

SUZUKI

PARTS CATALOGUE

FOR YOUR MARKET
RV50

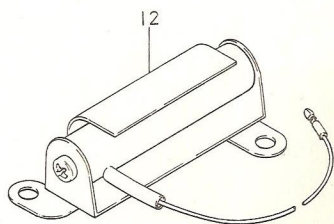
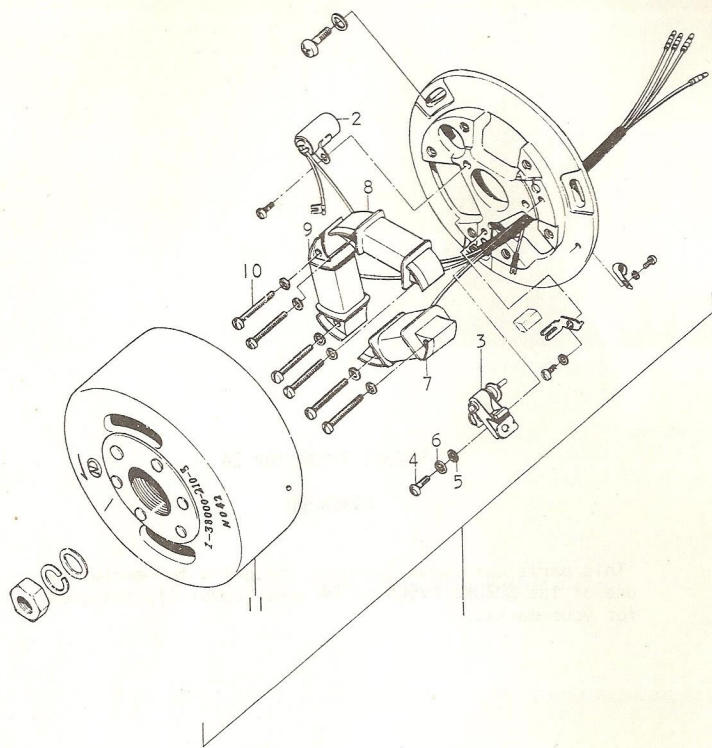
(E4·E18·E19·E21·E22·E24·E28)

*This booklet should be filed in the first part of the standard (E-1 Spec.) parts catalogue RV50.

SUZUKI RV50M for E4

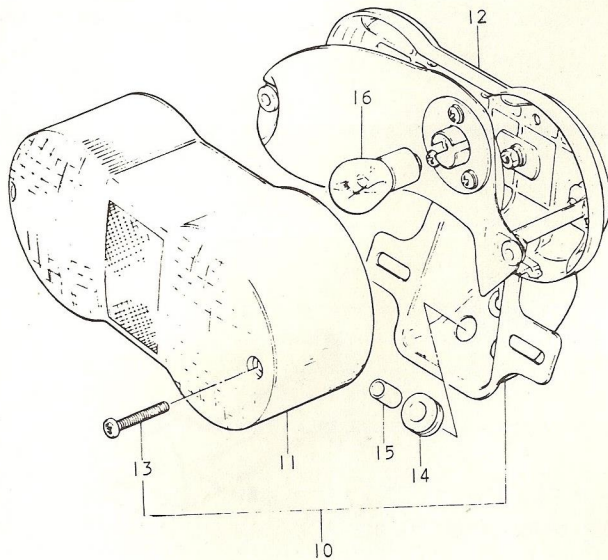
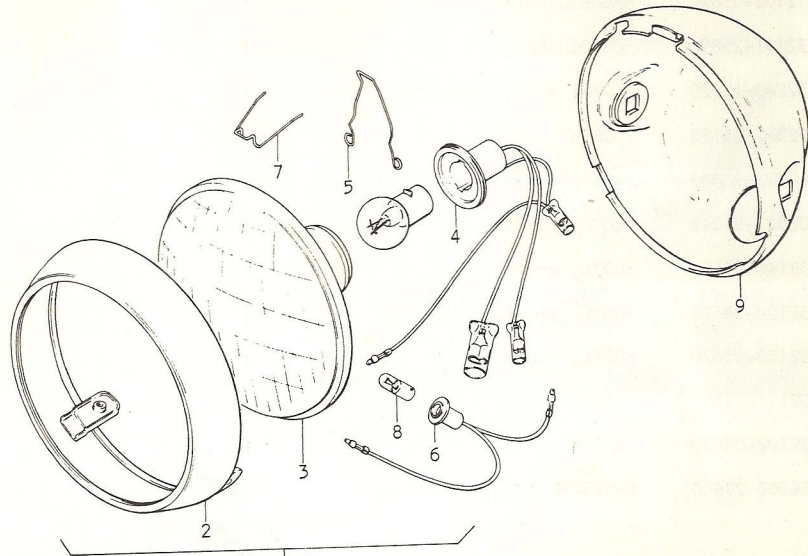
FOREWORD

This parts catalogue contains the parts for exclusive use of the SUZUKI RV50M of E4 spec. specially designed for your market.



Ref.No.	Part No.	Description	Q'ty	Remarks
1	32100-03620	MAGNETO ASSY	1	
2	32341-25690	•CONDENSER	1	
3	32240-12020	•POINT ASSY, contact	1	
4	02311-04128	•SCREW	1	
5	08322-21048	•WASHER	1	
6	08321-21048	•LOCK WASHER	1	
7	32140-03620	•COIL, primary	1	
8	32120-03620	•COIL, lighting (1)	1	
9	32130-03620	•COIL, lighting (2)	1	
10	02111-04308	•SCREW	6	
11	32102-03620	•ROTOR	1	
12	36500-27660	RESISTOR ASSY, city lamp	1	

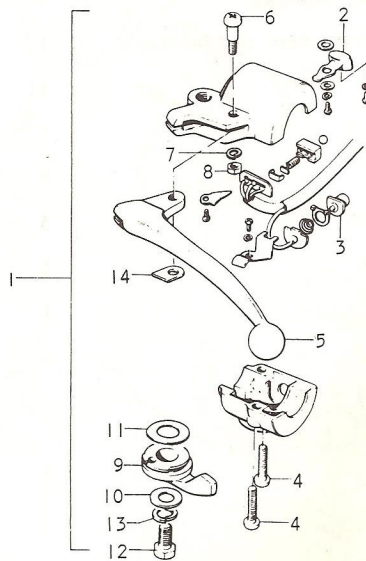
FOR YOUR MARKET (E4)



FOR YOUR MARKET (E4)

Ref.No.	Part No.	Description	Q'ty	Remarks
1	35100-27651	HEAD LAMP ASSY	1	
2	35111-28660	•RIM	1	
3	35121-27650	•UNIT	1	
4	35171-18650	•SOCKET	1	
5	35172-28660	•CLAMP	1	
6	36118-28660	•SOCKET, parking bulb	1	
7	35128-28660	•CLAMP	1	
8	09471-06027	•BULB	1	6V, 4W
9	51810-28610-797	HOUSING, headlamp	1	
10	35710-27671	LAMP ASSY, rear combination	1	
11	35712-27690	•LENS	1	
12	35715-27691	•HOUSING	1	
13	02113-04208	•SCREW	2	
14	35765-15010	•CUSHION	3	
15	35766-15010	•SPACER	3	
16	09471-06034	•BULB	1	6V, 21/5W

FOR YOUR MARKET (E4)



FOR YOUR MARKET (E4)

Ref.No.	Part No.	Description	Q'ty	Remarks
1	57500-08412	CLUTCH LEVER & SWITCH ASSY	1	
2	57521-08412	•KNOB, dimmer switch	1	
3	57370-01311	•BUTTON, horn	1	
4	09125-05105	•SCREW	2	
5	57621-27210	•LEVER	1	
6	57431-01011	•SCREW	1	
7	08321-21058	•LOCK WASHER	1	
8	08311-11058	•NUT	1	
9	58721-25611	•LEVER, starter	1	
10	58722-03010	•WASHER	1	
11	58723-03010	•WASHER	1	
12	01112-06128	•BOLT	1	
13	08321-21068	•LOCK WASHER	1	
14	57435-20010	•SPACER	1	

Part No. Part Name

Part No. Part Name

1	1440-0000	1
2	1440-0001	1
3	1440-0002	1
4	1440-0003	1
5	1440-0004	1
6	1440-0005	1
7	1440-0006	1
8	1440-0007	1
9	1440-0008	1
10	1440-0009	1
11	1440-0010	1
12	1440-0011	1
13	1440-0012	1
14	1440-0013	1
15	1440-0014	1
16	1440-0015	1
17	1440-0016	1
18	1440-0017	1
19	1440-0018	1
20	1440-0019	1
21	1440-0020	1
22	1440-0021	1
23	1440-0022	1
24	1440-0023	1
25	1440-0024	1
26	1440-0025	1
27	1440-0026	1
28	1440-0027	1
29	1440-0028	1
30	1440-0029	1
31	1440-0030	1
32	1440-0031	1
33	1440-0032	1
34	1440-0033	1
35	1440-0034	1
36	1440-0035	1
37	1440-0036	1
38	1440-0037	1
39	1440-0038	1
40	1440-0039	1
41	1440-0040	1
42	1440-0041	1
43	1440-0042	1
44	1440-0043	1
45	1440-0044	1
46	1440-0045	1
47	1440-0046	1
48	1440-0047	1
49	1440-0048	1
50	1440-0049	1
51	1440-0050	1
52	1440-0051	1
53	1440-0052	1
54	1440-0053	1
55	1440-0054	1
56	1440-0055	1
57	1440-0056	1
58	1440-0057	1
59	1440-0058	1
60	1440-0059	1
61	1440-0060	1
62	1440-0061	1
63	1440-0062	1
64	1440-0063	1
65	1440-0064	1
66	1440-0065	1
67	1440-0066	1
68	1440-0067	1
69	1440-0068	1
70	1440-0069	1
71	1440-0070	1
72	1440-0071	1
73	1440-0072	1
74	1440-0073	1
75	1440-0074	1
76	1440-0075	1
77	1440-0076	1
78	1440-0077	1
79	1440-0078	1
80	1440-0079	1
81	1440-0080	1
82	1440-0081	1
83	1440-0082	1
84	1440-0083	1
85	1440-0084	1
86	1440-0085	1
87	1440-0086	1
88	1440-0087	1
89	1440-0088	1
90	1440-0089	1
91	1440-0090	1
92	1440-0091	1
93	1440-0092	1
94	1440-0093	1
95	1440-0094	1
96	1440-0095	1
97	1440-0096	1
98	1440-0097	1
99	1440-0098	1
100	1440-0099	1
101	1440-0100	1

1	1440-0000	1
2	1440-0001	1
3	1440-0002	1
4	1440-0003	1
5	1440-0004	1
6	1440-0005	1
7	1440-0006	1
8	1440-0007	1
9	1440-0008	1
10	1440-0009	1
11	1440-0010	1
12	1440-0011	1
13	1440-0012	1
14	1440-0013	1
15	1440-0014	1
16	1440-0015	1
17	1440-0016	1
18	1440-0017	1
19	1440-0018	1
20	1440-0019	1
21	1440-0020	1
22	1440-0021	1
23	1440-0022	1
24	1440-0023	1
25	1440-0024	1
26	1440-0025	1
27	1440-0026	1
28	1440-0027	1
29	1440-0028	1
30	1440-0029	1
31	1440-0030	1
32	1440-0031	1
33	1440-0032	1
34	1440-0033	1
35	1440-0034	1
36	1440-0035	1
37	1440-0036	1
38	1440-0037	1
39	1440-0038	1
40	1440-0039	1
41	1440-0040	1
42	1440-0041	1
43	1440-0042	1
44	1440-0043	1
45	1440-0044	1
46	1440-0045	1
47	1440-0046	1
48	1440-0047	1
49	1440-0048	1
50	1440-0049	1
51	1440-0050	1
52	1440-0051	1
53	1440-0052	1
54	1440-0053	1
55	1440-0054	1
56	1440-0055	1
57	1440-0056	1
58	1440-0057	1
59	1440-0058	1
60	1440-0059	1
61	1440-0060	1
62	1440-0061	1
63	1440-0062	1
64	1440-0063	1
65	1440-0064	1
66	1440-0065	1
67	1440-0066	1
68	1440-0067	1
69	1440-0068	1
70	1440-0069	1
71	1440-0070	1
72	1440-0071	1
73	1440-0072	1
74	1440-0073	1
75	1440-0074	1
76	1440-0075	1
77	1440-0076	1
78	1440-0077	1
79	1440-0078	1
80	1440-0079	1
81	1440-0080	1
82	1440-0081	1
83	1440-0082	1
84	1440-0083	1
85	1440-0084	1
86	1440-0085	1
87	1440-0086	1
88	1440-0087	1
89	1440-0088	1
90	1440-0089	1
91	1440-0090	1
92	1440-0091	1
93	1440-0092	1
94	1440-0093	1
95	1440-0094	1
96	1440-0095	1
97	1440-0096	1
98	1440-0097	1
99	1440-0098	1
100	1440-0099	1
101	1440-0100	1

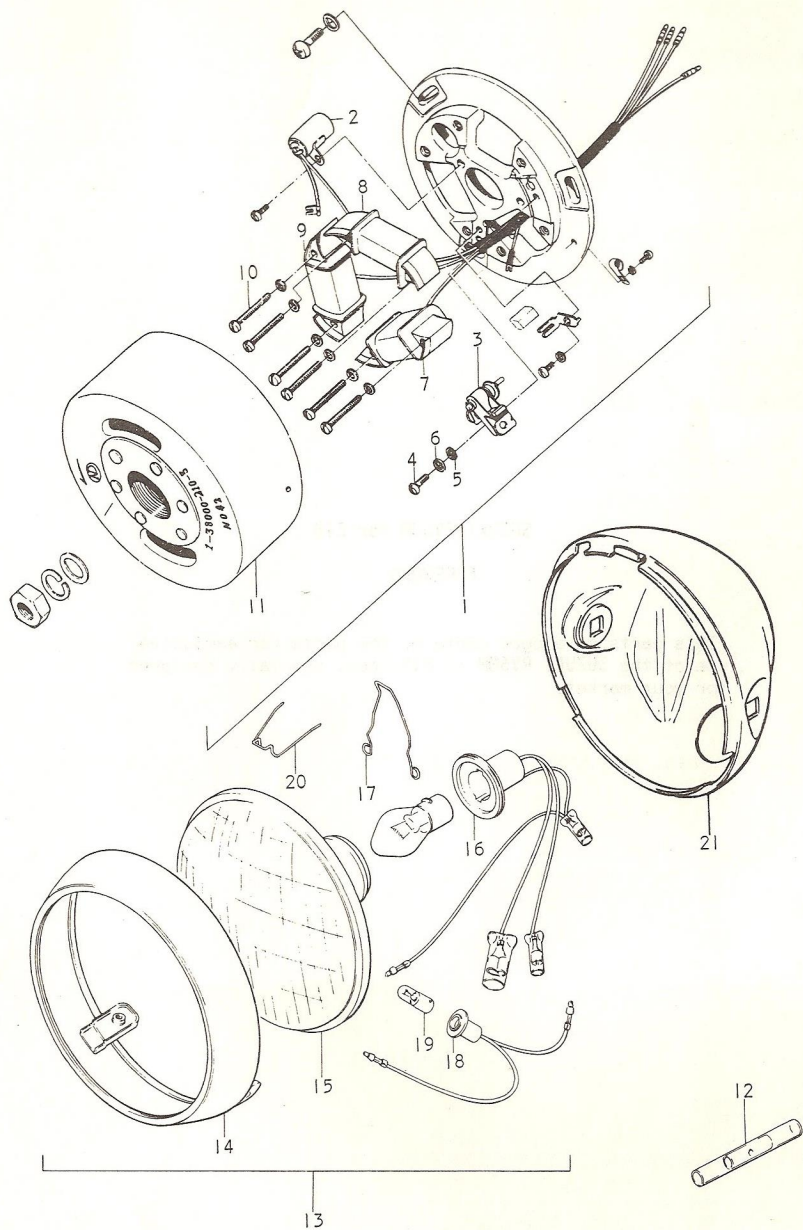
SUZUKI RV50M for E18

FOREWORD

This parts catalogue contains the parts for exclusive use of the SUZUKI RV50M of E18 spec. specially designed for your market.

FOR YOUR MARKET (E18)

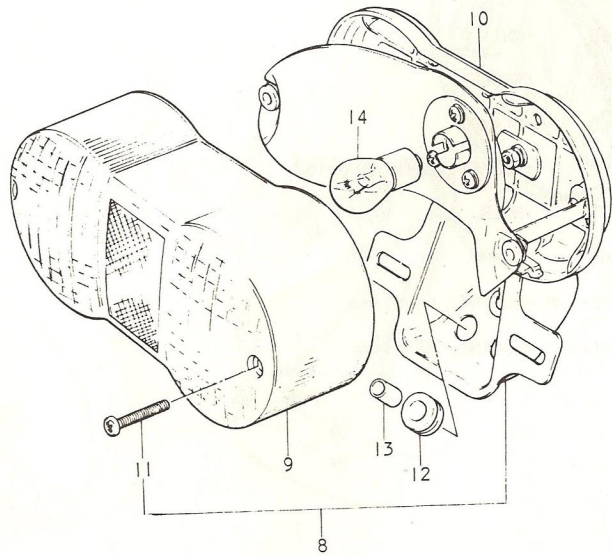
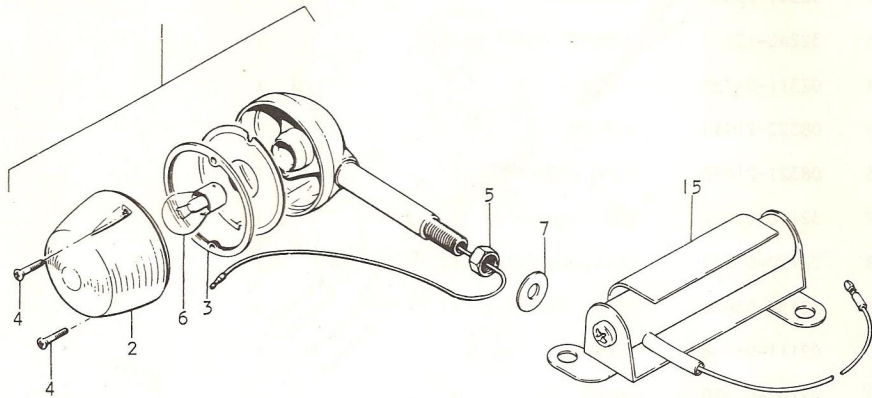
FOR YOUR MARKET (E18)



FOR YOUR MARKET (E18)

Ref.No.	Part No.	Description	Q'ty	Remarks
1	32100-03620	MAGNETO ASSY	1	
2	32341-25690	•CONDENSER	1	
3	32240-12020	•CONTACT POINT ASSY	1	
4	02311-04128	•SCREW	1	
5	08322-21048	•WASHER	1	
6	08321-21048	•LOCK WASHER	1	
7	32140-03620	•COIL, primary	1	
8	32120-03620	•COIL, lighting (1)	1	
9	32130-03620	•COIL, lighting (2)	1	
10	02111-04308	•SCREW	6	
11	32102-03620	•ROTOR	1	
12	37132-03000	CONNECTOR, magneto lead wire	2	
13	35100-28660	HEADLAMP ASSY	1	
14	35111-28660	•RIM	1	
15	35121-28660	•UNIT	1	
16	35171-28660	•SOCKET	1	
17	35172-28660	•CLAMP	1	
18	36118-28660	•SOCKET, parking bulb	1	
19	09471-06027	•BULB	1	6V, 4W
20	35128-28660	•CLAMP	1	
21-1	51810-28610-778	HOUSING, headlamp	1	
21-2	51810-28610-797	HOUSING, headlamp	1	

FOR YOUR MARKET (E18)



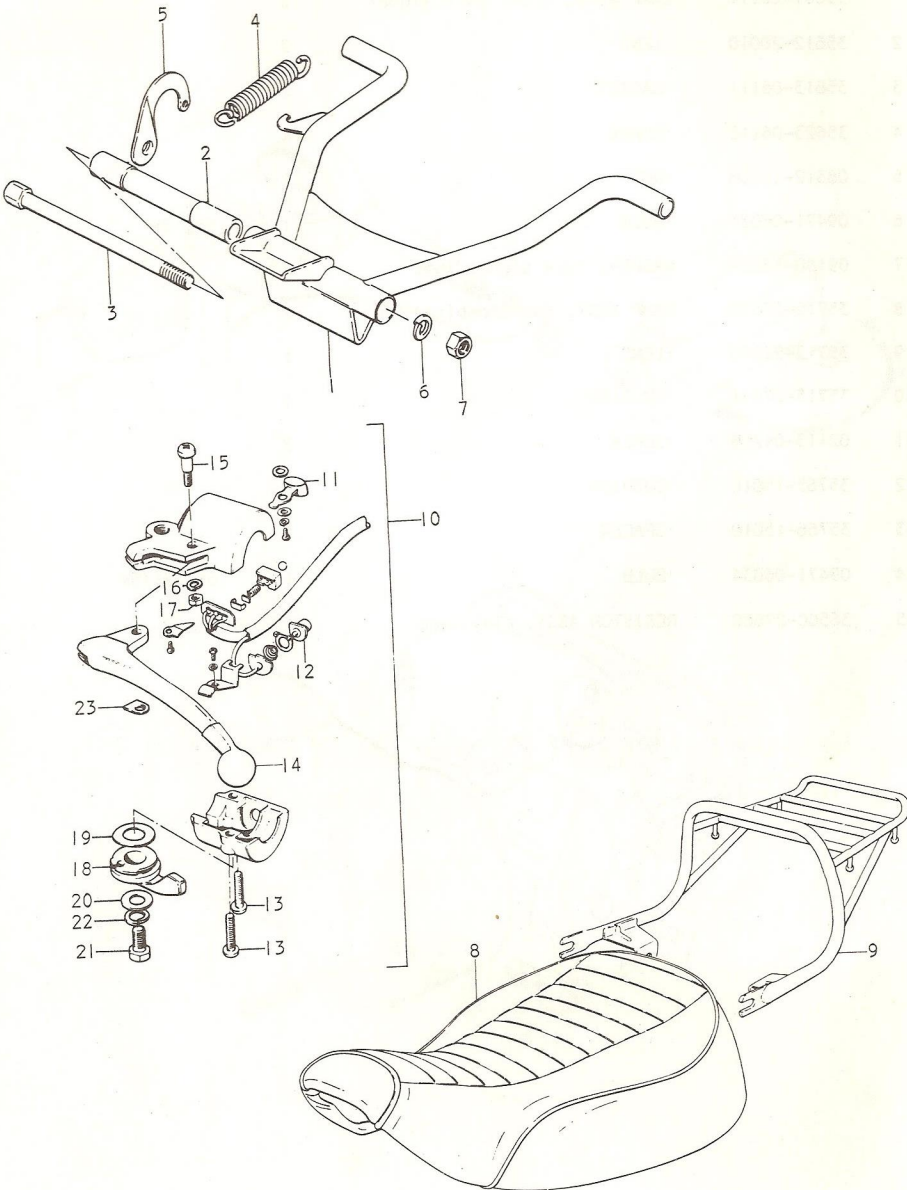
FOR YOUR MARKET (E18)

Ref.No.	Part No.	Description	Q'ty	Remarks
1	35601-20111	LAMP ASSY, front turn signal	2	
2	35612-20010	•LENS	2	
3	35613-06111	•GASKET	2	
4	35623-06110	•SCREW	4	
5	08312-31108	•NUT	2	
6	09471-06021	•BULB	1	6V, 8W
7	09160-10037	WASHER, turn signal lamp	2	
8	35710-27670	LAMP ASSY, rear combination	1	
9	35712-27690	•LENS	1	
10	35715-27691	•HOUSING	1	
11	02113-04208	•SCREW	2	
12	35765-15010	•CUSHION	3	
13	35766-15010	•SPACER	3	
14	09471-06034	•BULB	1	6V, 21/5W
15	36500-27660	RESISTOR ASSY, city lamp	1	

FOR YOUR MARKET (E18)

FOR YOUR MARKET (E18)

Ref.No.	Part No.	Description	Q'ty	Remarks
1	42100-27200	STAND, center	1	
2	42211-27200	SPACER	1	
3	09100-10088	BOLT	1	
4	09443-16002	SPRING	1	
5	42251-03002	HOOK	1	
6	08321-21108	LOCK WASHER	1	
7	08312-11108	NUT	1	
8	45100-27501-403	SEAT ASSY	1	
9	46310-27400	CARRIER, sport	1	
10	57500-08412	CLUTCH LEVER & SWITCH ASSY	1	
11	57521-08412	•KNOB, dimmer switch	1	
12	57370-01311	•BUTTON, horn	1	
13	09125-05105	•SCREW	2	
14	57621-27210	•LEVER	1	
15	57431-01011	•SCREW	1	
16	08321-21058	•LOCK WASHER	1	
17	08311-11058	•NUT	1	
18	58721-25611	•LEVER, starter	1	
19	58722-03010	•WASHER	1	
20	58723-03010	•WASHER	1	
21	01112-06128	•BOLT	1	
22	08321-21068	•LOCK WASHER	1	
23	57435-20010	•SPACER	1	



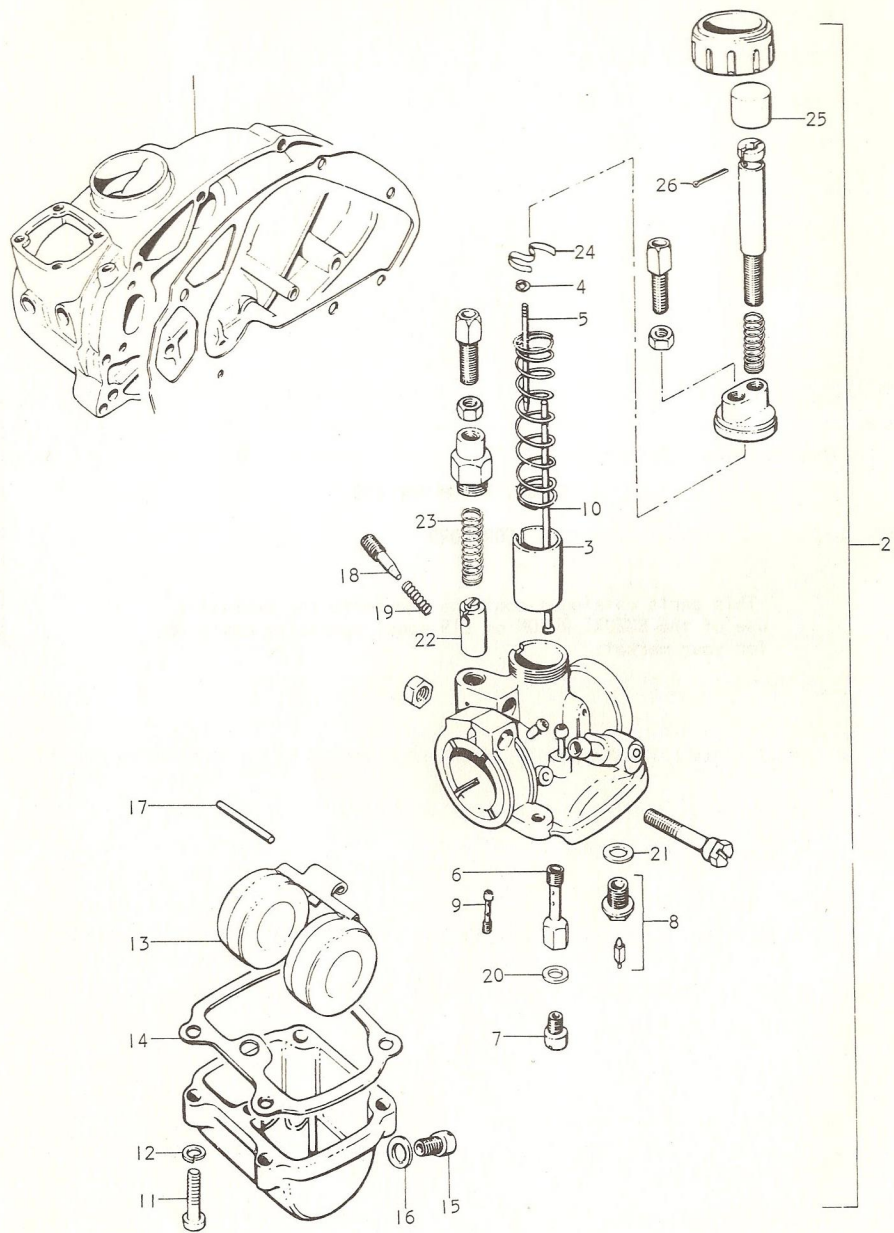
SUZUKI RV50M for E19

FOREWORD

This parts catalogue contains the parts for exclusive use of the SUZUKI RV50M of E19 spec. specially designed for your market.

FOR YOUR MARKET (E19)

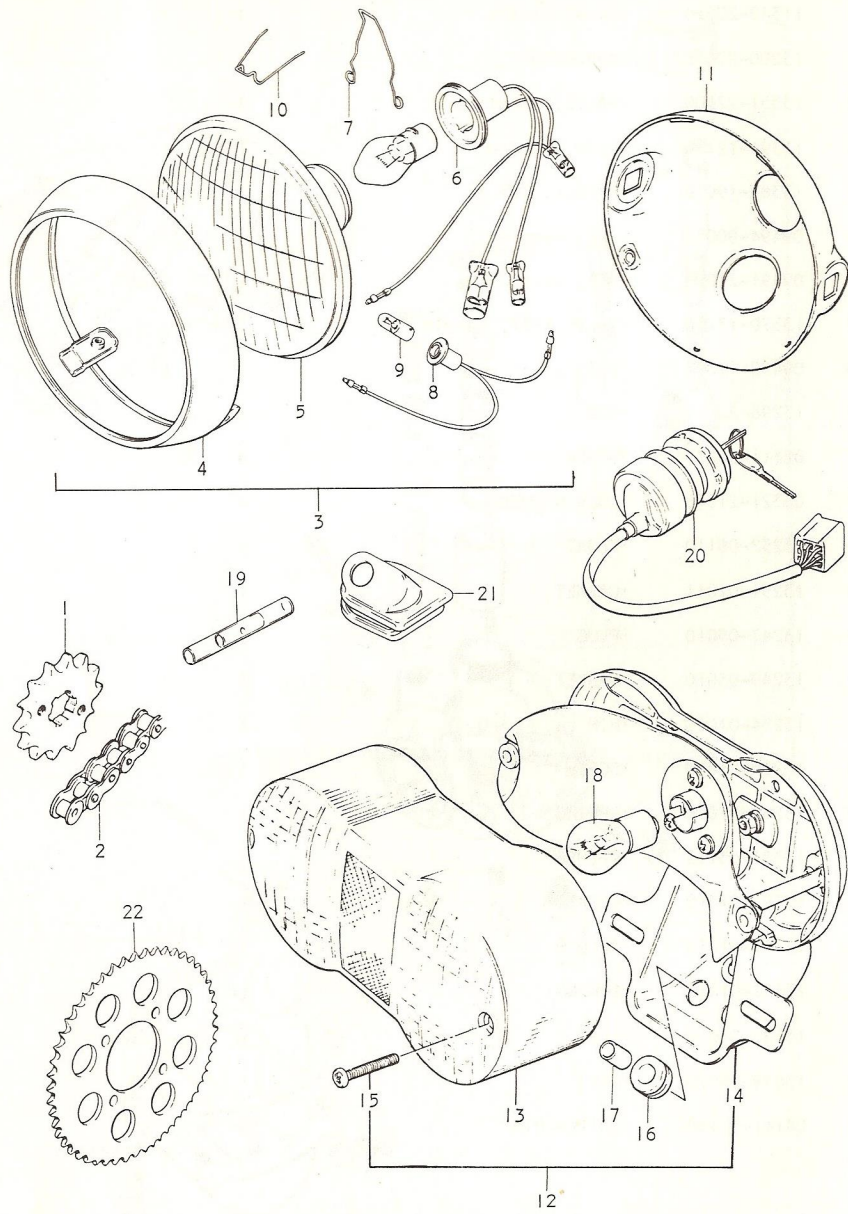
FOR YOUR MARKET (E19)



FOR YOUR MARKET (E19)

Ref.No.	Part No.	Description	Q'ty	Remarks
1	11340-22610	COVER, clutch	1	
2	13200-27610	CARBURETOR	1	
3	13551-22600	•VALVE, throttle	1	
4	13394-12110	•CLIP, needle	1	
5	13383-19010	•NEEDLE, jet	1	
6	09494-00057	•JET, needle	1	
7	09491-21003	•JET, main	1	#105
8	13370-13110	•VALVE ASSY, needle	1	
9	09492-17002	•JET, pilot	1	#17.5
10	13296-22600	•ROD	1	
11	02111-04207	•SCREW	4	
12	08321-21048	•LOCK WASHER	4	
13	13252-06110	•FLOAT	1	
14	13251-01011	•GASKET	1	
15	13247-05010	•PLUG	1	
16	13249-05010	•GASKET	1	
17	13254-01010	•PIN	1	
18	13269-01010	•SCREW	1	
19	13268-01010	•SPRING	1	
20	13382-03110	•WASHER	1	
21	13392-01010	•GASKET	1	
22	13411-01010	•BULB	1	
23	13417-01010	•SPRING	1	
24	13581-01010	•SEAT	1	
25	13688-08010	•CAP	1	
26	04111-12108	•COTTER PIN	1	

FOR YOUR MARKET (E19)



FOR YOUR MARKET (E19)

Ref.No.	Part No.	Description	Q'ty	Remarks
1	27511-19000	SPROCKET, engine	1	NT:13
2	27600-05011	CHAIN ASSY, drive	1	
3	35100-22650	HEADLAMP ASSY	1	
4	35111-28660	·RIM	1	
5	35121-22650	·UNIT	1	
6	35171-28660	·SOCKET	1	
7	35172-28660	·CLAMP	1	
8	36118-28660	·SOCKET, parking bulb	1	
9	09471-06027	·BULB	1	
10	35128-28660	·CLAMP	1	
11-1	51810-28610-778	HOUSING, headlamp	1	
11-2	51810-28610-797	HOUSING, headlamp	1	
12	35710-27670	LAMP ASSY, rear combination	1	
13	35712-27690	·LENS	1	
14	35715-27691	·HOUSING	1	
15	02113-04208	·SCREW	2	
16	35765-15010	·CUSHION	3	
17	35766-15010	·SPACER	3	
18	09471-06034	·BULB	1	6V, 21/5W
19	37132-03000	CONNECTOR, magneto lead wire	2	
20	37110-35620	SWITCH ASSY, ignition	1	
21	09309-07005	GROMMET, fuel hose	1	
22	64511-27600	SPROCKET	1	

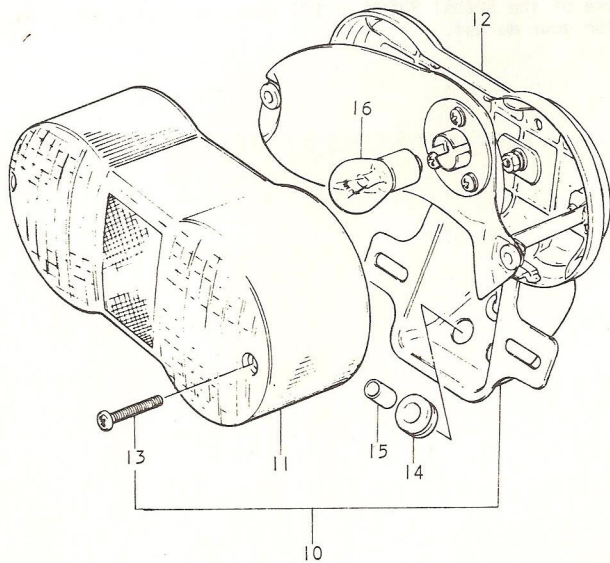
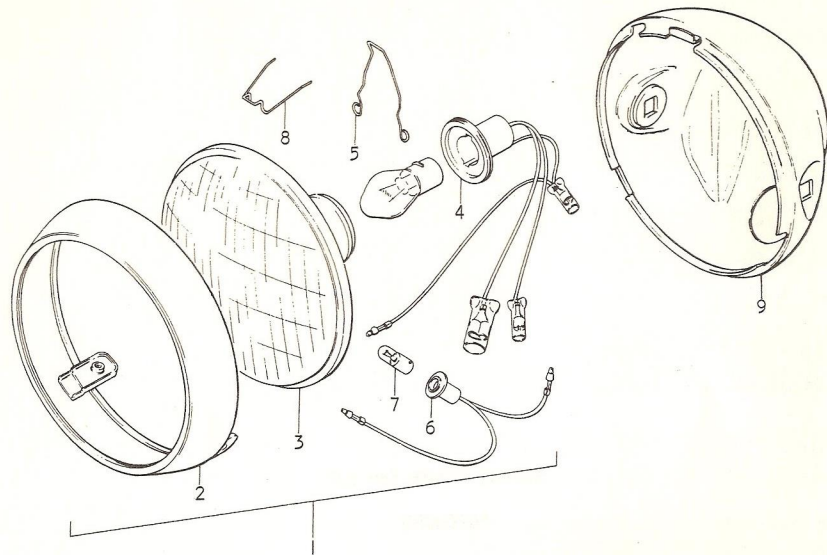
SUZUKI RV50M for E21

FOREWORD

This parts catalogue contains the parts for exclusive use of the SUZUKI RV50M of E21 spec. specially designed for your market.

FOR YOUR MARKET (E21)

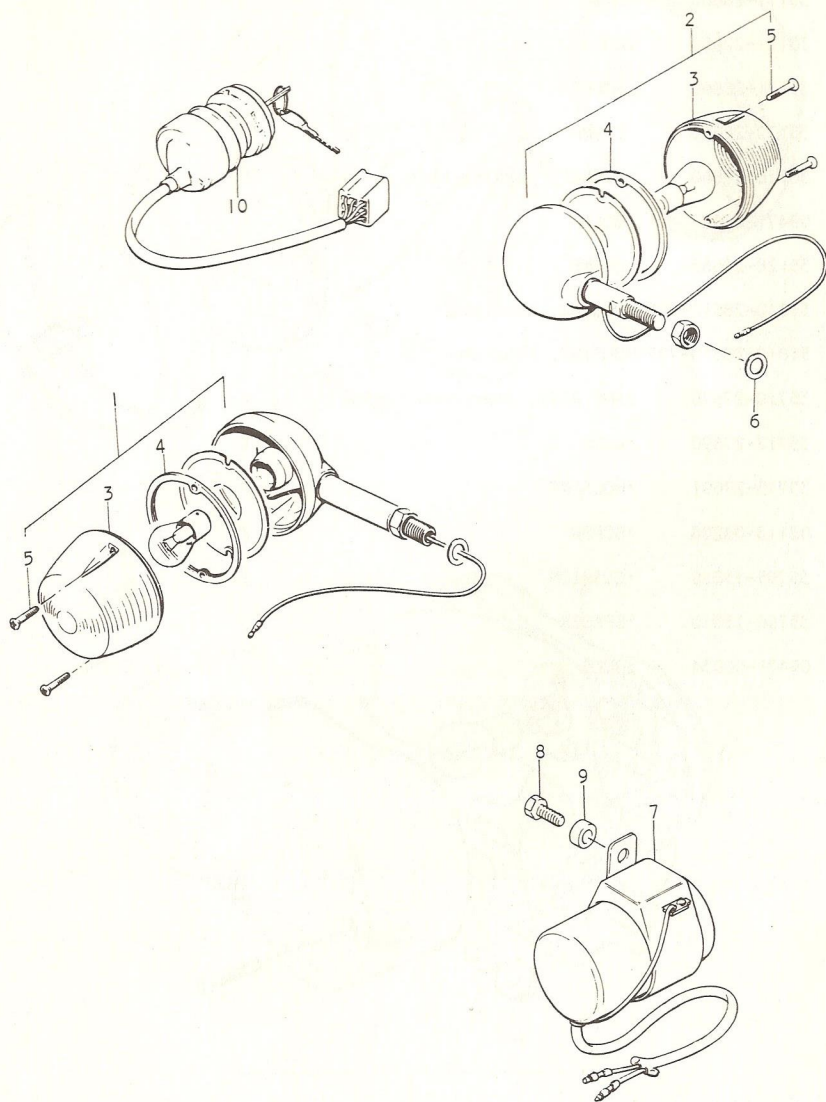
FOR YOUR MARKET (E21)



FOR YOUR MARKET (E21)

Ref.No.	Part No.	Description	Q'ty	Remarks
1	35100-22650	HEADLAMP ASSY	1	
2	35111-28660	•RIM	1	
3	35121-22650	•UNIT	1	
4	35171-28660	•SOCKET	1	
5	35172-28660	•CLAMP	1	
6	36118-28660	•SOCKET, parking bulb	1	
7	09471-06027	•BULB	1	
8	35128-28660	•CLAMP	1	
9-1	51810-28610-778	HOUSING, headlamp	1	
9-2	51810-28610-797	HOUSING, headlamp	1	
10	35710-27670	LAMP ASSY, rear combination	1	
11	35712-27690	•LENS	1	
12	35715-27691	•HOUSING	1	
13	02113-04208	•SCREW	2	
14	35765-15010	•CUSHION	3	
15	35766-15010	•SPACER	3	
16	09471-06034	•BULB	1	6V, 21/5W

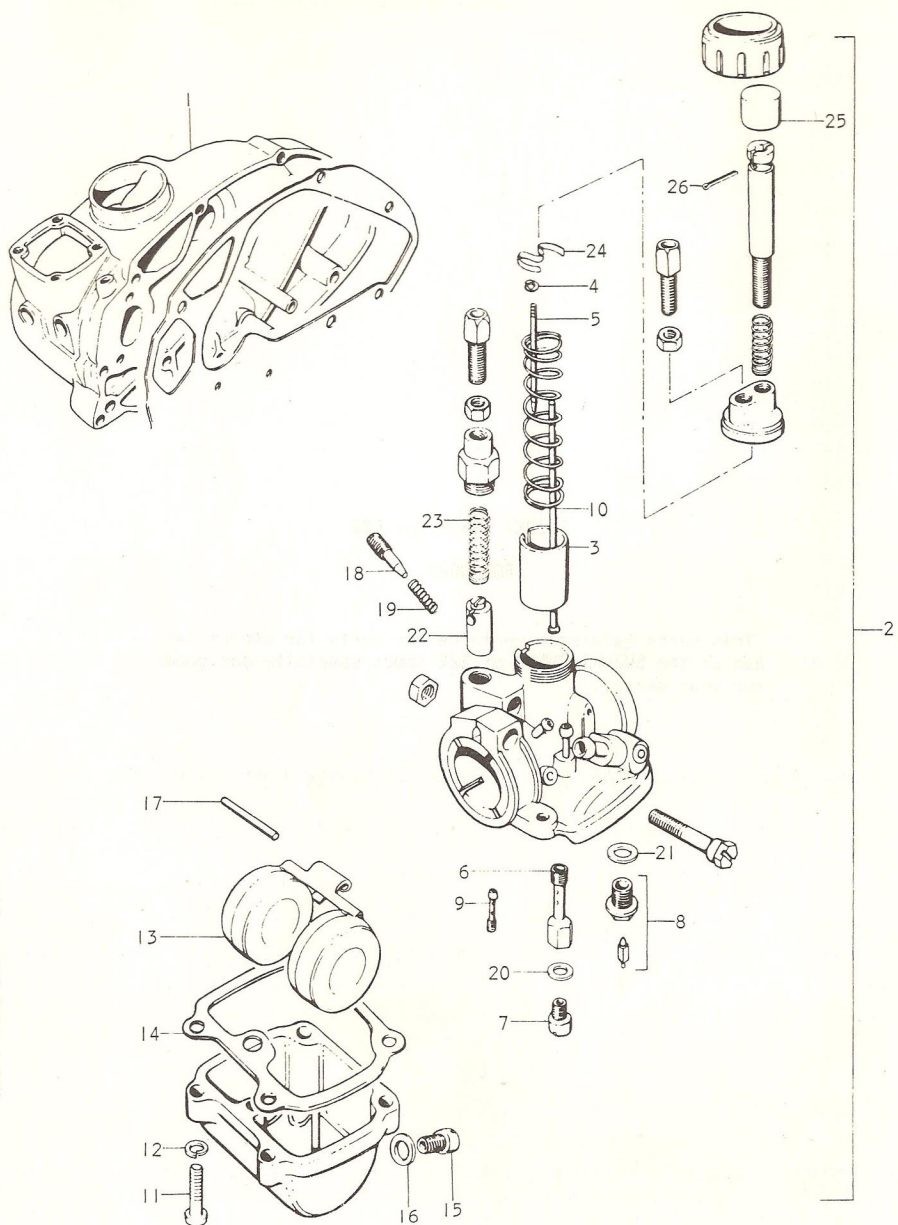
FOR YOUR MARKET (E21)



FOR YOUR MARKET (E21)

Ref.No.	Part No.	Description	Q'ty	Remarks
1	35601-27660	LAMP ASSY, front turn signal	2	
2	35603-27660	LAMP ASSY, rear turn signal	2	
3	35612-12611	•LENS	4	
4	35613-03610	•GASKET	4	
5	02133-03167	•SCREW	8	
6	09160-10033	WASHER, rear turn signal lamp	1	
7	38610-27650	RELAY ASSY, turn signal	1	
8	01112-06168	BOLT	1	
9	09180-06010	SPACER	1	
10	37110-35620	SWITCH ASSY, ignition	1	

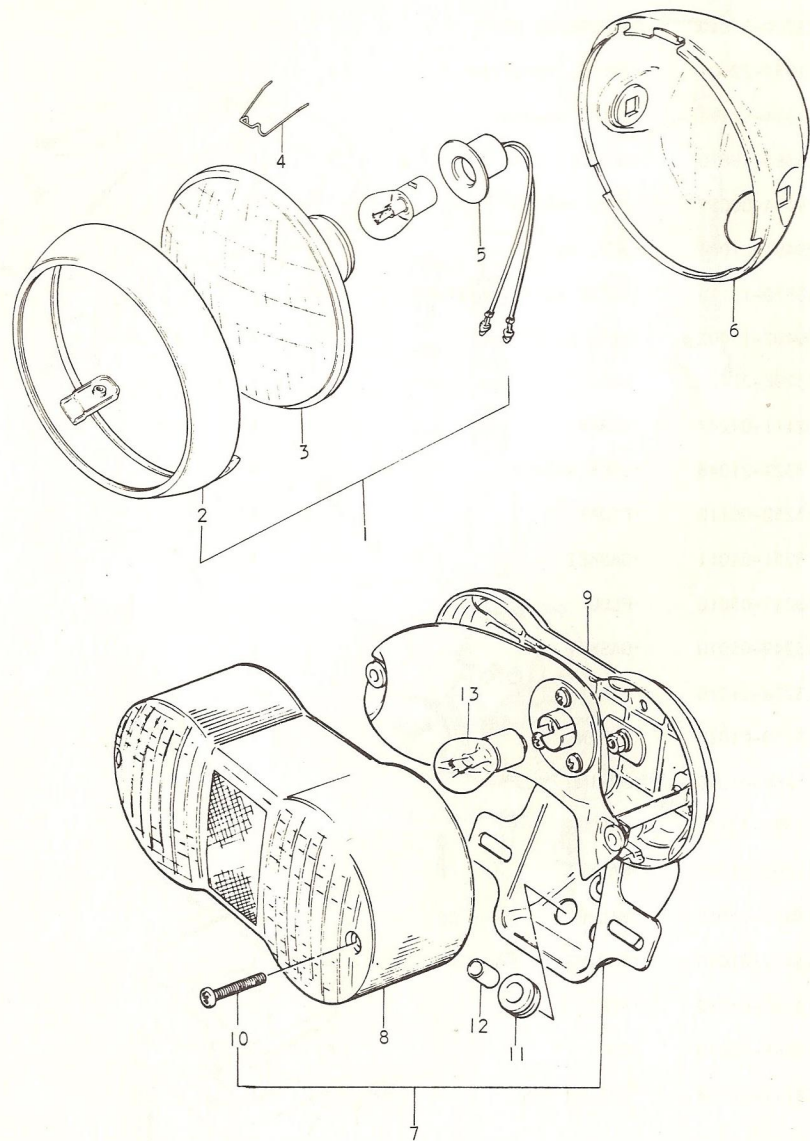
FOR YOUR MARKET (E22)



FOR YOUR MARKET (E22)

Ref.No.	Part No.	Description	Q'ty	Remarks
1	11340-22610	COVER, clutch	1	
2	13200-27610	CARBURETOR ASSY	1	
3	13551-22600	VALVE, throttle	1	
4	13394-12110	CLIP, needle	1	
5	13383-19010	NEEDLE, jet	1	
6	09494-00057	JET, needle	1	
7	09491-21003	JET, main	1	#105
8	13370-13110	VALVE ASSY, needle	1	
9	09492-17002	JET, pilot	1	#17.5
10	13296-22600	ROD	1	
11	02111-04207	SCREW	4	
12	08321-21048	LOCK WASHER	4	
13	13252-06110	FLOAT	1	
14	13251-01011	GASKET	1	
15	13247-05010	PLUG	1	
16	13249-05010	GASKET	1	
17	13254-01010	PIN	1	
18	13269-01010	SCREW	1	
19	13268-01010	SPRING	1	
20	13382-03110	WASHER	1	
21	13392-01010	GASKET	1	
22	13411-01010	VALVE	1	
23	13417-01010	SPRING	1	
24	13581-01010	SEAT	1	
25	13688-08010	CAP	1	
26	04111-12108	COTTER PIN	1	

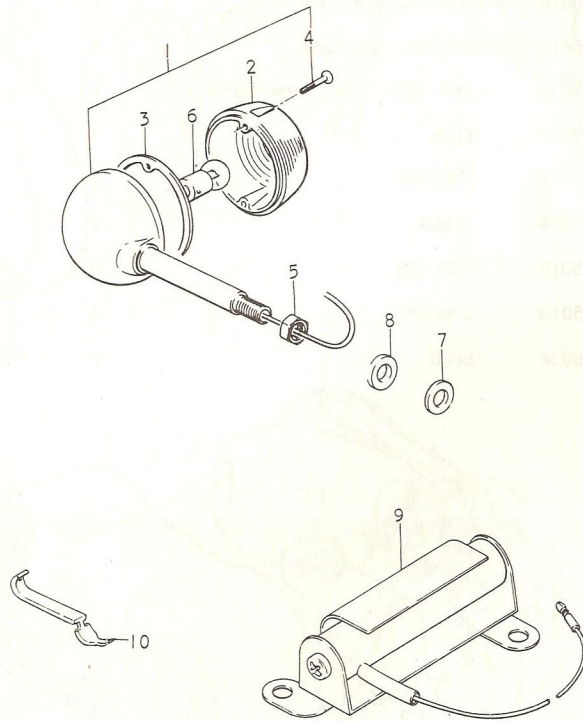
FOR YOUR MARKET (E22)



FOR YOUR MARKET (E22)

Ref.No.	Part No.	Description	Q'ty	Remarks
1	35100-27660	HEAD LAMP ASSY	1	
2	35111-27660	•RIM	1	
3	35121-27660	•UNIT	1	
4	35128-27660	•SPRING	3	
5	35171-27660	•CORD	1	
6-1	51810-28610-778	HOUSING, headlamp	1	
6-2	51810-28610-797	HOUSING, headlamp	1	
7	35710-27670	LAMP ASSY, rear combination	1	
8	35712-27690	•LENS	1	
9	35715-27691	•HOUSING	1	
10	02113-04208	•SCREW	2	
11	35765-15010	•CUSHION	3	
12	35766-15010	•SPACER	3	
13	09471-06034	•BULB	1	5V, 21/5W

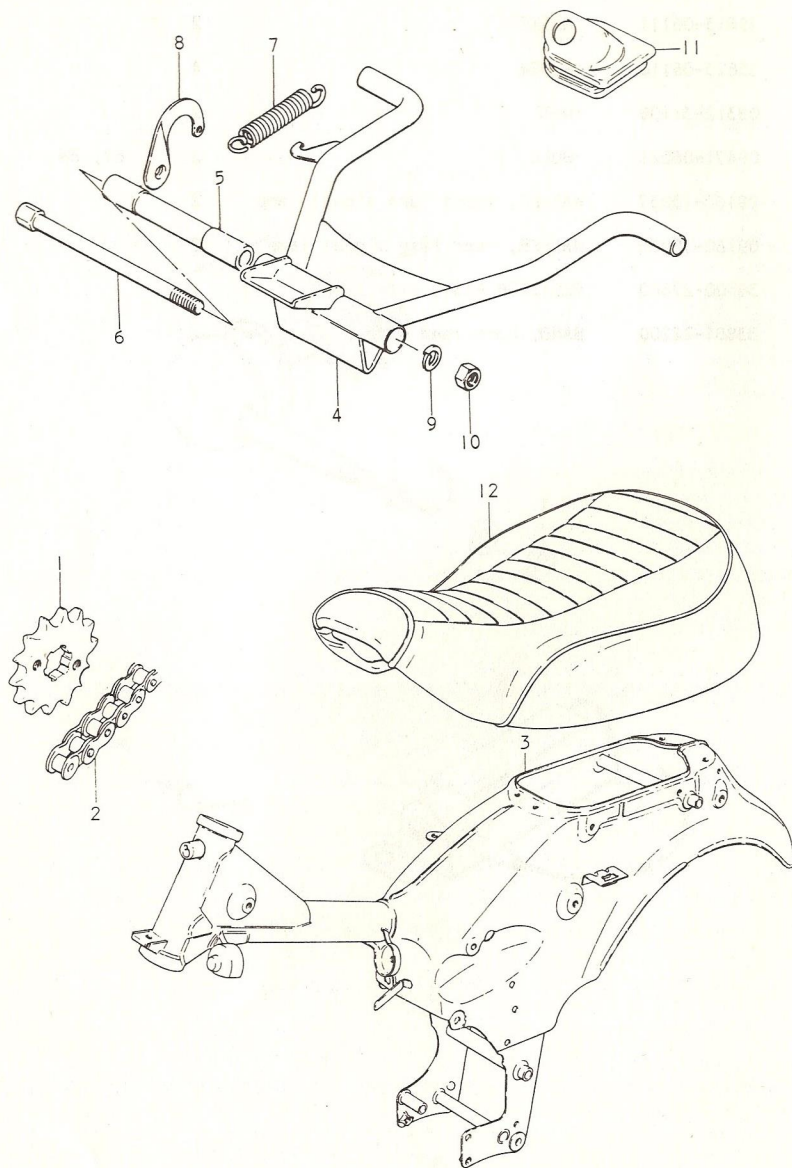
FOR YOUR MARKET (E22)



FOR YOUR MARKET (E22)

Ref.No.	Part No.	Description	Q'ty	Remarks
1	35601-20111	LAMP ASSY, front turn signal	2	
2	35612-20010	·LENS	2	
3	35613-06111	·GASKET	2	
4	35623-06110	·SCREW	4	
5	08312-31108	·NUT	2	
6	09471-06021	·BULB	2	6V, 8W
7	09160-10037	WASHER, front turn signal lamp	2	
8	09160-10033	WASHER, rear turn signal lamp	2	
9	36500-27660	RESISTOR ASSY, city lamp	1	
10	33881-22200	BAND, horn lead wire	1	

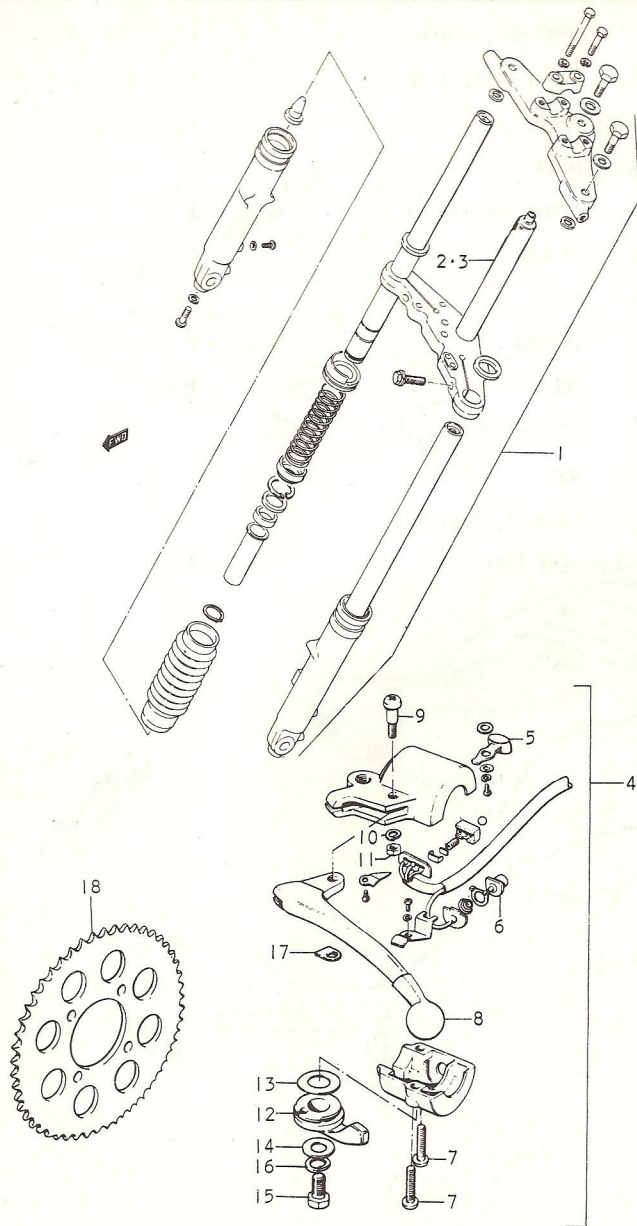
FOR YOUR MARKET (E22)



FOR YOUR MARKET (E22)

Ref.No.	Part No.	Description	Q'ty	Remarks
1	27511-19000	SPROCKET, engine	1	NT:13
2	27600-05011	CHAIN ASSY, drive	1	
3-1	41100-27650-778	FRAME	1	
3-2	41100-27650-798	FRAME	1	
4	42100-27200	STAND, center	1	
5	42211-27200	SPACER	1	
6	09100-10088	BOLT	1	
7	09443-16002	SPRING	1	
8	42251-03002	HOOK	1	
9	08321-21108	LOCK WASHER	1	
10	08312-11108	NUT	1	
11	09309-07005	GROMMET, fuel hose	1	
12	45100-27501-403	SEAT ASSY	1	

FOR YOUR MARKET (E22)



FOR YOUR MARKET (E22)

Ref.No.	Part No.	Description	Q'ty	Remarks
1	51106-27730	FORK ASSY, sub	1	
2	51410-27730	•STEM, steering	1	
3	51410-27740	•STEM, steering	1	
4	57500-08412	CLUTCH LEVER & SWITCH ASSY	1	
5	57521-08412	•KNOB, dimmer switch	1	
6	57370-01311	•BUTTON, horn	1	
7	09125-05105	•SCREW	2	
8	57621-27210	•LEVER	1	
9	57431-01011	•SCREW	1	
10	08321-21058	•LOCK WASHER	1	
11	08311-11058	•NUT	1	
12	58721-25611	•LEVER, starter	1	
13	58722-03010	•WASHER	1	
14	58723-03010	•WASHER	1	
15	01112-06128	•BOLT	1	
16	08321-21068	•LOCK WASHER	1	
17	57435-20010	•SPACER	1	
18	64511-27600	SPROCKET, rear	1	

Part No. Description

Part No. Description

1	ENGINE	0100-0100
2	CLUTCH	0100-0101
3	CRANKCASE	0100-0102
4	VALVE	0100-0103
5	PISTON	0100-0104
6	ROCKER ARM	0100-0105
7	SPRINGER	0100-0106
8	VALVE	0100-0107
9	ROCKER ARM	0100-0108
10	SPRINGER	0100-0109
11	VALVE	0100-0110
12	ROCKER ARM	0100-0111
13	SPRINGER	0100-0112
14	VALVE	0100-0113
15	ROCKER ARM	0100-0114
16	SPRINGER	0100-0115
17	VALVE	0100-0116
18	ROCKER ARM	0100-0117
19	SPRINGER	0100-0118
20	VALVE	0100-0119
21	ROCKER ARM	0100-0120
22	SPRINGER	0100-0121
23	VALVE	0100-0122
24	ROCKER ARM	0100-0123
25	SPRINGER	0100-0124
26	VALVE	0100-0125
27	ROCKER ARM	0100-0126
28	SPRINGER	0100-0127
29	VALVE	0100-0128
30	ROCKER ARM	0100-0129
31	SPRINGER	0100-0130
32	VALVE	0100-0131
33	ROCKER ARM	0100-0132
34	SPRINGER	0100-0133
35	VALVE	0100-0134
36	ROCKER ARM	0100-0135
37	SPRINGER	0100-0136
38	VALVE	0100-0137
39	ROCKER ARM	0100-0138
40	SPRINGER	0100-0139
41	VALVE	0100-0140
42	ROCKER ARM	0100-0141
43	SPRINGER	0100-0142
44	VALVE	0100-0143
45	ROCKER ARM	0100-0144
46	SPRINGER	0100-0145
47	VALVE	0100-0146
48	ROCKER ARM	0100-0147
49	SPRINGER	0100-0148
50	VALVE	0100-0149
51	ROCKER ARM	0100-0150
52	SPRINGER	0100-0151
53	VALVE	0100-0152
54	ROCKER ARM	0100-0153
55	SPRINGER	0100-0154
56	VALVE	0100-0155
57	ROCKER ARM	0100-0156
58	SPRINGER	0100-0157
59	VALVE	0100-0158
60	ROCKER ARM	0100-0159
61	SPRINGER	0100-0160
62	VALVE	0100-0161
63	ROCKER ARM	0100-0162
64	SPRINGER	0100-0163
65	VALVE	0100-0164
66	ROCKER ARM	0100-0165
67	SPRINGER	0100-0166
68	VALVE	0100-0167
69	ROCKER ARM	0100-0168
70	SPRINGER	0100-0169
71	VALVE	0100-0170
72	ROCKER ARM	0100-0171
73	SPRINGER	0100-0172
74	VALVE	0100-0173
75	ROCKER ARM	0100-0174
76	SPRINGER	0100-0175
77	VALVE	0100-0176
78	ROCKER ARM	0100-0177
79	SPRINGER	0100-0178
80	VALVE	0100-0179
81	ROCKER ARM	0100-0180
82	SPRINGER	0100-0181
83	VALVE	0100-0182
84	ROCKER ARM	0100-0183
85	SPRINGER	0100-0184
86	VALVE	0100-0185
87	ROCKER ARM	0100-0186
88	SPRINGER	0100-0187
89	VALVE	0100-0188
90	ROCKER ARM	0100-0189
91	SPRINGER	0100-0190
92	VALVE	0100-0191
93	ROCKER ARM	0100-0192
94	SPRINGER	0100-0193
95	VALVE	0100-0194
96	ROCKER ARM	0100-0195
97	SPRINGER	0100-0196
98	VALVE	0100-0197
99	ROCKER ARM	0100-0198
100	SPRINGER	0100-0199

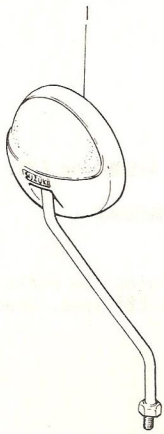
SUZUKI RV50M for E24

FOREWORD

This parts catalogue contains the parts for exclusive use of the SUZUKI RV50M of E24 spec. specially designed for your market.

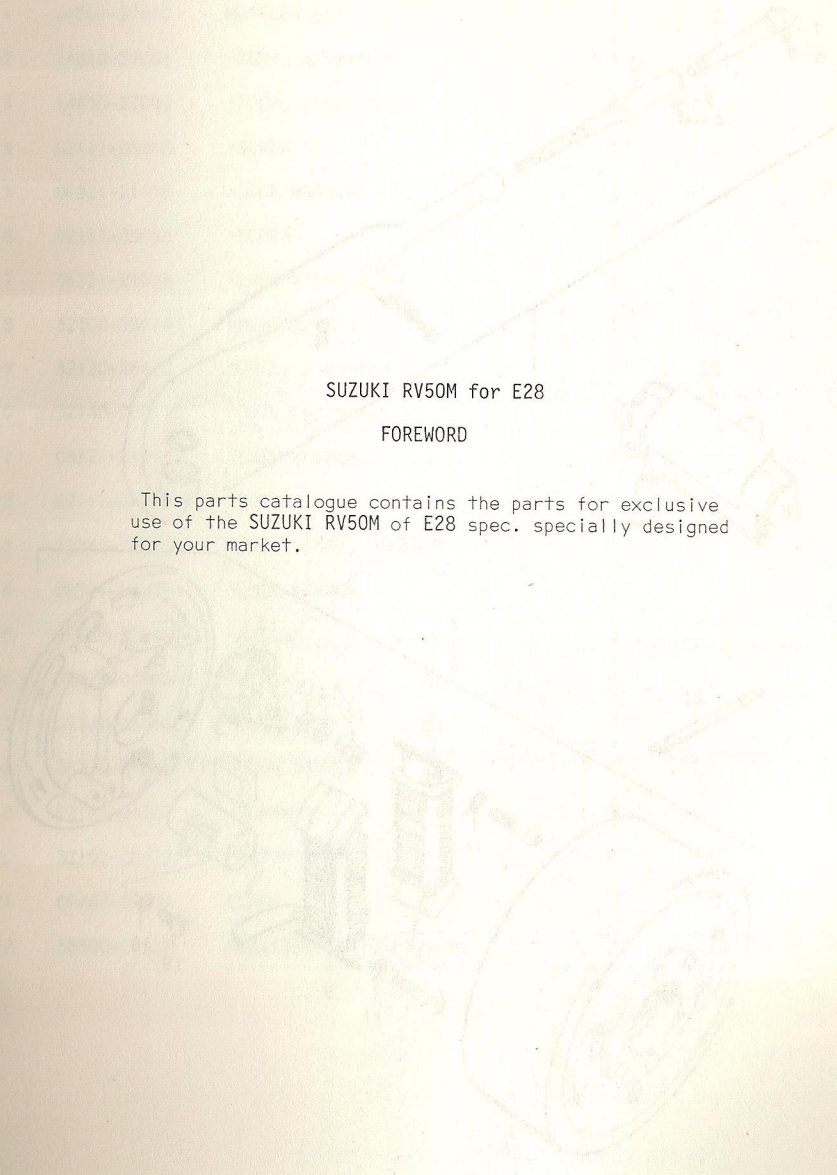
FOR YOUR MARKET (E24)

FOR YOUR MARKET (E24)



FOR YOUR MARKET (E24)

Ref.No.	Part No.	Description	Q'ty	Remarks
1	56500-35600	MIRROR ASSY, rear view	1	

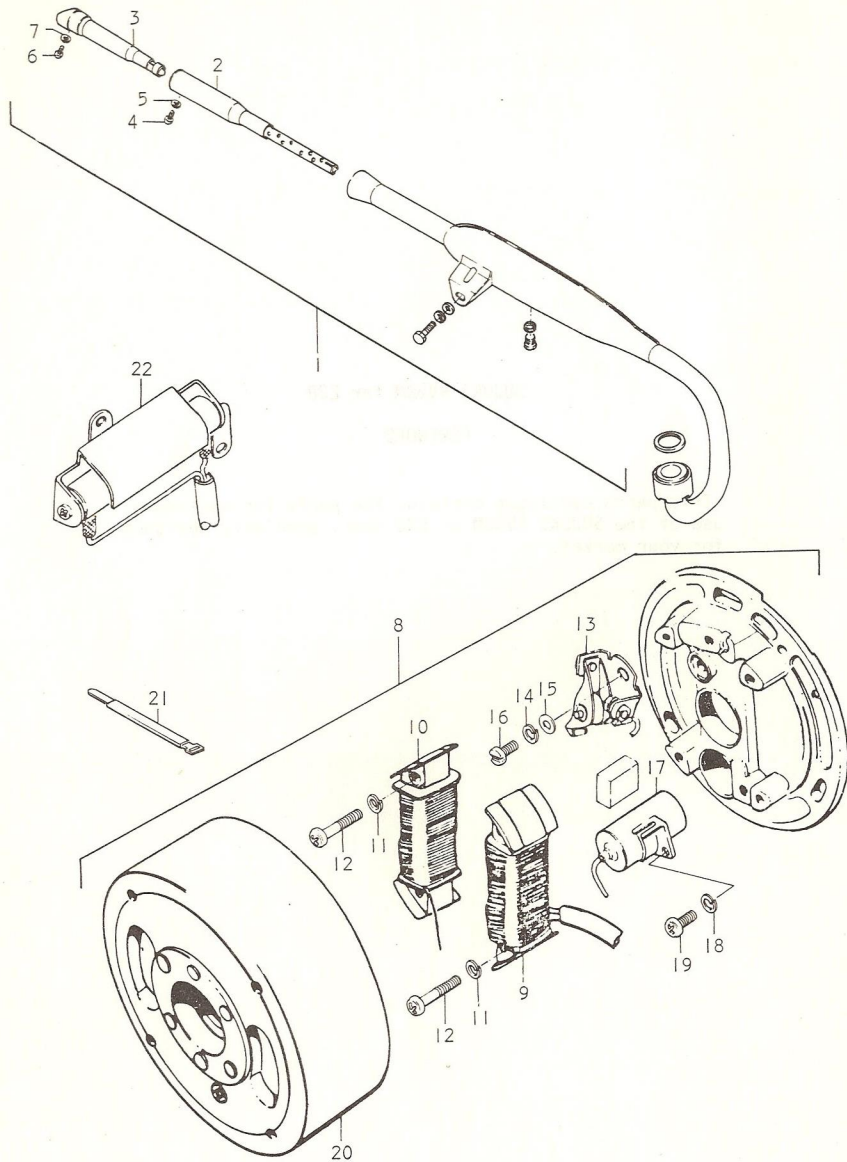


SUZUKI RV50M for E28

FOREWORD

This parts catalogue contains the parts for exclusive use of the SUZUKI RV50M of E28 spec. specially designed for your market.

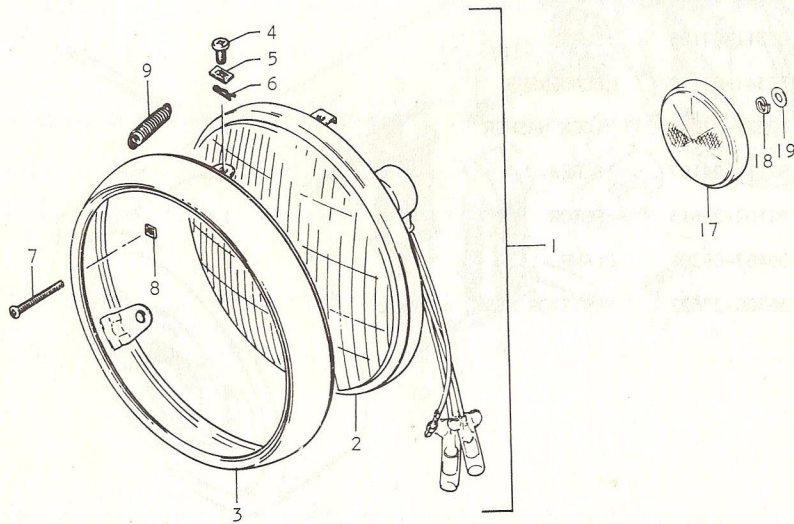
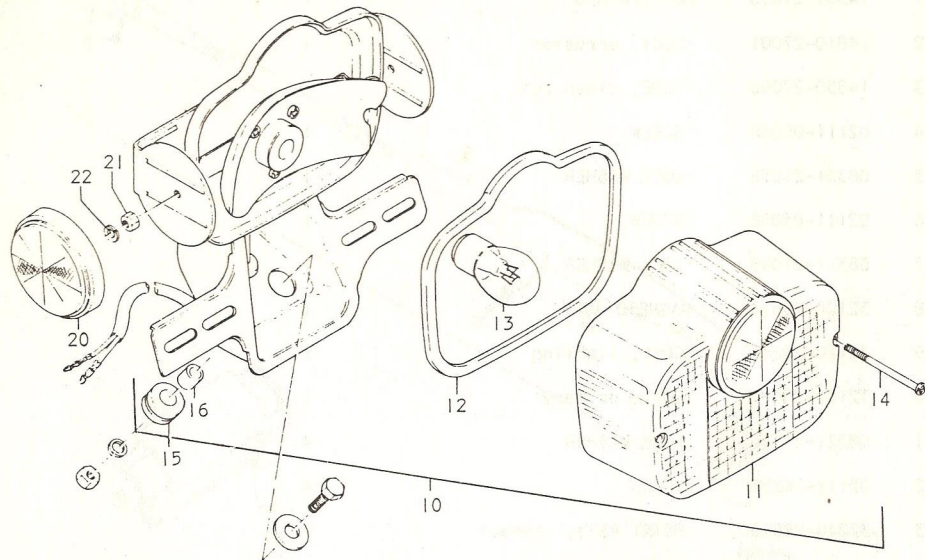
FOR YOUR MARKET (E28)



FOR YOUR MARKET (E28)

Ref.No.	Part No.	Description	Q'ty	Remarks
1	14301-27610	MUFFLER ASSY	1	
2	14810-27001	•BODY, arrestor	1	
3	14850-27000	•TUBE, clean out	1	
4	02111-05068	•SCREW	1	
5	08321-21058	•LOCK WASHER	1	
6	02111-05068	•SCREW	1	
7	08321-21058	•LOCK WASHER	1	
8	32100-26614	MAGNETO ASSY	1	
9	32120-26612	•COIL, lighting	1	
10	32140-26611	•COIL, primary	1	
11	08321-21048	•LOCK WASHER	4	
12	02111-04258	•SCREW	4	
13	32240-28010	•POINT ASSY, contact	1	
14	08321-21048	•LOCK WASHER	1	
15	08322-21048	•WASHER	1	
16	02311-04108	•SCREW	1	
17	32341-03110	•CONDENSER	1	
18	08321-21048	•LOCK WASHER	1	
19	02111-04107	•SCREW	1	
20	32102-26613	•ROTOR	1	
21	09407-09301	CLAMP	2	
22	36500-27622	RESISTOR ASSY, magneto	1	

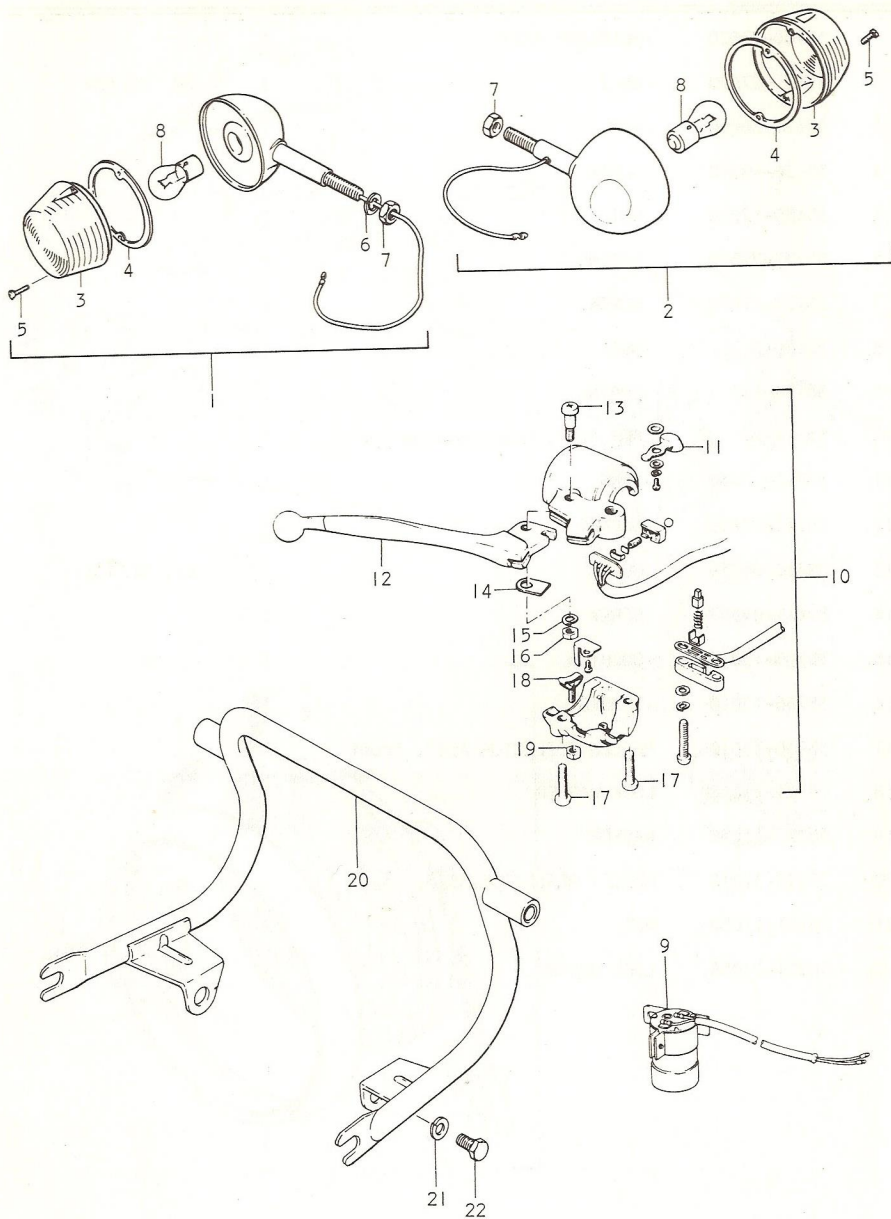
FOR YOUR MARKET (E28)



FOR YOUR MARKET (E28)

Ref.No.	Part No.	Description	Q'ty	Remarks
1	35100-27620	·HEADLAMP ASSY	1	
2	35121-27620	·UNIT	1	6V, 15/15W
3	35111-28610	·RIM	1	
4	35136-19610	·SCREW	2	
5	35135-12610	·NUT	2	
6	35137-27620	·SPRING	2	
7	35151-27620	·SCREW	1	
8	35155-01321	·NUT	1	
9	35154-12610	·SPRING	1	
10	35710-27640	LAMP ASSY, rear combination	1	
11	35712-27630	·LENS	1	
12	35713-27630	·GASKET	1	
13	09471-06030	·BULB	1	6V, 32/3cp
14	02111-04557	·SCREW	2	
15	35765-15010	·CUSHION	3	
16	35766-15010	·SPACER	3	
17	35950-31010	REFLEX REFLECTOR ASSY, front	2	
18	08321-21058	LOCK WASHER	2	
19	08322-21058	WASHER	2	
20	35970-31610	REFLEX REFLECTOR ASSY, rear	2	
21	08311-11058	NUT	2	
22	08321-21058	LOCK WASHER	2	

FOR YOUR MARKET (E28)



FOR YOUR MARKET (E28)

Ref.No.	Part No.	Description	Q'ty	Remarks
1	35601-15610-999	LAMP ASSY, front turn signal	2	
2	35603-16611	LAMP ASSY, rear turn signal	2	
3	35612-12611	•LENS	4	
4	35613-03610	•GASKET	4	
5	02133-03167	•SCREW	8	
6	08323-11108	•LOCK WASHER	2	
7	08312-31108	•NUT	4	
8	09471-06011	•BULB	4	6V, 21cp
9	38610-05611	RELAY, turn signal	1	
10	57300-20622	BRAKE LEVER & SWITCH ASSY	1	
11	57320-01011	•KNOB, switch	1	
12	57421-27210	•LEVER, brake	1	
13	57431-01011	•SCREW	1	
14	57435-20010	•SPACER, lever	1	
15	08321-21058	•LOCK WASHER	1	
16	08311-11058	•NUT	1	
17	09125-05105	•SCREW	2	
18	57390-07011	•ADJUSTER, throttle grip	1	
19	08311-11058	•NUT	1	
20	94710-27600	REAR BUMPER	1	
21	08321-21108	LOCK WASHER	2	
22	01122-10168	BOLT	2	



SUZUKI MOTOR CO., LTD.

Head Office : Hamamatsu - Nishi, P.O.Box 1,
432-91 Hamamatsu, Japan

SUZUKI RV50 FOR YOUR MARKET
PARTS CATALOGUE

1st Edition
Printed in Jan., 1975
Published in Jan., 1975
Editor : SUZUKI MOTOR Co., LTD.
Export parts section

Reprint Prohibited



SUZUKI MOTOR CO., LTD.

HEAD OFFICE

P.O.BOX 1,
Hamamatsu-nishi 432-91,
Hamamatsu, JAPAN

TOKYO BRANCH OFFICE

23-2, Daikyo-cho,
160 Shinjuku-ku,
Tokyo, JAPAN

U.S.SUZUKI MOTOR CORPORATION

13767 Freeway Drive,
Santa Fe Springs,
California 90670
U.S.A

99000-91752-004

N

Printed in Japan