

SUZUKI

PARTS CATALOGUE

FOR YOUR MARKET
RV50

(E4·E18·E19·E21·E22·E24·E28)

*This booklet should be filed in the first part of the standard (E-1 Spec.) parts catalogue RV50.

SUZUKI RV50M for E4

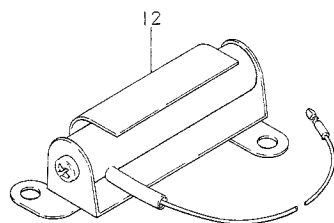
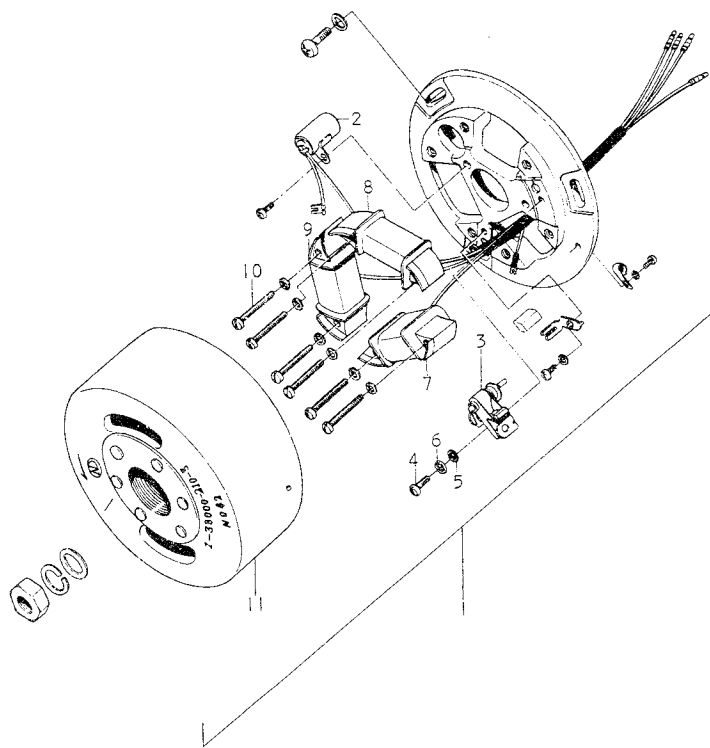
FOREWORD

This parts catalogue contains the parts for exclusive use of the SUZUKI RV50M of E4 spec. specially designed for your market.

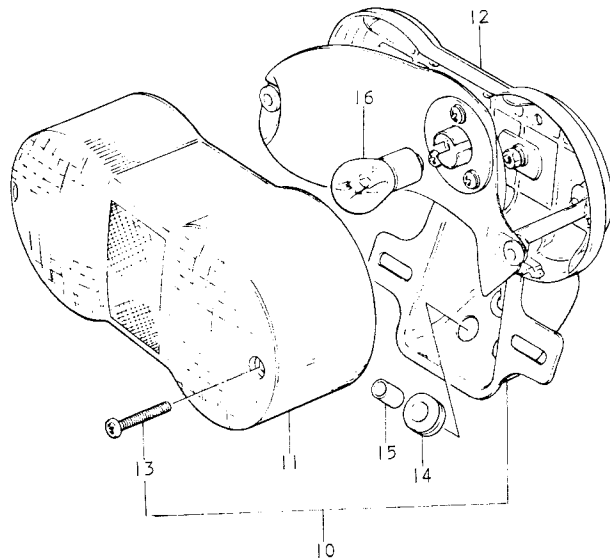
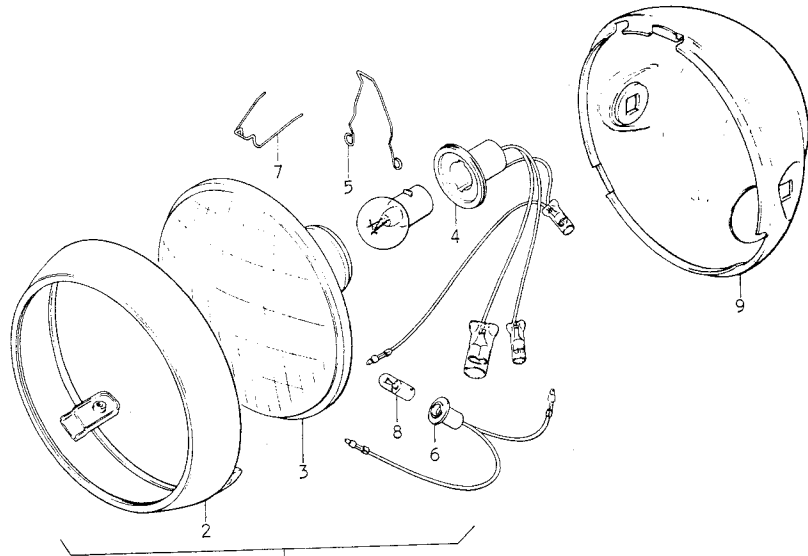
FOR YOUR MARKET (E4)

FOR YOUR MARKET (E4)

Ref.No.	Part No.	Description	Q'ty	Remarks
1	32100-03620	MAGNETO ASSY	1	
2	32341-25690	CONDENSER	1	
3	32240-12020	POINT ASSY, contact	1	
4	02311-04128	SCREW	1	
5	08322-21048	WASHER	1	
6	08321-21048	LOCK WASHER	1	
7	32140-03620	COIL, primary	1	
8	32120-03620	COIL, lighting (1)	1	
9	32130-03620	COIL, lighting (2)	1	
10	02111-04308	SCREW	6	
11	32102-03620	ROTOR	1	
12	36500-27660	RESISTOR ASSY, city lamp	1	



FOR YOUR MARKET (E4)



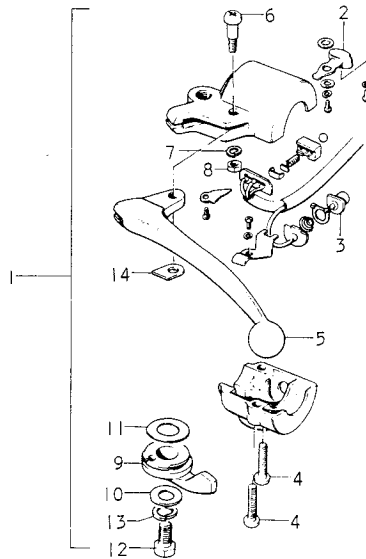
FOR YOUR MARKET (E4)

Ref.No.	Part No.	Description	Q'ty	Remarks
1	35100-27651	HEAD LAMP ASSY	1	
2	35111-28660	•RIM	1	
3	35121-27650	•UNIT	1	
4	35171-18650	•SOCKET	1	
5	35172-28660	•CLAMP	1	
6	36118-28660	•SOCKET, parking bulb	1	
7	35128-28660	•CLAMP	1	
8	09471-06027	•BULB	1	6V, 4W
9	51810-28610-797	HOUSING, headlamp	1	
10	35710-27671	LAMP ASSY, rear combination	1	
11	35712-27690	•LENS	1	
12	35715-27691	•HOUSING	1	
13	02113-04208	•SCREW	2	
14	35765-15010	•CUSHION	3	
15	35766-15010	•SPACER	3	
16	09471-06034	•BULB	1	6V, 21/5W

FOR YOUR MARKET (E4)

FOR YOUR MARKET (E4)

Ref.No.	Part No.	Description	Q'ty	Remarks
1	57500-08412	CLUTCH LEVER & SWITCH ASSY	1	
2	57521-08412	•KNOB, dimmer switch	1	
3	57370-01311	•BUTTON, horn	1	
4	09125-05105	•SCREW	2	
5	57621-27210	•LEVER	1	
6	57431-01011	•SCREW	1	
7	08321-21058	•LOCK WASHER	1	
8	08311-11058	•NUT	1	
9	58721-25611	•LEVER, starter	1	
10	58722-03010	•WASHER	1	
11	58723-03010	•WASHER	1	
12	01112-06128	•BOLT	1	
13	08321-21068	•LOCK WASHER	1	
14	57435-20010	•SPACER	1	



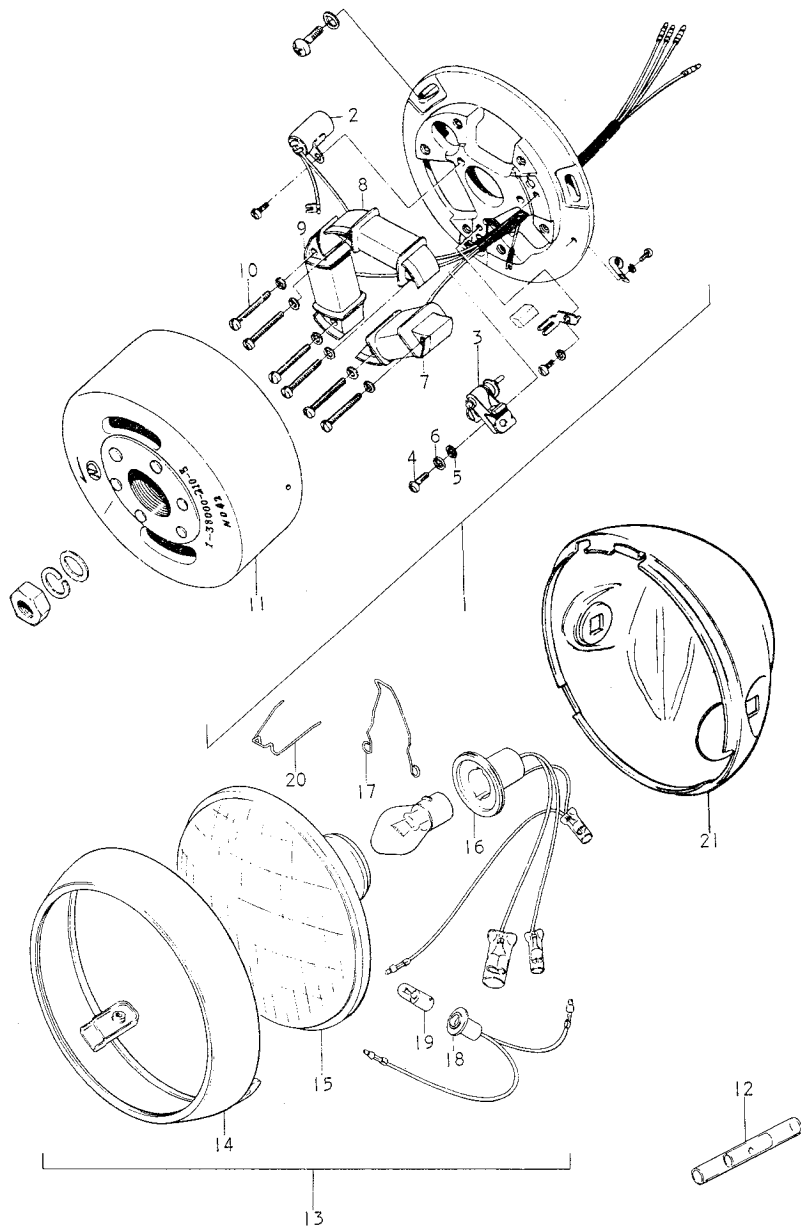
SUZUKI RV50M for E18

FOREWORD

This parts catalogue contains the parts for exclusive use of the SUZUKI RV50M of E18 spec. specially designed for your market.

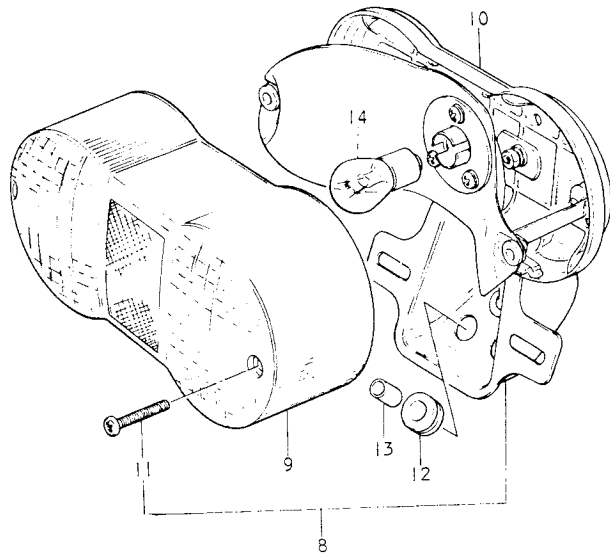
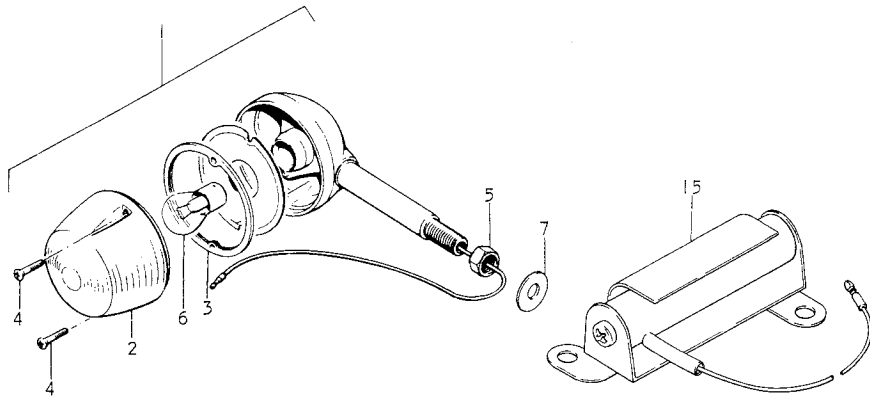
FOR YOUR MARKET (E18)

FOR YOUR MARKET (E18)



Ref.No.	Part No.	Description	Q'ty	Remarks
1	32100-03620	MAGNETO ASSY	1	
2	32341-25690	•CONDENSER	1	
3	32240-12020	•CONTACT POINT ASSY	1	
4	02311-04128	•SCREW	1	
5	08322-21048	•WASHER	1	
6	08321-21048	•LOCK WASHER	1	
7	32140-03620	•COIL, primary	1	
8	32120-03620	•COIL, lighting (1)	1	
9	32130-03620	•COIL, lighting (2)	1	
10	02111-04308	•SCREW	6	
11	32102-03620	•ROTOR	1	
12	37132-03000	CONNECTOR, magneto lead wire	2	
13	35100-28660	HEADLAMP ASSY	1	
14	35111-28660	•RIM	1	
15	35121-28660	•UNIT	1	
16	35171-28660	•SOCKET	1	
17	35172-28660	•CLAMP	1	
18	36118-28660	•SOCKET, parking bulb	1	
19	09471-06027	•BULB	1	6V, 4W
20	35128-28660	•CLAMP	1	
21-1	51810-28610-778	HOUSING, headlamp	1	
21-2	51810-28610-797	HOUSING, headlamp	1	

FOR YOUR MARKET (E18)



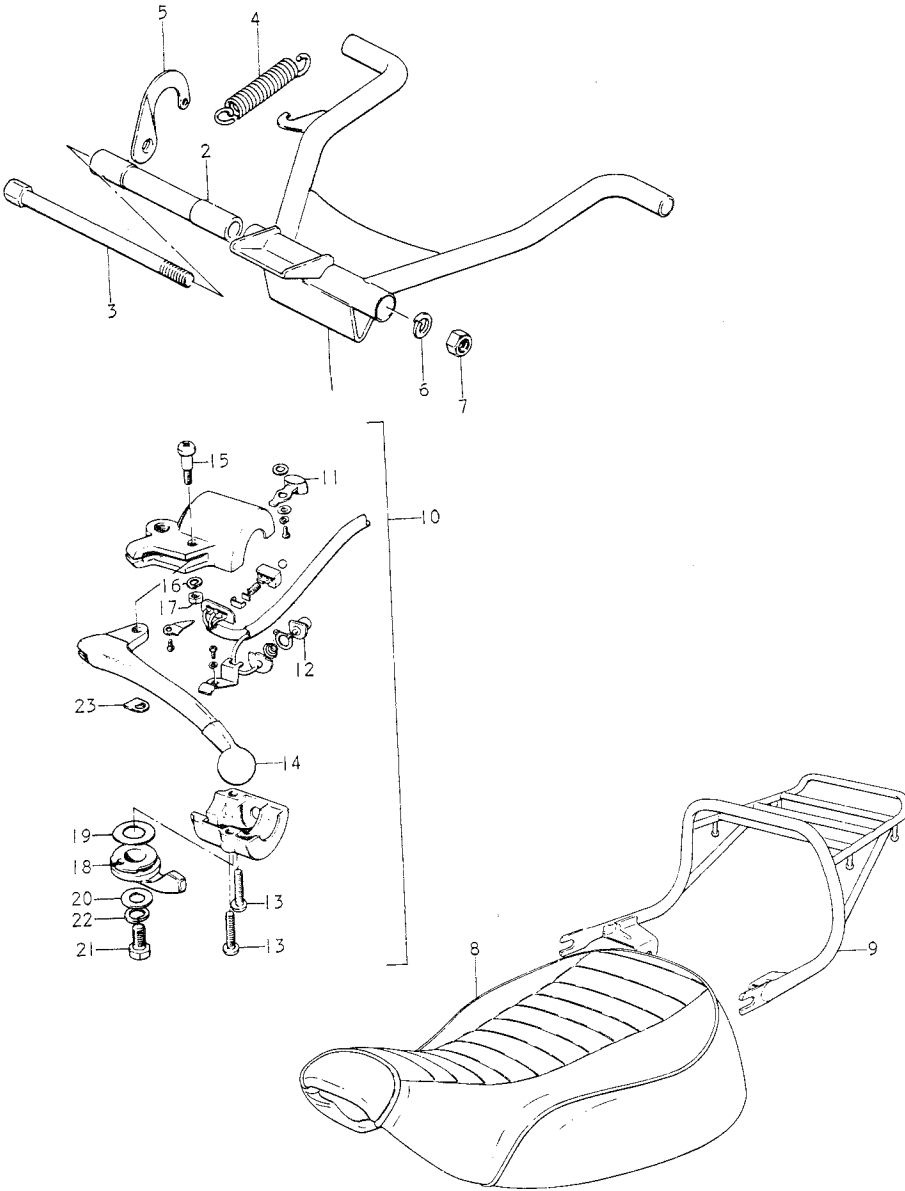
FOR YOUR MARKET (E18)

Ref.No.	Part No.	Description	Q'ty	Remarks
1	35601-20111	LAMP ASSY, front turn signal	2	
2	35612-20010	•LENS	2	
3	35613-06111	•GASKET	2	
4	35623-06110	•SCREW	4	
5	08312-31108	•NUT	2	
6	09471-06021	•BULB	1	6V, 8W
7	09160-10037	WASHER, turn signal lamp	2	
8	35710-27670	LAMP ASSY, rear combination	1	
9	35712-27690	•LENS	1	
10	35715-27691	•HOUSING	1	
11	02113-04208	•SCREW	2	
12	35765-15010	•CUSHION	3	
13	35766-15010	•SPACER	3	
14	09471-06034	•BULB	1	6V, 21/5W
15	36500-27660	RESISTOR ASSY, city lamp	1	

FOR YOUR MARKET (E18)

FOR YOUR MARKET (E18)

Ref.No.	Part No.	Description	Q'ty	Remarks
1	42100-27200	STAND, center	1	
2	42211-27200	SPACER	1	
3	09100-10088	BOLT	1	
4	09443-16002	SPRING	1	
5	42251-03002	HOOK	1	
6	08321-21108	LOCK WASHER	1	
7	08312-11108	NUT	1	
8	45100-27501-403	SEAT ASSY	1	
9	46310-27400	CARRIER, sport	1	
10	57500-08412	CLUTCH LEVER & SWITCH ASSY	1	
11	57521-08412	•KNOB, dimmer switch	1	
12	57370-01311	•BUTTON, horn	1	
13	09125-05105	•SCREW	2	
14	57621-27210	•LEVER	1	
15	57431-01011	•SCREW	1	
16	08321-21058	•LOCK WASHER	1	
17	08311-11058	•NUT	1	
18	58721-25611	•LEVER, starter	1	
19	58722-03010	•WASHER	1	
20	58723-03010	•WASHER	1	
21	01112-06128	•BOLT	1	
22	08321-21068	•LOCK WASHER	1	
23	57435-20010	•SPACER	1	

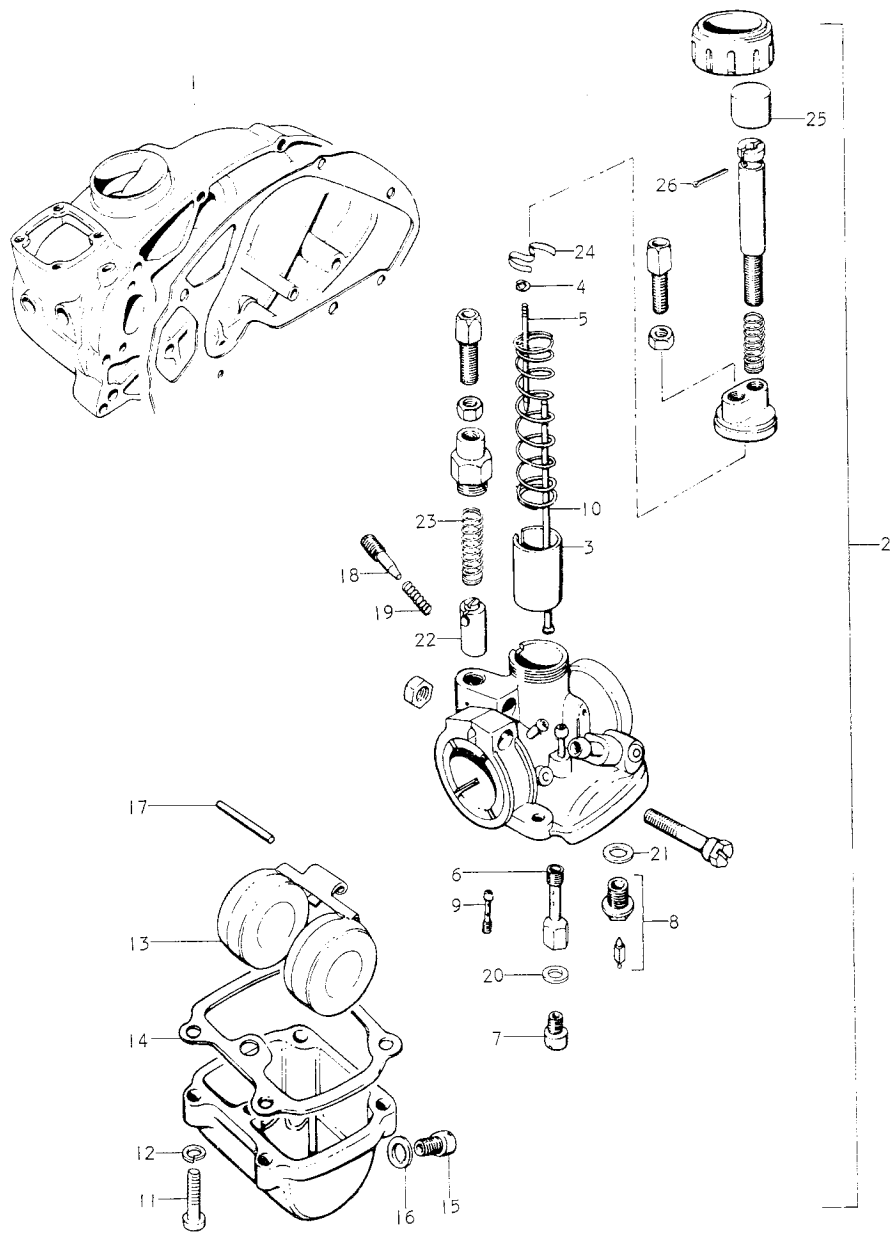


SUZUKI RV50M for E19

FOREWORD

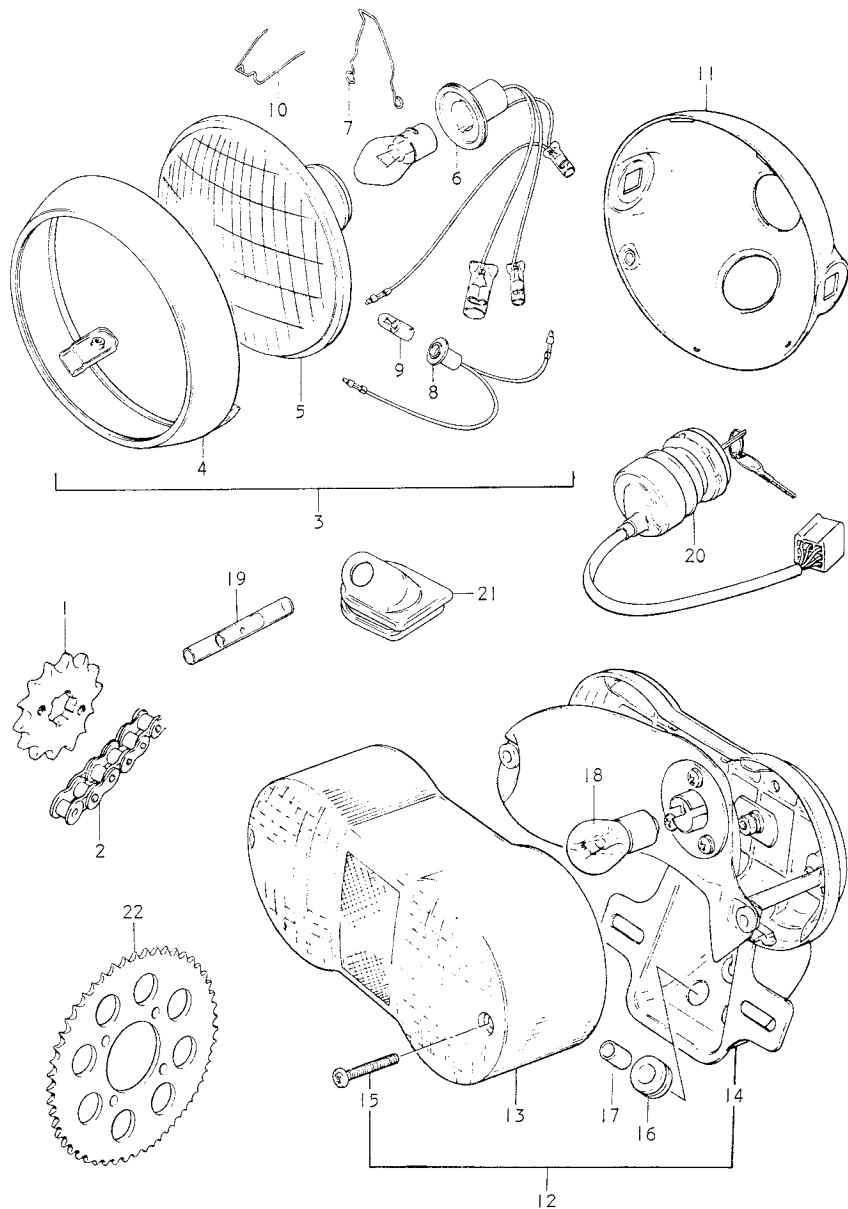
This parts catalogue contains the parts for exclusive use of the SUZUKI RV50M of E19 spec. specially designed for your market.

FOR YOUR MARKET (E19)



Ref.No.	Part No.	Description	Q'ty	Remarks
1	11340-22610	COVER, clutch	1	
2	13200-27610	CARBURETOR	1	
3	13551-22600	VALVE, throttle	1	
4	13394-12110	CLIP, needle	1	
5	13383-19010	NEEDLE, jet	1	
6	09494-00057	JET, needle	1	
7	09491-21003	JET, main	1	#105
8	13370-13110	VALVE ASSY, needle	1	
9	09492-17002	JET, pilot	1	#17.5
10	13296-22600	ROD	1	
11	02111-04207	SCREW	4	
12	08321-21048	LOCK WASHER	4	
13	13252-06110	FLOAT	1	
14	13251-01011	GASKET	1	
15	13247-05010	PLUG	1	
16	13249-05010	GASKET	1	
17	13254-01010	PIN	1	
18	13269-01010	SCREW	1	
19	13268-01010	SPRING	1	
20	13382-03110	WASHER	1	
21	13392-01010	GASKET	1	
22	13411-01010	BULB	1	
23	13417-01010	SPRING	1	
24	13581-01010	SEAT	1	
25	13688-08010	CAP	1	
26	04111-12108	COTTER PIN	1	

FOR YOUR MARKET (E19)



FOR YOUR MARKET (E19)

Ref.No.	Part No.	Description	Q'ty	Remarks
1	27511-19000	SPROCKET, engine	1	NT:13
2	27600-05011	CHAIN ASSY, drive	1	
3	35100-22650	HEADLAMP ASSY	1	
4	35111-28660	·RIM	1	
5	35121-22650	·UNIT	1	
6	35171-28660	·SOCKET	1	
7	35172-28660	·CLAMP	1	
8	36118-28660	·SOCKET, parking bulb	1	
9	09471-06027	·BULB	1	
10	35128-28660	·CLAMP	1	
11-1	51810-28610-778	HOUSING, headlamp	1	
11-2	51810-28610-797	HOUSING, headlamp	1	
12	35710-27670	LAMP ASSY, rear combination	1	
13	35712-27690	·LENS	1	
14	35715-27691	·HOUSING	1	
15	02113-04208	·SCREW	2	
16	35765-15010	·CUSHION	3	
17	35766-15010	·SPACER	3	
18	09471-06034	·BULB	1	6V, 21/5W
19	37132-03000	CONNECTOR, magneto lead wire	2	
20	37110-35620	SWITCH ASSY, ignition	1	
21	09309-07005	GROMMET, fuel hose	1	
22	64511-27600	SPROCKET	1	

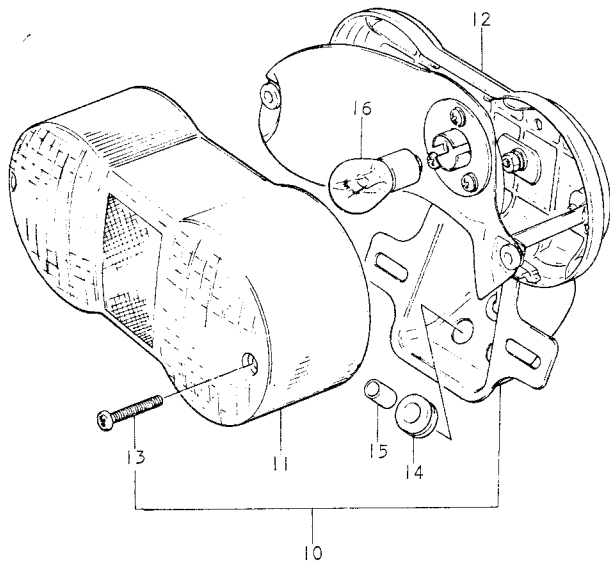
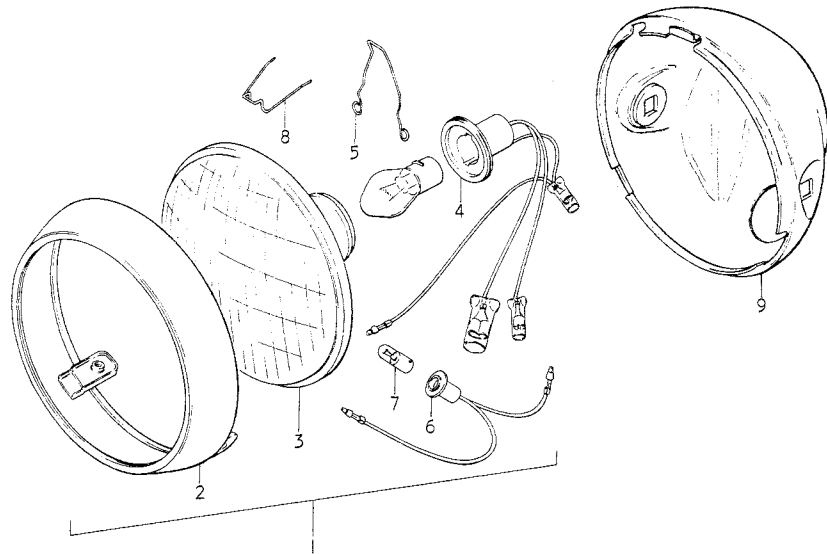
SUZUKI RV50M for E21

FOREWORD

This parts catalogue contains the parts for exclusive use of the SUZUKI RV50M of E21 spec. specially designed for your market.

FOR YOUR MARKET (E21)

FOR YOUR MARKET (E21)



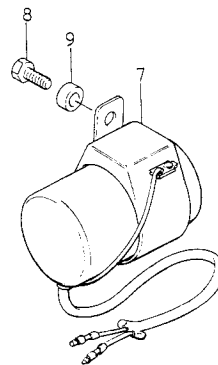
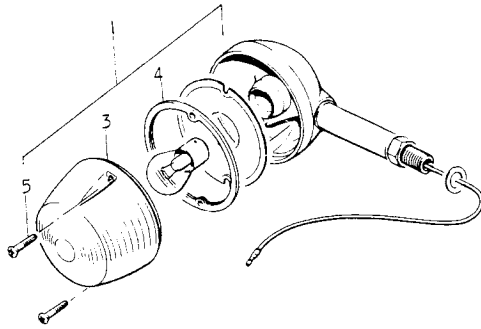
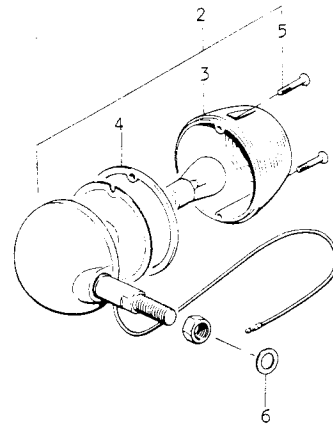
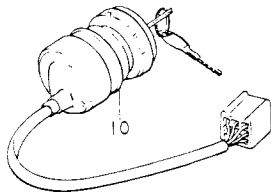
FOR YOUR MARKET (E21)

Ref.No.	Part No.	Description	Q'ty	Remarks
1	35100-22650	HEADLAMP ASSY	1	
2	35111-28660	·RIM	1	
3	35121-22650	·UNIT	1	
4	35171-28660	·SOCKET	1	
5	35172-28660	·CLAMP	1	
6	36118-28660	·SOCKET, parking bulb	1	
7	09471-06027	·BULB	1	
8	35128-28660	·CLAMP	1	
9-1	51810-28610-778	HOUSING, headlamp	1	
9-2	51810-28610-797	HOUSING, headlamp	1	
10	35710-27670	LAMP ASSY, rear combination	1	
11	35712-27690	·LENS	1	
12	35715-27691	·HOUSING	1	
13	02113-04208	·SCREW	2	
14	35765-15010	·CUSHION	3	
15	35766-15010	·SPACER	3	
16	09471-06034	·BULB	1	6V, 21/5W

FOR YOUR MARKET (E21)

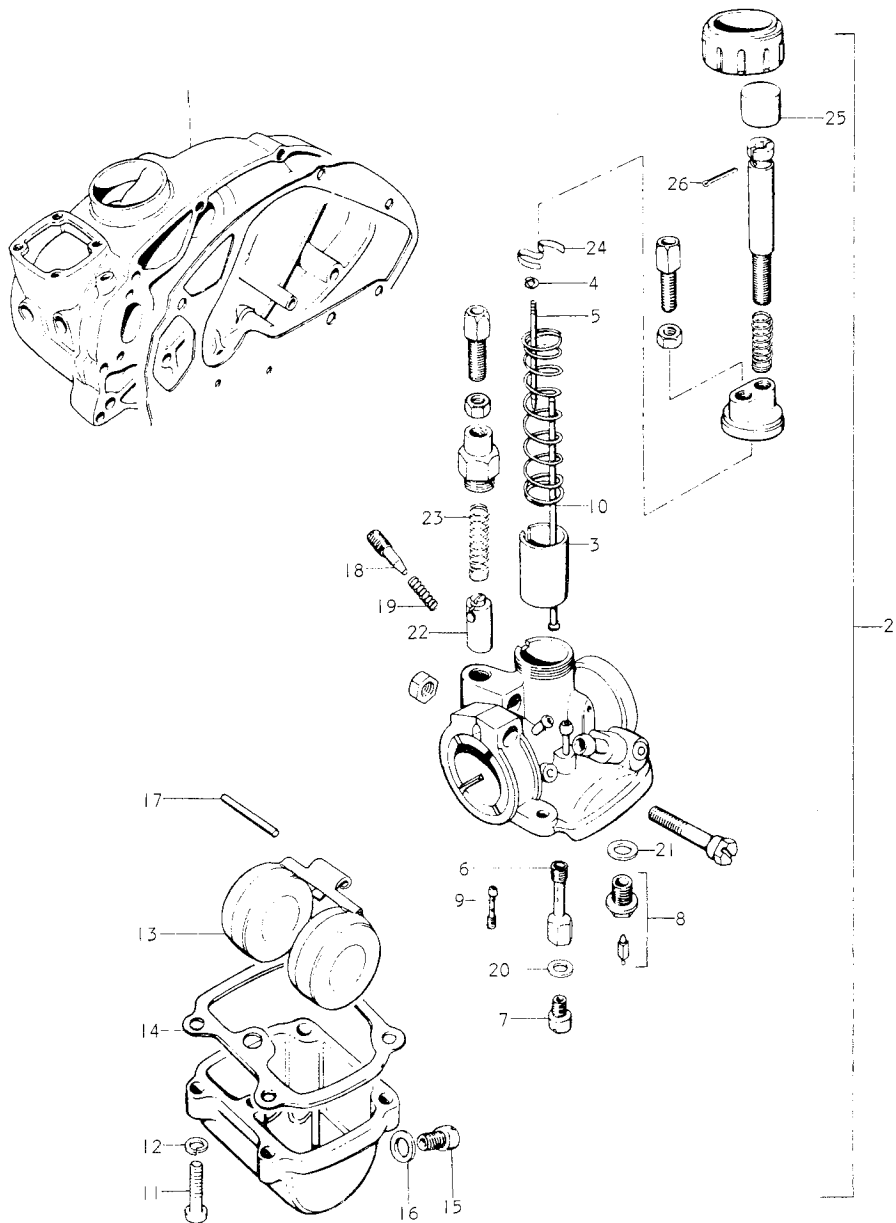
FOR YOUR MARKET (E21)

Ref.No.	Part No.	Description	Q'ty	Remarks
1	35601-27660	LAMP ASSY, front turn signal	2	
2	35603-27660	LAMP ASSY, rear turn signal	2	
3	35612-12611	LENS	4	
4	35613-03610	GASKET	4	
5	02133-03167	SCREW	8	
6	09160-10033	WASHER, rear turn signal lamp	1	
7	38610-27650	RELAY ASSY, turn signal	1	
8	01112-06168	BOLT	1	
9	09180-06010	SPACER	1	
10	37110-35620	SWITCH ASSY, ignition	1	



FOR YOUR MARKET (E22)

FOR YOUR MARKET (E22)

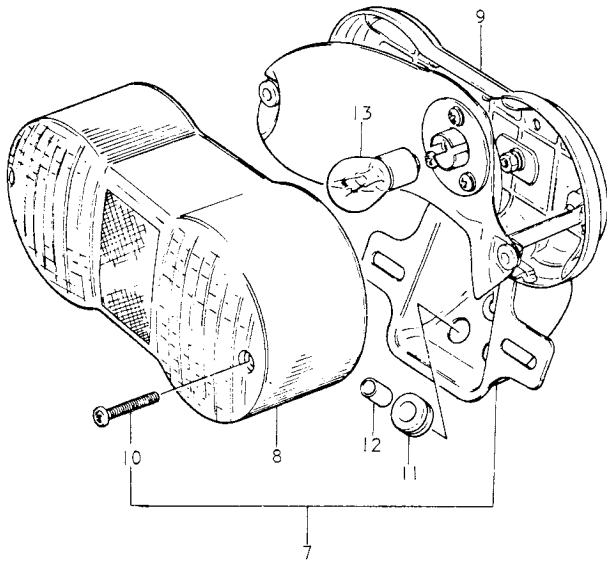
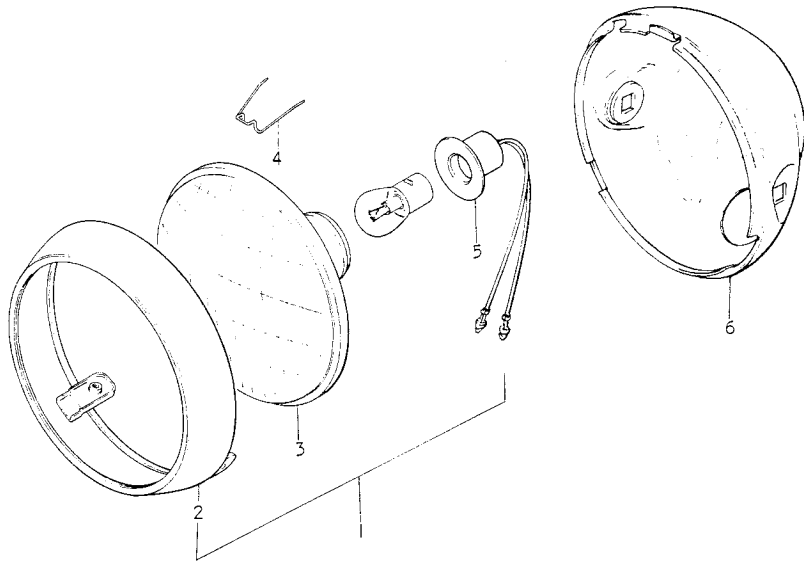


Ref.No.	Part No.	Description	Q'ty	Remarks
1	11340-22610	COVER, clutch	1	
2	13200-27610	CARBURETOR ASSY	1	
3	13551-22600	VALVE, throttle	1	
4	13394-12110	CLIP, needle	1	
5	13383-19010	NEEDLE, jet	1	
6	09494-00057	JET, needle	1	
7	09491-21003	JET, main	1	#105
8	13570-13110	VALVE ASSY, needle	1	
9	09492-17002	JET, pilot	1	#17.5
10	13296-22600	ROD	1	
11	02111-04207	SCREW	4	
12	08321-21048	LOCK WASHER	4	
13	13252-06110	FLOAT	1	
14	13251-01011	GASKET	1	
15	13247-05010	PLUG	1	
16	13249-05010	GASKET	1	
17	13254-01010	PIN	1	
18	13269-01010	SCREW	1	
19	13268-01010	SPRING	1	
20	13382-03110	WASHER	1	
21	13392-01010	GASKET	1	
22	13411-01010	VALVE	1	
23	13417-01010	SPRING	1	
24	13581-01010	SEAT	1	
25	13688-08010	CAP	1	
26	04111-12108	COTTER PIN	1	

FOR YOUR MARKET (E22)

FOR YOUR MARKET (E22)

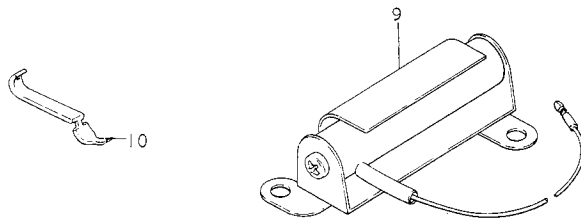
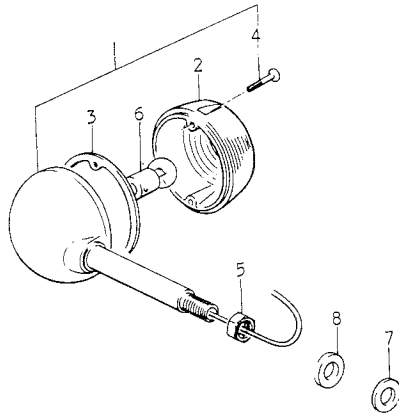
Ref.No.	Part No.	Description	Q'ty	Remarks
1	35100-27660	HEAD LAMP ASSY	1	
2	35111-27660	•RIM	1	
3	35121-27660	•UNIT	1	
4	35128-27660	•SPRING	3	
5	35171-27660	•CORD	1	
6-1	51810-28610-778	HOUSING, headlamp	1	
6-2	51810-28610-797	HOUSING, headlamp	1	
7	35710-27670	LAMP ASSY, rear combination	1	
8	35712-27690	•LENS	1	
9	35715-27691	•HOUSING	1	
10	02113-04208	•SCREW	2	
11	35765-15010	•CUSHION	3	
12	35766-15010	•SPACER	3	
13	09471-06034	•BULB	1	5V, 21/5W



FOR YOUR MARKET (E22)

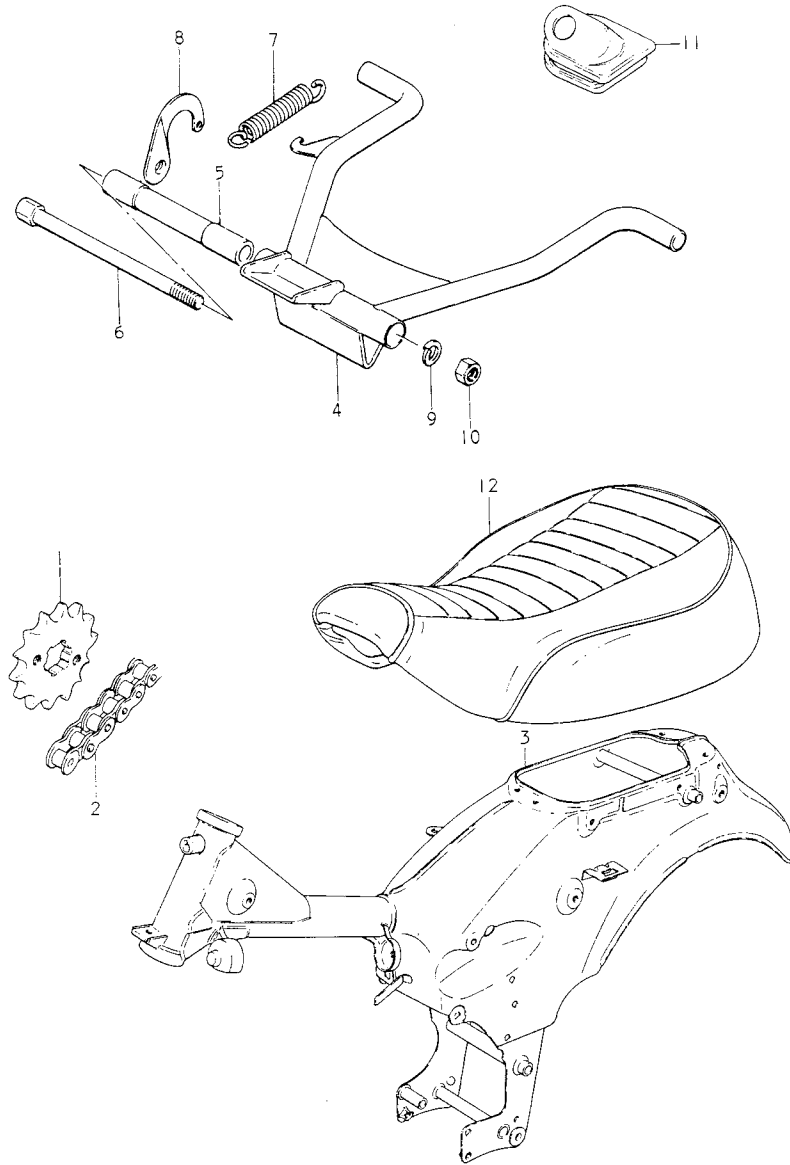
FOR YOUR MARKET (E22)

Ref.No.	Part No.	Description	Q'ty	Remarks
1	35601-20111	LAMP ASSY, front turn signal	2	
2	35612-20010	LENS	2	
3	35613-06111	GASKET	2	
4	35623-06110	SCREW	4	
5	08312-31108	NUT	2	
6	09471-06021	BULB	2	6V, 8W
7	09160-10037	WASHER, front turn signal lamp	2	
8	09160-10033	WASHER, rear turn signal lamp	2	
9	36500-27660	RESISTOR ASSY, city lamp	1	
10	33881-22200	BAND, horn lead wire	1	



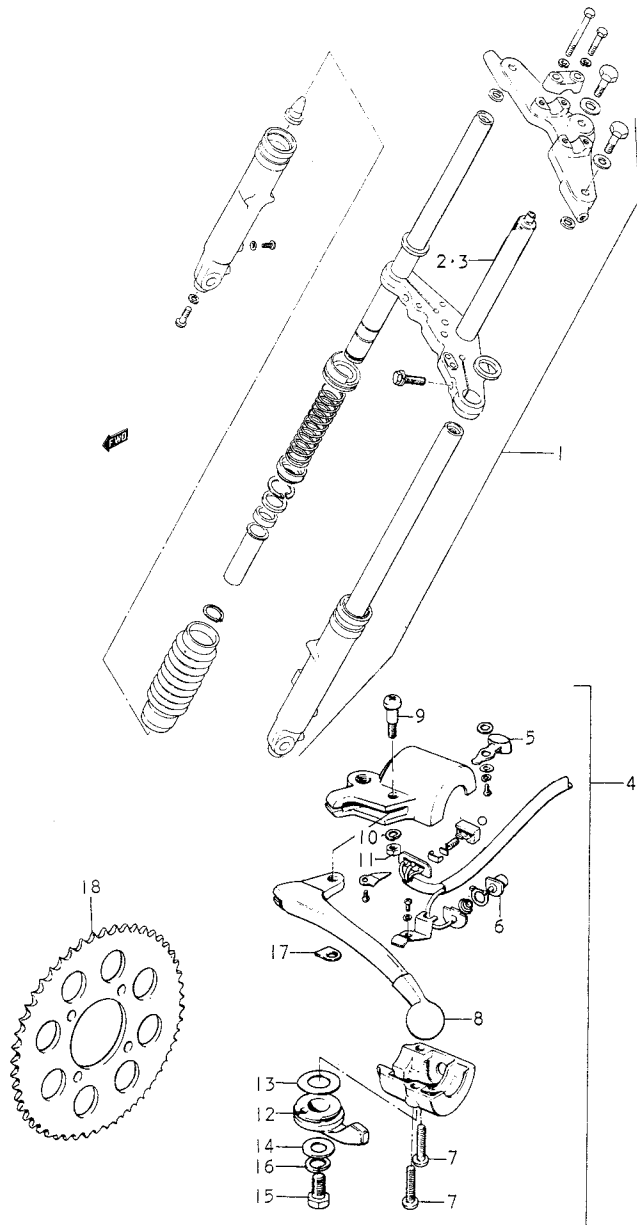
FOR YOUR MARKET (E22)

FOR YOUR MARKET (E22)



Ref.No.	Part No.	Description	Q'ty	Remarks
1	27511-19000	SPROCKET, engine	1	NT:13
2	27600-05011	CHAIN ASSY, drive	1	
3-1	41100-27650-778	FRAME	1	
3-2	41100-27650-798	FRAME	1	
4	42100-27200	STAND, center	1	
5	42211-27200	SPACER	1	
6	09100-10088	BOLT	1	
7	09443-16002	SPRING	1	
8	42251-03002	HOOK	1	
9	08321-21108	LOCK WASHER	1	
10	08312-11108	NUT	1	
11	09309-07005	GROMMET, fuel hose	1	
12	45100-27501-403	SEAT ASSY	1	

FOR YOUR MARKET (E22)



FOR YOUR MARKET (E22)

Ref.No.	Part No.	Description	Q'ty	Remarks
1	51106-27730	FORK ASSY, sub	1	
2	51410-27730	·STEM, steering	1	
3	51410-27740	·STEM, steering	1	
4	57500-08412	CLUTCH LEVER & SWITCH ASSY	1	
5	57521-08412	·KNOB, dimmer switch	1	
6	57370-01311	·BUTTON, horn	1	
7	09125-05105	·SCREW	2	
8	57621-27210	·LEVER	1	
9	57431-01011	·SCREW	1	
10	08321-21058	·LOCK WASHER	1	
11	08311-11058	·NUT	1	
12	58721-25611	·LEVER, starter	1	
13	58722-03010	·WASHER	1	
14	58723-03010	·WASHER	1	
15	01112-06128	·BOLT	1	
16	08321-21068	·LOCK WASHER	1	
17	57435-20010	·SPACER	1	
18	64511-27600	SPROCKET, rear	1	

SUZUKI RV50M for E24

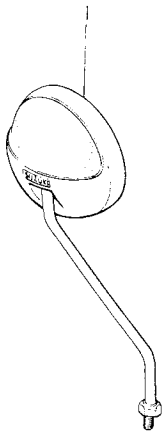
FOREWORD

This parts catalogue contains the parts for exclusive use of the SUZUKI RV50M of E24 spec. specially designed for your market.

FOR YOUR MARKET (E24)

FOR YOUR MARKET (E24)

Ref.No.	Part No.	Description	Q'ty	Remarks
1	56500-35600	MIRROR ASSY, rear view	1	

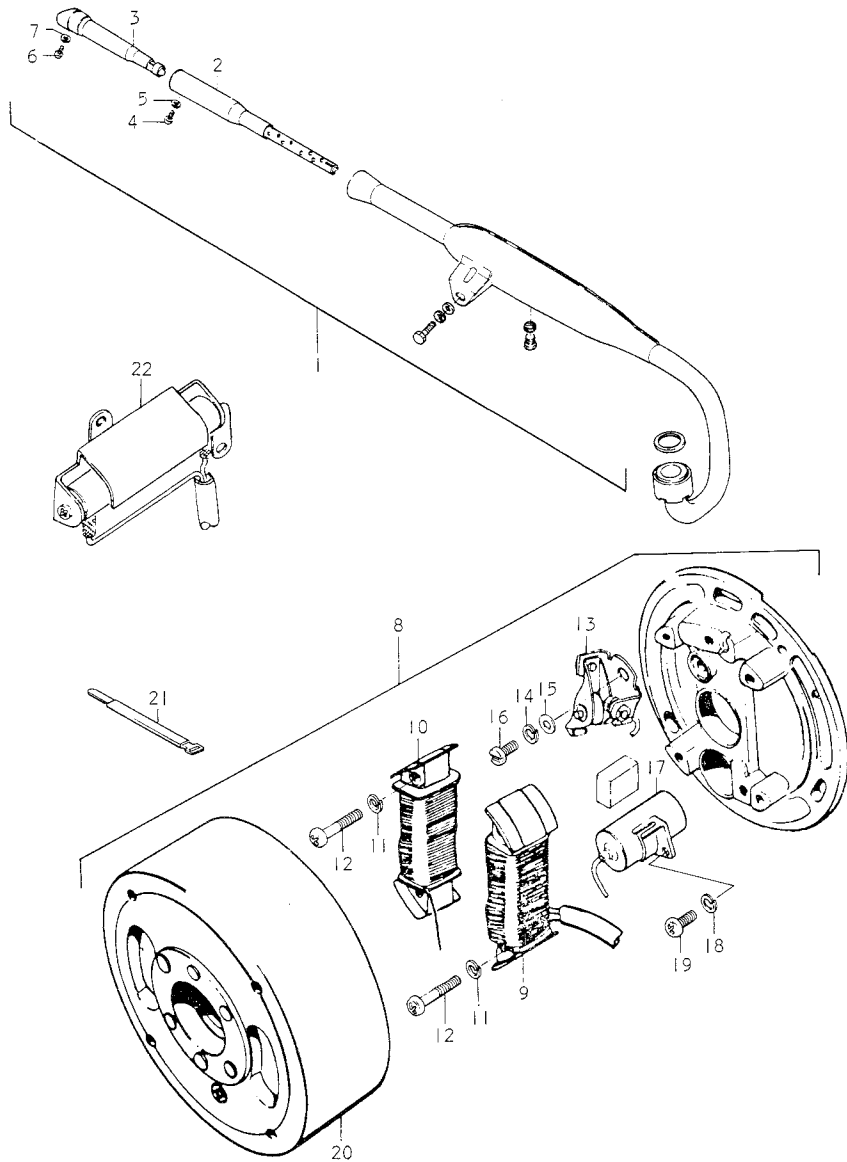


SUZUKI RV50M for E28

FOREWORD

This parts catalogue contains the parts for exclusive use of the SUZUKI RV50M of E28 spec. specially designed for your market.

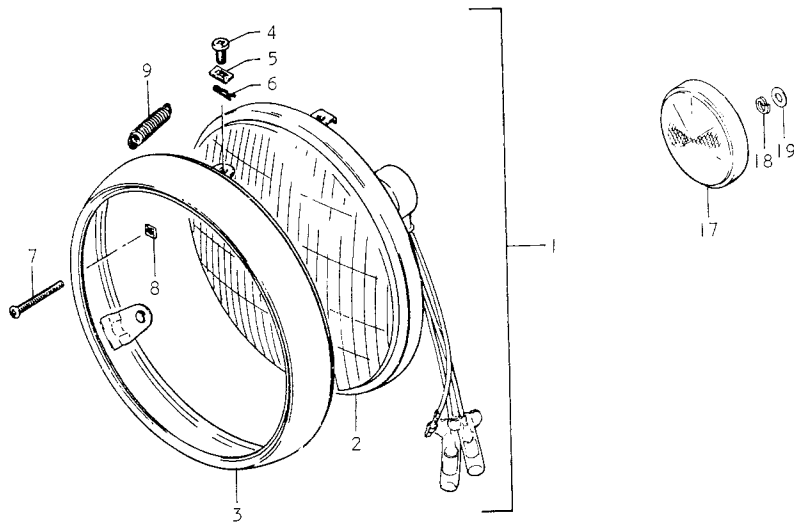
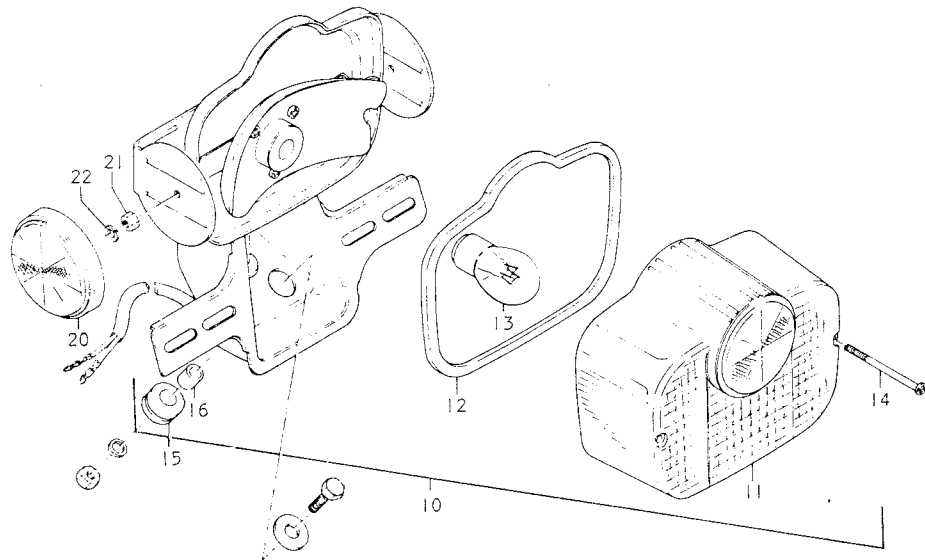
FOR YOUR MARKET (E28)



FOR YOUR MARKET (E28)

Ref.No.	Part No.	Description	Qty	Remarks
1	14301-27610	MUFFLER ASSY	1	
2	14810-27001	•BODY, arrestor	1	
3	14850-27000	•TUBE, clean out	1	
4	02111-05068	•SCREW	1	
5	08321-21058	•LOCK WASHER	1	
6	02111-05068	•SCREW	1	
7	08321-21058	•LOCK WASHER	1	
8	32100-26614	MAGNETO ASSY	1	
9	32120-26612	•COIL, lighting	1	
10	32140-26611	•COIL, primary	1	
11	08321-21048	•LOCK WASHER	4	
12	02111-04258	•SCREW	4	
13	32240-28010	•POINT ASSY, contact	1	
14	08321-21048	•LOCK WASHER	1	
15	08322-21048	•WASHER	1	
16	02311-04108	•SCREW	1	
17	32341-03110	•CONDENSER	1	
18	08321-21048	•LOCK WASHER	1	
19	02111-04107	•SCREW	1	
20	32102-26613	•ROTOR	1	
21	09407-09301	CLAMP	2	
22	36500-27622	RESISTOR ASSY, magneto	1	

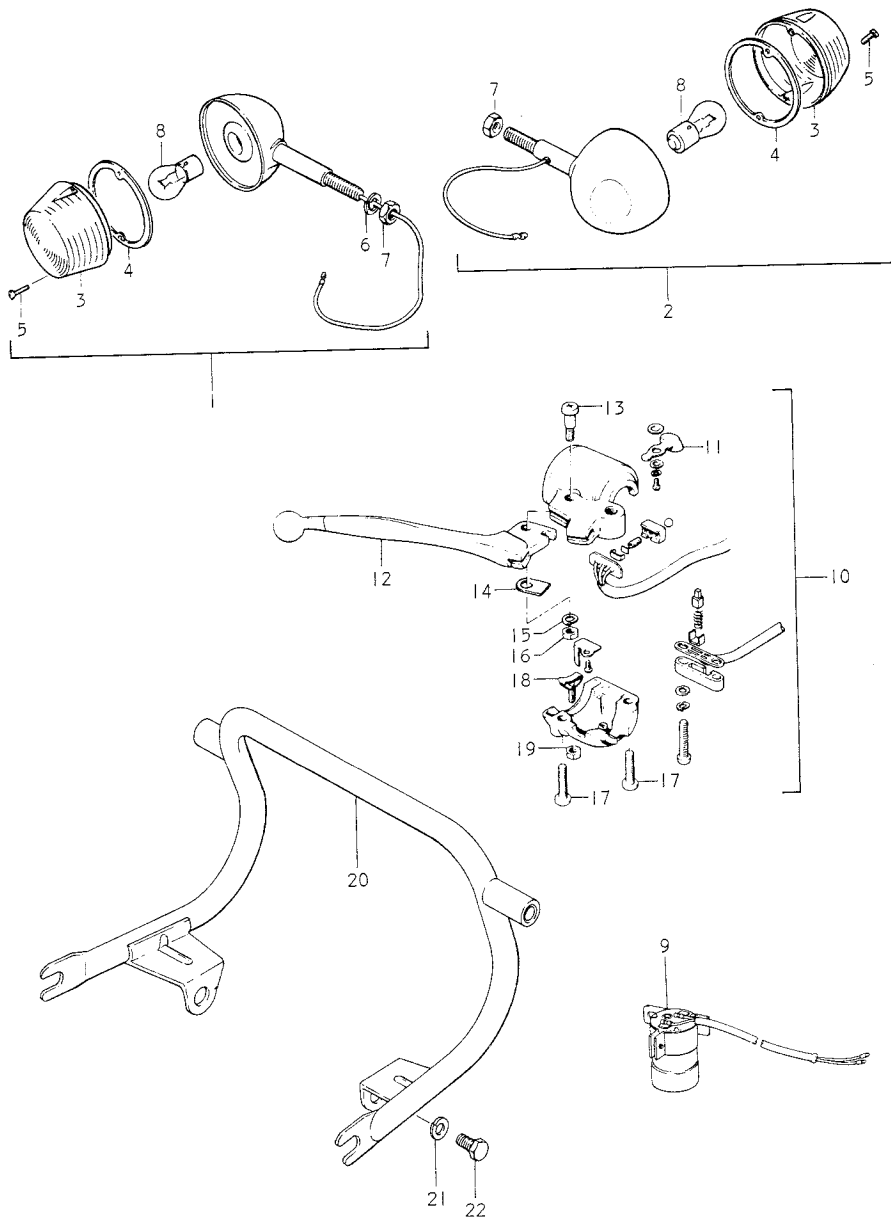
FOR YOUR MARKET (E28)



FOR YOUR MARKET (E28)

Ref.No.	Part No.	Description	Q'ty	Remarks
1	35100-27620	·HEADLAMP ASSY	1	
2	35121-27620	·UNIT	1	6V, 15/15W
3	35111-28610	·RIM	1	
4	35136-19610	·SCREW	2	
5	35135-12610	·NUT	2	
6	35137-27620	·SPRING	2	
7	35151-27620	·SCREW	1	
8	35155-01321	·NUT	1	
9	35154-12610	·SPRING	1	
10	35710-27640	LAMP ASSY, rear combination	1	
11	35712-27630	·LENS	1	
12	35713-27630	·GASKET	1	
13	09471-06030	·BULB	1	6V, 32/3cp
14	02111-04557	·SCREW	2	
15	35765-15010	·CUSHION	3	
16	35766-15010	·SPACER	3	
17	35950-31010	REFLEX REFLECTOR ASSY, front	2	
18	08321-21058	LOCK WASHER	2	
19	08322-21058	WASHER	2	
20	35970-31610	REFLEX REFLECTOR ASSY, rear	2	
21	08311-11058	NUT	2	
22	08321-21058	LOCK WASHER	2	

FOR YOUR MARKET (E28)



FOR YOUR MARKET (E28)

Ref.No.	Part No.	Description	Q'ty	Remarks
1	35601-15610-999	LAMP ASSY, front turn signal	2	
2	35603-16611	LAMP ASSY, rear turn signal	2	
3	35612-12611	•LENS	4	
4	35613-03610	•GASKET	4	
5	02133-03167	•SCREW	8	
6	08323-11108	•LOCK WASHER	2	
7	08312-31108	•NUT	4	
8	09471-06011	•BULB	4	6V, 21cp
9	38610-05611	RELAY, turn signal	1	
10	57300-20622	BRAKE LEVER & SWITCH ASSY	1	
11	57320-01011	•KNOB, switch	1	
12	57421-27210	•LEVER, brake	1	
13	57431-01011	•SCREW	1	
14	57435-20010	•SPACER, lever	1	
15	08321-21058	•LOCK WASHER	1	
16	08311-11058	•NUT	1	
17	09125-05105	•SCREW	2	
18	57390-07011	•ADJUSTER, throttle grip	1	
19	08311-11058	•NUT	1	
20	94710-27600	REAR BUMPER	1	
21	08321-21108	LOCK WASHER	2	
22	01122-10168	BOLT	2	



SUZUKI MOTOR CO., LTD.

Head Office : Hamamatsu - Nishi, P.O.Box 1,
432-91 Hamamatsu, Japan

SUZUKI RV50 FOR YOUR MARKET
PARTS CATALOGUE

1st Edition
Printed in Jan., 1975
Published in Jan., 1975
Editor : SUZUKI MOTOR Co., LTD.
Export parts section

Reprint Prohibited



SUZUKI MOTOR CO., LTD.

HEAD OFFICE

P.O.BOX 1,
Hamamatsu-nishi 432-91,
Hamamatsu, JAPAN

TOKYO BRANCH OFFICE

23-2, Daikyo-cho,
160 Shinjuku-ku,
Tokyo, JAPAN

U.S.SUZUKI MOTOR CORPORATION

13767 Freeway Drive,
Santa Fe Springs,
California 90670
U.S.A