

**SUZUKI**

# **SUZUKI**

## **PARTS CATALOGUE**

**PARTS CATALOGUE**

### **SUZUKI**

# **RV50**

**RV50**

**E 1**

**= 50 =**

**SUZUKI RV50K**



**SUZUKI RV50L**



**SUZUKI RV50M**



## PREFACE

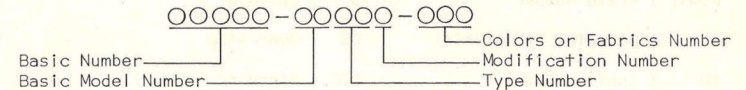
When it becomes necessary to replace parts on SUZUKI Motorcycles, always use SUZUKI GENUINE PARTS which have passed a strict inspection which guarantees quality and performance.

This parts catalogue covers the list of all service parts for SUZUKI RV50K, RV50L and RV50M

### A. INSTRUCTIONS FOR QUOTING THE CATALOGUE

#### 1. COMPOSITION OF THE PART NUMBER

##### 1-1. REGULAR PARTS

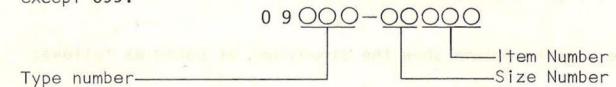


##### 1-2. STANDARD PARTS

Numbers of all standard parts begin with 0 except beginning with 09 or 000.

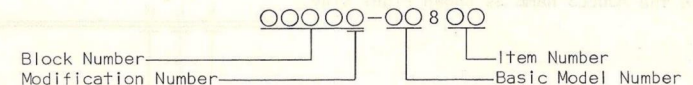
##### 1-3. SPECIAL STANDARD PARTS

Special standard parts are parts which are similar to standard parts but differ in some respect. All special standard parts numbers begin with 09 except 099.



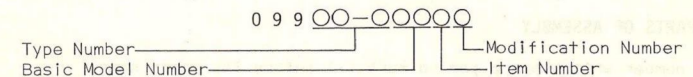
##### 1-4. PARTS ASSEMBLIES

The eight digit of numbers of parts assemblies is always 8.



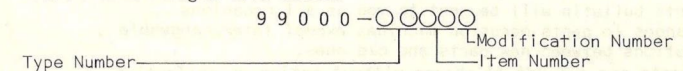
##### 1-5. SPECIAL TOOLS

Part Numbers begin with 099.



##### 1-6. MISCELLANEOUS

Part numbers begin with 99000.



## 2. DIMENSIONS

Dimensions of the parts in this catalogue are indicated in unit millimeters.

## 3. ABBREVIATIONS

Abbreviations used in this catalogue are as follows:

AR : As required	L : Length
ASSY : Assembly	NT : Number of teeth
F.No. : Frame Number	OPT : Optional
d. : Diameter of material	OS : Over size
ID : Inside diameter	STD : Standard
OD : Outside diameter	T : Thickness
LH : Left hand side	W : Width
RH : Right hand side	

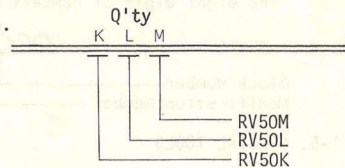
~F.No.12345 : Up to F.No. RV50-12345

F.No.12345~ : From F.No. RV50-12345

Figures in the remarks column show the dimensions of parts as follows:

$$\frac{12}{ID} \times \frac{34}{OD} \times \frac{5.6}{T(\text{or } W, L)}$$

The number or letter shown below Q'ty indicate the MODELS NAME as shown right side.



## 4. INNER PARTS OF ASSEMBLY

Parts number which has a period mark (.) before its parts name shall be indicated its proper inner part of the relative assembly one.

## 5. MODIFICATION NOTICE

The parts bulletin will be sent to you as all occasions when changes in parts occur on machines except interchangeable modifications between new parts and old ones.

Contents are subject to change without notice or obligation.

## 6. COLOR CHART

COLOR No.	COLOR NAME	MANSEL COLOR No.	TYPE			
			RV50K	RV50L	RV50M	
019	BLACK	N1	○	○	○	
046	SILVER METALLIC		○	○	○	
064	PURE WHITE	N9.3	○			
126	PEARL METALLIC		○	○	○	
138	CANDY ORANGE		○	○		
156	CANDY CORPORATE BLUE		○			
164	CANDY LIME GREEN		○	○		
189	EGRET WHITE	5B 8.7/0.3	○	○		
403	BLACK (for seat)		○	○	○	
742	SILVER METALLIC			○		
778	SPECIAL OLEEVE GREEN METALLIC				○	
798	COLORADO ORANGE METALLIC				○	
COMBINATION COLOR						
COLOR No.	COMBINATION		APPLICABLE TO	TYPE		
	A	B		RV50K	RV50L	RV50M
516	156	019		○		
652	138	019		○	○	
653	164	019		○	○	
611	138	126		○	○	
621	156	126		○		
904	164	126		○	○	

\*The figure "999" given on end of the parts number means electrical equipment which is not include its bulb.

NOTE THAT THE DRAWINGS ILLUSTRATED PAGE ARE SUPPLEMENT FOR READY REFERENCE OF SPARE PARTS NUMBER, NOT FOR AN ASSEMBLING MANUAL. WHEN ASSEMBLING, USE "SUZUKI SERVICE MANUAL".

MILLIMETER → INCH CONVERSION CHART

	0	1	2	3	4	5	6	7	8	9
00	.000	.039	.079	.118	.157	.197	.236	.276	.315	.354
10	.394	.433	.472	.512	.551	.591	.630	.669	.709	.748
20	.787	.827	.866	.906	.945	.984	1.024	1.063	1.102	1.142
30	1.181	1.220	1.260	1.299	1.339	1.378	1.417	1.457	1.496	1.535
40	1.575	1.614	1.654	1.693	1.732	1.772	1.811	1.850	1.890	1.929
50	1.969	2.008	2.047	2.087	2.126	2.165	2.205	2.244	2.283	2.323
60	2.362	2.402	2.441	2.480	2.520	2.559	2.598	2.638	2.677	2.717
70	2.756	2.795	2.835	2.874	2.913	2.953	2.992	3.031	3.071	3.110
80	3.150	3.189	3.228	3.268	3.307	3.346	3.386	3.425	3.465	3.504
90	3.543	3.583	3.622	3.661	3.701	3.740	3.780	3.819	3.858	3.898

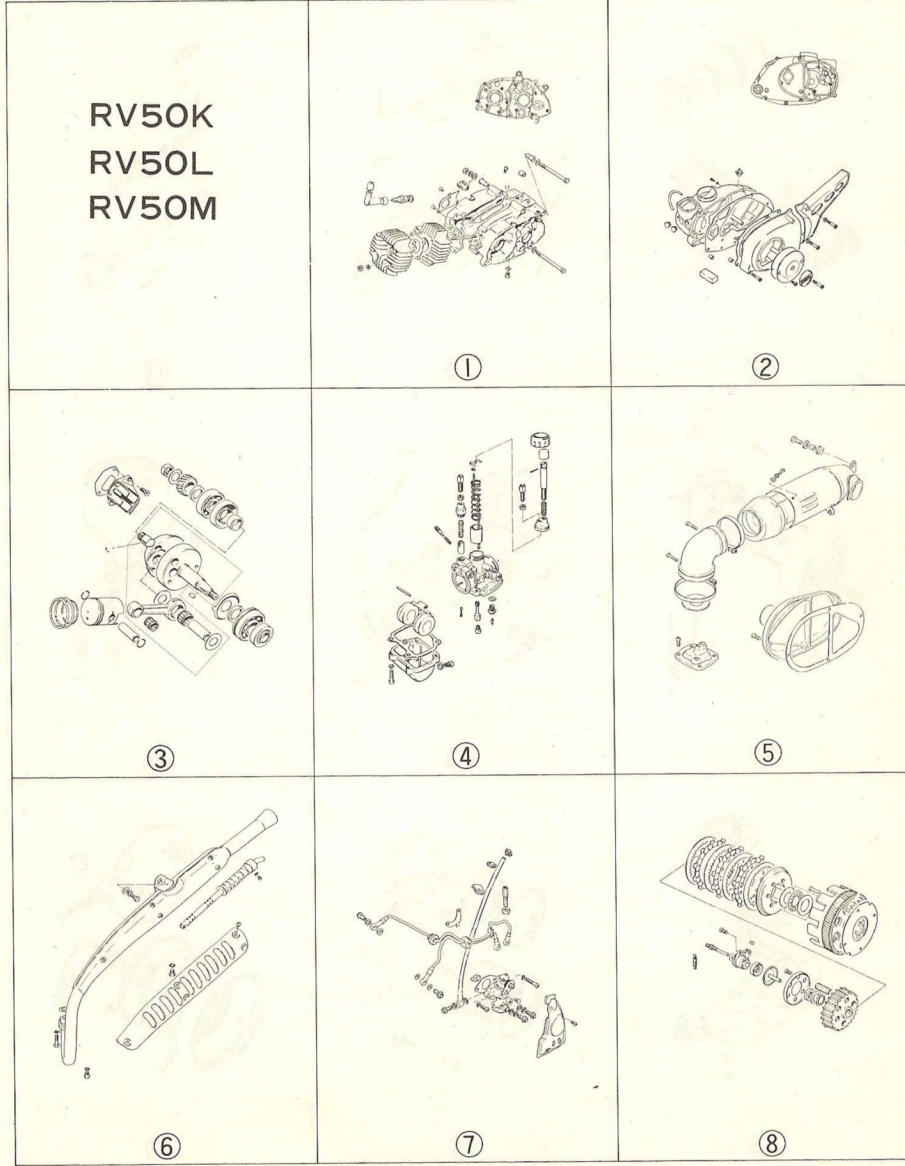
How to Read

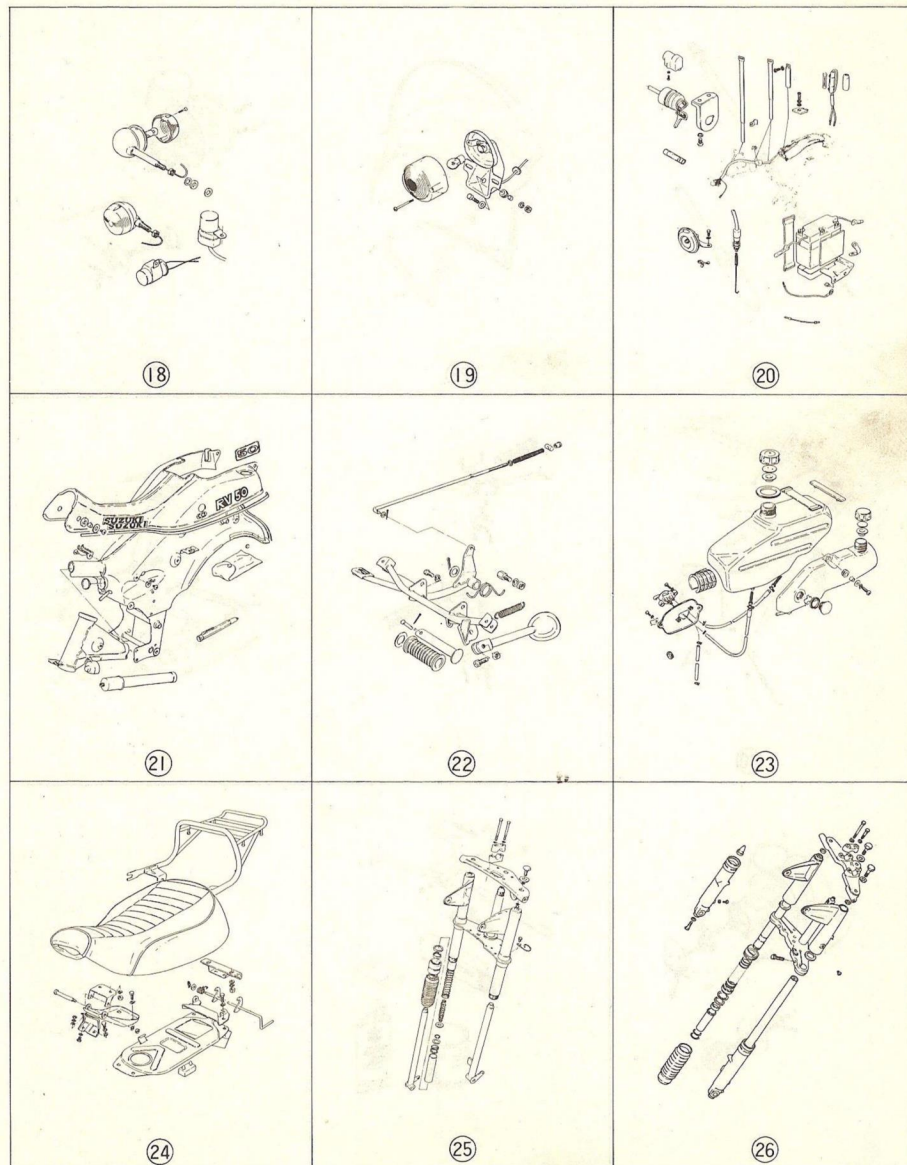
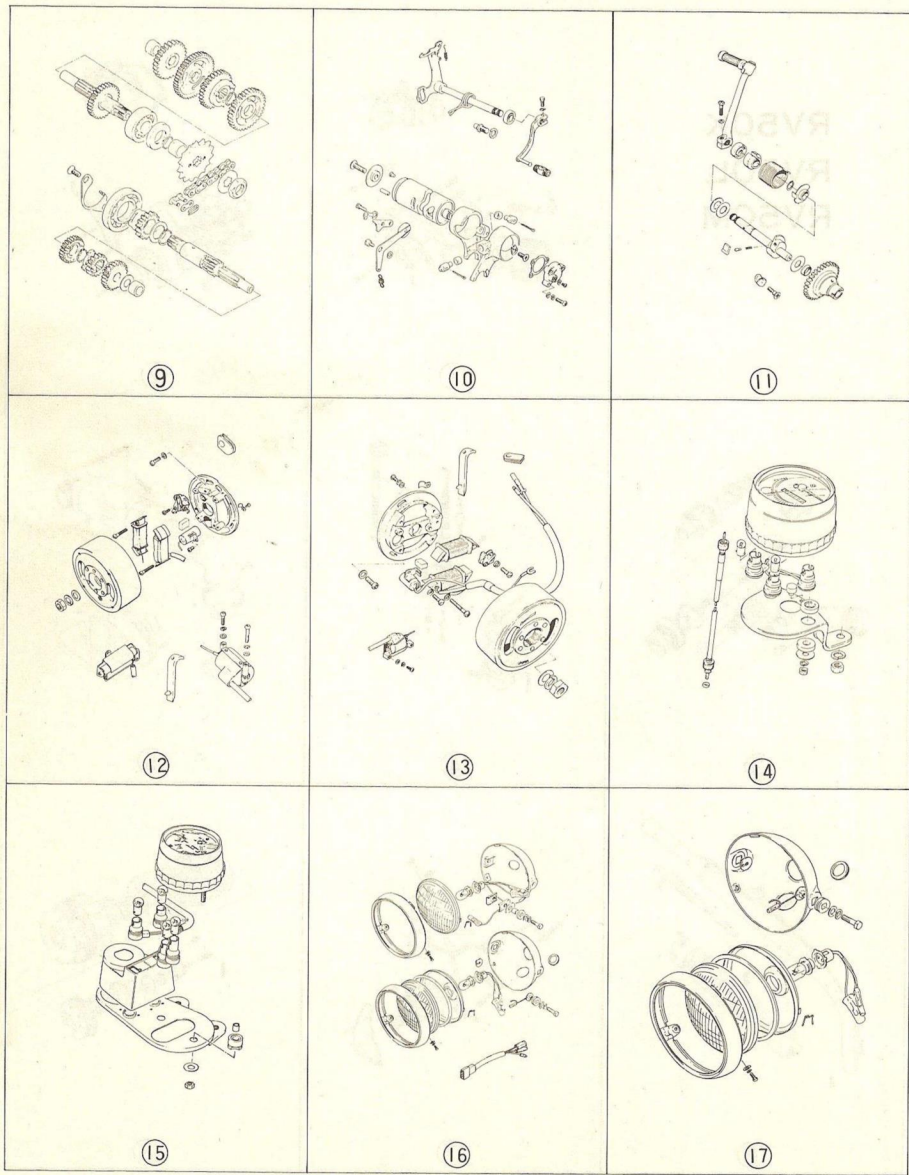
	0	1	2	3	4
00	---	---	---	---	---
10	---	---	---	---	---
20	---	---	---	0.906	---
30	---	---	---	---	---

25 millimeters equal 0.906 inch

Contents are subject to change without notice or obligation.

RV50K  
RV50L  
RV50M





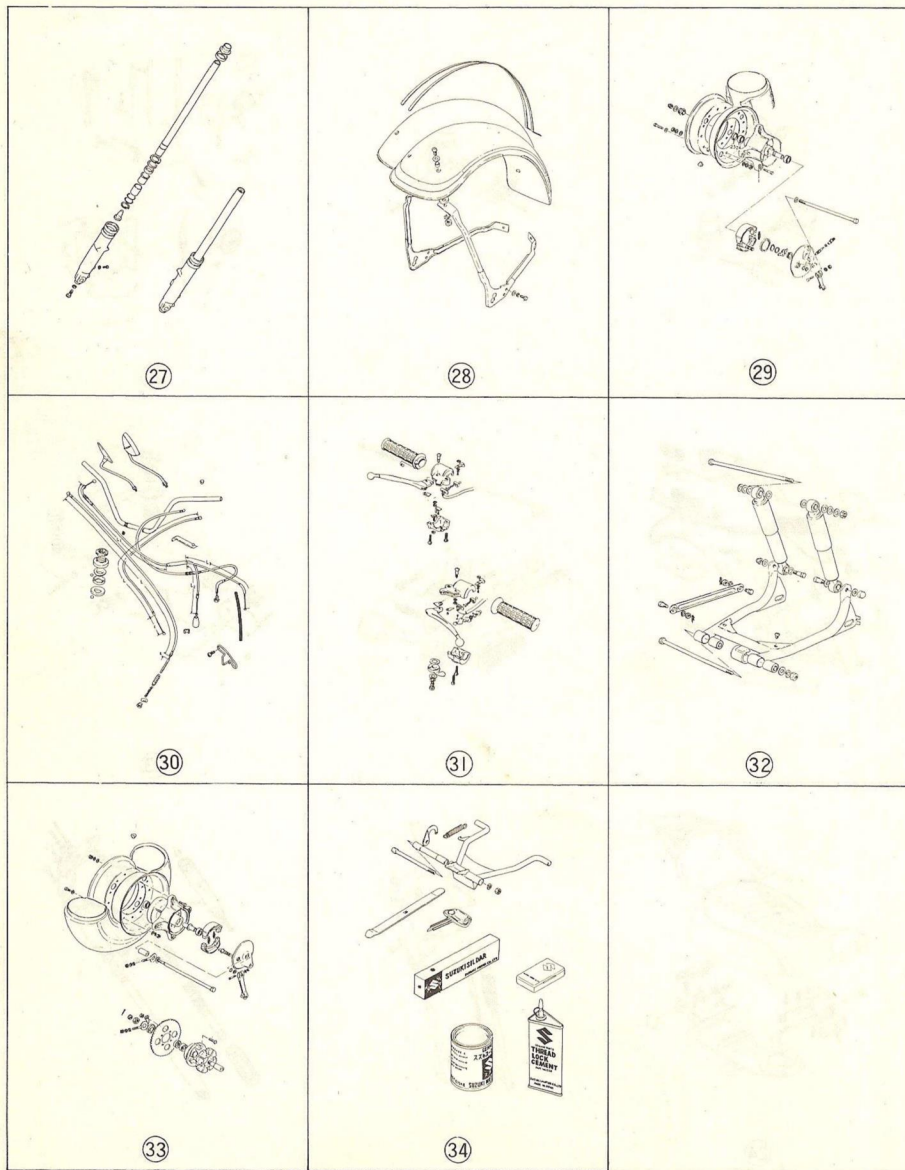


FIG.1 CYLINDER - CRANKCASE

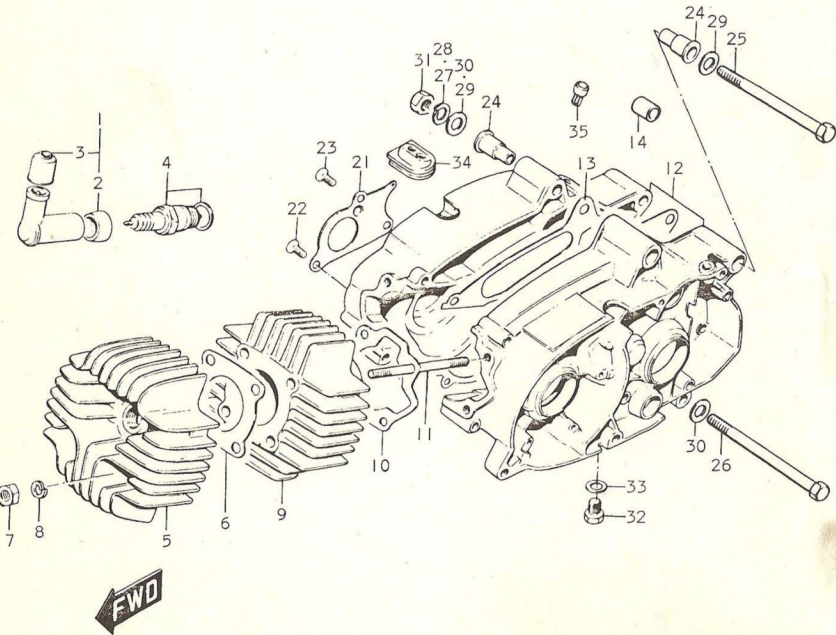
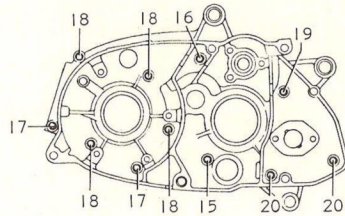


FIG.1 CYLINDER - CRANKCASE

Ref.No.	Part No.	Description	Q'ty			Remarks
			K	L	M	
1-1	33503-10801	CAP ASSY, spark plug	1	1	-	to 33500-69810
1-2	33500-69810	CAP ASSY, spark plug	-	-	1	
2-1	33541-22000	•SEAL, spark plug	1	1	-	to 33541-69010
2-2	33541-69010	•SEAL, spark plug	-	-	1	
3	33542-98000	•SEAL, high tention cord	1	1	1	
4	09482-00059	SPARK PLUG	1	1	1	BP-6HS
5	11111-19001	HEAD, cylinder	1	1	1	
6	11141-14000	GASKET	1	1	1	
7	08311-11068	NUT	4	4	4	
8	08322-21068	WASHER	4	4	4	
9	11210-27200	CYLINDER	1	1	1	
10	11241-19000	GASKET, cylinder	1	1	1	
11	01421-06958	STUD BOLT	4	4	4	
12-1	11303-22805	CRANKCASE ASSY	1	1	-	to 11300-22831
12-2	11300-22831	CRANKCASE ASSY	-	-	1	
13	11481-22001	•GASKET, crankcase	1	1	1	
14	04211-09129	•DOWEL PIN	2	2	2	
15	02112-06608	•SCREW	1	1	1	
16	02112-06557	•SCREW	1	1	1	
17	02112-06458	•SCREW	2	2	2	
18	02112-06408	•SCREW	4	4	4	
19	02112-06358	•SCREW	1	1	-	
20	02112-06307	•SCREW	2	2	2	
21	12561-19002	PLATE, oil reservoir	1	1	1	
22	02122-06128	SCREW	2	2	2	
23	02112-06128	SCREW	1	1	1	



FIG.1 CYLINDER - CRANKCASE

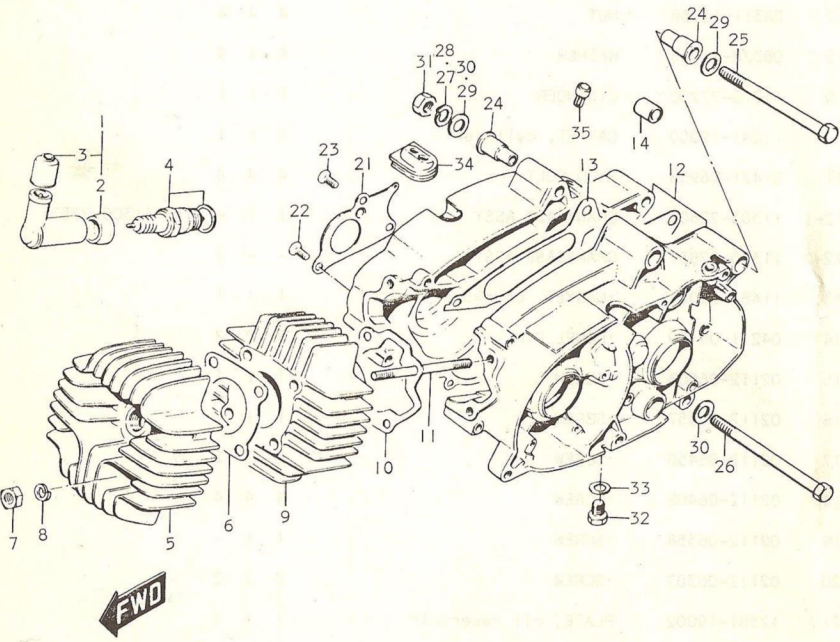
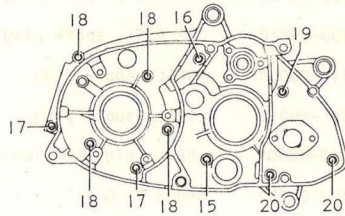


FIG.1 CYLINDER - CRANKCASE

Ref.No.	Part No.	Description	Q'ty			Remarks
			K	L	M	
24-1	09319-08005	BUSH, engine mounting	4	4	-	to 09319-08008
24-2	09319-08008	BUSH, engine mounting	-	-	4	
25	09100-08046	BOLT (1)	2	2	2	
26	09100-08033	BOLT (2)	1	1	1	
27	08321-21088	LOCK WASHER (1)	2	2	2	
28	08321-31088	LOCK WASHER (2)	1	1	1	
29	08322-11088	WASHER (1)	4	4	4	
30	08322-21088	WASHER (2)	2	2	2	
31	08312-11088	NUT	3	3	3	
32-1	09247-14001	PLUG, oil drain	1	1	-	
32-2	09247-10001	PLUG, oil drain	-	-	1	
33-1	09168-14004	GASKET, drain plug	1	1	-	
33-2	09168-10002	GASKET, drain plug	-	-	1	
34	09309-07010	GROMMET, fuel hose	1	1	1	
35	09250-10005	PLUG, breather	1	1	1	

FIG.2 ENGINE COVER

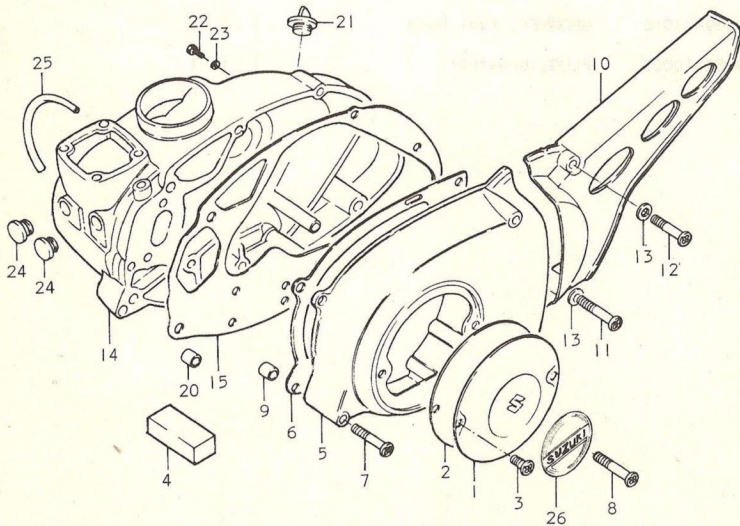
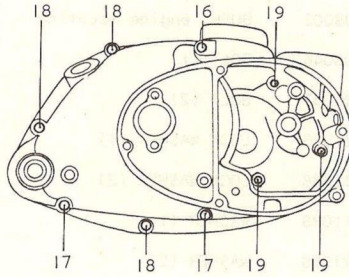


FIG.2 ENGINE COVER

Ref.No.	Part No.	Description	Q'ty			Remarks
			K	L	M	
1	11381-01001	CAP, magneto inspection	1	1	1	
2	11491-27100	GASKET	1	1	1	
3	02111-05087	SCREW	2	2	2	
4	11911-24000	DUST SEAL, magneto chamber	1	2	1	
5-1	11351-22002	COVER, magneto	1	1	1	Lustrous
5-2	11351-22001	COVER, magneto	1	-	-	Without luster
6	11483-22001	GASKET	1	1	1	
7	02112-06508	SCREW	2	2	2	
8	02112-06408	SCREW	2	2	2	
9	04211-09129	DOWEL PIN	1	1	-	
10	11361-27200	COVER, engine sprocket	1	1	1	
11	02112-06458	SCREW	1	1	1	
12	02112-06307	SCREW	1	1	1	
13	08322-21068	WASHER	2	2	2	

FIG.2 ENGINE COVER

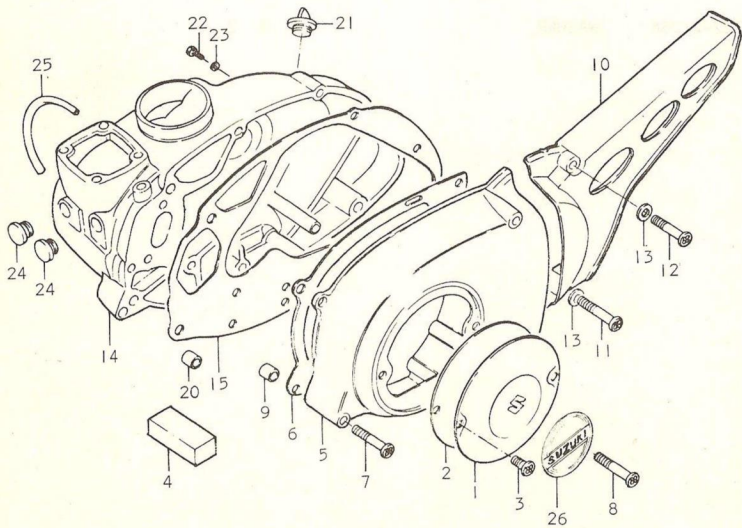
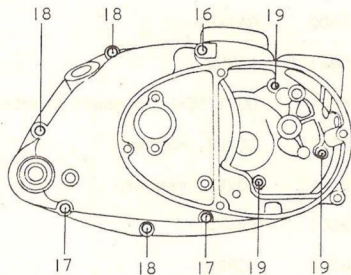


FIG.2 ENGINE COVER

Ref.No.	Part No.	Description	Q'ty			Remarks
			K	L	M	
14-1	11340-22001	COVER, clutch	1	1	1	Lustrous
14-2	11340-22000	COVER, clutch	1	-	-	Without luster
15	11482-22000	GASKET	1	1	1	
16	02112-06808	SCREW	1	1	1	
17	02112-06657	SCREW	1	1	1	
18	02112-06408	SCREW	2	2	-	
19	02112-06258	SCREW	3	3	3	
20	04211-09129	DOWEL PIN	2	2	2	
21	09259-20003	PLUG, oil filler	1	1	1	
22	09128-06004	PLUG, oil level	1	1	1	
23	09168-06001	GASKET	1	1	1	
24	09250-14002	CAP, carburetor clamp hole	2	2	2	
25-1	09344-03007	HOSE, carburetor	1	1	-	to 09344-03014
25-2	09344-03014	HOSE, carburetor	-	-	1	
26	68234-25300	EMBLEM, inspection cap	-	1	1	

FIG.3 PISTON - CRANKSHAFT

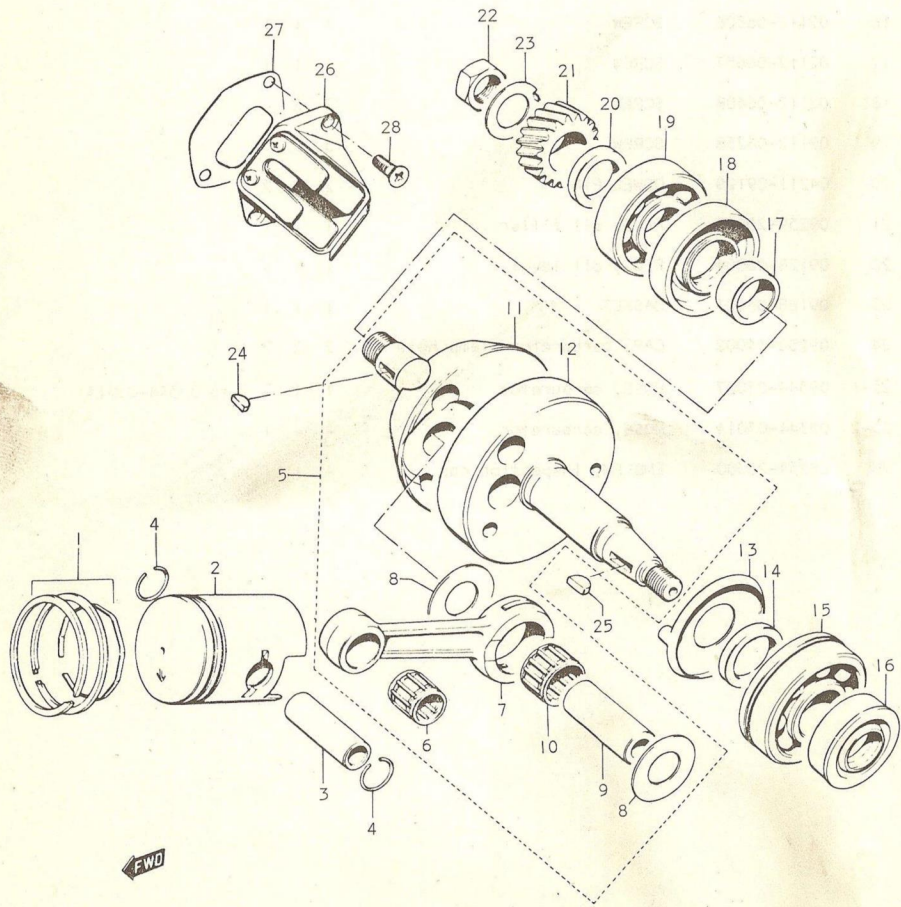


FIG.3 PISTON - CRANKSHAFT

Ref.No.	Part No.	Description	Q'ty			Remarks
			K	L	M	
1-1	12140-05828	RING SET, piston	1	1	1	
1-2	12140-05829	RING SET, piston	1	1	-	OS:0.5
1-3	12100-22820	RING SET, piston	-	-	1	OS:0.5 } OPT
1-4	12140-05830	RING SET, piston	1	1	-	OS:1.0
1-5	12100-22830	RING SET, piston	-	-	1	OS:1.0
2-1	12110-19601	PISTON	1	1	-	to 12110-35000
2-2	12110-35000	PISTON	-	-	1	
2-3	12110-19701	PISTON	1	1	-	OS:0.5 to 12110-35010
2-4	12110-35010	PISTON	-	-	1	OS:0.5 } OPT
2-5	12110-19711	PISTON	1	1	-	OS:1.0 to 12110-35020
2-6	12110-35020	PISTON	-	-	1	OS:1.0
3	12151-02000	PIN, piston	1	1	1	
4	09381-12001	CIRCLIP	2	2	2	
5-1	12000-19803	CRANKSHAFT SET	1	1	-	to 12200-35890
5-2	12200-35890	CRANKSHAFT SET	-	-	1	
6	09263-12003	BEARING, piston pin	1	1	1	
7-1	12161-13100	ROD, connecting	1	1	-	to 12161-35000
7-2	12161-35000	ROD, connecting	-	-	1	
8	09160-16011	THRUST WASHER	2	2	-	
9	12211-19000	PIN, crank	1	1	1	
10	09263-16002	BEARING	1	1	1	
11-1	12221-19001	CRANKSHAFT, RH	1	1	-	
11-2	12221-35000	CRANKSHAFT, RH	-	-	1	
12-1	12261-19000	CRANKSHAFT, LH	1	1	-	
12-2	12261-35000	CRANKSHAFT, LH	-	-	1	

FIG.3 PISTON - CRANKSHAFT

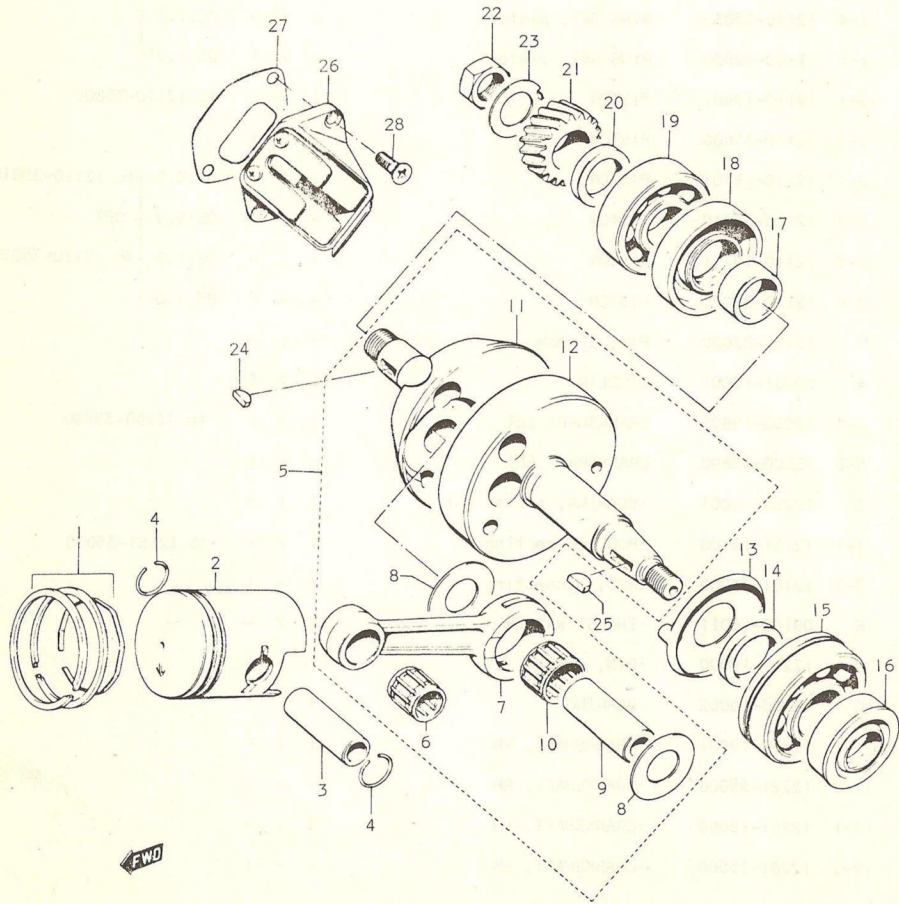


FIG.3 PISTON - CRANKSHAFT

Ref.No.	Part No.	Description	Q'ty			Remarks
			K	L	M	
13	12511-06100	PLATE, oil guide	1	1	1	
14	09180-20017	SPACER	1	1	1	
15	09269-20006	BEARING	1	1	1	
16	09283-20011	OIL SEAL	1	1	1	19.6x37x8
17	09180-17026	SPACER	1	1	1	
18	09283-23001	OIL SEAL	1	1	1	22.2x47x8
19	08113-63030	BEARING	1	1	1	
20	09180-17027	SPACER, crankshaft	1	1	1	
21	21111-19002	GEAR, primary drive	1	1	1	NT:21
22	09140-14002	NUT	1	1	1	
23	09166-14008	WASHER	1	1	1	
24	08341-31039	KEY, primary drive gear	1	1	1	
25	08341-31039	KEY, magneto	1	1	1	
26	13150-35010	REED VALVE ASSY	1	1	1	
27-1	13156-19001	GASKET	1	1	-	to 13156-35000
27-2	13156-35000	GASKET	-	-	1	
28	02121-05167	SCREW	2	2	2	

FIG.4 CARBURETOR

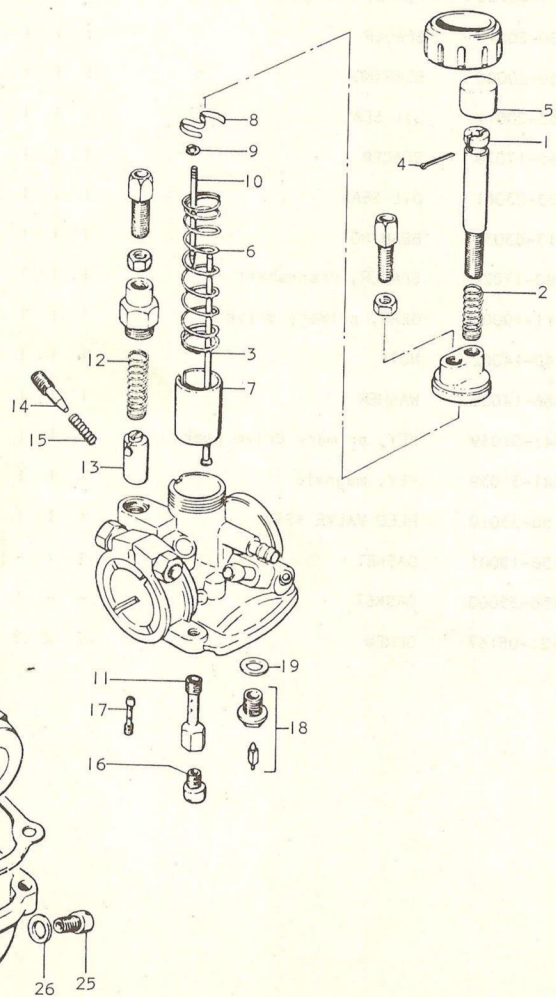


FIG.4 CARBURETOR

Ref.No.	Part No.	Description	Q'ty			Remarks
			K	L	M	
	13200-27210	CARBURETOR ASSY	1	1	1	
1	13267-05010	•SCREW, throttle stop	1	1	1	
2	13268-05010	•SPRING	1	1	1	
3	13296-27210	•ROD, throttle valve stop	1	1	1	
4	04111-12108	•COTTER PIN	1	1	1	
5	13688-08010	•CAP, rod	1	1	1	
6	13573-05010	•SPRING, throttle valve return	1	1	1	
7	13551-19110	•VALVE, throttle	1	1	1	CA:2.5
8	13581-01010	•SEAT, spring	1	1	1	
9	13394-12110	•CLIP, needle	1	1	1	
10	13383-19010	•NEEDLE, jet	1	1	1	3E3-4
11	09494-00110	•JET, needle	1	1	1	E3
12	13417-01010	•SPRING, starter valve	1	1	1	
13	13411-01010	•VALVE, starter	1	1	1	
14	13269-01010	•SCREW, air	1	1	1	
15	13268-01010	•SPRING	1	1	1	
16	09491-65003	•JET, main	1	1	1	#65
17	09492-15003	•JET, pilot	1	1	1	#15
18	13370-01011	•VALVE ASSY, needle	1	1	1	
19	13392-01010	•GASKET, valve seat	1	1	1	
20	13251-01010	•GASKET, float chamber	1	1	1	
21	13252-06110	•FLOAT	1	1	1	
22	13254-11010	•PIN, float	1	1	1	
23	02111-04207	•SCREW	4	4	4	
24	08321-21048	•LOCK WASHER	4	4	4	
25	13247-05010	•PLUG, drain	1	1	1	
26	13249-05010	•GASKET	1	1	1	

FIG.5 AIR CLEANER

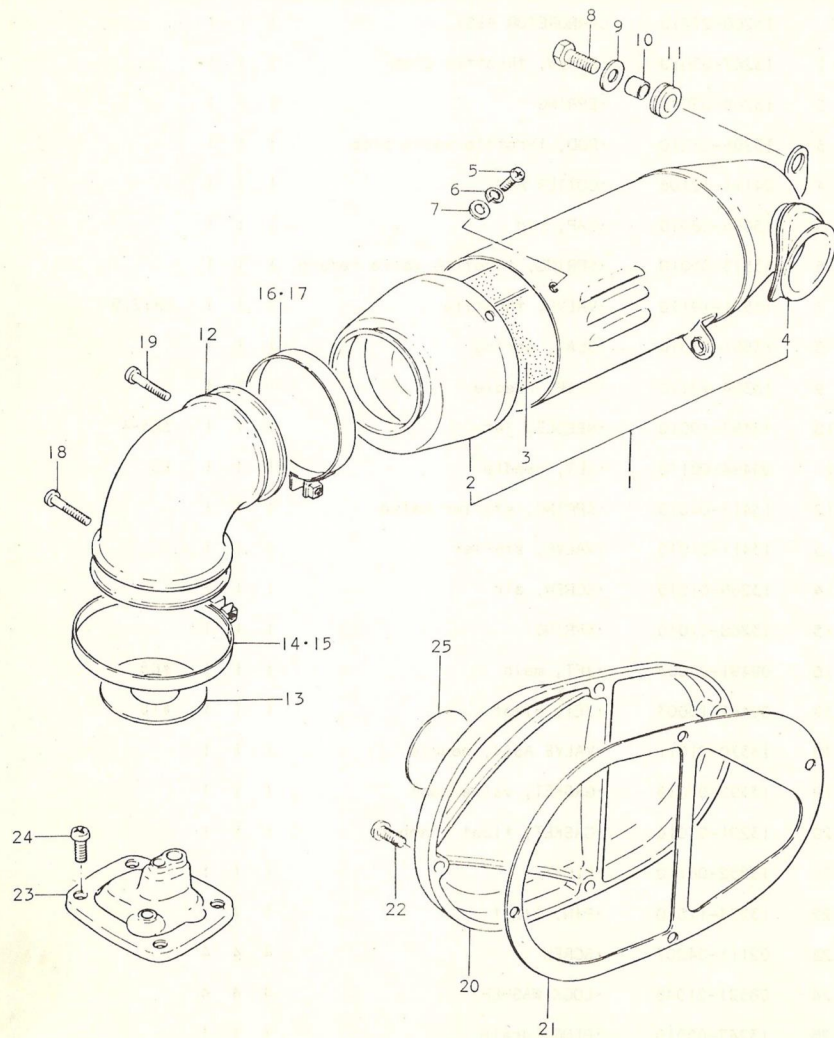


FIG.5 AIR CLEANER

Ref.No.	Part No.	Description	Q'ty			Remarks
			K	L	M	
1-1	13700-27420-611	CLEANER ASSY, air	1	1	-	to 13700-27420-126
1-2	13700-27420-621	CLEANER ASSY, air	1	-	-	to 13700-27420-126
1-3	13700-27420-904	CLEANER ASSY, air	1	1	-	to 13700-27420-126
1-4	13700-27420-126	CLEANER ASSY, air	1	1	-	
1-5	13700-27123-126	CLEANER ASSY, air	-	-	1	
2	13780-27700	·FILTER ASSY	1	1	1	
3	13781-27120	··ELEMENT	1	1	1	
4	13721-27120	·AIR INLET HOSE	1	1	1	
5	02111-04087	·SCREW	3	3	3	
6	08321-21048	·LOCK WASHER	3	3	3	
7	08322-21048	·WASHER	3	3	3	
8	01112-06168	BOLT	1	1	1	
9	09160-06027	WASHER	1	1	1	
10	09180-07005	SPACER	1	1	1	
11	09320-08007	CUSHION	1	1	1	
12-1	13881-27200	HOSE, carburetor air inlet	1	1	-	to 13881-27201
12-2	13881-27201	HOSE, carburetor air inlet	-	-	1	
13	09181-19001	PLATE, carburetor air inlet	1	1	1	
14	09402-00100	CLAMP	1	1	-	to 09402-62306
15	09402-62306	CLAMP	-	-	1	
16	09402-00226	CLAMP	1	1	-	to 09402-58306
17	09402-58306	CLAMP	-	-	1	
18	02111-04207	SCREW	1	1	-	
19	02111-04258	SCREW	1	1	-	

FIG.5 AIR CLEANER

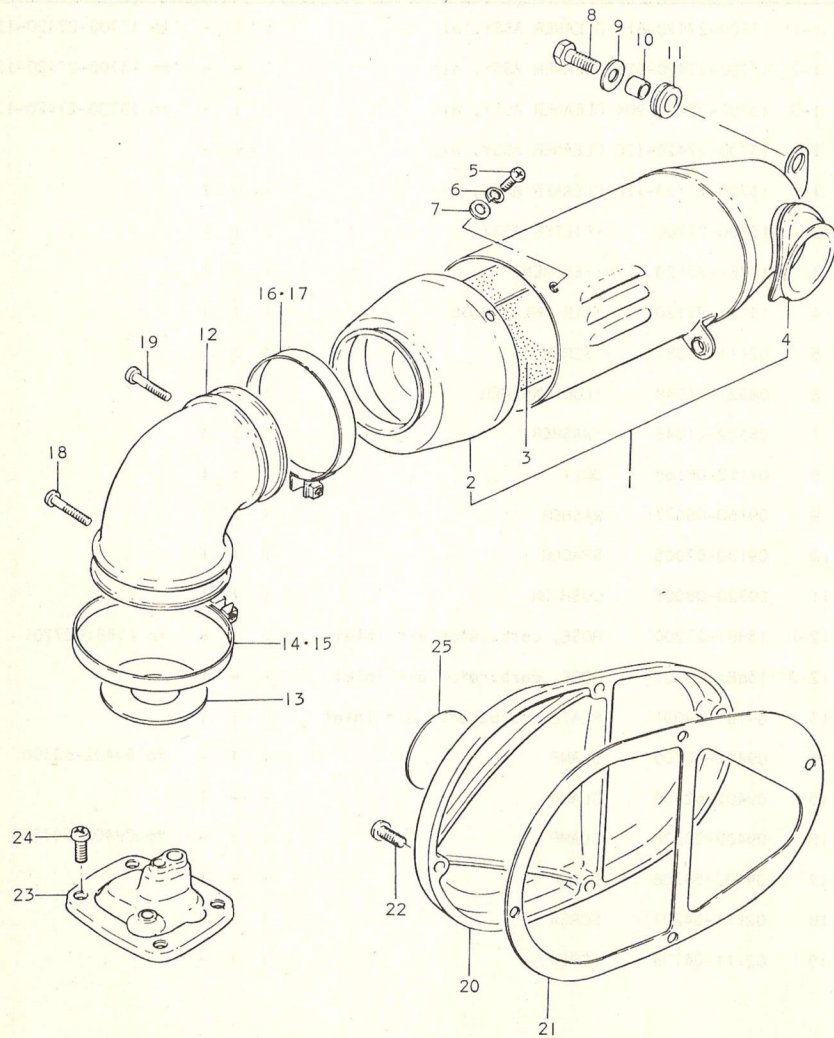


FIG.5 AIR CLEANER

Ref.No.	Part No.	Description	Q'ty			Remarks
			K	L	M	
20	11383-22001	CAP, carburetor inspection	1	1	1	
21	11492-22000	GASKET	1	1	1	
22	02111-05207	SCREW	4	4	4	
23	11440-27200	COVER, carburetor top	1	1	1	
24	02112-05168	SCREW	4	4	4	
25	68234-25300	EMBLEM, inspection cap	-	1	1	



FIG.6 MUFFLER

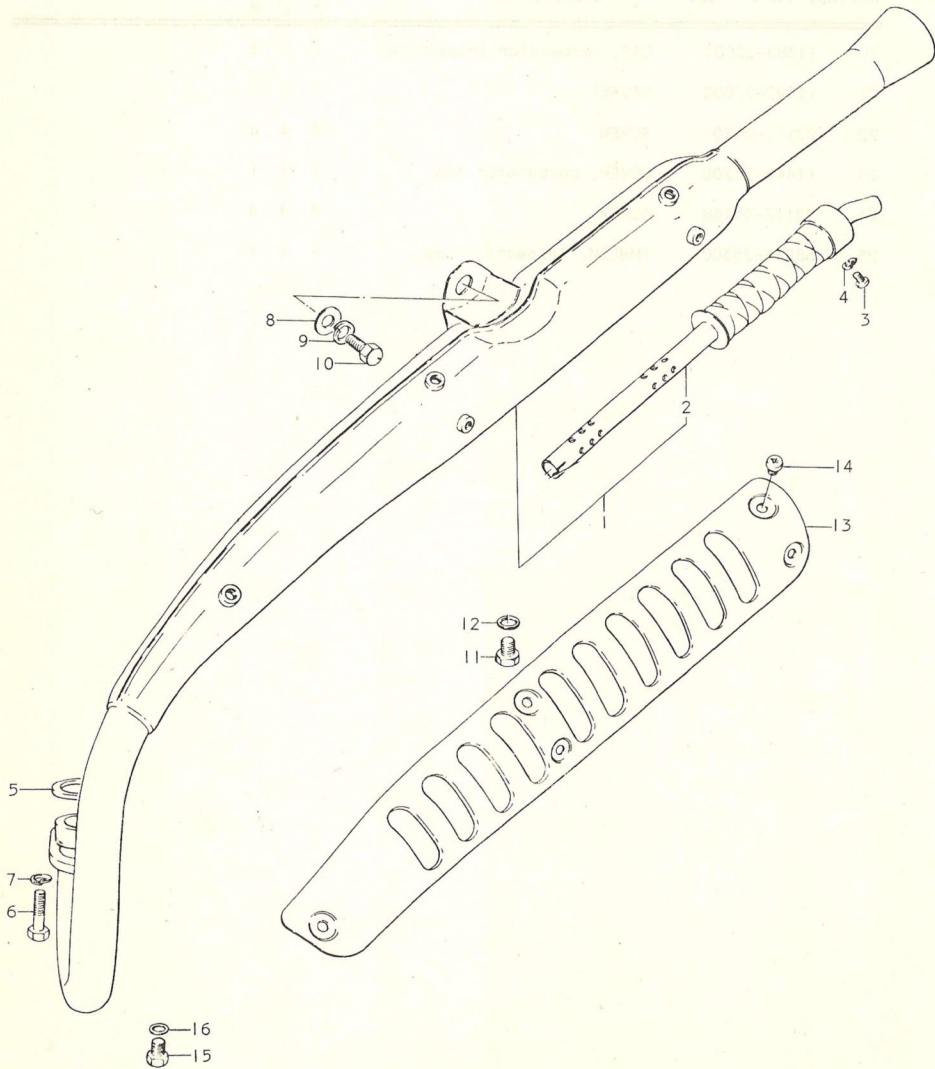


FIG.6 MUFFLER

Ref.No.	Part No.	Description	Q'ty			Remarks
			K	L	M	
1	14301-27640	MUFFLER ASSY	1	1	1	
2-1	14510-27200	PIPE, baffle	1	1	-	
2-2	14510-27201	PIPE, baffle	-	-	1	
3	02111-05068	SCREW	1	1	1	
4	08321-21058	LOCK WASHER	1	1	1	
5	14181-19000	GASKET, exhaust pipe	1	1	1	
6	09100-08001	BOLT	2	2	2	
7	08321-21088	LOCK WASHER	2	2	2	
8	08322-21108	WASHER	1	1	1	
9	08321-21108	LOCK WASHER	1	1	1	
10	01122-10168	BOLT	1	1	1	
11	09100-10004	PLUG, muffler drain	1	1	1	
12	09168-10002	GASKET	1	1	1	
13	14781-27200	COVER, muffler	1	1	1	
14	02112-06068	SCREW	5	5	5	
15	09100-06003	PLUG, exhaust drain	1	1	-	
16	09168-06004	GASKET	1	1	-	

FIG.7 OIL PUMP

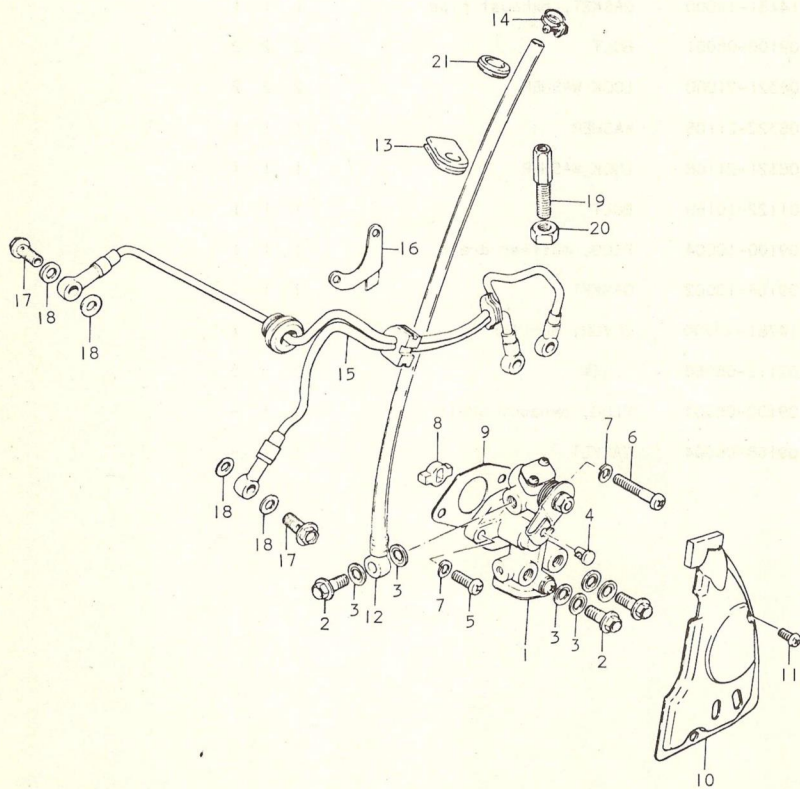


FIG.7 OIL PUMP

Ref.No.	Part No.	Description	Q'ty			Remarks
			K	L	M	
1-1	16100-35831	OIL PUMP ASSY	1	1	-	to 16100-19014
1-2	16100-19014	OIL PUMP ASSY	-	-	1	
2	09360-06003	UNION BOLT	3	3	3	
3-1	09168-06002	GASKET	6	6	-	6.2x12x1.5
3-2	09168-06004	GASKET	-	-	6	6.5x13x1.0
4	16292-03110	TERMINAL, cable	1	1	1	
5	02112-05168	SCREW	1	1	1	
6	02112-05308	SCREW	1	1	1	
7	08321-21058	LOCK WASHER	2	2	2	
8	16391-05030	PIECE, oil pump drive	1	1	1	
9	16731-03100	GASKET	1	1	1	
10	11380-27201	CAP, oil pump inspection	1	1	1	
11	02112-06108	SCREW	1	1	1	
12	16810-05031	HOSE, oil (1)	1	1	1	
13	09309-08002	GROMMET	1	1	1	
14	09400-10301	CLAMP	1	1	1	
15	16820-19032	HOSE, oil (2)	1	1	1	
16	16816-19000	CLAMP	1	1	1	
17	09360-06003	UNION BOLT	2	2	2	
18-1	09168-06002	GASKET	4	4	-	6.2x12x1.5
18-2	09168-06004	GASKET	-	-	4	6.5x13x1.0
19	09119-08014	ADJUSTER, cable	1	1	1	
20	08312-11088	NUT	1	1	1	
21	09308-12002	GROMMET, oil hose	1	1	1	

FIG.8 CLUTCH

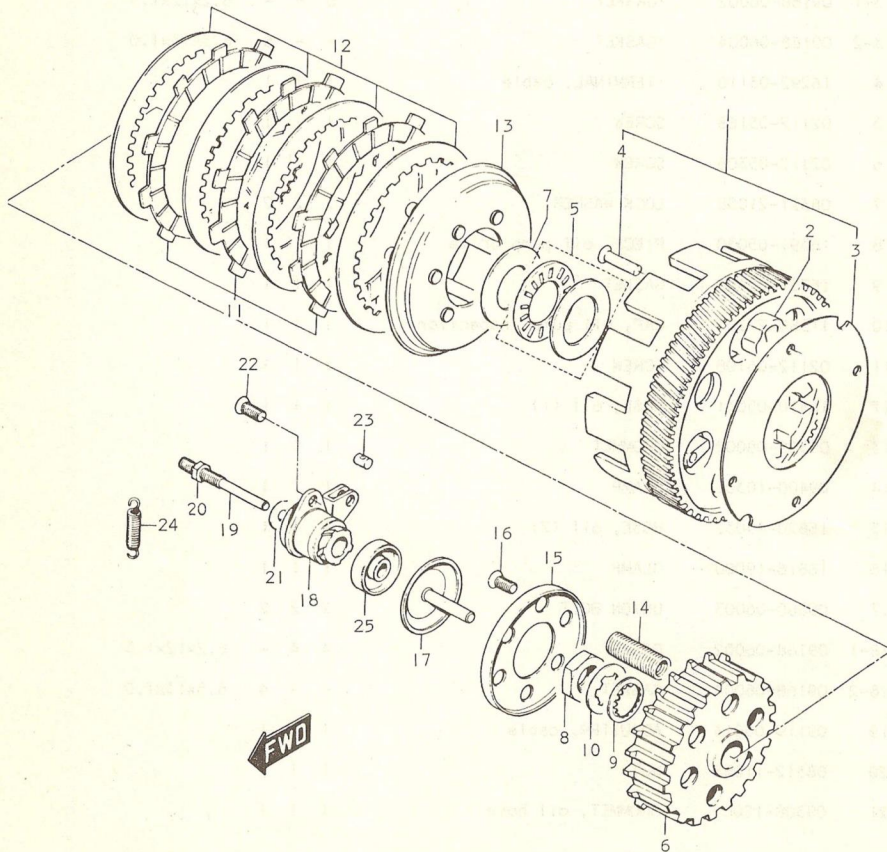


FIG.8 CLUTCH

Ref.No.	Part No.	Description	Q'ty			Remarks
			K	L	M	
1	21200-22001	GEAR, primary driven	1	1	1	NT:73
2	21231-19040	·DUMPER	4	4	4	
3	21241-22000	·PLATE	1	1	1	
4	09221-05001	·RIVET	4	4	4	
5	09263-21006	BEARING	1	1	1	
6	21411-22000	HUB, clutch sleeve	1	1	1	
7	08211-17342	THRUST WASHER	1	1	1	
8	09140-16001	NUT	1	1	1	
9	09167-17001	WASHER	1	1	1	
10	08323-11168	LOCK WASHER	1	1	1	
11	21441-07200	PLATE, drive	3	3	3	
12	21451-22000	PLATE, driven	4	4	4	
13	21462-22000	DISK, pressure	1	1	1	
14	09440-14007	SPRING	6	6	6	
15	21466-07000	PLATE	1	1	1	
16	02121-05167	SCREW	6	6	6	
17	23121-22000	PIECE, push	1	1	1	
18	23200-22000	SCREW ASSY, release	1	1	1	
19	09134-06007	SCREW, adjusting	1	1	1	
20	08311-11068	NUT	1	1	1	
21	09160-06019	WASHER	1	1	1	
22	02112-05168	SCREW	2	2	2	
23	23222-07000	PIECE	1	1	1	
24	09443-08001	SPRING	1	1	1	
25	09285-05005	OIL SEAL, push rod	1	1	1	

FIG.9 TRANSMISSION

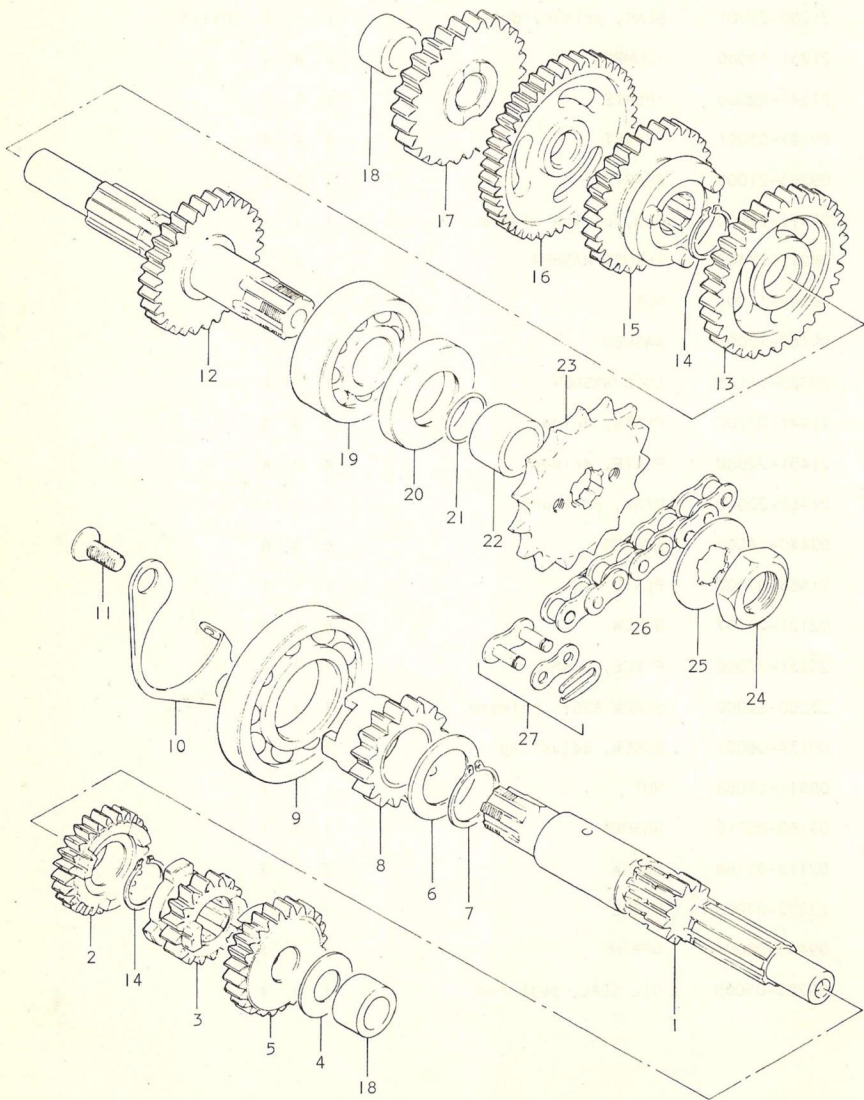


FIG.9 TRANSMISSION

Ref.No.	Part No.	Description	Q'ty			Remarks
			K	L	M	
1	24121-22100	SHAFT, counter	1	1	1	
2	24231-22100	GEAR, 3rd drive	1	1	1	NT:19
3	24221-22100	GEAR, 2nd drive	1	1	1	NT:15
4-1	08211-12261	THRUST WASHER LH	-	1	1	
4-2	08211-12241	THRUST WASHER LH	1	-	-	
5	24241-22100	GEAR, 4th drive	1	1	1	NT:25
6	09160-21005	THRUST WASHER	1	1	1	2.1x30x1
7	08331-11219	CIRCLIP, countershaft	1	1	1	
8	26280-19000	GEAR, kick starter driven	1	1	1	NT:16
9	09262-30003	BEARING, countershaft	1	1	1	
10	24741-05000	RETAINER, bearing	1	1	1	
11-1	02121-06108	SCREW	-	2	2	
11-2	02122-06168	SCREW	2	-	-	
12	24131-22100	SHAFT, drive	1	1	1	
13	24321-22100	GEAR, 2nd driven	1	1	1	NT:33
14	09380-17001	CIRCLIP	2	2	2	
15	24331-22100	GEAR, 3rd driven	1	1	1	NT:30
16	24310-22100	GEAR, 1st driven	1	1	1	NT:44
17	26260-19002	GEAR, kick starter idle	1	1	1	NT:26
18	09300-12008	BUSH, missionshaft	2	2	2	

FIG.9 TRANSMISSION

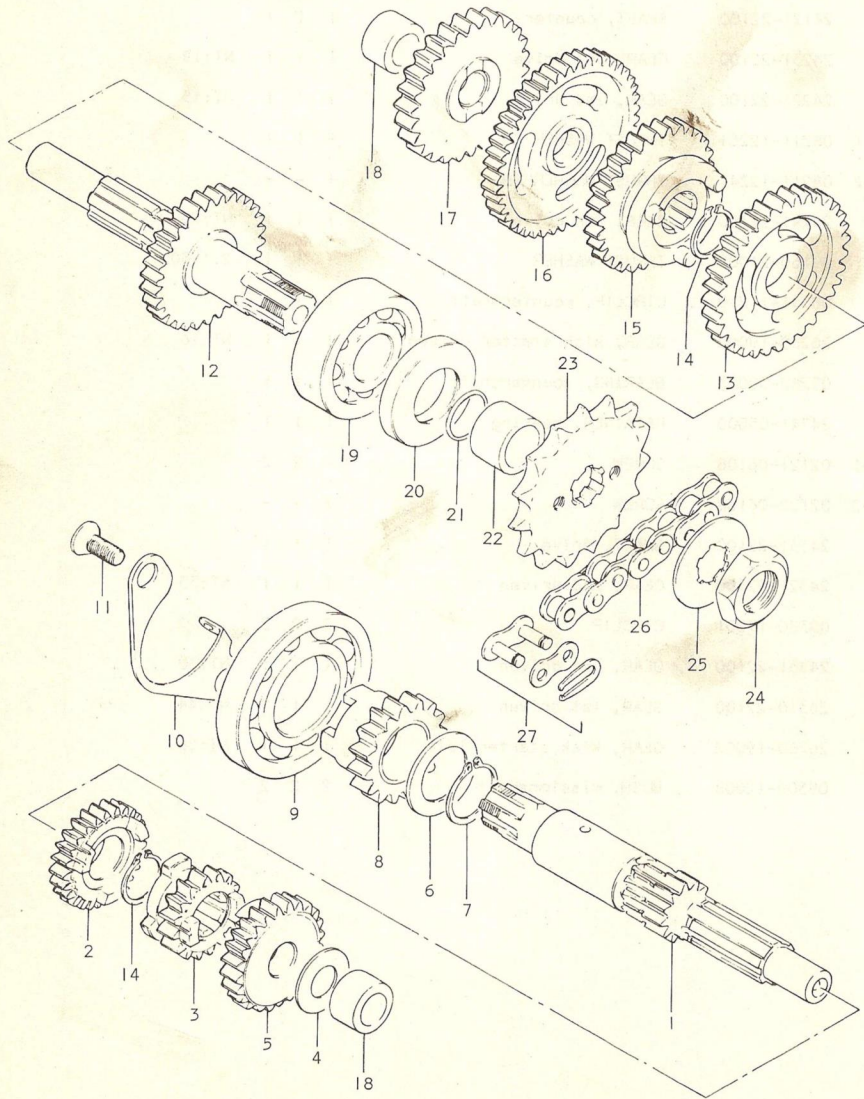


FIG.9 TRANSMISSION

Ref.No.	Part No.	Description	Q'ty			Remarks
			K	L	M	
19	08113-63030	BEARING, driveshaft	1	1	-	
20	09283-21001	OIL SEAL, driveshaft	1	1	1	
21	09280-17001	O RING	1	1	1	
22	09180-17008	SPACER	1	1	1	
23	27511-26000	SPROCKET	1	1	1	NT:15
24	09140-16002	NUT	1	1	1	
25	09167-16001	LOCK WASHER	1	1	1	
26	27600-05011	CHAIN ASSY, drive	1	1	1	#420, 96ℓ
27	27620-01011	JOINT, drive chain	1	1	1	



FIG.10 GEAR SHIFTING

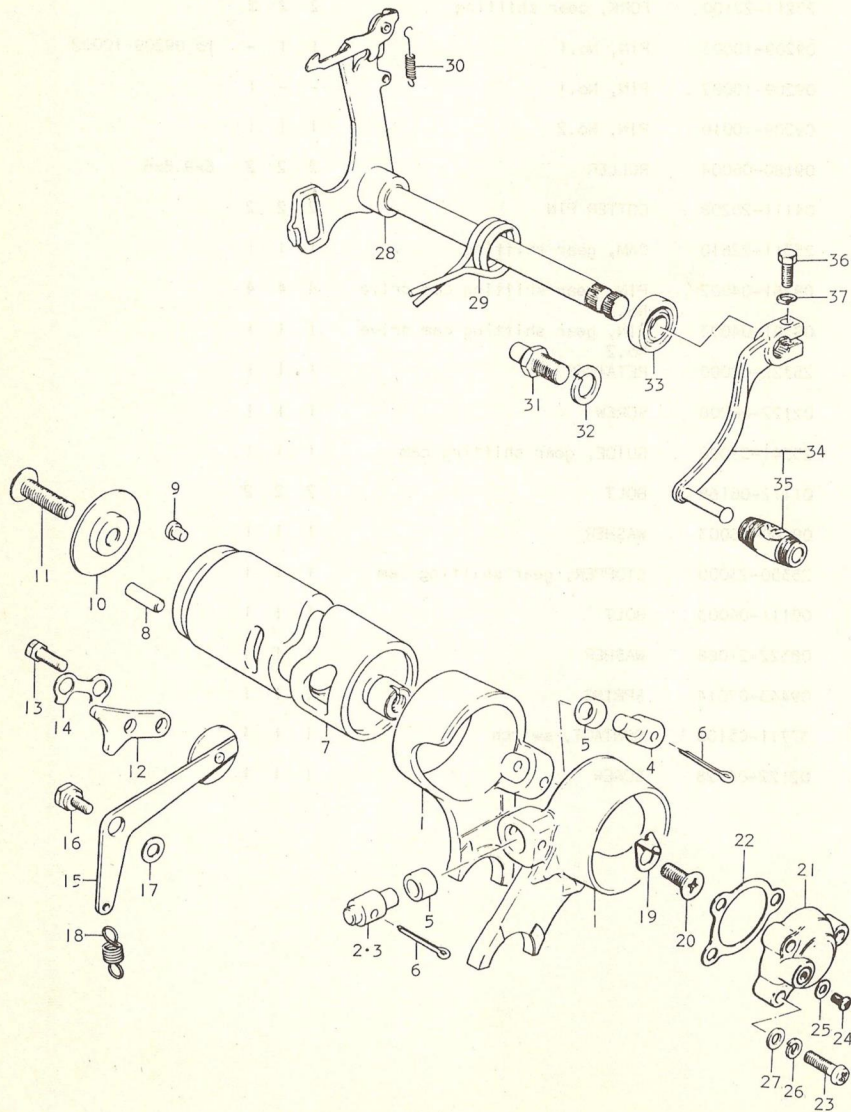


FIG.10 GEAR SHIFTING

Ref.No.	Part No.	Description	Q'ty			Remarks
			K	L	M	
21	37721-05100	BODY, switch	1	1	1	
22	37712-01000	GASKET	1	1	1	
23-1	02111-04207	SCREW	-	3	3	
23-2	02111-04168	SCREW	3	-	-	
24-1	02111-03048	SCREW	-	1	1	
24-2	02111-03067	SCREW	1	-	-	
25	08322-21038	WASHER	1	1	1	
26	08321-21048	LOCK WASHER	3	3	3	
27	08322-21068	WASHER	3	3	3	
28	25510-22100	SHAFT, gear shifting	1	1	1	
29-1	09444-26006	SPRING, pawl return	1	1	-	to 09444-26005
29-2	09444-26005	SPRING, pawl return	-	-	1	
30	09443-06008	SPRING, pawl return	1	1	1	
31	25671-19000	STOPPER, gear shifting arm	1	1	1	
32	08321-21108	LOCK WASHER	1	1	1	
33	09285-12002	OIL SEAL	1	1	1	
34-1	25600-05103	LEVER, gear shifting	1	1	-	to 25600-05104
34-2	25600-05104	LEVER, gear shifting	-	-	1	
35	25652-16500	RUBBER, gear shifting lever	1	1	1	
36	01112-06208	BOLT	1	1	1	
37	08321-21068	LOCK WASHER	1	1	1	

FIG.11 KICK STARTER

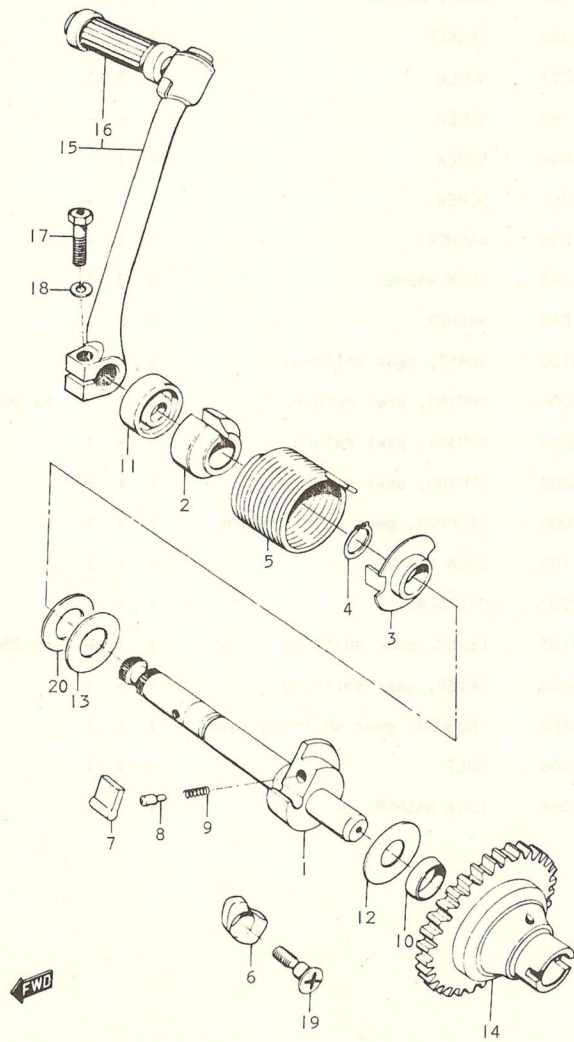


FIG.11 KICK STARTER

Ref.No.	Part No.	Description	Q'ty			Remarks
			K	L	M	
1	26211-05000	SHAFT, kick starter	1	1	1	
2	26221-01030	GUIDE, spring	1	1	1	
3	26222-01001	HOLDER, spring	1	1	1	
4	08331-11149	CIRCLIP	1	1	1	
5	09448-38002	SPRING, kick starter shaft	1	1	1	
6	26232-06000	LIFTER, kick starter pawl	1	1	1	
7	26231-01000	PAWL, kick starter	1	1	1	
8	09209-05012	PIN	1	1	1	
9	09440-04010	SPRING	1	1	1	
10	09284-12006	OIL SEAL	1	-	-	
11	09285-14001	OIL SEAL	1	1	1	
12	08211-12302	THRUST WASHER	1	1	1	
13	09160-14016	THRUST WASHER	1	1	1	
14	26241-35000	GEAR, kick starter drive	1	1	1	
15	26300-03002	LEVER ASSY, kick starter	1	1	1	
16	26352-01000	RUBBER	1	1	1	
17	01112-06208	BOLT	1	1	1	
18	08321-21068	LOCK WASHER	1	1	-	
19	09139-06002	SCREW, pawl lifter	1	1	1	
20	09164-14004	WAVE WASHER	1	1	1	



FIG.12 FLY WHEEL MAGNETO

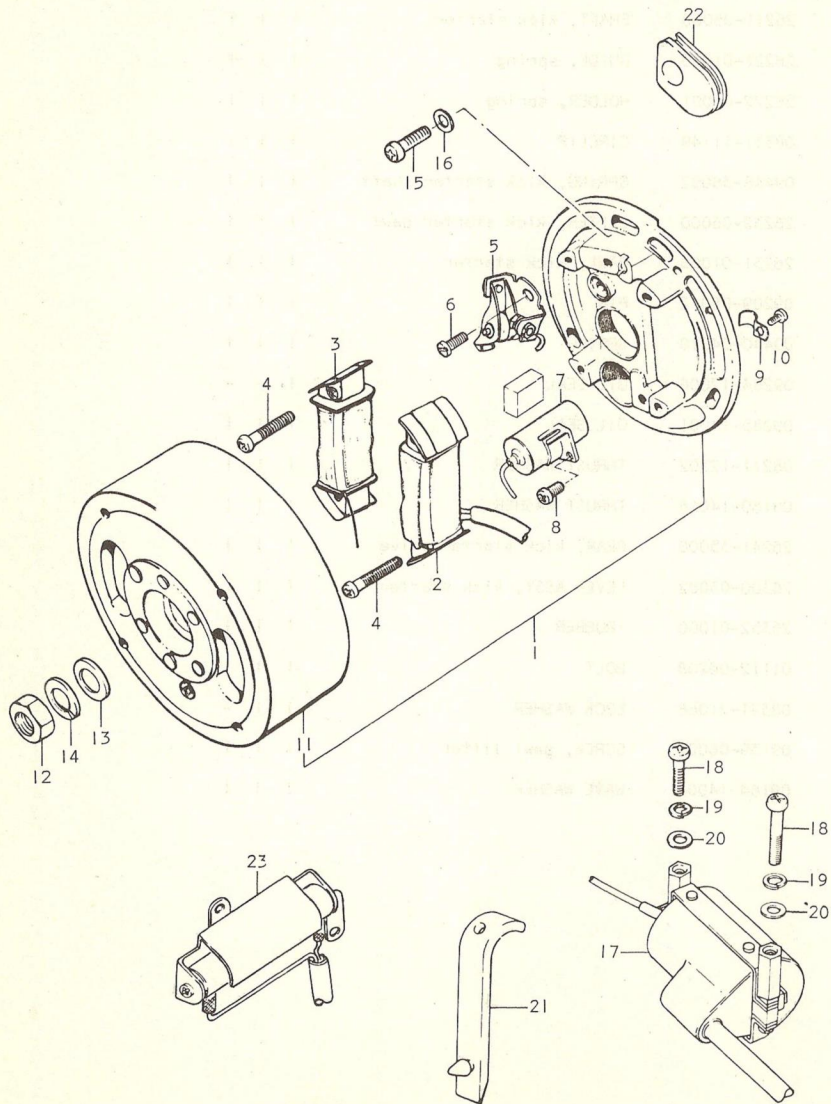


FIG.12 FLYWHEEL MAGNETO

Ref.No.	Part No.	Description	Q'ty			Remarks
			K	L	M	
1-1	32100-26613	MAGNETO ASSY	-	1	-	to 32100-26614
1-2	32100-26612	MAGNETO ASSY	1	-	-	
2-1	32120-26611	·LIGHTING COIL	-	1	-	to 32120-26612
2-2	32120-26610	·LIGHTING COIL	1	-	-	
3-1	32140-03110	·IGNITION, primary coil	1	-	-	
3-2	32140-26611	·IGNITION, primary coil	-	1	-	
4	02111-04258	·SCREW	4	4	-	
5	32240-28010	·CONTACT POINT ASSY	1	1	-	
6	02311-04108	·SCREW	1	1	-	
7	32341-03110	·CONDENSER	1	1	-	
8	02111-04107	·SCREW	1	1	-	
9-1	32371-03010	·LEAD WIRE CLAMP	1	-	-	to 32371-03020
9-2	32371-03020	·LEAD WIRE CLAMP	-	1	-	
10	02111-04107	·SCREW	1	1	-	
11-1	32102-26613	·ROTOR	-	1	-	
11-2	32102-26612	·ROTOR	1	-	-	
12	08311-11108	NUT	1	1	-	
13	08322-21108	WASHER	1	1	-	
14	08321-21108	LOCK WASHER	1	1	-	
15	02112-05168	SCREW	3	3	-	
16	08322-21058	WASHER	3	3	-	

FIG.12 FLY WHEEL MAGNETO

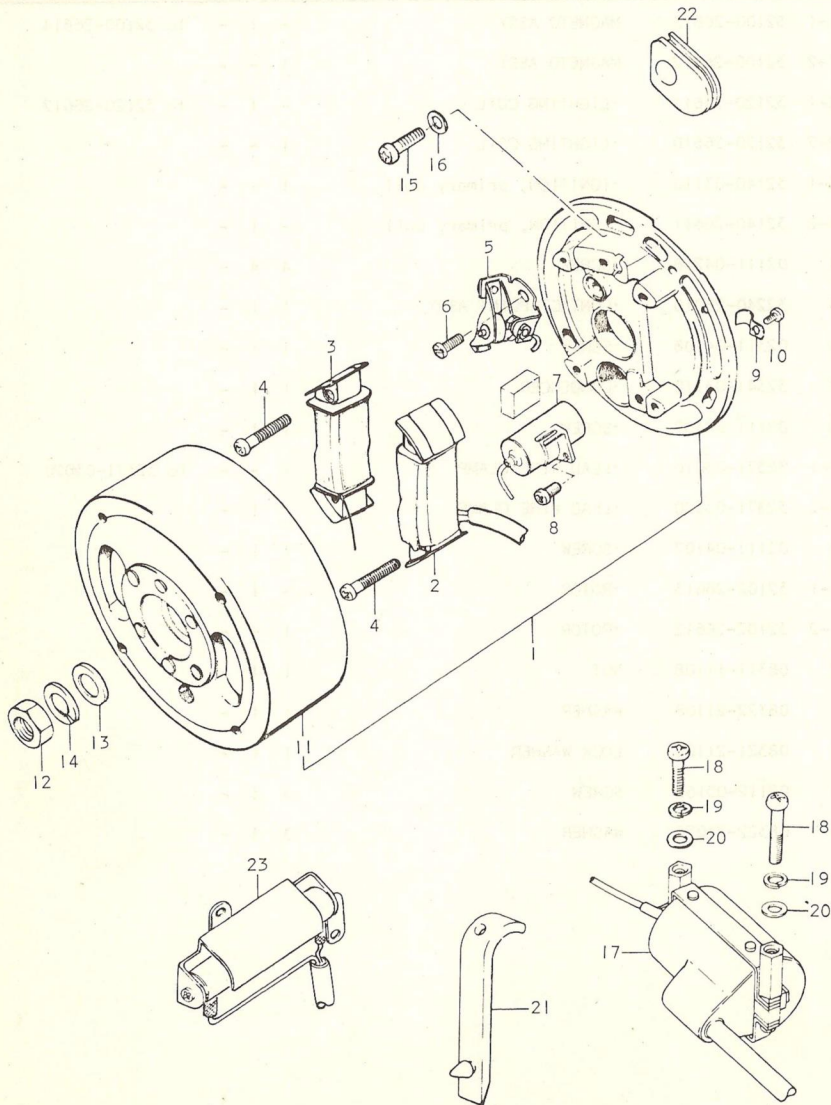


FIG.12 FLYWHEEL MAGNETO

Ref.No.	Part No.	Description	Q'ty			Remarks
			K	L	M	
17	33410-27210	COIL ASSY, ignition	1	1	-	
18	02112-05168	SCREW	2	2	-	
19	08321-21058	LOCK WASHER	2	2	-	
20	08322-21058	WASHER	2	2	-	
21	09407-05402	BAND, lead wire	1	1	-	
22	09309-09006	GROMMET, magneto	1	1	-	
23	36500-27622	RESISTOR ASSY, magneto	1	1	-	

FIG.13 FLY WHEEL MAGNETO

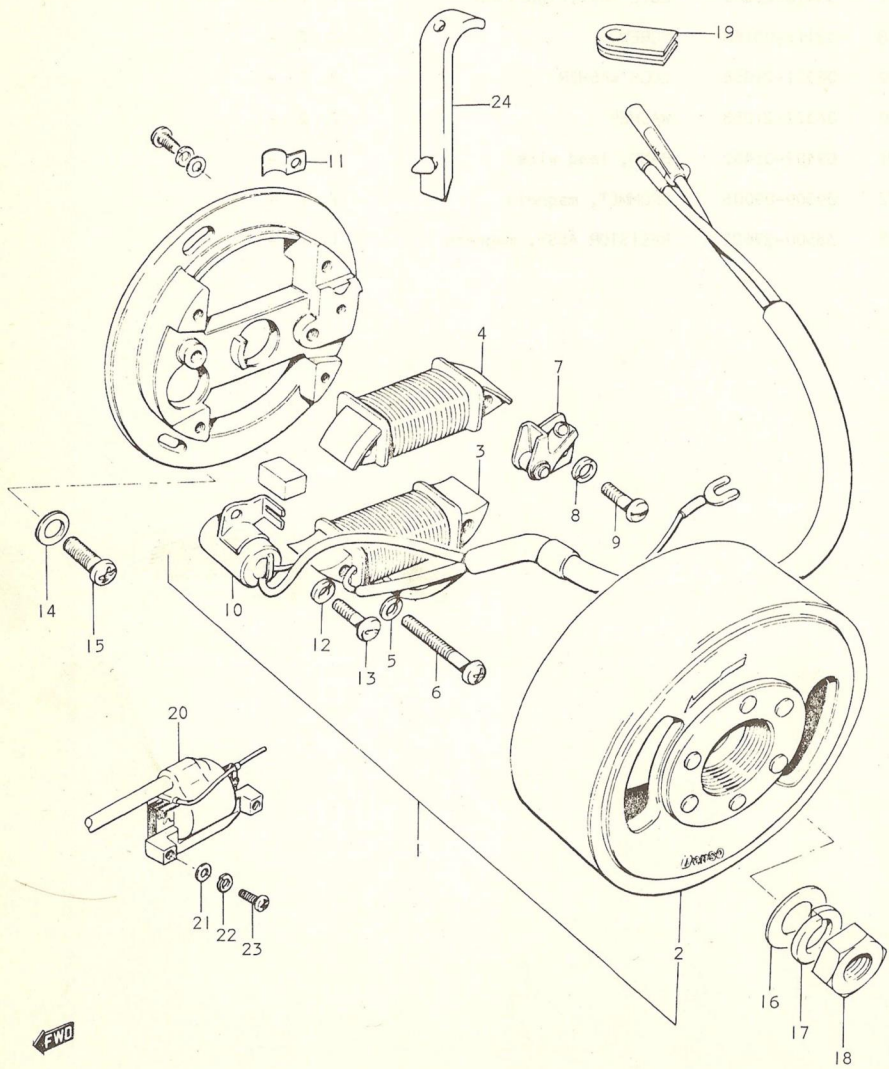


FIG.13 FLYWHEEL MAGNETO

Ref.No.	Part No.	Description	Q'ty			Remarks
			K	L	M	
1	32100-22011	FLYWHEEL MAGNETO ASSY	-	-	1	
2	32102-22011	·ROTOR	-	-	1	
3	32120-03110	·COIL, lighting	-	-	1	
4	32140-03110	·COIL, primary	-	-	1	
5	08321-21048	·LOCK WASHER	-	-	4	
6	02111-04258	·SCREW	-	-	4	
7	32240-28010	·POINT ASSY, contact	-	-	1	
8	08321-21048	·LOCK WASHER	-	-	1	
9	02111-04107	·SCREW	-	-	1	
10	32341-03110	·CONDENSER	-	-	1	
11	32371-03020	·CLAMP	-	-	1	
12	08321-21048	·LOCK WASHER	-	-	1	
13	02111-04067	·SCREW	-	-	1	
14	08322-21058	WASHER	-	-	3	
15	02112-05168	SCREW	-	-	3	
16	08322-21108	WASHER	-	-	1	
17	08321-21108	LOCK WASHER	-	-	1	
18	08311-11108	NUT	-	-	1	
19	09309-09006	GROMMET	-	-	1	
20	33410-27210	COIL ASSY, ignition	-	-	1	
21	08322-21058	WASHER	-	-	2	
22	08321-21058	LOCK WASHER	-	-	2	
23	02112-05168	SCREW	-	-	2	
24	09407-05402	BAND, lead wire	-	-	1	

FIG.14 SPEEDOMETER

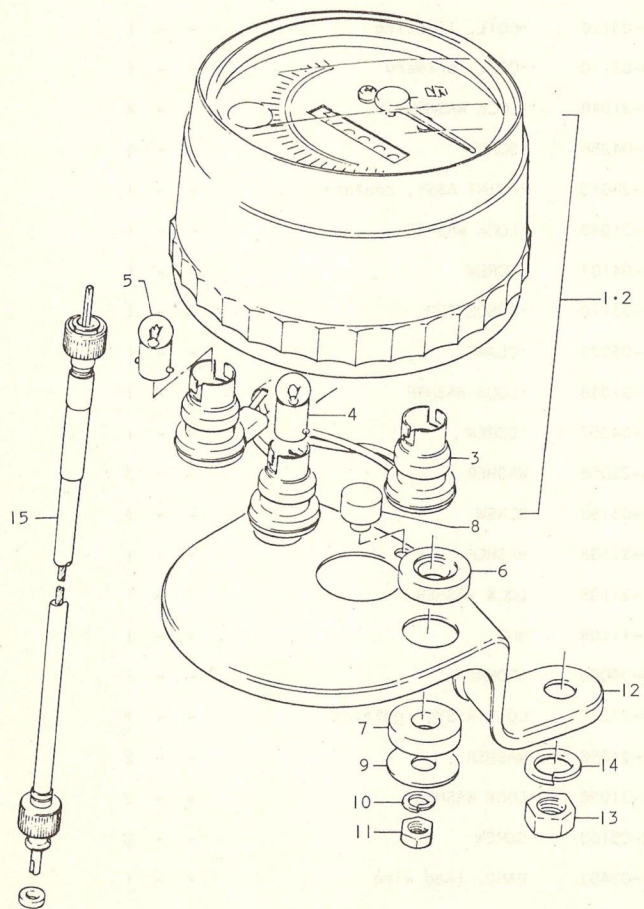


FIG.14 SPEEDOMETER

Ref.No.	Part No.	Description	Q'ty			Remarks
			K	L	M	
1	34100-27691	SPEEDOMETER ASSY	1	1	-	Mile
2	34100-27121	SPEEDOMETER ASSY	1	1	-	Kilo
3	34170-27120	SOCKET ASSY	1	1	-	
4	09471-06002	BULB, neutral & pilot	2	2	-	6V, 3W
5	09471-06001	BULB, turn signal	1	1	-	6V, 1.7W
6	34955-20000	CUSHION (1)	2	2	-	
7	09320-08004	CUSHION (2)	2	2	-	
8	34957-05100	CUSHION (3)	1	1	-	
9-1	09160-06007	WASHER	-	2	-	
9-2	09160-05024	WASHER	2	-	-	
10	08321-21058	LOCK WASHER	2	2	-	
11	08311-11058	NUT	2	2	-	
12	34950-26001	BRACKET, speedometer	1	1	-	
13	08312-11088	NUT	2	2	-	
14	08321-21088	LOCK WASHER	2	2	-	
15	34910-22330	CABLE ASSY, speedometer	1	1	-	

FIG.15 SPEEDOMETER

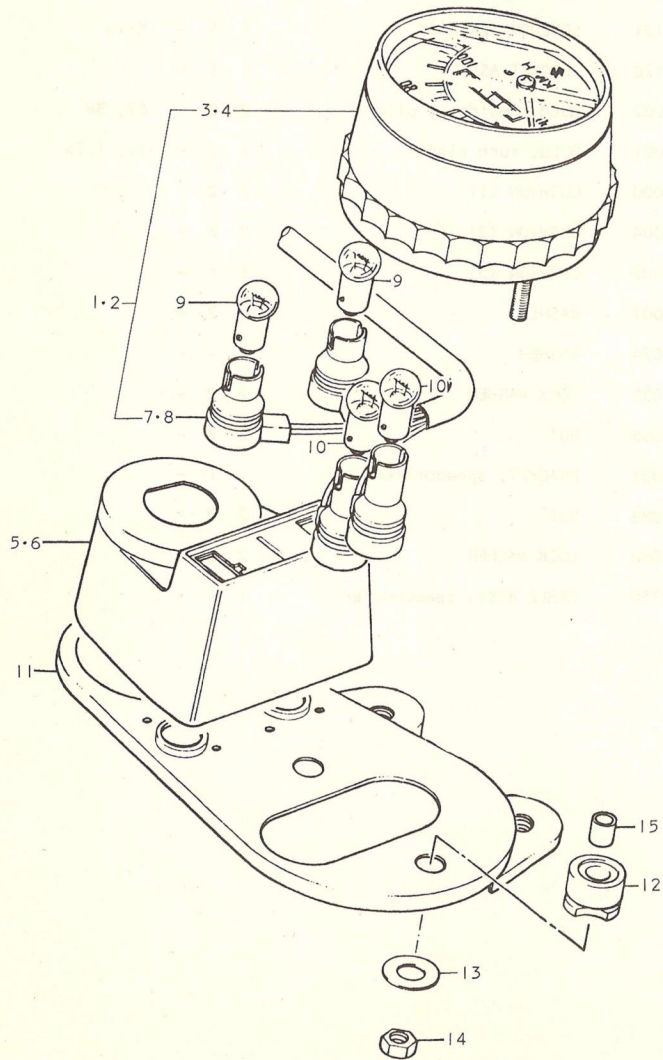


FIG.15 SPEEDOMETER

Ref.No.	Part No.	Description	Q'ty			Remarks
			K	L	M	
1	34100-27123	SPEEDOMETER ASSY	-	-	1	KILO SCALE
2	34100-27693	SPEEDOMETER ASSY	-	-	1	MILE SCALE
3	34110-27123	•SPEEDOMETER	-	-	1	KILO
4	34110-27693	•SPEEDOMETER	-	-	1	MILE
5	34980-25721	•CASE, pilot bulb	-	-	1	KILO
6	34980-25621	•CASE, pilot bulb	-	-	1	MILE
7	34170-27021	•SOCKET	-	-	1	KILO
8	34170-27693	•SOCKET	-	-	1	MILE
9	09471-06002	•BULB	-	-	2	
10	09471-06001	•BULB	-	-	2	KILO ... 1
11	34950-27021	•BRACKET	-	-	1	
12	34955-16420	•CUSHION	-	-	2	
13	34973-18620	•WASHER	-	-	2	
14	08311-11058	•NUT	-	-	2	
15	34972-25721	•SPACER	-	-	2	

FIG.16 HEADLAMP

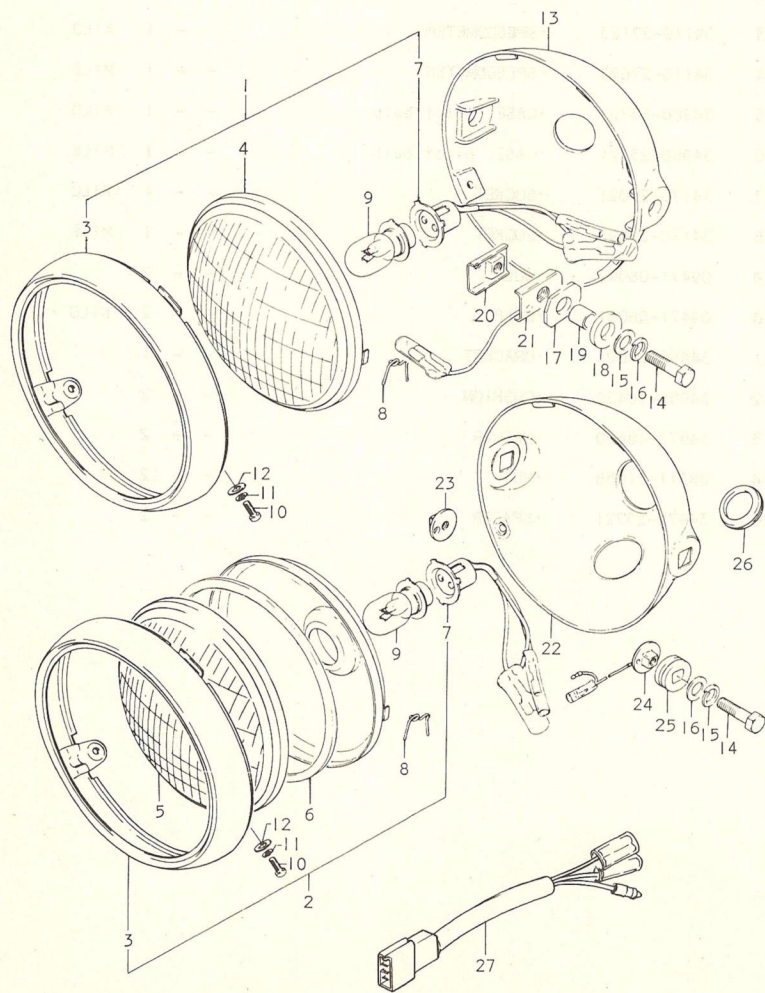


FIG.16 HEADLAMP

Ref.No.	Part No.	Description	Q'ty			Remarks
			K	L	M	
1	35100-25321	HEADLAMP ASSY	1	1	-	to 35100-25322-999
2	35100-25322-999	HEADLAMP ASSY	-	1	-	
3	35111-27221	•RIM	1	1	-	
4	35121-27220	•UNIT	1	1	-	Used to 35100-25321
5	35124-27222	•LENS	1	1	-	
6	35125-27222	•GASKET	1	1	-	
7	35171-25320	•SOCKET	1	1	-	from 35171-27220
8	35128-27221	•SPRING	3	3	-	
9	09471-06022	BULB	1	1	-	
10	02111-04127	SCREW	2	2	-	
11	08321-21048	LOCK WASHER	2	2	-	
12	08322-21048	WASHER	2	2	-	
13-1	51810-27200-138	HOUSING, headlamp	1	1	-	to 51810-26000-138
13-2	51810-27200-156	HOUSING, headlamp	1	-	-	to 51810-26000-156
13-3	51810-27200-164	HOUSING, headlamp	1	1	-	to 51810-26000-164
14	01122-08258	BOLT	2	2	-	
15	08322-11088	WASHER	2	2	-	
16	08321-21088	LOCK WASHER	2	2	-	
17	09329-12002	CUSHION, inner	2	2	-	
18	09320-12014	CUSHION, outer	2	2	-	
19	09180-08001	SPACER, headlamp housing	2	2	-	
20	51817-06301	PLATE, RH	1	1	-	
21	51818-06301	PLATE, LH	1	1	-	

FIG.16 HEADLAMP

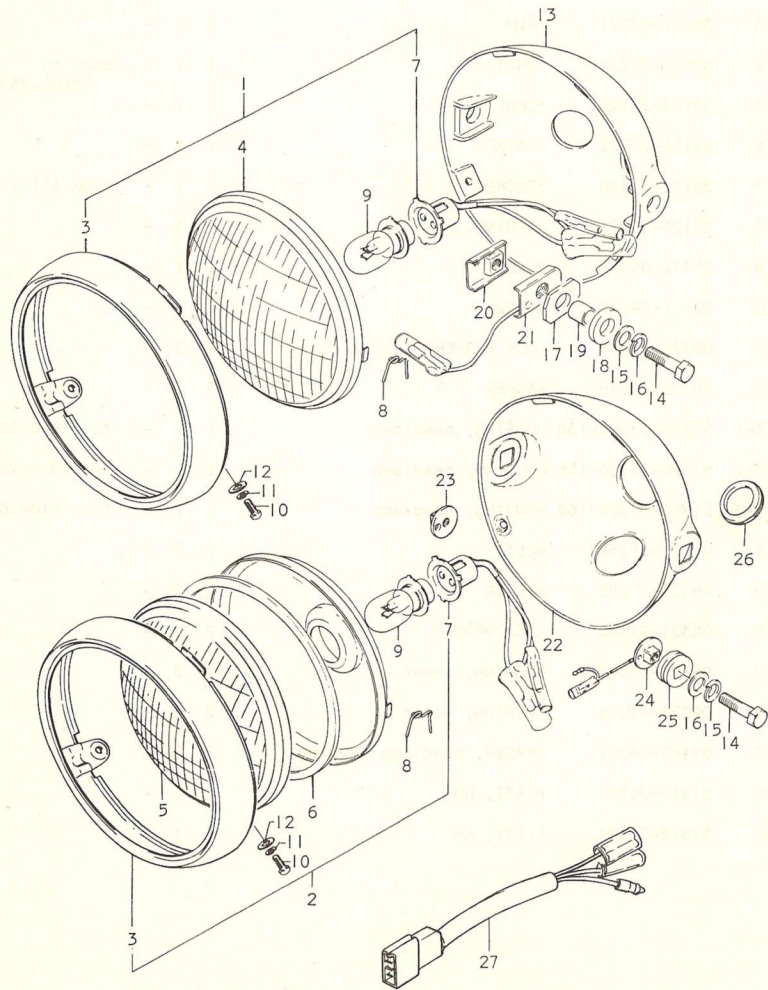


FIG.16 HEADLAMP

Ref.No.	Part No.	Description	Q'ty			Remarks
			K	L	M	
22-1	51810-26000-138	HOUSING, head lamp	1	1	-	
22-2	51810-26000-156	HOUSING, head lamp	1	-	-	
22-3	51810-26000-164	HOUSING, head lamp	1	1	-	
23	51821-25300	SPACER, RH	1	1	-	
24	51822-27301	SPACER, LH	1	1	-	
25	51827-27301	CUSHION, housing	2	2	-	
26	51845-31030	GROMMET, housing	2	2	-	
27	36852-15670	LEAD WIRE	1	1	-	

FIG.17 HEADLAMP

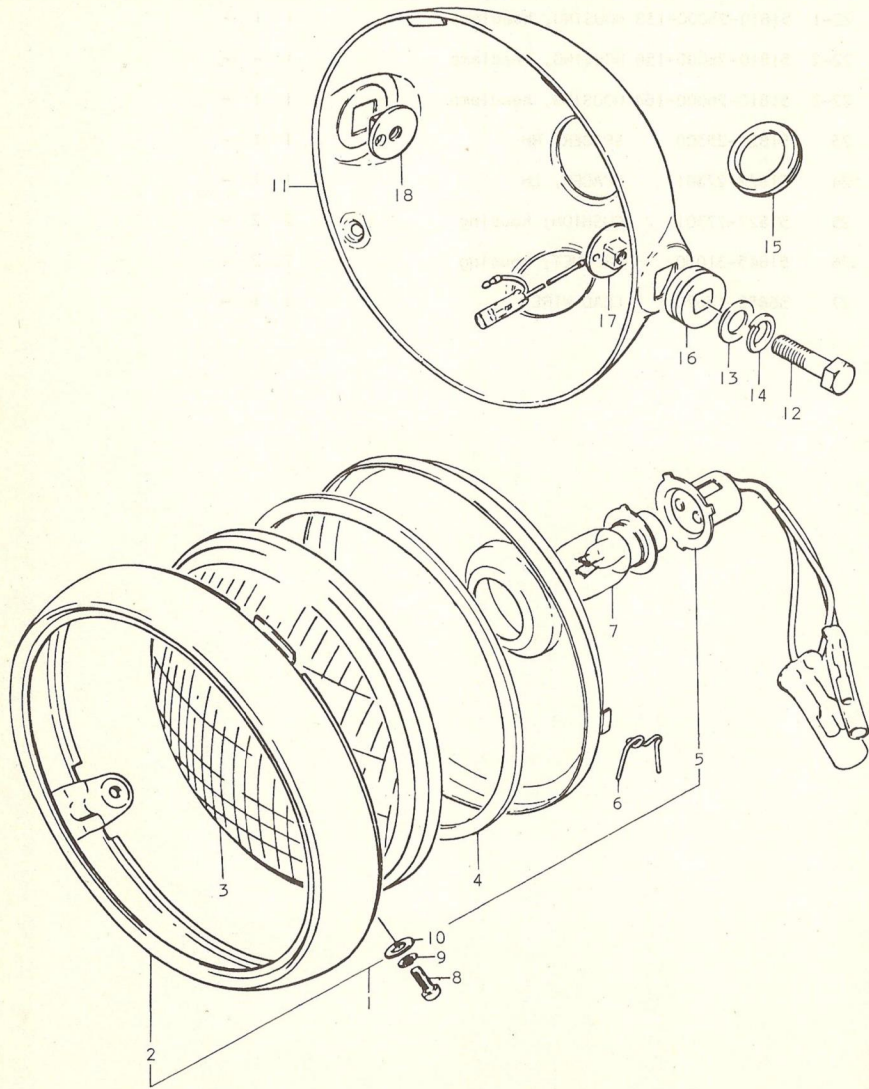


FIG.17 HEADLAMP

Ref.No.	Part No.	Description	Q'ty			Remarks
			K	L	M	
1	35100-27222	HEADLAMP	-	-	1	
2	35111-27221	RIM	-	-	1	
3	35124-27222	LENS	-	-	1	
4	35125-27222	GASKET	-	-	1	
5	35171-27220	SOCKET	-	-	1	
6	35128-27221	SPRING	-	-	3	
7	09471-06022	BULB	-	-	1	6V, 15/15W(A3598HA)
8	02211-04128	SCREW	-	-	2	
9	08321-21048	LOCK WASHER	-	-	2	
10	08322-21048	WASHER	-	-	2	
11-1	51810-26000-778	HOUSING, headlamp	-	-	1	
11-2	51810-26000-798	HOUSING, headlamp	-	-	1	
12	01122-08258	BOLT	-	-	2	
13	08322-11088	WASHER	-	-	2	
14	08321-21088	LOCK WASHER	-	-	2	
15	51845-31030	GROMMET	-	-	2	
16	51827-27301	CUSHION	-	-	2	
17	51822-27301	SPACER, LH	-	-	1	
18	51821-25300	SPACER, RH	-	-	1	



FIG.18 TURN SIGNAL LAMP

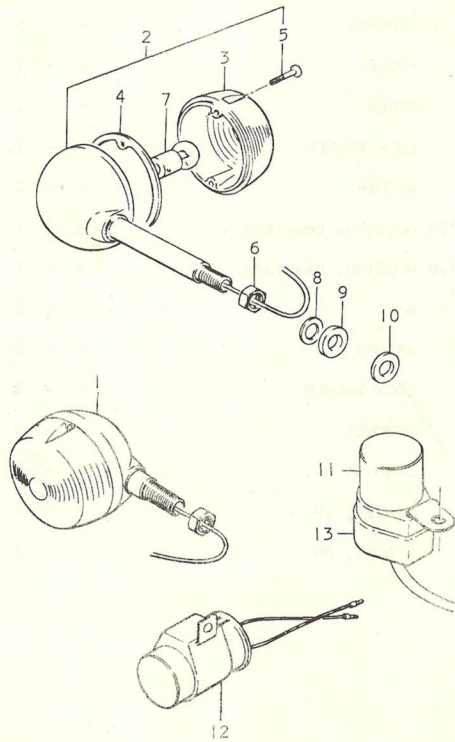


FIG.18 TURN SIGNAL LAMP

Ref.No.	Part No.	Description	Q'ty			Remarks
			K	L	M	
1	35601-27210	LAMP ASSY, front turn signal	2	2	2	
2	35603-27210	LAMP ASSY, rear turn signal	2	2	2	
3	35612-20010	•LENS	4	4	4	
4	35613-06111	•GASKET	4	4	4	
5	35623-06110	•SCREW	8	8	8	
6	08312-31108	•NUT	4	4	4	
7	09471-06021	•BULB	4	4	4	6V, 8W
8	08322-21108	WASHER	1	1	1	
9	09160-10033	WASHER	1	1	1	
10	09160-10037	WASHER	1	1	1	
11	38610-26020	RELAY ASSY, turn signal	1	1	-	to 38610-12110
12	38610-12110	RELAY ASSY, turn signal	-	-	1	
13	38615-27220	CAP, turn signal relay terminal	1	1	-	

FIG.19 REAR COMBINATION LAMP

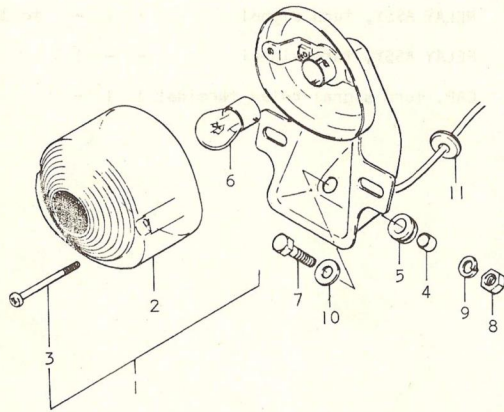


FIG.19 REAR COMBINATION LAMP

Ref.No.	Part No.	Description	Q'ty			Remarks
			K	L	M	
1	35710-27340	LAMP ASSY, rear combination	1	1	1	
2	35712-06110	•LENS	1	1	1	
3	02111-04558	•SCREW	2	2	2	
4	35766-15010	•SPACER	3	3	3	
5	35765-15010	•CUSHION	3	3	3	
6	09471-06008	•BULB	1	1	1	6V, 10/3W
7	01112-06208	BOLT	3	3	3	
8	08311-11068	NUT	3	3	3	
9	08321-11068	LOCK WASHER	3	3	3	
10	09160-06020	WASHER	3	3	3	
11	09308-05005	GROMMET	1	1	1	ID:55

FIG. 20 ELECTRICAL

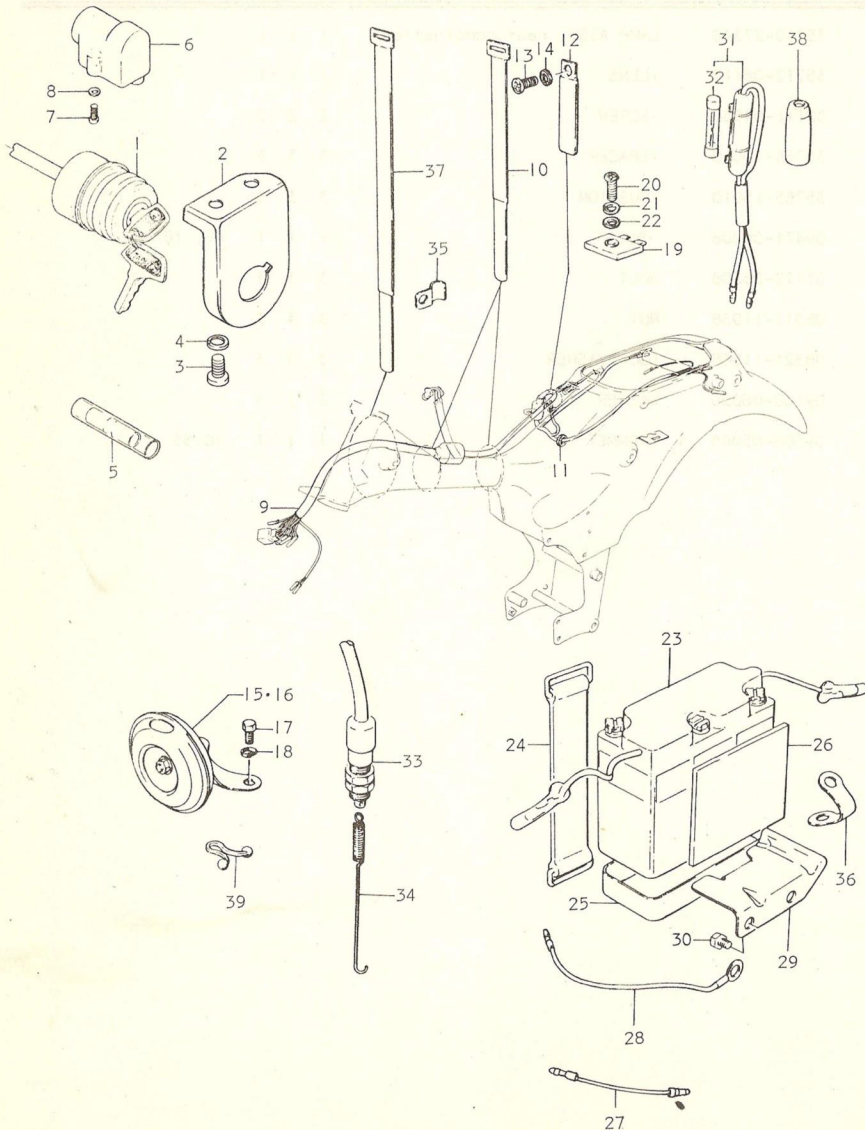


FIG. 20 ELECTRICAL

Ref.No.	Part No.	Description	Q'ty			Remarks
			K	L	M	
1-1	37110-26612	SWITCH ASSY, ignition	1	1	-	
1-2	37110-27111	SWITCH ASSY, ignition	-	-	1	
2	37115-27300	BRACKET, ignition switch	-	1	-	
3	02111-06128	SCREW	-	2	-	
4	08321-21068	LOCK WASHER	-	2	-	
5	37132-03000	CONNECTOR, ignition switch	-	-	1	
6	50000-25837	LOCK ASSY, steering	1	1	1	
7	02111-05127	SCREW	2	2	2	
8	08321-21058	LOCK WASHER	2	2	2	
9-1	36610-27201	WIRING HARNESS	1	1	-	to 36610-27202
9-2	36610-27202	WIRING HARNESS	-	-	1	to 36610-27203
10	09407-25301	CLAMP, wiring harness	2	2	2	
11	09308-12002	GROMMET, wiring harness	1	1	1	
12	09403-00069	CLAMP, wiring harness	2	2	2	
13	02112-06108	SCREW	1	1	1	
14	08321-21068	LOCK WASHER	-	1	1	
15	38500-27031	HORN ASSY	1	-	-	
16-1	38500-27431	HORN ASSY	-	1	-	to 38500-27432
16-2	38500-27432	HORN ASSY	-	-	1	
17-1	09100-06011	BOLT	2	-	-	
17-2	01111-06087	BOLT	-	2	2	
18	08321-21068	LOCK WASHER	2	2	-	
19-1	32800-27161	RECTIFIER ASSY, cilicon	1	1	-	to 32800-19061
19-2	32800-19061	RECTIFIER ASSY, cilicon	-	-	1	
20	02111-05207	SCREW	1	1	1	
21	08321-21058	LOCK WASHER	1	1	-	
22	08322-21058	WASHER	1	1	-	

FIG.20 ELECTRICAL

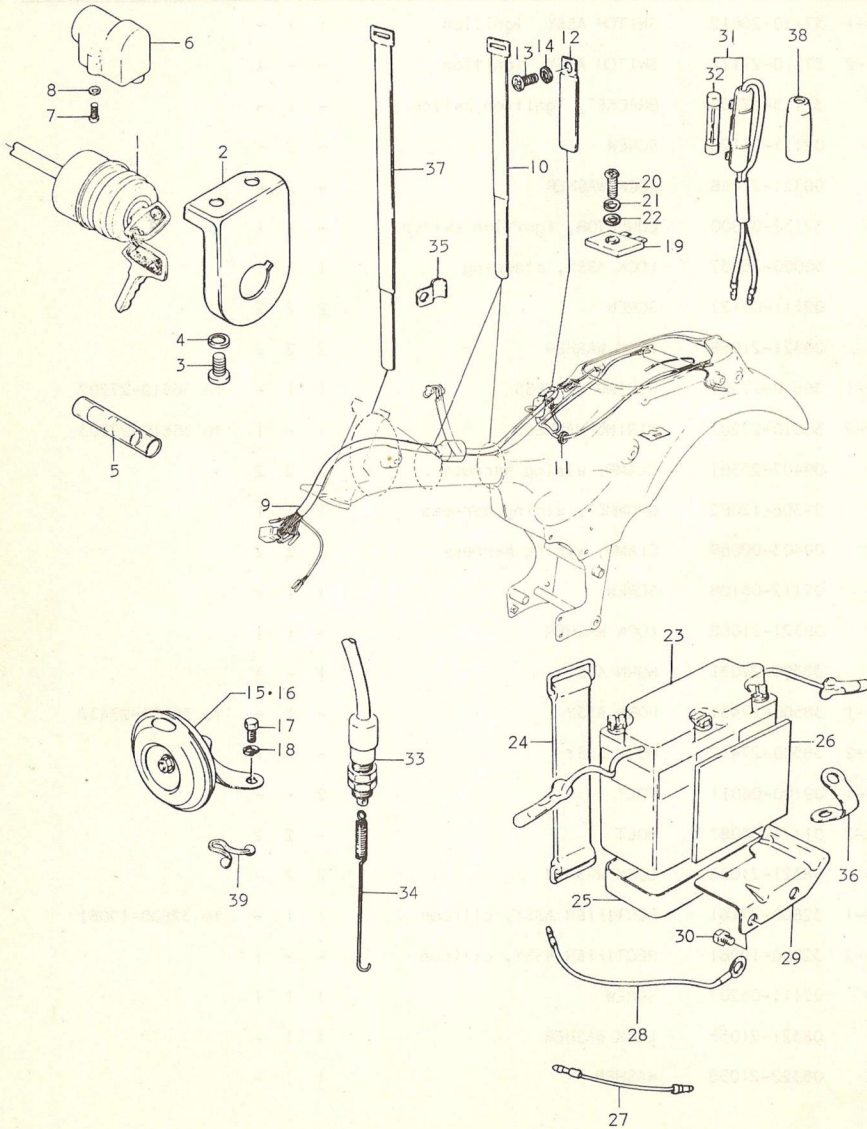


FIG.20 ELECTRICAL

Ref.No.	Part No.	Description	Q'ty			Remarks
			K	L	M	
23	33610-03610	BATTERY	1	1	1	6V
24	09462-00043	BAND, battery	1	1	1	
25	33651-30000	PROTECTOR, battery	2	2	2	
26	33652-27200	PROTECTOR, battery	1	-	1	
27	36810-22610	LEAD WIRE, magneto	-	-	1	
28	36862-27690	LEAD WIRE, battery (-)	1	1	1	
29	41540-27200	HOLDER, battery	1	1	1	
30	09100-06011	BOLT	2	2	2	
31	36740-15010	FUSE CASE ASSY	1	1	1	
32	09481-15001	FUSE	1	1	1	15A
33	37740-20010	SWITCH ASSY, stop lamp	1	1	1	
34	09443-06019	SPRING, stop switch	1	1	1	
35	09403-05302	CLAMP	1	1	1	
36-1	09404-07704	CLAMP, battery exhaust	-	1	1	
36-2	09404-07702	CLAMP, battery exhaust	1	-	-	
37	36652-27200	CLAMP, wiring harness	1	1	-	
38	09287-10001	BOOT, fuse terminal	1	1	1	
39	09408-00011	CLIP, horn lead wire	-	1	-	

FIG.21 FRAME

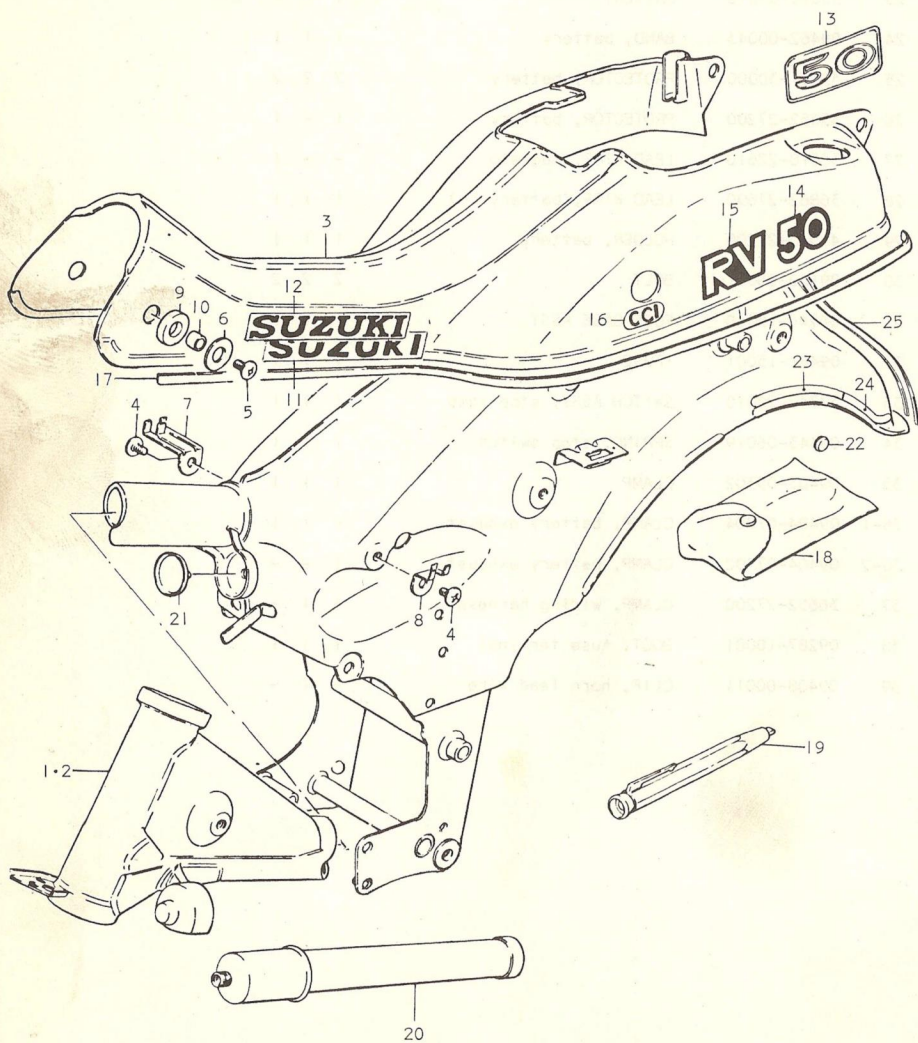


FIG.21 FRAME

Ref.No.	Part No.	Description	Q'ty			Remarks
			K	L	M	
1-1	41100-27201-138	FRAME	1	1	-	
1-2	41100-27201-156	FRAME	1	-	-	
1-3	41100-27201-164	FRAME	1	1	-	
2-1	41100-27400-778	FRAME	-	-	1	
2-2	41100-27400-798	FRAME	-	-	1	
3	44171-27400-189	COVER, frame	1	1	1	
4	02141-06107	SCREW	6	2	2	
5	02141-06167	SCREW	-	4	4	
6-1	09169-06010	WASHER	4	-	-	
6-2	09160-08021	WASHER	-	4	-	
6-3	09160-06007	WASHER	-	-	4	
7	47140-27200	BRACE, frame cover RH	1	1	1	
8	44184-27200	BRACE, frame cover LH	1	1	1	
9	09320-09004	CUSHION, frame cover	-	4	4	
10	09180-08037	SPACER, frame cover	-	4	4	
11	68111-27000	EMBLEM, frame cover front	2	2	-	
12	68111-26610-019	EMBLEM, frame cover front	-	-	2	
13	68141-26600	EMBLEM, frame cover	2	-	-	"50"
14	68131-27200	EMBLEM	-	2	2	"50"
15	68141-27610	EMBLEM	-	2	2	RV
16	68171-26000	EMBLEM	-	2	2	CCI
17	68148-27600-019	TAPE, frame cover upper	-	-	2	

FIG.21 FRAME

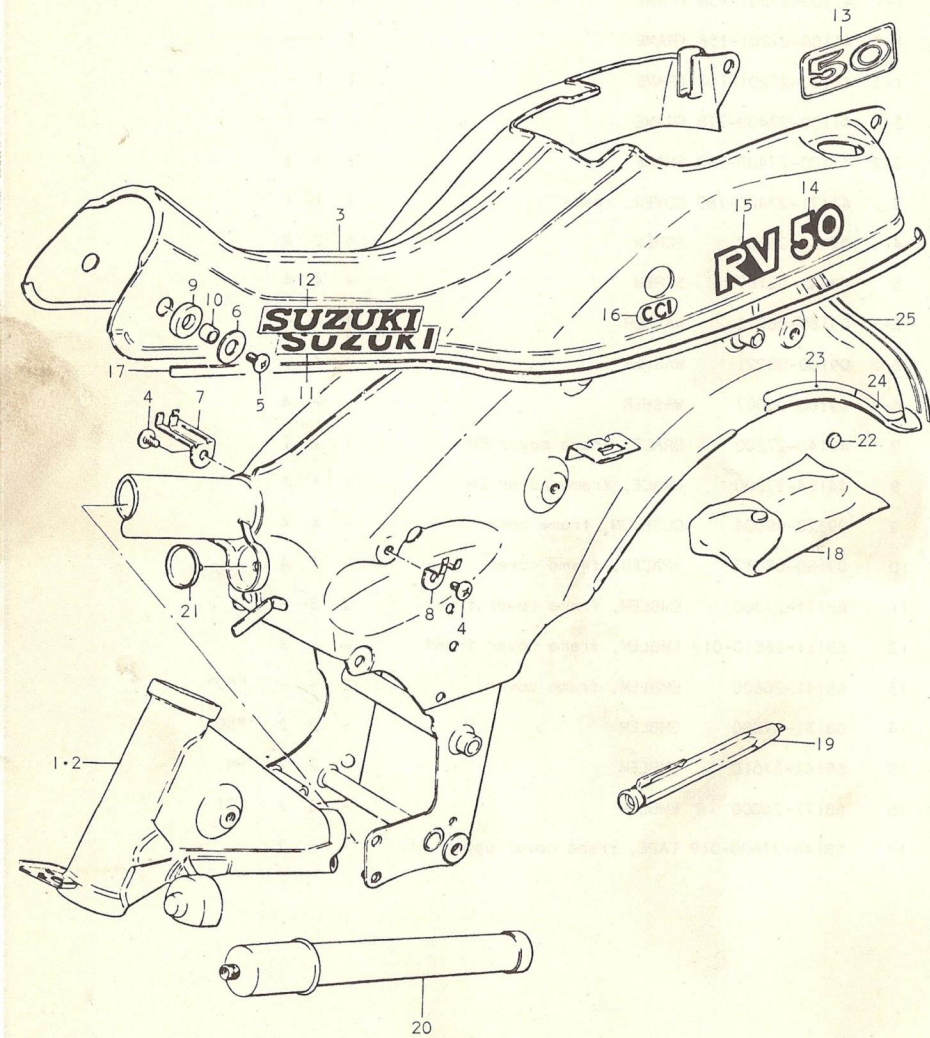


FIG.21 FRAME

Ref.No.	Part No.	Description	Q'ty			Remarks
			K	L	M	
18	*09800-00108	TOOL SET	1	1	1	
19-1	09820-00002	GAUDE, wheel	1	-	-	Lb/in <sup>2</sup>
19-2	87810-54900	GAUDE, wheel	1	-	-	Kg/cm <sup>2</sup>
20	09821-00004	AIR PUMP	1	-	-	
21	09321-08007	CUSHION, air pump	1	-	-	
22	09250-05001	PLUG	2	-	2	
23	68158-27200-064	TAPE, fender striping side	2	-	-	White
24	68159-27200-064	TAPE, fender striping rear	1	-	-	White
25	68158-27610-742	TAPE, fender striping	-	2	-	Silver

\*:Asterisk shows Export inspection required parts.

FIG. 22 STAND - FOOTREST

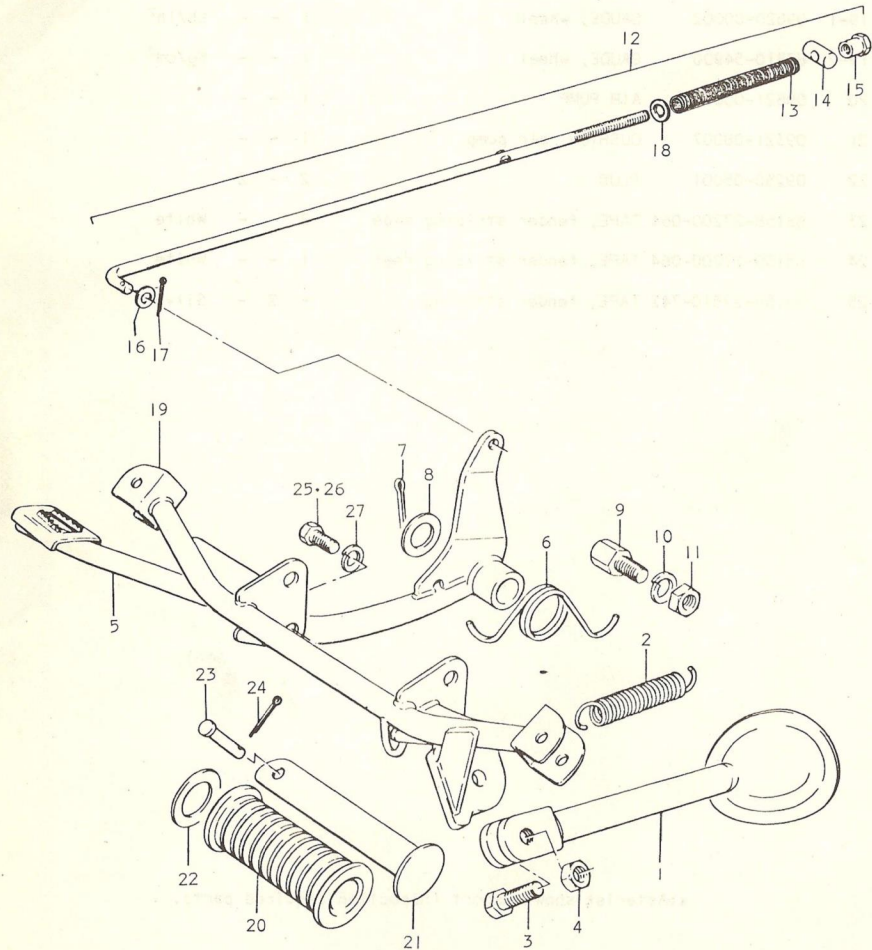


FIG. 22 STAND - FOOTREST

Ref.No.	Part No.	Description	Q'ty			Remarks
			K	L	M	
1	42310-27200	STAND, prop	1	1	1	
2	09443-14005	SPRING	1	1	1	
3	09100-10067	BOLT	1	1	1	L:27
4	08312-11108	NUT	1	1	1	
5	43110-27200	PEDAL, brake	1	1	1	
6	09448-31003	SPRING	1	1	1	
7	04111-30308	COTTER PIN	1	1	1	
8	09160-15002	WASHER	1	1	1	
9	01122-10208	BOLT	1	1	1	
10	08321-21108	LOCK WASHER	1	1	1	
11	09140-10004	NUT	1	1	1	
12	43300-27200	ROD ASSY, rear brake	1	1	1	
13	09440-09004	•SPRING	1	1	1	
14	09209-11002	•PIN	1	1	1	
15	09150-06001	•NUT	1	1	1	
16	08322-21058	•WASHER	1	1	1	
17	04111-20208	•COTTER PIN	1	1	1	
18	08322-21068	•WASHER	1	1	1	
19	43510-27200	BAR, front footrest	1	1	1	
20	43612-03001	RUBBER, front footrest	2	2	2	
21	43610-03001	BAR, front footrest rubber	2	2	2	
22	09160-19006	WASHER	2	2	2	
23	09200-06010	PIN	2	2	2	
24	04111-20208	COTTER PIN	2	2	2	
25	01122-08168	BOLT	2	1	1	
26	09100-08085	BOLT	-	1	1	
27	08321-21088	LOCK WASHER	2	2	2	

FIG.23 FUEL TANK - OIL TANK

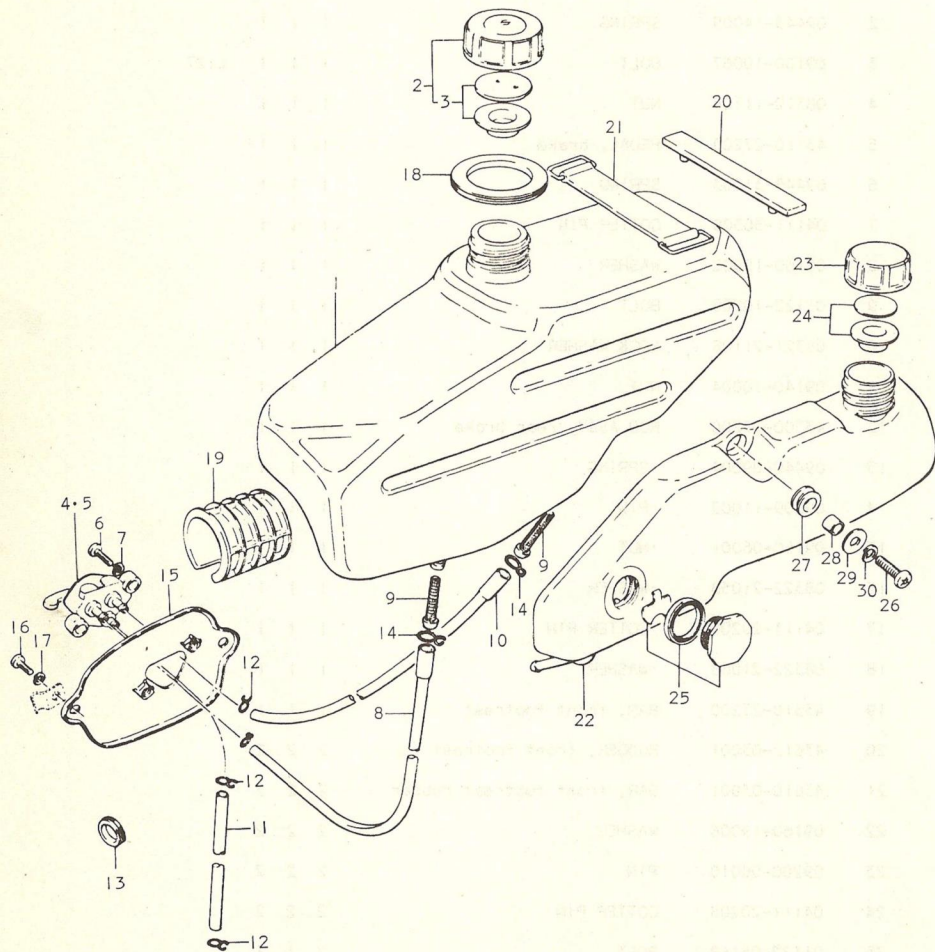


FIG.23 FUEL TANK - OIL TANK

Ref.No.	Part No.	Description	Q'ty			Remarks
			K	L	M	
1	44111-27200	TANK, fuel	1	1	1	
2	44000-27809	CAP SET, fuel tank	1	1	1	
3	44660-18818	GASKET SET, fuel tank	1	1	1	
4	44300-27110	COCK ASSY, fuel	1	1	-	to 44300-27210
5	44300-27210	COCK ASSY, fuel	-	-	1	
6	02112-05168	SCREW	2	2	2	
7	08321-21058	LOCK WASHER	2	2	2	
8	09343-05095	HOSE	1	1	1	L:270
9	44322-27000	FILTER, fuel	2	2	2	
10	09343-05094	HOSE	1	1	1	L:200
11	09343-05021	HOSE	1	1	1	L:390
12	09401-08401	CLIP	4	4	4	
13-1	09320-08013	GROMMET	1	-	-	
13-2	09308-10002	GROMMET	-	1	1	
14	09401-10401	CLIP	2	2	2	
15-1	44370-27200-138	PLATE, fuel cock	1	1	-	
15-2	44370-27200-156	PLATE, fuel cock	1	-	-	
15-3	44370-27200-164	PLATE, fuel cock	1	1	-	
15-4	44370-27200-778	PLATE, fuel cock	-	-	1	
15-5	44370-27200-798	PLATE, fuel cock	-	-	1	
16	09128-05101	SCREW	2	2	2	
17	08321-21058	LOCK WASHER	2	2	2	
18	44261-27200	CUSHION, tank upper	1	1	1	
19	44541-27000	CUSHION, tank front	1	1	1	
20	44545-27200	CUSHION, tank rear	1	1	1	
21	09462-00046	BAND	1	1	1	



FIG.23 FUEL TANK - OIL TANK

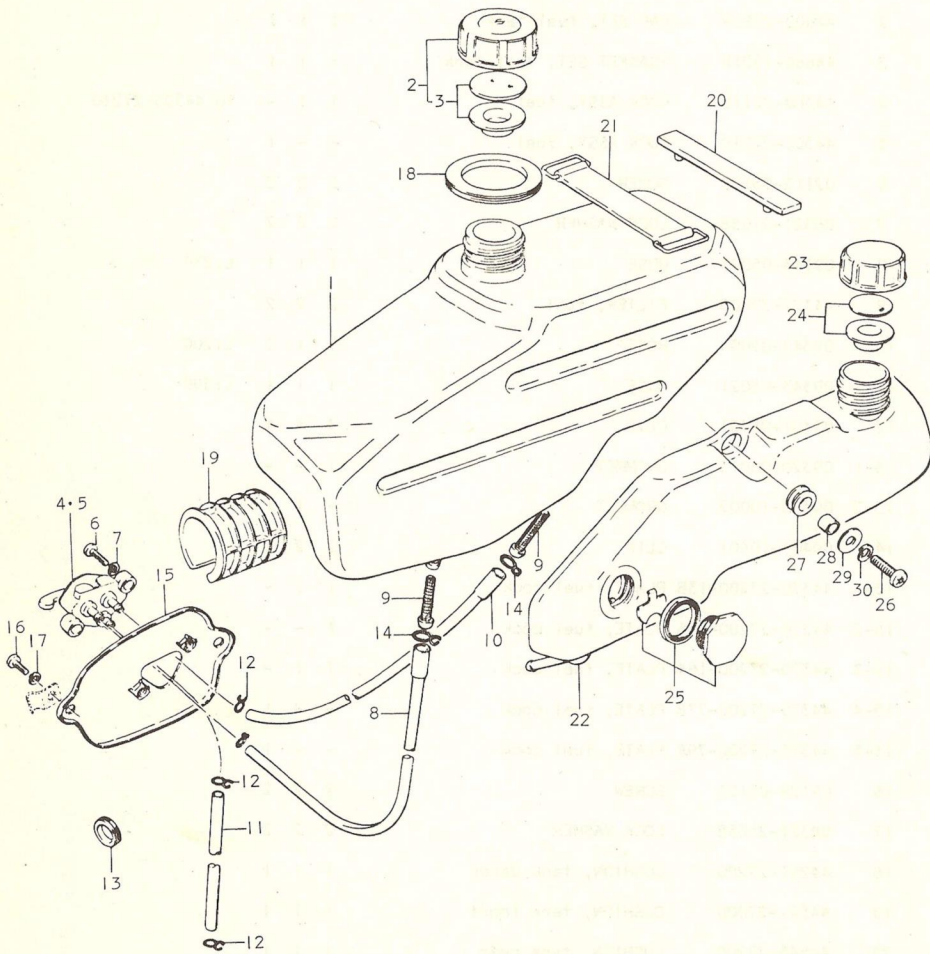


FIG.23 FUEL TANK - OIL TANK

Ref.No.	Part No.	Description	Q'ty			Remarks
			K	L	M	
22	44611-27200	TANK, oil	1	1	1	
23	44651-05000	CAP, oil tank	1	1	1	
24-1	44660-33808	GASKET SET, tank cap	1	1	-	to 44600-35820
24-2	44600-35820	GASKET SET, tank cap	-	-	1	
25	44600-31830	LENS SET, oil level inspection	1	1	1	
26	02112-06208	SCREW	1	1	1	
27	09320-10008	CUSHION	1	1	1	
28	09180-06030	SPACER	1	1	1	
29	09160-06007	WASHER	1	1	1	
30	08321-21068	LOCK WASHER	1	1	1	

FIG.24 SEAT

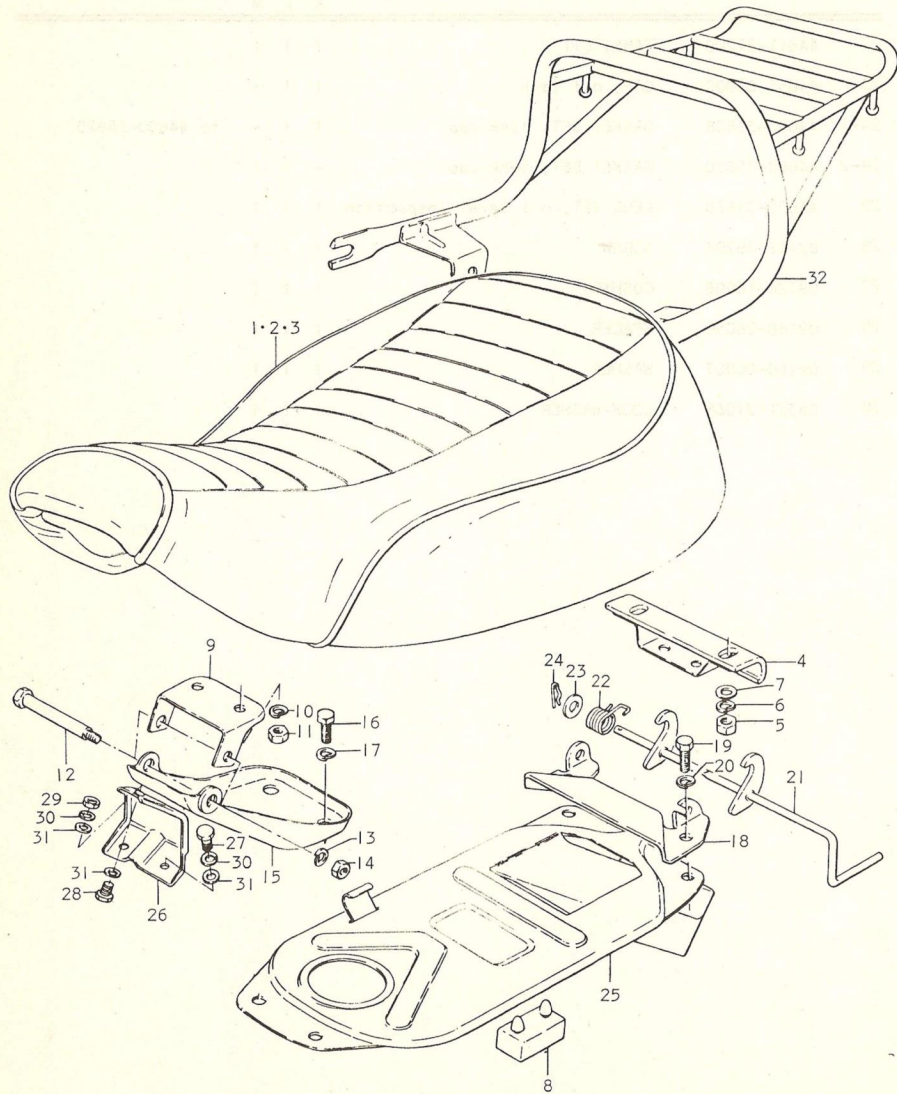


FIG.24 SEAT

Ref.No.	Part No.	Description	Q'ty			Remarks
			K	L	M	
1	45100-27200-403	SEAT ASSY	1	-	-	
2	45100-27201-403	SEAT ASSY	-	1	-	to 45100-27202-403
3	45100-27202-403	SEAT ASSY	-	-	1	
4	45120-27200	•PLATE, seat hook rear	1	-	-	
5	08311-11068	•NUT	2	-	-	
6	08321-21068	•LOCK WASHER	2	-	-	
7	08322-21068	•WASHER	2	-	-	
8	09321-08006	CUSHION	3	3	3	
9	45211-02000	BRACKET, seat support front	1	1	1	
10	08321-21068	LOCK WASHER	2	2	2	
11	08311-11068	NUT	2	2	2	
12	09111-06001	BOLT	1	1	1	
13	08321-21068	LOCK WASHER	1	1	1	
14	08311-11068	NUT	1	1	1	
15	45260-27200-019	BRACKET, seat support lower	1	1	1	
16-1	01112-08168	BOLT	2	2	-	to 01122-08168
16-2	01122-08168	BOLT	-	-	2	
17	08321-21088	LOCK WASHER	2	2	2	
18	45221-27200	BRACKET, seat support rear	1	1	1	
19-1	01112-06128	BOLT	2	2	-	
19-2	01112-06168	BOLT	-	-	2	
20	08321-21068	LOCK WASHER	2	2	2	
21	45210-27200	SHAFT, seat clamp	1	1	1	
22	09448-12004	SPRING	1	1	1	
23	08322-21088	WASHER	1	1	1	
24-1	09385-06001	CLIP	-	1	1	
24-2	09385-05002	CLIP	1	-	-	

FIG.24 SEAT

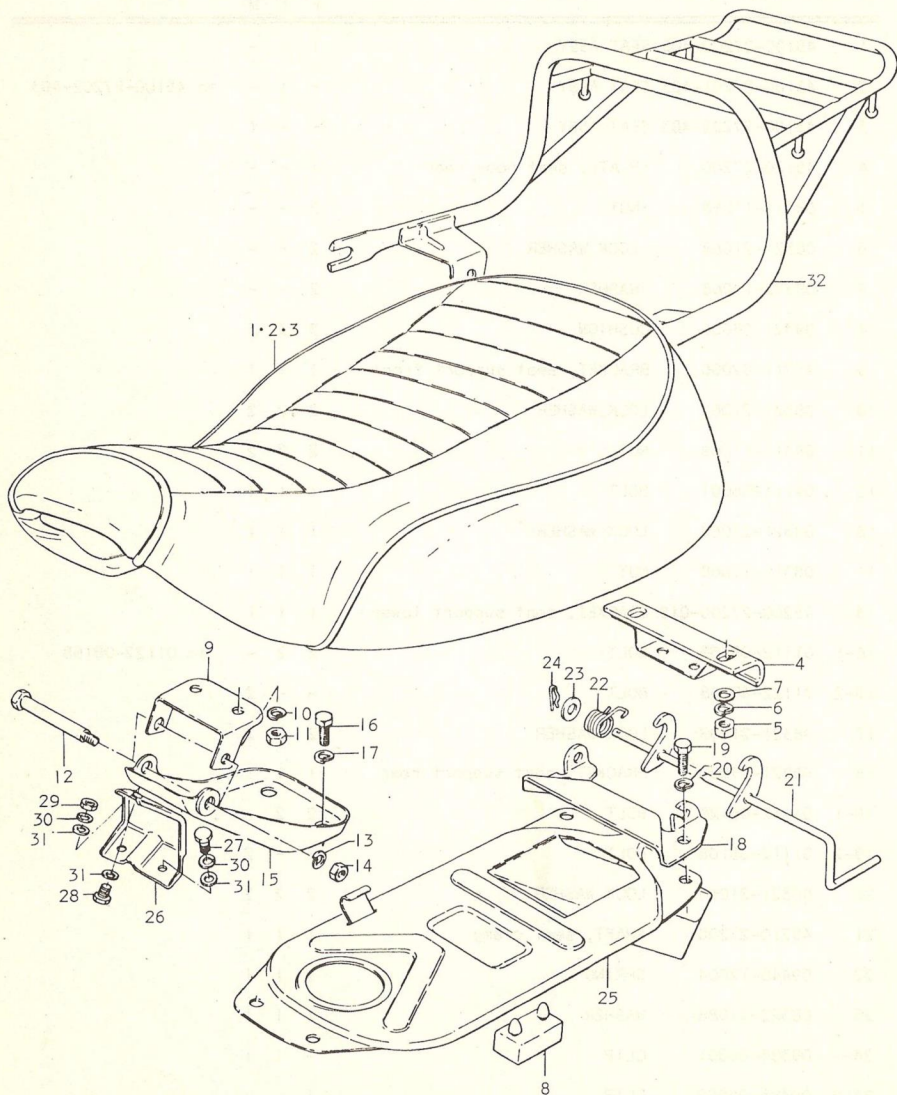


FIG.24 SEAT

Ref.No.	Part No.	Description	Q'ty			Remarks
			K	L	M	
25-1	45270-27200-019	PLATE, seat support lower	1	1	-	
25-2	45270-27200-019	PLATE, seat support lower	-	-	1	
26-1	45285-27200	BRACKET, seat support front	1	-	-	to 45285-27200-019
26-2	45285-27200-019	BRACKET, seat support front	-	1	1	
27	01112-06128	BOLT	2	2	2	
28	01112-06168	BOLT	1	1	1	
29	08311-11068	NUT	1	1	1	
30	08321-21068	LOCK WASHER	3	3	3	
31	08322-21068	WASHER	4	4	3	
32	46310-27200	CARRIER, sport	1	1	-	} OPT
33	46310-27400	CARRIER, sport	-	-	1	

FIG.25 FRONT FORK

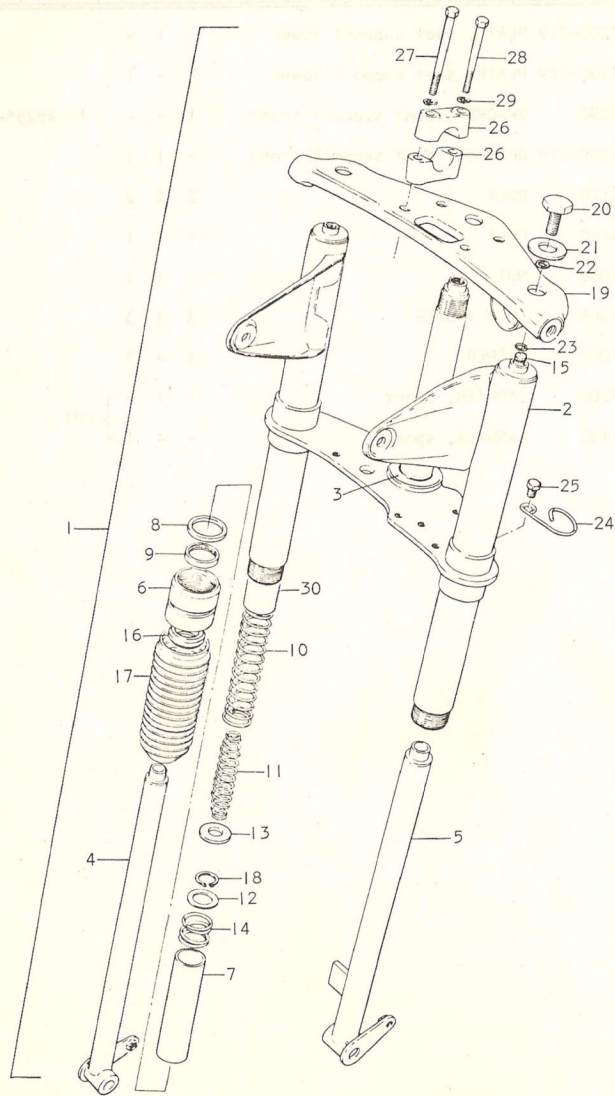


FIG.25 FRONT FORK

Ref.No.	Part No.	Description	Q'ty			Remarks
			K	L	M	
1-1	51100-27200-652	FORK ASSY, front	1	1	-	
1-2	51100-27200-516	FORK ASSY, front	1	-	-	
1-3	51100-27200-653	FORK ASSY, front	1	1	-	
2-1	51410-27201-138	·STEERING STEM	1	1	-	
2-2	51410-27201-156	·STEERING STEM	1	-	-	
2-3	51410-27201-164	·STEERING STEM	1	1	-	
3	51621-33001	·RACE, steering outer lower	1	1	-	
4	51130-27200	·TUBE, lower RH	1	1	-	
5	51140-27200	·TUBE, lower LH	1	1	-	
6	51151-27103	·NUT, lower tube	2	2	-	
7	51152-27100	·GUIDE, lower tube (1)	2	2	-	
8	51157-27100	·GUIDE, lower tube (2)	2	2	-	
9	09283-22010	·OIL SEAL	2	2	-	
10	51171-27200	·SPRING (1)	2	2	-	
11	51184-27200	·SPRING (2)	2	2	-	
12	51172-27200	·GUIDE, spring	2	2	-	
13	51178-27201	·SEAT, spring	2	2	-	
14	51177-27100	·SPRING, rebound	2	2	-	
15	51194-27200	·GUIDE, spring center	2	2	-	
16	51193-27000	·CUSHION, lower	2	2	-	
17	51571-27100	·BOOT, cover	2	2	-	
18	08331-31169	·CIRCLIP	2	2	-	

FIG. 25 FRONT FORK

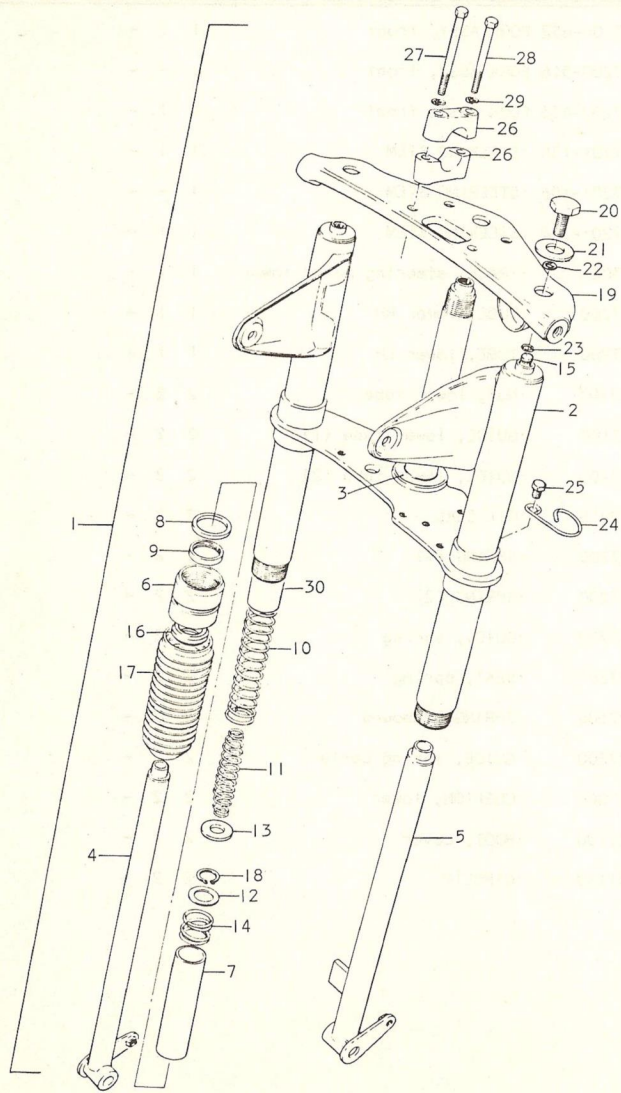
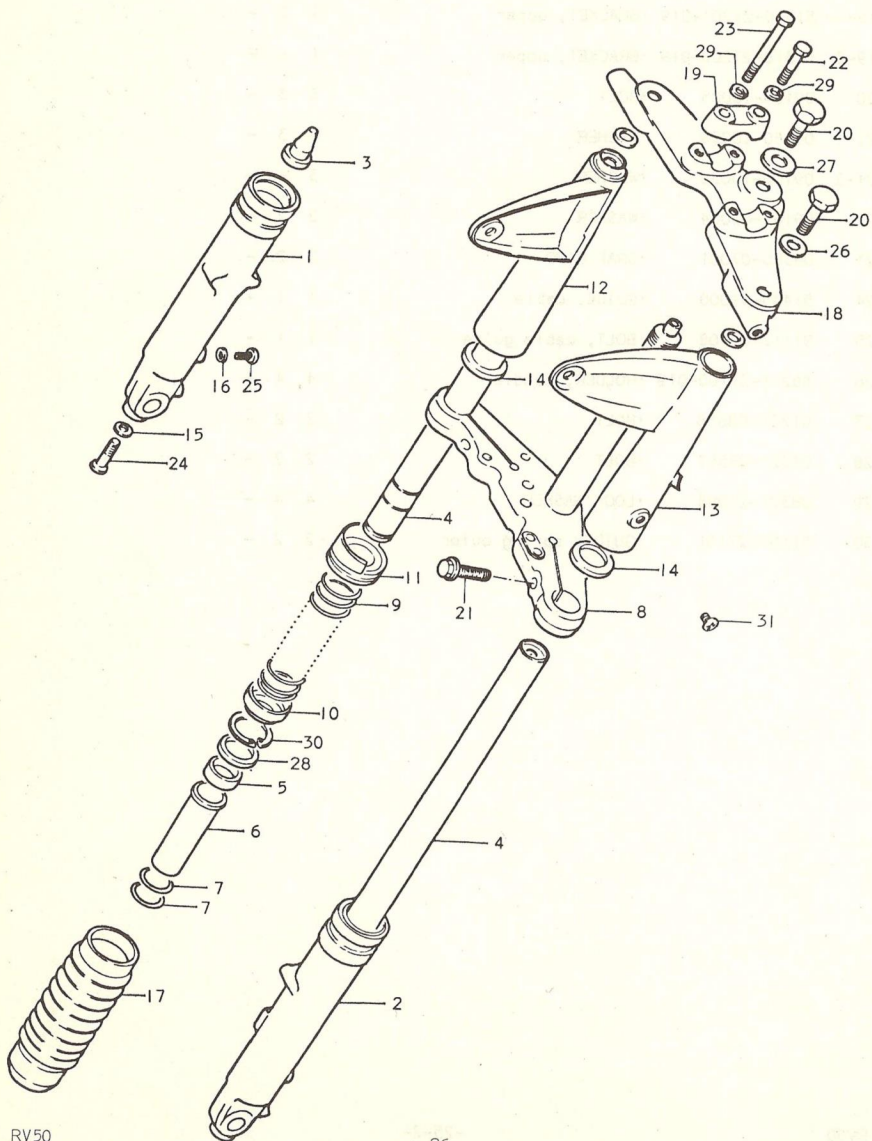


FIG. 25 FRONT FORK

Ref.No.	Part No.	Description	Q'ty			Remarks
			K	L	M	
19-1	51310-27201-019	BRACKET, upper	1	1	-	
19-2	51310-27200-019	BRACKET, upper	1	-	-	
20	09104-10005	BOLT	3	3	-	
21-1	09160-10036	WASHER	3	3	-	
21-2	09100-10036	WASHER	3	-	-	
22	09161-03004	WASHER	2	2	-	
23	09380-07001	SNAP RING	2	2	-	
24	51455-31000	GUIDE, cable	1	1	-	
25	01112-06108	BOLT, cable guide	1	1	-	
26	56211-27100-019	HOLDER, handle	4	4	-	
27	01221-08658	BOLT	2	2	-	
28	01221-08557	BOLT	2	2	-	
29	08321-21088	LOCK WASHER	4	4	-	
30	51197-27101	GUIDE, spring outer	2	2	-	

FIG.26 FRONT FORK (KAYABA MAKE)



RV50

FIG.26 FRONT FORK (KAYABA MAKE)

Ref.No.	Part No.	Description	Q'ty			Remarks
			K	L	M	
	51100-27410-778	FORK ASSY, front	-	-	1	to 51100-27430-778 (SHOWA MAKE)
	51100-27410-798	FORK ASSY, front	-	-	1	
1	51131-27410	·OUTER TUBE, RH	-	-	1	
2	51141-27410	·OUTER TUBE, LH	-	-	1	
3	51146-27410	·LOCK PIECE, oil	-	-	2	
4	51110-27410	·INNER TUBE	-	-	2	
5	51153-27410	·OIL SEAL	-	-	2	27x39x10,5
6	51152-27410	·SLIDE METAL	-	-	2	
7	51181-22010	·O RING	-	-	2	
8	51410-27411-019	·STEERING STEM	-	-	1	
9	51171-27410	·SPRING	-	-	2	
10	51172-27410	·GUIDE, spring	-	-	2	
11	51575-27410	·COVER, steering stem	-	-	2	
12-1	51530-27410-778	·COVER, fork RH	-	-	1	to 51530-27430-778 (SHOWA MAKE)
12-2	51530-27410-798	·COVER, fork RH	-	-	1	
13-1	51540-27410-778	·COVER, fork LH	-	-	1	to 51540-27430-778 (SHOWA MAKE)
13-2	51540-27410-798	·COVER, fork LH	-	-	1	
14	51553-27410	·CUSHION	-	-	2	
15	51148-27410	·GASKET	-	-	2	
16	51183-03010	·GASKET	-	-	2	
17	51571-27410	·BOOT	-	-	2	
18	51311-27510	·STEERING STEM HEAD	-	-	2	
19	56211-27210	·HOLDER, handlebar	-	-	2	
20	51351-20010	·BOLT	-	-	3	L:33
21	51451-15113	·BOLT	-	-	2	L:38

RV50

FIG.26 FRONT FORK (KAYABA MAKE)

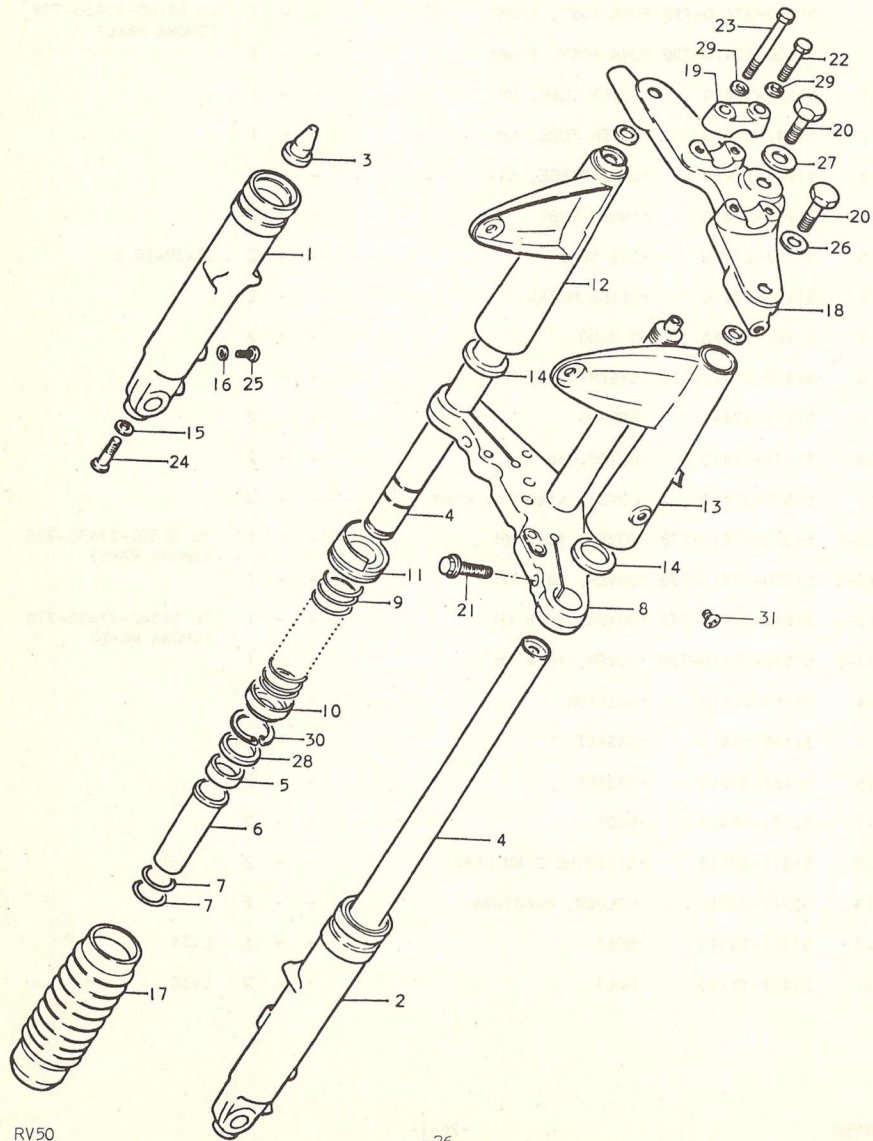


FIG.26 FRONT FORK (KAYABA MAKE)

Ref.No.	Part No.	Description	Q'ty			Remarks
			K	L	M	
22	01221-08357	·BOLT	-	-	2	
23	01221-08707	·BOLT	-	-	2	
24	02112-06208	·SCREW	-	-	2	
25	02111-04087	·SCREW	-	-	2	
26	51356-22011	·WASHER	-	-	2	
27	51356-27410	·WASHER	-	-	1	
28	51158-27410	·RING	-	-	2	
29	08321-21088	·WASHER	-	-	4	
30	08331-41409	·SNAP RING	-	-	2	
31	02141-05067	SCREW	-	-	2	

FIG.27 FRONT FORK (SHOWA MAKE)

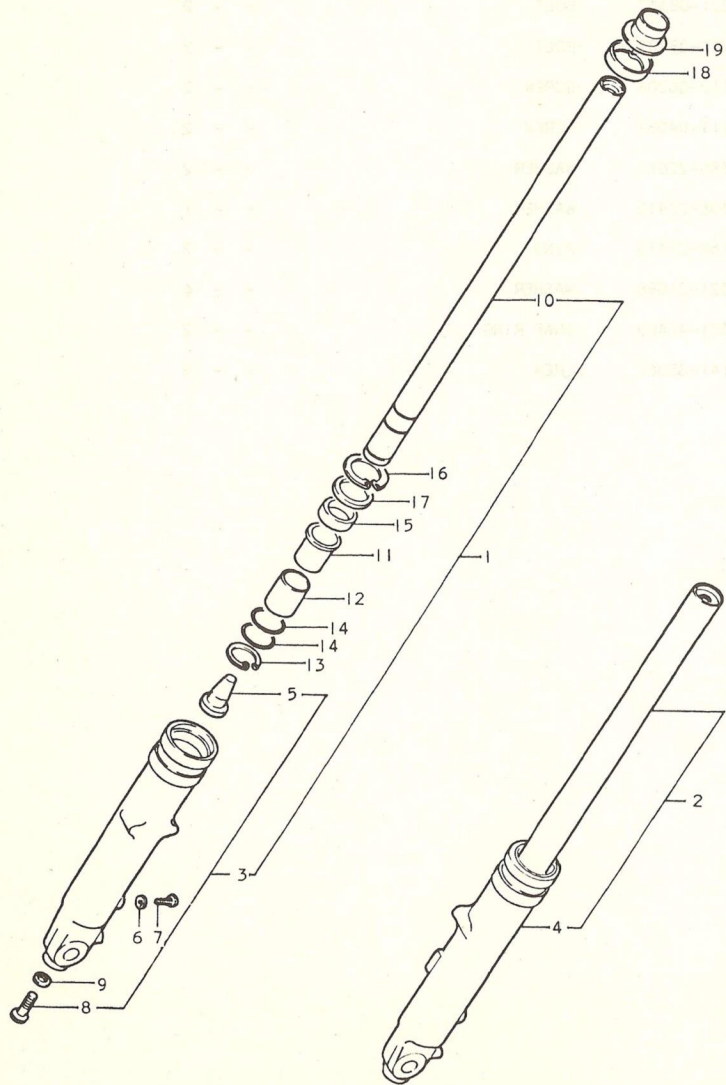


FIG.27 FRONT FORK (SHOWA MAKE )

Ref.No.	Part No.	Description	Q'ty			Remarks
			K	L	M	
1	51103-27430	DAMPER ASSY, RH	-	-	1	
2	51104-27430	DAMPER ASSY, LH	-	-	1	
3	51130-27430	·OUTER TUBE, RH	-	-	1	
4	51140-27430	·OUTER TUBE, LH	-	-	1	
5	51146-27430	··LOCK PIECE, oil	-	-	2	
6	51183-03010	··GASKET	-	-	2	
7	02111-04087	··SCREW	-	-	2	
8	02112-06307	··SCREW	-	-	2	
9	51148-27410	··GASKET	-	-	2	
10	51110-27430	·INNER TUBE	-	-	2	
11	51152-26130	·SLIDE METAL	-	-	2	
12	51112-26130	·PISTON	-	-	2	
13	51119-26130	·SNAP RING (1)	-	-	2	
14	51116-26130	·SNAP RING (2)	-	-	4	
15	51153-27410	·OIL SEAL	-	-	2	
16	08331-41409	·CIRCLIP	-	-	2	
17	51158-26130	·RING	-	-	2	
18	51172-27430	SEAT, spring	-	-	2	
19	51173-27430	GUIDE, spring	-	-	2	

CAUTION) These parts which are not stamped this page, please refer to page of "KAYABA MAKE".



FIG.28 FENDER

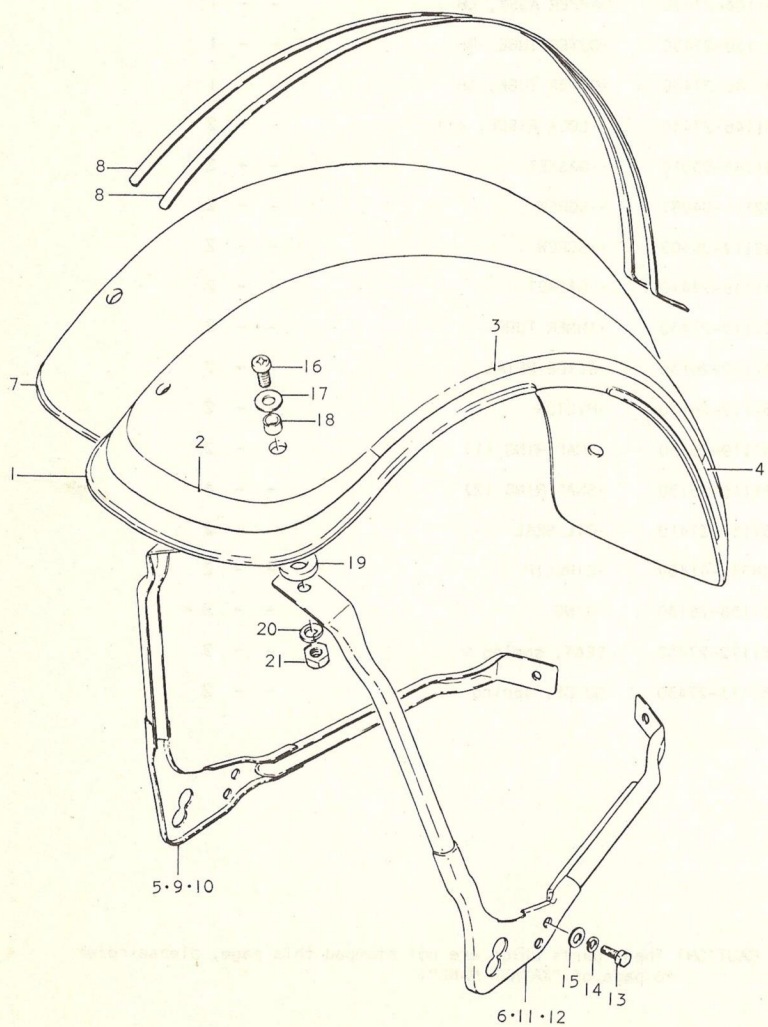


FIG.28 FENDER

Ref.No.	Part No.	Description	Q'ty			Remarks
			K	L	M	
1-1	53100-27820-138	FENDER, front	1	-	-	
1-2	53100-27820-156	FENDER, front	1	-	-	
1-3	53100-27820-164	FENDER, front	1	-	-	
2	68155-27200-064	TAPE, fender striping front	1	-	-	
3	68156-27200-064	TAPE, fender striping side	2	-	-	
4	68157-27200-064	TAPE, fender striping rear	1	-	-	
5	53210-27200	BRACE, front fender RH	1	-	-	
6	53240-27200	BRACE, front fender LH	1	-	-	
7-1	53111-27660-138	FENDER, front	-	1	-	
7-2	53111-27660-164	FENDER, front	-	1	-	
7-3	53111-27660-778	FENDER, front	-	-	1	
7-4	53111-27660-798	FENDER, front	-	-	1	
8	68155-27600-742	TAPE, fender striping	-	2	-	
9	53210-27400	BRACE, front fender RH	-	1	-	
10	53210-27401	BRACE, front fender RH	-	-	1	
11	53240-27400	BRACE, front fender LH	-	1	-	
12	53240-27401	BRACE, front fender LH	-	-	1	
13	01112-06128	BOLT	2	2	-	
14	08321-21068	LOCK WASHER	2	2	-	
15	08322-21068	WASHER	2	2	-	
16	02112-05168	SCREW	4	4	4	
17	09160-05016	WASHER	4	4	4	
18	09180-05009	SPACER	4	4	4	
19	09320-09004	CUSHION	4	4	4	
20	08321-21058	LOCK WASHER	4	4	4	
21	08311-11058	NUT	4	4	4	

FIG. 29 FRONT WHEEL

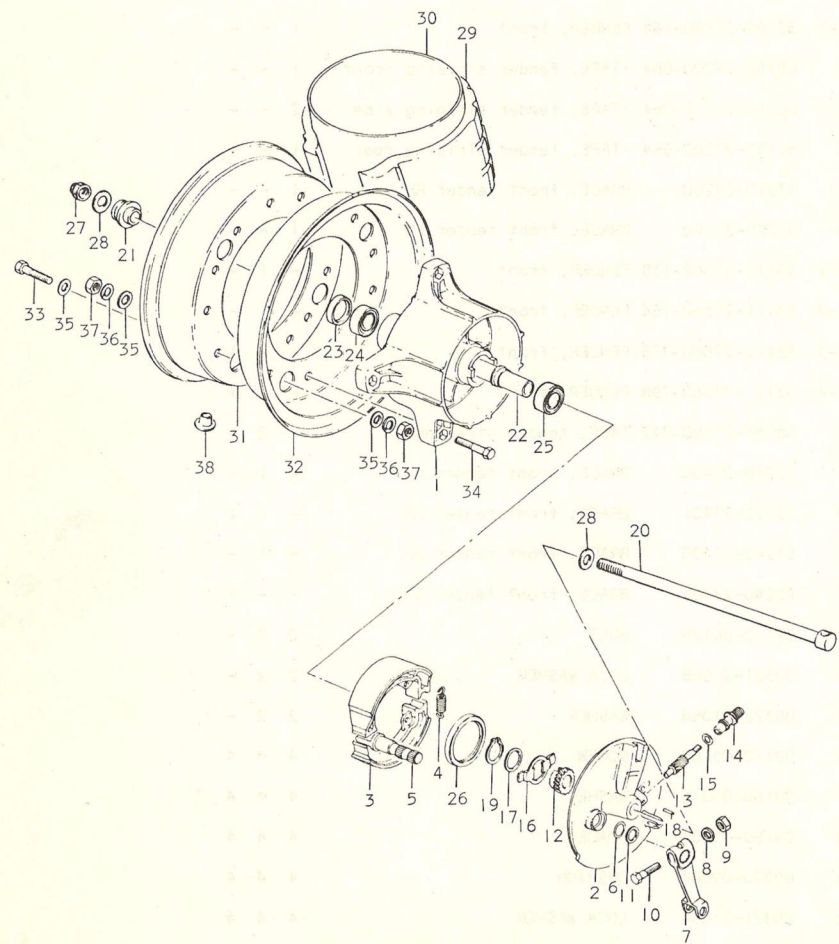


FIG. 29 FRONT WHEEL

Ref.No.	Part No.	Description	Q'ty			Remarks
			K	L	M	
1	54110-27100	HUB, front wheel	1	1	1	
2-1	54210-28002	PANEL, front hub	1	1	-	
2-2	54210-27401	PANEL, front hub	-	-	1	
3-1	54410-01004	SHOE, front brake	2	2	-	to 54410-01005
3-2	54410-01005	SHOE, front brake	-	-	2	
4	09443-07001	SPRING	2	2	2	
5-1	54441-28001	CAM, front brake	1	1	-	to 54441-01002
5-2	54441-01002	CAM, front brake	-	-	1	
6	09280-12001	DUST SEAL	1	1	1	
7-1	54451-03602	LEVER, front brake cam	1	1	-	to 54451-03002
7-2	54451-03002	LEVER, front brake cam	-	-	1	
8	08322-21068	WASHER	1	1	1	
9	08311-11068	NUT	1	1	1	
10	09100-06050	BOLT	1	1	1	
11	09160-12011	WASHER	1	1	1	12.7x20x1
12	54611-27200	GEAR, speedometer	1	1	1	
13	54621-24900	PINION, speedometer	1	1	1	
14	54632-01001	BUSHING, speedometer pinion	1	1	1	
15	09160-05001	THRUST WASHER	2	2	2	5x9x0.4
16	54661-07000	DRIVER, speedometer gear	1	1	1	
17	09160-18002	THRUST WASHER	1	1	1	18.5x24x1
18	09134-03101	SCREW	1	1	1	
19	08331-11189	CIRCLIP	1	1	1	
20	54711-27200	AXLE, front	1	1	1	
21	54740-27200	SPACER, front axle RH	1	1	1	
22	54730-27100	SPACER, front hub bearing	1	1	1	

FIG.29 FRONT WHEEL

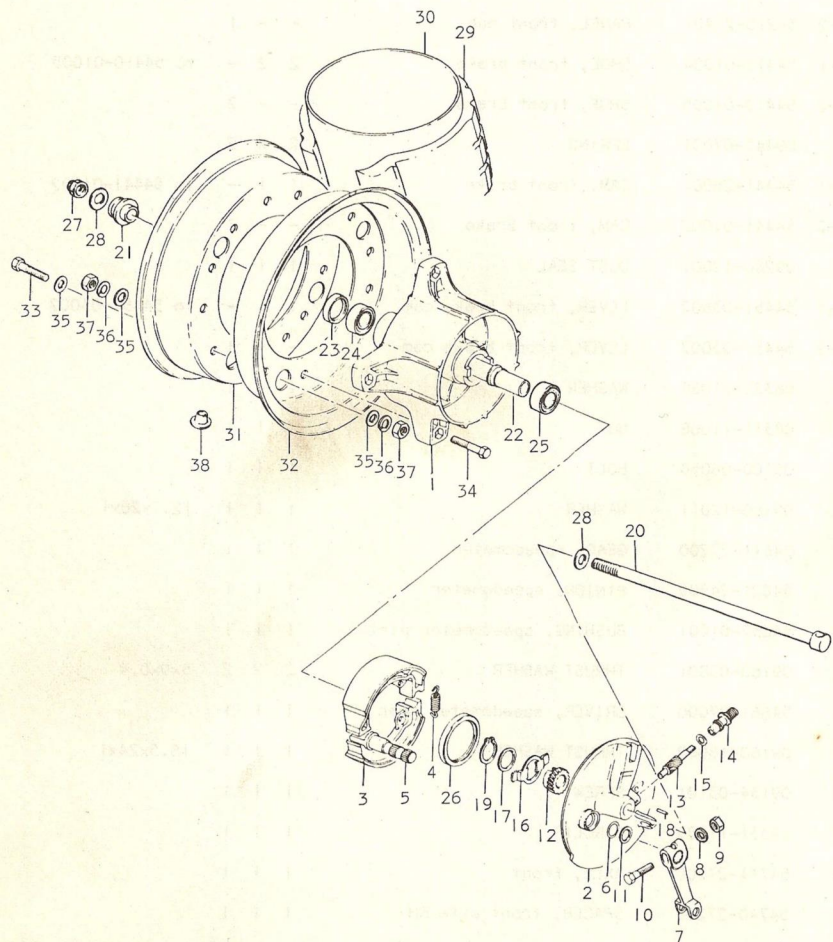


FIG.29 FRONT WHEEL

Ref.No.	Part No.	Description	Q'ty			Remarks
			K	L	M	
23	09285-18002	OIL SEAL	1	1	1	18x32x7
24	08113-62010	BEARING	1	1	1	
25	08143-62010	BEARING	1	1	1	
26	09285-43001	OIL SEAL	1	1	1	43x58x7
27-1	09159-12101	NUT	1	1	-	to 09159-12102
27-2	09159-12102	NUT	-	-	1	
28	08322-11128	WASHER	2	2	2	
29	55100-27230	TIRE	1	1	1	5.40-10
30	55200-27230	TUBE, wheel inner	1	1	1	5.40-10
31	55312-27200-046	RIM, wheel RH	1	1	1	4.00D-10
32	55313-27100-046	RIM, wheel LH	1	1	1	4.00D-10
33	01122-08168	BOLT	8	8	8	
34	01122-08258	BOLT	4	4	4	
35	08322-11088	WASHER	20	20	20	
36	08321-21088	LOCK WASHER	12	12	12	
37	08312-11088	NUT	12	12	12	
38	09305-08006	BUSHING	1	1	1	



FIG.30 HANDLEBAR - CABLE

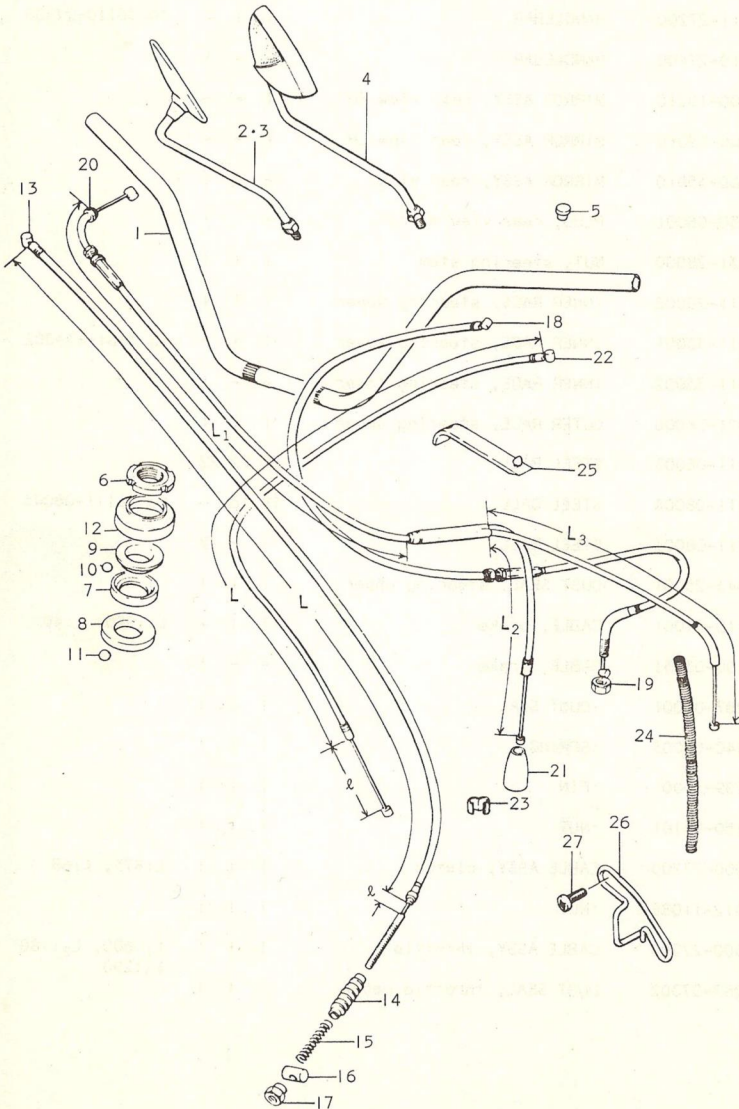


FIG.30 HANDLEBAR - CABLE

Ref.No.	Part No.	Description	Q'ty			Remarks
			K	L	M	
22-1	58410-01751	CABLE, starter	1	1	-	L:870, l:63
22-2	58410-08710	CABLE, starter	-	-	1	
23	09408-00002	CLIP	1	1	1	
24	58399-27100	PROTECTOR, cable	1	1	1	
25	09407-05402	BAND	4	4	4	
26	58621-27200	GUIDE, cable	1	1	1	
27	02141-06107	SCREW	1	1	1	

FIG.31 HANDLE SWITCH

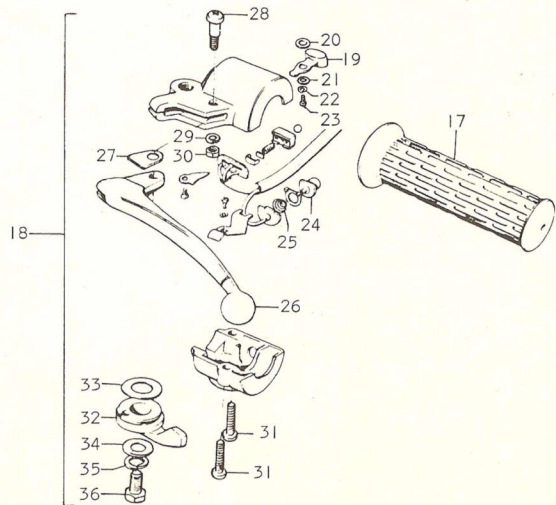
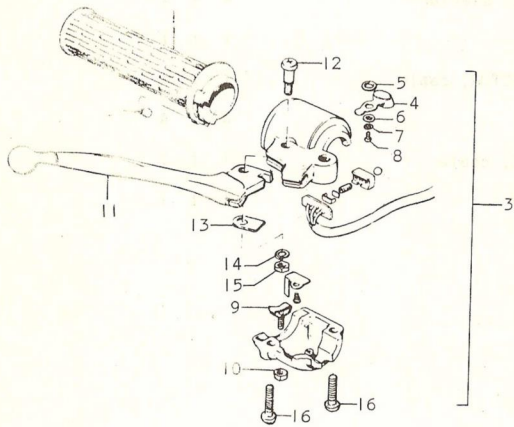


FIG.31 HANDLE SWITCH

Ref.No.	Part No.	Description	Q'ty			Remarks
			K	L	M	
1	57110-20601	GRIP ASSY, throttle	1	1	1	
2	58631-07010	END PIECE, throttle grip	1	1	1	
3-1	57300-27012	SWITCH ASSY, brake lever	1	-	-	
3-2	57300-27211	SWITCH ASSY, brake lever	-	1	1	
4	57320-01011	•KNOB, dimmer switch	1	1	1	
5	57334-01010	•WAVE WASHER	1	1	1	
6	08322-21038	•WASHER	1	1	1	
7	08321-21038	•LOCK WASHER	1	1	1	
8	09125-03103	•SCREW	1	1	1	
9	57390-07011	•ADJUSTER, grip	1	1	1	
10	08311-11058	•NUT	1	1	1	
11	57421-27210	•LEVER, brake	1	1	1	
12	57431-01011	•SCREW	1	1	1	
13	57435-20010	•SPACER, lever	1	1	1	
14	08321-21058	•LOCK WASHER	1	1	1	
15	08311-11058	•NUT	1	1	1	
16	09125-05105	•SCREW	2	2	2	
17	57211-20601	GRIP, LH	1	1	1	

FIG.31 HANDLE SWITCH

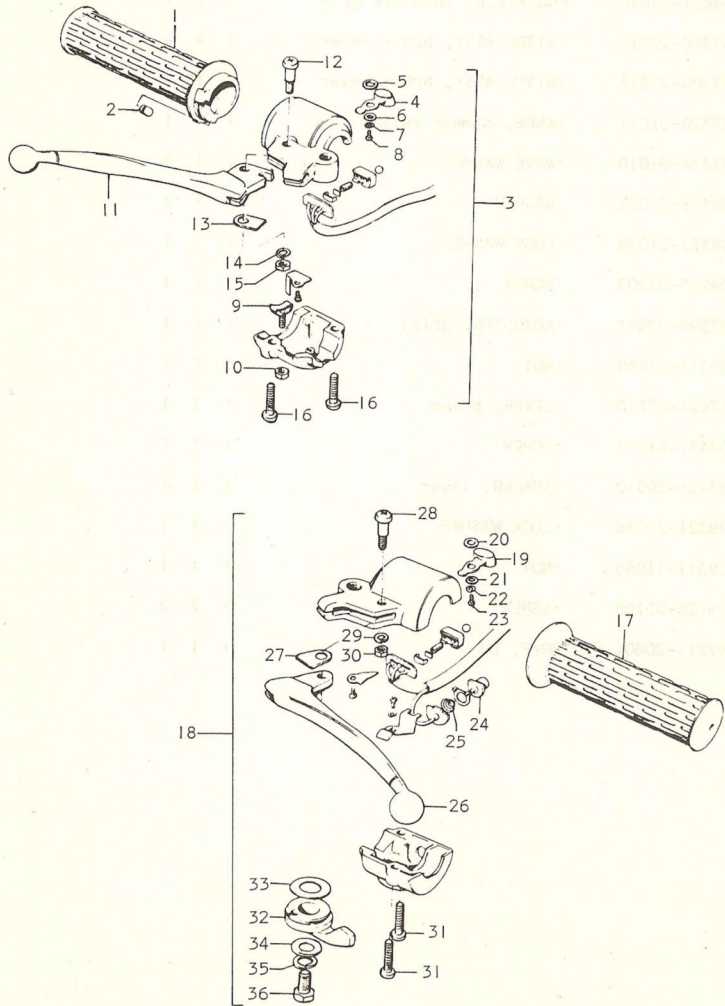


FIG.31 HANDLE SWITCH

Ref.No.	Part No.	Description	Q'ty			Remarks
			K	L	M	
18	57500-27211	SWITCH ASSY, clutch lever	1	1	1	
19	57320-01011	•KNOB	1	1	1	
20	57334-01010	•WAVE WASHER	1	1	1	
21	08322-21038	•WASHER	1	1	1	
22	08321-21038	•LOCK WASHER	1	1	1	
23	09125-03103	•SCREW	1	1	1	
24	57370-01311	•SWITCH BUTTON	1	1	1	
25	57382-01311	•SPRING	1	1	1	
26	57621-27210	•LEVER, clutch	1	1	1	
27	57435-20010	•SPACER, lever	1	1	1	
28	57431-01011	•SCREW	1	1	1	
29	08321-21058	•LOCK WASHER	1	1	1	
30	08311-11058	•NUT	1	1	1	
31	09125-05105	•SCREW	2	2	2	
32	58721-25611	•LEVER, starter	1	1	1	
33	58722-03010	•WAVE WASHER	1	1	1	
34	58723-03010	•WASHER	1	1	1	
35	08321-21068	•LOCK WASHER	1	1	1	
36	01112-06128	•BOLT	1	1	1	

FIG.32 GEAR SWINGING ARM

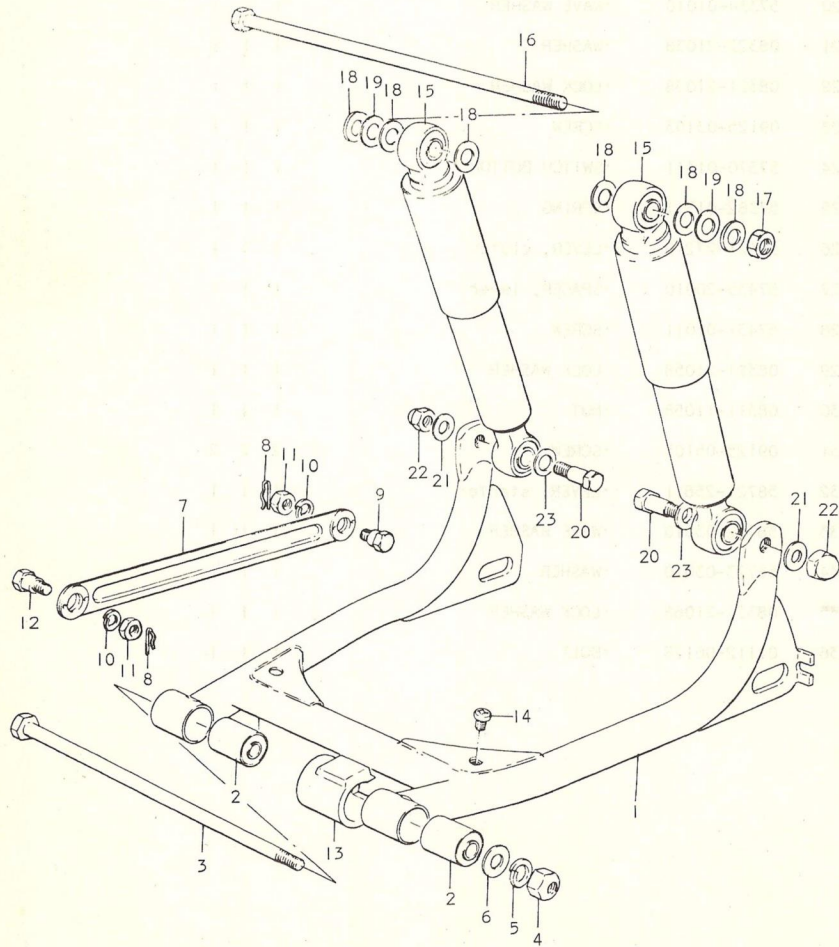


FIG.32 REAR SWINGING ARM

Ref.No.	Part No.	Description	Q'ty			Remarks
			K	L	M	
1-1	61100-27813-138	ARM, rear swinging	1	1	-	
1-2	61100-27813-156	ARM, rear swinging	1	-	-	
1-3	61100-27813-164	ARM, rear swinging	1	1	-	
1-4	61100-27813-778	ARM, rear swinging	-	-	1	
1-5	61100-27813-798	ARM, rear swinging	-	-	1	
2	09319-10009	BUSH	2	2	2	
3	61211-20001	SHAFT, rear swinging arm	1	1	1	
4-1	09140-10001	NUT	1	1	-	to 09140-10012
4-2	09140-10012	NUT	-	-	1	
5	08321-21108	LOCK WASHER	1	1	1	
6	09160-10028	WASHER	2	2	2	
7-1	64310-27200	TORQUE LINK, rear	1	1	-	to 64310-21200
7-2	64310-21200	TORQUE LINK, rear	-	-	1	
8	09385-10001	CLIP	2	2	2	
9	09111-08013	BOLT, rear brake panel	1	1	1	
10	08321-21088	LOCK WASHER	2	2	2	
11	09140-08008	NUT	2	2	2	
12	09111-08012	BOLT	1	1	1	
13	61273-27000	BUFFER, chain touch defence	1	1	1	
14	02112-06068	SCREW	1	-	-	



FIG.32 GEAR SWINGING ARM

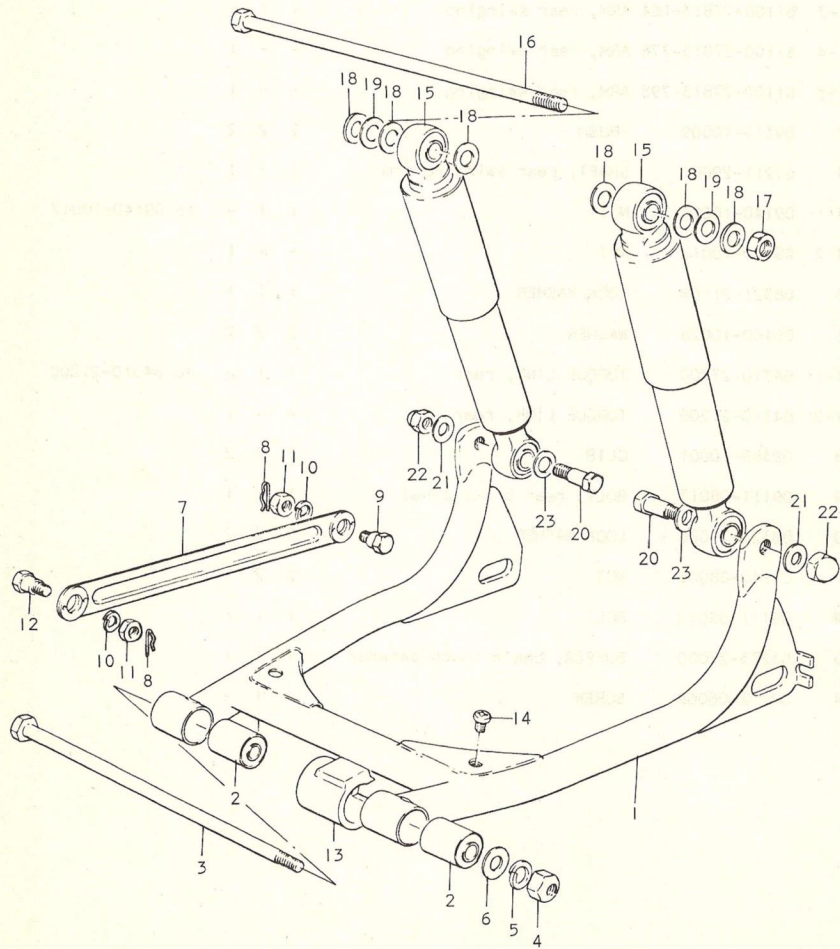


FIG.32 REAR SWINGING ARM

Ref.No.	Part No.	Description	Q'ty			Remarks
			K	L	M	
15-1	62100-24031-138	SHOCK ABSORBER ASSY, rear	2	2	-	to 62100-24032-138
15-2	62100-24031-156	SHOCK ABSORBER ASSY, rear	2	-	-	to 62100-24032-156
15-3	62100-24031-164	SHOCK ABSORBER ASSY, rear	2	2	-	to 62100-24032-164
15-4	62100-24032-778	SHOCK ABSORBER ASSY, rear	-	-	2	
15-5	62100-24032-798	SHOCK ABSORBER ASSY, rear	-	-	2	
16	62311-27200	SHAFT, shock absorber upper	1	1	1	
17-1	09140-10001	NUT	1	1	-	to 09140-10012
17-2	09140-10012	NUT	-	-	1	
18	09160-10001	WASHER	6	6	6	
19	09160-10033	WASHER	2	2	2	
20	09111-10008	BOLT	2	2	2	
21	08322-11128	WASHER	2	2	2	
22	08313-11107	NUT	2	2	2	
23	09160-10001	WASHER	2	2	2	

FIG.33 REAR WHEEL

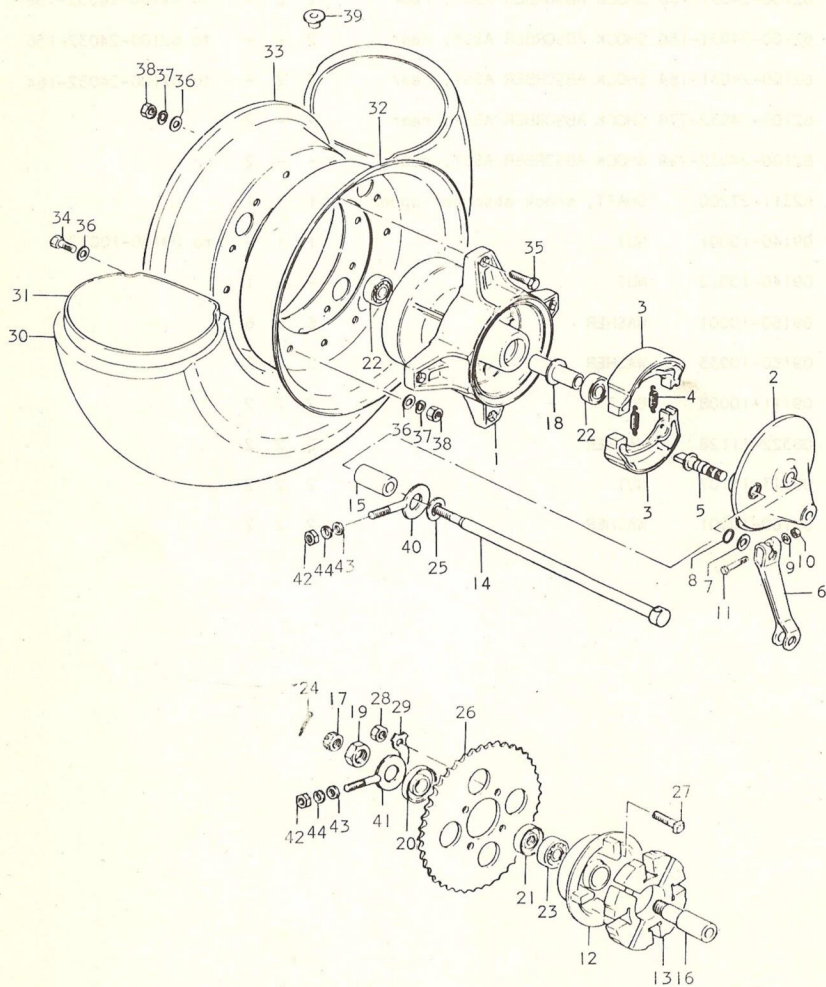


FIG.33 REAR WHEEL

Ref.No.	Part No.	Description	Q'ty			Remarks
			K	L	M	
1	64110-27100	HUB, rear wheel	1	1	1	
2	64210-01004	PANEL, rear brake anchoer	1	1	1	
3-1	54410-01004	SHOE, rear brake	2	2	-	to 54410-01005
3-2	54410-01005	SHOE, rear brake	-	-	2	
4	09443-07001	SPRING	2	2	2	
5-1	54441-28001	CAM, rear brake	-	1	-	to 54441-01002
5-2	54441-01001	CAM, rear brake	1	-	-	to 54441-01002
5-3	54441-01002	CAM, rear brake	-	-	1	
6-1	64451-27610	LEVER, rear brake cam	1	1	-	to 64451-27200
6-2	64451-27200	LEVER, rear brake cam	-	-	1	
7	09160-12011	WASHER	1	1	1	
8	09280-12001	O RING	1	1	1	
9	08322-21068	WASHER	1	1	1	
10	08311-11068	NUT	1	1	1	
11	09100-06050	BOLT	1	1	1	
12	64611-01001	DRUM, sprocket mounting	1	1	1	
13	64651-01000	CUSHION	1	1	1	
14	64711-27100	AXLE, rear	1	1	1	
15	09180-12046	SPACER	1	1	1	
16	64761-27100	SHAFT, rear sprocket drum	1	1	1	
17	08314-11108	NUT	1	1	1	
18	64730-27100	SPACER, rear hub bearing	1	1	1	
19	09140-16005	NUT	1	1	1	
20	64620-27100	SPACER, sprocket drum shaft	1	1	1	
21	09285-25001	OIL SEAL	1	1	1	
22	08143-62010	BEARING	2	2	2	
23	08113-62030	BEARING	1	1	1	

FIG.33 REAR WHEEL

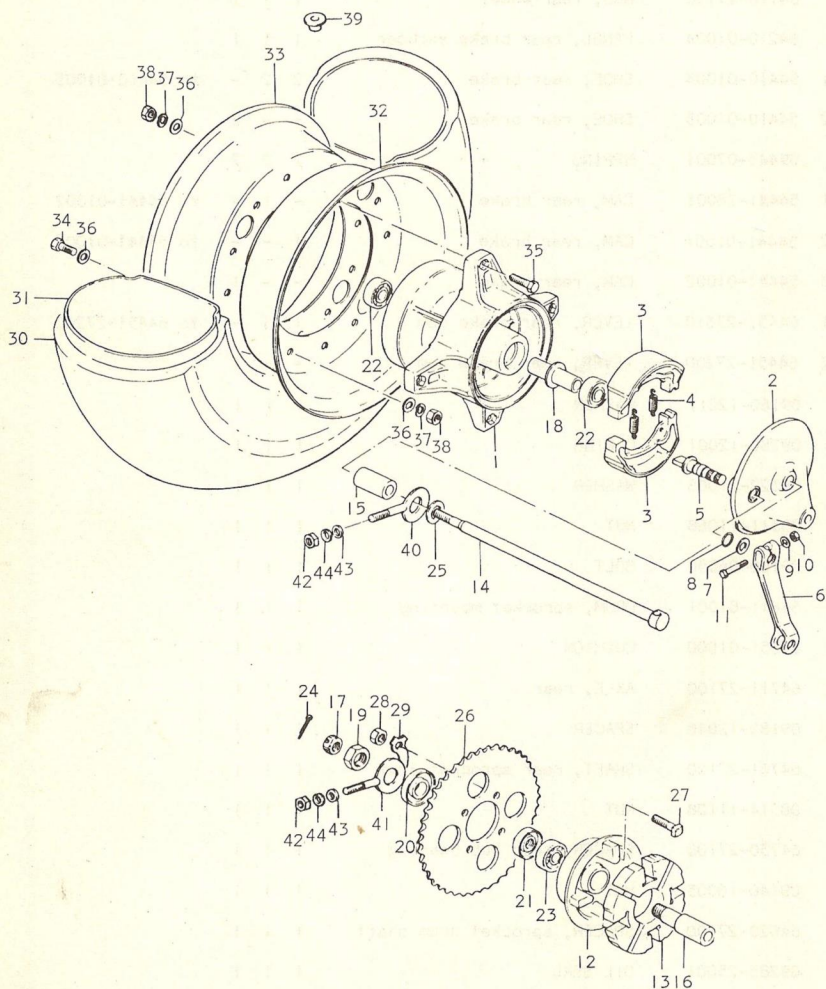


FIG.33 REAR WHEEL

Ref.No.	Part No.	Description	Q'ty			Remarks
			K	L	M	
24	04111-20308	COTTER PIN	1	1	1	
25	08322-11128	WASHER	1	1	1	
26-1	64511-27750	SPROCKET, rear	1	1	1	NT:32 #420
26-2	64511-01970	SPROCKET, rear	1	-	-	NT:35 #420
27	09105-08001	BOLT	4	4	4	
28-1	08312-31088	NUT	4	4	-	
28-2	09140-08010	NUT	-	-	4	
29	09169-08011	WASHER	2	2	2	
30	55100-27230	TIRE	1	1	1	5.40-10
31	55200-27230	TUBE, wheel inner	1	1	1	5.40-10
32	55312-27200-046	RIM, wheel RH	1	1	1	4.00D-10
33	55313-27100-046	RIM, wheel LH	1	1	1	4.00D-10
34	01122-08168	BOLT	8	8	8	
35	01122-08258	BOLT	4	4	4	
36	08322-11088	WASHER	20	20	-	
37	08321-21088	LOCK WASHER	12	12	12	
38	08312-11088	NUT	12	12	12	
39	09305-08006	BUSHING	1	1	1	
40-1	61411-01602	ADJUSTER, chain RH	1	1	-	to 61411-01002
40-2	61411-01002	ADJUSTER, chain RH	-	-	1	
41-1	61421-01602	ADJUSTER, chain LH	1	1	-	to 61421-01002
41-2	61421-01002	ADJUSTER, chain LH	-	-	1	
42	08311-11068	NUT	2	2	2	
43	08322-21068	WASHER	2	2	2	
44	08321-21068	LOCK WASHER	2	2	2	

FIG.34 OPTIONAL

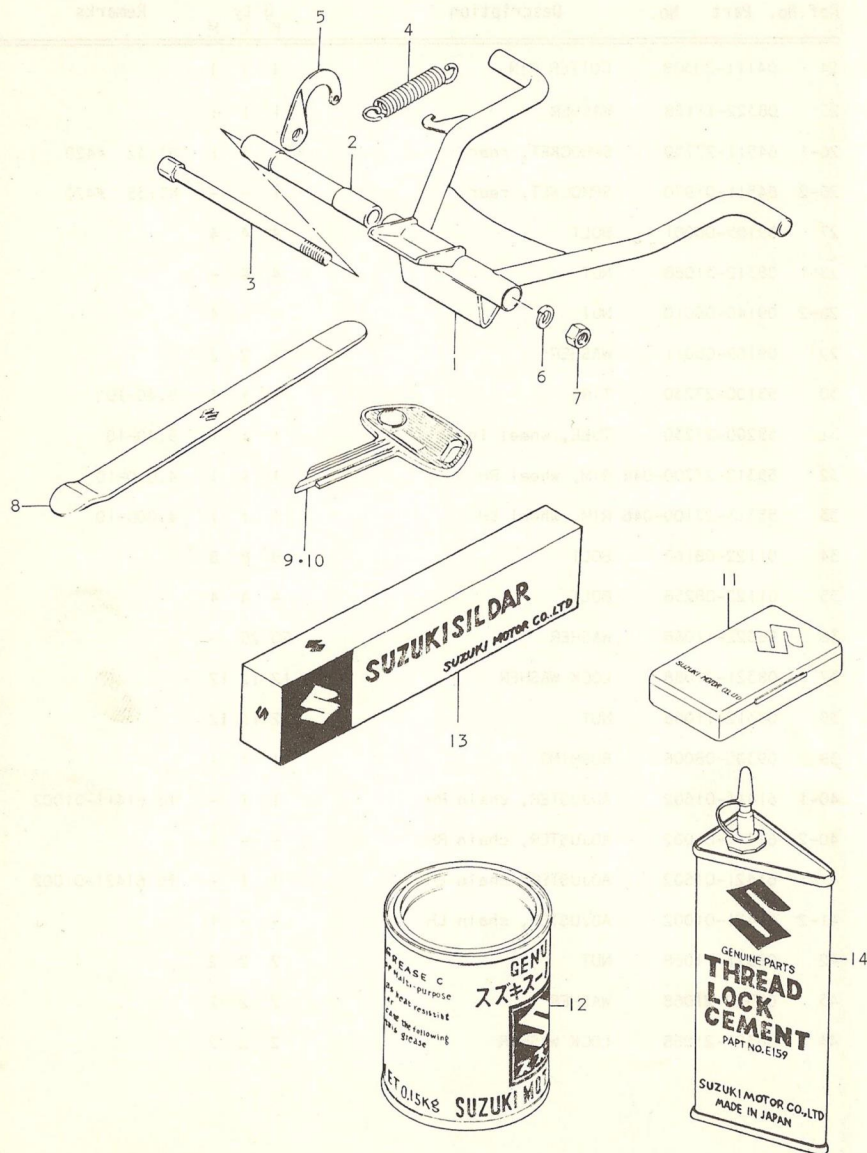


FIG.34 OPTIONAL

Ref.No.	Part No.	Description	Q'ty			Remarks
			K	L	M	
1	42100-27200	STAND, center	1	1	1	
2	42211-27200	SPACER, center stand	1	1	1	
3	09100-10088	BOLT	1	1	1	
4	09443-16002	SPRING	1	1	1	
5	42251-03002	HOOK	1	1	1	
6	08321-21108	LOCK WASHER	1	1	1	
7	08312-11108	NUT	1	1	1	
8	09825-00002	LEVER, tire	1	1	1	
9	37145-25700	BRANK KEY	1	1	-	
10	37145-19710	BRANK KEY	-	-	1	
11	09826-00001	TOOL, inner tube repairing	1	1	1	
12	99000-25030	GREESE, supper	1	1	1	
13	99000-33010	GASKET, liquid	1	1	1	
14	99000-32040	CEMENT, thread lock	1	1	1	
15	11400-22820	GASKET SET	1	1	1	

FIG.35 OPTIONAL

Ref.No.	Part No.	Description	Q'ty			Remarks
			K	L	M	
1-1	99000-10105-019	PAINT (BLACK)				
1-2	99000-10105-046	PAINT (SILVER METALLIC)				
1-3	99000-10205-126	PAINT (PEARL METALLIC)	-	-		
1-4	99000-10205-138	PAINT (CANDY ORANGE)			-	
1-5	99000-10205-156	PAINT (CANDY CORPORATE BLUE)			-	NET:500g
1-6	99000-10205-164	PAINT (CANDY LIME GREEN)			-	
1-7	99000-10105-189	PAINT (EGRET WHITE)			-	
1-8	99000-10205-778	PAINT (SPECIAL OLEEVE GREEN METALLIC)	-	-		
1-9	99000-10205-798	PAINT (COLORADO ORANGE METALLIC)	-	-		
2-1	99000-10109-019	PAINT (BLACK)				
2-2	99000-10109-046	PAINT (SILVER METALLIC)				
2-3	99000-10209-126	PAINT (PEARL METALLIC)	-	-		
2-4	99000-10209-138	PAINT (CANDY ORANGE)			-	
2-5	99000-10209-156	PAINT (CANDY CORPORATE BLUE)			-	NET:90g
2-6	99000-10209-164	PAINT (CANDY LIME GREEN)			-	
2-7	99000-10109-189	PAINT (EGRET WHITE)			-	
2-8	99000-10209-778	PAINT (SPECIAL OLEEVE GREEN METALLIC)	-	-		
2-9	99000-10209-798	PAINT (COLORADO ORANGE METALLIC)	-	-		

PARTS NUMBER INDEX

PARTS NUMBER INDEX

Part No.	Page-Ref.No.	Part No.	Page-Ref.No.	Part No.	Page-Ref.No.
----------	--------------	----------	--------------	----------	--------------

10000

11111-19001	1-05	13249-05010	4-26
11141-14000	1-06	13251-01010	4-20
11210-27200	1-09	13252-06110	4-21
11241-19000	1-10	13254-11010	4-22
11300-22831	1-12-2	13267-05010	4-01
11303-22805	1-12-1	13268-01010	4-15
11340-22000	2-14-2	13268-05010	4-02
11340-22001	2-14-1	13269-01010	4-14
11351-22001	2-05-2	13296-27210	4-03
11351-22002	2-05-1	13370-01011	4-18
11361-27200	2-10	13383-19010	4-10
11380-27201	7-10	13392-01010	4-19
11381-01001	2-01	13394-12110	4-09
11383-22001	5-20	13411-01010	4-13
11400-22820	34-15	13417-01010	4-12
11440-27200	5-23	13551-19110	4-07
11481-22001	1-13	13573-05010	4-06
11482-22000	2-15	13581-01010	4-08
11483-22001	2-06	13688-08010	4-05
11491-27100	2-02	13700-27123-126	5-01-5
11492-22000	5-21	13700-27420-126	5-01-4
11911-24000	2-04	13700-27420-611	5-01-1
12000-19803	3-05-1	13700-27420-621	5-01-2
12100-22820	3-01-3	13700-27420-904	5-01-3
12100-22830	3-01-5	13721-27120	5-04
12110-19601	3-02-1	13780-27700	5-02
12110-19701	3-02-3	13781-27120	5-03
12110-19711	3-02-5	13881-27200	5-12-1
12110-35000	3-02-2	13881-27201	5-12-2
12110-35010	3-02-4	14181-19000	6-05
12110-35020	3-02-6	14301-27640	6-01
12140-05828	3-01-1	14510-27200	6-02-1
12140-05829	3-01-2	14510-27201	6-02-2
12140-05830	3-01-4	14781-27200	6-13
12151-02000	3-03	16100-19014	7-01-2
12161-13100	3-07-1	16100-35831	7-01-1
12161-35000	3-07-2	16292-03110	7-04
12200-35890	3-05-2	16391-05030	7-08
12211-19000	3-09	16731-03100	7-09
12221-19001	3-11-1	16810-05031	7-12
12221-35000	3-11-2	16816-19000	7-16
12261-19000	3-12-1	16820-19032	7-15
12261-35000	3-12-2		
12511-06100	3-13		
12561-19002	1-21		
13150-35010	3-26		
13156-19001	3-27-1		
13156-35000	3-27-2		
13200-27210	4-0		
13247-05010	4-25		

20000

21111-19002	3-21
21200-22001	8-01
21231-19040	8-02
21241-22000	8-03
21411-22000	8-06
21441-07200	8-11
21451-22000	8-12
21462-22000	8-13
21466-07000	8-15
23121-22000	8-17
23200-22000	8-18
23222-07000	8-23
24121-22100	9-01
24131-22100	9-12
24221-22100	9-03
24231-22100	9-02
24241-22100	9-05
24310-22100	9-16
24321-22100	9-13
24331-22100	9-15
24741-05000	9-10
25211-22100	10-01
25311-22610	10-07
25322-02000	10-10
25341-23000	10-12
25350-23000	10-15
25510-22100	10-28
25600-05103	10-34-1
25600-05104	10-34-2
25652-16500	10-35
25671-19000	10-31
26211-05000	11-01
26221-01030	11-02
26222-01001	11-03
26231-01000	11-07
26232-06000	11-06
26241-35000	11-14
26260-19002	9-17
26280-19000	9-08
26300-03002	11-15
26352-01000	11-16
27511-26000	9-23
27600-05011	9-26
27620-01011	9-27

30000

32100-22011	13-01
32100-26612	12-01-2
32100-26613	12-01-1
32102-22011	13-02
32102-26612	12-11-2
32102-26613	12-11-1
32120-03110	13-03
32120-26610	12-02-2
32120-26611	12-02-1
32140-03110	12-03-1
32140-03110	13-04
32140-26611	12-03-2
32240-28010	12-05
	13-07
32341-03110	12-07
32341-03110	13-10
32371-03010	12-09-1
32371-03020	12-09-2
	13-11
32800-19061	20-19-2
32800-27161	20-19-1
33410-27210	12-17
	13-20
33500-69810	1-01-2
33503-10801	1-01-1
33541-22000	1-02-1
33541-69010	1-02-2
33542-98000	1-03
33610-03610	20-23
33651-30000	20-25
33652-27200	20-26
34100-27121	14-02
34100-27123	15-01
34100-27691	14-01
34100-27693	15-02
34110-27123	15-03
34110-27693	15-04
34170-27021	15-07
34170-27120	14-03
34170-27693	15-08
34910-22330	14-15
34950-26001	14-12
34950-27021	15-11
34955-16420	15-12
34955-20000	14-06
34957-05100	14-08
34972-25721	15-15
34973-18620	15-13
34980-25621	15-06
34980-25721	15-05

35100-25322-999	16-02
35100-27222	17-01
35111-27221	16-03
	17-02
35124-27222	16-05
35124-27222	17-03
35125-27222	16-06
	17-04
35128-27221	16-08
	17-06
35171-25320	16-07
35171-27220	17-05
35601-27210	18-01
35603-27210	18-02
35612-20010	18-03
35613-06111	18-04
35623-06110	18-05
35710-27340	19-01
35712-06110	19-02
35765-15010	19-05
35766-15010	19-04
36500-27622	12-23
36610-27201	20-09-1
36610-27202	20-09-2
36652-27200	20-37
36740-15010	20-31
36810-22610	20-27
36852-15670	16-27
36862-27690	20-28
37110-26612	20-01-1
37110-27111	20-01-2
37115-27300	20-02
37132-03000	20-05
37145-19710	34-10
37145-25700	34-09
37711-05100	10-19
37712-01000	10-22
37721-05100	10-21
37740-20010	20-33
38500-27031	20-15
38500-27431	20-16-1
38500-27432	20-16-2
38610-12110	18-12
38610-26020	18-11
38615-27220	18-13

40000

41100-27201-138	21-01-1
41100-27201-156	21-01-2
41100-27201-164	21-01-3
41100-27400-778	21-02-1
41100-27400-798	21-02-2
41540-27200	20-29
42100-27200	34-01
42211-27200	34-02
42251-03002	34-05
42310-27200	22-01
43110-27200	22-05
43300-27200	22-12
43510-27200	22-19
43610-03001	22-21
43612-03001	22-20
44000-27809	23-02
44111-27200	23-01
44171-27400-189	21-03
44184-27200	21-08
44261-27200	23-18
44300-27110	23-04
44300-27210	23-05
44322-27000	23-09
44370-27200-138	23-15-1
44370-27200-156	23-15-2
44370-27200-164	23-15-3
44370-27200-778	23-15-4
44370-27200-798	23-15-5
44541-27000	23-19
44545-27200	23-20
44600-31830	23-25
44600-35820	23-24-2
44611-27200	23-22
44651-05000	23-23
44660-18818	23-03
44660-33808	23-24-1
45100-27200-403	24-01
45100-27201-403	24-02
45100-27202-403	24-03
45120-27200	24-04
45210-27200	24-21
45211-02000	24-09
45221-27200	24-18
45260-27200-019	24-15
45270-27200-019	24-25-1

Part No.	Page-Ref.No.	Part No.	Page-Ref.No.	Part No.	Page-Ref.No.
45270-27200-019	24-25-2	51172-27410	26-10	51821-25300	17-18
45285-27200	24-26-1	51172-27430	27-18	51822-27301	16-24
45285-27200-019	24-26-2	51173-27430	27-19		
46310-27200	24-32	51177-27100	25-14	51827-27301	16-25
46310-27400	24-33	51178-27201	25-13		17-16
47140-27200	21-07	51181-22010	26-07	51845-31030	16-26
		51183-03010	26-16		17-15
			27-06	53100-27820-138	28-01-1
		51184-27200	25-11	53100-27820-156	28-01-2
		51193-27000	25-16	53100-27820-164	28-01-3
		51194-27200	25-15	53111-27660-138	28-07-1
		51197-27101	25-30	53111-27660-164	28-07-2
		51310-27200-019	25-19-2	53111-27660-778	28-07-3
		51310-27201-019	25-19-1	53111-27660-798	28-07-4
		51311-27510	26-18	53210-27200	28-05
		51351-20010	26-20	53210-27400	28-09
		51356-22011	26-26	53210-27401	28-10
		51356-27410	26-27	53240-27200	28-06
		51410-27201-138	25-02-1	53240-27400	28-11
		51410-27201-156	25-02-2	53240-27401	28-12
		51410-27201-164	25-02-3	54110-27100	29-01
		51410-27411-019	26-08	54210-27401	29-02-2
		51451-15113	26-21	54210-28002	29-02-1
		51455-31000	25-24	54410-01004	29-03-1
		51530-27410-778	26-12-1		33-03-1
		51530-27410-798	26-12-2	54410-01005	29-03-2
		51540-27410-778	26-13-1		33-03-2
		51540-27410-798	26-13-2	54441-01001	33-05-2
		51553-27410	26-14	54441-01002	29-05-2
		51571-27100	25-17		33-05-3
		51571-27410	26-17	54441-28001	29-05-1
		51575-27410	26-11		33-05-1
		51611-20002	30-07	54451-03002	29-07-2
		51611-33001	30-08-1	54451-03602	29-07-1
		51611-33002	30-08-2	54611-27200	29-12
		51621-28000	30-09	54621-24900	29-13
		51621-33001	25-03	54632-01001	29-14
		51631-28000	30-06	54661-07000	29-16
		51643-25001	30-12	54711-27200	29-20
		51810-26000-138	16-22-1	54730-27100	29-22
		51810-26000-156	16-22-2	54740-27200	29-21
		51810-26000-164	16-22-3	55100-27230	29-29
		51810-26000-778	17-11-1		33-30
		51810-26000-798	17-11-2	55200-27230	29-30
		51810-27200-138	16-13-1		33-31
		51810-27200-156	16-13-2	55312-27200-046	29-31
		51810-27200-164	16-13-3		33-32
		51817-06301	16-20	55313-27100-046	29-32
		51818-06301	16-21		33-33
		51821-25300	16-23	56110-27400	30-02

Part No.	Page-Ref.No.	Part No.	Page-Ref.No.	Part No.	Page-Ref.No.
56111-27200	30-01	61100-27813-138	32-01-1		
56211-27100-019	25-26	61100-27813-156	32-01-2		
56211-27210	26-19	61100-27813-164	32-01-3		
56500-19010	30-03-1	61100-27813-778	32-01-4		
56500-35010	30-04	61100-27813-798	32-01-5		
56600-19010	30-03-2	61211-20001	32-03	87810-54900	21-19-2
57110-20601	31-01	61273-27000	32-13		
57211-20601	31-17	61411-01002	33-40-2		
57300-27012	31-03-1	61411-01602	33-40-1		
57300-27211	31-03-2	61421-01002	33-41-2		
57320-01011	31-04	61421-01602	33-41-1		
	31-19	62100-24031-138	32-15-1		
57334-01010	31-05	62100-24031-156	32-15-2		
	31-20	62100-24031-164	32-15-3		
57337-01010	31-09	62100-24032-778	32-15-4		
		62100-24032-798	32-15-5	99000-10105-019	35-01-1
		62311-27200	32-16	99000-10105-046	35-01-2
		64110-27100	33-01	99000-10105-189	35-01-7
57370-01311	31-24	64210-01004	33-02	99000-10109-019	35-02-1
57382-01311	31-25	64310-21200	32-07-2	99000-10109-046	35-02-2
57390-07011	31-09				
		64310-27200	32-07-1	99000-10205-126	35-01-3
57421-27210	31-11	64451-27200	33-06-2	99000-10205-138	35-01-4
57431-01011	31-12	64451-27610	33-06-1	99000-10205-156	35-01-5
	31-28	64511-01970	33-26-2	99000-10205-164	35-01-6
57435-20010	31-13	64511-27750	33-26-1	99000-10205-778	35-01-8
	31-27				
		64611-01001	33-12	99000-10205-798	35-01-9
57500-27211	31-18	64620-27100	33-20	99000-10209-126	35-02-3
57621-27210	31-26	64651-01000	33-13	99000-10209-138	35-02-4
58100-03731	30-13-2	64711-27100	33-14	99000-10209-156	35-02-5
58110-01001	30-13-1	64730-27100	33-18	99000-10209-164	35-02-6
58200-27200	30-18				
		64761-27100	33-16	99000-10209-189	35-02-7
58300-27200	30-20-1	68111-26610-019	21-12	99000-10209-778	35-02-8
58300-27400	30-20-2	68111-27000	21-11	99000-10209-798	35-02-9
58399-27100	30-24	68131-27200	21-14	99000-25030	34-12
58410-01751	30-22-1	68141-26600	21-13	99000-32040	34-14
58410-08710	30-22-2				
		68141-27610	21-15	99000-33010	34-13
58621-27200	30-26	68148-27600-019	21-17		
58631-07010	31-02	68155-27200-064	28-02		
58721-25611	31-32	68155-27600-742	28-08		
58722-03010	31-33	68156-27200-064	28-03		
58723-03010	31-34				
		68157-27200-064	28-04		
		68158-27200-064	21-23		
		68158-27610-742	21-25		
		68159-27200-064	21-24		
		68171-26000	21-16		
		68234-25300	2-26	01111-06087	20-17-2
			5-25	01112-06108	25-25
				01112-06128	24-19-1
					24-27
					28-13

Part No.	Page-Ref.No.	Part No.	Page-Ref.No.	Part No.	Page-Ref.No.		
01112-06128	31-36	02112-05168	8-22	04211-09129	2-09		
01112-06168	5-08		12-15		2-20		
	10-13		12-18		30-10		
	24-19-2		13-15		30-11-2		
	24-28		13-23		30-11-1		
01112-06208	10-36	02112-05168	23-06	08113-62010	29-24		
	11-17		28-16		33-23		
	19-07		7-06		3-19		
01112-08168	24-16-1	02112-05308	6-14	08113-63030	9-19		
01122-08168	22-25	02112-06068	32-14	08143-62010	29-25		
01122-08168	24-16-2	02112-06108	7-11	08143-62010	33-22		
	29-33		20-13		08211-12241	9-04-2	
	33-34		1-23		08211-12261	9-04-1	
01122-08258	16-14	02112-06208	23-26	08211-12302	11-12		
	17-12		26-24	08211-17342	8-07		
01122-08258	29-34	02112-06258	2-19	08311-11058	14-11		
	33-35		02112-06307		1-20	15-14	
01122-10168	6-10		2-12		28-21		
01122-10208	22-09		27-08		31-10		
01221-08357	26-22	02112-06358	1-19		31-15		
01221-08557	25-28	02112-06408	1-18	08311-11058	31-30		
01221-08658	25-27		2-08		1-07		
01221-08707	26-23		2-18		8-20		
01421-06958	1-11		02112-06458		1-17	19-08	
02111-03048	10-24-1		2-11	24-05			
02111-03067	10-24-2	02112-06508	2-07	08311-11068	24-11		
02111-04067	13-13		02112-06557		1-16	24-14	
02111-04087	5-05		02112-06608		1-15	24-29	
	26-25		02112-06657		2-17	29-09	
	27-07		02112-06808		2-16	33-10	
02111-04107	12-08	02121-05167	3-28	08311-11068	33-42		
	12-10		8-16		12-12		
	13-09	02121-06108	9-11-1	08311-11108	13-18		
02111-04127	16-10	02122-06128	1-22	28312-11088	1-31		
02111-04168	10-23-2		10-20		7-20		
02111-04207	4-23	02122-06168	9-11-2	08312-11088	14-13		
	5-18		02122-06208		10-11	29-37	
	10-23-1		02141-05067		26-31	30-19	
02111-04258	5-19	02141-06107	21-04	33-38			
	12-04		30-27	08312-11108	22-04		
02111-04258	13-06	02141-06167	21-05	08312-11108	34-07		
	19-03		02211-04128		17-08	08312-31088	33-28-1
02111-05068	6-03	02311-04108	12-06	08312-31108	18-06		
02111-05087	2-03	04111-12108	4-04	08313-11107	32-22		
02111-05127	20-07	04111-20208	22-17	08314-11108	33-17		
02111-05207	5-22	04111-20208	22-24	08321-11068	19-09		
	20-20		04111-20308		33-24	08321-21038	31-07
	20-03		04111-25208		10-06		31-22
02112-05168	5-24	04111-30308	22-07	08321-21048	4-24		
	7-05	04211-09129	1-14		5-06		

Part No.	Page-Ref.No.	Part No.	Page-Ref.No.	Part No.	Page-Ref.No.		
08321-21048	10-26	08321-21108	34-06	09100-06011	20-30		
	13-05		08321-31088		1-28	09100-06050	29-10
	13-08		08322-11088		1-29		33-11
	13-12				16-15	09100-08001	6-06
	16-11				17-13	09100-08033	1-26
08321-21048	17-09	08322-11088	29-35	09100-08046	1-25		
08321-21058	6-04		33-36	09100-08085	22-26		
	7-07	08322-11128	29-28	09100-10004	6-11		
	12-19			32-21	09100-10036	25-21-2	
	13-22			33-25	09100-10067	22-03	
08321-21058	14-10	08322-21038	10-25	09100-10088	34-03		
	20-08			31-06	09104-10005	25-20	
	20-21			31-21	09105-08001	33-27	
	23-07	08322-21048	5-07	09111-06001	24-12		
	23-17			16-12	09111-06003	10-16	
08321-21058	28-20	08322-21048	17-10	09111-08012	32-12		
	31-14		08322-21058	12-16	09111-08013	32-09	
	31-29		12-20	09111-10008	32-20		
08321-21068	10-37		13-14	09119-08014	7-19		
	11-18		13-21	09125-03103	31-08		
08321-21068	20-04	08322-21058	20-22 2	09125-03103	31-11		
	20-14		22-16		31-23		
	20-18		1-08				
	23-30		2-13		09125-05105	31-16	
	24-06		10-17		31-31		
08321-21068	24-10	08322-21068	10-27	09128-05101	23-16		
	24-13		22-18	09128-06004	2-22		
	24-20		24-07	09134-03101	29-18		
	24-30		24-31	09134-06007	8-19		
	28-14		28-15	09139-06002	11-19		
08321-21068	31-35	08322-21068	29-08	09140-08008	32-11		
	33-44		33-09	09140-08010	33-28-2		
08321-21088	1-27		33-43	09140-10001	32-04-1		
	6-07	08322-21088	1-30		32-17-1		
	14-14			24-23	09140-10004	22-11	
08321-21088	16-16	08322-21108	6-08	09140-10012	32-04-2		
	17-14		12-13		32-17-2		
	22-27		13-16	09140-14002	3-22		
	24-17		18-08	09140-16001	8-08		
	25-29	08323-11168	8-10	09140-16002	9-24		
08321-21088	26-29	08331-11149	11-04	09140-16005	33-19		
	29-36		08331-11189	29-19	09150-05101	30-17	
	32-10		08331-11219	9-07	09150-06001	22-15	
	33-37		08331-31169	25-18	09159-12101	29-27-1	
08321-21108	6-09	08331-41409	26-30	09159-12102	29-27-2		
08321-21108	10-32	08331-41409	27-16	09160-05001	29-15		
	12-14		08341-31039	3-24	09160-05016	28-17	
	13-17			3-25	09160-05024	14-09-2	
	22-10		6-15	09160-06007	14-09-1		
	32-05	09100-06003		09100-06011	21-06-3		
		09100-06011	20-17-1				



Part No.	Page-Ref.No.	Part No.	Page-Ref.No.	Part No.	Page-Ref.No.
09160-06007	23-29	09201-04003	10-09	09319-08008	1-24-2
09160-06019	8-21	09209-05012	11-08	09319-10009	32-02
09160-06020	19-10	09209-10001	30-16	09320-08004	14-07
09160-06027	5-09	09209-10002	10-03	09320-08007	5-11
09160-08021	21-06-2	09209-10003	10-02	09320-08013	23-13-1
09160-10001	32-18	09209-10010	10-04	09320-09004	21-09
	32-23	09209-11002	22-14		28-19
09160-10028	32-06	09221-05001	8-04	09320-10008	23-27
09160-10033	18-09	09247-10001	1-32-2	09320-12014	16-18
	32-19	09247-14001	1-32-1	09321-08006	24-08
09160-10036	25-21-1	09250-05001	21-22	09321-08007	21-21
09160-10037	18-10	09250-06001	30-05	09329-12002	16-17
09160-12011	29-11	09250-10005	1-35	09343-05021	23-11
	33-07	09250-14002	2-24	09343-05094	23-10
09160-14016	11-13	09259-20003	2-21	09343-05095	23-08
09160-15002	22-08	09261-04002	10-08	09344-03007	2-25-1
09160-16011	3-08	09262-30003	9-09	09344-03014	2-25-2
09160-18002	29-17	09263-12003	3-06	09360-06003	7-02
09160-19006	22-22	09263-16002	3-10		7-17
09160-21005	9-06	09263-21006	8-05	09380-07001	25-23
09161-03004	25-22	09269-20006	3-15	09380-17001	9-14
09164-14004	11-20	09280-12001	29-06	09381-12001	3-04
09166-14008	3-23		33-08	09385-05002	24-24-2
09167-16001	9-25	09280-17001	9-21	09385-06001	24-24-1
09167-17001	8-09	09283-20011	3-16	09385-10001	32-08
09168-06001	2-23	09283-21001	9-20	09400-10301	7-14
09168-06002	7-03-1	09283-22010	25-09	09401-08401	23-12
	7-18-1	09283-23001	3-18	09401-10401	23-14
09168-06004	6-16	09284-12006	11-10	09402-00100	5-14
	7-03-2	09285-05005	8-25	09402-00226	5-16
09168-06004	7-18-2	09285-12002	10-33	09402-58306	5-17
09168-10002	1-33-2	09285-14001	11-11	09402-62306	5-15
	6-12	09285-18002	29-23	09403-00069	20-12
09168-14004	1-33-1	09285-25001	33-21	09403-05302	20-35
09169-06003	10-14	09285-43001	29-26	09404-07702	20-36-2
09169-06010	21-06-1	09287-07001	30-14	09404-07704	20-36-1
09169-08011	33-29	09287-07002	30-21	09407-05402	12-21
09180-05009	28-18	09287-10001	20-38		13-24
09180-06004	10-05	09300-12008	9-18		30-25
09180-06030	23-28	09305-08006	29-38	09407-25301	20-10
09180-07005	5-10	09305-08006	33-39	09408-00002	30-23
09180-08001	16-19	09308-05005	19-11	09408-00011	20-39
09180-08037	21-10	09308-10002	23-13-2	09440-04010	11-09
09180-12046	33-15	09308-12002	7-21	09440-06003	30-15
09180-17008	9-22		20-11	09440-09004	22-13
09180-17026	3-17	09309-07010	1-34	09440-14007	8-14
09180-17027	3-20	09309-08002	7-13	09443-06008	10-30
09180-20017	3-14	09309-09006	12-22	09443-06019	20-34
09181-19001	5-13		13-19	09443-07001	29-04
09200-06010	22-23	09319-08005	1-24-1		33-04

Part No.	Page-Ref.No.	Part No.	Page-Ref.No.	Part No.	Page-Ref.No.
09443-07014	10-18				
09443-08001	8-24				
09443-14005	22-02				
09443-16002	34-04				
09444-26005	10-29-2				
09444-26006	10-29-1				
09448-12004	24-22				
09448-31003	22-06				
09448-38002	11-05				
09462-00043	20-24				
09462-00046	23-21				
09471-06001	14-05				
	15-10				
09471-06002	14-04				
	15-09				
09471-06008	19-06				
09471-06021	18-07				
09471-06022	16-09				
	17-07				
09481-15001	20-32				
09482-00059	1-04				
09491-65003	4-16				
09492-15003	4-17				
09494-00110	4-11				
09800-00108	21-18				
09820-00002	21-19-1				
09821-00004	21-20				
09825-00002	34-08				
09826-00001	34-11				



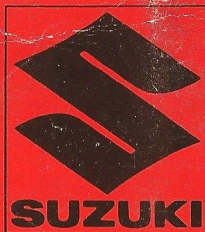
**SUZUKI MOTOR CO., LTD.**

Head Office : Hamamatsu - Nishi, P.O.Box 1,  
432-91 Hamamatsu, Japan

SUZUKI RV50 PARTS CATALOGUE

3rd Edition  
Printed in Dec., 1974  
Published in Dec., 1974  
Editor : SUZUKI MOTOR Co., LTD.  
Export parts section

Reprint Prohibited



**SUZUKI MOTOR CO., LTD.**

**HEAD OFFICE**

P.O. BOX 1,  
Hamamatsu-nishi 432-91,  
Hamamatsu, JAPAN

**TOKYO BRANCH OFFICE**

23-2, Daikyo-cho,  
160 Shinjuku-ku,  
Tokyo, JAPAN

---

**U.S. SUZUKI MOTOR CORPORATION**

13767 Freeway Drive,  
Santa Fe Springs,  
California 90670  
U.S.A