



HONDA

Z50A
Z50AK2

15

2

PARTS LIST
HONDA GENUINE PARTS

PARTS LIST

FOR

HONDA

Z50A • Z50AK2

FOREWORD

This Parts List contains all the replacement parts for the Z50A and Z50AK2 models and is to be used when ordering replacement parts.

The frame number must be informed us together with any replacement parts order. The reason for this is that it is necessary to verify that the parts being ordered are applicable to the model series intended.

No supplement to this Parts List will be issued. In case of any change to its content, no notification or supplement will be issued for this Parts List. However, a revised edition of this Parts List will be issued to maintain it up-to-date.

The revised edition can be identified by the revision No. on the cover. To check on the latest Parts List revision, please contact your nearest distributor.

June 20, 1974

HONDA MOTOR CO., LTD.

GROUP INDEX

**INSTRUCTION
FOR
USE OF PARTS LIST**

2 ~ 7

ENGINE GROUP

8 ~ 39

FRAME GROUP

40 ~ 99

PART NO. INDEX

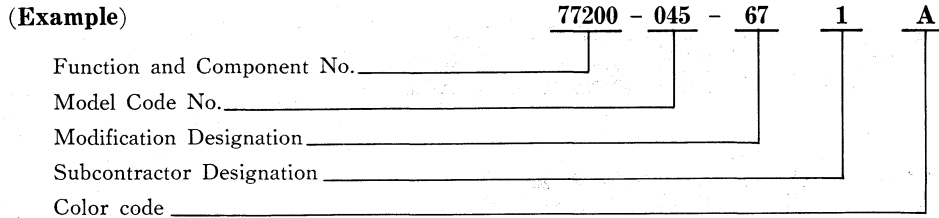
101 ~ 107

INSTRUCTION FOR USE OF PARTS LIST

DESCRIPTION OF PARTS LIST

1. Make-up of the Part Number

The following example is the definition of part number.



2. Abbreviations

The abbreviations used in this Parts List are as follows.

ASSY.	Assembly	KPH	Kilometers per hour
COMP.	Complete	MPH	Miles per hour
R.	Right	L (100L)	Link (100 Links)
L.	Left	A.C.	Alternating current
STD.	Standard	D.C.	Direct current
MM	Millimeter	IN.	Inlet
G	Gram	EX.	Exhaust
T (22T)	Tooth (22 Teeth)	FR.	Front
A	Ampere	RR.	Rear
V	Volt	HEX.	Hexagonal
W	Watt		

3. Dimensions

All dimensions are in millimeters except for the steel balls and wheels.

Parts	Example	Interpretation
Bolt (Screw)	6×12	6 mm diameter, 12 mm length
Pin	8×14	8 mm diameter, 14 mm length
O-Ring	9.5×1.6	9.5 mm diameter, 1.6 mm thickness
Oil seal	14×24×5	14 mm inside diameter, 24 mm outside diameter, 5 mm thickness
Tube	5×130	5 mm inside diameter, 130 mm length

4. Quantity used

In the column "Reqd. No." is shown the quantity of parts used in the respective group.

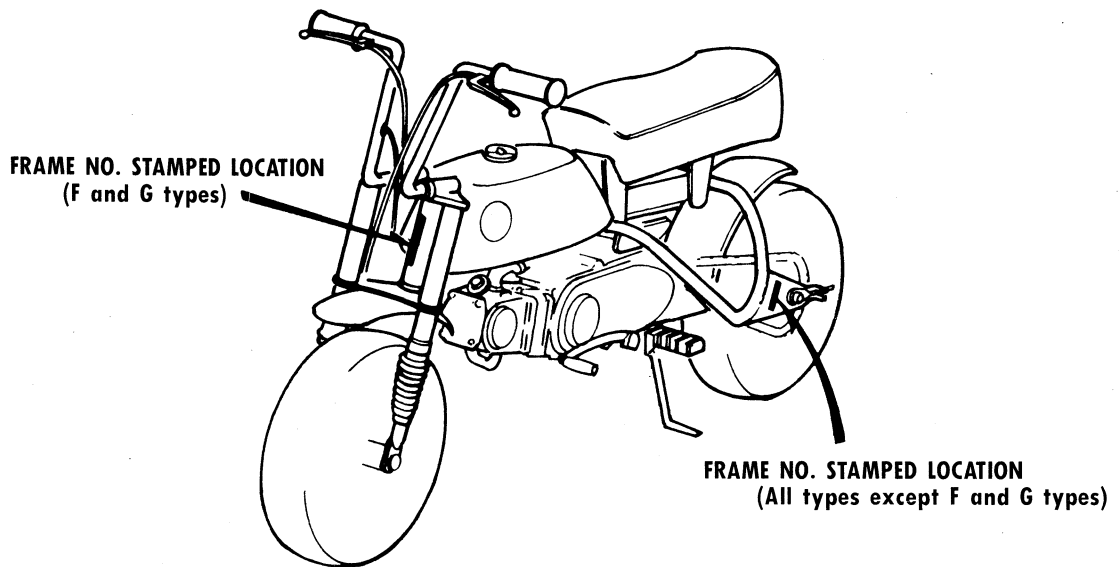
5. Applicable Serial Number

If there is a production change to a part, the frame serial number to which this part become effective will be indicated in the "Serial No." column. However, in case the part is used from the initial serial number, its applicable serial number is not shown.

The initial serial numbers for models are as follows.

Model	Area Code	Type	Initial Frame Serial No.
Z50A	A	U.S.A. (former model)	Z50A-100001~120087
	A	U.S.A. (latter model)	Z50A-120088~270235
	E	England	Z50A-145876~292258
	D	General export	Z50A-156932~298503
Z50AK2	A	U.S.A.	Z50A-270236~387884
	B	Belgium	Z50A-290379~ *
	S	Sweden	Z50A-290379~ *
	E	England	Z50A-292259~ *
	D	General export	Z50A-298504~414497
	G	Germany	Z50A-350831~414717
	U	Australia	Z50A-382790~413697
F	France	Z50A-390878~409132	

The frame serial number is stamped on the following location.



6. Color code

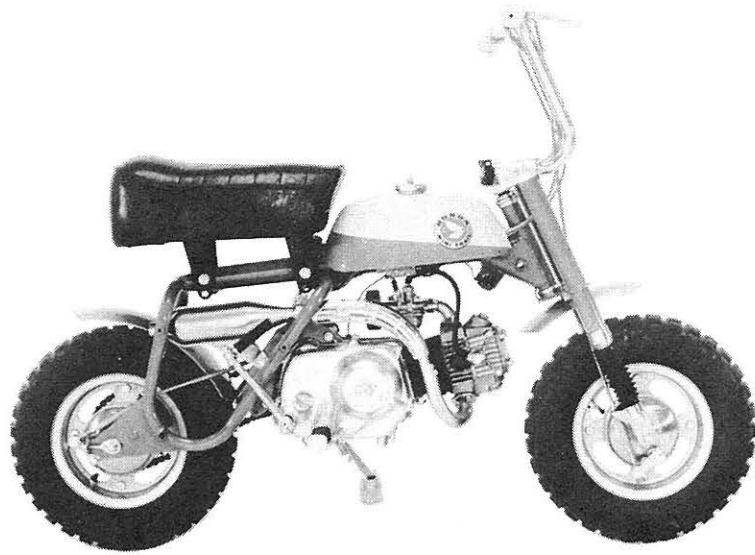
The following table indicates the color descriptions of the color codes which are listed in the text.

Color Code	Color Description	Color Code	Color Description
A	White	B Y	Mexican yellow
A	Black (Seat leather only)	B Z	Candy blue & cloud silver
B	Black	C J	Bright yellow & cloud silver
C	Scarlet	CM	Candy ruby red
S	Dark silver	CN	Candy sapphire blue
Z	Base coating	CR	Candy ruby red & white
AA	Candy red	CU	Candy sapphire blue & white
AB	Candy blue	DQ	Mexican yellow & white
AU	Cloud silver	XB	Bright yellow
BR	Candy red & cloud silver	XL	Ivory white
BV	Ivory white & scarlet	XW	Chrome
BW	Ivory white & bright yellow		

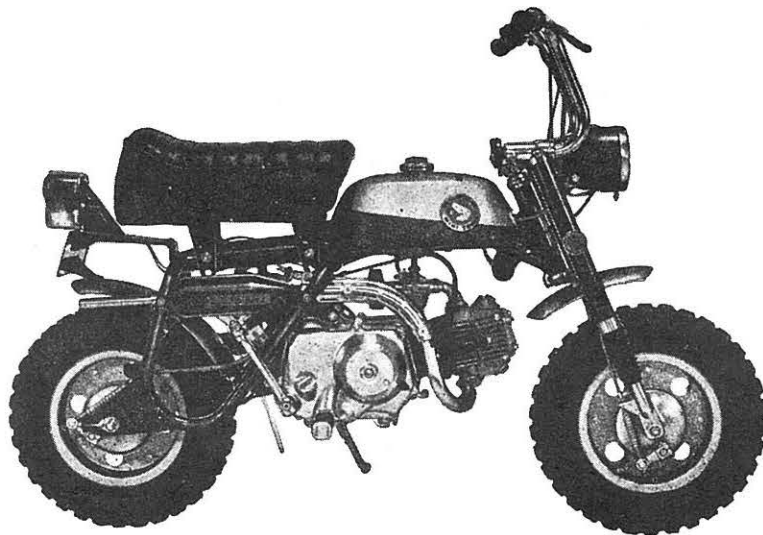
7. The part number described under the part description supersedes the part number ahead.

8. Parts with quantities in () represent optional or oversize parts.

9. This Parts List is compiled as of February 20, 1977.



Z50A-A type (Former model)



Z50A-A type (Latter model)



Z50AK2-A type

CONTENTS

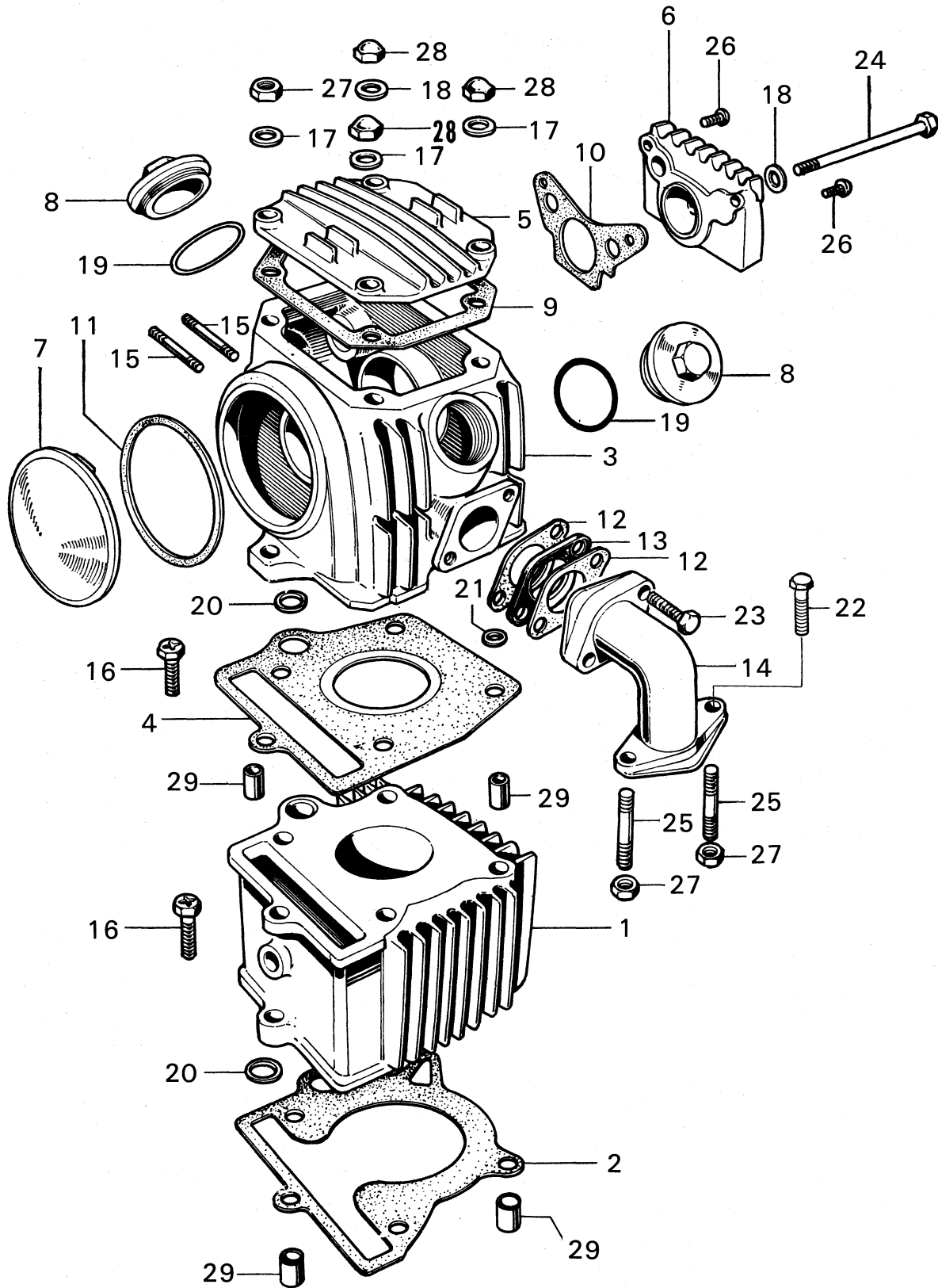
ENGINE GROUP

E- 1	Cylinder • Cylinder Head	8
E- 2	Crankshaft • Piston	10
E- 3	Camshaft • Valve	12
E- 4	Cam Chain Tensioner (Check valve type)	14
E- 4-1	Cam Chain Tensioner (Manual adjusting type)	16
E- 5	Crankcase	18
E- 6	Clutch	20
E- 7	Oil Pump • Right Crankcase Cover	24
E- 8	Transmission	26
E- 9	Gearshift Spindle	28
E-10	Gearshift Drum	30
E-11	Left Crankcase Cover • A.C. Generator	32
E-12	Carburetor	36
E-12-1	Carburetor (Used for F and G types)	38

FRAME GROUP

F- 1	Steering Handle Pipe • Dimmer Switch	40
F- 2	Front Fork • Front Fender	46
F- 3	Front Cushion	50
F- 4	Fuel Tank • Fuel Cock	52
F- 5	Seat • Step Bar • Plug Wrench	56
F- 6	Frame Body • Air Cleaner	58
F- 7	Exhaust Muffler	66
F- 8	Front Wheel	68
F- 9	Rear Wheel	70
F-10	Rear Brake Pedal (Used for A type)	74
F-11	Headlight (Used for A type)	76
F-11-1	Headlight • Speedometer (Used for D and E types)	78
F-11-2	Headlight • Speedometer (Used for B, F, G and S types)	80
F-12	Taillight • Rear Fender (Used for A and S types)	82
F-12-1	Taillight • Rear Fender (Used for U type)	84
F-12-2	Taillight • Rear Fender (Used for B, D and E types)	86
F-12-3	Taillight • Rear Fender (Used for G type)	88
F-12-4	Taillight • Rear Fender (Used for F type)	90
F-13	Wire Harness • Battery	92
F-14	Winker (Used for U type)	94
F-15	Change Pedal • Kick Starter Arm	96
FOP-1	Support Stand Set	98
	PART NUMBER INDEX	101

E-1 Cylinder • Cylinder Head

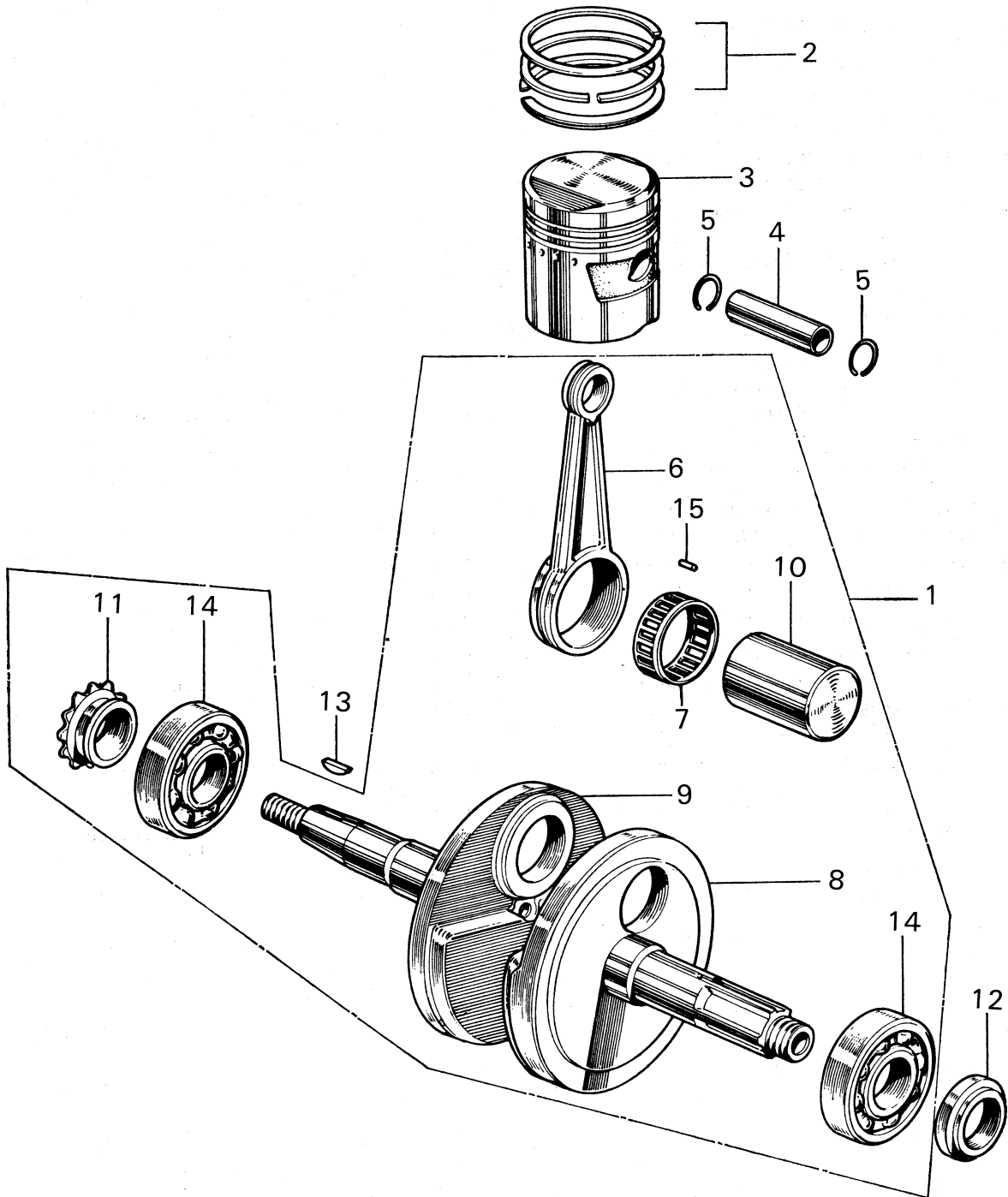


E-1 Cylinder · Cylinder Head

Ref. No.	Part No.	Description	Reqd. No.		Serial No.	Area Code
			Z50A	Z50A K2		
1	12101-041-030	CYLINDER COMP.	1	1		
2	12191-035-020	GASKET, CYLINDER 12191-118-670	1	1		
	12191-118-670	GASKET, CYLINDER		1		
3	12200-041-020	HEAD COMP., CYLINDER 12200-041-030	1	1		
	12200-041-030	HEAD COMP., CYLINDER		1		
4	12251-036-010	GASKET, CYLINDER HEAD	1	1		
5	12301-035-000	COVER, CYLINDER HEAD	1	1		
6	12331-035-000	COVER, R. CYLINDER HEAD SIDE	1	1		
7	12341-035-000	COVER, L. CYLINDER HEAD SIDE	1	1		
8	12361-035-000	CAP, TAPPET ADJUSTING HOLE	2	2		
9	12391-035-000	GASKET, CYLINDER HEAD COVER	1	1		
10	12394-035-000	GASKET, R. CYLINDER HEAD SIDE COVER	1	1		
11	12395-035-000	GASKET, L. CYLINDER HEAD SIDE COVER	1	1		
12	16201-045-000	GASKET, INSULATOR	2	2		
13	16211-045-010	INSULATOR, IN. PIPE	1	1		
14	17111-045-040	PIPE, IN.	1	1		A, B, D, E, S, U
	17111-045-720	PIPE, IN.		1		F, G
15	90033-041-000	BOLT, STUD, 6X32	2	2		
16	90082-035-000	BOLT, HS, 6MM	2	2		
17	90442-035-000	WASHER, SEALING, 6MM	3	3		
18	90443-035-000	WASHER A, SEALING, 6MM	2	2		
19	91302-001-020	O-RING, 30.8MM	2	2		
20	91303-035-000	PACKING, RUBBER, 16MM	2	2		
21	91306-035-000	GASKET, RUBBER, 7.5MM	1	1		
22	92000-06020	BOLT, HEX., 6X20		2		F, G
23	92000-06025	BOLT, HEX., 6X25	2	2		
24	92000-06112	BOLT, HEX., 6X112	1	1		
25	92712-06025-10	BOLT, STUD, 6X25	2	2		A, B, D, E, S, U
26	93500-06010	SCREW, PAN, 6X10	2	2		
27	94001-06000	NUT, HEX., 6MM	3	3		A, B, D, E, S, U
				1		F, G
28	94021-06000	NUT, CAP, 6MM	3	3		
29	94301-08140	PIN A, DOWEL, 8X14	4	4		

ENGINE GROUP

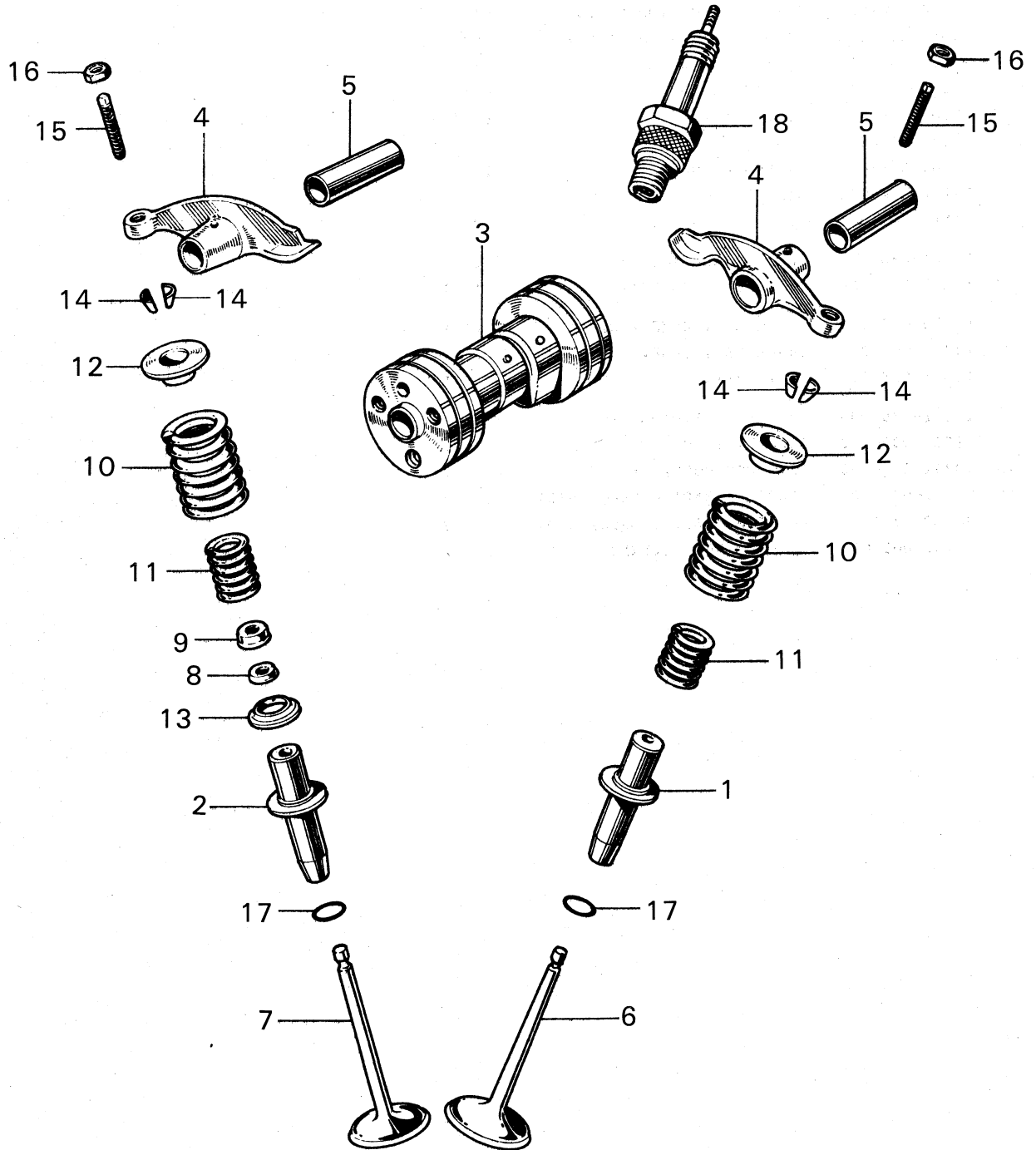
E-2 Crankshaft • Piston



E-2 Crankshaft • Piston

Ref. No.	Part No.	Description	Reqd. No.		Serial No.	Area Code
			Z50A	Z50A K2		
1	13000-041-030	CRANKSHAFT COMP.	1	1		
2	13010-036-000	RING SET, PISTON (STD.)	1	1		
	13020-036-000	RING SET, PISTON (0.25)	(1)	(1)		
	13030-036-000	RING SET, PISTON (0.50)	(1)	(1)		
	13040-036-000	RING SET, PISTON (0.75)	(1)	(1)		
	13050-036-000	RING SET, PISTON (1.00)	(1)	(1)		
3	13101-036-010	PISTON (STD.)	1	1		
	13102-036-010	PISTON (0.25)	(1)	(1)		
	13103-036-010	PISTON (0.50)	(1)	(1)		
	13104-036-010	PISTON (0.75)	(1)	(1)		
	13105-036-010	PISTON (1.00)	(1)	(1)		
4	13111-036-000	PIN, PISTON	1	1		
5	13115-001-000	CLIP, PISTON PIN	2	2		
6	13201-036-000	ROD, CONNECTING	1	1		
7	13211-035-000	RETAINER, CONNECTING ROD ROLLER	1	1		
8	13310-035-050	CRANKSHAFT COMP., R.	1	1		
9	13321-041-020	CRANKSHAFT COMP., L.	1	1		
10	13381-035-010	PIN, CRANK	1	1		
11	14311-035-000	SPROCKET, TIMING (14T)	1	1		
12	22911-035-010	COLLAR, 17MM	1	1		
13	90741-035-000	KEY, WOODRUFF, 3X5	1	1		
14	91001-035-000	BEARING, RADIAL BALL, 6304	2	2		
	96100-63040	BEARING, RADIAL BALL, 6304		2		
15	91101-001-030	ROLLER, ROD, 2.5X10	22	22		

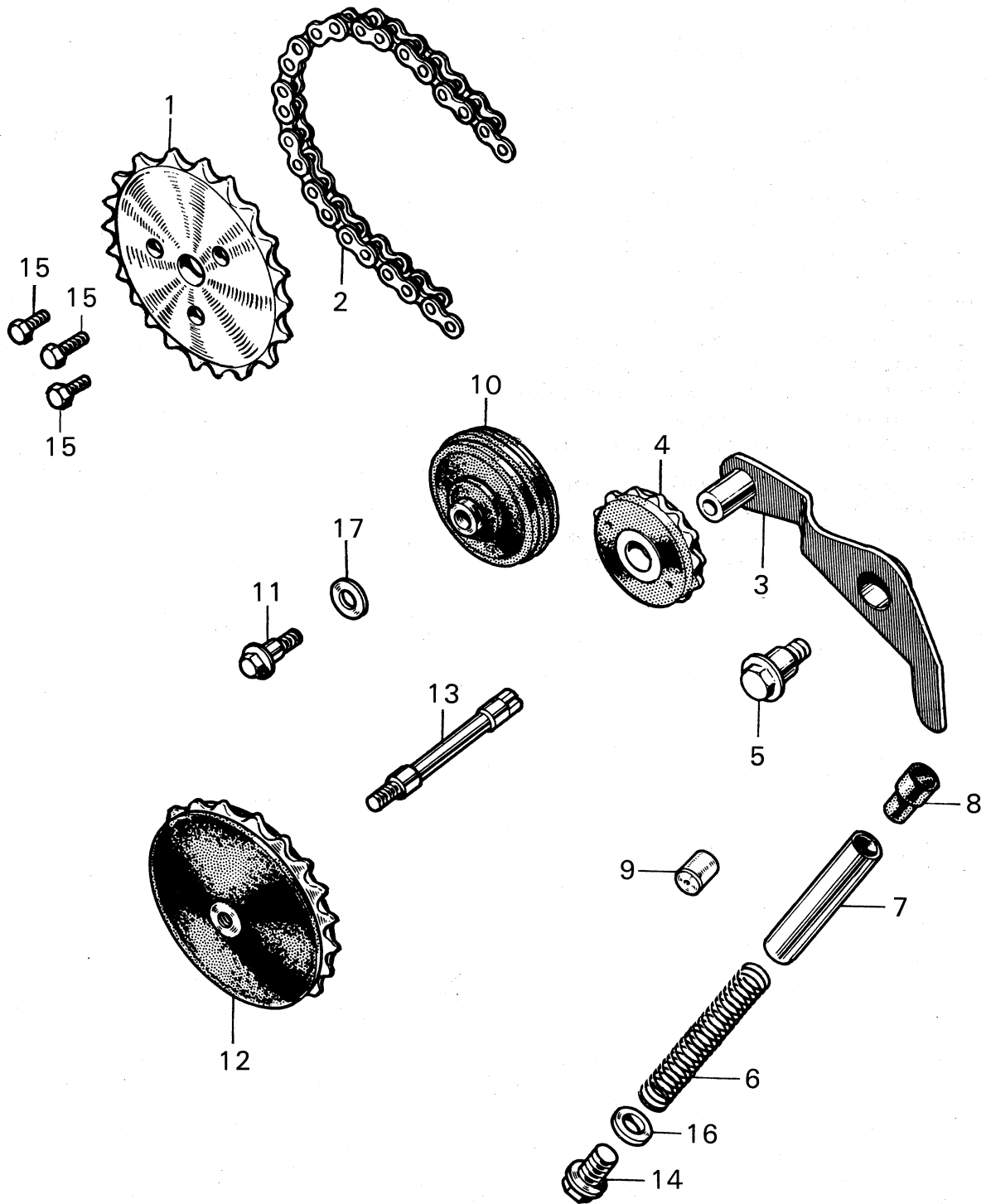
E-3 Camshaft • Valve



E-3 Camshaft • Valve

Ref. No.	Part No.	Description	Reqd. No. Z50A Z50A K2	Serial No.	Area Code
1	12021-035-811	GUIDE, IN. VALVE	1 1		
2	12023-051-310	GUIDE, EX. VALVE	1 1		
	12023-051-320	GUIDE, EX. VALVE	1		
3	14101-041-010	CAMSHAFT 14101-041-020 IN SET WITH 90083-035-010 (3 PCS.)	1	108295	A
	14101-041-020	CAMSHAFT	1 1 1 1	108296	A D,E A,B,F,G,S,U
4	14431-035-000	ARM, VALVE ROCKER	2 2		
5	14451-035-000	SHAFT, VALVE ROCKER ARM	2 2		
6	14711-036-000	VALVE, IN.	1 1		
7	14721-036-000	VALVE, EX.	1 1		
8	14730-028-013	SEAL, VALVE STEM	1 1		
9	14731-028-000	CAP, VALVE STEM SEAL	1 1		
10	14751-035-600	SPRING, VALVE OUTER	2 2		
11	14761-035-000	SPRING, VALVE INNER	2 2		
12	14771-035-600	RETAINER, VALVE SPRING	2 2		
13	14776-028-000	SEAT, VALVE SPRING INNER	1 1		
14	14781-001-010	COTTER, VALVE	4 4		
15	90012-200-000	SCREW, TAPPET ADJUSTING	2 2		
16	90206-001-000	NUT, TAPPET ADJUSTING	2 2		
17	91306-028-000	O-RING, 9.5X1.6	2 2		
18	98056-56711	PLUG, SPARK (C-6H NGK)	1 1		
	98056-56721	PLUG, SPARK (U20FS ND)	1 1		

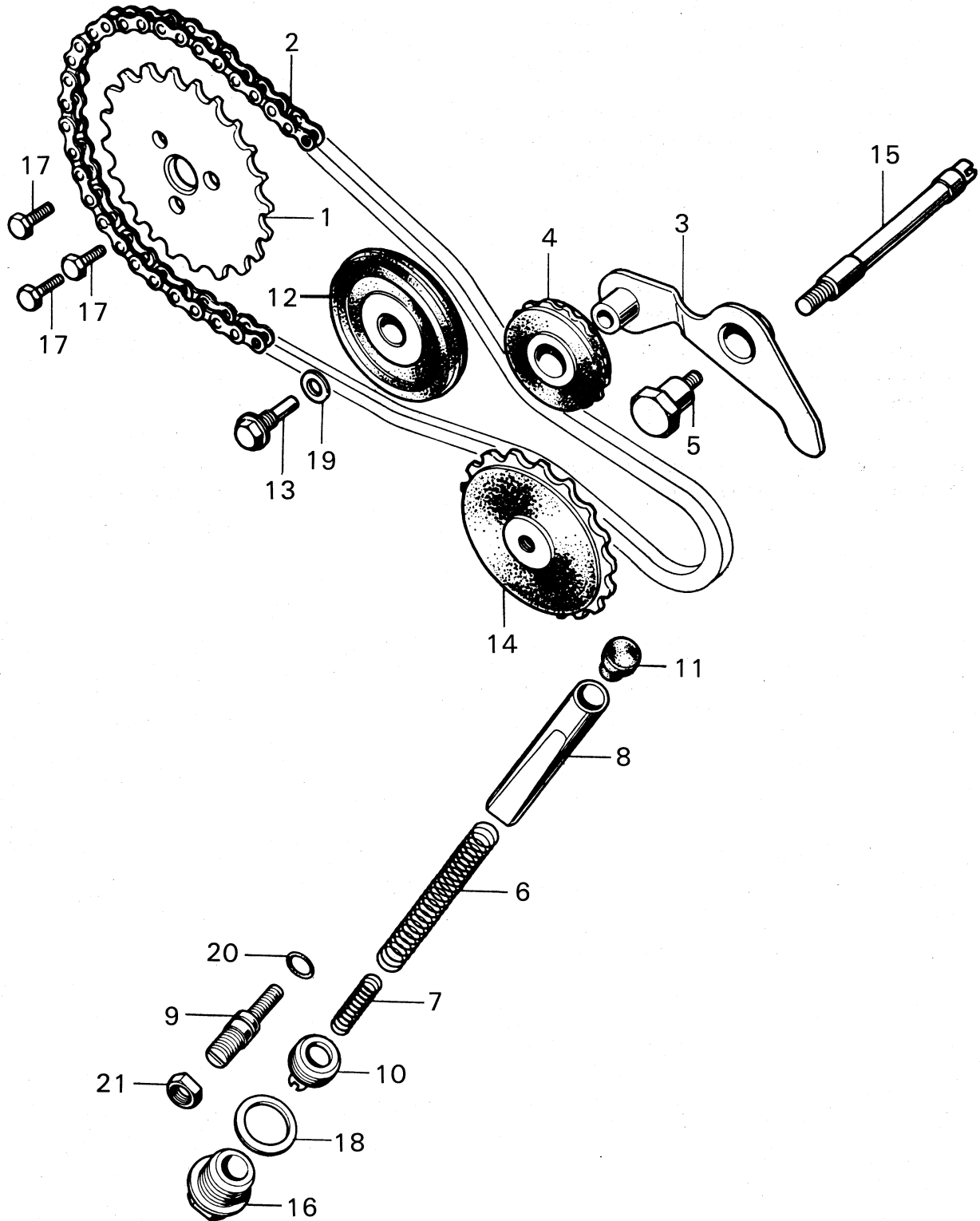
E-4 Cam Chain Tensioner (Check valve type)



E-4 Cam Chain Tensioner (Check valve type)

Ref. No.	Part No.	Description	Reqd. No.		Serial No.	Area Code
			Z50A	Z50A K2		
1	14321-035-010	SPROCKET, CAM (28T)	1	1		A,B,D,E,F,G,S
2	14401-035-000	CHAIN, CAM (82L)	1	1		A,B,D,E,F,G,S
3	14500-035-010	ARM COMP., CAM CHAIN TENSIONER	1	1		A,B,D,E,F,G,S
4	14502-035-010	ROLLER, CAM CHAIN TENSIONER	1	1		A,B,D,E,F,G,S
5	14531-035-000	PIVOT, CAM CHAIN TENSIONER	1	1		A,B,D,E,F,G,S
6	14541-035-010	SPRING, CAM CHAIN TENSIONER	1	1		A,B,D,E,F,G,S
7	14551-035-020	ROD, CAM CHAIN TENSIONER PUSH	1	1		A,B,D,E,F,G,S
8	14566-035-000	RUBBER, CAM CHAIN TENSIONER PUSH ROD HEAD	1	1		A,B,D,E,F,G,S
9	14591-028-000	VALVE, CHECK	1	1		A,B,D,E,F,G,S
10	14610-035-010	ROLLER COMP., CAM CHAIN GUIDE	1	1		A,B,D,E,F,G,S
11	14615-035-000	PIN, CAM CHAIN GUIDE ROLLER	1	1		A,B,D,E,F,G,S
12	14670-035-030	SPROCKET, CAM CHAIN GUIDE	1	1		A,B,D,E,F,G,S
13	14675-035-060	SPINDLE, CAM CHAIN GUIDE SPROCKET	1	1		A,B,D,E,F,G,S
14	90081-035-000	BOLT, SEALING, 14MM	1	1		A,B,D,E,F,G,S
15	90083-035-000	BOLT, KNOCK, 5MM	3		108295	A
	90083-035-010	BOLT, KNOCK, 5MM	3		108296	A
			3	3		D,E
						A,B,F,G,S
16	90441-035-000	WASHER, SEALING, 14MM	1	1		A,B,D,E,F,G,S
17	90481-035-000	WASHER, 8MM	1	1		A,B,D,E,F,G,S

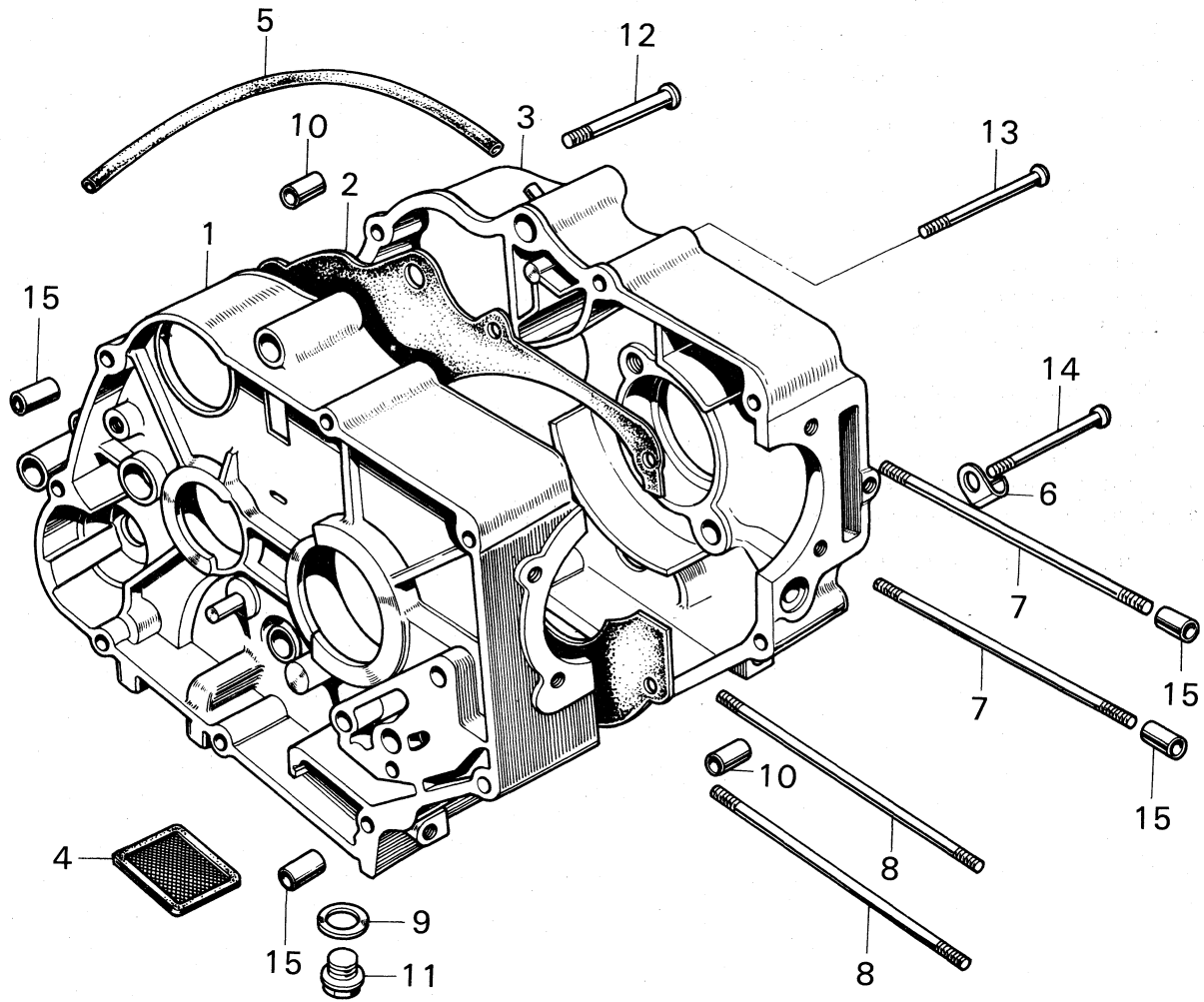
E-4-1 Cam Chain Tensioner (Manual adjusting type)



E-4-1 Cam Chain Tensioner (Manual adjusting type)

Ref. No.	Part No.	Description	Reqd. No.		Serial No.	Area Code
			Z50A	Z50A K2		
1	14321-035-010	SPROCKET, CAM (28T)	1			U
2	14401-035-000	CHAIN, CAM (82L)	1			U
3	14500-035-010	ARM COMP., CAM CHAIN TENSIONER	1			U
4	14502-086-000	ROLLER, CAM CHAIN TENSIONER	1			U
5	14531-035-000	PIVOT, CAM CHAIN TENSIONER	1			U
6	14541-086-010	SPRING A, CAM CHAIN TENSIONER	1			U
7	14542-086-000	SPRING B, CAM CHAIN TENSIONER	1			U
8	14550-086-010	ROD COMP., CAM CHAIN TENSIONER PUSH	1			U
9	14561-086-010	BOLT, CAM CHAIN TENSIONER ADJUSTING	1			U
10	14562-086-000	BOLT B, CAM CHAIN TENSIONER ADJUSTING	1			U
11	14566-086-030	HEAD, CAM CHAIN TENSIONER PUSH ROD	1			U
12	14610-086-000	ROLLER COMP., CAM CHAIN GUIDE	1			U
13	14615-035-000	PIN, CAM CHAIN GUIDE ROLLER	1			U
14	14670-035-030	SPROCKET, CAM CHAIN GUIDE	1			U
15	14675-035-060	SPINDLE, CAM CHAIN GUIDE SPROCKET	1			U
16	90081-086-000	BOLT, SEALING, 14MM	1			U
17	90083-035-010	BOLT, KNOCK, 5MM	3			U
18	90441-035-000	WASHER, SEALING, 14MM	1			U
19	90481-035-000	WASHER, 8MM	1			U
20	91301-216-000	O-RING, 5.5X1.5	1			U
21	94001-08000-0S	NUT, HEX., 8MM	1			U

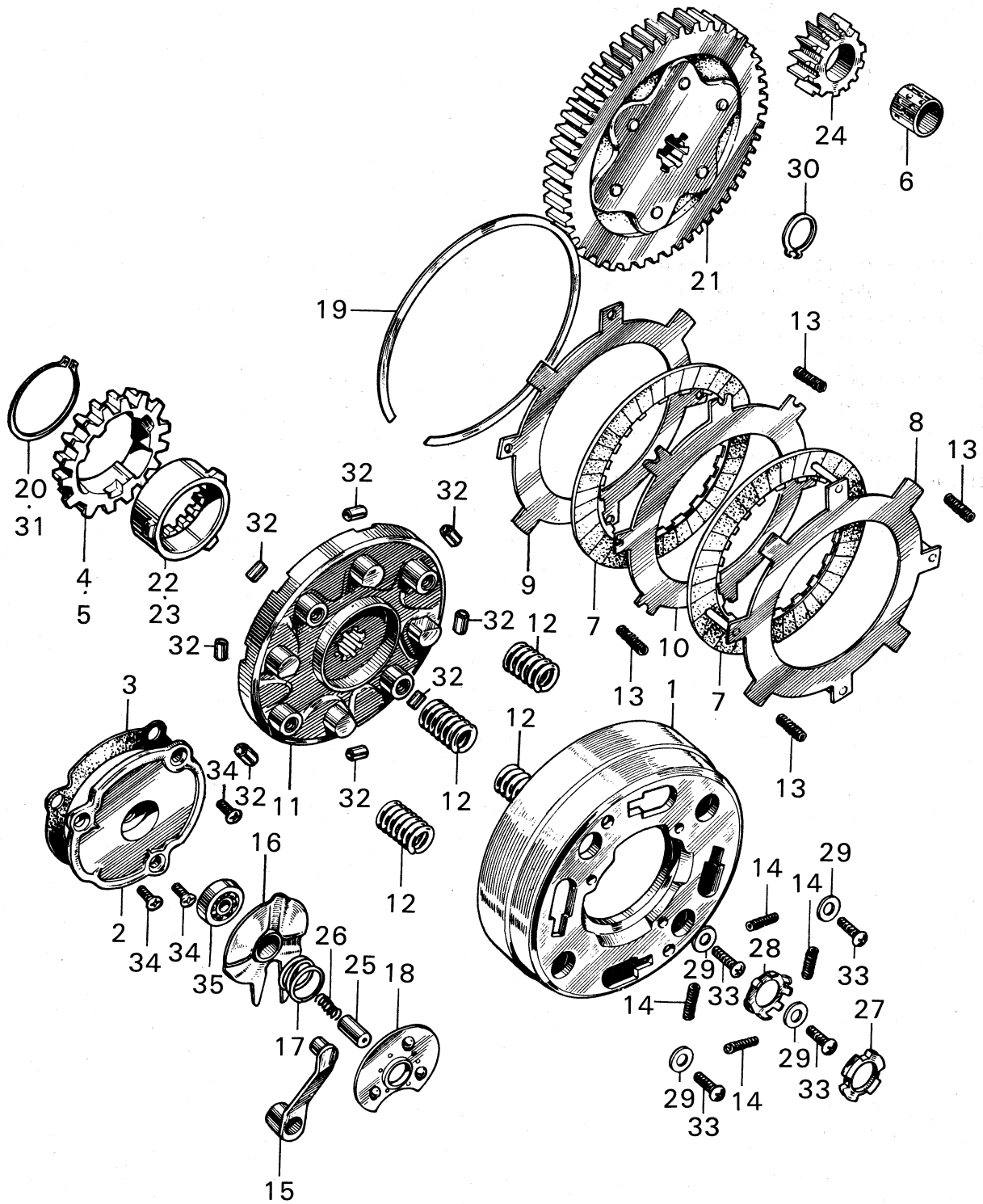
E-5 Crankcase



E-5 Crankcase

Ref. No.	Part No.	Description	Reqd. No.		Serial No.	Area Code
			Z50A	Z50A K2		
1	11100-045-000	CRANKCASE COMP., R. 11100-045-010	1			
	11100-045-010	CRANKCASE COMP., R.		1		
2	11191-035-050	GASKET, R. CRANKCASE	1	1		
3	11200-045-050	CRANKCASE COMP., L.	1	1		A,B,D,E,F,G,S
	11200-120-000	CRANKCASE COMP., L.		1		U
4	15421-035-010	SCREEN, OIL FILTER	1	1		
5	15761-045-000	PIPE, BREATHER 95001-50000	1			
	95001-50000	TUBE, FUEL		1		
6	16236-045-000	CLAMPER, OVER FLOW TUBE	1		255950	
	16236-045-010	CLAMPER, OVER FLOW TUBE	1		255951	
				1		
7	90031-035-010	BOLT A, CYLINDER STUD	2	2		
8	90032-035-000	BOLT B, CYLINDER STUD	2	2		
9	90407-259-000	PACKING, DRAIN COCK	1	1		
10	90704-035-000	PIN A, KNOCK, 10X14	2	2		
11	92800-12000	BOLT, DRAIN PLUG, 12MM	1	1		
12	93500-06048	SCREW, PAN, 6X48	1	1		
13	93500-06060	SCREW, PAN, 6X60	3	3		
14	93500-06065	SCREW, PAN, 6X65	4	4		
15	94301-08120	PIN A, DOWEL, 8X12	4	4		

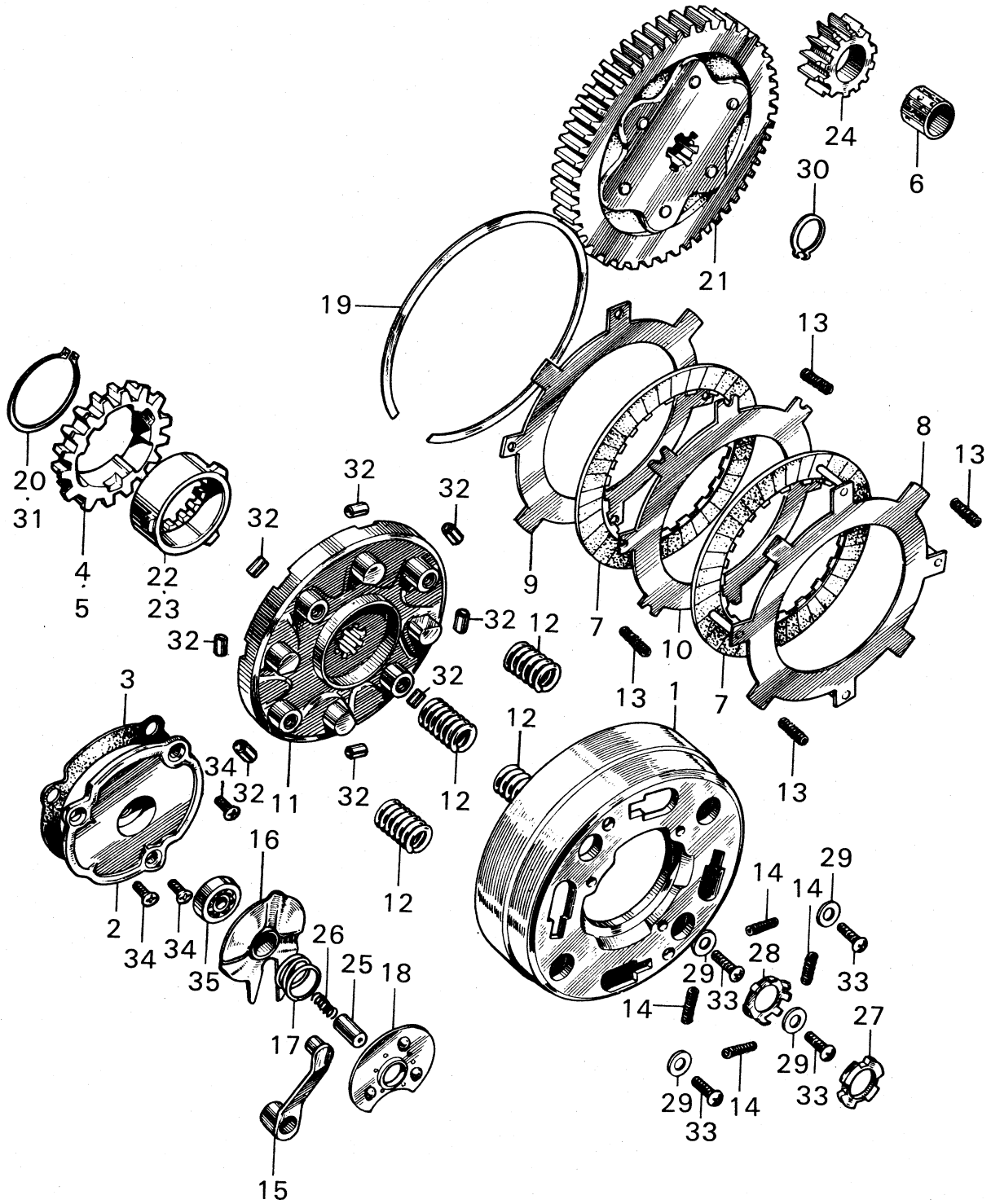
E-6 Clutch



E-6 Clutch

Ref. No.	Part No.	Description	Reqd. No.		Serial No.	Area Code
			Z50A	Z50A K2		
1	22101-040-010	OUTER, CLUTCH 22101-040-030 IN SET WITH 93600-05010-0A (3 PCS.)	1		108295	A
	22101-040-030	OUTER, CLUTCH	1 1	1	108296	A D,E A,B,F,G,S,U
2	22111-040-000	COVER, CLUTCH OUTER	1	1		
3	22119-040-000	GASKET, CLUTCH OUTER COVER	1	1		
4	22120-040-010	CENTER, CLUTCH (17T)	1		103192	A
5	22120-040-020	CENTER, CLUTCH (17T)	1 1		103193	217925 A 217925 D,E
	22120-040-030	CENTER, CLUTCH (17T)	1 1		217926	
6	22131-035-020	GUIDE, CLUTCH CENTER	1	1		
7	22201-040-000	DISK, CLUTCH FRICTION	2	2		
8	22310-041-010	PLATE A, CLUTCH	1	1		
9	22321-041-000	PLATE B, CLUTCH	1	1		
10	22331-041-000	PLATE C, CLUTCH	1	1		
11	22351-040-060	PLATE, DRIVE 22351-040-070 IN SET WITH 93500-05008-0A (4 PCS.)	1		108295	A
	22351-040-070	PLATE, DRIVE	1 1		108296	217925 A 217925 D,E
	22351-040-080	PLATE, DRIVE	1 1		217926	
12	22401-040-010	SPRING, CLUTCH	4	4		
13	22411-041-000	SPRING, CLUTCH FREE	4	4		
14	22421-040-000	SPRING, CLUTCH DAMPER	4	4		
15	22811-040-020	LEVER, CLUTCH	1	1		
16	22820-046-000	PLATE, CLUTCH CAM	1	1		A,B,D,E,F,G,S
	22820-918-000	PLATE COMP., CLUTCH CAM	1			U
17	22825-046-000	SPRING, CAM PLATE SIDE	1	1		
18	22860-041-000	RETAINER, CLUTCH BALL	1	1		
19	22901-001-000	SET RING, 101.5MM	1	1		
20	22901-040-000	SET RING, 45MM	1		103192	A
21	23110-036-000	GEAR, PRIMARY DRIVEN (67T) 23110-036-010	1	1		
	23110-036-010	GEAR, PRIMARY DRIVEN (67T) 23110-087-000	1			
	23110-087-000	GEAR, PRIMARY DRIVEN (67T) 23110-098-740	1		431487	
	23110-098-740	GEAR, PRIMARY DRIVEN (67T)	1		431488	
22	23112-041-010	OUTER, DRIVE GEAR (18T)	1		103192	A
23	23112-041-030	OUTER, DRIVE GEAR (18T)	1 1		103193	217925 A 217925 D,E
	23112-041-040	OUTER, DRIVE GEAR (18T)	1 1		217926	

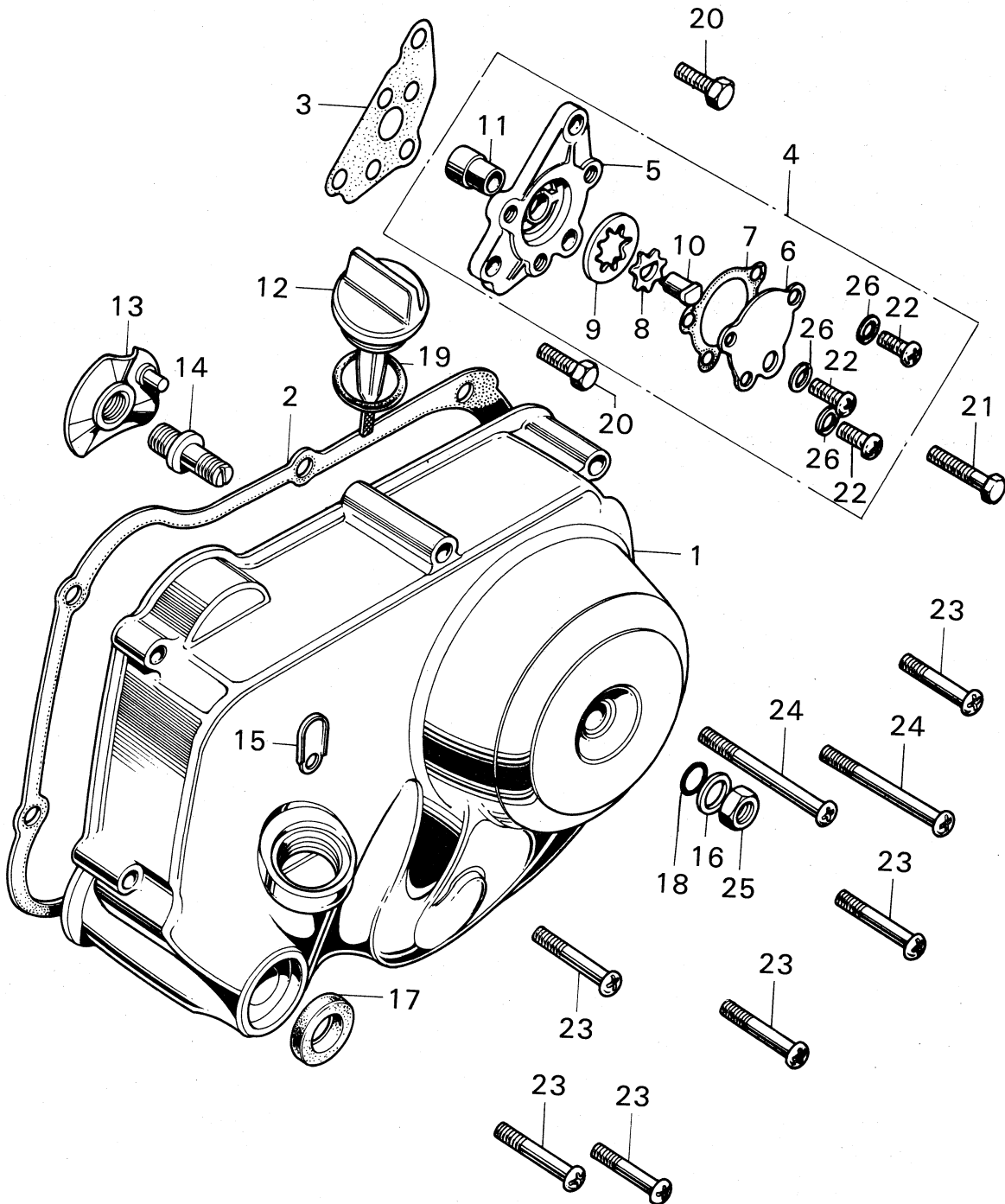
E-6 Clutch



E-6 Clutch

Ref. No.	Part No.	Description	Reqd. No.		Serial No.	Area Code
			Z50A	Z50A K2		
24	23120-036-010	GEAR, PRIMARY DRIVE (18T)	1		217925	
	23120-041-000	GEAR, PRIMARY DRIVE (18T)	1	1	217926	
25	25551-040-007	THROUGH, OIL	1	1		A,B,D,E,F,G,S
	25551-918-000	THROUGH, OIL		1		U
26	25555-065-000	SPRING, OIL THROUGH	1	1		
27	90231-041-000	NUT, LOCK, 14MM	1	1		
28	90431-001-000	WASHER, LOCK, 14MM	1	1		
29	90483-040-000	WASHER, STOPPER, 16MM	4	4		
30	90601-001-000	CIR CLIP, 17MM	1	1		
31	90602-041-000	CIR CLIP, 45MM	1	1	103193	217925 A 217925 D,E
32	91102-041-000	ROLLER, 8X10	8	8		
33	93500-05008	SCREW, PAN, 5X8	4			108295 A
	93500-05008-0A	SCREW, PAN, 5X8	4	4	108296	A D,E A,B,F,G,S,U
34	93600-05010	SCREW, FLAT, 5X10	3			108295 A
	93600-05010-0A	SCREW, FLAT, 5X10	3	3	108296	A D,E A,B,F,G,S,U
35	96100-60000	BEARING, RADIAL BALL, 6000	1	1		

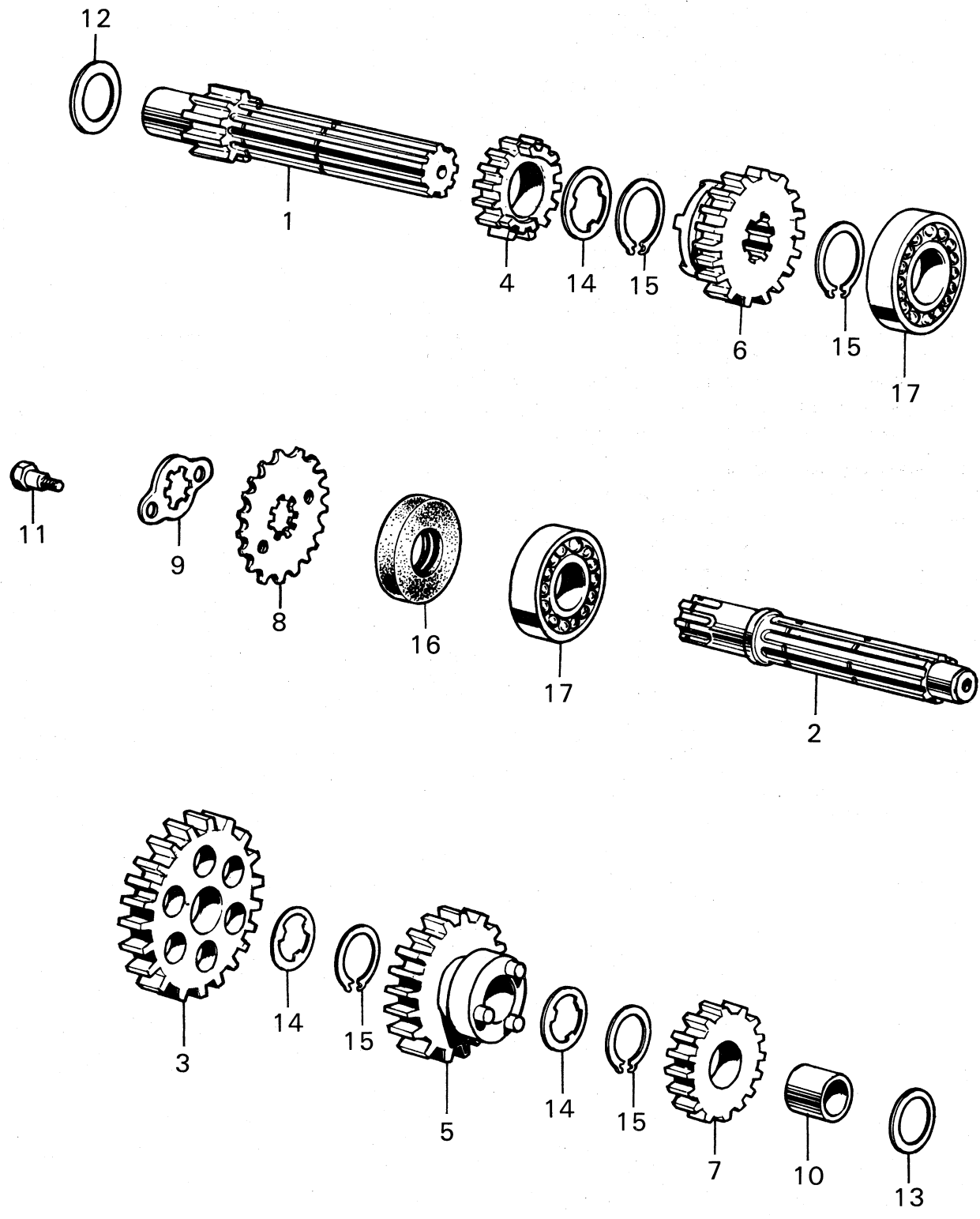
E-7 Oil Pump • Right Crankcase Cover



E-7 Oil Pump • Right Crankcase Cover

Ref. No.	Part No.	Description	Reqd. No.		Serial No.	Area Code
			Z50A	Z50A K2		
1	11330-045-010	COVER COMP., R. CRANKCASE	1	1		
2	11394-035-010	GASKET, R. CRANKCASE COVER	1	1		
3	15119-035-020	GASKET, OIL PUMP BODY	1	1		
4	15300-035-000	PUMP ASSY., OIL	1	1		
5	15311-035-000	BODY, OIL PUMP 15311-035-013 IN SET WITH 93500-05010-0A (3 PCS.)	1		108955	A
	15311-035-013	BODY, OIL PUMP	1 1 1		108956	A D,E A,B,F,G,S,U
6	15321-035-000	COVER, OIL PUMP	1	1		
7	15329-035-000	GASKET, OIL PUMP COVER	1	1		
8	15331-035-000	ROTOR, OIL PUMP INNER	1	1		
9	15332-035-000	ROTOR, OIL PUMP OUTER	1	1		
10	15382-035-000	SHAFT, OIL PUMP DRIVE	1	1		
11	15383-035-000	PIN, OIL PUMP KNOCK	1	1		
12	15650-051-690	GAUGE, OIL LEVEL	1	1		A,B,D,E,F,G,S
	15650-098-730	GAUGE, OIL LEVEL	1			U
13	22830-041-000	PLATE COMP., CLUTCH LIFTER	1	1		
14	22846-040-010	BOLT, CLUTCH ADJUSTING	1	1		
15	43458-045-670	GUIDE, RR. BRAKE CABLE	1			A
16	90485-040-000	WASHER, 8MM	1	1		
17	91202-216-000	OIL SEAL, 14X24X5	1	1		
18	91303-001-000	O-RING, 8MM	1	1		
19	91307-035-000	O-RING, 18X3	1	1		
20	92000-06016	BOLT, HEX., 6X16	2	2		
21	92000-06020	BOLT, HEX., 6X20	1	1		
22	93500-05010	SCREW, PAN, 5X10	3		108955	A
	93500-05010-0A	SCREW, PAN, 5X10	3 3 3		108956	A D,E A,B,F,G,S,U
23	93500-06038	SCREW, PAN, 6X38	6	6		
24	93500-06065	SCREW, PAN, 6X65	2	2		
25	94030-08000	NUT, HEX., 8MM	1	1		
26	94111-05000	WASHER, SPRING, 5MM	3	3		

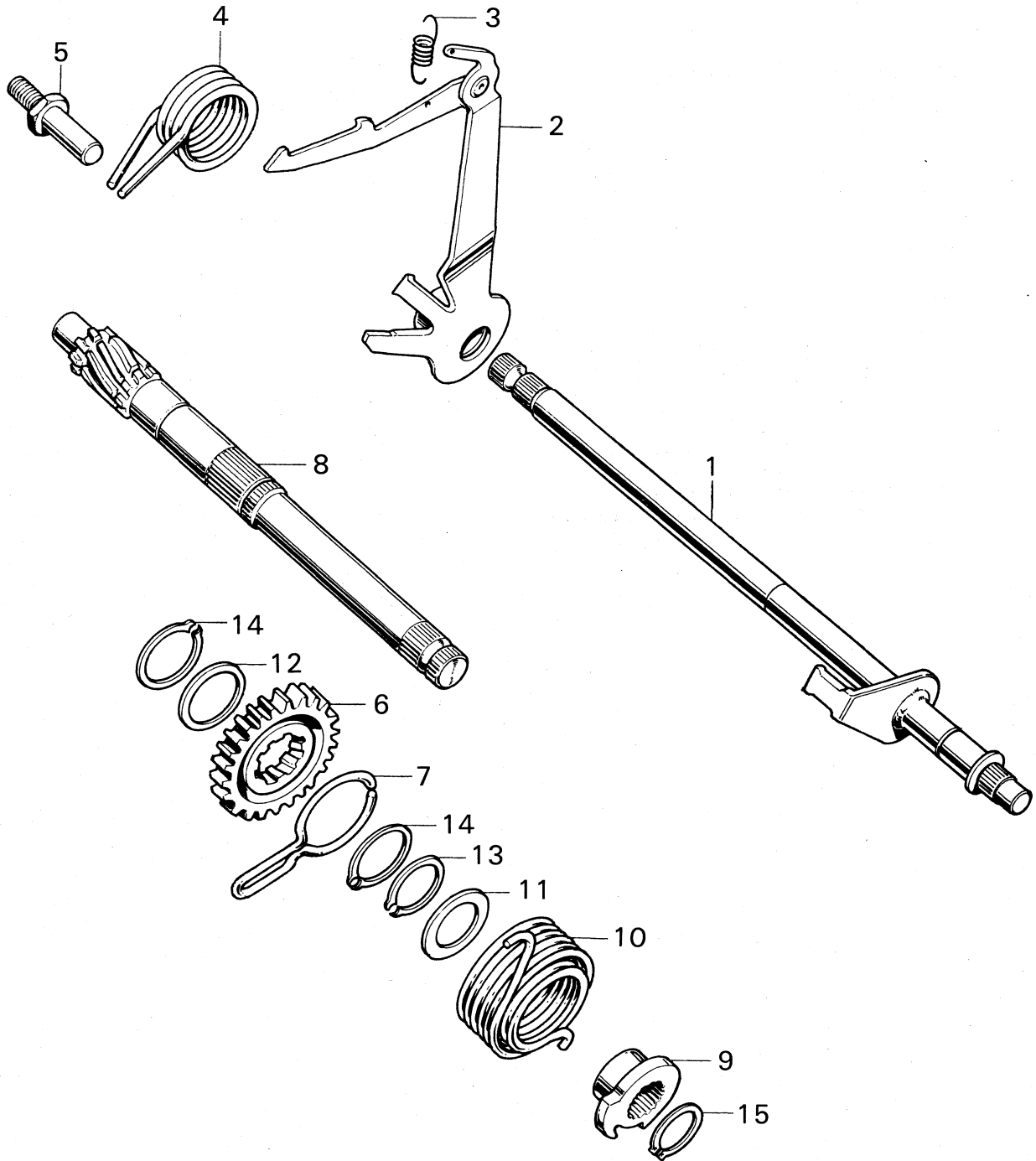
E-8 Transmission



E-8 Transmission

Ref. No.	Part No.	Description	Reqd. No.		Serial No.	Area Code
			Z50A	Z50A K2		
1	23211-041-020	MAINSHAFT, TRANSMISSION (11T)	1	1		
2	23221-041-040	COUNTERSHAFT, TRANSMISSION	1	1		
3	23421-076-000	GEAR, COUNTERSHAFT LOW (35T)	1	1		
4	23431-041-040	GEAR, MAINSHAFT SECOND (17T)	1	1		
5	23441-041-060	GEAR, COUNTERSHAFT SECOND (31T)	1	1		
6	23471-041-040	GEAR, MAINSHAFT TOP (21T)	1	1		
7	23481-041-020	GEAR, COUNTERSHAFT TOP (25T)	1	1		
8	23800-045-000	SPROCKET, DRIVE (13T)	1		106900	A
	23800-045-670	SPROCKET, DRIVE (12T)	1		106901	120087 A
	23800-045-671	SPROCKET, DRIVE (12T)	1		120088	A
			1	1		D,E
			1	1		A,B,F,G,S,U
9	23802-041-000	PLATE, DRIVE SPROCKET FIXING	1		106900	A
	23802-065-305	PLATE, DRIVE SPROCKET FIXING	1		106901	A
			1	1		D,E
			1	1		A,B,F,G,S,U
10	23911-041-010	COLLAR, GEAR	1	1		
11	90084-041-000	BOLT, DRIVE SPROCKET FIXING	2	2		
12	90451-001-000	WASHER, THRUST, 14MM	1	1		
13	90451-035-000	WASHER, THRUST, 13.5MM	1	1		
14	90461-001-000	WASHER, SPLINE, 17MM	3	3		
15	90601-001-000	CIR CLIP, 17MM	4	4		
16	91203-035-000	OIL SEAL, 17X29X5	1	1		
17	96100-62030	BEARING, RADIAL BALL, 6203	2	2		

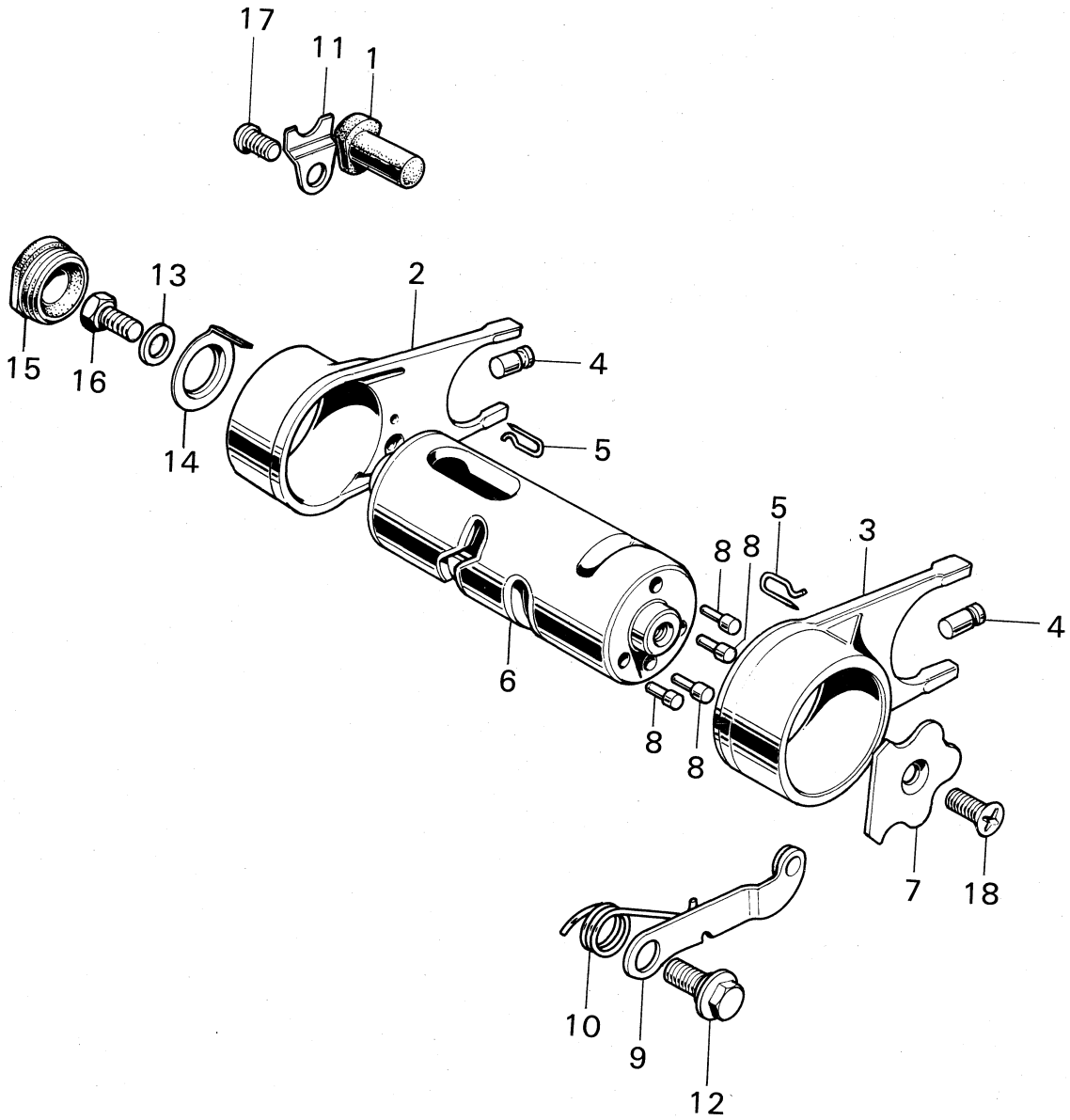
E-9 Gearshift Spindle



E-9 Gearshift Spindle

Ref. No.	Part No.	Description	Reqd. No. Z50A ^{Z50A} K2	Serial No.	Area Code
1	24610-040-020	SPINDLE COMP., GEARSHIFT	1 1		A,B,D,E,F,G,S
	24610-098-730	SPINDLE COMP., GEARSHIFT	1		U
2	24630-040-040	ARM, GEARSHIFT 24630-086-000	1 1		A,B,D,E,F,G,S
	24630-086-000	ARM COMP., GEARSHIFT	1		U
3	24641-041-000	SPRING, GEARSHIFT ARM	1 1		
4	24651-041-000	SPRING, GEARSHIFT RETURN	1 1		
5	24652-035-000	PIN, SHIFT RETURN SPRING	1 1		
6	28211-040-035	PINION, KICK STARTER (22T)	1 1		
7	28223-035-035	SPRING, KICK STARTER RATCHET	1 1		
8	28251-035-065	SPINDLE, KICK STARTER	1 1		
9	28262-035-020	RETAINER, KICK SPRING	1 1		
10	28281-035-010	SPRING, KICK STARTER	1 1		
11	90451-040-000	WASHER, THRUST, 17MM	1 1		
12	90482-035-025	WASHER, 20MM	1 1		
13	90601-001-000	CIR CLIP, 17MM	1 1		
14	90605-200-000	SET RING, 20MM	2 2		
15	94510-16000	CIR CLIP, EXTERNAL, 16	1 1		

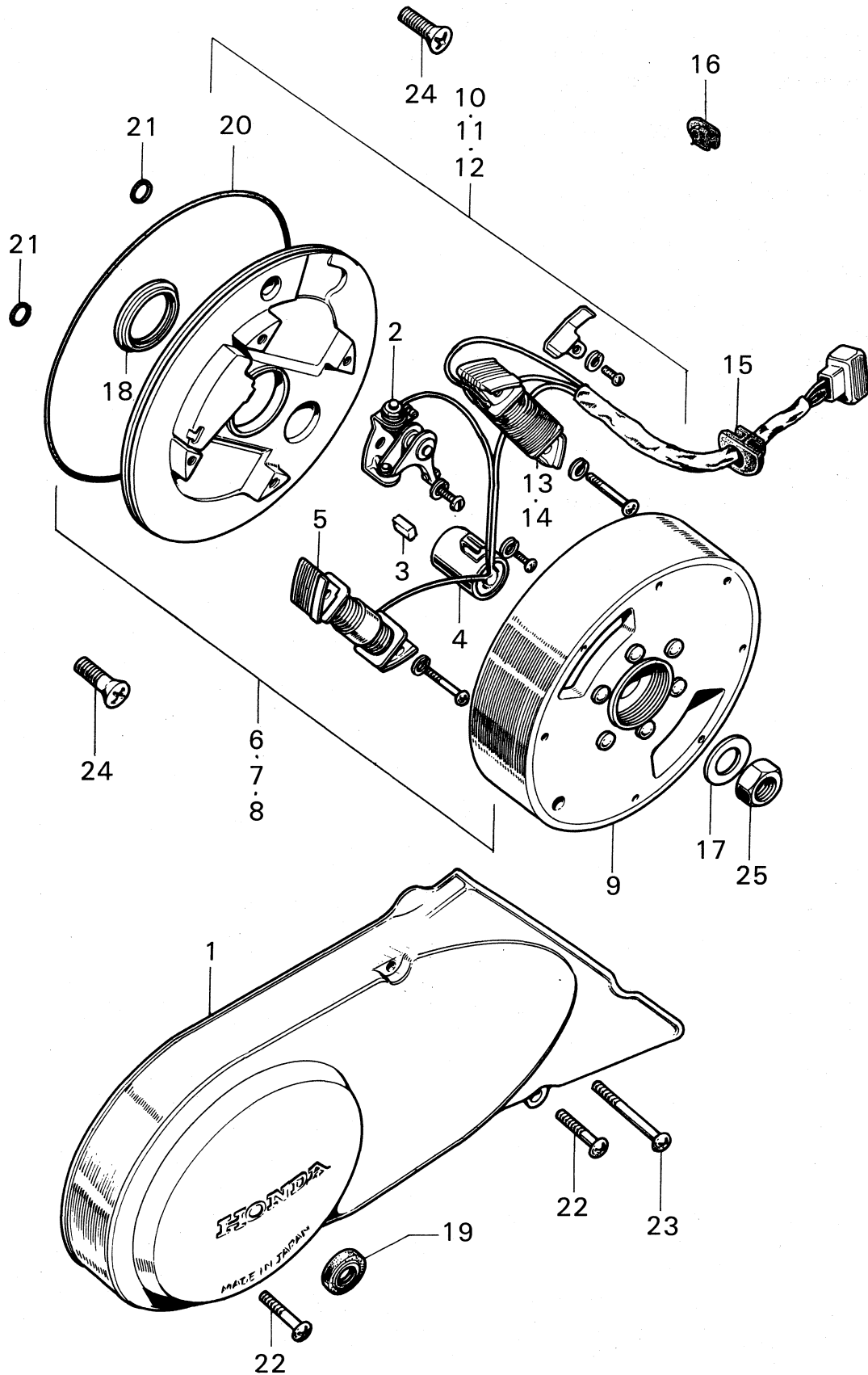
E-10 Gearshift Drum



E-10 Gearshift Drum

Ref. No.	Part No.	Description	Reqd. No.		Serial No.	Area Code
			Z50A	Z50A K2		
1	11926-020-000	PLUG, SEALING, 10MM	1		103922 A	
2	24211-041-000	FORK, L. GEARSHIFT	1	1		
3	24221-041-000	FORK, R. GEARSHIFT	1	1		
4	24261-028-010	PIN, GEARSHIFT FORK GUIDE	2	2		
5	24263-028-000	CLIP, GEARSHIFT FORK GUIDE PIN	2	2		
6	24301-045-670	DRUM, GEARSHIFT	1	1		
7	24411-041-020	PLATE, SHIFT DRUM STOPPER	1	1		
8	24421-041-000	PIN, GEARSHIFT DRUM	4	4		
9	24430-041-000	STOPPER, SHIFT DRUM	1	1		
10	24435-040-000	SPRING, SHIFT DRUM STOPPER	1	1		
11	35755-001-020	PLATE, CONTACT FIXING	1		103922 A	
12	90023-041-000	PIVOT, SHIFT DRUM STOPPER ARM	1	1		
13	90417-041-000	WASHER, SHIFT DRUM SIDE	1	1		
14	90484-045-010	WASHER, 13.2MM	1	1		
15	90801-035-000	PLUG, RUBBER, 19MM	1	1		
16	92000-06016	BOLT, HEX., 6X16	1	1		
17	93500-06012	SCREW, PAN, 6X12	1		103922 A	
18	93600-06016	SCREW, FLAT, 6X16	1	1		

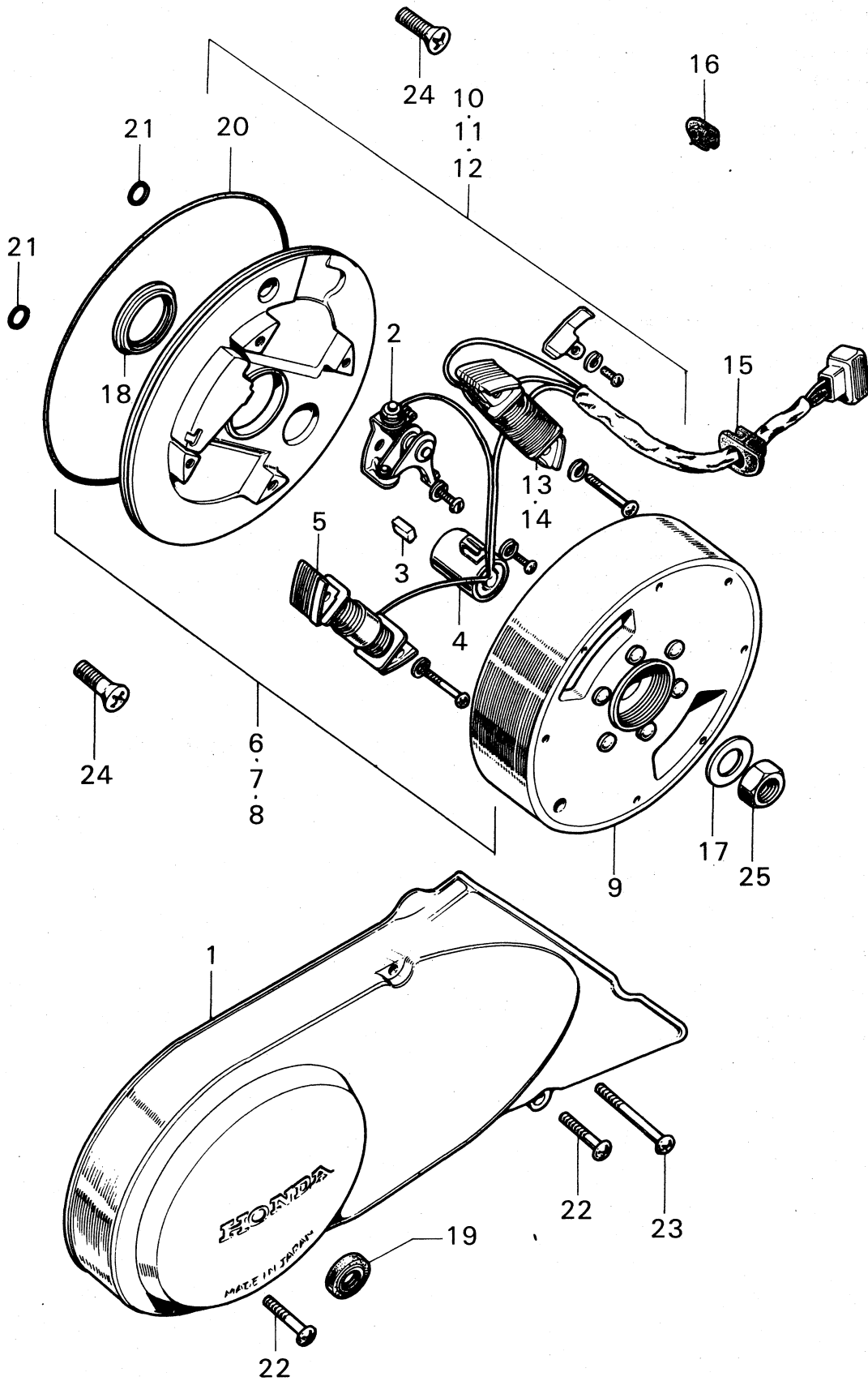
E-11 Left Crankcase Cover - A.C. Generator



E-11 Left Crankcase Cover • A.C. Generator

Ref. No.	Part No.	Description	Reqd. No.		Serial No.	Area Code
			Z50A	Z50A K2		
1	11341-045-020	COVER COMP., L. CRANKCASE 11341-045-030	1	1		A,B,D,E,F,G,S
	11341-045-030	COVER COMP., L. CRANKCASE		1		A,B,D,E,F,G,S
	11341-120-010	COVER COMP., L. CRANKCASE		1		U
2	30202-041-015	BREAKER, CONTACT (HITACHI)	1	1		
3	30205-041-005	FELT, OIL (HITACHI)	1	1		
4	30250-041-005	CONDENSER COMP. (HITACHI)	1	1		A,U
			1	1	365813	D,E D,E
	30250-035-005	CONDENSER COMP.	1	1	365814	D,E B,F,G,S
5	30540-041-005	COIL, PRIMARY (HITACHI)	1	1		D,E D,E
	30540-045-761	COIL, PRIMARY	1	1	365814	398417 D,E 398417 B,F,G,S
	30540-041-005	COIL, PRIMARY (HITACHI)	1	1	398418	B,D,E,F,G,S U
	30540-045-670	COIL, PRIMARY	1		120087	A
	30540-041-005	COIL, PRIMARY (HITACHI)	1		120088	A
	30540-045-672	COIL, PRIMARY	1			A
	31100-045-670	A.C. GENERATOR ASSY. 31100-045-671	1		120087	A
	31100-045-671	A.C. GENERATOR ASSY. 31100-045-672	1		120088	183602 A
	31100-045-672	A.C. GENERATOR ASSY.	1		183603	A
	31100-045-673	A.C. GENERATOR ASSY.	1			A
7	31100-045-650	A.C. GENERATOR ASSY. 31100-045-651	1	1	398417	U
	31100-045-651	A.C. GENERATOR ASSY.	1		398418	U
8	31100-045-603	A.C. GENERATOR ASSY. 31100-045-604	1			183602 D,E
	31100-045-604	A.C. GENERATOR ASSY.	1	1	183603	D,E D,E
	31100-045-761	A.C. GENERATOR ASSY. 31100-045-762	1	1	365814	398417 D,E 398417 B,F,G,S
	31100-045-762	A.C. GENERATOR ASSY.	1	1	398418	B,D,E,F,G,S
9	31121-045-005	FLYWHEEL COMP. (HITACHI) 31121-045-015	1			183602
	31121-045-015	FLYWHEEL COMP. (HITACHI)	1	1	183603	
10	31141-045-603	STATOR ASSY.	1	1		D,E D,E
	31141-045-761	STATOR ASSY.	1	1	365814	398417 D,E 398417 B,F,G,S
	31141-045-762	STATOR ASSY.	1	1	398418	B,D,E,F,G,S
11	31141-045-670	STATOR ASSY.	1		120087	A
	31141-045-671	STATOR ASSY.	1		120088	A
	31141-045-672	STATOR ASSY.	1			A

E-11 Left Crankcase Cover • A.C. Generator



E-11 Left Crankcase Cover • A.C. Generator

Ref. No.	Part No.	Description	Reqd. No.		Serial No.	Area Code
			Z50A	Z50A K2		
12	31141-045-721	STATOR ASSY. 31141-120-760	1		398417	U
	31141-120-760	STATOR ASSY.	1		398418	U
13	31631-045-005	COIL, LIGHT	1			D,E
				1	365813	D,E
				1		U
	31631-045-761	COIL, LIGHT	1		365814	D,E
				1		B,F,G,S
14	31631-045-671	COIL, LIGHT	1		120088	A
	31631-045-672	COIL, LIGHT	1			A
15	32971-045-670	GROMMET, CORD	1		120087	A
	32971-035-000	GROMMET, CORD	1		120088	A
				1		D,E
				1		A,B,F,G,S,U
16	32981-035-000	GROMMET, NEUTRAL SWITCH CORD	1	1		
17	90426-035-000	WASHER, MAGNETO FIXING	1	1		
18	91202-035-000	OIL SEAL, 18.9X30X5	1	1		
19	91203-001-000	OIL SEAL, 11.6X24X10	1	1		
20	91301-035-000	O-RING, 107X2	1	1		
21	91317-703-000	O-RING, 6X1.7	2	2		
22	93500-06020	SCREW, PAN, 6X20	2	2		
23	93500-06036	SCREW, PAN, 6X36	1	1		
24	93600-06016	SCREW, FLAT, 6X16	2	2		
25	94001-10000	NUT, HEX., 10MM	1	1		

E-12 Carburetor

Ref. No.	Part No.	Description	Reqd. No.		Serial No.	Area Code
			Z50A	Z50A K2		
1	16010-045-670	GASKET SET	1	1		A,B,D,E,S,U
2	16011-045-004	VALVE SET, FLOAT	1	1		A,B,D,E,S,U
3	16012-045-670	NEEDLE SET, JET	1	1		A,B,D,E,S,U
4	16013-045-004	FLOAT SET	1	1		A,B,D,E,S,U
5	16014-045-004	TOP SET	1	1		A,B,D,E,S,U
6	16015-045-670	CHAMBER SET, FLOAT	1	1		A,B,D,E,S,U
7	16016-045-014	SCREW SET A	1	1		A,B,D,E,S,U
8	16022-045-600	VALVE SET, THROTTLE	1	1		A,B,D,E,S,U
9	16100-045-670	CARBURETOR ASSY. 16100-045-671	1		255950	
	16100-045-671	CARBURETOR ASSY.	1	1	255951	A,B,D,E,S,U
10	16139-045-004	HOLDER, NEEDLE JET	1		108295	A
	16139-045-014	HOLDER, NEEDLE JET	1	1	108296	A D,E A,B,S,U
11	16194-045-004	CAP, RUBBER 16118-045-770	1		255950	
	16118-045-770	CAP, RUBBER	1	1	255951	A,B,D,E,S,U
12	93500-03008	SCREW, PAN, 3X8	2		108295	A
	93500-03008-0A	SCREW, PAN, 3X8	2	2	108296	A D,E A,B,S,U
13	94111-03000	WASHER, SPRING, 3MM	2	2		A,B,D,E,S,U
14	95001-35200	TUBE, FUEL, 3.5X200	1		255950	
	95001-35200-40	TUBE, FUEL, 3.5X200	1	1	255951	A,B,D,E,S,U
15	95002-02070	CLIP B7, TUBE	1	1	255951	A,B,D,E,S,U
16	99124-05004	JET, MAIN, #50	1		108295	A
	99114-076-0500	JET, MAIN, #50	1	1	108295	A D,E A,B,S,U
17	99153-03804	JET, SLOW, #38	1	1		A,B,D,E,S,U

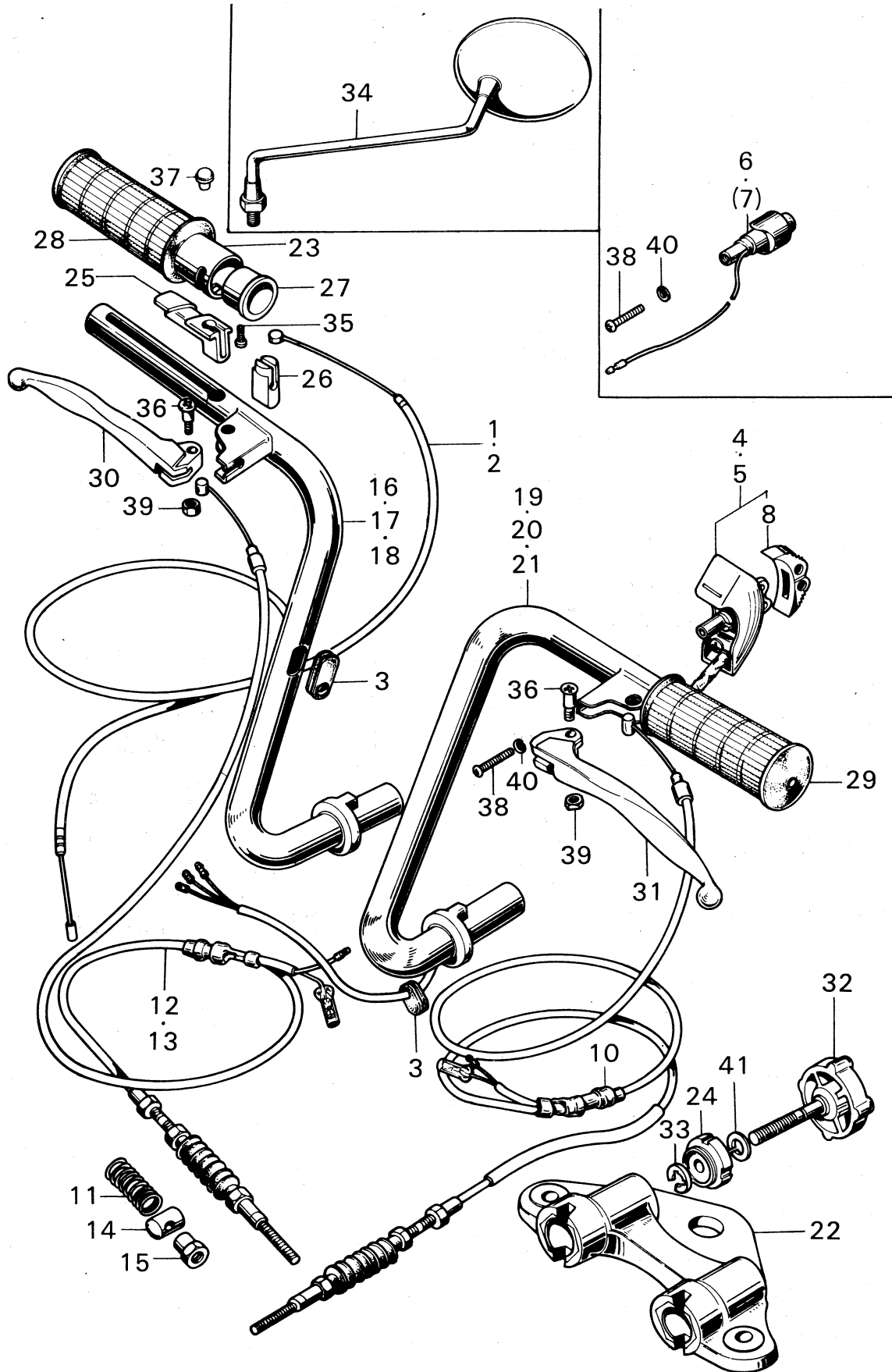
E-12-1 Carburetor (Used for F and G types)

Ref. No.	Part No.	Description	Reqd. No.		Serial No.	Area Code
			Z50A	Z50A K2		
1	16010-045-610	GASKET SET		1		F,G
2	16012-045-610	NEEDLE SET, JET		1		F,G
3	16013-064-004	FLOAT SET		1		F,G
4	16014-045-610	TOP SET		1		F,G
5	16015-045-610	CHAMBER SET, FLOAT		1		F,G
6	16016-045-610	SCREW SET A		1		F,G
7	16022-045-610	VALVE SET, THROTTLE		1		F,G
8	16100-045-610	CARBURETOR ASSY.		1		F,G
9	16118-045-770	CAP, RUBBER		1		F,G
10	93500-03005-0A	SCREW, PAN, 3X5		2		F,G
11	93500-04012-0A	SCREW, PAN, 4X12		2		F,G
12	94111-03000	WASHER, SPRING, 3MM		1		F,G
13	94111-04000	WASHER, SPRING, 4MM		2		F,G
14	95001-35210-40	TUBE, FUEL, 3.5X210		1		F,G
15	95002-02070	CLIP B7, TUBE		1		F,G
16	99201-063-0600	JET SET, MAIN, #60		1		F,G

F-1 Steering Handle Pipe • Dimmer Switch

Ref. No.	Part No.	Description	Reqd. No.		Serial No.	Area Code
			Z50A	Z50A K2		
1*	17910-045-670	CABLE COMP., THROTTLE 17910-045-671 WITH 53162-098-000	1		189957	
	17910-045-671	CABLE COMP., THROTTLE	1	1	189958	A,B,D,E,S,U
2	17910-045-690	CABLE COMP., THROTTLE	1	1		F,G
3	17911-023-000	GROMMET, THROTTLE CABLE	1 3 3	3 3 2	120088	120087 A A D,E A,U B,F,G,S
4	35250-045-671	SWITCH ASSY., DIMMER	1	1	120088	A A
5	35250-045-730	SWITCH ASSY., DIMMER	1	1		B,F,G,S
6	35300-045-700	SWITCH ASSY., HORN BUTTON 35300-098-671	1	1		E
	35300-098-671	SWITCH ASSY., HORN	1	1		B,D,E,F,G,S
7	35300-098-000	SWITCH ASSY., HORN WINKER	1	1		U
8	35316-259-300	KNOB, WINKER SWITCH	1	1	120088	A A,B,F,G,S
10	43450-045-670	CABLE COMP., RR. BRAKE	1	1		120087 A
	43450-045-672	CABLE COMP., RR. BRAKE 43450-045-673	1 1	1	120088	A D,E
	43450-045-673	CABLE COMP., RR. BRAKE	1	1	336884	336883 B,D,E,S,U
					336884	B,D,E,F,G,S,U
11	45437-001-000	SPRING, FR. BRAKE ARM	2 2	1 2		A B,D,E,F,G,S,U
12	45450-045-670	CABLE COMP., FR. BRAKE	1	1		120087 A
	45450-045-671	CABLE COMP., FR. BRAKE 45450-045-672	1 1	1	120088	336883 A A
	45450-045-672	CABLE COMP., FR. BRAKE	1	1	336884	A
13	45450-045-700	CABLE COMP., FR. BRAKE 45450-045-701	1 1	1		336883 D,E B,D,E,S
	45450-045-701	CABLE COMP., FR. BRAKE	1 1	1	336884	D,E,S,B F,G,U
14	45461-001-000	JOINT, FR. BRAKE ARM 95015-31000	2 2	1 2		382794 A 382794 B,D,E,F,G,S,U
	95015-31000	JOINT A, BRAKE ARM	1 2	1 2	382795 382795	A B,D,E,F,G,S,U
15	45462-028-000	NUT, FR. BRAKE ADJUSTING	2 2	1 2		382794 A 382794 B,D,E,F,G,S,U
	95015-41000	NUT A, BRAKE ROD ADJUST	1 2	1 2	382795 382795	A B,D,E,F,G,S,U
16	53110-045-670	PIPE, R. STEERING HANDLE	1	1		101125 A
	53110-045-671	PIPE, R. STEERING HANDLE	1 1	1	101126	A A

F-1 Steering Handle Pipe • Dimmer Switch



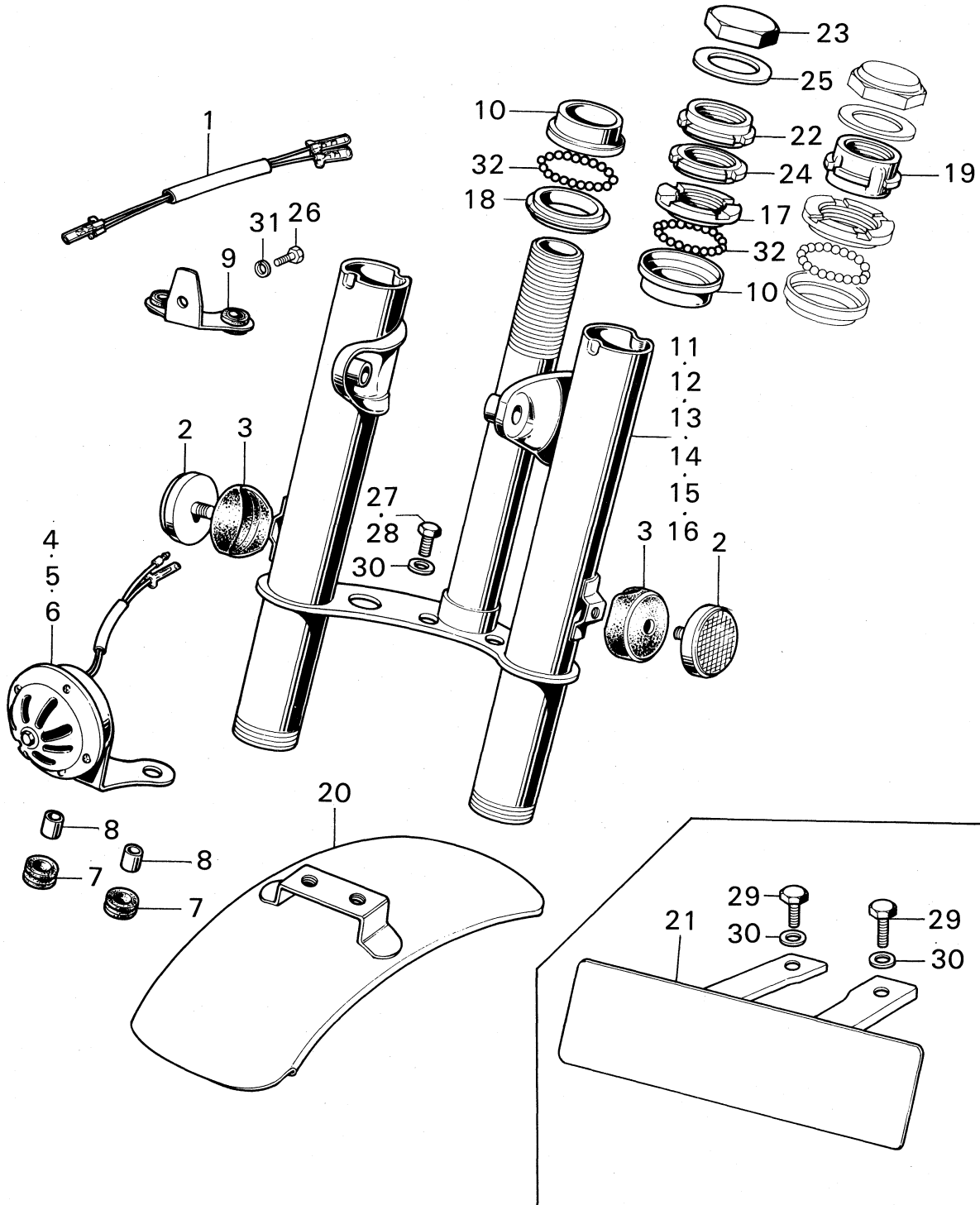
F-1 Steering Handle Pipe • Dimmer Switch

Ref. No.	Part No.	Description	Reqd. No.		Serial No.	Area Code
			Z50A	Z50A K2		
17	53110-045-690	PIPE, R. STEERING HANDLE	1			U
18	53110-045-700	PIPE, R. STEERING HANDLE	1	1		B,D,E,F,G,S
19	53120-045-610	PIPE, L. STEERING HANDLE	1			F,G
20	53120-045-670	PIPE, L. STEERING HANDLE	1		101125	A
	53120-045-671	PIPE, L. STEERING HANDLE	1		101126	120087 A
	53120-045-672	PIPE, L. STEERING HANDLE	1	1	120088	A A,B,S
21	53120-045-700	PIPE, L. STEERING HANDLE	1	1		D,E,U
22	53131-045-670	HOLDER, STEERING HANDLE 53131-045-671	1	1	398417	
	53131-045-671	HOLDER, STEERING HANDLE 53131-098-670	1	1	398418	
	53131-098-670	HOLDER, STEERING HANDLE	1			
23	53141-044-000	PIPE, THROTTLE GRIP 53141-098-000	1			
	53141-098-000	PIPE, THROTTLE GRIP	1	1		
24	53143-045-000	NUT, HANDLE HOLDER	2	2		
25	53161-044-000	HINGE, THROTTLE CABLE	1	1		
26	53162-045-670	HOLDER, THROTTLE CABLE OUTER	1		189957	
	53162-098-000	HOLDER, THROTTLE CABLE OUTER	1	1	189958	
27	53163-044-000	STOPPER, THROTTLE GRIP	1	1		
28	53165-063-000XL	RUBBER, R. GRIP	1		120087	A
	53165-044-010	RUBBER, R. GLIP	1	1	120088	A D,E A,B,F,G,S,U
29	53166-063-000XL	RUBBER, L. GRIP	1		120087	A
	53166-044-010	RUBBER, L. GLIP	1	1	120088	A D,E A,B,F,G,S,U
30	53175-063-000XL	LEVER, R. STEERING HANDLE	1		120087	A
	53175-044-010	LEVER, R. HANDLE	1	1	120088	254498 A 254498 D,E
	53175-045-670	LEVER, R. STEERING HANDLE	1	1	254499	
31	53178-063-000XL	LEVER, L. STEERING HANDLE	1		120087	A
	53178-044-010	LEVER, L. HANDLE	1	1	120088	254498 A 254498 D,E
	53178-045-670	LEVER, L. STEERING HANDLE	1	1	254499	
32	53741-045-020	KNOB, HANDLE HOLDER 53741-045-030	2		105766	A
	53741-045-304	KNOB, HANDLE HOLDER 53741-045-030	2	2	105767	220300 A 220300 D,E
	53741-045-030	KNOB, HANDLE HOLDER	2	2	220301	
33	53746-045-010	RING, KNOB STOPPER	2	2		

F-1 Steering Handle Pipe • Dimmer Switch

Ref. No.	Part No.	Description	Reqd. No.		Serial No.	Area Code
			Z50A	Z50A K2		
34	88120-235-000	MIRROR, L. BACK		1		G
	88120-304-621	MIRROR, L. BACK		1		F
35	90101-063-000	SCREW, THROTTLE GRIP SET	1	1		
36	90114-063-000	BOLT, HANDLE LEVER PIVOT	2	2		
37	90811-045-000	CAP, SEAL		1	383325	U
38	93500-03012-0A	SCREW, PAN, 3X12		1	120088	A D,E B,F,G,S A,U
			1	1		
				2		
39	94001-05000-0S	NUT, HEX., 5MM		2		
				2		
40	94111-03000	WASHER, SPRING, 3MM		1	120088	A D,E B,F,G,S A,U
			1	1		
				2		
41	94111-08000	WASHER, SPRING, 8MM		2	105767	A D,E A,B,F,G,S,U
				2		

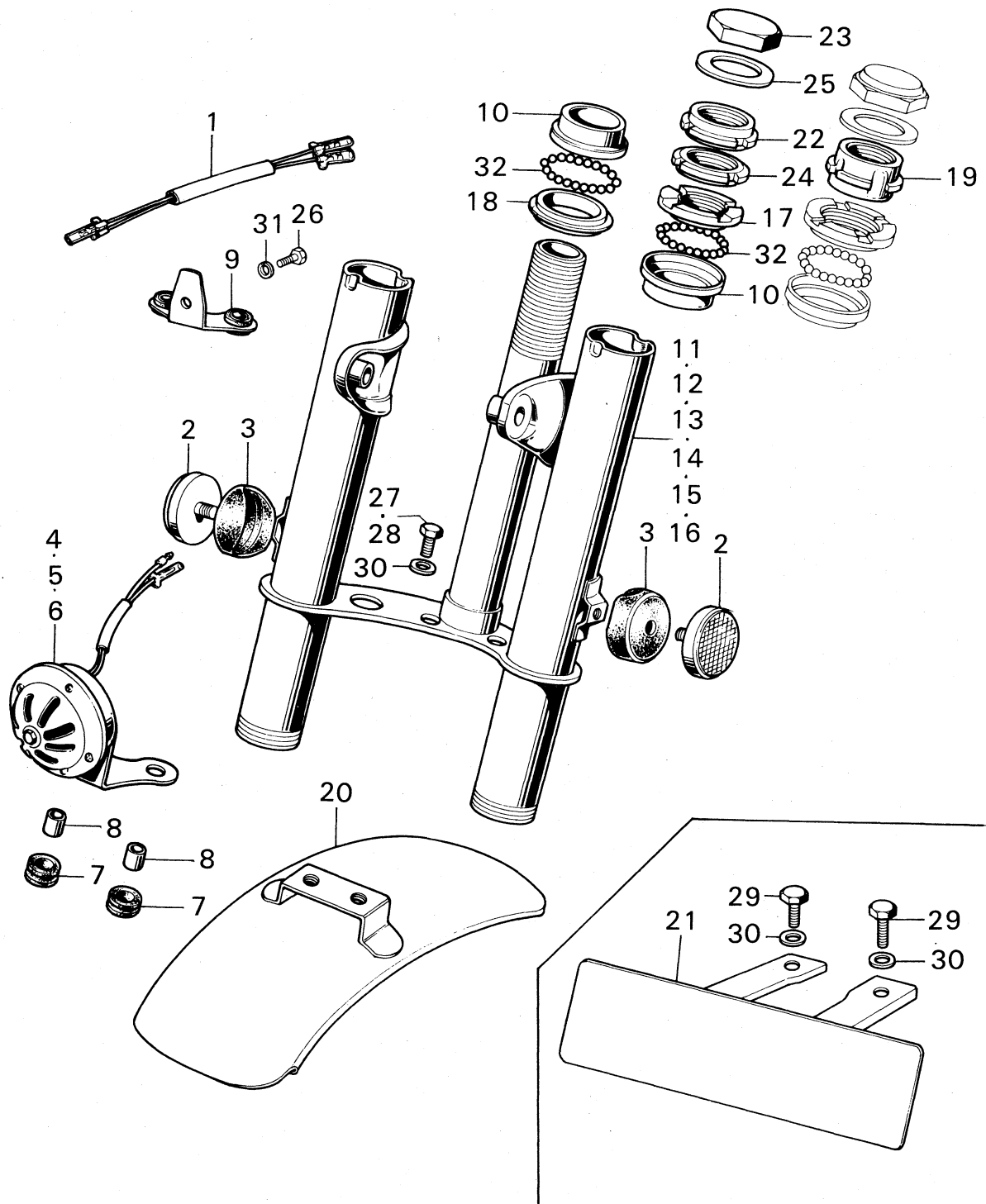
F-2 Front Fork • Front Fender



F-2 Front Fork • Front Fender

Ref. No.	Part No.	Description	Reqd. No.		Serial No.	Area Code
			Z50A	K2		
1	32103-045-620	HARNES, HORN	1			F
2	33741-045-671	REFLECTOR, REFLEX	2		120088	A
			2			A
3	33744-045-670	BASE, FR. REFLECTOR	2		120088	A
			2			A
4	38100-045-010	HORN ASSY., A.C.	1			D,E
5	38100-045-692	HORN ASSY.	1			U
6	38100-045-730	HORN ASSY., A.C.	1			B,G,S
7	38101-032-300	GROMMET, HORN	2			B,F,G,S
8	38102-032-300	BUSH, HORN GROMMET	2			B,F,G,S
9	38103-045-620	STAY, A.C. HORN	1			F
10	50301-044-020	RACE, STEERING TOP BALL	2			
	50301-045-670	RACE, STEERING TOP BALL	2			
11	51510-045-610BY	FORK COMP., FR.	1			G
	51510-045-610CM	FORK COMP., FR.	1			G
	51510-045-610CN	FORK COMP., FR.	1			G
12	51510-045-620BY	FORK COMP., FR.	1			F
	51510-045-620CM	FORK COMP., FR.	1			F
13	51510-045-670C	FORK COMP., FR.	1		120087	A
	51510-045-670XB	FORK COMP., FR.	1		120087	A
	51510-045-670Z	FORK COMP., FR.	1		120087	A
	51510-045-671AA	FORK COMP., FR.	1		120088	A
	51510-045-671AB	FORK COMP., FR.	1		120088	A
	51510-045-671XB	FORK COMP., FR.	1		120088	A
	51510-045-671Z	FORK COMP., FR.	1		120088	A
			1			A
	51510-045-671BY	FORK COMP., FR.	1			A
	51510-045-671CM	FORK COMP., FR.	1			A
	51510-045-671CN	FORK COMP., FR.	1			A
14	51510-045-690BY	FORK COMP., FR.	1			U
	51510-045-690CM	FORK COMP., FR.	1			U
	51510-045-690CN	FORK COMP., FR.	1			U
15	51510-045-700AA	FORK COMP., FR.	1			D,E
	51510-045-700AB	FORK COMP., FR.	1			D
	51510-045-700XB	FORK COMP., FR.	1			D,E
	51510-045-700Z	FORK COMP., FR.	1	1		D,E
	51510-045-700BY	FORK COMP., FR.	1			E
	51510-045-700CM	FORK COMP., FR.	1			D,E
	51510-045-700CN	FORK COMP., FR.	1			D

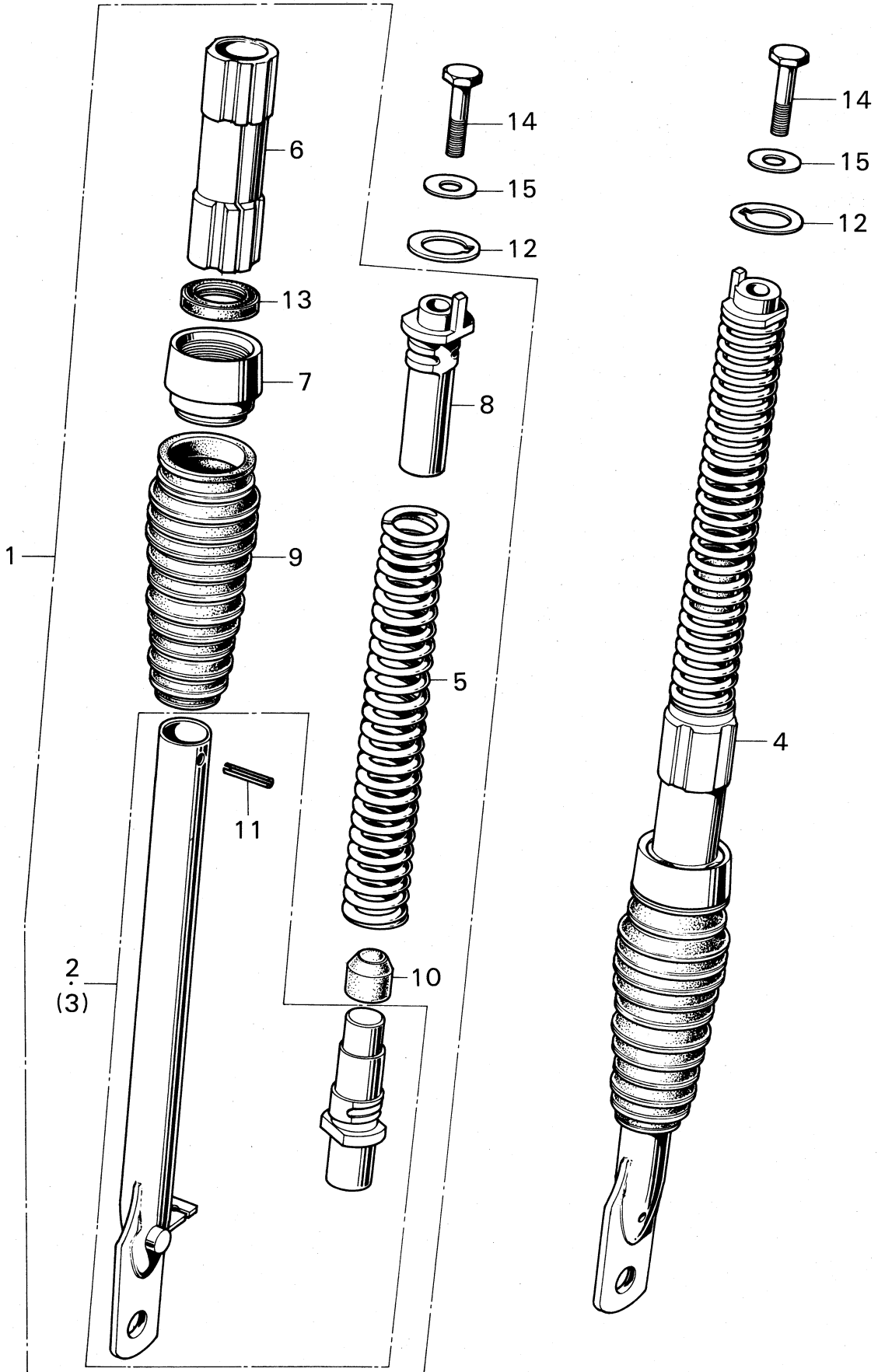
F-2 Front Fork • Front Fender



F-2 Front Fork • Front Fender

Ref. No.	Part No.	Description	Reqd. No.		Serial No.	Area Code
			Z50A	Z50A K2		
16	51510-045-730BY	FORK COMP., FR.		1		B,S
	51510-045-730CM	FORK COMP., FR. 51510-045-620CM		1		B,S
	51510-045-730CN	FORK COMP., FR. 51510-045-620CN		1		B,S
17	53211-045-010	RACE, STEERING TOP CORN	1	1		
18	53212-045-020	RACE, STEERING BOTTOM CORN	1	1		
19	53220-045-670	THREAD COMP., STEERING HEAD TOP	1		174448	
				1		
20	61100-045-670AU	FENDER, FR.	1		120087	A
	61100-045-670XW	FENDER, FR.	1	1	120088	A B,D,E,F,G
	61100-045-671XW	FENDER, FR.	1			A,S,U
21	84701-045-700B	BRACKET, NUMBER PLATE	1	1		E
22	90303-045-000	NUT A, STEERING STEM	1		174447	
23	90304-011-000	NUT, STEERING STEM	1	1		
24	90304-045-010	NUT B, STEERING STEM	1		174447	
25	90503-011-000	WASHER, STEERING STEM	1	1		
26	92000-05008-0A	BOLT, HEX., 5X8		1		F
27	92000-06012	BOLT, HEX., 6X12	2	2		A
28	92000-06020	BOLT, HEX., 6X20	2	2		B,D,F,G,S,U
29	92000-06022	BOLT, HEX., 6X22	2	2		E
30	94101-06000	WASHER, PLAIN, 6MM	2	2		
31	94111-05000	WASHER, SPRING, 5MM		1		F
32	96211-06000	BALL, STEEL, #6 (3/16)	40	40		

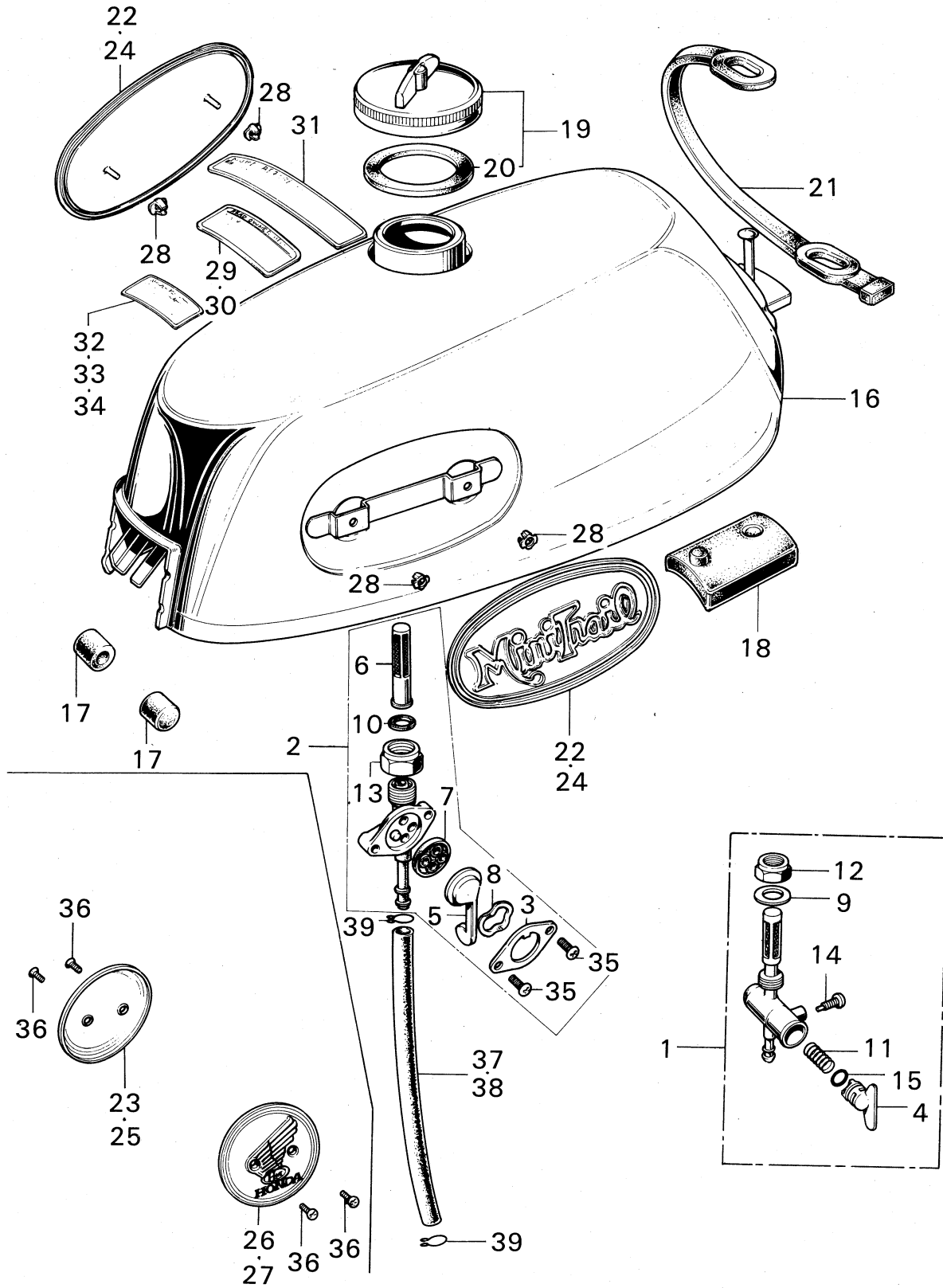
F-3 Front Cushion



F-3 Front Cushion

Ref. No.	Part No.	Description	Reqd. No. Z50A Z50A K2	Serial No.	Area Code
1	51400-045-670	CUSHION ASSY., R. FR.	1 1		
2	51450-045-670	PIPE, R. FR. CUSHION SLIDE	1 1		
		HALF			
3	51460-045-670	PIPE, L. FR. CUSHION SLIDE	1 1		
		HALF			
4	51500-045-670	CUSHION ASSY., L. FR.	1 1		
5	51501-045-670	SPRING, FR. CUSHION	2 2		
6	51502-045-670	GUIDE, FR. FORK PIPE	2 2		
7	51503-064-010	CAP, FORK PIPE GUIDE	2 2		
8	51504-064-020	HOLDER, UPPER	2 2		
9	51505-064-010B	BOOT, FR. FORK	2 2		
10	51506-064-020	RUBBER, FR. CUSHION STOPPER	2 2		
11	51526-064-000	PIN, SPRING	2 2		
12	51620-045-670	WASHER, SEAT	2	174447	
13	90755-064-013	OIL SEAL, 20.7X30X7	2 2		
14	92000-10040-0A	BOLT, HEX., 10X40	2	108295 A	
	93000-10040-0A	BOLT, HEX., 10X40	2	108296	A
			2		D,E
			2		A,B,F,G,S,U
15	94101-10000	WASHER, PLAIN, 10MM	2 2		

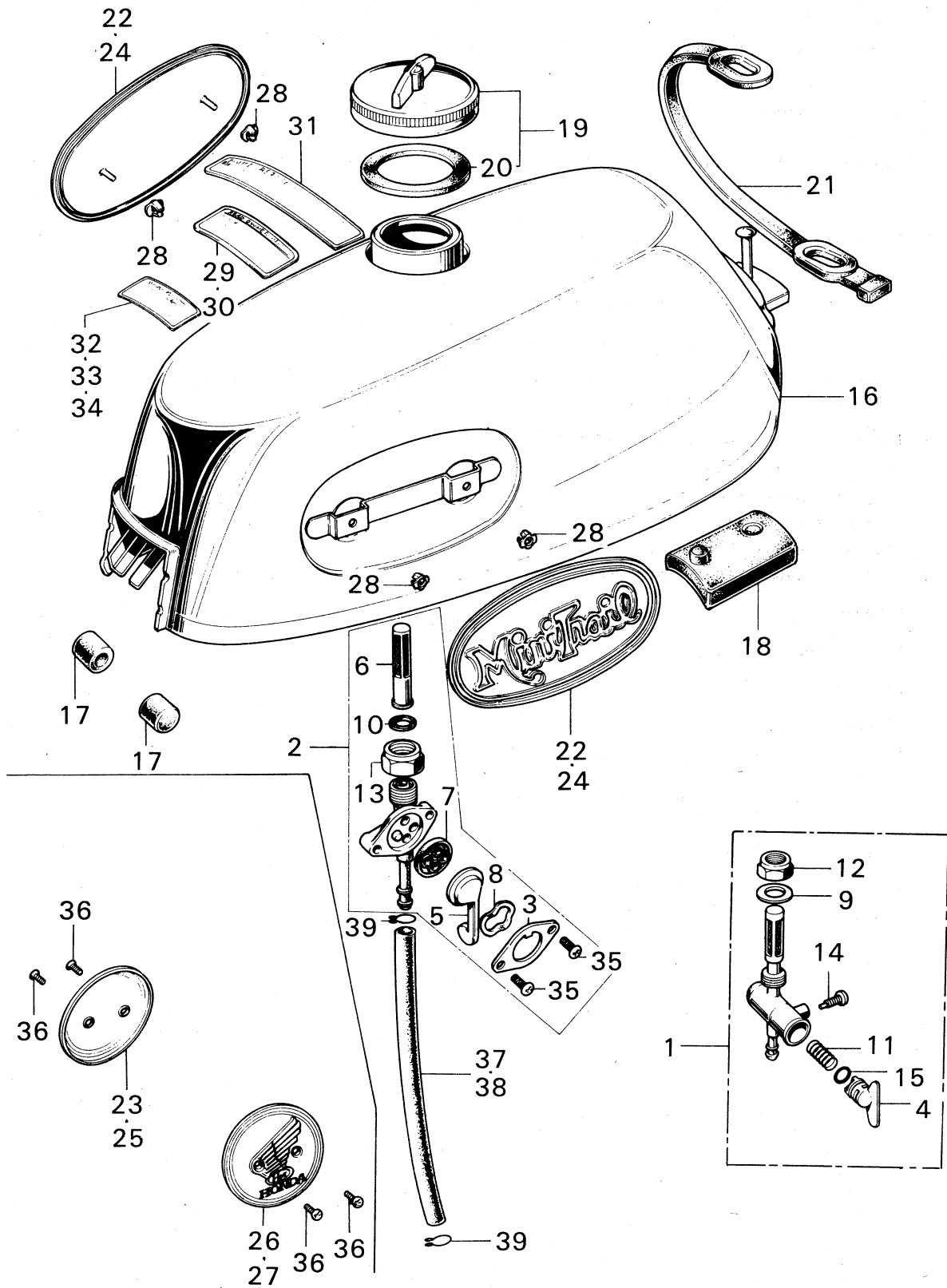
F-4 Fuel Tank • Fuel Cock



F-4 Fuel Tank • Fuel Cock

Ref. No.	Part No.	Description	Reqd. No.		Serial No.	Area Code
			Z50A	Z50A K2		
1	16950-044-004	COCK ASSY., FUEL	1		242186	
2	16950-045-005	COCK ASSY., FUEL	1	1	242187	
3	16952-081-005	COVER, FUEL COCK	1	1	242187	
4	16953-044-004	LEVER, COCK	1		242186	
5	16953-081-005	LEVER, FUEL COCK	1	1	242187	
6	16954-045-005	STRAINER, FUEL COCK	1	1	242187	
7	16955-268-020	GASKET, COCK VALVE	1	1	242187	
8	16956-028-004	SPRING, COCK LEVER (KEIHIN)	1	1	242187	
9	16958-044-004	PACKING, TURN BUKLE NUT	1		242186	
10	16958-081-015	GASKET, FUEL STRAINER CUP	1	1	242187	
11	16960-044-004	SPRING, VALVE	1		242186	
12	16962-044-004	NUT, TURN BUCKLE	1		242186	
13	16962-081-005	NUT, TURN BUCKLE	1	1	242187	
14	16963-044-004	SCREW, LEVER STOPPER	1		242186	
15	16997-044-004	O-RING	1		242186	
16	17500-045-030Z	TANK COMP., FUEL	1		120087	A
	17500-045-670BV	TANK COMP., FUEL	1		120087	A
	17500-045-670BW	TANK COMP., FUEL	1		120087	A
	17500-045-040Z	TANK COMP., FUEL	1	1	120088	A D,E
	17500-045-670BR	TANK COMP., FUEL	1	1	120088	A D,E
	17500-045-670BZ	TANK COMP., FUEL	1	1	120088	A D
	17500-045-670CJ	TANK COMP., FUEL	1	1	120088	A D,E
	17500-045-671CR	TANK COMP., FUEL	1			
	17500-045-671CU	TANK COMP., FUEL	1			
	17500-045-671DQ	TANK COMP., FUEL	1			A,E,F,G
	17500-045-671Z	TANK COMP., FUEL	1			
17	17611-045-020	PAD, FUEL TANK FR.	2		173239	
	17611-045-670	PAD, FUEL TANK FR.	2	2	173240	
18	17613-045-000	PAD, FUEL TANK RR.	1	1		
19	17620-045-010	CAP, FUEL FILLER	1			
	17620-045-670	CAP, FUEL FILLER	1			

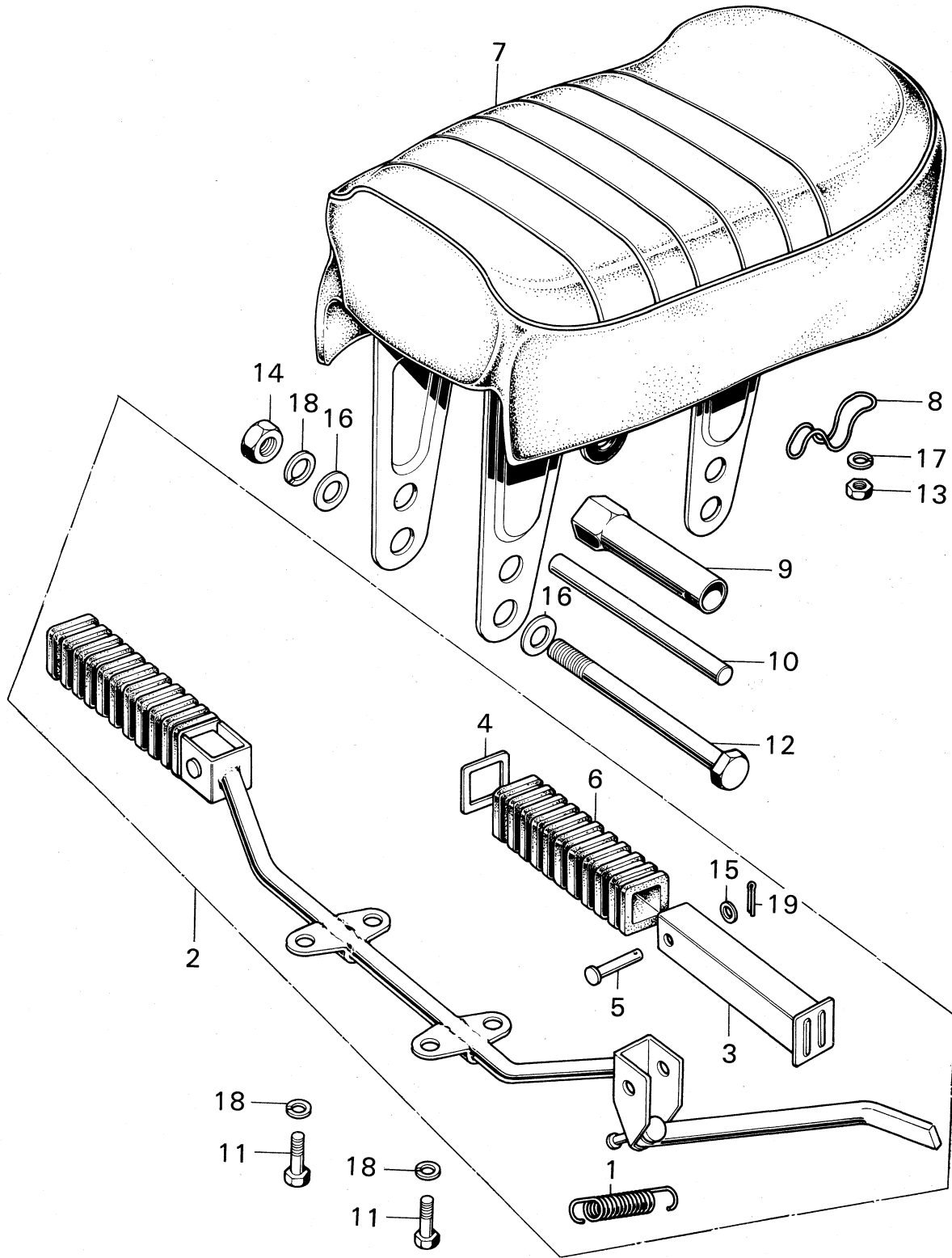
F-4 Fuel Tank • Fuel Cock



F-4 Fuel Tank • Fuel Cock

Ref. No.	Part No.	Description	Reqd. No.		Serial No.	Area Code
			Z50A	Z50A K2		
20	17631-045-000	GASKET, FUEL FILLER CAP	1			
	17631-001-000	GASKET, FUEL FILLER CAP		1		
21	17670-045-670	BAND, FUEL TANK SETTING	1	1		
22	87121-045-000	EMBLEM, R. FUEL TANK		2		A, B, D, E, S, U
23	87121-045-670	EMBLEM, R. FUEL TANK	1			A
24	87121-045-690	EMBLEM, R. FUEL TANK		2		F, G
25	87121-051-693	EMBLEM, R. FUEL TANK	1			D, E
26	87122-045-670	EMBLEM, L. FUEL TANK	1			A
27	87122-051-693	EMBLEM, L. FUEL TANK	1			D, E
28	87311-516-000	NUT, RR. EMBLEM ATTACHING		4		
29	87504-045-010	LABEL A, CAUTION 87504-045-020	1			A
30	87504-045-670	PLATE A, CAUTION	1		120087	A
	87504-045-671	LABEL A, CAUTION	1		120088	A
31	87505-045-010	PLATE B, CAUTION 87505-045-020	1			A
32	87560-323-611A	MARK, DRIVE CAUTION	1		376134	G
	87560-323-611B	MARK, DRIVE CAUTION	1		376134	G
33	87560-323-621A	MARK, DRIVE CAUTION	1			F
	87560-323-621B	MARK, DRIVE CAUTION	1			F
34	87560-323-670A	MARK, DRIVE CAUTION	1		376134	A, B, D, E, S, U
	87560-323-670B	MARK, DRIVE CAUTION	1		376134	A, B, D, E, S, U
35	93500-03006-0A	SCREW, PAN, 3X6	2		242187	
				2		
36	93700-03008-0B	SCREW, OVAL, 3X8	4			
37	95001-45100	TUBE, FUEL, 4.5X100 95001-45100-90	1			
	95001-45075-40	TUBE, FUEL, 4.5X75	1		336883	A, B, D, E, S
38	95001-45140-40	TUBE, FUEL, 4.5X140	1		336884	A, B, D, E, S, U
39	95002-45000	CLIP C8, TUBE	2			F, G
			2		336883	A, B, D, E, S
	95002-02080	CLIP B8, TUBE	2		336884	A, B, D, E, S
			2			F, G, U

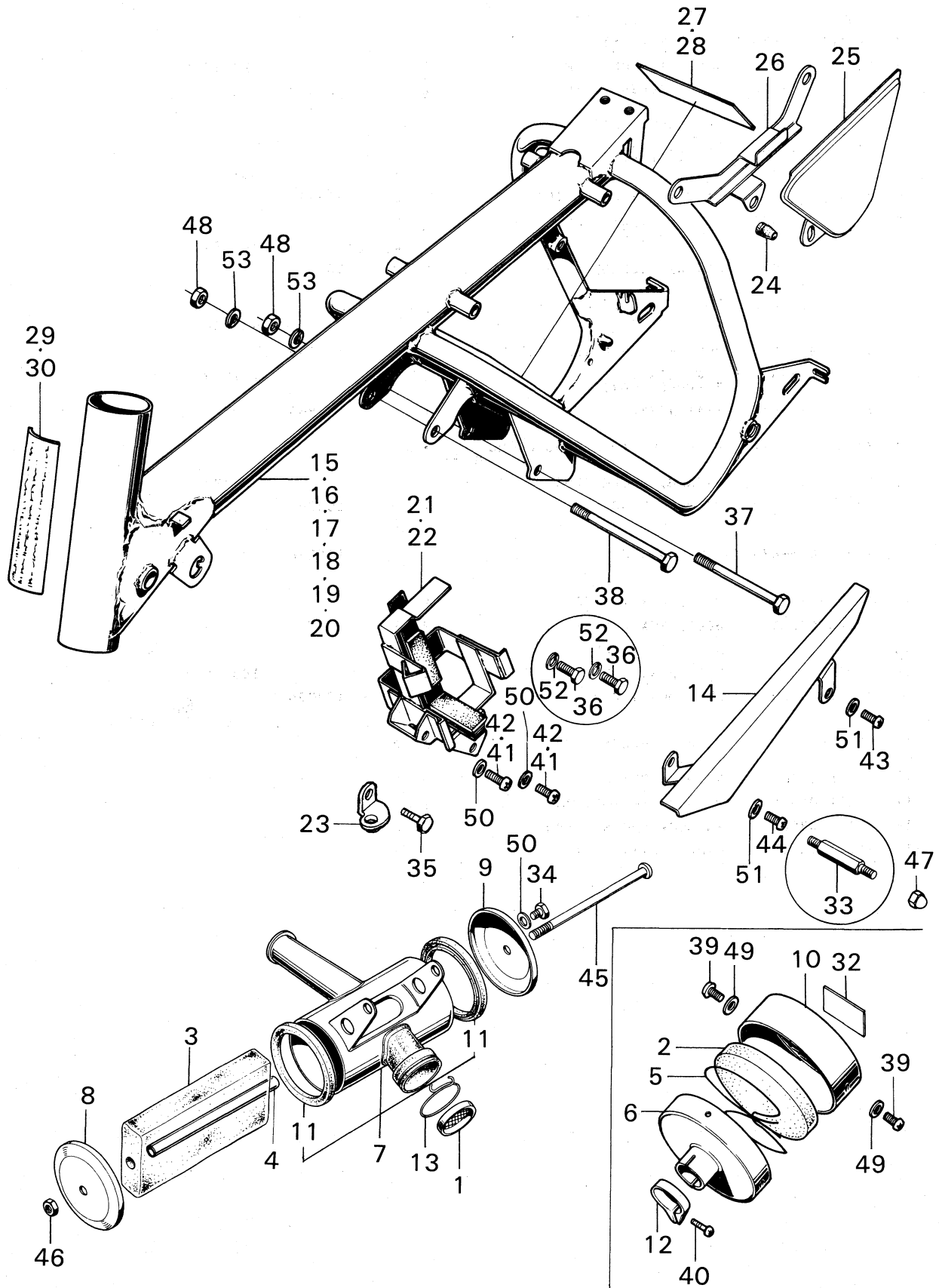
F-5 Seat • Step Bar • Plug Wrench



F-5 Seat · Step Bar · Plug Wrench

Ref. No.	Part No.	Description	Reqd. No.		Serial No.	Area Code
			Z50A	Z50A K2		
1	50542-045-010	SPRING, SIDE STAND	1	1		
2	50610-045-670	BAR COMP., STEP	1	1		
3	50701-024-010	ARM, PILLION STEP	2		120087	A
	50701-045-670	BAR, PILLION STEP	2		120088	A
			2			D,E
	50615-045-670	ARM COMP., STEP		2		
4	50712-024-000	WASHER, PILLION STEP 95015-91000	2	2		382794
	95015-91000	WASHER, PILLION STEP	2	2	382795	
5	50715-024-000	PIN, PILLION STEP 95015-81000	2	2		382794
	95015-81000	PIN A, PILLION STEP	2	2	382795	
6	50731-024-000	RUBBER, PILLION STEP 95011-31000	2	2		382794
	95011-31000	RUBBER A, PILLION STEP	2	2	382795	
7	77100-045-670A	SEAT ASSY. 77100-045-671A	1			157859
	77100-045-671A	SEAT ASSY.	1	1	157860	
8	77135-045-671	WIRE, SPARKING PLUG WRENCH HOLDER	2	2		
9	89216-045-000	WRENCH, SPERK PLUG	1			108295 A
	89216-045-670	WRENCH, PLUG	1	1	108296	A
			1	1		D,E
						A,B,F,G,S,U
10	89217-045-670	BAR, HANDLE	1	1	108296	
11	92000-08020-0A	BOLT, HEX., 8X20	4	4		
12	92020-08111	BOLT, HEX., 8X111	2	2		
13	94001-06000	NUT, HEX., 6MM	2	2		
14	94001-08000	NUT, HEX., 8MM	2			108295 A
	94030-08000	NUT, HEX., 8MM	2	2	108296	A
			2	2		D,E
						A,B,F,G,S,U
15	94101-06000	WASHER, PLAIN, 6MM	2	2		
16	94101-08000	WASHER, PLAIN, 8MM	4	4		
17	94111-06000	WASHER, SPRING, 6MM	2	2		
18	94111-08000	WASHER, SPRING, 8MM	6	6		
19	94201-16150	PIN, SPLIT, 1.6X15	2	2		

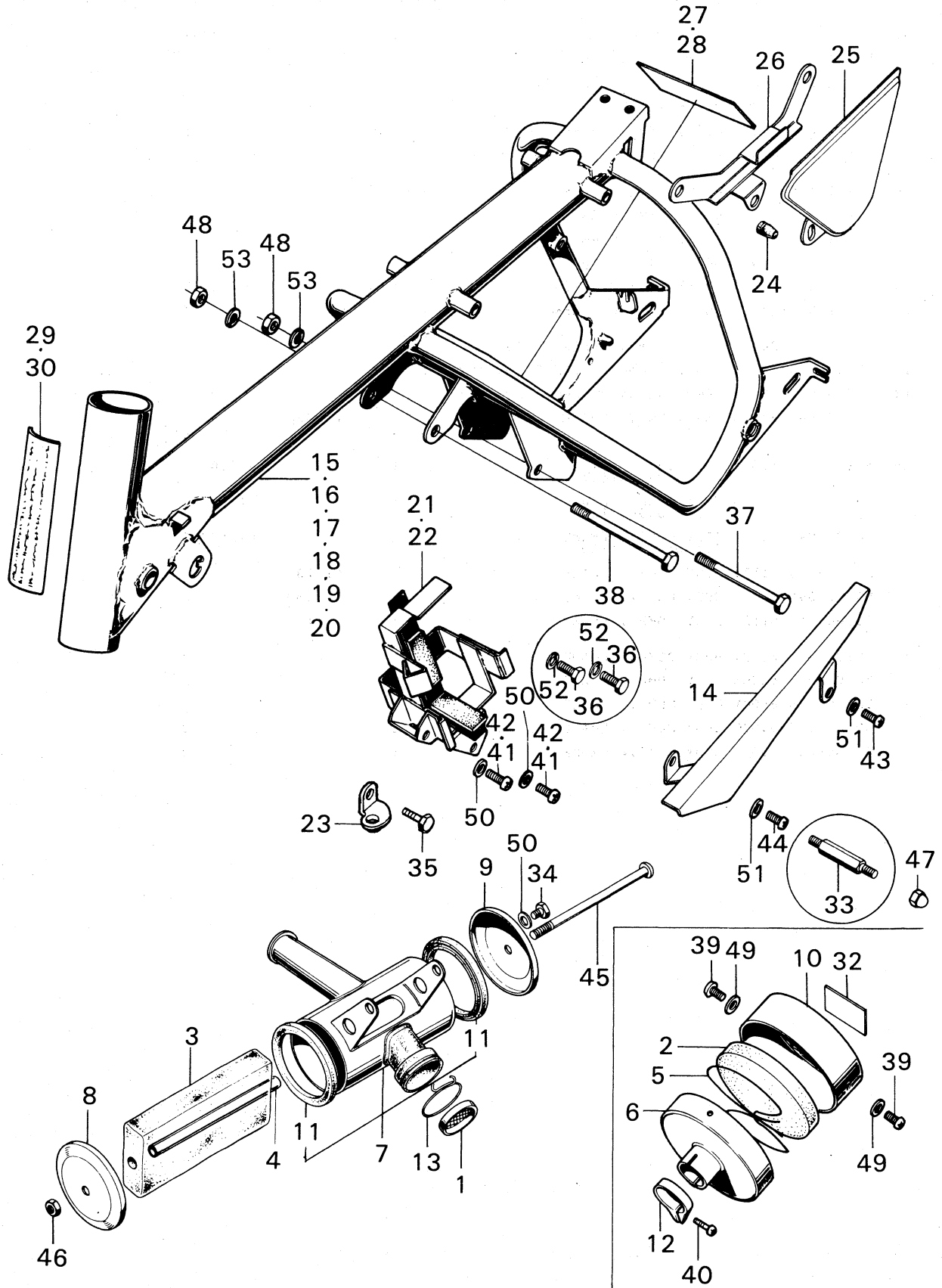
F-6 Frame Body • Air Cleaner



F-6 Frame Body • Air Cleaner

Ref. No.	Part No.	Description	Reqd. No.		Serial No.	Area Code
			Z50A	Z50A K2		
1	16202-045-720	TRAP, FRAME		1		G,F
2	17211-045-670	ELEMENT, AIR CLEANER	1	1		A,B,D,E,S
	17211-045-650	ELEMENT, AIR CLEANER		1		U
3	17211-098-670	ELEMENT, AIR CLEANER		1		F,G
4	17212-045-010	PIPE, AIR CLEANER INNER		1		F,G
5	17213-045-670	WIRE, CLEANER ELEMENT SUPPORT	1	1		A,B,D,E,S,U
6	17221-045-670	CASE, AIR CLEANER	1	1		A,B,D,E,S
	17221-045-650	CASE, AIR CLEANER		1		U
7	17221-045-720B	CASE, AIR CLEANER		1		F,G
8	17230-045-000	COVER, AIR CLEANER		1		F,G
9	17231-045-030	COVER, AIR CLEANER		1		F,G
10	17231-045-670	COVER, AIR CLEANER	1	1		A,B,D,E,S,U
11	17252-045-300	GASKET, AIR CLEANER CASE		2		F,G
12	17255-045-670	BAND, CLEANER CONNECTING TUBE	1	1		A,B,D,E,S,U
13	17255-045-690	BAND, CLEANER CONNECTING TUBE		1		F,G
14	40510-045-670XW	CASE, DRIVE CHAIN	1	1	120088	A D,E A,B,F,G,S,U
15	50100-045-610BY	BODY COMP., FRAME 50100-045-611BY		1		412182 G
	50100-045-610CM	BODY COMP., FRAME 50100-045-611CM		1		412182 G
	50100-045-610CN	BODY COMP., FRAME 50100-045-611CN		1		412182 G
	50100-045-611BY	BODY COMP., FRAME		1	412183	G
	50100-045-611CM	BODY COMP., FRAME		1	412183	G
	50100-045-611CN	BODY COMP., FRAME		1	412183	G
16	50100-045-622BY	BODY COMP., FRAME		1		F
	50100-045-622CM	BODY COMP., FRAME		1		F
17	50100-045-650BY	BODY COMP., FRAME		1		U
	50100-045-650CM	BODY COMP., FRAME		1		U
	50100-045-650CN	BODY COMP., FRAME		1		U

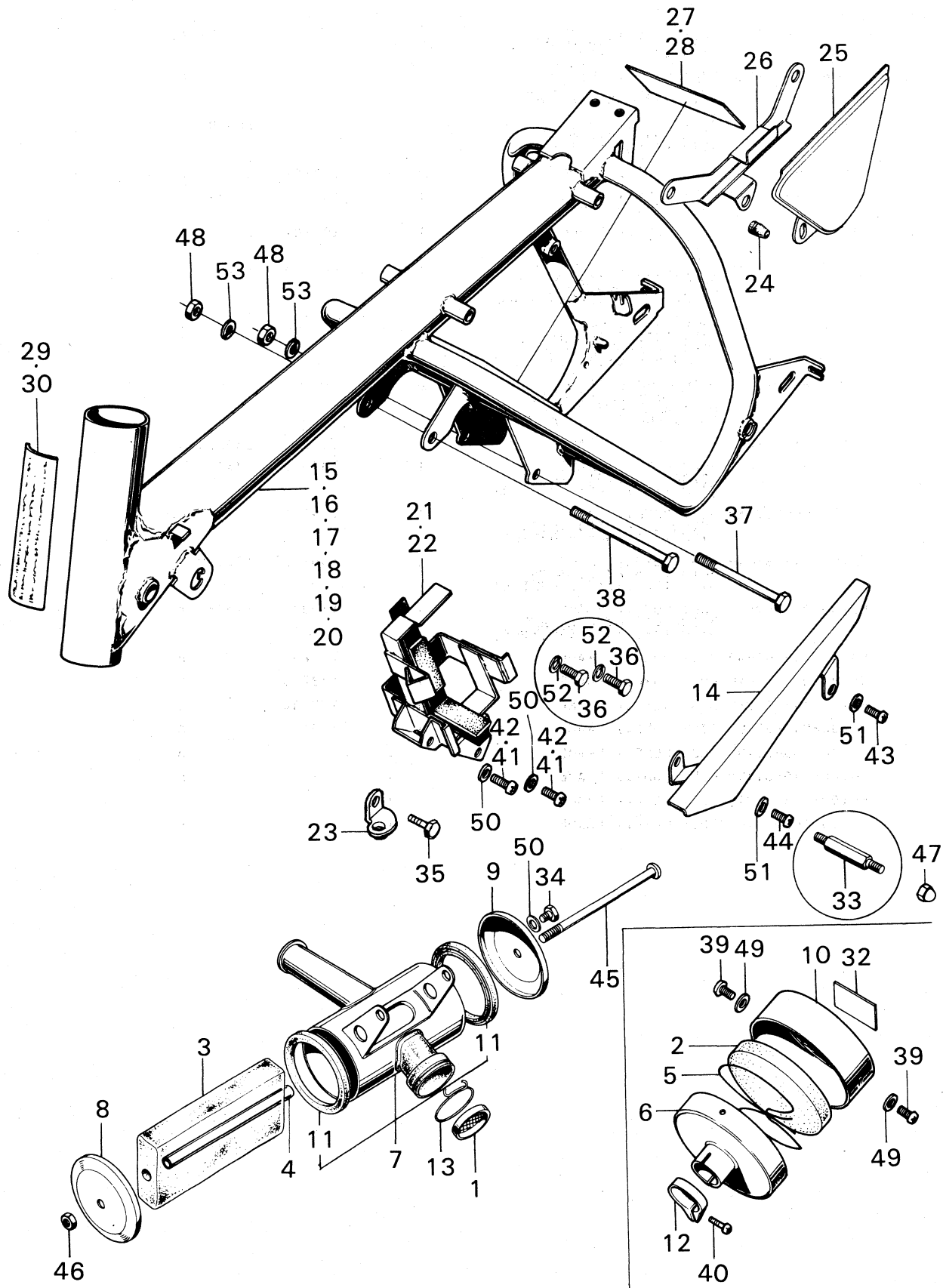
F-6 Frame Body • Air Cleaner



F-6 Frame Body • Air Cleaner

Ref. No.	Part No.	Description	Reqd. No.		Serial No.	Area Code
			Z50A	Z50A K2		
18	50100-045-671C	BODY COMP., FRAME 50100-045-672C IN SET WITH 1836C-045-671C	1		105306	A
	50100-045-671XB	BODY COMP., FRAME 50100-045-672XB IN SET WITH 1836C-045-671XB	1		105306	A
	50100-045-671Z	BODY COMP., FRAME 50100-045-672Z IN SET WITH 1836C-045-671Z	1		105306	A
	50100-045-672C	BODY COMP., FRAME	1		105307	120087 A
	50100-045-672XB	BODY COMP., FRAME 50100-045-673XB	1		105307	120087 A
	50100-045-672Z	BODY COMP., FRAME 50100-045-673Z	1		105307	120087 A
	50100-045-673AA	BODY COMP., FRAME 50100-045-674AA IN SET WITH 50380-045-671B AND 93500-05045-0A (2 PCS.)	1		120088	139330 A
	50100-045-673AB	BODY COMP., FRAME 50100-045-674AB IN SET WITH 50380-045-671B AND 93500-05045-0A (2 PCS.)	1		120088	139330 A
	50100-045-673XB	BODY COMP., FRAME 50100-045-674XB IN SET WITH 50380-045-671B AND 93500-05045-0A (2 PCS.)	1		120088	139330 A
	50100-045-673Z	BODY COMP., FRAME	1		120088	139330 A
	50100-045-674AA	BODY COMP., FRAME 50100-045-675AA IN SET WITH 17611-045-670 (2 PCS.)	1		139331	173239 A
	50100-045-674AB	BODY COMP., FRAME 50100-045-675AB IN SET WITH 17611-045-670 (2 PCS.)	1		139331	173239 A
	50100-045-674XB	BODY COMP., FRAME 50100-045-675XB IN SET WITH 17611-045-670 (2 PCS.)	1		139331	173239 A
	50100-045-674Z	BODY COMP., FRAME 50100-045-675Z IN SET WITH 17611-045-670 (2 PCS.)	1		139331	173239 A
	50100-045-675AA	BODY COMP., FRAME	1		173240	A
	50100-045-675AB	BODY COMP., FRAME	1		173240	A
	50100-045-675XB	BODY COMP., FRAME	1		173240	A
	50100-045-675Z	BODY COMP., FRAME	1		173240	A
	50100-045-677BY	BODY COMP., FRAME	1			A
	50100-045-677CM	BODY COMP., FRAME	1			A
	50100-045-677CN	BODY COMP., FRAME	1			A
	50100-045-677Z	BODY COMP., FRAME	1			A

F-6 Frame Body • Air Cleaner



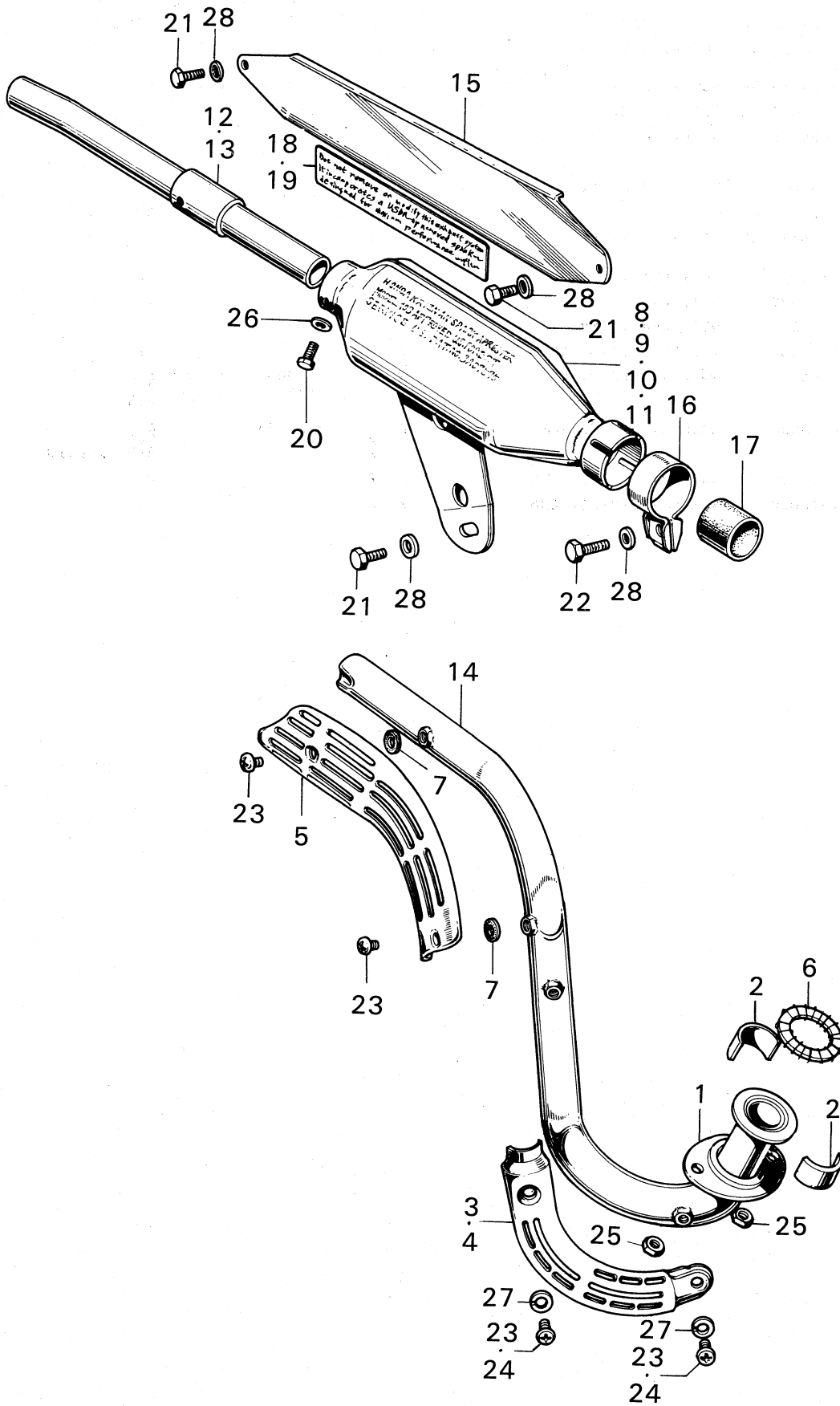
F-6 Frame Body • Air Cleaner

Ref. No.	Part No.	Description	Reqd. No.		Serial No.	Area Code
			Z50A	Z50A K2		
19	50100-045-700AA	BODY COMP., FRAME 50100-045-701AA IN SET WITH 17611-045-670 (2 PCS.)	1		173239	D,E
	50100-045-700XB	BODY COMP., FRAME 50100-045-701XB IN SET WITH 17611-045-670 (2 PCS.)	1		173239	D,E
	50100-045-700Z	BODY COMP., FRAME 50100-045-701Z IN SET WITH 17611-045-670 (2 PCS.)	1		173239	D,E
	50100-045-701AA	BODY COMP., FRAME	1		172340	D,E
	50100-045-701AB	BODY COMP., FRAME	1		172340	D,E
	50100-045-701BY	BODY COMP., FRAME	1			B,D,E
	50100-045-701CM	BODY COMP., FRAME	1			B,D,E
	50100-045-701CN	BODY COMP., FRAME	1			B,D,E
	50100-045-701XB	BODY COMP., FRAME	1		172340	D,E
	50100-045-701Z	BODY COMP., FRAME	1		172340	D,E
20	50100-045-740CM	BODY COMP., FRAME	1			S
	50100-045-740CN	BODY COMP., FRAME	1			S
21	50380-045-670B	TRAY, BATTERY 50380-045-671B IN SET WITH 93500-05045-0A (2 PCS.) AND 94001-05000-0S (2 PCS.)	1		120088	139330 A
	50380-045-671B	TRAY, BATTERY	1		139331	A
22	50380-045-720B	TRAY, BATTERY	1			U
23	50381-045-000	CLIP, BATTERY TUBE	1			U
24	80102-283-000	PLUG, CORN	1			U
25	83650-045-690BY	COVER, L. SIDE	1			U
	83650-045-690CM	COVER, L. SIDE	1			U
	83650-045-690CN	COVER, L. SIDE	1			U
26	83651-045-690B	HOLDER, L. SIDE COVER	1			U
27	87125-001-600	PLATE, MAKER	1			E B,F,G,S
28	87125-041-680	PLATE, NAME	1			D
29	87131-045-670	LABEL, SEFTY	1		120088	A
			1			A
30	87501-045-610	PLATE, REGISTERED NUMBER 87501-045-611	1		412182	G
	87501-045-611	PLATE, REGISTERED NUMBER	1		412183	G
32	87508-120-000	LABEL, AIR CLEANER CAUTION	1			U
33	90160-045-690	BOLT, SIDE COVER SETTING	1			U
34	92000-05008-0A	BOLT, HEX., 5X8	1			F,G
35	92000-06012	BOLT, HEX., 6X12	1			U
36	92000-06014	BOLT, HEX., 6X14	2			U
37	92000-08098	BOLT, HEX., 8X98	1	1		
38	92000-08109	BOLT, HEX., 8X109	1	1		

F-6 Frame Body • Air Cleaner

Ref. No.	Part No.	Description	Reqd. No.		Serial No.	Area Code
			Z50A	Z50A K2		
39	93500-04008-0A	SCREW, PAN, 4X8	2	2		A,B,D,E,S
40	93500-04016-0A	SCREW, PAN, 4X16	1	1		A,B,D,E,S,U
41	93500-05016-0A	SCREW, PAN, 5X16	4		120088 139330	A
42	93500-05045-0A	SCREW, PAN, 5X45	2		139331	A
43	93500-06008	SCREW, PAN, 6X8	1		120088	A
			1	1		D,E
				1		A,B,F,G,S,U
44	93500-06012	SCREW, PAN, 6X12	1		120088	A
			1	1		D,E
				1		A,B,F,G,S
45	93500-06130-02	SCREW, PAN, 6X130		1		F,G
46	94001-06000	NUT, HEX., 6MM		1		F,G
47	94021-06020	NUT, CAP, 6MM		1		U
48	94030-08000	NUT, HEX., 8MM	2	2		
49	94101-04000	WASHER, PLAIN, 4MM	2	2		A,B,D,E,S,U
50	94101-05000	WASHER, PLAIN, 5MM	4		120088 139330	A
			2		139331	A
				1		F,G
51	94101-06000	WASHER, PLAIN, 6MM	2		120088	A
			2	2		D,E
				2		A,B,F,G,S,U
52	94111-06000	WASHER, SPRING, 6MM		2		U
53	94111-08000	WASHER, SPRING, 8MM	2	2		

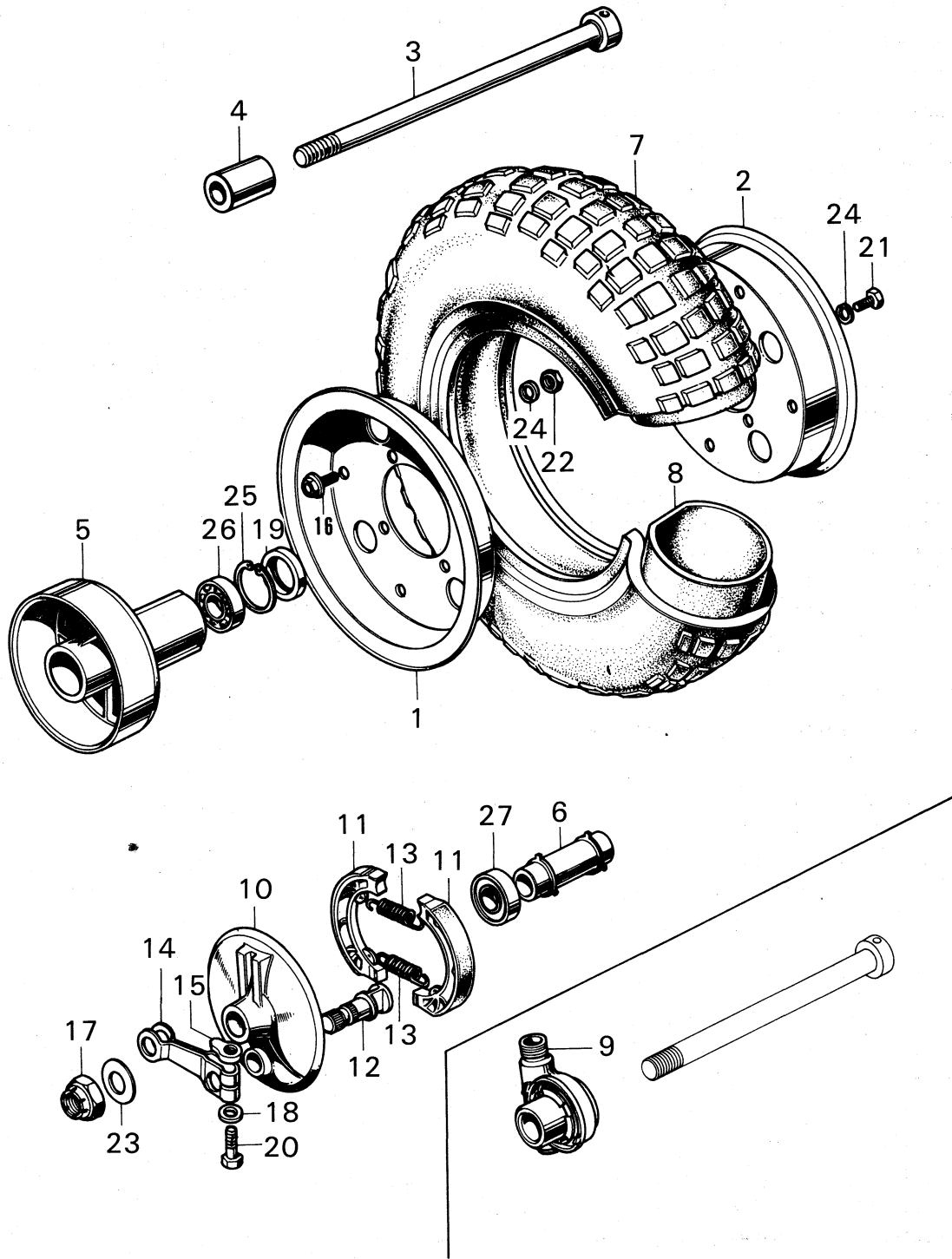
F-7 Exhaust Muffler



F-7 Exhaust Muffler

Ref. No.	Part No.	Description	Reqd. No.		Serial No.	Area Code
			Z50A	Z50A K2		
1	18231-041-300	JOINT, EX. PIPE 18231-040-000	1	1		
2	18233-040-010	COLLAR, EX. PIPE JOINT	2	2		
3	18240-045-030	COVER, EX. PIPE	1	1		A B,D,E,F,G,S,U
4	18240-045-670	COVER, EX. PIPE	1	1		A
5	18241-045-000	PROTECTOR, EX. PIPE	1	1		
6	18291-001-010	GASKET, EX. PIPE	1	1		
7	18292-290-000	GASKET, PROTECTOR	2	2		A
8	18310-045-620	MUFFLER COMP.	1	1		F
9	18310-045-671	MUFFLER COMP.	1	1		A
10	18310-045-700	MUFFLER COMP.	1	1		B,D,E,S,U
11	18310-045-720	MUFFLER COMP.	1	1		G
12	18311-045-671	PIPE, EX. DIFFUSER 18314-045-670	1	1	120087	A
	18314-045-670	PIPE, EX. DIFFUSER	1	1	120088	A D,E A,B,F,S,U
13	18314-045-610	PIPE, EX. DIFFUSER	1	1		F,G
14	18320-045-670	PIPE, EX. 18320-045-671	1	1	225099	
	18320-045-671	PIPE, EX.	1	1	225100	
15	18360-045-670C	PROTECTOR, MUFFLER	1	1	105306	A
	18360-045-670XB	PROTECTOR, MUFFLER	1	1	105306	A
	18360-045-670Z	PROTECTOR, MUFFLER	1	1	105306	A
	18360-045-671C	PROTECTOR, MUFFLER	1	1	105307	120087 A
	18360-045-671XB	PROTECTOR, MUFFLER	1	1	105307	120087 A
	18360-045-671Z	PROTECTOR, MUFFLER	1	1	105307	A D,E A,B,F,G,S,U
	18360-045-671AA	PROTECTOR, MUFFLER	1	1	120088	A D,E
	18360-045-671AB	PROTECTOR, MUFFLER	1	1	120088	A D,E
	18360-045-671BY	PROTECTOR, MUFFLER	1	1		
	18360-045-671CM	PROTECTOR, MUFFLER	1	1		
	18360-045-671CN	PROTECTOR, MUFFLER	1	1		
16	18371-045-000	BAND, EX. PIPE	1	1		
17	18391-045-000	GASKET, MUFFLER	1	1		
18	87505-045-670	PLATE B, CAUTION	1	1		A
19	87506-045-000	LABEL C, CAUTION	1	1		A
20	92000-05008-4J	BOLT, HEX., 5X8	1	1		
21	92000-06012	BOLT, HEX., 6X12	3	3		
22	92000-06018	BOLT, HEX., 6X18	1	1		
23	93500-05004-0A	SCREW, PAN, 5X4	4	2		A B,D,E,F,G,S,U
24	93500-05008-0A	SCREW, PAN, 5X8	4	2		A
25	94001-06000	NUT, HEX., 6MM	2	2		
26	94101-05000	WASHER, PLAIN, 5MM	1	1		
27	94101-05200	WASHER, PLAIN, 5MM	2	2		A
28	94101-06000	WASHER, PLAIN, 6MM	4	4		

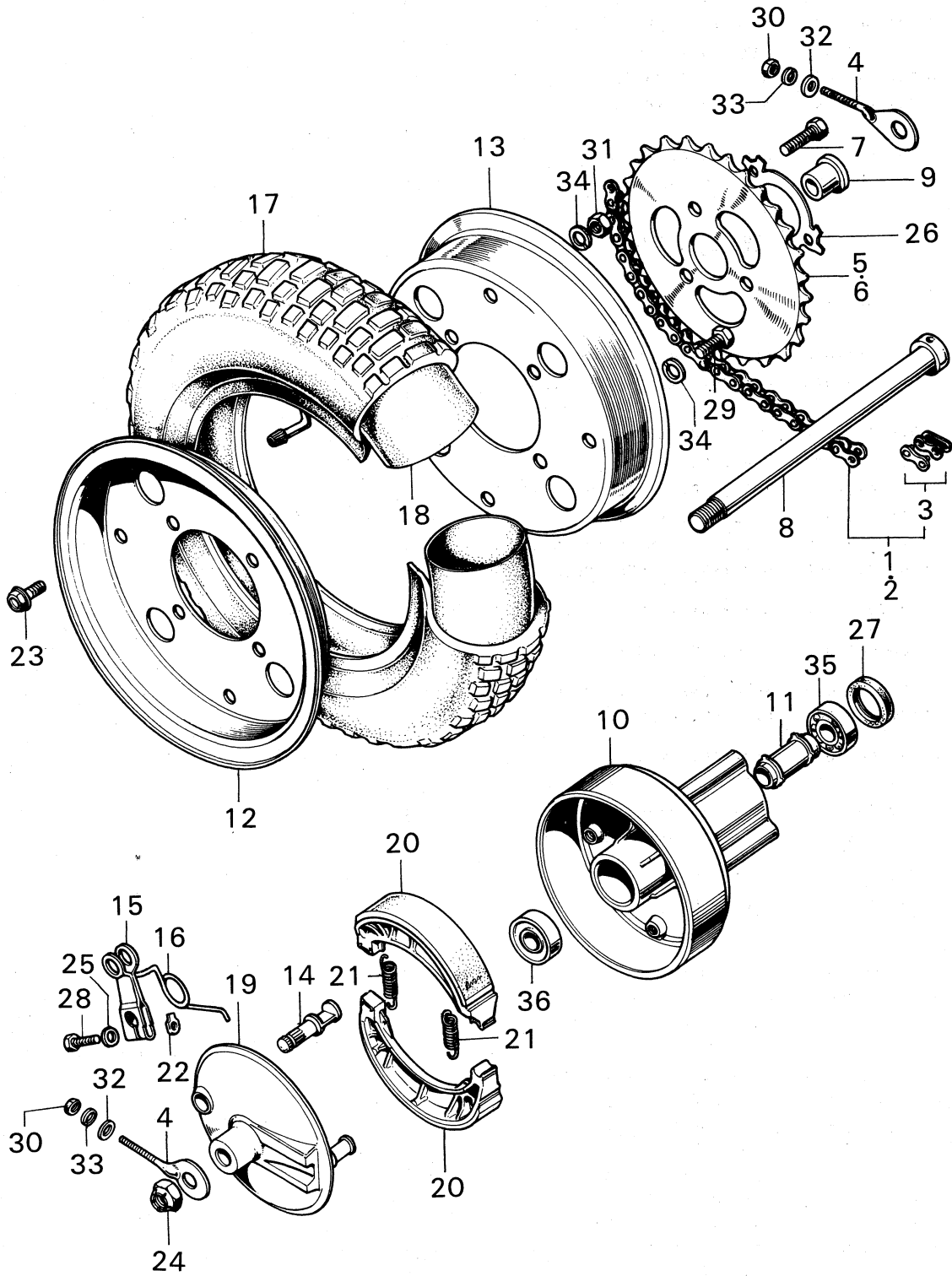
F-8 Front Wheel



F-8 Front Wheel

Ref. No.	Part No.	Description	Reqd. No.		Serial No.	Area Code
			Z50A	Z50A K2		
1	42701-045-670AU	RIM, R. WHEEL	1			
	42701-045-670S	RIM, R. WHEEL		1		
2	42702-045-670AU	RIM, L. WHEEL	1			
	42702-045-670S	RIM, L. WHEEL		1		
3	44301-045-000	AXLE, FR. WHEEL	1		108295	A
	44301-045-010	AXLE, FR. WHEEL	1		108296	A
			1	1		D,E
			1	1		A,B,F,G,S,U
4	44311-045-670	COLLAR, FR. WHEEL SIDE	1	1		A
5	44600-045-670	HUB, FR. WHEEL 44600-045-671 IN SET WITH 44620-045-020	1		100005	A
	44600-045-671	HUB, FR. WHEEL 44600-045-672	1		100006	A
			1			D,E
			1	1	331273	A,B,D,E,S
	44600-045-672	HUB, FR. WHEEL	1		331274	A,B,D,E,S
			1			F,G,U
6	44620-045-010	COLLAR, FR. AXLE DISTANCE	1		100005	A
	44620-045-020	COLLAR, FR. AXLE DISTANCE	1		100006	A
			1	1		D,E
			1	1		A,B,F,G,S,U
7	44711-045-671	TIRE, FR. WHEEL	1	1		
	44711-045-672	TIRE, FR. WHEEL	1	1		
	44711-045-673	TIRE, FR. WHEEL (3.50-18)	1	1		
	44711-045-674	TIRE, FR. WHEEL	1	1		
8	44712-045-670	TUBE, FR. WHEEL (3.50-8)	1	1		
9	44800-045-690	BOX ASSY., SPEEDOMETER GEAR 44800-045-691	1		2007653	D,E
	44800-045-691	BOX ASSY., SPEEDOMETER GEAR	1		2007654	D,E
			1	1		B,D,E,F,G,S,U
10	45100-045-020	PANEL, FR. BRAKE	1	1		
11	45120-001-010	SHOE COMP., FR. BRAKE	2	2		
12	45131-045-000	CAM, FR. BRAKE	1		400862	
	45131-045-010	CAM, FR. BRAKE	1		400863	
13	45133-028-000	SPRING, FR. BRAKE SHOE	2	2		
14	45410-045-670	ARM, FR. BRAKE	1	1		
15	45436-001-000	NUT, FR. BRAKE ARM SETTING	1	1		
16	92000-08016	BOLT, HEX., 8X16	4		108295	A
	90194-567-000	BOLT, SPLIT WHEEL 90194-567-010	4		108296	A
			4	4		D,E
			4	4		A,B,F,G,S,U
	90194-567-010	BOLT, WHEEL RIM	4	4		
17	90353-250-000	NUT, SELF LOCK, 12MM	1		108295	A
	90353-045-000	NUT, SELF LOCK, 12MM	1		108296	A
			1	1		D,E
			1	1		A,B,F,G,S,U
18	90525-001-000	WASHER, RR. BRAKE ARM	1	1		
19	91252-001-020	OIL SEAL, 21X35X7	1	1		
20	92000-06025	BOLT, HEX., 6X25	1	1		
21	92000-08016	BOLT, HEX., 8X16	4	4		
22	94030-08000	NUT, HEX., 8MM	4	4		
23	94101-12000	WASHER, PLAIN, 12MM	1	1		
24	94111-08000	WASHER, SPRING, 8MM	8	8		
25	94520-32000	CIR CLIP, INTERNAL, 32	1	1		
26	96100-62010	BEARING, RADIAL BALL, 6201	1	1		
27	96140-62010	BEARING, RADIAL BALL, 6201U	1	1		

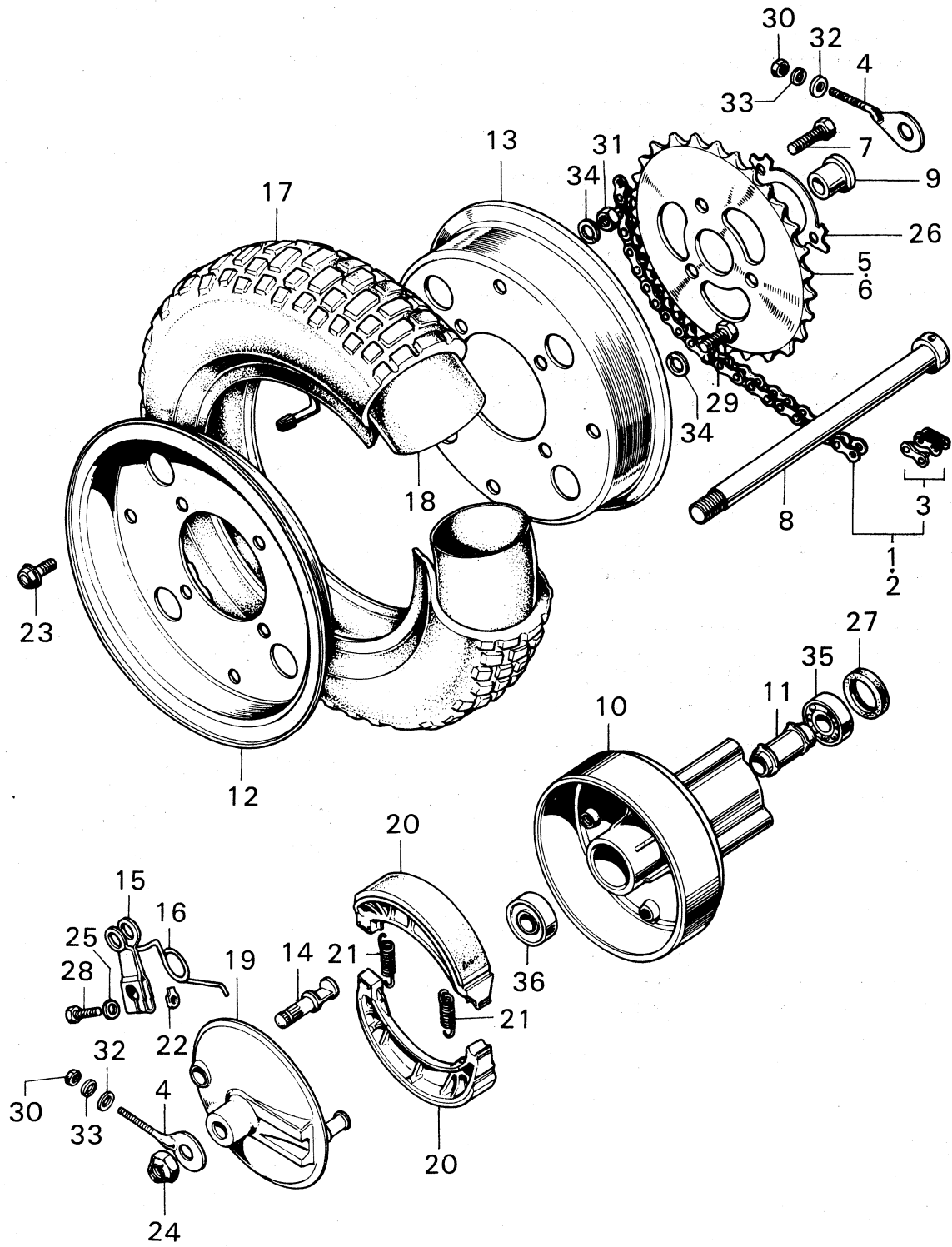
F-9 Rear Wheel



F-9 Rear Wheel

Ref. No.	Part No.	Description	Reqd. No.		Serial No.	Area Code
			Z50A	Z50A K2		
1	40530-045-670	CHAIN, DRIVE (74L)	1		120087	A
	40530-045-671	CHAIN, DRIVE (74L)	1	1	120088	A D,E A,B,F,G,S,U
2	40530-045-811	CHAIN, DRIVE (76L)	(1)		120087	A
	40530-045-820	CHAIN, DRIVE (76L)	(1)	(1)	120088	A A
3	40531-045-010	JOINT, DRIVE CHAIN	1		120087	A
	40531-045-671	JOINT, DRIVE CHAIN	1	1	120088	A D,E A,B,F,G,S,U
4	40543-032-000	ADJUSTER, R. DRIVE CHAIN	2	2		
5	41201-045-670	SPROCKET, FINAL DRIVEN (34T)	1		106900	A
	41201-045-671	SPROCKET, FINAL DRIVEN (35T)	1		106901	120087 A
	41201-045-672	SPROCKET, FINAL DRIVEN (35T)	1		120088	237607 A 237607 D,E
	41201-045-673	SPROCKET, FINAL DRIVEN (35T)	1	1	237608	
6	41201-045-811	SPROCKET, FINAL DRIVEN (38T)	(1)		120087	A
	41201-045-820	SPROCKET, FINAL DRIVEN (38T)	(1)		120088	237607 A
	41201-045-821	SPROCKET, FINAL DRIVEN (38T)	(1)	(1)	237608	A A
7	41209-032-000	BOLT, DRIVE SPROCKET CLAMP	3		106604	A
	92000-08025	BOLT, HEX., 8X25	3		106605	237607 A 237607 D,E
	90170-045-000	BOLT, FAINAL DRIVEN SPROCKET	3	3	237608	
8	42301-045-000	AXLE, RR. WHEEL	1		108295	A
	42301-045-010	AXLE, RR. WHEEL	1	1	108296	A D,E A,B,F,G,S,U
9	42311-045-000	COLLAR, RR. WHEEL SIDE	1	1		
10	42601-045-670	HUB COMP., RR. WHEEL 42601-045-671 WITH 42620-045-020	1		100005	A
	42601-045-671	HUB COMP., RR. WHEEL	1		100006	237607 A 237607 D,E
	42601-045-672	HUB COMP., RR. WHEEL 42601-045-673	1	1	237608	331273 A,B,D,E,S
	42601-045-673	HUB COMP., RR. WHEEL 42601-120-000	1	1	331274	A,B,D,E,S F,G,U
	42601-120-000	HUB COMP., RR. WHEEL	1	1	331274	A,B,D,E,S F,G,U
11	42620-045-010	COLLAR, RR. AXLE DISTANCE	1		100005	A
	42620-045-020	COLLAR, RR. AXLE DISTANCE	1	1	100006	A D,E A,B,F,G,S,U
12	42701-045-670AU	RIM, R. WHEEL	1			
	42701-045-670S	RIM, R. WHEEL	1			

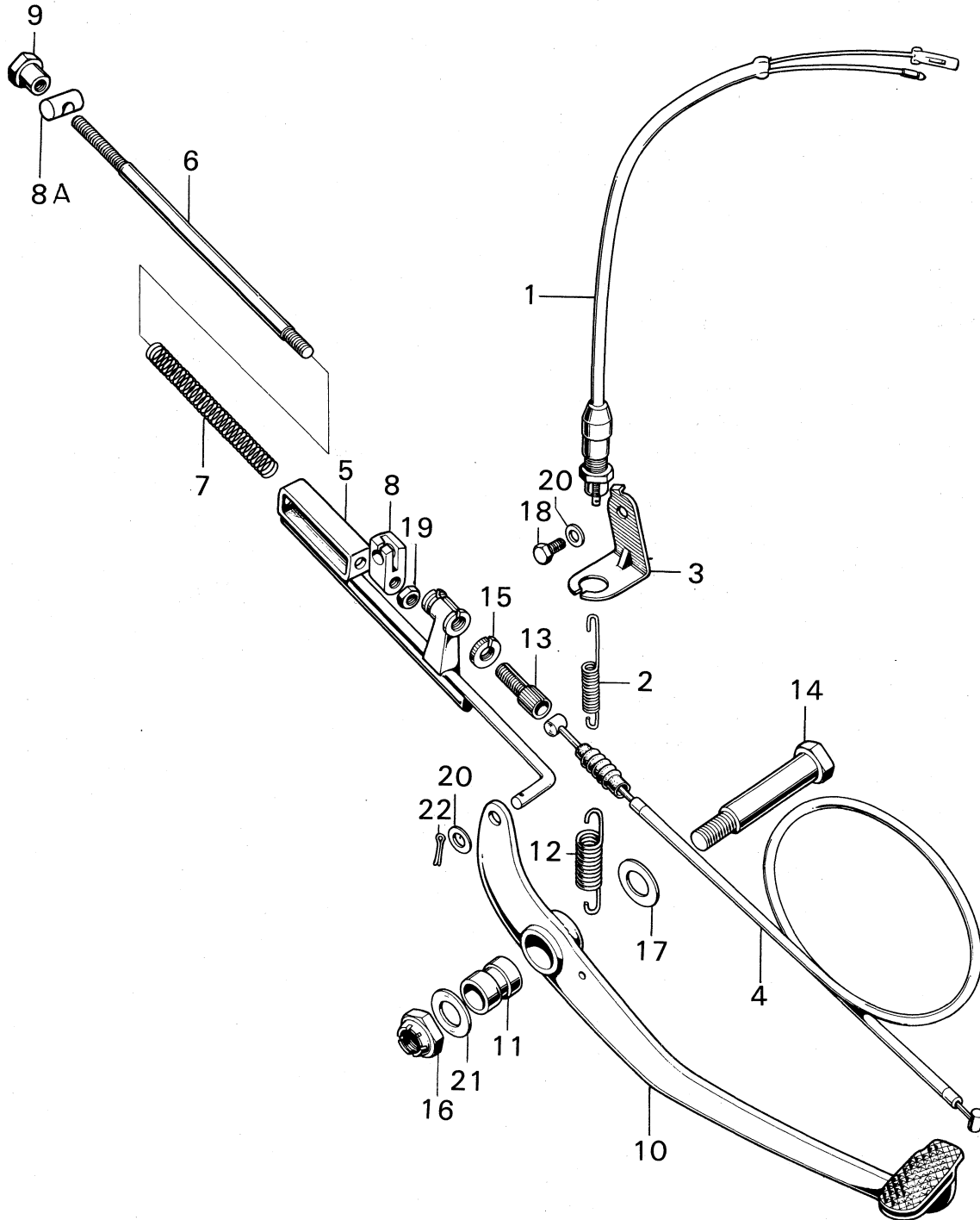
F-9 Rear Wheel



F-9 Rear Wheel

Ref. No.	Part No.	Description	Reqd. No.		Serial No.	Area Code
			Z50A	Z50A K2		
13	42702-045-670AU	RIM, L. WHEEL	1			
	42702-045-670S	RIM, L. WHEEL		1		
14	43141-045-000	CAM, RR. BRAKE	1	1		
15	43410-045-670	ARM, RR. BRAKE	1	1		
16	43412-045-670	SPRING, RR. BRAKE ARM RETURN	1	1		A B,D,E,F,G,S,U
17	44711-045-671	TIRE, FR. WHEEL	1	1		
	44711-045-672	TIRE, FR. WHEEL	1	1		
	44711-045-673	TIRE, FR. WHEEL (3.50-18)	1	1		
	44711-045-674	TIRE, FR. WHEEL		1		
18	44712-045-670	TUBE, FR. WHEEL (3.50-8)	1	1		
19	45100-045-020	PANEL, FR. BRAKE	1	1		
20	45120-001-010	SHOE COMP., FR. BRAKE	2	2		
21	45133-028-000	SPRING, FR. BRAKE SHOE	2	2		
22	45436-001-000	NUT, FR. BRAKE ARM SETTING	1	1		
23	92000-08016	BOLT, HEX., 8X16	4		108295	A
	90194-567-000	BOLT, SPLIT WHEEL 90194-567-010	4 4	4	108296	A D,E A,B,F,G,S,U
	90194-567-010	BOLT, WHEEL RIM		4		
24	90353-250-000	NUT, SELF LOCK, 12MM	1		108295	A
	90353-045-000	NUT, SELF LOCK, 12MM	1 1	1	108296	A D,E A,B,F,G,S,U
25	90525-001-000	WASHER, RR. BRAKE ARM	1	1		
26	90552-001-000	WASHER, TOOTHED	3		106604	A
	90529-045-670	WASHER, TONGUED, 8MM 94108-21000	1 1	1	106605	237607 A 237607 D,E
	90529-045-671	WASHER, TONGUED, 8MM	1	1	237608	
27	91251-045-005	OIL SEAL, 18X32X8	1	1		
28	92000-06025	BOLT, HEX., 6X25	1	1		
29	92000-08016	BOLT, HEX., 8X16	4	4		
30	94001-06000	NUT, HEX., 6MM	2	2		
31	94030-08000	NUT, HEX., 8MM	4	4		
32	94101-06000	WASHER, PLAIN, 6MM	2	2		
33	94111-06000	WASHER, SPRING, 6MM	2	2		
34	94111-08000	WASHER, SPRING, 8MM	8	8		
35	96100-62010	BEARING, RADIAL BALL, 6201	1	1		
36	96140-62010	BEARING, RADIAL BALL, 6201U	1	1		

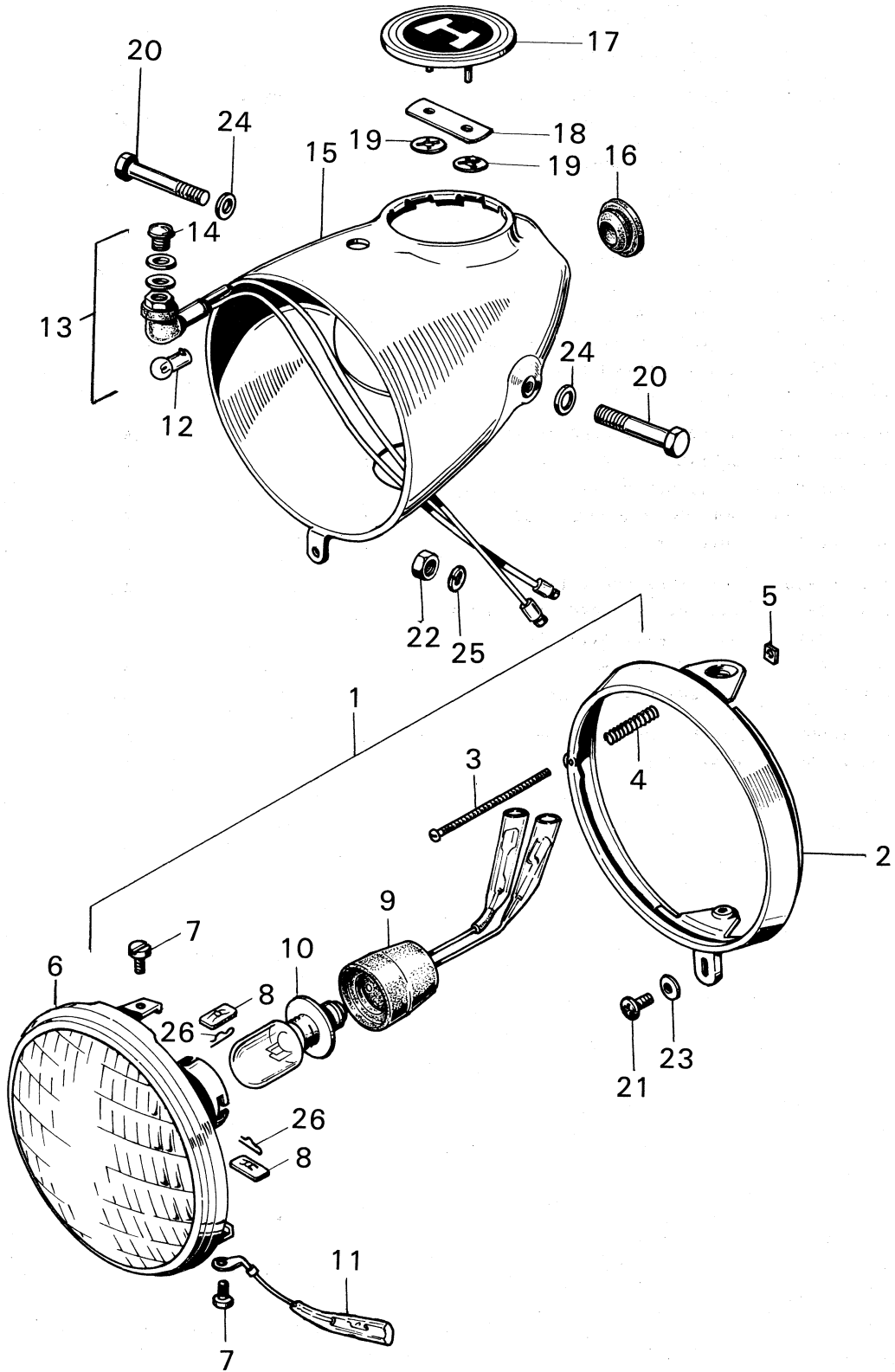
F-10 Rear Brake Pedal (Used for A type)



F-10 Rear Brake Pedal (Used for A type)

Ref. No.	Part No.	Description	Reqd. No.		Serial No.	Area Code
			Z50A	Z50A K2		
1	35350-045-720	SWITCH ASSY., STOP	1			A
2	35357-045-720	SPRING, STOP SWITCH	1			A
3	35358-045-720	BRACKET, STOP SWITCH	1			A
4	43450-045-000	CABLE COMP., RR. BRAKE 43450-045-010	1		336883	A
	43450-045-010	CABLE COMP., RR. BRAKE	1		336884	A
5	43451-045-671	ROD A, RR. BRAKE	1			A
6	43452-045-671	ROD B, RR. BRAKE	1			A
7	43472-212-000	SPRING, RR. BRAKE ROD 95014-73300	1		382794	A
	95014-73300	SPRING C, BRAKE ROD	1		382795	A
8	43473-045-670	JOINT, RR. BRAKE ROD	1			A
8A	45461-001-000	JOINT, FR. BRAKE ARM	1		382794	A
	95015-31000	JOINT A, BRAKE ARM	1		382795	A
9	45462-028-000	NUT, FR. BRAKE ADJUSTING	1		382794	A
	95015-41000	NUT A, BRAKE ROD ADJUST	1		382795	A
10	46500-045-671	PEDAL, BRAKE	1			A
11	46506-045-720	COLLAR, BRAKE PEDAL PIVOT	1			A
12	46514-045-720	SPRING, BRAKE PEDAL	1			A
13	53192-268-000	BOLT, CLUTCH WIRE ADJUSTING	1			A
14	90128-045-720	BOLT, REAR BRAKE PIVOT	1			A
15	90321-268-000	NUT, FIXING	1			A
16	90353-045-000	NUT, SELF LOCK, 12MM	1			A
17	90526-268-000	WASHER, RR. FORK PIVOT BOLT	1			A
18	92000-06012	BOLT, HEX., 6X12	1			A
19	94001-06000	NUT, HEX., 6MM	1			A
20	94101-06000	WASHER, PLAIN, 6MM	2			A
21	94101-12000	WASHER, PLAIN, 12MM	1			A
22	94201-20150	PIN, SPLIT, 2.0X15	1			A

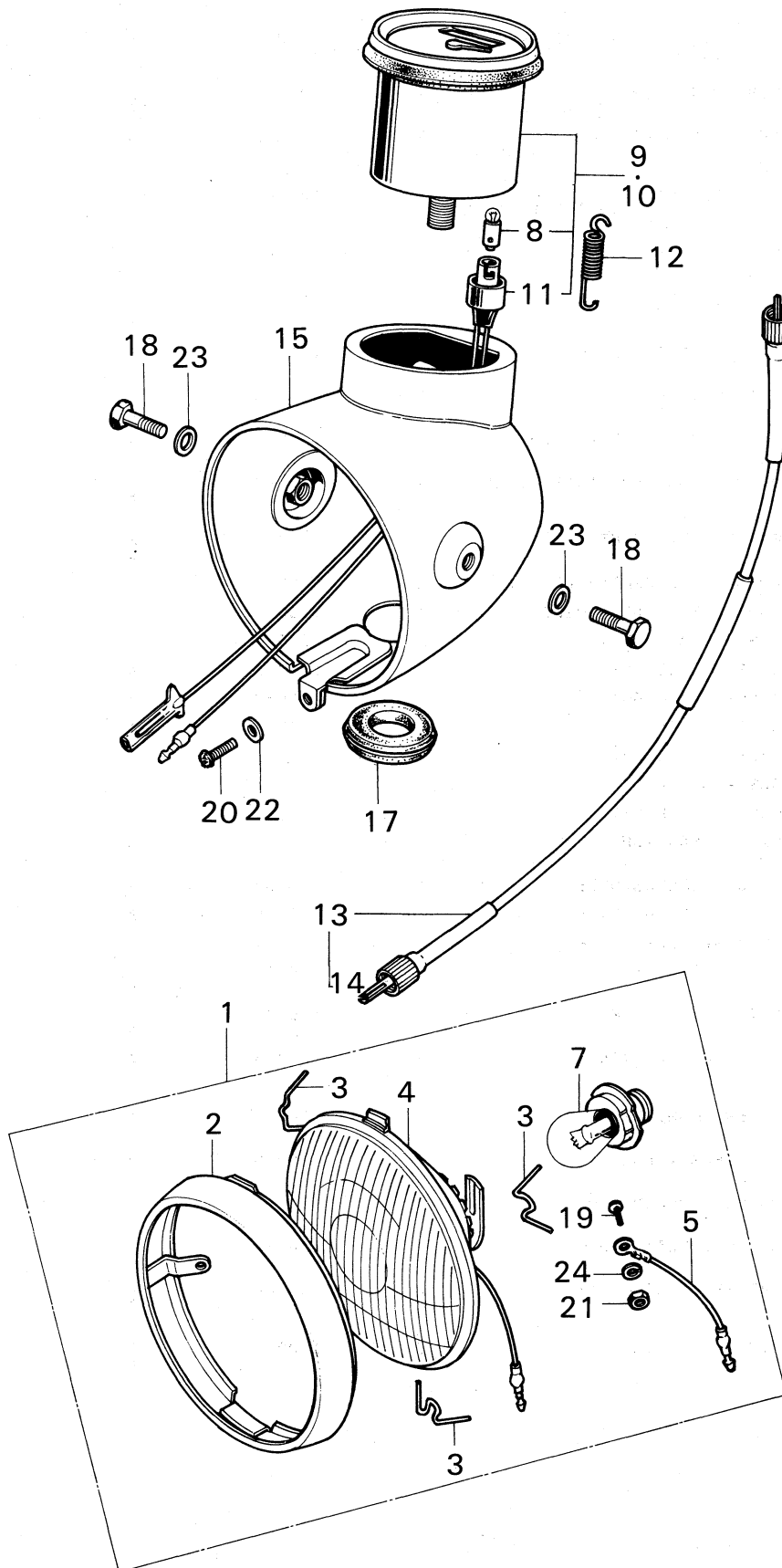
F-11 Headlight (Used for A type)



F-11 Headlight (Used for A type)

Ref. No.	Part No.	Description	Reqd. No.		Serial No.	Area Code
			Z50A	Z50A K2		
1	33100-063-670	HEADLIGHT ASSY. (6V15/15W) (STANLEY)	1		120088	A
				1		A
2	33101-063-670	RIM, HEADLIGHT	1		120088	A
				1		A
3	33102-041-670	SCREW, HEADLIGHT BEAM ADJUSTING	1		120088	A
				1		A
4	33107-001-003	SPRING, HEADLIGHT BEAM ADJUSTING (STANLEY)	1		120088	A
				1		A
5	33117-041-003	NUT, BEAM ADJUSTING (STANLEY)	1		120088	A
				1		A
6	33120-063-670	HEADLIGHT UNIT	1		120088	A
				1		A
7	33125-292-670	SCREW, UNIT HOLDER	2		120088	A
				2		A
8	33128-292-670	NUT, UNIT HOLDER	2		120088	A
				2		A
9	33130-063-670	SOCKET ASSY., HEADLIGHT	1		120088	A
				1		A
10	34901-001-671	BULB, HEADLIGHT (6V15/15W)	1		120088	A
				1		A
11	34902-044-670	EARTH, HEADLIGHT	1		120088	A
				1		A
12	34908-230-000	BULB, SPEEDOMETER (6V1.7W)	1		120088	A
13	37550-044-671	LAMP ASSY., BEAM PILOT	1		120088	A
14	37551-044-670	LENS, BEAM PILOT	1		120088	A
15	61301-063-670AA	CASE, HEADLIGHT	1		120088	A
	61301-063-670AB	CASE, HEADLIGHT	1		120088	A
	61301-063-670XB	CASE, HEADLIGHT	1		120088	A
	61301-063-670Z	CASE, HEADLIGHT	1		120088	A
	61301-063-670BY	CASE, HEADLIGHT		1		A
	61301-063-670CM	CASE, HEADLIGHT		1		A
	61301-063-670CN	CASE, HEADLIGHT		1		A
16	61303-045-670	PLUG, USELESS HOLE	1		120088	A
17	61402-045-670	EMBLEM, LIGHT CASE	1		120088	A
	61402-045-671	EMBLEM, LIGHT CASE		1		A
18	61403-045-670	PLATE, EMBLEM SETTING	1		120088	A
				1		A
19	90315-504-000	NUT, SPEED, 3MM	2		120088	A
				2		A
20	92000-06036	BOLT, HEX., 6X36	2		120088	A
				2		A
21	93500-05012-0A	SCREW, PAN, 5X12	1		120088	A
				1		A
22	94001-06000	NUT, HEX., 6MM	2		120088	A
				2		A
23	94101-05000	WASHER, PLAIN, 5MM	1		120088	A
				1		A
24	94101-06000	WASHER, PLAIN, 6MM	2		120088	A
				2		A
25	94111-06000	WASHER, SPRING, 6MM	2		120088	A
				2		A
26	94251-05000	PIN, LOCK, 5MM	2		120088	A
				2		A

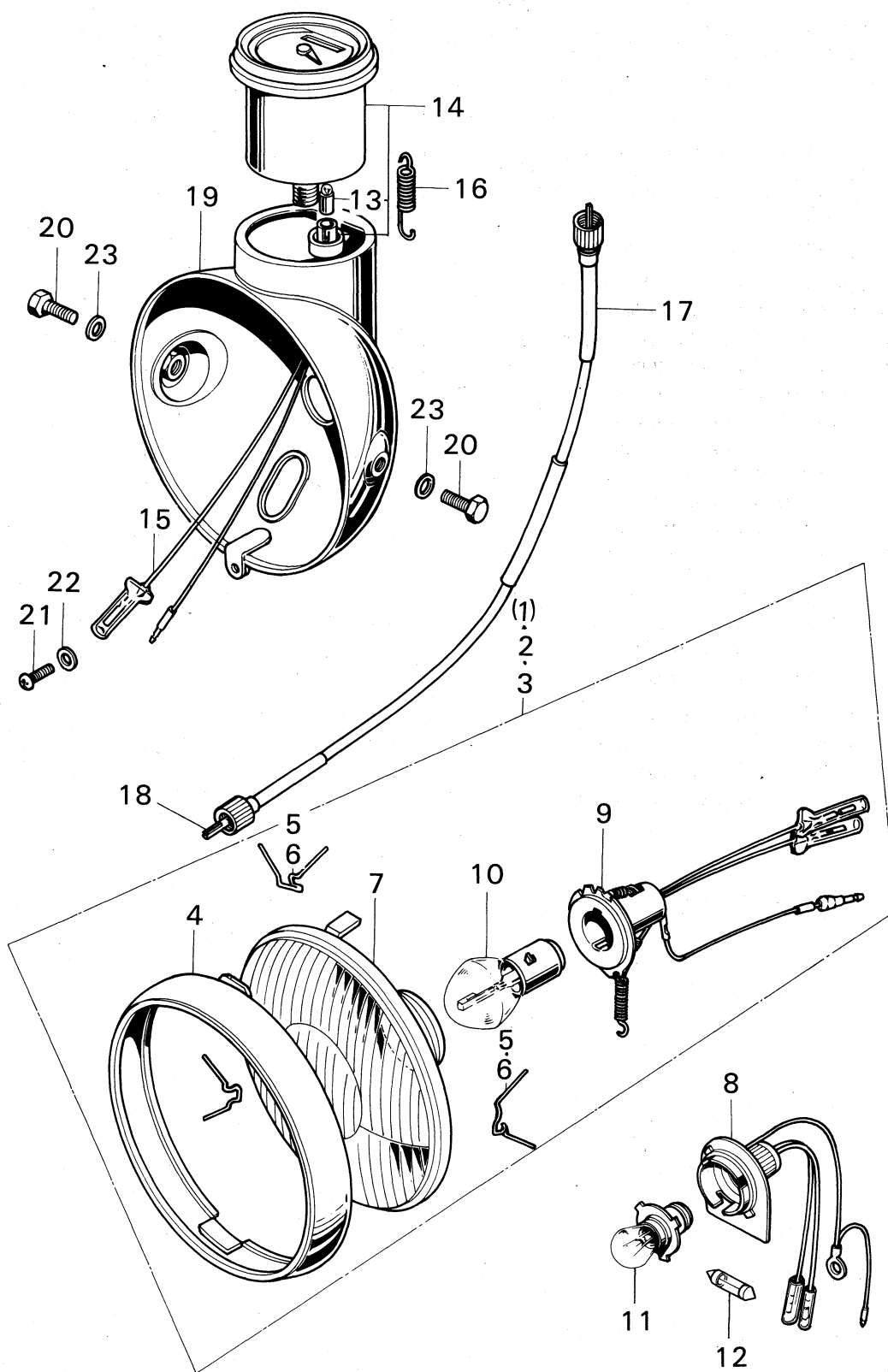
F-11-1 Headlight • Speedometer (Used for D and E types)



F-11-1 Headlight • Speedometer (Used for D and E types)

Ref. No.	Part No.	Description	Reqd. No.		Serial No.	Area Code
			Z50A	Z50A K2		
1	33100-045-601	HEADLIGHT ASSY. (6V15W) (STANLEY)	1	1		D,E
2	33101-045-601	RIM, HEADLIGHT	1	1		D,E
3	33108-045-601	SPRING, SUPPORTER	3	3		D,E
4	33121-045-601	HEADLIGHT UNIT	1	1		D,E
5	33158-045-601	CORD, HEADLIGHT EARTH	1	1		D,E
7	34901-045-601	BULB, HEADLIGHT (6V15W) (STANLEY)	1	1		D,E
8	34908-001-000	BULB, SPEEDOMETER (6V1.5W)	1	1		D,E
9	37200-045-000	SPEEDOMETER ASSY.	1	1		D
10	37200-045-601	SPEEDOMETER ASSY.	1	1		D,E
11	37203-045-000	SOCKET, SPEEDOMETER	1	1		D,E
12	37244-045-000	SPRING, METER SET	1	1		D,E
13	44830-045-700	CABLE ASSY., SPEEDOMETER	1	1		D,E
14	44831-045-700	CABLE, SPEEDOMETER INNER	1	1		D,E
15	61301-045-600AA	CASE, HEADLIGHT	1			D,E
	61301-045-600AB	CASE, HEADLIGHT	1			D
	61301-045-600XB	CASE, HEADLIGHT	1			D,E
	61301-045-600Z	CASE, HEADLIGHT	1	1		D,E
	61301-045-600BY	CASE, HEADLIGHT		1		E
	61301-045-600CM	CASE, HEADLIGHT		1		D,E
	61301-045-600CN	CASE, HEADLIGHT		1		D
17	61302-268-020	GROMMET, 25MM	1	1		D,E
18	92000-08016-0A	BOLT, HEX., 8X16	2	2		D,E
19	93500-03006-33	SCREW, PAN, 3X6	1	1		D,E
20	93500-05012-0A	SCREW, PAN, 5X12	1	1		D,E
21	94001-03330	NUT, HEX., 3MM	1	1		D,E
22	94101-05000	WASHER, PLAIN, 5MM	1	1		D,E
23	94101-08000	WASHER, PLAIN, 8MM	2	2		D,E
24	94111-03000	WASHER, SPRING, 3MM	1	1		D,E

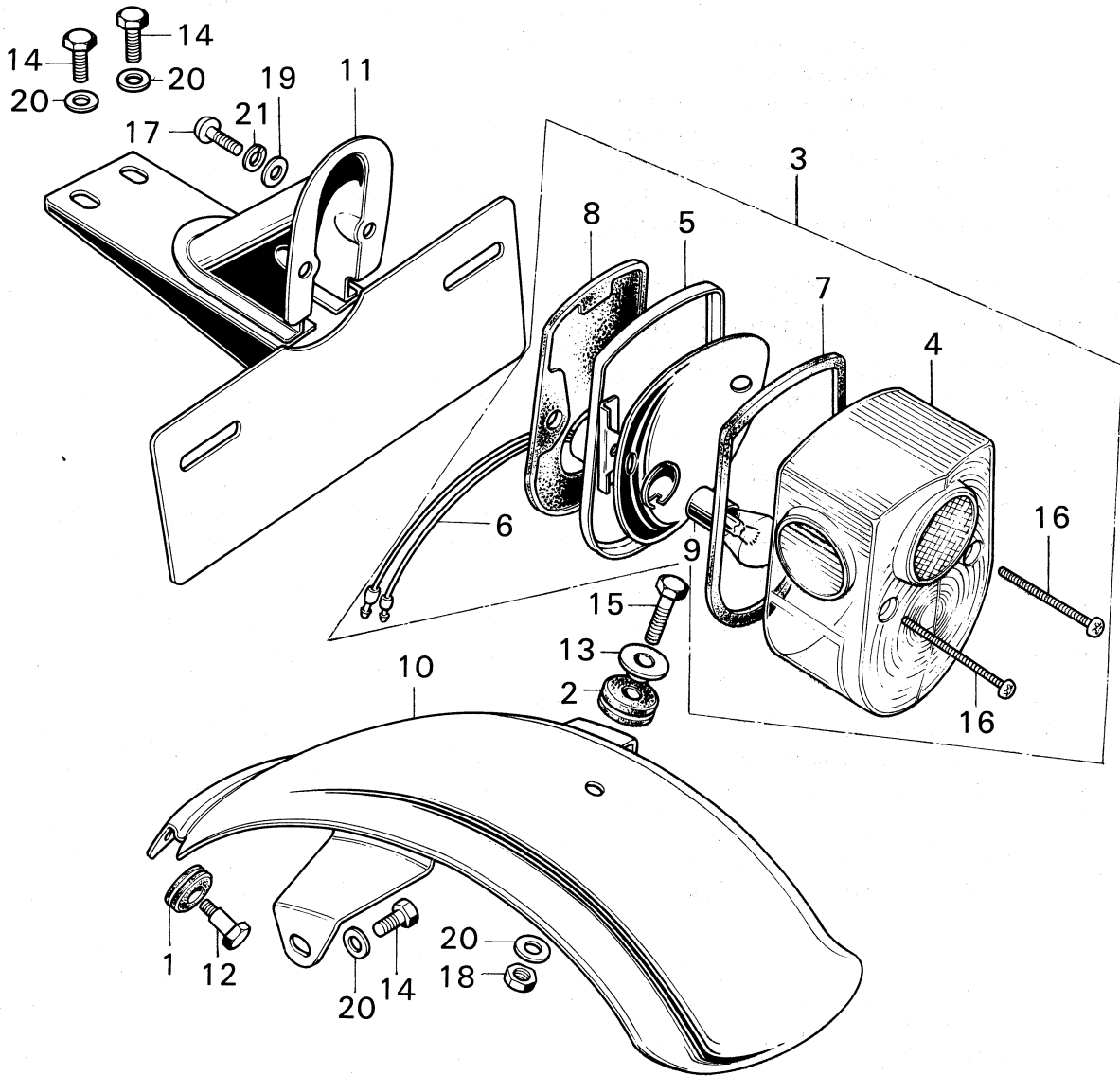
F-11-2 Headlight • Speedometer (Used for B, F, G and S types)



F-11-2 Headlight • Speedometer (Used for B, F, G and S types)

Ref. No.	Part No.	Description	Reqd. No.		Serial No.	Area Code
			Z50A	Z50A K2		
1	33100-045-620	HEADLIGHT ASSY. (6V25/25W-4W) (STANLEY)	1			F
2	33100-051-740	HEADLIGHT ASSY. (6V25/25W) (STANLEY)	1			S
	33100-051-023	HEADLIGHT ASSY. (6V25/25W) (STANLEY)	1			G
3	33100-230-622	HEADLIGHT ASSY. (6V25/25W-4W) (STANLEY)	1			B
4	33101-230-621	RIM, HEADLIGHT	1			B,F
	33101-237-600	RIM, HEADLIGHT	1			G,S
5	33108-051-000	SPRING, HEADLIGHT UNIT SETTING	3			B,F
6	33115-051-023	SPRING, HOLDER	3			G,S
7	33120-051-023	HEADLIGHT UNIT	1			G,S
	33120-230-621	HEADLIGHT UNIT	1			B,F
8	33130-045-620	SOCKET COMP., HEADLIGHT	1			F
9	33130-051-023	SOCKET ASSY., HEADLIGHT	1			G,S
	33130-286-622	SOCKET ASSY., HEADLIGHT	1			B
10	34901-030-600	BULB, HEADLIGHT (6V25/25W) (STANLEY)	1			S
11	34901-351-621	BULB, HEADLIGHT (6V25/25W) (LOCAL PROCUREMENT PART)	1			F
12	34903-382-621	BULB, POSITION (6V4W) (LOCAL PROCUREMENT PART)	1			F
13	34908-001-000	BULB, SPEEDOMETER (6V1.5W)	1			B,F,G,S
14	37200-045-000	SPEEDOMETER ASSY.	1			B,F,G,S
15	37203-045-000	SOCKET, SPEEDOMETER	1			B,F,G,S
16	37244-045-000	SPRING, METER SET	1			B,F,G,S
17	44830-045-730	CABLE ASSY., SPEEDOMETER	1			B,F,G,S
18	44831-045-730	CABLE, SPEEDOMETER INNER	1			B,F,G,S
19	61301-045-733BY	CASE, HEADLIGHT 61301-045-735BY	1			B,F,G
	61301-045-733CM	CASE, HEADLIGHT 61301-045-735CM	1			B,F,G,S
	61301-045-733CN	CASE, HEADLIGHT 61301-045-735CN	1			B,F,G,S
	61301-045-735BY	CASE, HEADLIGHT	1			B,F,G
	61301-045-735CM	CASE, HEADLIGHT	1			B,F,G,S
	61301-045-735CN	CASE, HEADLIGHT	1			B,F,G,S
20	92000-08016-0A	BOLT, HEX., 8X16	2			B,F,G,S
21	93500-05012-0A	SCREW, PAN, 5X12	1			B,F,G,S
22	94101-05000	WASHER, PLAIN, 5MM	1			B,F,G,S
23	94101-08000	WASHER, PLAIN, 8MM	2			B,F,G,S

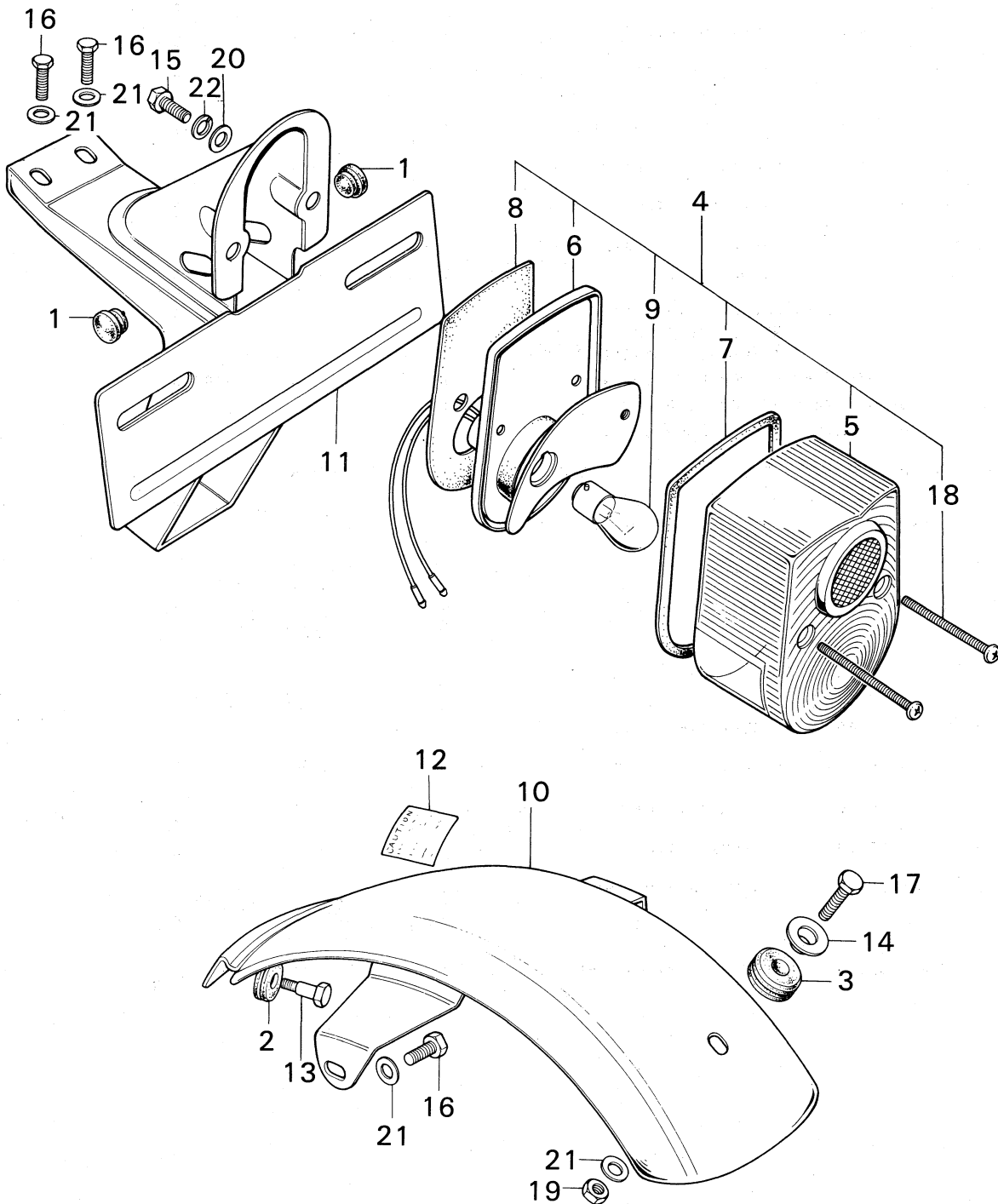
F-12 Taillight • Rear Fender (Used for A and S types)



F-12 Taillight • Rear Fender (Used for A and S types)

Ref. No.	Part No.	Description	Reqd. No.		Serial No.	Area Code
			Z50A	Z50A K2		
1	31403-071-000	RUBBER, REGULATOR CUSHION	2	2	103193	A A,S
2	32983-011-000	GROMMET, WIRE CORD	1	1	120088	A A,S
3	33701-074-670	TAILLIGHT UNIT	1	1	120088	A A,S
4	33702-074-671	LENS, TAILLIGHT	1	1	120088	A A,S
5	33703-074-671	BASE COMP., TAILLIGHT	1	1	120088	A A,S
6	33708-077-671	CORD COMP., TAILLIGHT	1	1	120088	A A,S
7	33709-074-671	PACKING, TAILLIGHT LENS	1	1	120088	A A,S
8	33719-074-670	PACKING, TAILLIGHT BASE	1	1	120088	A A,S
9	34906-041-670	BULB, STOP & TAIL LIGHT (6V-17/5.3W)	1	1	120088	A A,S
	34906-041-671		1	1		A A,S
10	80100-045-670AU	FENDER COMP., RR. 80100-045-671AU IN SET WITH 31403-071-000 (2 PCS.) AND 90157-001-000 (2 PCS.)	1		103192	A
	80100-045-671AU	FENDER COMP., RR.	1		103193	120087 A
	80100-045-672XW	FENDER COMP., RR.	1		120088	A
	80100-045-673XW	FENDER COMP., RR.	1			A,S
11	84700-045-670B	BRACKET, NUMBER PLATE	1		120088	A
	84700-045-671B	BRACKET, NUMBER PLATE	1			A,S
12	90157-001-000	BOLT, WINKER RELAY SETTING	2	2	103193	A A,S
13	90563-045-000	WASHER, NUMBER BRACKET MOUNT	1	1	120088	A A,S
14	92000-06012	BOLT, HEX., 6X12	4 2 4	4	103193 120088	103192 120087 A A A A,S
15	92000-06020	BOLT, HEX., 6X20	1	1	120088	A A,S
16	93500-04045-0B	SCREW, PAN, 4X45	2	2	120088	A A,S
17	93500-05012-0A	SCREW, PAN, 5X12	2	2	120088	A A,S
18	94001-06000	NUT, HEX., 6MM	1	1	120088	A A,S
19	94101-05000	WASHER, PLAIN, 5MM	2	2	120088	A A,S
20	94101-06000	WASHER, PLAIN, 6MM	4 2 5	5	103193 120088	103192 120087 A A A A,S
21	94111-05000	WASHER, SPRING, 5MM	2	2	120088	A A,S

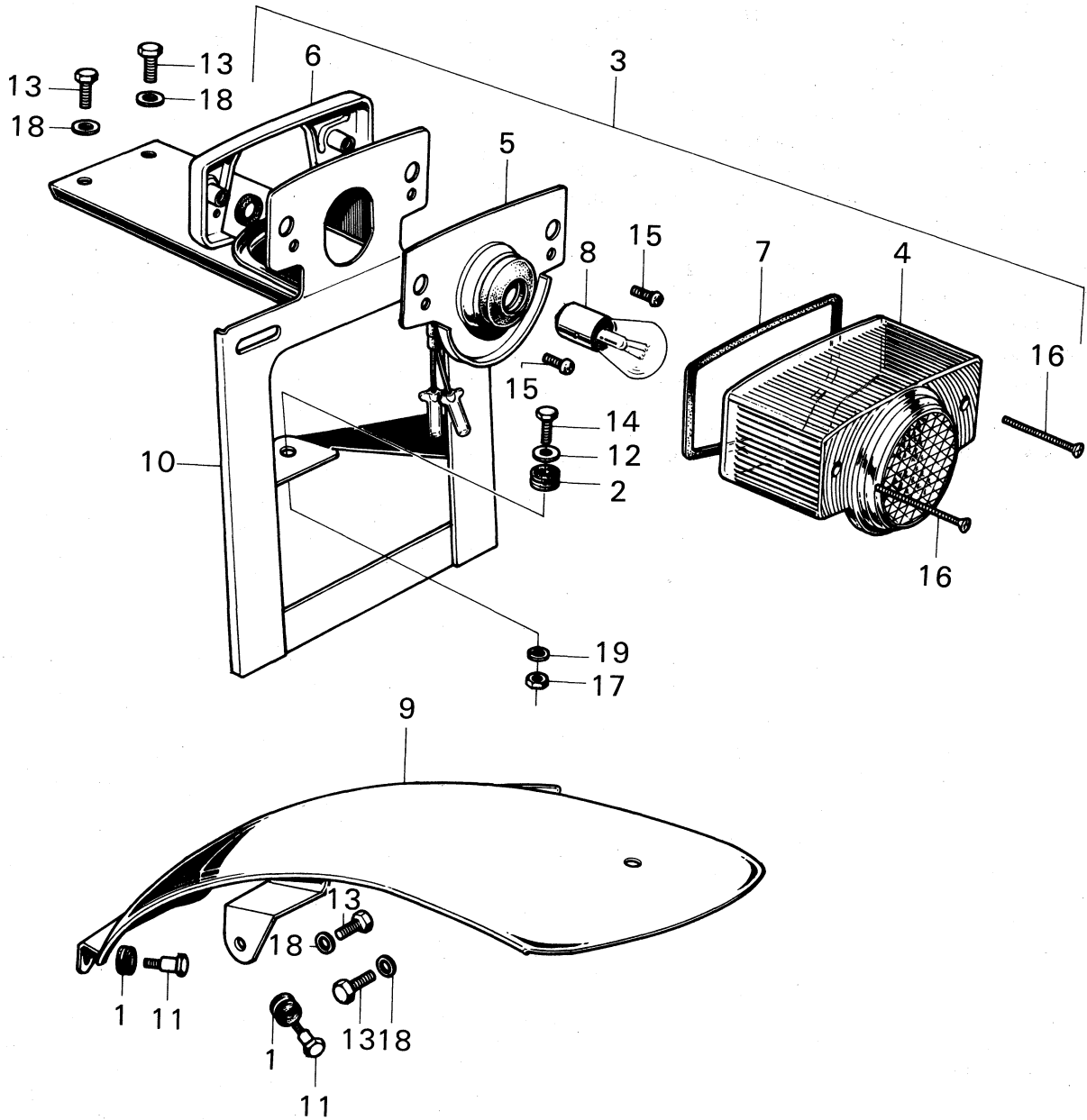
F-12-1 Taillight • Rear Fender (Used for U type)



F-12-1 Taillight - Rear Fender (Used for U types)

Ref. No.	Part No.	Description	Reqd. No. Z50A Z50A K2	Serial No.	Area Code
1	17911-023-000	GROMMET, THROTTLE CABLE	2		U
2	31403-071-000	RUBBER, REGULATOR CUSHION	2		U
3	32983-011-000	GROMMET, WIRE CORD	1		U
4	33701-045-650	TAILLIGHT UNIT	1		U
5	33702-045-690	LENS, TAILLIGHT	1		U
6	33703-074-671	BASE COMP., TAILLIGHT	1		U
7	33709-074-671	PACKING, TAILLIGHT LENS	1		U
8	33719-074-670	PACKING, TAILLIGHT BASE	1		U
9	34906-030-010	BULB, TAILLIGHT (6V 10/3W)	1		U
10	80100-045-673XW	FENDER COMP., RR.	1		U
11	84700-045-650B	BRACKET, NUMBER PLATE	1		U
12	87506-045-650	MARK, BATTERY CAUTION	1		U
13	90157-001-000	BOLT, WINKER RELAY SETTING	2		U
14	90563-045-000	WASHER, NUMBER BRACKET MOUNT	1		U
15	92000-05012-0A	BOLT, HEX., 5X12	2		U
16	92000-06012	BOLT, HEX., 6X12	4		U
17	92000-06020	BOLT, HEX., 6X20	1		U
18	93500-04050-0B	SCREW, PAN, 4X50	2		U
19	94001-06000	NUT, HEX., 6MM	1		U
20	94101-05000	WASHER, PLAIN, 5MM	2		U
21	94101-06000	WASHER, PLAIN, 6MM	5		U
22	94111-05000	WASHER, SPRING, 5MM	2		U

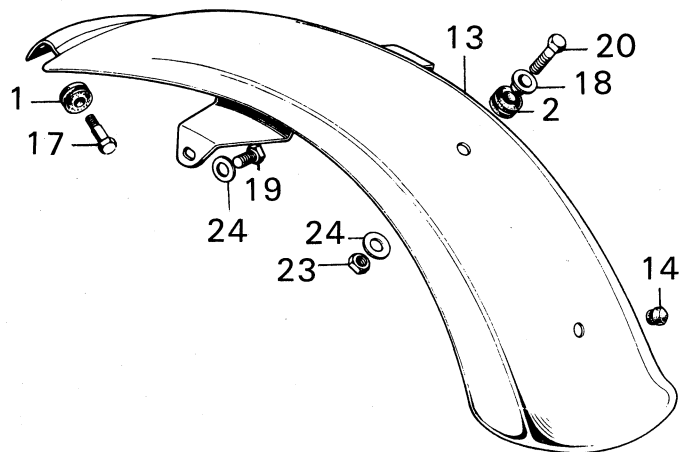
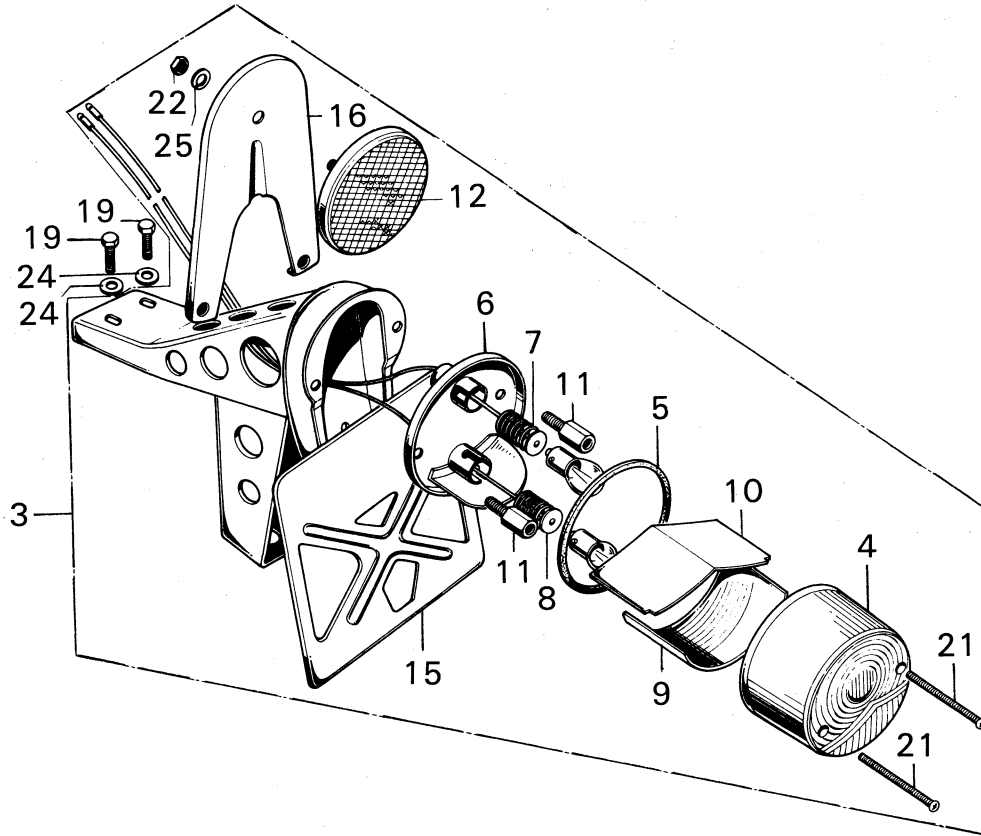
F-12-2 Taillight • Rear Fender (Used for B, D and E types)



F-12-2 Taillight • Rear Fender (Used for B, D and E types)

Ref. No.	Part No.	Description	Reqd. No.		Serial No.	Area Code
			Z50A	Z50A K2		
1	31403-071-000	RUBBER, REGULATOR CUSHION	2	2		B,D,E
2	32983-011-000	GROMMET, WIRE CORD	1	1		B,D,E
3	33700-045-700	TIALLIGHT ASSY.	1	1		B,D,E
4	33701-268-600	LENS, TAILLIGHT	1	1		B,D,E
5	33703-045-000	SOCKET, TAILLIGHT	1	1		B,D,E
6	33705-045-000	PLATE, TAILLIGHT LENS HOLDER	1	1		B,D,E
7	33709-268-810	PACKING, TAILLIGHT LENS	1	1		B,D,E
8	34906-202-830	BULB, TAILLIGHT	1	1		B,D,E
9	80100-045-672XW	FENDER COMP., RR.	1	1		B,D,E
10	84700-045-700B	BRACKET, NUMBER PLATE	1	1		B,D,E
11	90157-001-000	BOLT, WINKER RELAY SETTING	2	2		B,D,E
12	90563-045-000	WASHER, NUMBER BRACKET MOUNT	1	1		B,D,E
13	92000-06012	BOLT, HEX., 6X12	4	4		B,D,E
14	92000-06020	BOLT, HEX., 6X20	1	1		B,D,E
15	93500-04010-0A	SCREW, PAN, 4X10	2	2		B,D,E
16	93700-03060-0A	SCREW, OVAL, 3X60	2	2		B,D,E
17	94001-06000	NUT, HEX., 6MM	1	1		B,D,E
18	94101-06000	WASHER, PLAIN, 6MM	4	4		B,D,E
19	94111-06000	WASHER, SPRING, 6MM	1	1		B,D,E

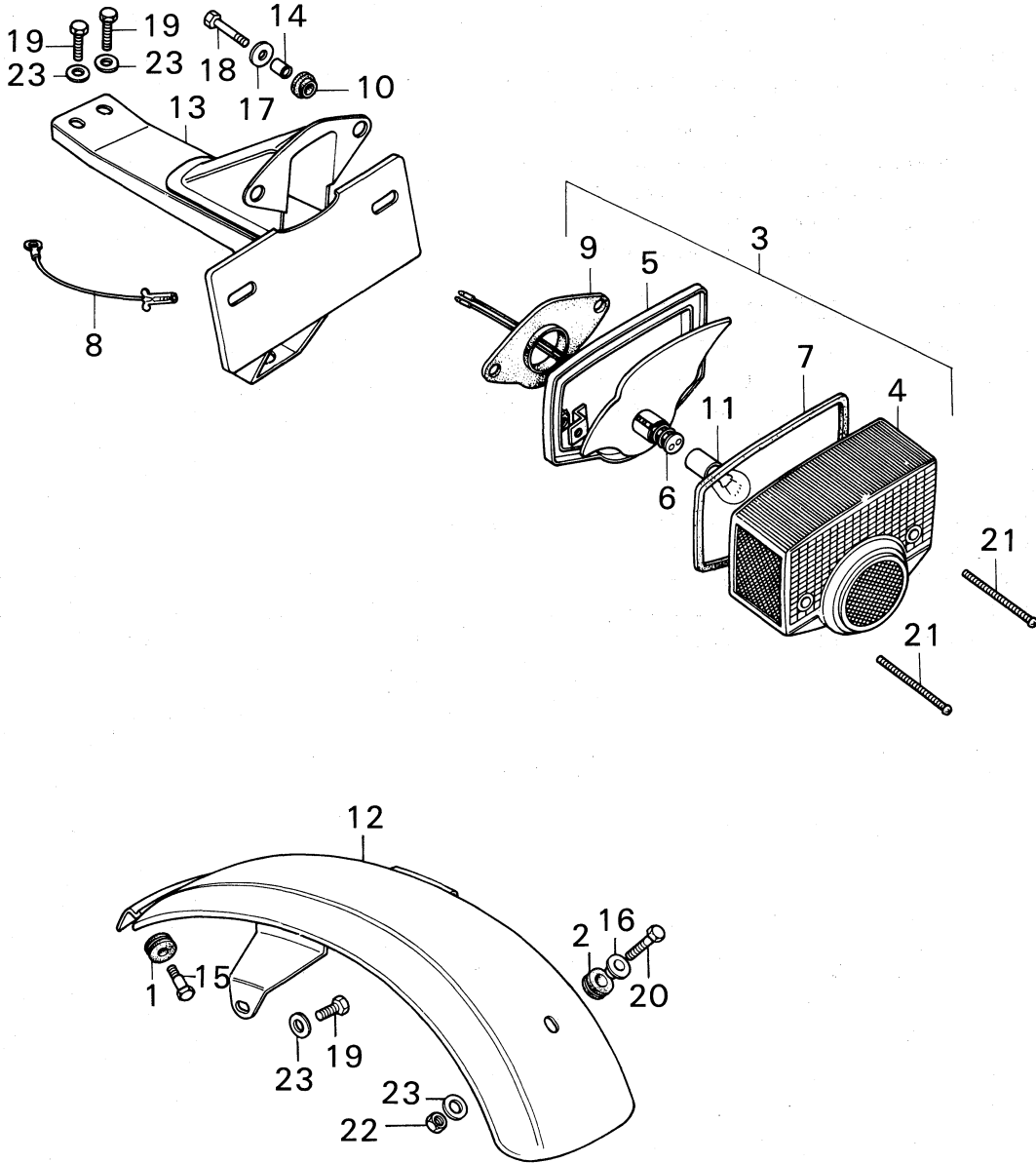
F-12-3 Taillight • Rear Fender (Used for G type)



F-12-3 Taillight • Rear Fender (Used for G types)

Ref. No.	Part No.	Description	Reqd. No.		Serial No.	Area Code
			Z50A	Z50A K2		
1	31403-071-000	RUBBER, REGULATOR CUSHION		2		G
2	32983-011-000	GROMMET, WIRE CORD		1		G
3	33700-045-610	TIALLIGHT ASSY.		1		G
4	33701-051-000	LENS, STOP & TAILLIGHT		1		G
5	33709-051-000	PACKING, TAILLIGHT LENS		1		G
6	33710-051-000	SOCKET COMP., TAILLIGHT		1		G
7	33713-098-610	CORD, STOP LIGHT		1		G
8	33714-098-610	CORD, TAILLIGHT		1		G
9	33715-051-000	LENS, LICENSE		1		G
10	33716-051-000	PLATE, INTERCEPTION		1		G
11	33717-051-010	BOLT, TAILLIGHT SETTING		2		G
12	33741-292-610	REFLECTOR, REFLEX		1		G
13	80100-045-610XW	FENDER COMP., RR.		1		G
14	80102-045-000	PLUG, CORN		1		G
15	84700-045-610B	BRACKET, NUMBER PLATE		1		G
16	84705-098-610	BRACKET, REFLEX REFLECTOR 84705-107-610		1		G
	84705-107-610	BRACKET, REFLEX REFLECTOR		1		G
17	90157-001-000	BOLT, WINKER RELAY SETTING		2		G
18	90563-045-000	WASHER, NUMBER BRACKET MOUNT		1		G
19	92000-06012	BOLT, HEX., 6X12		4		G
20	92000-06020	BOLT, HEX., 6X20		1		G
21	93500-03045-0B	SCREW, PAN, 3X45		2		G
22	94001-05000-0S	NUT, HEX., 5MM		1		G
23	94001-06000	NUT, HEX., 6MM		1		G
24	94101-06000	WASHER, PLAIN, 6MM		5		G
25	94111-05000	WASHER, SPRING, 5MM		1		G

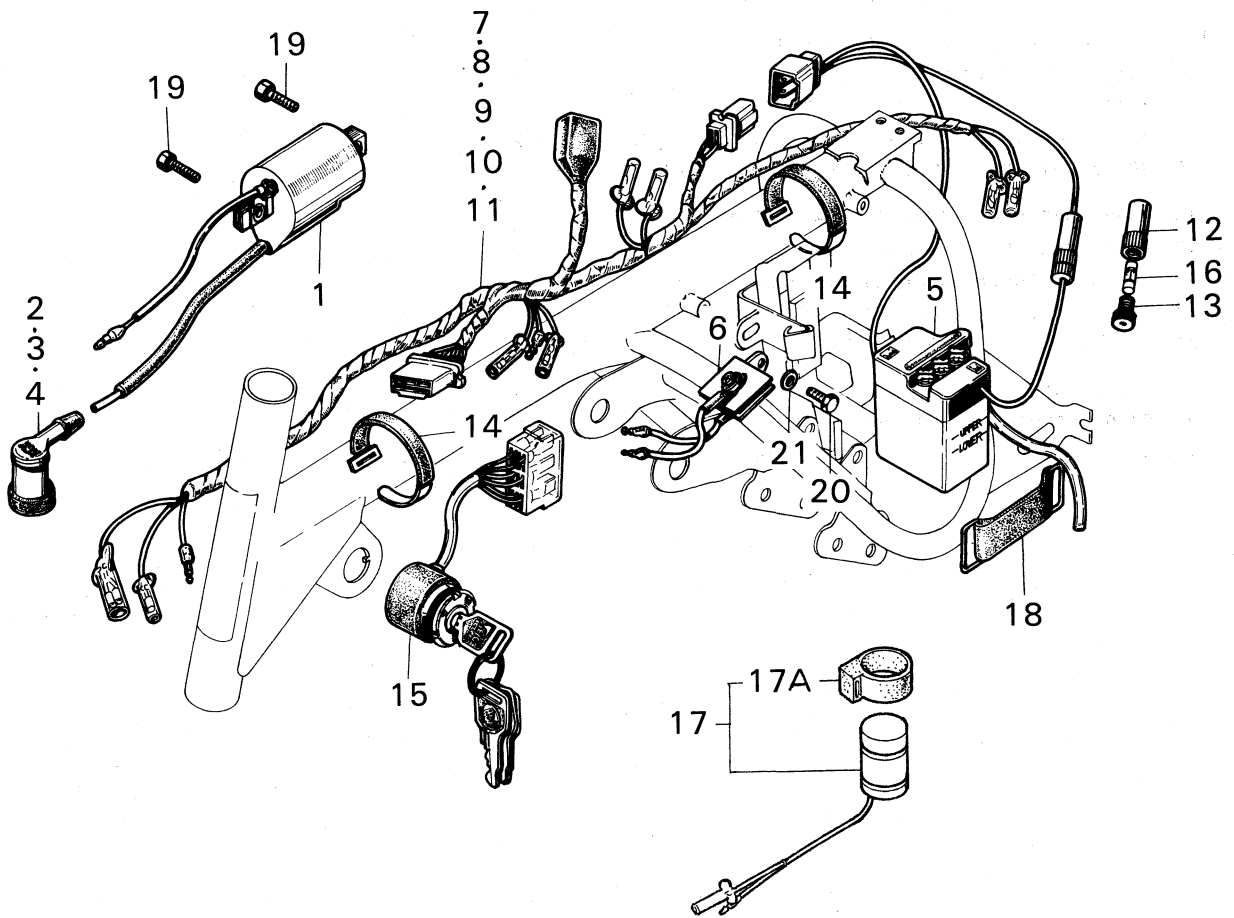
F-12-4 Taillight • Rear Fender (Used for F type)



F-12-4 Taillight • Rear Fender (Used for F type)

Ref. No.	Part No.	Description	Reqd. No.		Serial No.	Area Code
			Z50A	Z50A K2		
1	31403-071-000	RUBBER, REGULATOR CUSHION		2		F
2	32983-011-000	GROMMET, WIRE CORD		1		F
3	33701-045-620	TAILLIGHT UNIT		1		F
4	33702-323-603	LENS, TAILLIGHT		1		F
	33702-323-604	LENS, TAILLIGHT		1		F
5	33703-077-671	BASE COMP., TAILLIGHT		1		F
6	33708-077-671	CORD COMP., TAILLIGHT		1		F
7	33709-077-671	PACKING, TAILLIGHT LENS		1		F
8	33713-130-770	SUB CORD, TAILLIGHT		1		F
9	33718-077-671	PACKING A, TAILLIGHT BASE		1		F
10	33719-077-671	PACKING B, TAILLIGHT BASE		2		F
11	34906-045-000	BULB, TAILLIGHT		1		F
12	80100-045-673XW	FENDER COMP., RR.		1		F
13	84700-045-620B	BRACKET, NUMBER PLATE		1		F
14	84706-286-000	COLLAR, NUMBER BRACKET SETTING		2		F
15	90157-001-000	BOLT, WINKER RELAY SETTING		2		F
16	90563-045-000	WASHER, NUMBER BRACKET MOUNTING		1		F
17	90581-342-000	WASHER, 20MM		2		F
18	92000-05020-0A	BOLT, HEX., 5X20		2		F
19	92000-06012	BOLT, HEX., 6X12		4		F
20	92000-06020	BOLT, HEX., 6X20		1		F
21	93500-04050-4J	SCREW, PAN, 4X50		2		F
22	94001-06000	NUT, HEX., 6MM		1		F
23	94101-06000	WASHER, PLAIN, 6MM		5		F

F-13 Wire Harness • Battery



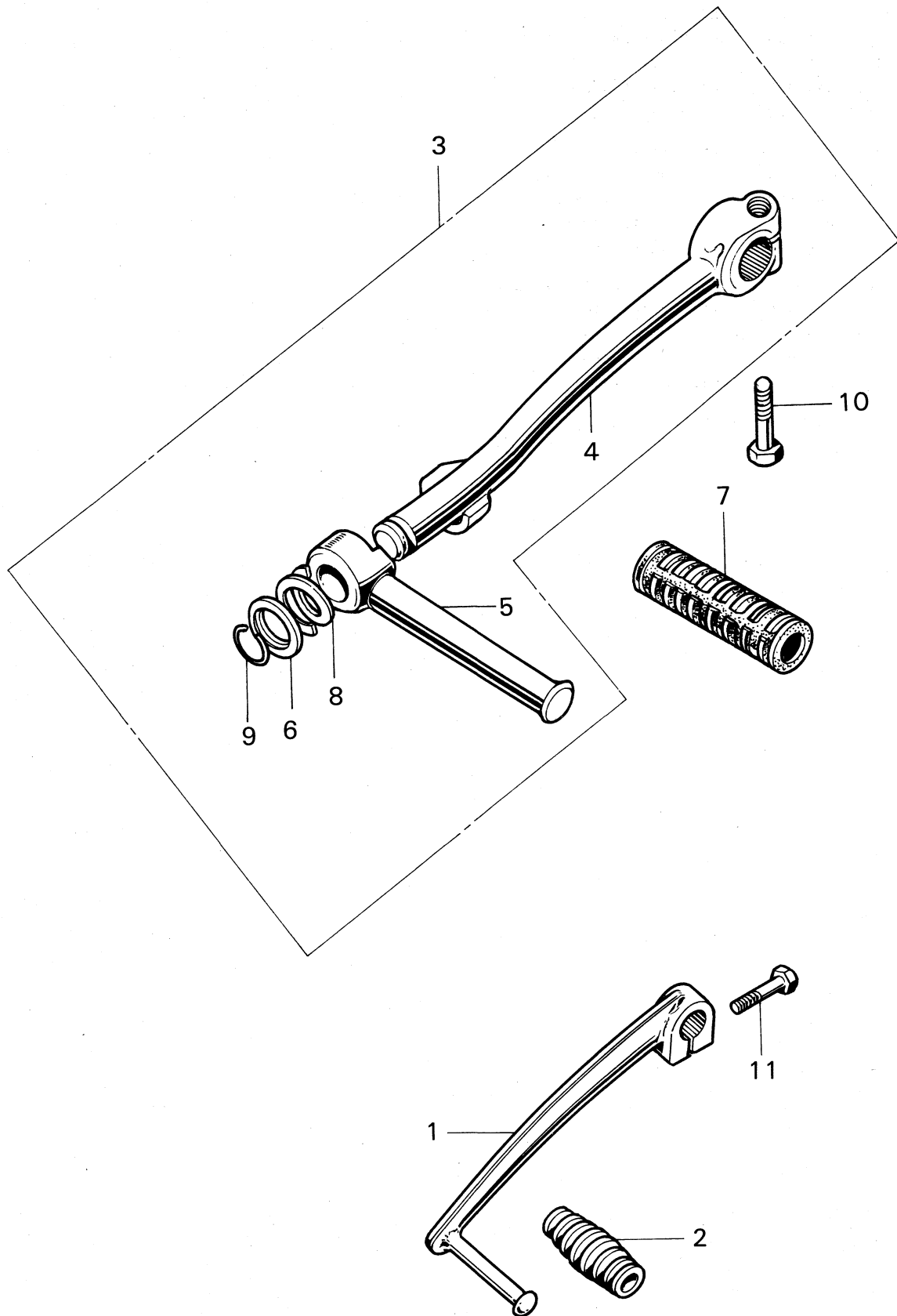
F-13 Wire Harness • Battery

Ref. No.	Part No.	Description	Reqd. No.		Serial No.	Area Code
			Z50A	Z50A K2		
1	30400-045-020	COIL ASSY., IGNITION 30400-045-035	1		183602	
	30400-045-035	COIL ASSY., IGNITION	1	1	183603	
2	30700-063-681	CAP ASSY., NOISE SUPPRESSOR	1			F,G,S
3	30700-259-600	CAP ASSY., NOISE SUPPRESSOR 30700-243-610	1	1		B,D,E,U
4	30700-259-810	CAP ASSY., NOISE SUPPRESSOR	1	1		A
5	31500-045-650	BATTERY ASSY. (6V 2AH)	1			U
	31500-045-671	BATTERY ASSY. (6V 2AH)	1		120088	A
6	31700-045-671	RECTIFIER ASSY. 31700-098-921	1	1	120088	A U
7	32100-045-670	HARNESS, WIRE	1		120088	A
	32100-045-671	HARNESS, WIRE	1			A
8	32100-045-690	HARNESS, WIRE 32100-045-691	1		398417	U
	32100-045-691	HARNESS, WIRE	1		398418	U
9	32100-045-700	HARNESS, WIRE 32100-045-701	1	1	398417	D,E D,E
	32100-045-701	HARNESS, WIRE	1		398418	D,E
10	32100-045-730	HARNESS, WIRE 32100-045-731	1	1	398417	F B
	32100-045-731	HARNESS, WIRE	1		398418	F
11	32100-045-740	HARNESS, WIRE 32100-045-741	1		398417	G,S
	32100-045-741	HARNESS, WIRE	1		398418	G,S
12	32106-041-000	CONNECTOR A, FUSE	1	1	120088	A U
13	32112-041-000	CONNECTOR B, FUSE	1	1	120088	A U
14	32161-001-000	BAND, WIRE HARNESS 95014-61300	1	2	120088	120087 A A D,E
			2			382794 B,D,E,F,G,S,U 382794 A
	95014-61300	BAND A3, WIRE	3	2	382795	A B,D,E,F,G,S,U
			2		382795	
15	36100-045-671	SWITCH ASSY., STARTING	1		120087	A
	35100-045-671	SWITCH, MAIN	1		120088	A
	35100-045-601	SWITCH ASSY., COMBINATION	1	1		D,E A,G,S
	35100-045-650	SWITCH, MAIN	1			U
	35100-045-622	SWITCH, MAIN	1			B,F
16	38201-001-000	FUSE (7A) 98200-10700	1	1	120088	382794 A U
	98200-10700	FUSE A (7A)	1		382795	U
17	38300-098-000	RELAY ASSY., WINKER	1			U
17A	38306-292-000	SUSPENSION, WINKER RELAY	1			U
18	50382-045-670	BAND, BATTERY	1	1	120088	A U
19	92000-05020-0A	BOLT, HEX., 5X20	2	2		
20	92000-06012	BOLT, HEX., 6X12	1	1	120088	A U
21	94101-06000	WASHER, PLAIN, 6MM	1	1	120088	A U

F-14 Winker (Used for U type)

Ref. No.	Part No.	Description	Reqd. No.		Serial No.	Area Code
			Z50A	Z50A K2		
1	33400-098-000	WINKER ASSY., R. FR.		1		U
2	33406-081-156	PACKING, WINKER LENS		4		U
3	33415-044-821	LENS, FR. WINKER		4		U
4	33417-044-821	SPRING, WINKER CONTACT		4		U
5	33450-098-000	WINKER ASSY., L. FR.		1		U
6	33600-045-690	WINKER ASSY., R. RR.		1		U
7	33611-098-010	BASE COMP., R. RR. WINKER		2		U
8	33620-045-690	CORD, R. RR. WINKER		1		U
9	33620-098-000	CORD, R. RR. WINKER		1		U
10	33650-045-690	WINKER ASSY., L. RR.		1		U
11	33661-098-010	BASE COMP., L. RR. WINKER		2		U
12	33670-045-690	CORD, L. RR. WINKER		1		U
13	33670-098-000	CORD COMP., L. RR. WINKER		1		U
14	34905-001-000	BULB, WINKER (6V 8W)		4		U
15	92000-06012	BOLT, HEX., 6X12		4		U
16	94101-06000	WASHER, PLAIN, 6MM		4		U

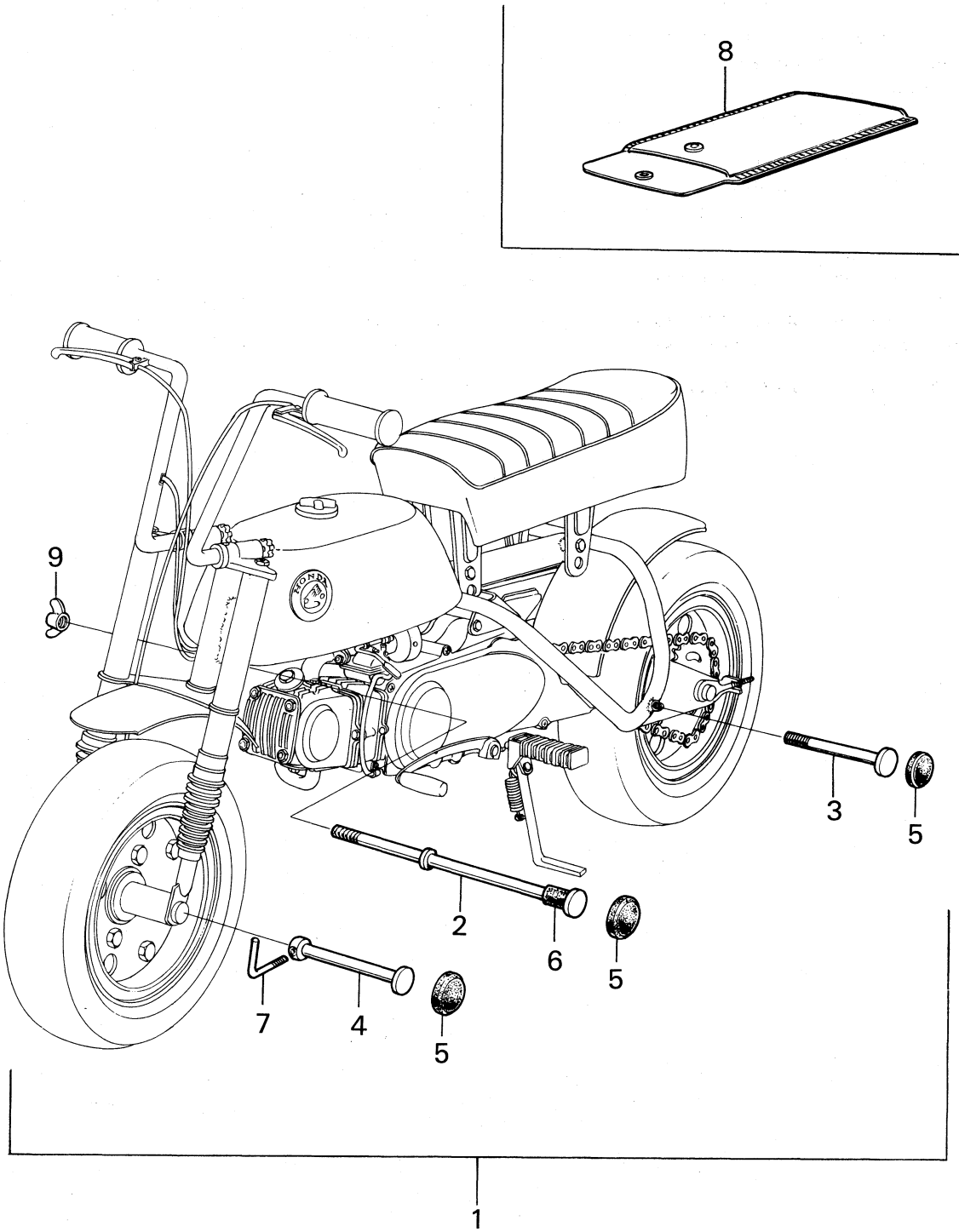
F-15 Change Pedal • Kick Starter Arm



F-15 Change Pedal • Kick Starter Arm

Ref. No.	Part No.	Description	Reqd. No.		Serial No.	Area Code
			Z50A	Z50A K2		
1	24700-045-670	PEDAL, GEAR CHANGE	1			
	24700-098-670	PEDAL, GEAR CHANGE	1	1		
2	24781-205-000	RUBBER, GEAR CHANGE PEDAL 95011-40000	1			
	95011-40000	RUBBER, CHANGE PEDAL	1	1	382795	
3	28300-033-000	ARM ASSY., KICK STARTER	1	1		
4	28301-053-000	ARM, KICK STARTER	1	1		
5	28302-033-000	PEDAL, KICK STARTER	1	1		
6	28303-001-000	WASHER, KICK STARTER KNUCKLE	1	1		
7	28311-001-000	RUBBER, KICK STARTER	1	1		
8	28322-001-000	SPRING, KICK STARTER KNUCKLE	1			382794
	28305-001-000	SPRING, KICK STARTER KNUCKLE	1	1	382795	
9	28324-001-000	CLIP, KICK STARTER KNUCKLE	1			382794
	28304-001-000	CLIP, KICK STARTER KNUCKLE	1	1	382795	
10	92000-06020	BOLT, HEX., 6X20	1	1		
11	92000-06022	BOLT, HEX., 6X22	1	1		

FOP-1 Support Stand Set



FOP-1 Support Stand Set

Ref. No.	Part No.	Description	Reqd. No.		Serial No.	Area Code
			Z50A	Z50A K2		
1	06880-045-000	ACCESSORY SET, SUPPORT	(1)	(1)		
2	88801-045-810	STAND, FRAME SUPPORT	(1)	(1)		
3	88802-045-810	STAND, RR. SUPPORT	(1)	(1)		
4	88803-045-810	STAND, FR. SUPPORT	(1)	(1)		
5	88804-045-810	RUBBER A, SUPPORT STAND	(3)	(3)		
6	88805-045-810	RUBBER B, SUPPORT STAND	(1)	(1)		
7	88806-045-810	PIN, SUPPORT STAND	(1)	(1)		
8	88807-045-810	BAG, SUPPORT STAND	(1)	(1)		
9	88808-045-810	NUT, FRAME SUPPORT	(1)	(1)		

PART NO. INDEX

Part No.	Block	Part No.	Block	Part No.	Block
06000		14321-035-010	E-4	16012-045-670	E-12
06880-045-000	FDP-1	14401-035-000	E-4-1	16013-045-004	E-12
11000		14401-035-000	E-4	16013-064-004	E-12-1
11100-045-000	E-5	14431-035-000	E-4-1	16014-045-004	E-12
11100-045-010	E-5	14431-035-000	E-3	16014-045-610	E-12-1
11191-035-050	E-5	14451-035-000	E-3	16015-045-610	E-12-1
11200-045-050	E-5	14500-035-010	E-4	16015-045-670	E-12
11200-120-000	E-5	14502-035-010	E-4-1	16016-045-014	E-12
11330-045-010	E-7	14502-086-000	E-4	16016-045-610	E-12-1
11341-045-020	E-11	14531-035-000	E-4-1	16022-045-600	E-12
11341-045-030	E-11	14541-035-010	E-4	16022-045-610	E-12-1
11341-120-010	E-11	14541-086-010	E-4-1	16100-045-610	E-12-1
11394-035-010	E-7	14542-086-000	E-4	16100-045-670	E-12
11926-020-000	E-10	14550-086-010	E-4-1	16100-045-671	E-12
12000		14551-035-020	E-4	16118-045-770	E-12
12021-035-811	E-3	14561-086-010	E-4-1		E-12-1
12023-051-310	E-3	14562-086-000	E-4-1	16139-045-004	E-12
12023-051-320	E-3	14566-035-000	E-4	16139-045-014	E-12
12101-041-030	E-1	14566-086-030	E-4-1	16194-045-004	E-12
12191-035-020	E-1	14591-028-000	E-4	16201-045-000	E-1
12191-118-670	E-1	14610-035-010	E-4	16202-045-720	F-6
12200-041-020	E-1	14610-086-000	E-4-1	16211-045-010	E-1
12200-041-030	E-1	14615-035-000	E-4	16236-045-000	E-5
12251-036-010	E-1	14670-035-030	E-4-1	16236-045-010	E-5
12301-035-000	E-1	14675-035-060	E-4	16950-044-004	F-4
12331-035-000	E-1	14711-036-000	E-4-1	16950-045-005	F-4
12341-035-000	E-1	14721-036-000	E-3	16952-081-005	F-4
12361-035-000	E-1	14730-028-013	E-3	16953-044-004	F-4
12391-035-000	E-1	14731-028-000	E-3	16953-081-005	F-4
12394-035-000	E-1	14751-035-600	E-3	16954-045-005	F-4
12395-035-000	E-1	14761-035-000	E-3	16955-268-020	F-4
13000		14771-035-600	E-3	16956-028-004	F-4
13000-041-030	E-2	14776-028-000	E-3	16958-044-004	F-4
13010-036-000	E-2	14781-001-010	E-3	16958-081-015	F-4
13020-036-000	E-2	15000		16960-044-004	F-4
13030-036-000	E-2	15119-035-020	E-7	16962-044-004	F-4
13040-036-000	E-2	15300-035-000	E-7	16962-081-005	F-4
13050-036-000	E-2	15311-035-000	E-7	16963-044-004	F-4
13101-036-010	E-2	15311-035-013	E-7	16997-044-004	F-4
13102-036-010	E-2	15321-035-000	E-7	17000	
13103-036-010	E-2	15329-035-000	E-7	17111-045-040	E-1
13104-036-010	E-2	15331-035-000	E-7	17111-045-720	E-1
13105-036-010	E-2	15332-035-000	E-7	17211-045-650	F-6
13111-036-000	E-2	15382-035-000	E-7	17211-045-670	F-6
13115-001-000	E-2	15383-035-000	E-7	17211-098-670	F-6
13201-036-000	E-2	15421-035-010	E-5	17212-045-010	F-6
13211-035-000	E-2	15650-051-690	E-7	17213-045-670	F-6
13310-035-050	E-2	15650-098-730	E-7	17221-045-650	F-6
13321-041-020	E-2	15761-045-000	E-5	17221-045-670	F-6
13381-035-010	E-2	16000		17221-045-720B	F-6
14000		16010-045-610	E-12-1	17230-045-000	F-6
14101-041-010	E-3	16010-045-670	E-12	17231-045-030	F-6
14101-041-020	E-3	16011-045-004	E-12	17231-045-670	F-6
14311-035-000	E-2	16012-045-610	E-12-1	17252-045-300	F-6
				17255-045-670	F-6
				17255-045-690	F-6
				17500-045-030Z	F-4
				17500-045-040Z	F-4
				17500-045-670BR	F-4
				17500-045-670BV	F-4
				17500-045-670BW	F-4

PART NO. INDEX

PART NO. INDEX

Part No.	Block	Part No.	Block	Part No.	Block
17500-045-670BZ	F-4	22310-041-010	E-6	24700-045-670	F-15
17500-045-670CJ	F-4	22321-041-000	E-6	24700-098-670	F-15
17500-045-671CR	F-4	22331-041-000	E-6	24781-205-000	F-15
17500-045-671CU	F-4	22351-040-060	E-6		
17500-045-671DQ	F-4	22351-040-070	E-6	25000	
17500-045-671Z	F-4	22351-040-080	E-6		
17611-045-020	F-4	22401-040-010	E-6	25551-040-007	E-6
17611-045-670	F-4	22411-041-000	E-6	25551-918-000	E-6
17613-045-000	F-4	22421-040-000	E-6	25555-065-000	E-6
17620-045-010	F-4	22811-040-020	E-6		
17620-045-670	F-4	22820-046-000	E-6	28000	
17631-001-000	F-4	22820-918-000	E-6		
17631-045-000	F-4	22825-046-000	E-6	28211-040-035	E-9
17670-045-670	F-4	22830-041-000	E-7	28223-035-035	E-9
17910-045-670	F-1	22846-040-010	E-7	28251-035-065	E-9
17910-045-671	F-1	22860-041-000	E-6	28262-035-020	E-9
17910-045-690	F-1	22901-001-000	E-6	28281-035-010	E-9
17911-023-000	F-1	22901-040-000	E-6	28300-033-000	F-15
	F-12-1	22911-035-010	E-2	28301-053-000	F-15
18000		23000		28302-033-000	F-15
				28303-001-000	F-15
18231-041-300	F-7	23110-036-000	E-6	28304-001-000	F-15
18233-040-010	F-7	23110-036-010	E-6	28305-001-000	F-15
18240-045-030	F-7	23110-087-000	E-6	28311-001-000	F-15
18240-045-670	F-7	23110-098-740	E-6	28322-001-000	F-15
18241-045-000	F-7	23112-041-010	E-6	28324-001-000	F-15
18291-001-010	F-7	23112-041-030	E-6		
18292-290-000	F-7	23112-041-040	E-6	30000	
18310-045-620	F-7	23120-036-010	E-6		
18310-045-671	F-7	23120-041-000	E-6	30202-041-015	E-11
18310-045-700	F-7	23211-041-020	E-8	30205-041-005	E-11
18310-045-720	F-7	23221-041-040	E-8	30250-035-005	E-11
18311-045-671	F-7	23421-076-000	E-8	30250-041-005	E-11
18314-045-610	F-7	23431-041-040	E-8	30400-045-020	F-13
18314-045-670	F-7	23441-041-060	E-8	30400-045-035	F-13
18320-045-670	F-7	23471-041-040	E-8	30540-041-005	E-11
18320-045-671	F-7	23481-041-020	E-8	30540-045-670	E-11
18360-045-670C	F-7	23800-045-000	E-8	30540-045-672	E-11
18360-045-670XB	F-7	23800-045-670	E-8	30540-045-761	E-11
18360-045-670Z	F-7	23800-045-671	E-8	30700-063-681	F-13
18360-045-671AA	F-7	23802-041-000	E-8	30700-259-600	F-13
18360-045-671AB	F-7	23802-065-305	E-8	30700-259-810	F-13
18360-045-671BY	F-7	23911-041-010	E-8		
18360-045-671C	F-7			31000	
18360-045-671CM	F-7	24000			
18360-045-671CN	F-7			31100-045-603	E-11
18360-045-671XB	F-7	24211-041-000	E-10	31100-045-604	E-11
18360-045-671Z	F-7	24221-041-000	E-10	31100-045-650	E-11
18371-045-000	F-7	24261-028-010	E-10	31100-045-651	E-11
18391-045-000	F-7	24263-028-000	E-10	31100-045-670	E-11
		24301-045-670	E-10	31100-045-671	E-11
22000		24411-041-020	E-10	31100-045-672	E-11
		24421-041-000	E-10	31100-045-673	E-11
22101-040-010	E-6	24430-041-000	E-10	31100-045-761	E-11
22101-040-030	E-6	24435-040-000	E-10	31100-045-762	E-11
22111-040-000	E-6	24610-040-020	E-9	31121-045-005	E-11
22119-040-000	E-6	24610-098-730	E-9	31121-045-015	E-11
22120-040-010	E-6	24630-040-040	E-9	31141-045-603	E-11
22120-040-020	E-6	24630-086-000	E-9	31141-045-670	E-11
22120-040-030	E-6	24641-041-000	E-9	31141-045-671	E-11
22131-035-020	E-6	24651-041-000	E-9	31141-045-672	E-11
22201-040-000	E-6	24652-035-000	E-9	31141-045-721	E-11
				31141-045-761	E-11

PART NO. INDEX

Part No.	Block	Part No.	Block	Part No.	Block
31141-045-762	E-11	33128-292-670	F-11	34902-044-670	F-11
31141-120-760	E-11	33130-045-620	F-11-2	34903-382-621	F-11-2
31403-071-000	F-12	33130-051-023	F-11-2	34905-001-000	F-14
	F-12-1	33130-063-670	F-11	34906-030-010	F-12-1
	F-12-2	33130-286-622	F-11-2	34906-041-670	F-12
	F-12-3	33158-045-601	F-11-1	34906-045-000	F-12-4
	F-12-4	33400-098-000	F-14	34906-202-830	F-12-2
31500-045-650	F-13	33406-081-156	F-14	34908-001-000	F-11-1
31500-045-671	F-13	33415-044-821	F-14		F-11-2
31631-045-005	E-11	33417-044-821	F-14	34908-230-000	F-11
31631-045-671	E-11	33450-098-000	F-14		
31631-045-672	E-11	33600-045-690	F-14	35000	
31631-045-761	E-11	33611-098-010	F-14		
31700-045-671	F-13	33620-045-690	F-14	35100-045-601	F-13
		33620-098-000	F-14	35100-045-622	F-13
32000		33650-045-690	F-14	35100-045-650	F-13
		33661-098-010	F-14	35100-045-671	F-13
32100-045-670	F-13	33670-045-690	F-14	35250-045-671	F-1
32100-045-671	F-13	33670-098-000	F-14	35250-045-730	F-1
32100-045-690	F-13	33700-045-610	F-12-3	35300-045-700	F-1
32100-045-691	F-13	33700-045-700	F-12-2	35300-098-000	F-1
32100-045-700	F-13	33701-045-620	F-12-4	35300-098-671	F-1
32100-045-701	F-13	33701-045-650	F-12-1	35316-259-300	F-1
32100-045-730	F-13	33701-051-000	F-12-3	35350-045-720	F-10
32100-045-731	F-13	33701-074-670	F-12	35357-045-720	F-10
32100-045-740	F-13	33701-268-600	F-12-2	35358-045-720	F-10
32100-045-741	F-13	33702-045-690	F-12-1	35755-001-020	E-10
32103-045-620	F-2	33702-074-671	F-12		
32106-041-000	F-13	33702-323-603	F-12-4	36000	
32112-041-000	F-13	33702-323-604	F-12-4		
32161-001-000	F-13	33703-045-000	F-12-2	36100-045-671	F-13
32971-035-000	E-11	33703-074-671	F-12		
32971-045-670	E-11		F-12-1	37000	
32981-035-000	E-11	33703-077-671	F-12-4		
32983-011-000	F-12	33705-045-000	F-12-2	37200-045-000	F-11-1
	F-12-1	33708-077-671	F-12		F-11-2
	F-12-2		F-12-4	37200-045-601	F-11-1
	F-12-3	33709-051-000	F-12-3	37203-045-000	F-11-1
	F-12-4	33709-074-671	F-12		F-11-2
33000			F-12-1	37244-045-000	F-11-1
		33709-077-671	F-12-4		F-11-2
		33709-268-810	F-12-2	37550-044-671	F-11
33100-045-601	F-11-1	33710-051-000	F-12-3	37551-044-670	F-11
33100-045-620	F-11-2	33713-098-610	F-12-3		
33100-051-023	F-11-2	33713-130-770	F-12-4	38000	
33100-051-740	F-11-2	33714-098-610	F-12-3		
33100-063-670	F-11	33715-051-000	F-12-3	38100-045-010	F-2
33100-230-622	F-11-2	33716-051-000	F-12-3	38100-045-692	F-2
33101-045-601	F-11-1	33717-051-010	F-12-3	38100-045-730	F-2
33101-063-670	F-11	33718-077-671	F-12-4	38101-032-300	F-2
33101-230-621	F-11-2	33719-074-670	F-12	38102-032-300	F-2
33101-237-600	F-11-2		F-12-1	38103-045-620	F-2
33102-041-670	F-11	33719-077-671	F-12-4	38201-001-000	F-13
33107-001-003	F-11	33741-045-671	F-2	38300-098-000	F-13
33108-045-601	F-11-1	33741-292-610	F-12-3	38306-292-000	F-13
33108-051-000	F-11-2	33744-045-670	F-2		
33115-051-023	F-11-2			40000	
33117-041-003	F-11	34000			
33120-051-023	F-11-2			40510-045-670XW	F-6
33120-063-670	F-11	34901-001-671	F-11	40530-045-670	F-9
33120-230-621	F-11-2	34901-030-600	F-11-2	40530-045-671	F-9
33121-045-601	F-11-1	34901-045-601	F-11-1	40530-045-811	F-9
33125-292-670	F-11	34901-351-621	F-11-2	40530-045-820	F-9

PART NO. INDEX

Part No.	Block	Part No.	Block	Part No.	Block
40531-045-010	F-9	44711-045-672	F-8	50100-045-672Z	F-6
40531-045-671	F-9		F-9	50100-045-673AA	F-6
40543-032-000	F-9	44711-045-673	F-8	50100-045-673AB	F-6
			F-9	50100-045-673XB	F-6
41000		44711-045-674	F-8	50100-045-673Z	F-6
			F-9	50100-045-674AA	F-6
41201-045-670	F-9	44712-045-670	F-8	50100-045-674AB	F-6
41201-045-671	F-9		F-9	50100-045-674XB	F-6
41201-045-672	F-9	44800-045-690	F-8	50100-045-674Z	F-6
41201-045-673	F-9	44800-045-691	F-8	50100-045-675AA	F-6
41201-045-811	F-9	44830-045-700	F-11-1	50100-045-675AB	F-6
41201-045-820	F-9	44830-045-730	F-11-2	50100-045-675XB	F-6
41201-045-821	F-9	44831-045-700	F-11-1	50100-045-675Z	F-6
41209-032-000	F-9	44831-045-730	F-11-2	50100-045-677BY	F-6
				50100-045-677CM	F-6
42000		45000		50100-045-677CN	F-6
				50100-045-677Z	F-6
42301-045-000	F-9	45100-045-020	F-8	50100-045-700AA	F-6
42301-045-010	F-9		F-9	50100-045-700XB	F-6
42311-045-000	F-9	45120-001-010	F-8	50100-045-700Z	F-6
42601-045-670	F-9		F-9	50100-045-701AA	F-6
42601-045-671	F-9	45131-045-000	F-8	50100-045-701AB	F-6
42601-045-672	F-9	45131-045-010	F-8	50100-045-701BY	F-6
42601-045-673	F-9	45133-028-000	F-8	50100-045-701CM	F-6
42601-120-000	F-9		F-9	50100-045-701CN	F-6
42620-045-010	F-9	45410-045-670	F-8	50100-045-701XB	F-6
42620-045-020	F-9	45436-001-000	F-8	50100-045-701Z	F-6
42701-045-670AU	F-8		F-9	50100-045-740CM	F-6
	F-9	45437-001-000	F-1	50100-045-740CN	F-6
42701-045-670S	F-8	45450-045-670	F-1	50301-044-020	F-2
	F-9	45450-045-671	F-1	50301-045-670	F-2
42702-045-670AU	F-8	45450-045-672	F-1	50380-045-670B	F-6
	F-9	45450-045-700	F-1	50380-045-671B	F-6
42702-045-670S	F-8	45450-045-701	F-1	50380-045-720B	F-6
	F-9	45461-001-000	F-1	50381-045-000	F-6
			F-10	50382-045-670	F-13
43000		45462-028-000	F-1	50542-045-010	F-5
			F-10	50610-045-670	F-5
43141-045-000	F-9			50615-045-670	F-5
43410-045-670	F-9	46000		50701-024-010	F-5
43412-045-670	F-9			50701-045-670	F-5
43450-045-000	F-10	46500-045-671	F-10	50712-024-000	F-5
43450-045-010	F-10	46506-045-720	F-10	50715-024-000	F-5
43450-045-670	F-1	46514-045-720	F-10	50731-024-000	F-5
43450-045-672	F-1				
43450-045-673	F-1	50000		51000	
43451-045-671	F-10				
43452-045-671	F-10	50100-045-610BY	F-6	51400-045-670	F-3
43458-045-670	E-7	50100-045-610CM	F-6	51450-045-670	F-3
43472-212-000	F-10	50100-045-610CN	F-6	51460-045-670	F-3
43473-045-670	F-10	50100-045-611BY	F-6	51500-045-670	F-3
		50100-045-611CM	F-6	51501-045-670	F-3
44000		50100-045-611CN	F-6	51502-045-670	F-3
		50100-045-622BY	F-6	51503-064-010	F-3
44301-045-000	F-8	50100-045-622CM	F-6	51504-064-020	F-3
44301-045-010	F-8	50100-045-650BY	F-6	51505-064-010B	F-3
44311-045-670	F-8	50100-045-650CM	F-6	51506-064-020	F-3
44600-045-670	F-8	50100-045-650CN	F-6	51510-045-610BY	F-2
44600-045-671	F-8	50100-045-671C	F-6	51510-045-610CM	F-2
44600-045-672	F-8	50100-045-671XB	F-6	51510-045-610CN	F-2
44620-045-010	F-8	50100-045-671Z	F-6	51510-045-620BY	F-2
44620-045-020	F-8	50100-045-672C	F-6	51510-045-620CM	F-2
44711-045-671	F-8	50100-045-672XB	F-6	51510-045-670C	F-2
	F-9				

PART NO. INDEX

Part No.	Block	Part No.	Block	Part No.	Block
51510-045-670XB	F-2	53746-045-010	F-1	84700-045-650B	F-12-1
51510-045-670Z	F-2			84700-045-670B	F-12
51510-045-671AA	F-2	61000		84700-045-671B	F-12
51510-045-671AB	F-2			84700-045-700B	F-12-2
51510-045-671BY	F-2	61100-045-670AU	F-2	84701-045-700B	F-2
51510-045-671CM	F-2	61100-045-670XW	F-2	84705-098-610	F-12-3
51510-045-671CN	F-2	61100-045-671XW	F-2	84705-107-610	F-12-3
51510-045-671XB	F-2	61301-045-600AA	F-11-1	84706-286-000	F-12-4
51510-045-671Z	F-2	61301-045-600AB	F-11-1		
51510-045-690BY	F-2	61301-045-600BY	F-11-1	87000	
51510-045-690CM	F-2	61301-045-600CM	F-11-1		
51510-045-690CN	F-2	61301-045-600CN	F-11-1	87121-045-000	F-4
51510-045-700AA	F-2	61301-045-600XB	F-11-1	87121-045-670	F-4
51510-045-700AB	F-2	61301-045-600Z	F-11-1	87121-045-690	F-4
51510-045-700BY	F-2	61301-045-733BY	F-11-2	87121-051-693	F-4
51510-045-700CM	F-2	61301-045-733CM	F-11-2	87122-045-670	F-4
51510-045-700CN	F-2	61301-045-733CN	F-11-2	87122-051-693	F-4
51510-045-700XB	F-2	61301-045-735BY	F-11-2	87125-001-600	F-6
51510-045-700Z	F-2	61301-045-735CM	F-11-2	87125-041-680	F-6
51510-045-730BY	F-2	61301-045-735CN	F-11-2	87131-045-670	F-6
51510-045-730CM	F-2	61301-063-670AA	F-11	87311-516-000	F-4
51510-045-730CN	F-2	61301-063-670AB	F-11	87501-045-610	F-6
51526-064-000	F-3	61301-063-670BY	F-11	87501-045-611	F-6
51620-045-670	F-3	61301-063-670CM	F-11	87504-045-010	F-4
		61301-063-670CN	F-11	87504-045-670	F-4
53000		61301-063-670XB	F-11	87504-045-671	F-4
		61301-063-670Z	F-11	87505-045-010	F-4
53110-045-670	F-1	61302-268-020	F-11-1	87505-045-670	F-7
53110-045-671	F-1	61303-045-670	F-11	87506-045-000	F-7
53110-045-690	F-1	61402-045-670	F-11	87506-045-650	F-12-1
53110-045-700	F-1	61402-045-671	F-11	87508-120-000	F-6
53120-045-610	F-1	61403-045-670	F-11	87560-323-611A	F-4
53120-045-670	F-1			87560-323-611B	F-4
53120-045-671	F-1	77000		87560-323-621A	F-4
53120-045-672	F-1			87560-323-621B	F-4
53120-045-700	F-1	77100-045-670A	F-5	87560-323-670A	F-4
53131-045-670	F-1	77100-045-671A	F-5	87560-323-670B	F-4
53131-045-671	F-1	77135-045-671	F-5		
53131-098-670	F-1			88000	
53141-044-000	F-1	80000			
53141-098-000	F-1			88120-235-000	F-1
53143-045-000	F-1	80100-045-610XW	F-12-3	88120-304-621	F-1
53161-044-000	F-1	80100-045-670AU	F-12	88801-045-810	FOP-1
53162-045-670	F-1	80100-045-671AU	F-12	88802-045-810	FOP-1
53162-098-000	F-1	80100-045-672XW	F-12	88803-045-810	FOP-1
53163-044-000	F-1		F-12-2	88804-045-810	FOP-1
53165-044-010	F-1	80100-045-673XW	F-12	88805-045-810	FOP-1
53165-063-000XL	F-1		F-12-1	88806-045-810	FOP-1
53166-044-010	F-1		F-12-4	88807-045-810	FOP-1
53166-063-000XL	F-1	80102-045-000	F-12-3	88808-045-810	FOP-1
53175-044-010	F-1	80102-283-000	F-6		
53175-045-670	F-1			89000	
53175-063-000XL	F-1	83000			
53178-044-010	F-1			89216-045-000	F-5
53178-045-670	F-1	83650-045-690BY	F-6	89216-045-670	F-5
53178-063-000XL	F-1	83650-045-690CM	F-6	89217-045-670	F-5
53192-268-000	F-10	83650-045-690CN	F-6		
53211-045-010	F-2	83651-045-690B	F-6	90000	
53212-045-020	F-2				
53220-045-670	F-2	84000		90012-200-000	E-3
53741-045-020	F-1			90023-041-000	E-10
53741-045-030	F-1	84700-045-610B	F-12-3	90031-035-010	E-5
53741-045-304	F-1	84700-045-620B	F-12-4	90032-035-000	E-5

PART NO. INDEX

Part No.	Block	Part No.	Block	Part No.	Block
90033-041-000	E-1	90581-342-000	F-12-4		F-12-4
90081-035-000	E-4	90601-001-000	E-6		F-15
90081-086-000	E-4-1		E-8	92000-06022	F-2
90082-035-000	E-1		E-9		F-15
90083-035-000	E-4	90602-041-000	E-6	92000-06025	E-1
90083-035-010	E-4	90605-200-000	E-9		F-8
	E-4-1	90704-035-000	E-5		F-9
90084-041-000	E-8	90741-035-000	E-2	92000-06036	F-11
90101-063-000	F-1	90755-064-013	F-3	92000-06112	E-1
90114-063-000	F-1	90801-035-000	E-10	92000-08016-0A	F-11-1
90128-045-720	F-10	90811-045-000	F-1		F-11-2
90157-001-000	F-12			92000-08016	F-8
	F-12-1	91000			F-9
	F-12-2			92000-08020-0A	F-5
	F-12-3	91001-035-000	E-2	92000-08025	F-9
	F-12-4	91101-001-030	E-2	92000-08098	F-6
90160-045-690	F-6	91102-041-000	E-6	92000-08109	F-6
90170-045-000	F-9	91202-035-000	E-11	92000-10040-0A	F-3
90194-567-000	F-8	91202-216-000	E-7	92020-08111	F-5
	F-9	91203-001-000	E-11	92712-06025-10	E-1
90194-567-010	F-8	91203-035-000	E-8	92800-12000	E-5
	F-9	91251-045-005	F-9		
90206-001-000	E-3	91252-001-020	F-8	93000	
90231-041-000	E-6	91301-035-000	E-11		
90303-045-000	F-2	91301-216-000	E-4-1	93000-10040-0A	F-3
90304-011-000	F-2	91302-001-020	E-1	93500-03005-0A	E-12-1
90304-045-010	F-2	91303-001-000	E-7	93500-03006-0A	F-4
90315-504-000	F-11	91303-035-000	E-1	93500-03006-33	F-11-1
90321-268-000	F-10	91306-028-000	E-3	93500-03008-0A	E-12
90353-045-000	F-8	91306-035-000	E-1	93500-03008	E-12
	F-9	91307-035-000	E-7	93500-03012-0A	F-1
	F-10	91317-703-000	E-11	93500-03045-0B	F-12-3
90353-250-000	F-8			93500-04008-0A	F-6
	F-9	92000		93500-04010-0A	F-12-2
90407-259-000	E-5			93500-04012-0A	E-12-1
90417-041-000	E-10	92000-05008-0A	F-2	93500-04016-0A	F-6
90426-035-000	E-11		F-6	93500-04045-0B	F-12
90431-001-000	E-6	92000-05008-4J	F-7	93500-04050-0B	F-12-1
90441-035-000	E-4	92000-05012-0A	F-12-1	93500-04050-4J	F-12-4
	E-4-1	92000-05020-0A	F-12-4	93500-05004-0A	F-7
90442-035-000	E-1		F-13	93500-05008-0A	E-6
90443-035-000	E-1	92000-06012	F-2		F-7
90451-001-000	E-8		F-6	93500-05008	E-6
90451-035-000	E-8		F-7	93500-05010-0A	E-7
90451-040-000	E-9		F-10	93500-05010	E-7
90461-001-000	E-8		F-12	93500-05012-0A	F-11
90481-035-000	E-4		F-12-1		F-11-1
	E-4-1		F-12-2		F-11-2
90482-035-025	E-9		F-12-3		F-12
90483-040-000	E-6		F-12-4	93500-05016-0A	F-6
90484-045-010	E-10		F-13	93500-05045-0A	F-6
90485-040-000	E-7		F-14	93500-06008	F-6
90503-011-000	F-2	92000-06014	F-6	93500-06010	E-1
90525-001-000	F-8	92000-06016	E-7	93500-06012	E-10
	F-9		E-10		F-6
90526-268-000	F-10	92000-06018	F-7	93500-06020	E-11
90529-045-670	F-9	92000-06020	E-1	93500-06036	E-11
90529-045-671	F-9		E-7	93500-06038	E-7
90552-001-000	F-9		F-2	93500-06048	E-5
90563-045-000	F-12		F-12	93500-06060	E-5
	F-12-1		F-12-1	93500-06065	E-5
	F-12-2		F-12-2		E-7
	F-12-3		F-12-3	93500-06130-02	F-6
	F-12-4				

PART NO. INDEX

Part No.	Block	Part No.	Block	Part No.	Block
93600-05010-0A	E-6	94111-03000	E-12	98000	
93600-05010	E-6		E-12-1		
93600-06016	E-10		F-1	98056-56711	E-3
	E-11		F-11-1	98056-56721	E-3
93700-03008-0B	F-4	94111-04000	E-12-1	98200-10700	F-13
93700-03060-0A	F-12-2	94111-05000	E-7		
			F-2	99000	
94000			F-12		
			F-12-1	99114-076-0500	E-12
94001-03330	F-11-1		F-12-3	99124-050-04	E-12
94001-05000-0S	F-1	94111-06000	F-5	99153-038-04	E-12
	F-12-3		F-6	99201-06306-00	E-12-1
94001-06000	E-1		F-9		
	F-5		F-11		
	F-6	94111-08000	F-12-2		
	F-7		F-1		
	F-9		F-5		
	F-10		F-6		
	F-11		F-8		
	F-12		F-9		
	F-12-1	94201-16150	F-5		
	F-12-2	94201-20150	F-10		
	F-12-3	94251-05000	F-11		
	F-12-4	94301-08120	E-5		
94001-08000-0S	E-4-1	94301-08140	E-1		
94001-08000	F-5	94510-16000	E-9		
94001-10000	E-11	94520-32000	F-8		
94021-06000	E-1				
94021-06020	F-6	95000			
94030-08000	E-7				
	F-5	95001-35200	E-12		
	F-6	95001-35200-40	E-12		
	F-8	95001-35210-40	E-12-1		
	F-9	95001-45075-40	F-4		
94101-04000	F-6	95001-45100	F-4		
94101-05000	F-6	95001-45140-40	F-4		
	F-7	95001-50000	E-5		
	F-11		E-12		
	F-11-1	95002-02070	E-12-1		
	F-11-2	95002-02080	F-4		
	F-12	95002-45000	F-4		
	F-12-1	95011-31000	F-5		
94101-05200	F-7	95011-40000	F-15		
94101-06000	F-2	95014-61300	F-13		
	F-5	95014-73300	F-10		
	F-6	95015-31000	F-1		
94101-06000	F-7		F-10		
	F-9	95015-41000	F-1		
	F-10		F-10		
	F-11	95015-81000	F-5		
	F-12	95015-91000	F-5		
	F-12-1				
	F-12-2	96000			
	F-12-3				
	F-12-4	96100-60000	E-6		
	F-13	96100-62010	F-8		
	F-14		F-9		
94101-08000	F-5	96100-62030	E-8		
	F-11-1	96100-63040	E-2		
	F-11-2	96140-62010	F-8		
94101-10000	F-3		F-9		
94101-12000	F-8	96211-06000	F-2		
	F-10				



HONDA
HONDA MOTOR CO., LTD. TOKYO, JAPAN

1404522

Ⓢ A7007703

PRINTED IN JAPAN