

B 1

XPR 75



# PARTS LIST

FOR

# HONDA

XR75

## FOREWORD

This Parts List contains all the replacement parts for the XR75 model and is to be used for ordering replacement parts.

The frame number must be forward together with any parts order.

The reason for this is that it is necessary to verify that the parts ordered are applicable to the model series intended.

No supplement to this Parts List will be issued. In case of any change to its content, no notification or supplement will be issued for this Parts List. However, a revised edition of this Parts List will be issued to maintain it up-to-date. The revised edition can be identified by the revision No. on the cover. To check on the latest Parts List revision, please contact your nearest distributor.

August 31, 1972

HONDA MOTOR CO., LTD.

**B 2**

## GROUP INDEX

INSTRUCTION  
FOR  
USE OF PARTS LIST

B 2 - B 3

## ENGINE GROUP

C 1 - C 14

## FRAME GROUP

C 1, C 15 - C 14

## PART NO. INDEX

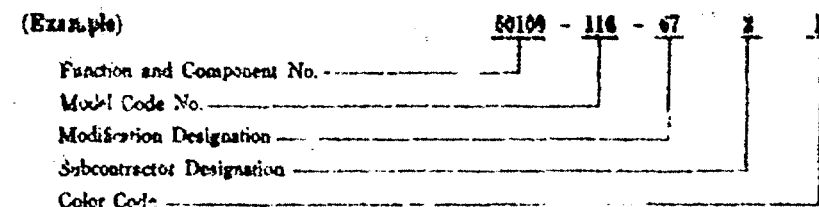
B 4 - B 5

## INSTRUCTION FOR USE OF PARTS LIST

### DESCRIPTION OF PARTS LIST

#### 1. Make-up of the Part Number

The following example is the definition of part number.



#### 2. Abbreviations

The abbreviations used in this parts list are as follows.

ASSY. .... Assembly	W ..... Watt
COMP. .... Complete	KPH ..... Kilometer
R ..... Right	MPII ..... Milemeter
L ..... Left	L (100L) ..... Link (100 Link)
STD. .... Standard	A.C. .... Alternating current
MM ..... Millimeter	D.C. .... Direct current
G ..... Gram	IN ..... Inlet
T (22T) ..... Teeth (22 Teeth)	EX ..... Exhaust
A ..... Ampere	FR ..... Front
V ..... Volt	RR ..... Rear

#### 3. Dimensions

All dimensions are in millimeters except for the steel balls and wheels.

Parts	Example	Interpretation
Bolt (Screw)	6x12	6 mm diameter, 12 mm length
Pin	8x14	8 mm diameter, 14 mm length
O-Ring	9.5x1.6	9.5 mm diameter, 1.6 mm thickness
Oil seal	14x24x5	14 mm inside diameter, 24 mm outside diameter, 5 mm thickness
Tube	5x130	5 mm inside diameter, 130 mm length

#### 4. Quantity used

In the column "Reqd. No." is shown the quantity of parts used in the respective group.

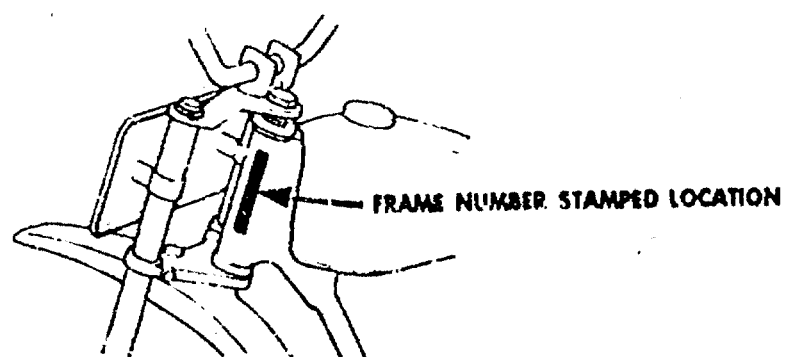
**B 3**

#### 5. Applicable Serial Number

If there is a production change to a part, the frame serial number to which this part becomes effective will be indicated in the "Serial No." column. However, in case the part is used from the initial serial number, its applicable serial number is not shown. The initial serial number for model is as follows.

XR75-A (U.S.A. type) Frame No. XR75-1600001~1024550

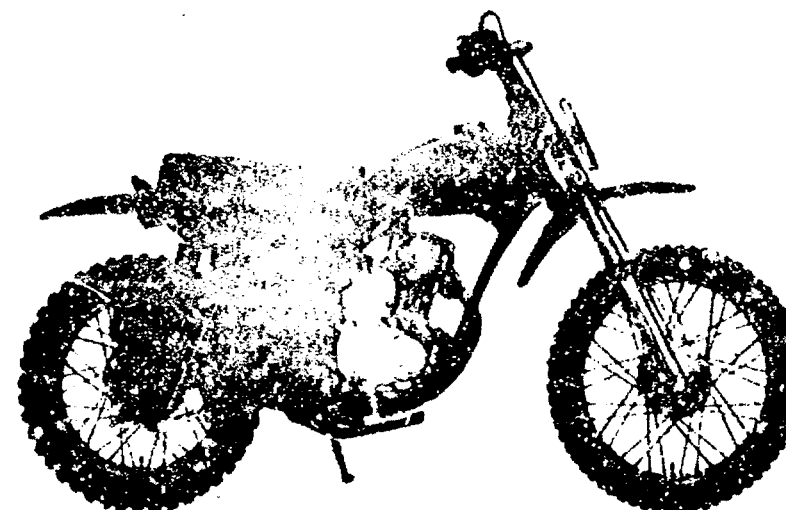
The serial number is stamped on the following location.



#### 6. Color code

The following table indicates the color description of the color codes which are listed in the text.

Color code	Description
B	Black
CT	Off Black
QN	Lava Gray Metallic special

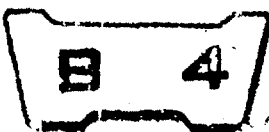


XR75

7. The part number described under the part description supersedes the part number ahead.

8. This Parts List is compiled as of August 20, 1976.

CROSS-REFERENCE TABLE



PART NO. INDEX

BLOCK NO.	ADDRESS NO.
E - 1	C 2
E - 2	C 3
E - 3	C 4
E - 4	C 5
E - 5	C 6
E - 6	C 7
E - 7	C 8
E - 8	C 9
E - 9	C 10
E - 10	C 11
E - 11	C 12
E - 12	C 13
E - 13	C 14
F - 1	C 15
F - 2	C 16
F - 3	D 1
F - 4	D 2
F - 5	D 3
F - 6	D 4
F - 7	D 5
F - 8	D 6
F - 9	D 7
F - 10	D 8, D 9
F - 11	D 10
F - 12	D 11
F - 13	D 12
F - 14	D 13
F - 15	D 14

Part No.	Block	Part No.	Block	Part No.	Block
11000		14751-115-020	E-2	17910-116-670	F-1
11100-116-000	E-12	14761-115-010	E-2	18000	
11191-115-020	E-12	14771-107-020	E-2	18231-115-010	F-9
11200-116-000	E-12	14775-107-000	E-2	18233-115-010	F-9
11330-116-000	E-12	14781-107-020	E-2	18291-115-000	F-9
11341-116-000	E-12	15000		18300-116-67201	F-9
11393-115-020	E-12	15105-115-000	E-6	18340-116-67001	F-9
11431-116-000	E-12	15111-115-020	E-6	18373-310-000	F-9
11432-086-000	E-12	15116-107-020	C-6	18374-310-000	F-9
11911-116-6708	F-14	15126-107-020	E-6	22000	
12000		15131-116-000	E-6	22100-116-000	E-7
12021-115-310	E-1	15131-115-000	F-6	22121-115-010	F-7
12023-116-300	E-1	15332-115-000	E-6	22201-107-000	E-7
12100-116-000	E-1	15421-035-010	E-12	22201-107-000	E-7
12191-116-000	E-1	15430-116-000	E-6	22311-107-000	E-7
12200-116-000	E-1	15436-107-000	E-6	22311-107-000	E-7
12200-116-010	F-1	15441-107-000	E-6	22350-115-020	E-7
12209-107-750	F-2	15446-107-000	E-6	22361-107-000	E-7
12210-116-000	E-2	15457-107-000	F-6	22366-115-000	E-7
12251-116-000	F-1	15650-086-000	F-5	22401-116-000	E-7
12301-115-040	E-1	16000		22710-115-030	E-5
12391-115-030	E-1	16010-107-004	E-13	22815-107-000	E-5
12421-115-000	E-6	16011-116-004	E-13	22821-116-000	E-5
13000		16012-116-004	E-13	22830-116-000	E-5
13000-116-030	E-8	16013-046-004	E-13	22831-107-000	E-5
13011-116-000	E-8	16014-306-004	E-13	22870-116-670	F-2
13021-116-000	E-8	16015-028-004	E-13	23000	
13031-116-000	E-8	16016-046-004	E-13	23121-116-010	E-6
13041-116-000	E-8	16022-107-004	F-13	23211-116-020	E-10
13051-116-000	E-8	16100-116-004	E-13	23221-116-010	E-10
13101-116-010	E-8	16118-086-004	F-13	23426-116-020	E-10
13102-116-010	E-8	16165-116-004	F-13	23441-116-010	E-10
13103-116-010	L-8	16173-001-004	F-7	23451-116-010	E-10
13104-116-010	E-8	16229-115-010	E-1	23461-116-010	E-10
13105-116-010	E-8	16950-116-671	F-7	23471-116-010	E-10
13111-087-000	E-8	16952-028-000	F-7	23501-116-010	F-10
13115-001-000	E-8	16953-011-000	F-7	23520-115-010	E-10
13201-036-000	E-8	16954-028-000	F-7	23530-116-000	E-10
13211-035-000	E-8	16955-028-004	F-7	23800-041-010	E-10
13310-116-320	E-8	16956-028-004	F-7	23800-116-010	E-10
13321-116-310	E-8	16957-028-000	F-7	23802-040-000	E-10
13381-035-010	E-8	16997-273-006	F-7	23802-041-010	E-10
14000		17000		24000	
14101-116-000	E-2	17111-116-010	E-1	24211-115-000	E-9
14311-116-000	E-8	17211-107-020	F-8	24231-115-000	F-9
14321-115-000	E-4	17212-107-780	F-8	24241-116-000	E-9
14401-028-003	E-4	17214-107-780	F-8	24301-116-010	E-9
14431-116-000	F-2	17220-116-6708	F-8	24421-200-000	E-9
14451-035-000	E-2	17230-116-6718	F-8	24430-115-000	F-9
14500-116-000	E-4	17231-051-000	F-8	24435-115-020	E-9
14515-116-000	E-4	17247-292-010	F-14	24435-115-030	E-9
14550-116-000	E-4	17253-116-670	F-8	24610-116-000	E-9
14561-086-010	E-4	17255-107-000	F-8	24641-115-010	E-9
14561-115-020	E-4	17500-116-6702M	F-7	24651-107-000	E-9
14562-115-000	E-4	17611-303-000	F-7	24652-035-000	E-9
14711-116-000	E-2	17613-051-010	F-7	24700-107-700	F-15
14721-116-000	E-2	17620-292-020	F-7		
		17631-259-000	F-7		

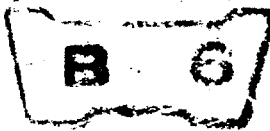


B 5

PART NO. INDEX

PART NO. INDEX

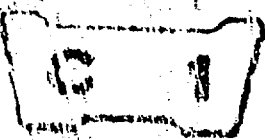
Part No.	Block	Part No.	Block	Part No.	Block	Part No.	Block	Part No.	Block	Part No.	Block
28000		42313-051-000	F-10	50610-116-6718	F-13	53220-115-000	F-4			92000-06010	F-14
28211-115-010	E-11	42601-115-000	F-10	50616-110-790	F-13	53231-116-670CT	F-1	90321-315-670	F-2	92010-06012	F-3
28221-107-010	E-11	42620-051-000	F-10	50617-283-000	F-13			90351-268-000	F-9		F-8
28250-116-000	E-11	42701-116-671	F-10	50642-110-190	F-13	61000		90354-115-000	F-1		F-12
28262-116-000	E-11	42711-116-672	F-10	50644-283-000	F-13			90407-259-000	E-12		F-14
28271-107-000	E-11	42712-116-672	F-10			61100-116-670QM	F-4	90417-115-000	E-2	92000-06016	F-1
28281-035-010	E-11	42713-116-671	F-10	51000				90426-035-000	E-3		F-2
28300-116-672	F-15	42715-116-671	F-10			64000		90441-028-010	E-1		F-4
				51400-116-671	F-3			90443-115-000	E-2		F-9
		43000		51401-118-000	F-3	64113-116-6708	F-4	90443-844-000	E-6		F-4
30000				51410-116-671	F-3	64114-116-6708	F-4	90451-115-000	E-6	92000-06020	F-5
30202-041-010	E-3	43100-115-000	F-10	51420-116-671	F-3	64115-116-6708	F-4	90453-115-000	F-10		F-6
30205-041-005	E-3	43141-107-010	F-10	51425-118-013	F-3			90458-107-000	E-11		F-15
30250-041-005	E-3	43410-041-020	F-10	51442-229-000	F-3	77000		90461-115-000	F-10	92000-06022	F-6
30500-115-013	F-14	43432-116-671	F-12	51445-028-000	F-3			90462-115-010	E-7	92000-06025	F-7
30600-718-670	F-1	43434-286-000	F-12	51446-028-000	F-3	77100-116-672A	F-6	90501-310-000	F-2	92000-06030	F-15
		43451-116-672	F-13	51451-118-000	F-3	77136-114-670	F-6	90503-011-000	F-4	92000-06036	F-10
				51452-118-000	F-3	77205-286-000	F-6	90521-028-000	F-13	92000-08016-0A	F-12
				51500-116-671	F-3			90524-030-000	F-12	92000-08020-0A	F-13
				51520-116-671	F-3	80000		90525-001-000	F-10	92700-06032	F-1
								90525-030-000	F-6	92700-06040	F-1
								90527-230-000	F-11	92700-06045	F-1
								90528-229-000	F-3	92800-12000	F-12
								90531-011-010	F-11		
								90543-273-000	F-3		
								90548-121-000	F-5	93000	
								90549-121-000	F-10	93500-03006-0A	F-7
								90601-001-000	F-10	93500-04010-0A	F-3
								90601-107-000	E-11	93500-04025-0A	F-8
								90741-035-000	F-8	93500-06008-49	F-9
								90753-051-000	F-10	93500-06012-49	F-9
								90755-229-000	F-5	93500-06016	F-7
								90756-118-003	F-3	93500-06025	F-1
								90801-116-020	E-5		F-2
								90801-116-030	E-5	93500-06028	F-2
								90802-116-000	E-5	93500-06035	E-3
											E-5
								91000		93500-06045	E-12
										93500-06080	E-5
										93500-06090	E-5
										93600-04012-0A	F-6
										93600-06016	E-3
										93700-05012-0A	E-3
											E-6
										93700-05025-0A	E-5
										94000	
										94001-06000	E-1
											E-2
											E-5
											F-2
											F-4
											F-6
											F-8
											F-9
											F-10
											F-12
											F-10
											F-4
											F-13
											F-1
											F-2
											F-10
											F-10
											F-4
											F-13
											F-1
											F-2
											F-10
											F-10
											F-1
											F-12
											F-10
											F-13
											F-1
											F-2
											F-1
											F-11



PART NO. INDEX

Part No.	Stock	Part No.	Stock
94030-08000	F-14	95014-73100	F-14
94030-10000	E-3	95015-31000	F-14
94101-04000	F-3	95015-41000	F-14
94101-06000	E-5	95015-52000	F-14
	E-7	95300-08002	F-4
	F-1	95300-08000	F-14
	F-3	95300-08100	F-14
	F-4		
	F-6	96000	
	F-8		
	F-9	96100-60010	E-7
94101-06000	F-10	96100-60050	E-10
	F-12	96100-62030	E-10
	F-14	96140-63010	F-5
94101-08000	F-12		F-10
	F-13	96211-06000	F-4
	F-14		
94101-10000	F-9	97000	
94111-04000	E-3		
94111-06000	F-4	97255-31137-10	F-5
	F-8	97283-42089-10	F-10
	F-9	97491-31136-10	F-5
	F-10	97600-42088-10	F-10
	F-14		
94111-08000	F-10	98000	
	F-12		
	F-13	98056-57711	F-1
	F-14		
94111-10000	F-12	99000	
94201-16150	F-13		
94201-20150	E-5	99114-246-1000	E-13
	F-5	99124-223-0380	F-13
	F-12		
94201-30250	F-5		
	F-10		
	F-13		
94251-08000	E-6		
	F-12		
94301-08140	E-1		
	E-5		
94301-12200	E-12		
94510-17000	E-7		
94510-50000	F-10		
94511-40000	F-3		
94601-20101	F-3		
94605-13000	F-3		
94605-17000	F-3		
95000			
95001-35300-40	E-13		
95001-5240-40	F-7		
95001-50180	E-12		
95002-02070	E-13		
95002-02080	F-7		
95002-50000	E-12		
95011-40000	F-15		
95011-51000	F-15		
95014-10100	F-10		
95014-21200	F-1		
95014-32200	F-1		
95014-61300	F-14		
95014-92100	F-2		
95014-72101	F-13		

# CONTENTS



## ENGINE GROUP

E-1	Cylinder • Cylinder Head .....	C 2
E-2	Camshaft • Valve .....	C 3
E-3	Left Crankcase Cover • Gasket .....	C 4
E-4	Cam Chain Tensioner .....	C 5
E-5	Right Crankcase Cover .....	C 6
E-6	Oil Filter Rotor • Oil Pump .....	C 7
E-7	Clutch .....	C 8
E-8	Crankshaft • Piston .....	C 9
E-9	Gear Shift .....	C 10
E-10	Transmission .....	C 11
E-11	Kick Starter .....	C 12
E-12	Crankcase .....	C 13
E-13	Carburetor .....	C 14

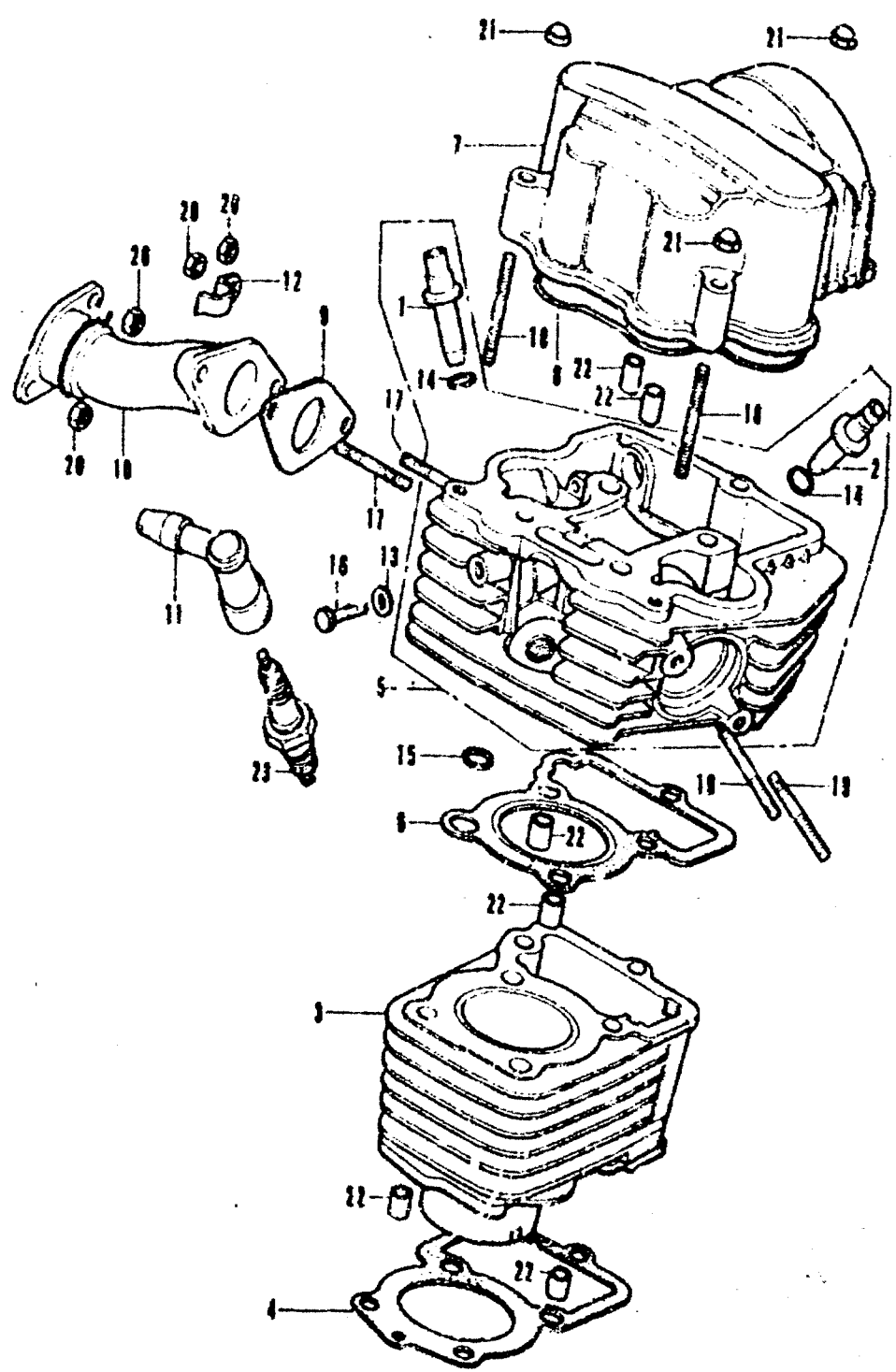
## FRAME GROUP

F-1	Steering Handle .....	C 15
F-2	Kill Switch • Handle Lever .....	C 16
F-3	Front Fork .....	D 1
F-4	Steering Stem • Front Fender .....	D 2
F-5	Front Wheel .....	D 3
F-6	Seat • Rear Fender .....	D 4
F-7	Fuel Tank .....	D 5
F-8	Air Cleaner .....	D 6
F-9	Exhaust Muffler .....	D 7
F-10	Rear Wheel .....	D 8
F-11	Rear Cushion .....	D 10
F-12	Rear Fork • Chain Case .....	D 11
F-13	Brake Pedal • Side Stand .....	D 12
F-14	Frame Body .....	D 13
F-15	Change Pedal • Kick Arm .....	D 14
	Part Number Index .....	B 4

E-1 Cylinder - Cylinder Head



E-1 Cylinder - Cylinder Head

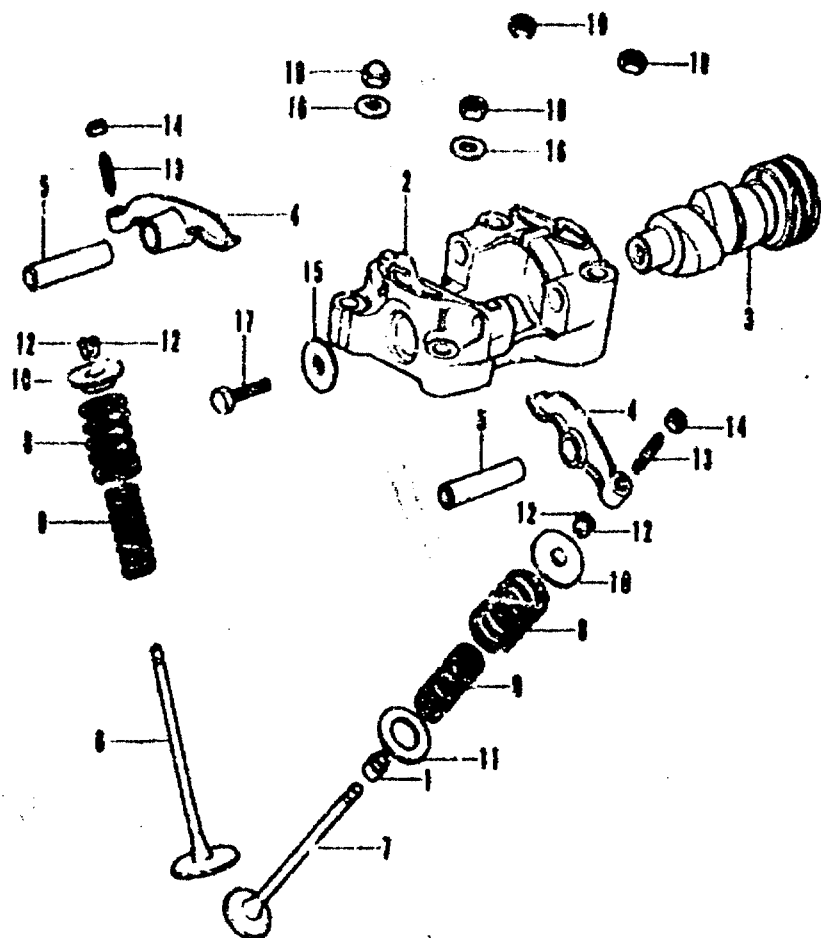


Ref. No.	Part No	Description	Recd. No. XR75	Serial No.	Area Code
1	12021-115-300	GUIDE, IN. VALVE	1		
2	12023-116-300	GUIDE, EX. VALVE	1		
3	12100-116-000	CYLINDER COMP.	1		
4	12191-116-000	GASKET, CYLINDER	1		
5	12200-116-000	HEAD COMP., CYLINDER	1	1015000	
	12200-116-010	HEAD COMP., CYLINDER	1	1015001	
6	12251-116-000	GASKET, CYLINDER HEAD	1		
7	12301-115-040	COVER, CYLINDER HEAD	1		
8	12391-115-030	GASKET, CYLINDER HEAD COVER	1		
9	16229-115-010	GASKET, CARBUJETOR INSULATOR	1		
10	17111-116-010	PIPE, IN.	1		
11	30600-918-870	CAP ASSY., NOISE SUPPRESER	1		
12	32921-115-000	CLIP, HIGH TENTION CORD	1		
13	90441-028-010	WASHER, SEALING, 6MM	1		
14	91301-200-000	O-RING, 10X1.6	2		
15	91306-035-000	GASKET, RUBBER, 7.5MM	1		
16	92000-06016	BOLT, HEX., 6X16	1		
17	92700-06032	BOLT, STUD, 6X22	2		
18	92700-06040	BOLT, STUD, 6X40	2		
19	92700-06045	BOLT, STUD, 6X45	2		
20	94001-06000	NUT, HEX., 6MM	4		
21	94021-06000	NUT, CAP, 6MM	3		
22	94501-08140	PIN A, DOWEL, 8X14	6		
23	98056-57711	PLUG, SPARK (C-7HS NGK)	1		

E-2 Camshaft - Valve

C 3

E-2 Camshaft - Valve

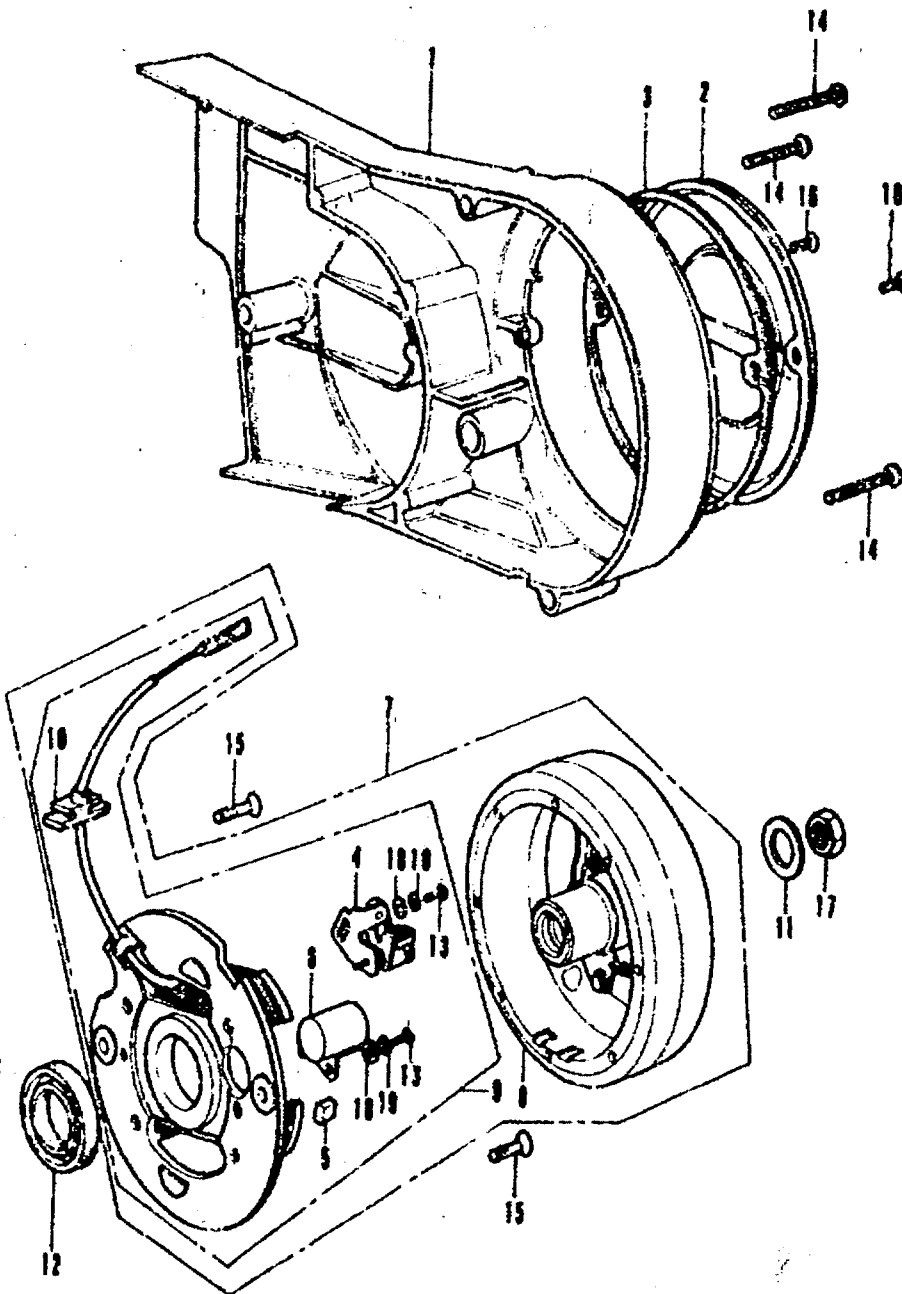


Ref. No.	Part No.	Description	Repl. No. XR75	Serial No.	Area Code
1	12209-107-760	SEW. VALVE STEM			
2	12210-116-000	HOLDER CAMSHAFT			
3	14101-116-000	CAMSHAFT			
4	14431-116-000	ARM VALVE ROCKER			
5	14431-035-000	SHAFT VALVE ROCKER ARM			
6	14711-116-000	VALVE IN.			
7	14721-116-000	VALVE EX.			
8	14751-115-020	SPRING VALVE (OUTER)			
9	14761-115-010	SPRING VALVE (INNER)			
10	14771-107-020	RETAINER VALVE SPRING			
11	14775-107-000	SEAT VALVE SPRING OUTER			
12	14781-107-020	COTTER VALVE			
13	90012-200-000	SCREW TAPPET ADJUSTING			
14	90206-001-000	NUT TAPPET ADJUSTING			
15	90417-115-000	WASHER CAM SHAFT SIDE			
16	90443-115-000	WASHER 6MM			
17	92000-0601	BOLT HEX. 6X16			
18	94001-06000	NUT HEX. 6MM			
19	94021-06000	NUT CAP. 6MM			

E-3 Left Crankcase Cover - Generator

C 4

E-3 Left Crankcase Cover - Generator

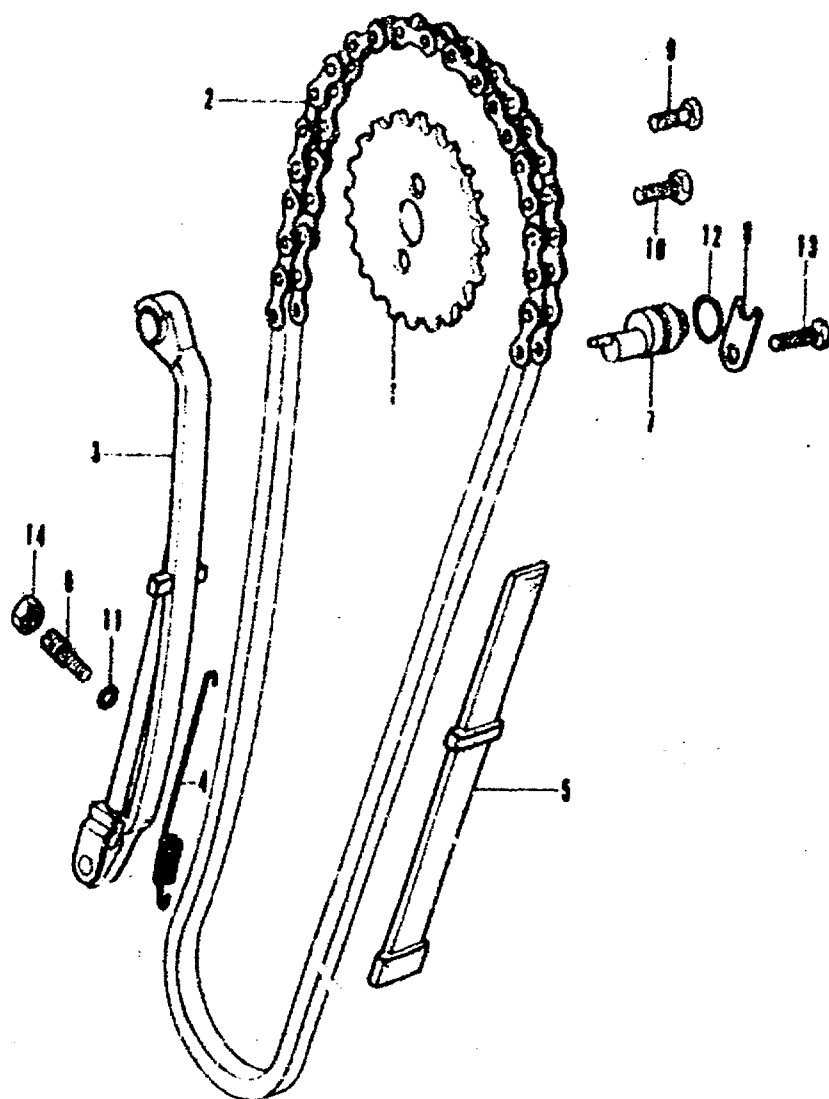


Ref. No.	Part No.	Description	Reqd. No. XR75	Serial No.	Area Code
1	11341-116-000	COVER COMP., L. CRANKCASE	1		
2	11431-116-000	COVER, DYNAMO	1		
3	11432-086-000	CASKET, DYNAMO COVER	?		
4	30202-041-015	BREAKER, CONTACT (HITACHI)	1		
5	30295-041-005	FELT, OIL (HITACHI)	1		
6	30250-041-005	CONDENSER COMP.	1		
7	31100-116-005	A.C. GENERATOR ASSY. (HITACHI)	1		
8	31121-116-005	FLYWHEEL COMP. (HITACHI)	1		
9	31141-116-005	STATOR ASSY. (HITACHI)	1		
10	32971-116-000	640.MET, A.C. GENERATOR CORD	1		
11	90426-033-000	WASHER, MAGNETO FIRING	1		
12	91202-115-015	OIL SEAL, 19X36X7	1		
13	93500-04010-0A	SCREW, PAN, 4X10	2		
14	93500-06035	SCREW, PAN, 6X35	3		
15	93500-06016	SCREW, FLAT, 6X16	2		
16	93700-05012-0A	SCREW, OVAL, 5X12	2		
17	94030-10000	NUT, HEX., 10MM	1		
18	94101-04000	WASHER, PLAIN, 4MM	2		
19	94111-04000	WASHER, SPRING, 4MM	2		

E-4 Cam Chain Tensioner

C 5

E-4 Cam Chain Tensioner



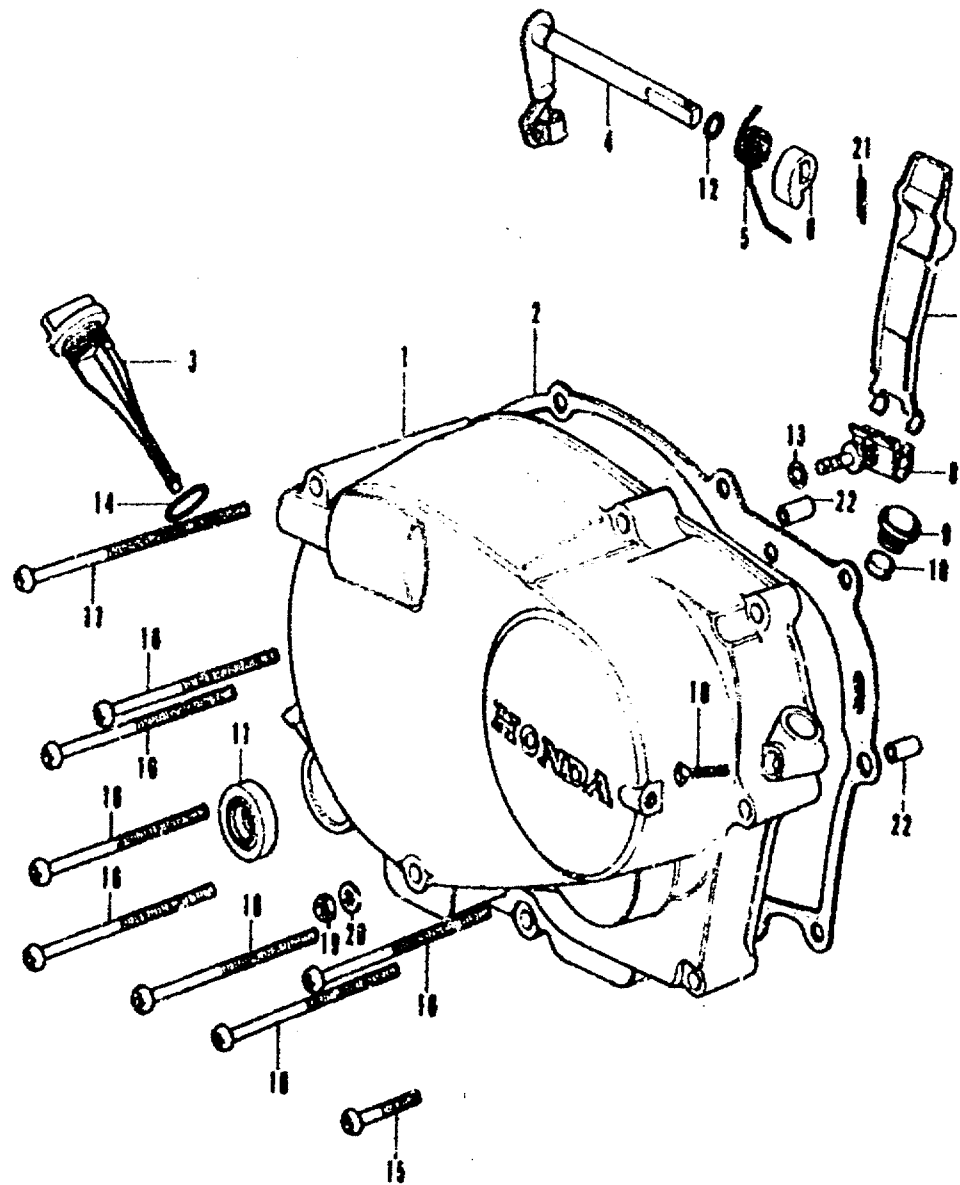
Ref. No.	Part No.	Description	Reqd. No. XR75	Serial No.	Area Code
1	14321-115-000	SPROCKET, CAM (28T)	1		
2	14401-028-003	CHAIN, CAM (DK210H-B&L 04193)	1		
3	14500-116-000	TENSIONER COMP., CAM CHAIN	1		
4	14515-116-000	SPRING, CAM CHAIN TENSIONER	1		
5	14550-116-000	GUIDE, CAM CHAIN	1		
6	14561-086-010	BOLT, CAM CHAIN TENSIONER ADJUSTING	1		
7	14561-115-020	BOLT, CAM CHAIN TENSIONER ADJUSTING	1		
8	14562-115-000	PLATE, CAM CHAIN TENSIONER ADJUSTING	1		
9	90081-312-000	BOLT, KNOCK, 6X14	1		
10	90085-312-000	BOLT, HEX., 6X14	1		
11	91301-216-000	O RING, 3.5X1.5	1		
12	91303-259-000	O RING, 11X2.0	1		
13	92060-06016	BOLT, HEX., 6X16	1		
14	94002-08000-05	NUT, HEX., 8MM	1		



E-5 Right Crankcase Cover



E-5 Right Crankcase Cover



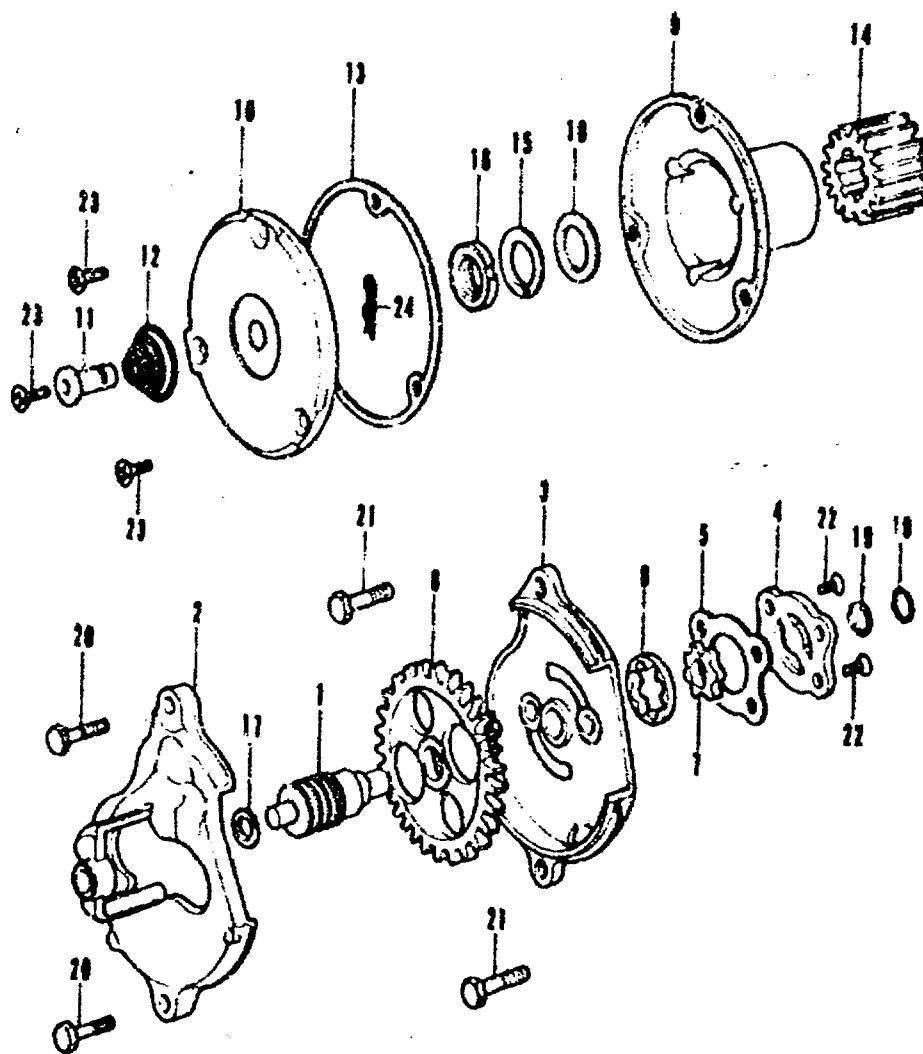
Ref. No.	Part No	Description	Reqd. No. XR75	Serial No.	Area Code
1	11330-116-000	COVER COMP., R. CRANKCASE	1		
2	11393-115-020	GASKET, R. CRANKCASE COVER	1		
3	15650-086-000	GAUGE, OIL LEVEL	1		
4	22710-115-030	LEVER COMP., CLUTCH	1		
5	22815-107-000	SPP., CLUTCH LEVER	1		
6	22821-116-000	CAM, CLUTCH LIFTER	1		
7	22830-116-000	LEVER, CLUTCH ADJUSTING	1		
8	22831-107-000	SCREW COMP., CLUTCH ADJUSTING	1		
9	90801-116-020	PLUG A, RUBBER	1		
	90801-116-030	PLUG, RUBBER, 15MM	1		
10	90802-116-000	PLUG B, RUBBER	1		
11	91204-259-000	OIL SEAL, 16X28X7	1		
12	91301-027-060	O-RING, 6.8X1.9	1		
13	91301-704-030	O-RING, 6MM	1		
14	91307-035-000	O-RING, 18X3	1		
15	93500-05035	SCREW, PAN, 6X35	1		
16	93500-06080	SCREW, PAN, 6X80	7		
17	93500-06090	SCREW, PAN, 6X90	1		
18	93700-05025-0A	SCREW, OVAL, 5X25	1		
19	94001-06000	NUT, HEX., 6MM	2		
20	94101-06000	WASHER, PLAIN, 6MM	1		
21	94201-20150	PIN, SPLIT, 2.0X15	1		
22	94301-08140	PIN, DOWEL, 8X14	2		

## E-6 Oil Filter Rotor • Oil Pump

C 7

## E-6 Oil Filter Rotor • Oil Pump

Ref. No.	Part No.	Description	Reqd. No. X 375	Serial No.	Area Code
1	12421-115-000	GEAR, TACHOMETER PINION	1		
2	15106-115-000	COVER, OIL PUMP GEAR	1		
3	15111-115-020	BODY, OIL PUMP	1		
4	15116-107-020	PLATE, OIL PUMP	1		
5	15126-107-020	GASKET, OIL PUMP	1		
6	15131-116-000	GEAR, OIL PUMP DRIVE	1		
7	15331-115-000	ROTOR, OIL PUMP INNER	1		
8	15332-115-000	ROTOR, OIL PUMP OUTER	1		
9	15430-116-000	ROTOR, OIL FILTER	1		
10	15436-107-000	CAP, OIL FILTER ROTOR	1		
11	15441-107-000	THROUGH, OIL	1		
12	15446-107-000	SPRING, OIL THROUGH	1		
13	15459-107-000	GASKET, OIL FILTER ROTOR CAP	1		
14	23121-116-010	GEAR, PRIMARY DRIVE (16T)	1		
15	90033-115-000	WASHER, SUPER LOCK	1		
16	90231-041-000	NUT, LOCK, 14MM	1		
17	90443-844-000	WASHER, THRUST, 8MM	1		
18	90431-115-000	WASHER, 14.2MM	1		
19	91304-107-000	O-RING, 9.4X2.4	2		
20	92000-05018-0A	BOLT, HEX., 5X18	2		
21	92000-06022	BOLT, HEX., 6X22	2		
22	93300-04012-0A	SCREW, FLAT, 4X12	3		
23	93700-05012-0A	SCREW, OVAL, 5X12	3		
24	94251-06000	PIN, LOCK, 8MM	1		

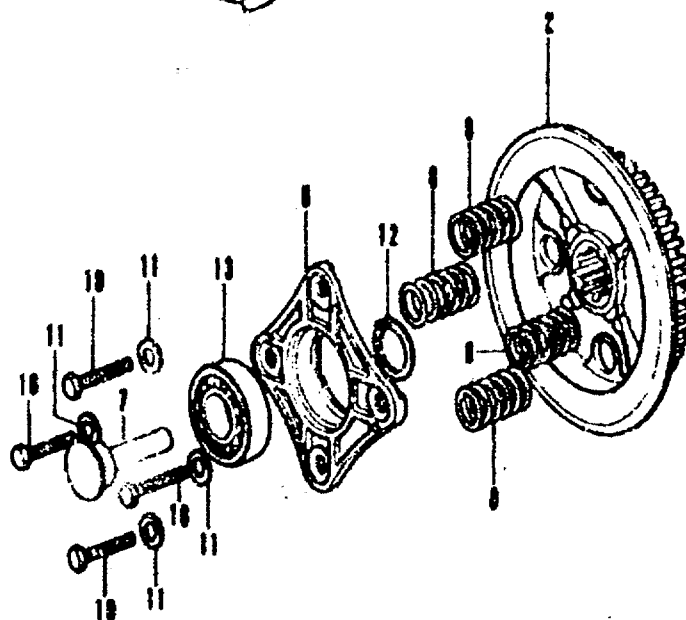
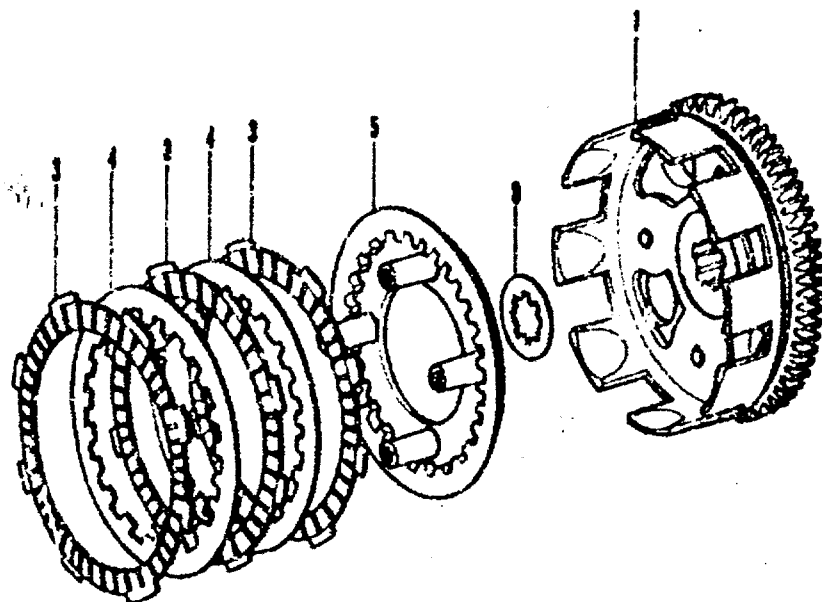


## E-7 Clutch

C 8

## E-7 Clutch

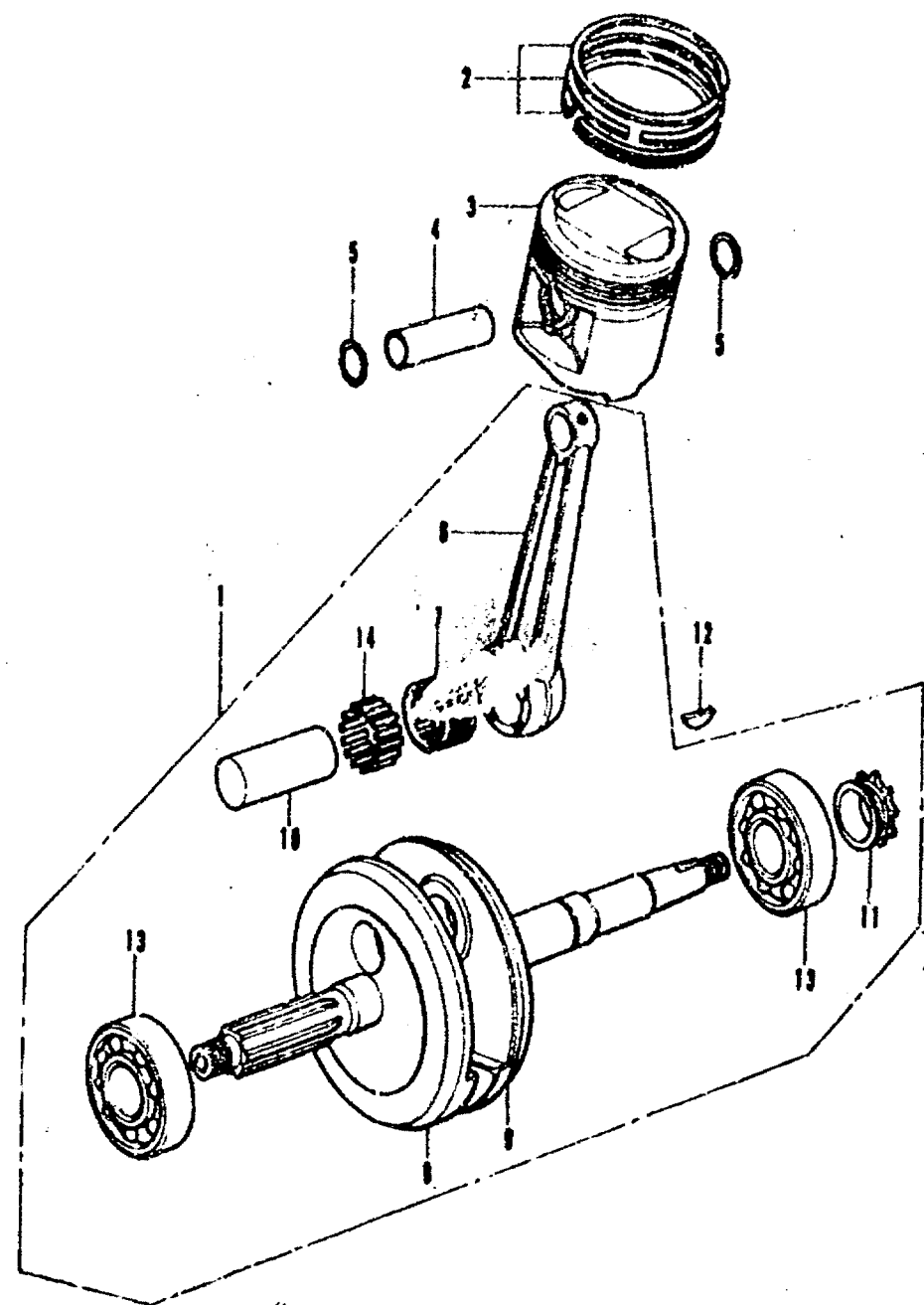
Ref No.	Part No.	Description	Reqd. No. XR75	Serial No.	Area Code
1	22100-116-000	OUTER COMP., CLUTCH (6911)	1		
2	22121-115-010	CENTER, CLUTCH (1671)	1		
3	22201-107-000	DISC, CLUTCH FRICTION	3		
4	22311-107-000	PLATE, CLUTCH	2		
5	22350-115-020	PLATE, CLUTCH PRESSURE	1		
6	22361-107-000	PLATE, CLUTCH LIFTER	1		
7	22366-115-000	PIN, CLUTCH LIFTER GUIDE	1		
8	22401-116-000	SPRING, CLUTCH	4		
9	90462-115-010	WASHER B: SPLINE, 17MM	1		
10	92000-05025	BOLT, HEX., 6X25	4		
11	94101-06000	WASHER, PLAIN, 6MM	4		
12	94510-17000	CIR CLIP, EXTERNAL, 17MM	1		
13	96100-60010	BEARING, BALL, 6001	1		



### E-8 Crankshaft - Piston



### E-8 Crankshaft - Piston



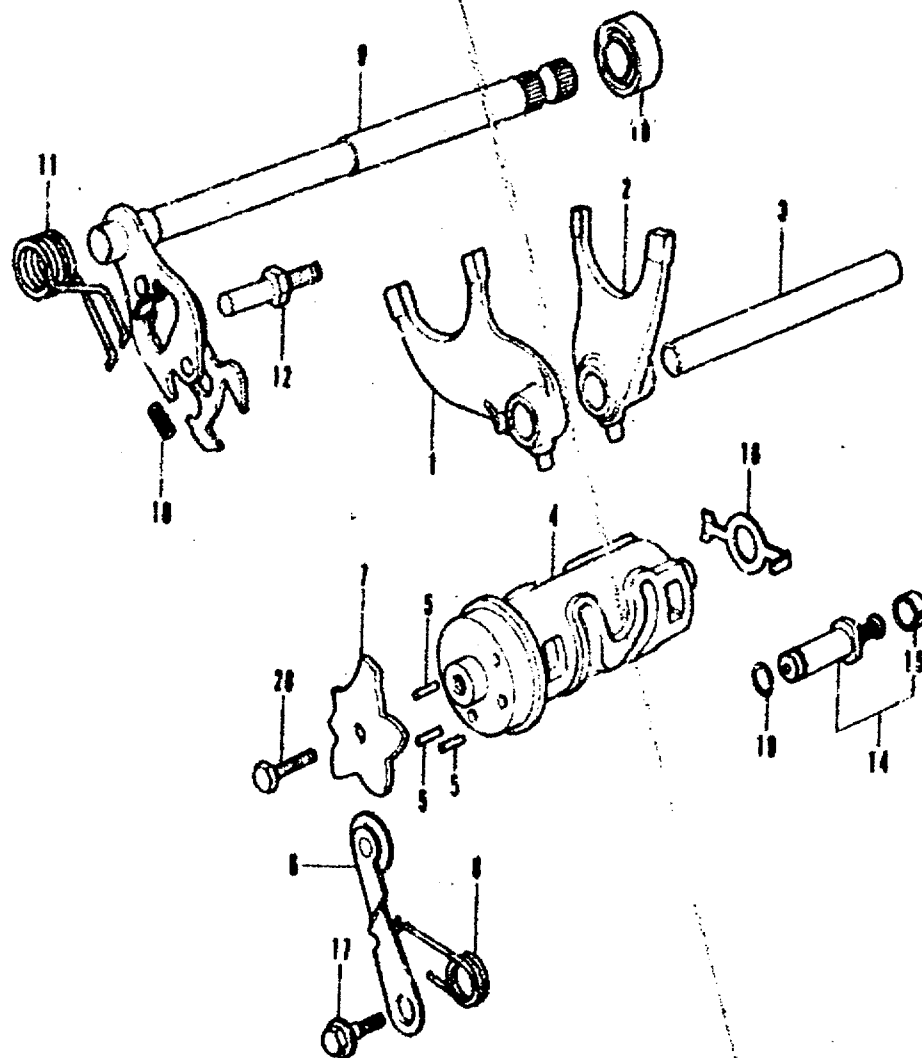
Ref. No.	Part No.	Description	Req. No. (R75)	Serial No.	Area Code
1	13000-116-030	CRANKSHAFT ASSY.	1		
2	13011-116-000	RING SET, PISTON (STD.)	1		
	13021-116-000	RING SET, PISTON (0.25)	(1)		
	13031-116-000	RING SET, PISTON (0.50)	(1)		
	13041-116-000	RING SET, PISTON (0.75)	(1)		
	13051-116-000	RING SET, PISTON (1.00)	(1)		
3	13101-116-010	PISTON (STD.)	1		
	13102-116-010	PISTON (0.25)	(1)		
	13103-116-010	PISTON (0.50)	(1)		
	13104-116-010	PISTON (0.75)	(1)		
	13105-116-010	PISTON (1.00)	(1)		
4	13111-087-000	PIN, PISTON	1		
5	13115-001-000	CLIP, PISTON PIN	2		
6	13201-036-000	ROD, CONNECTING	1		
7	13211-035-000	RETAINER, CONNECTING ROD ROLLER	1		
8	13310-116-320	CRANKSHAFT, R.	1		
9	13321-116-310	CRANKSHAFT, L.	1		
10	13381-035-010	PIN, CRANK	1		
11	14311-116-000	SPROCKET, TIMING	1		
12	90741-035-000	KEY, WOODRUFF, 3X5	1		
13	91001-116-000	BEARING, RADIAL BALL, 6322	2		
	91001-116-000	BEARING, RADIAL BALL, 6322 (1070)	2		
14	91101-001-030	ROLLER, ROD, 2.5X10	22		

C-10

E-9 Gear Shift

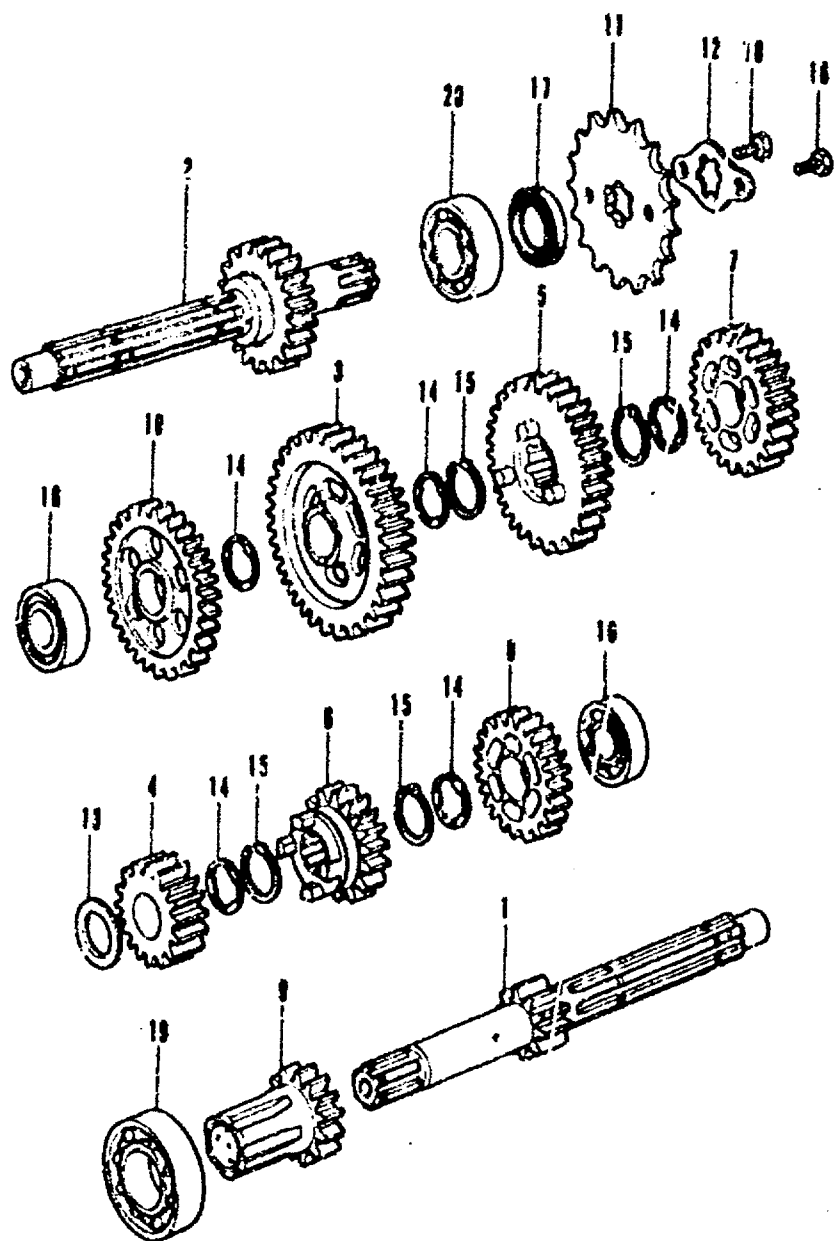
E-9 Gear Shift

Ref. No.	Part No.	Description	Reqd. No. XR75	Serial No.	Area Code
1	24211-115-000	FORK, R. GEAR SHIFT	1		
2	24231-115-000	FORK, CENTER GEAR SHIFT	1		
3	24241-116-000	SHAFT, GEAR SHIFT FORK GUIDE	1		
4	24301-116-010	WIPER, GEAR SHIFT	1		
5	24421-200-000	PIN, GEAR SHIFT DRUM	3		
6	24430-115-000	STOPPER COMP., SHIFT DRUM	1		
7	24435-115-020	PLATE, DRUM STOPPER	1		
8	24436-115-030	SPRING, SHIFT DRUM STOPPER	1		
9	24610-116-000	SPINDLE COMP., GEAR SHIFT	1		
10	24641-115-010	SPRING, GEAR SHIFT ARM	1		
11	24651-107-000	SPRING, GEAR SHIFT RETURN	1		
12	24652-035-000	PIN, SHIFT RETURN SPRING	1		
14	35750-028-000	CONTACT ASSY., NEUTRAL SWITCH	1		
15	35752-028-300	SPEACER, NEUTRAL SWITCH	1		
16	35753-115-000	ROTOR, NEUTRAL SWITCH	1		
17	90023-041-000	PIVOT, SHIFT DRUM STOPPER ARM	1		
18	91204-035-000	OIL SEAL, 511.6X24X10	1		
19	91312-107-000	O-RING, 7X1.7	1		
20	92000-06016	BOLT, HEX., 6X16	1		



C 11

REF. PART NO. DESCRIPTION REQD. NO. SERIAL NO. AREA CODE



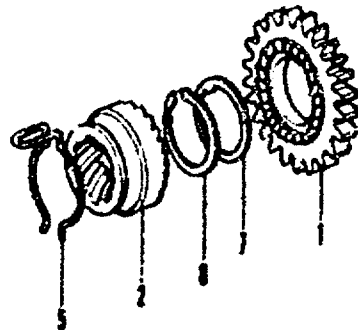
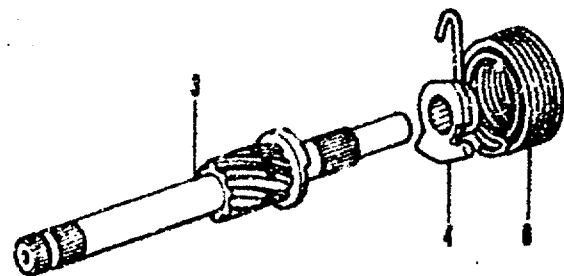
Ref. No.	Part No.	Description	Reqd. No. XR75	Serial No.	Area Code
1	23211-116-020	SHAFT, TRANSMISSION MAIN (14T)	1		
2	23221-116-010	SHAFT, TRANSMISSION COUNTER (25T)	1		
3	23426-116-020	GEAR, COUNTER SHAFT LOW (35T)	1		
4	23441-116-J10	GEAR, MAIN SHAFT SECOND (18T)	1		
5	23451-116-010	GEAR, COUNTER SHAFT SECOND (31T)	1		
6	23461-115-010	GEAR, MAIN SHAFT THIRD (21T)	1		
7	23471-116-010	GEAR, COUNTER SHAFT THIRD (28T)	1		
8	23501-116-010	GEAR, MAIN SHAFT TOP (24T)	1		
9	23520-115-010	GEAR COMP., PRIMARY STARTER (15T)	1		
10	23530-116-000	GEAR, PRIMARY IDLE (31T)	1		
11	23800-116-010	SPROCKET, DRIVE (14T)	1		
	23800-041-010	SPR. SET, DRIVE (13T)	(1)		
12	23802-040-000	PLATE, DRIVE SPROCKET FIXING	1		
	23802-041-010	PLATE, DRIVE SPROCKET FIXING (1)	(1)		
13	90453-113-000	WASHER, B. THRUST, 17MM	1		
14	90461-115-000	WASHER, SPLINE, 17MM	5		
15	90601-001-000	CIR CLIP, 17MM	4		
16	91001-115-000	BEARING, BALL, 62017	2		
17	91203-035-000	OIL SEAL, 17X29X5	1		
18	92000-06008	BOLT, HEX., 6X8	2		
	90084-041-000	BOLT, DRIVE SPROCKET FIXING	(2)		
19	96100-60050	BEARING, RADIAL BALL, 6005	1		
20	96100-62030	BEARING, RADIAL BALL, 6203	1		

C 12

E-11 Kick Starter

E-11 Kick Starter

Ref. No.	Part No.	Description	Recd. No. XR75	Serial No.	Area Code
1	28211-115-010	PINION, KICK STARTER	1		
2	28221-107-010	HATCHET, KICK STARTER DRIVE	1		
3	28250-116-000	SOLE COMP., KICK STARTER	1		
4	28262-116-000	WASHER, KICK SPRING	1		
5	28271-107-000	SPRING, STARTER PINION FRICTION	1		
6	28281-035-010	SPRING, KICK STARTER	1		
7	90458-107-000	WASHER, THRUST, 25MM	1		
8	90601-107-000	CIR-CLIP 25MM	1		

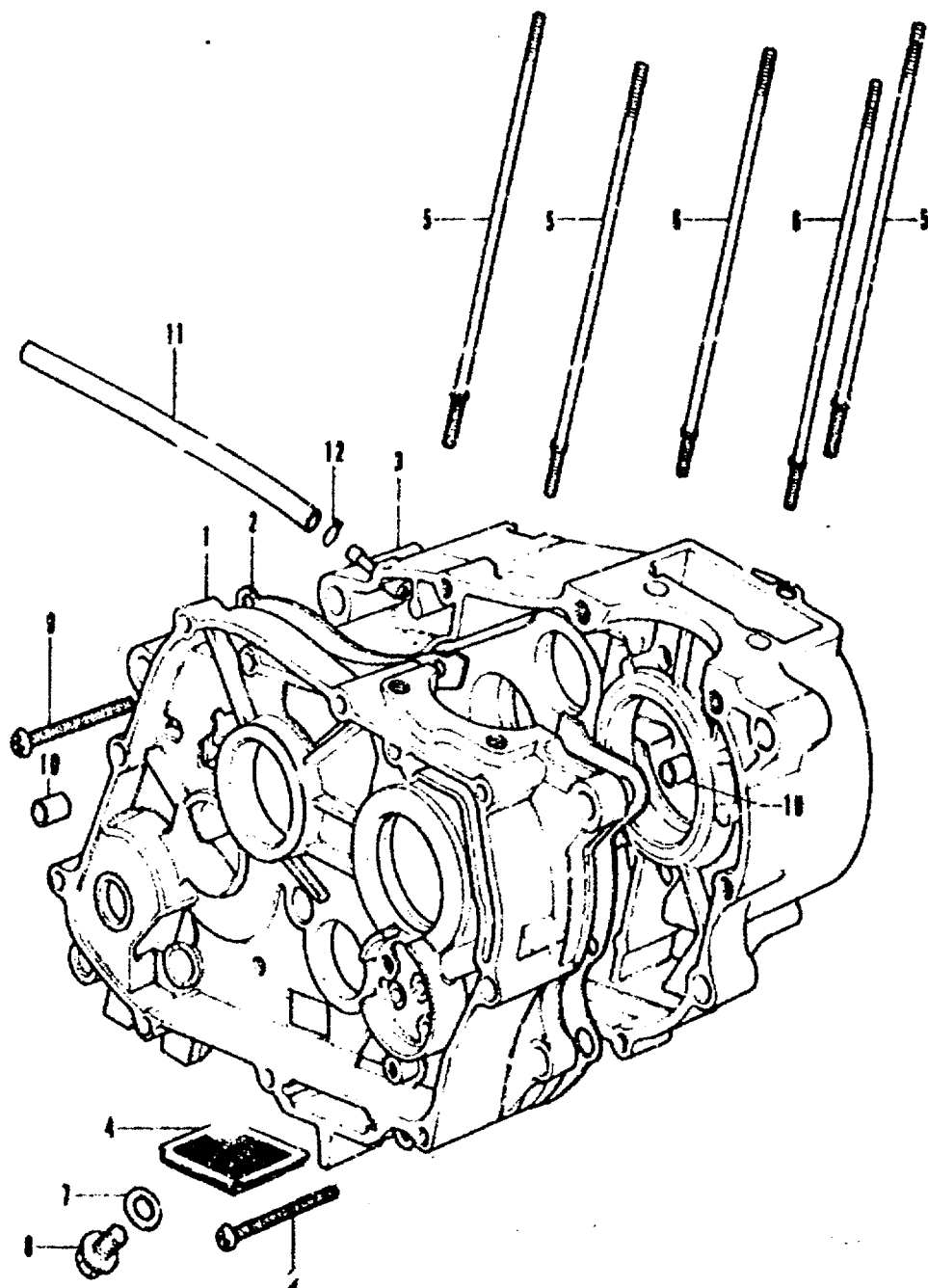




C 13

E-12 Crankcase

E-12 Crankcase

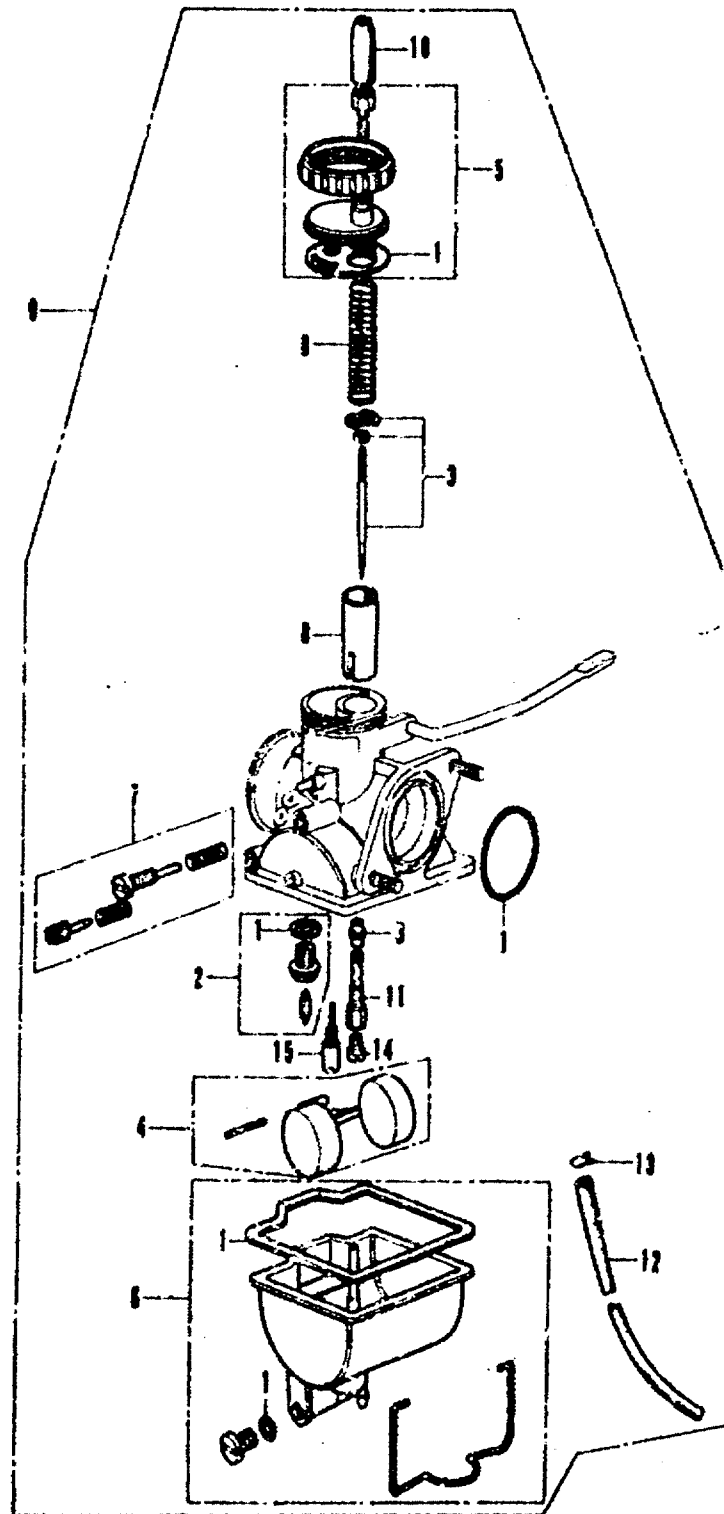


Ref. No.	Part No.	Description	QTY. No. XR75	Serial No.	Area. Code
1	11100-116-000	CRANKCASE COMP., R.	1		
2	11191-115-020	GASKET, CRANKCASE	1		
3	11200-116-000	CRANKCASE COMP., L.	1		
4	15421-035-010	SCREEN, OIL FILTER	1		
5	90031-116-000	BOLT A, CYLINDER STUD	3		
6	90032-035-000	BOLT B, CYLINDER STUD	2		
7	90407-259-000	PACKING, DRAIN COCK	1		
8	92800-12000	BOLT, DRAIN PLUG, 12M	1		
9	93500-06045	SCREW, PAN, 6X45	2		
10	94301-12200	PIN A, DOWEL, 12X20	2		
11	93001-5018J	TUBE, FUEL, 5.0X180	1		
12	95002-50000	CLIP, TUBE, C9	1		

C 14

E-13 Carburetor

E-13 Carburetor

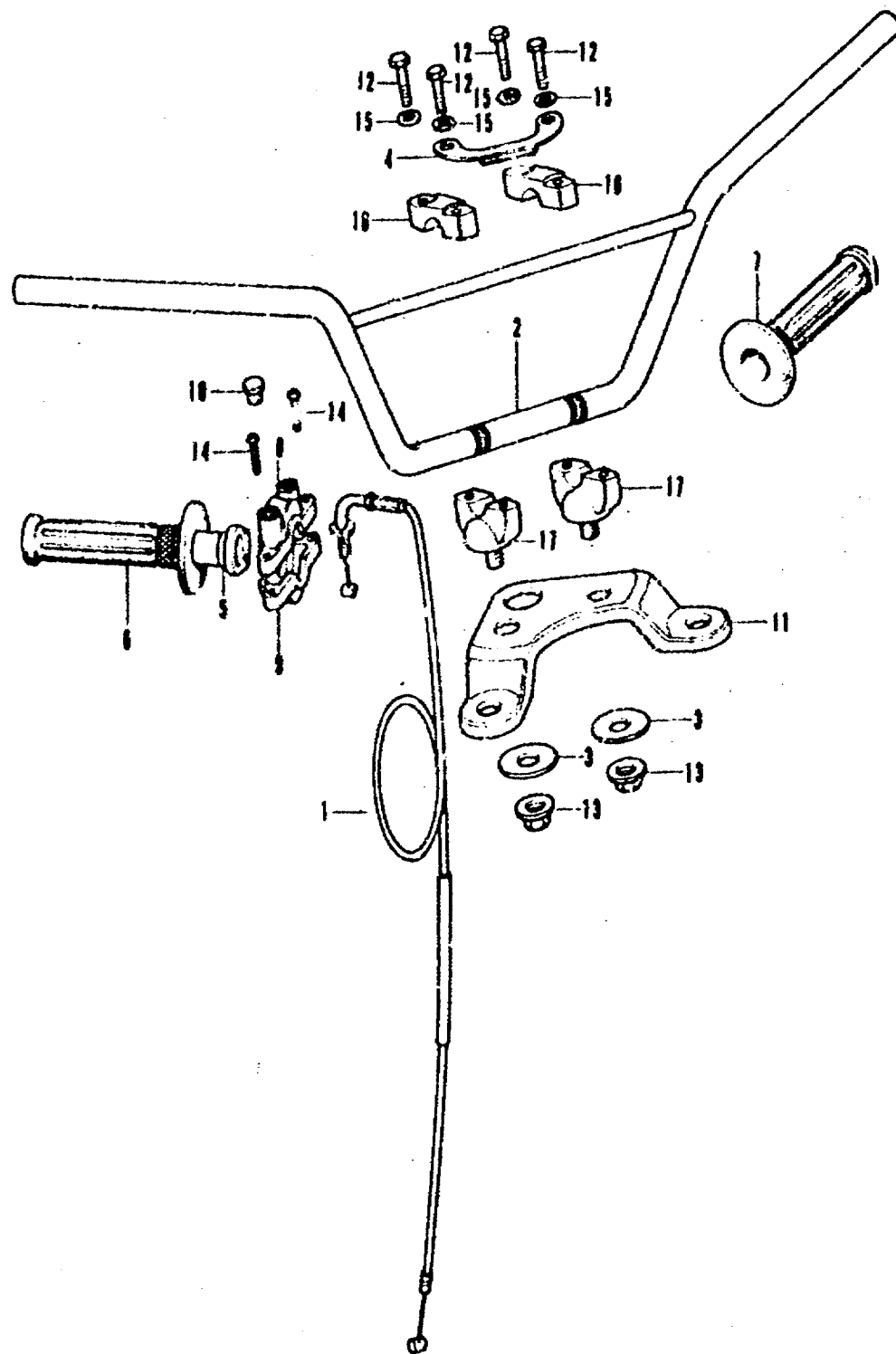


No.	Part No.	Description	AM/D
1	16010-107-004	GASKET SET	1
2	16011-116-004	VALVE SET, FLOAT	1
3	16012-116-004	NEEDLE SET, JET	1
4	16013-046-004	FLOAT SET	1
5	16014-306-004	TOP SET	1
6	16015-028-004	CHAMBER SET, FLOAT	1
7	16016-046-004	SCREW SET A	1
8	16022-107-004	VALVE SET, THROTTLE	1
9	16100-116-004	CARBURETOR ASSY.	1
10	16118-086-004	CAP, CABLE (KEIHIN)	1
11	16165-116-004	HOLDER, NEEDLE & JET	1
12	95001-35303-60	TUBE, FUEL, 3.5X300	1
13	95002-02070	CLIP, TUBE, #7	1
14	99114-246-1010	JET, MAIN (#100)	1
15	99124-223-0386	JET, SLOW (#38)	1

# F-1 Steering Handle

# C 15

# F-1 Steering Handle

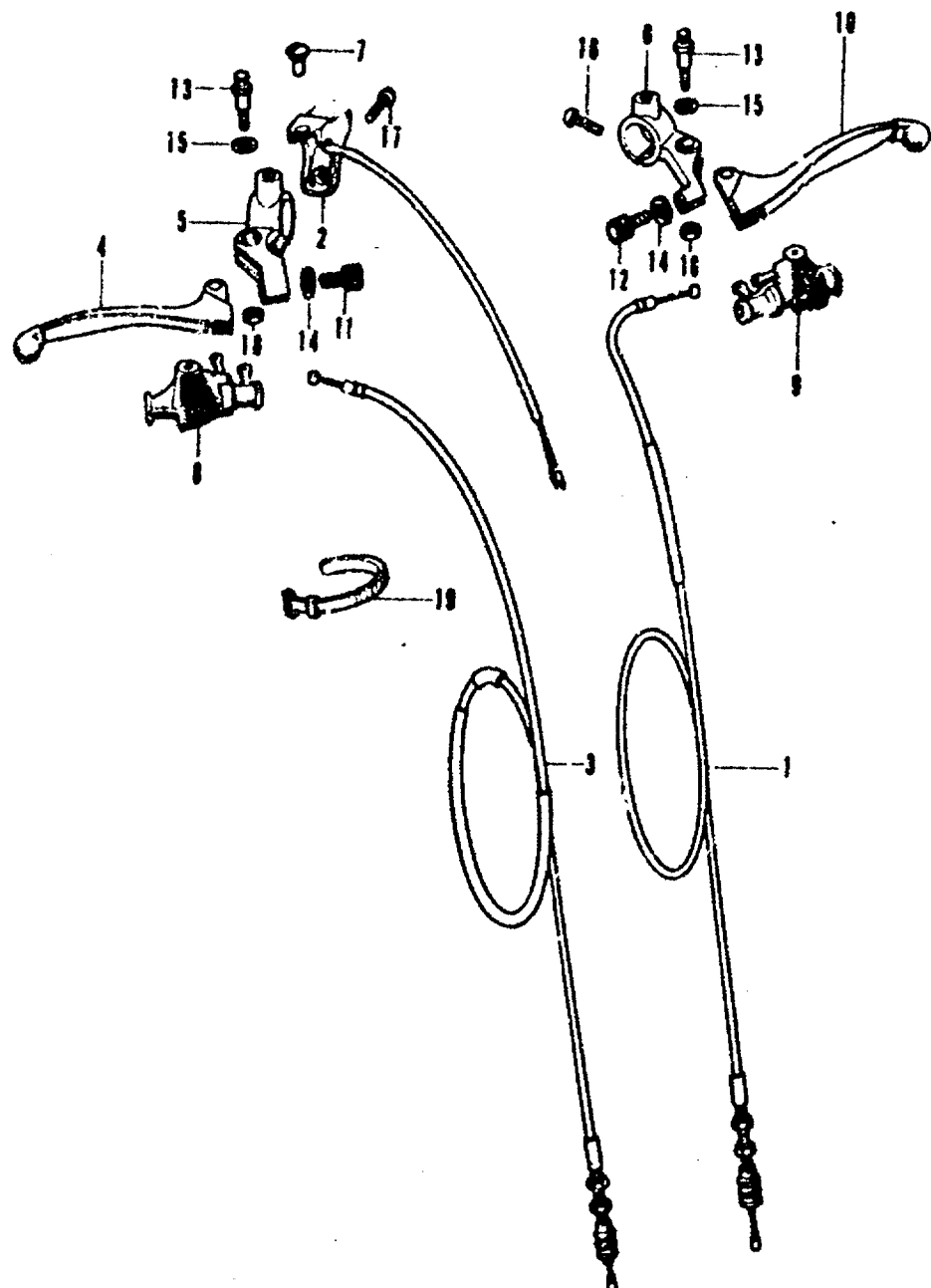


Part No.	Part Description	Reqd. No.	Part No.	Part Description	Reqd. No.
1	17910-116-670 CABLE COMP., THROTTLE	1			
2	53100-116-670 PIPE, STEERING HANDLE	1			
	53100-116-690 PIPE, STEERING HANDLE	1			
3	53135-028-000 SEAT, HANDLE CUSHION	2			
4	53139-107-771 HOLDER, CABLE	1			
5	53141-116-670 PIPE, THROTTLE GRIP	1			
6	53165-116-670 RUBBER, R. HANDLE	1			
7	53166-116-670 RUBBER, L. HANDLE	1			
8	53167-329-811 HOUSING, THROTTLE WINKER UPPER	1			
9	53168-329-811 HOUSING, THROTTLE WINKER LOWER	1			
10	53169-116-670 CAP, SEAL	1			
11	53231-116-67001 BRIDGE, FORK TOP	1			
12	90117-065-000 BOLT, HEX., 6X28	4			
13	90354-115-006 NUT, HEX., 10MM	2			
14	93500-06025 SCREW, PAN, 6X25	2			
15	94101-06000 WASHER, FLAIN, 6MM	4			
16	95014-21200 HOLDER B2, UPPER	2			
17	95014-32200 HOLDER B2, UNDER	2			

C 16

F-2 Kill Switch - Handle Lever

F-2 Kill Switch - Handle Lever

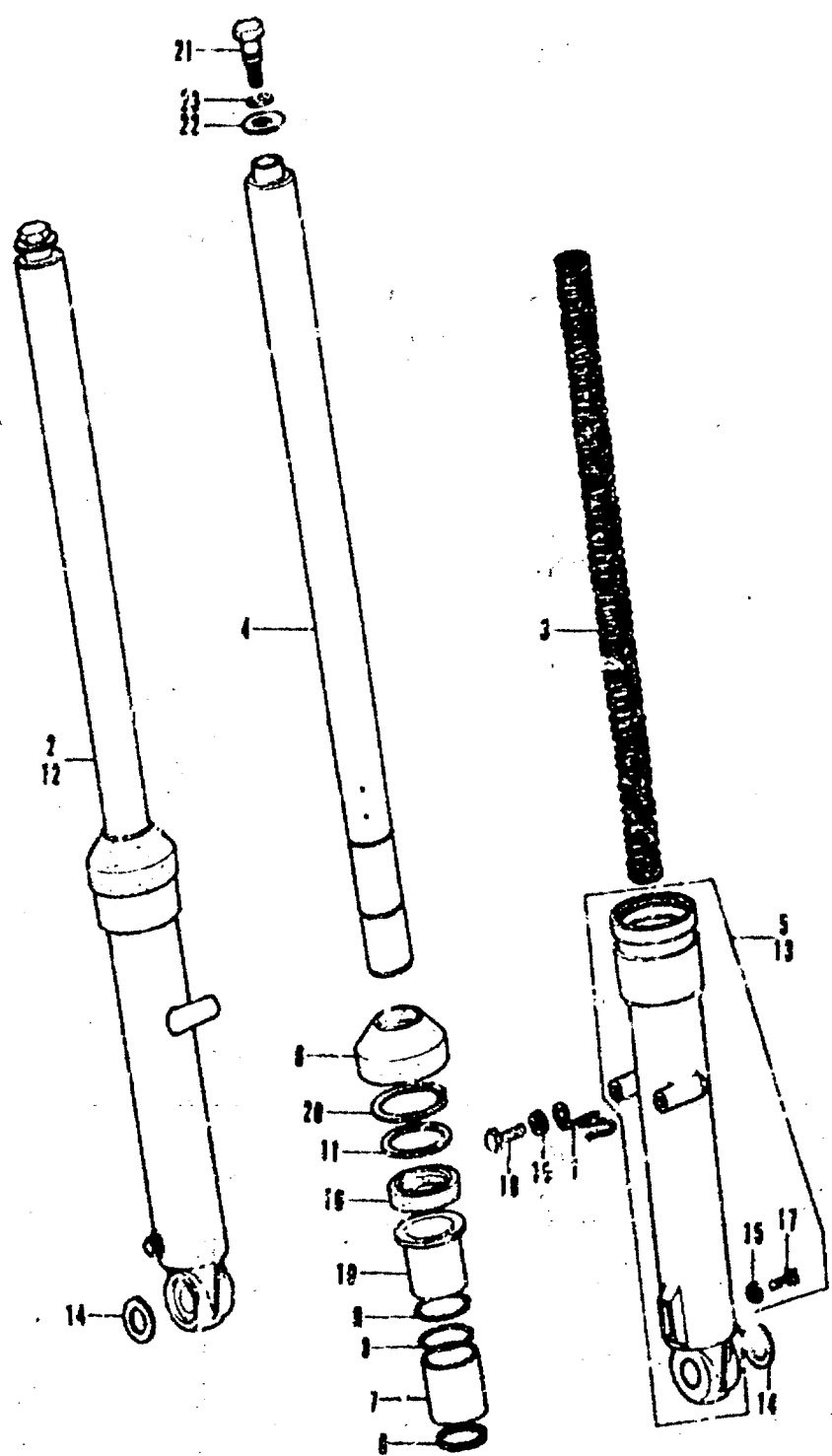


Ref.	Part No.	Description	Reqd. No.	Serial No.	Area Code
1	22870-116-670	CABLE COMP., CLUTCH	1		
2	35320-329-811	SWITCH ASSY., KILL	1		
3	45450-116-670	CABLE COMP., FR. BRAKE	1		
4	53170-074-670	LEVER COMP., R. STEERING HANDLE	1		
5	53171-312-003	BRACKET, R. HANDLE LEVER	1		
6	53172-310-010	BRACKET, L. HANDLE LEVER	1		
7	53174-116-670	PLUG, HANDLE LEVER BRACKET	1		
8	53176-329-000	COVER, R. STEERING HANDLE LEVER	1		
9	53179-329-000	COVER, L. STEERING HANDLE LEVER	1		
10	53150-074-670	LEVER COMP., L. STEERING HANDLE	1		
11	53192-203-006	BOLT, CLUTCH WIRE ADJUSTING	1		
12	53192-268-000	BOLT, CLUTCH WIRE ADJUSTING	1		
13	90114-329-003	BOLT, HANDLE LEVER PIVOT	2		
14	90321-315-670	NUT, FIXING	2		
15	70501-310-000	WASHER, 7X12	2		
16	93500-06025	SCREW, PAN, 6X25	1		
17	93500-06028	SCREW, PAN, 6X28	1		
18	94001-06000	NUT, HEX., 6MM	2		
19	95014-62100	BAND 81, WIRE	1		

F-3 Front Fork

D 1

F-3 Front Fork



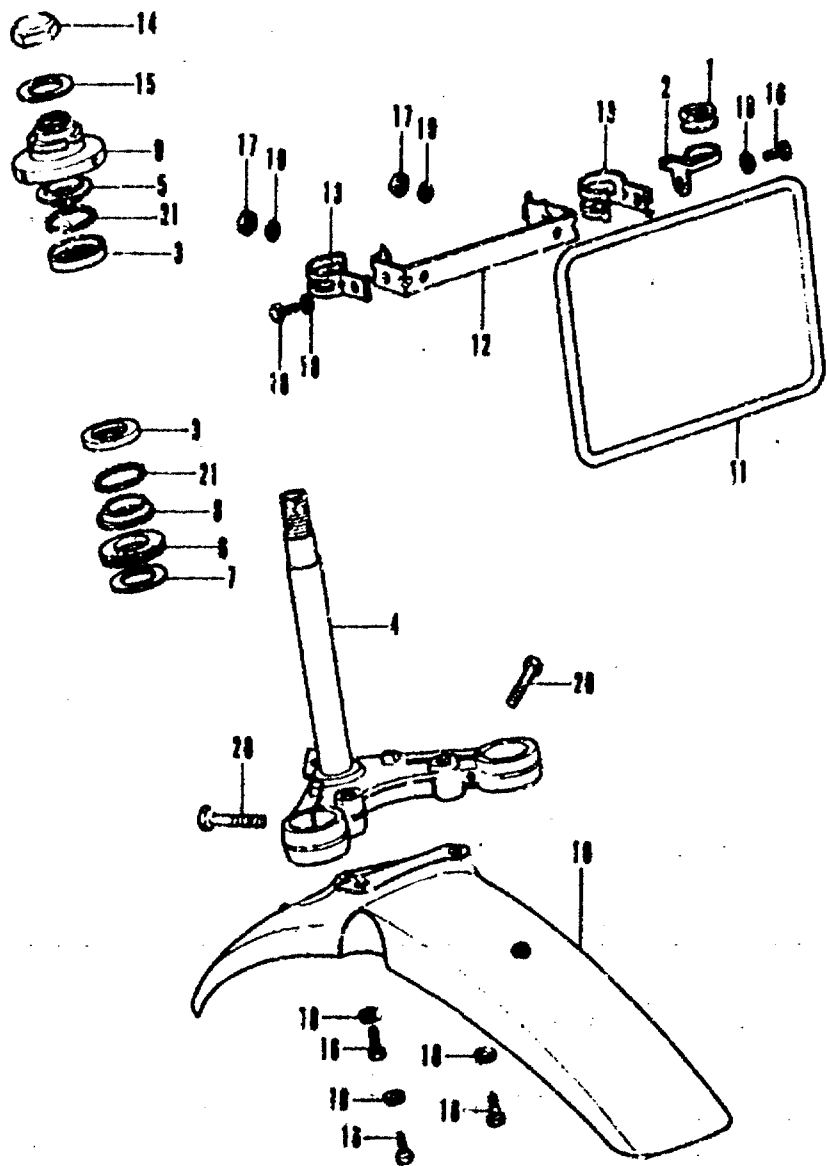
Ref. No.	Part No.	Description	Reqd. No. XR75	Serial No.	Area Code
1	49469-116-670	CLIP; FR. BRAKE CABLE	1		
2	51400-116-671	FORK ASSY.; R. FR.	1		
3	51401-118-000	SPRING; FR. CUSHION	2		
4	51410-116-671	PIPE; FR. FORK	2		
5	51420-116-671	PIPE COMP.; R. FR. FORK BOTTOM	1		
6	51425-118-013	SEAL; FR. FORK DUST	2		
7	51442-225-000	PISTON; FR. FORK	2		
8	51445-028-000	RING; FR. FORK PISTON SNAP	2		
9	51446-028-000	RING; PISTON STOPPER	4		
10	51451-118-000	GUIDE; FR. FORK PIPE	2		
11	51452-118-000	RING; BACK UP	2		
12	51500-116-671	FORK ASSY.; L. FR.	1		
13	51520-116-671	PIPE COMP.; L. FR. FORK BOTTOM	1		
14	90528-229-000	WASHER; 12.5MM	2		
15	90543-273-000	PACKING; FR. FORK DRAIN COCK	2		
16	90756-118-003	OIL SEAL; FR. FORK	2		
17	92000-04008	BOLT; HEX.; 6X8	2		
18	92000-06012	BOLT; HEX.; 6X12	1		
19	94101-06000	WASHER; PLAIN; 6MM	1		
20	94521-40000	CIR CLIP; 40MM	2		
21	94605-10101	BOLT A; FORK	2		
22	94606-13000	WASHER; FORK BOLT; 13MM	2		
23	94608-10000	O-RING; 8.4X2.4	2		

B116-16

F-4 Steering Stem - Front Fender

D 2

F-4 Steering Stem - Front Fender



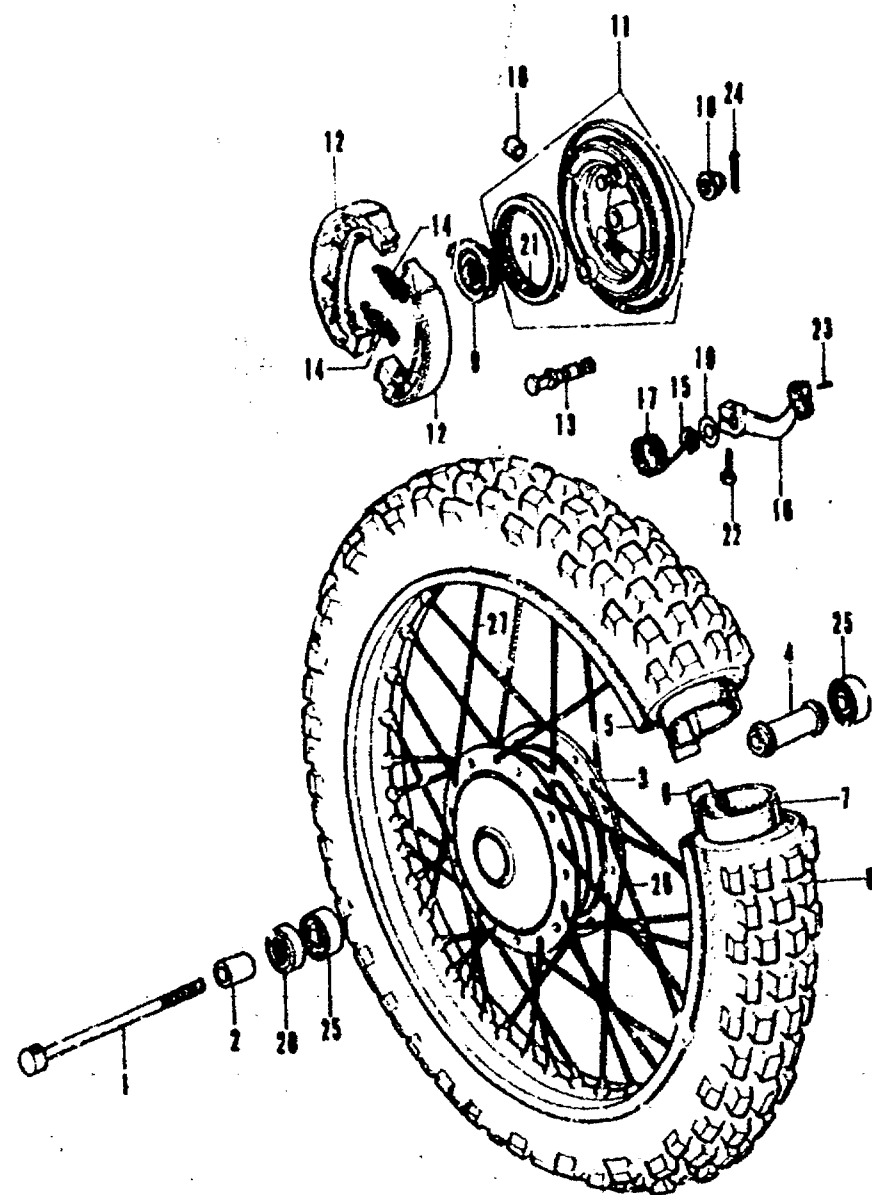
Ref. No.	Part No.	Description	Reqd. No. XR75	Serial No.	Area Code
1	45466-327-000	INNER, CABLE GUIDE	1		
2	45467-116-671	CLIP A, FR. BRAKE CABLE	1		
3	50391-041-305	RACE, STEERING TOP BALL	2		
4	53200-116-671H	STEM COYR., STEERING	1		
5	53211-028-305	RACE, STEERING TOP CONE	1		
6	53214-001-010	DUST SEAL, STEERING HEAD	1		
7	53215-001-000	WASHER, STEERING HEAD DUST SEAL	1		
8	53217-030-305	RACE, STEERING BOTTOM CONE	1		
9	53220-115-000	THREAD COMP., STEERING HEAD TOP	1		
10	61100-116-670QM	FENDER COMP., FR.	1		
11	64113-116-670B	PLATE, FR. NUMBER	1		
12	64114-116-670B	BRACKET, NUMBER PLATE	1		
13	64115-116-670B	STAY, FR. NUMBER STEERING	2		
14	90304-011-000	NUT, STEERING STEM	1		
15	90503-011-000	WASHER, STEERING STEM NUT	1		
16	92000-06016	BOLT, HEX., 6X16	5		
17	94001-06000	NUT, HEX., 6MM	2		
18	94101-06000	WASHER, PLAIN, 6MM	5		
19	94111-06070	WASHER, SPRING, 6MM	2		
20	95200-08032	BOLT, HEX., 8X32	2		
21	96211-06000	BALL, STEEL, 8C	42		

8116-17

F-5 Front Wheel

D 3

F-5 Front Wheel



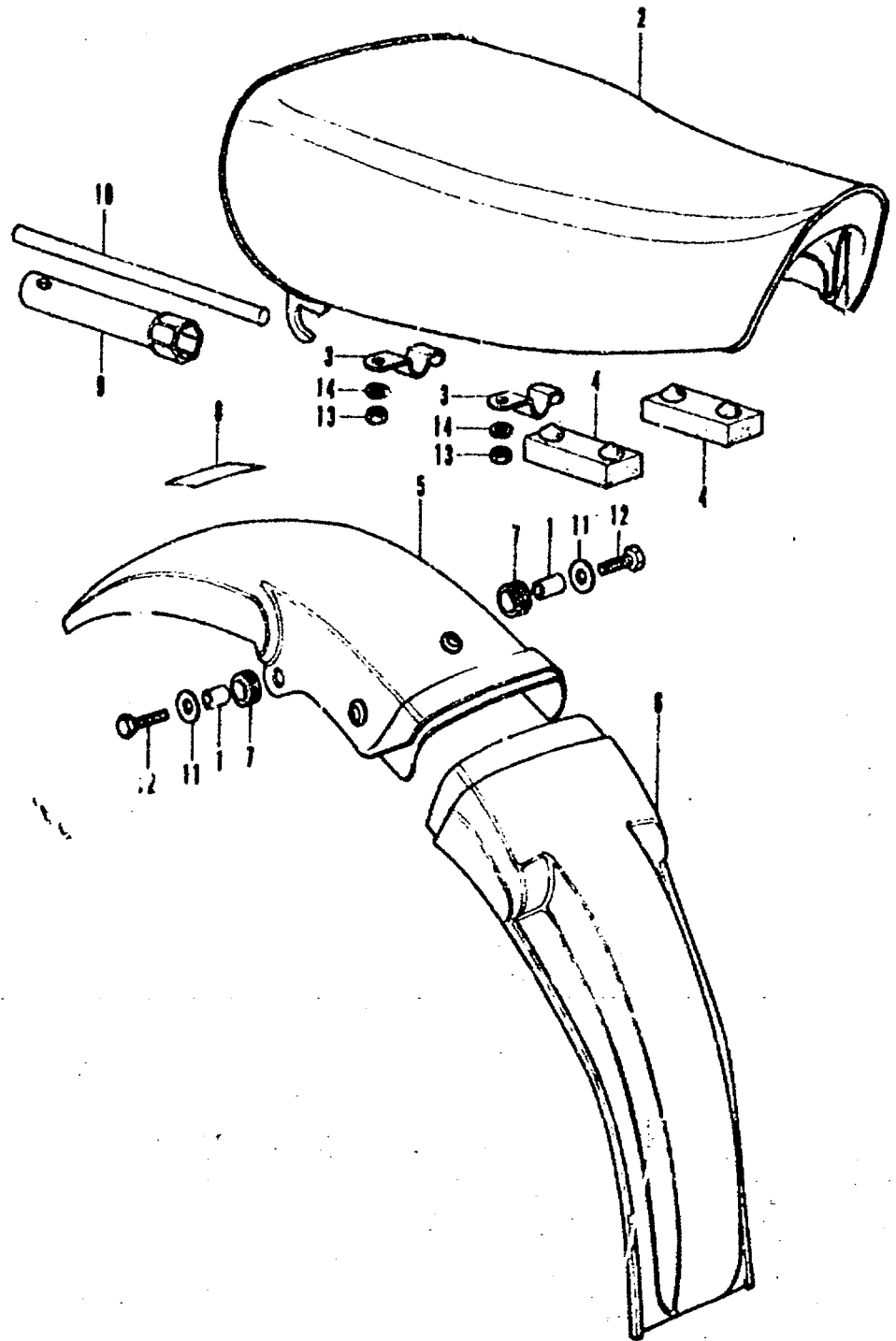
Ref. No.	Part No.	Description	Reqd. No. XR75	Serial No.	Area Code
1	44301-107-000	AXLE, FR. WHEEL	1		
2	44311-229-000	COLLAR, FR. WHEEL SIDE	1		
3	44601-116-670	HUB, FR. WHEEL	1		
4	44620-030-000	COLLAR, FR. AXLE DISTANCE	1		
5	44701-118-013	RIM, FR. WHEEL (OATDOG)	1		
6	44711-116-671	TIRE, FR. WHEEL (2.50-16)	1		
7	44712-1.6-671	TUBE, FR. WHEEL	1		
8	44713-116-671	FLAP, FR. TUBE	1		
9	44804-116-670	GEAR COMP., SPEEDOMETER	1		
10	44835-116-670	PLUG, SPEEDOMETER GEAR BOX	1		
11	45010-116-670	PANEL SUB COMP., FR.	1		
12	45120-001-010	SHOE COMP., FR. BRAKE	2		
13	45131-041-000	CAM, FR. BRAKE	1		
14	45133-028-000	SPRING, FR. BRAKE SHOE	2		
15	45134-121-000	SEAL, DUST	1		
16	45410-116-670	ARM COMP., FR. BRAKE	1		
17	45411-087-820	SPRING, FR. BRAKE ARM RETURN	1		
18	90205-051-000	NUT, RR. AXLE	1		
19	90548-121-000	WASHER, PLAIN, 12MM	1		
20	90755-229-000	OIL SEAL, 21X29X7	1		
21	91231-121-000	OIL SEAL, 47X60X7	1		
22	92000-06020	BOLT, HEX., 6X20	1		
23	94201-20150	PIN, SPLI, 2.0X15	1		
24	94201-30250	PIN, SPLI, 3.0X25	1		
25	96140-63010	BEARING, RADIAL BALL, 6301R	2		
26	97255-31137-10	SPOKE A, 11X140.5	10		
27	97491-31136-10	SPOKE A, 11X140	10		



D 4

F-6 Seat - Rear Fender

F-6 Seat - Rear Fender



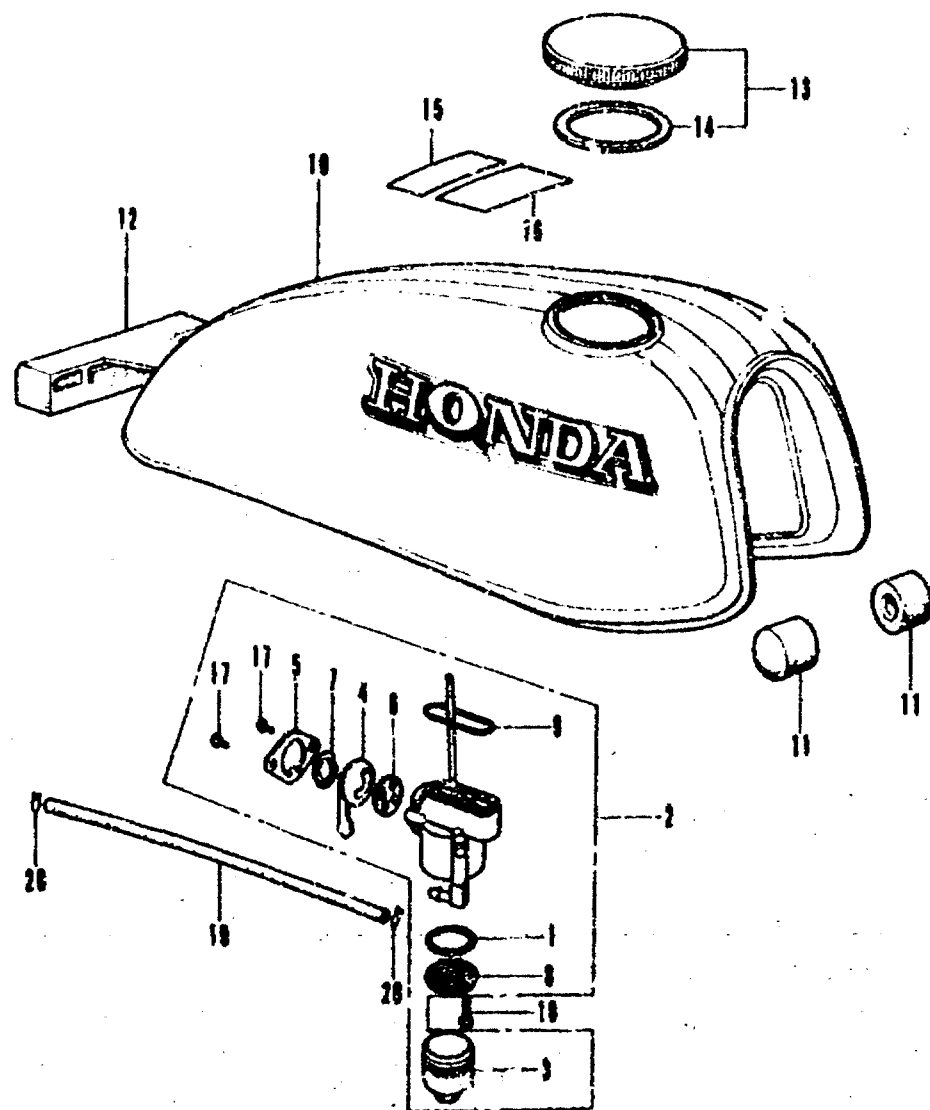
Ref No.	Part No.	Description	Reqd. No. XR75	Serial No.	Area Code
1	33603-053-650	COLLAR; NR. HINER STAY	2		
2	77100-116-672A	SEAT ASSY.	1		
3	77136-114-670	PLATE; HOLDER PLUG WRFNCH	2		
4	77205-286-000	RUBBER B; SEAT SETTING	2		
5	80100-116-6710N	FENDER COMP.; RR.	1		
6	80101-116-0708	FENDER B; RR.	1		
7	80101-283-000	RUBBER; RR. FENDER CUSHION	2		
8	87505-116-670	MARK; FIRE CAUTION	1		
9	89216-045-670	WRENCH; PLUG	1		
10	89217-045-670	BAR; HANDLE	1		
11	90525-030-000	WASHER B; HANDLE HOLDER SETTING	2		
12	92000-06020	BOLT; HEX.; 6X20	2		
13	94001-06000	NUT; HEX.; 6MM	2		
14	94101-06000	WASHER; PLAIN; 6MM	2		

B116-19

F-7 Fuel Tank

D 5

F-7 Fuel Tank

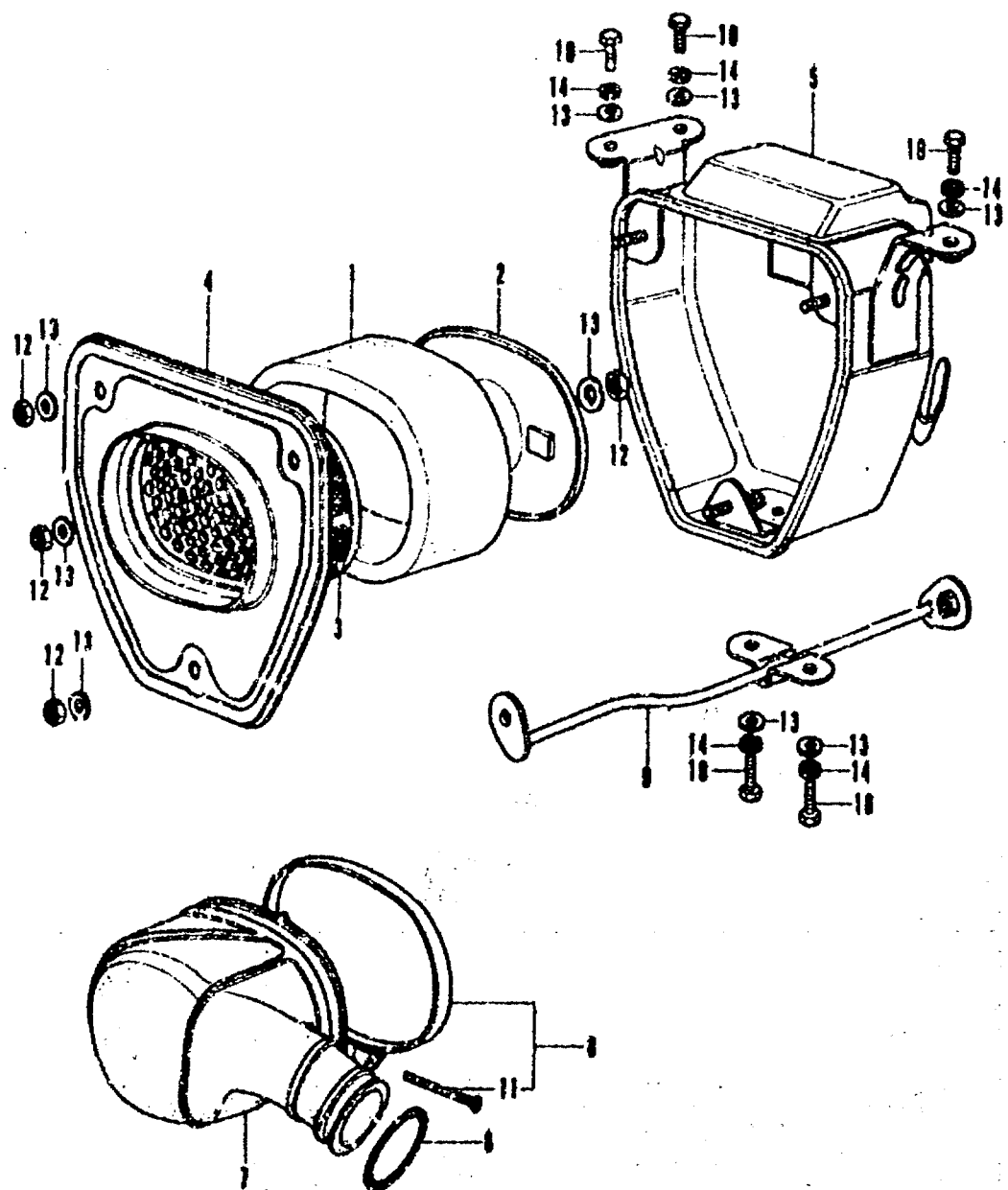


Ref. No.	Part No.	Description	Rev. No. XR75	Serial No.	Area Code
1	16173-001-004	PAKING; FUEL STRAINER CUP	1		
2	16950-116-671	COCK ASSY.; FUEL	1		
3	16952-028-000	CUP; FUEL STRAINER	1		
4	16953-011-000	LEVER; FUEL COCK	1		
5	16954-028-000	PLATE; COCK LEVER SETTING	1		
6	16955-028-004	GASKET; COCK LEVER (KEIHINI)	1		
7	16956-028-004	SPRING; COCK LEVER (KEIHINI)	1		
8	16957-028-000	SCREEN; FUEL STRAINER	1		
9	16997-273-006	O-RING; 23MM	1		
10	17500-116-6700N	TANK ASSY.; FUEL	1		
11	17611-303-000	PAD; FUEL TANK; FR.	2		
12	1713-051-010	CUSHION; FUEL TANK RR.	1		
13	17020-292-020	CAP; FUEL FILLER	1		
14	17631-204-000	GASKET; FUEL FILLER CAP	1		
15	87504-045-0209	LABEL A; CAUTION	1		
16	87560-323-670B	MARK; DRIVE CAUTION	1		
17	93500-03006-0A	SCREW; PAN; 3X6	2		
18	93500-06016	SCREW; PAN; 4X16	1		
19	95001-45240-40	TUBE; FUEL; 4.5X240	1		
20	95002-0208G	CLIP; TUBE; B8	2		

F-8 Air Cleaner

D 6

F-8 Air Cleaner



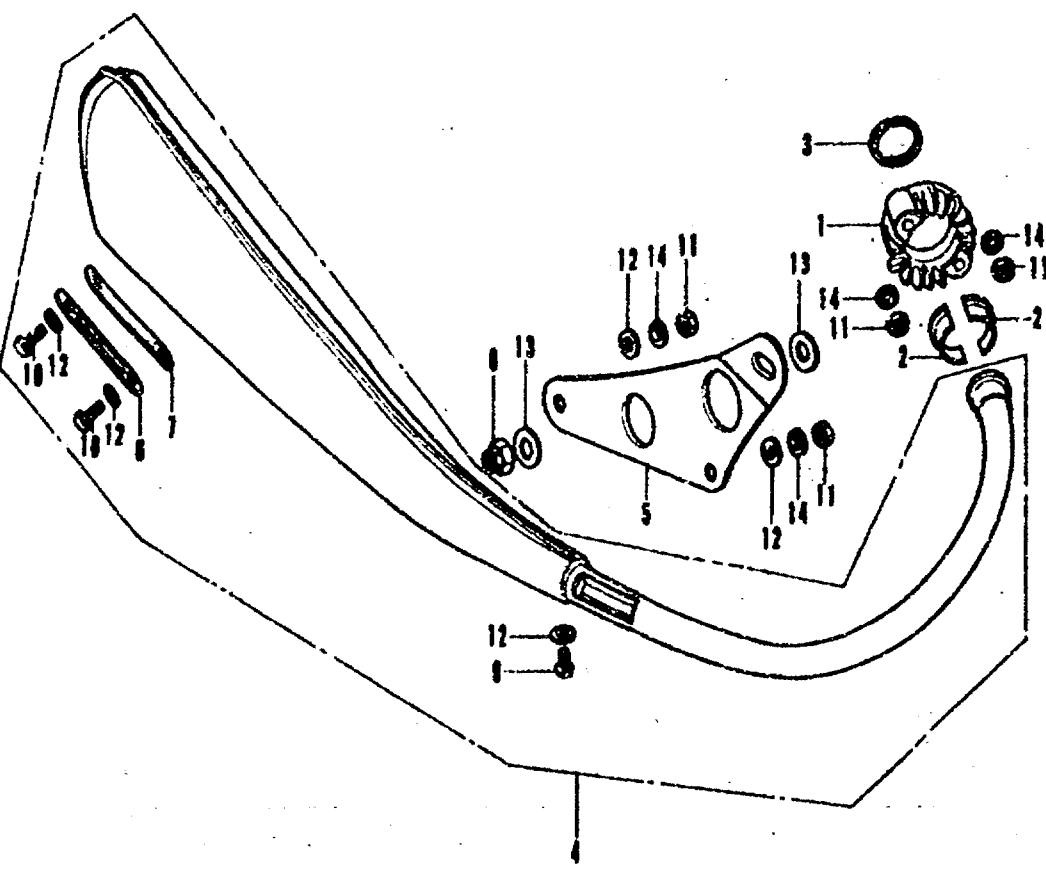
Ref. No.	Part No.	Description	Reqd. No. XR75	Serial No.	Area Code
1	17211-107-020	ELEMENT, AIR CLEANER	1		
2	17212-107-700	CAP, AIR CLEANER ELEMENT	1		
3	17214-107-700	TRAP COMP., FRAME	1		
4	17220-116-670B	COVER, AIR CLEANER CASE	1		
5	17230-116-571B	CASE COMP., AIR CLEANER	1		
6	17231-051-000	BAND A, AIR CLEANER IN. PIPE	1		
7	17253-116-670	TUBE, AIR CLEANER CONNECTING	1		
8	17255-107-000	BAND, CLEANER CONNECTING TUBE	1		
9	50156-116-670B	STAY, SIDE NUMBER	1		
10	92000-06012	BOLT, HEX., 6X12	5		
11	93500-04025-0A	SCREW, PAN, 4X25	1		
12	94001-06000	NUT, HEX., 6MM	4		
13	94101-06000	WASHER, PLAIN, 6MM	9		
14	94111-06000	WASHER, SPRING, 6MM	5		

F-9 Exhaust Muffler

D 7

F-9 Exhaust Muffler

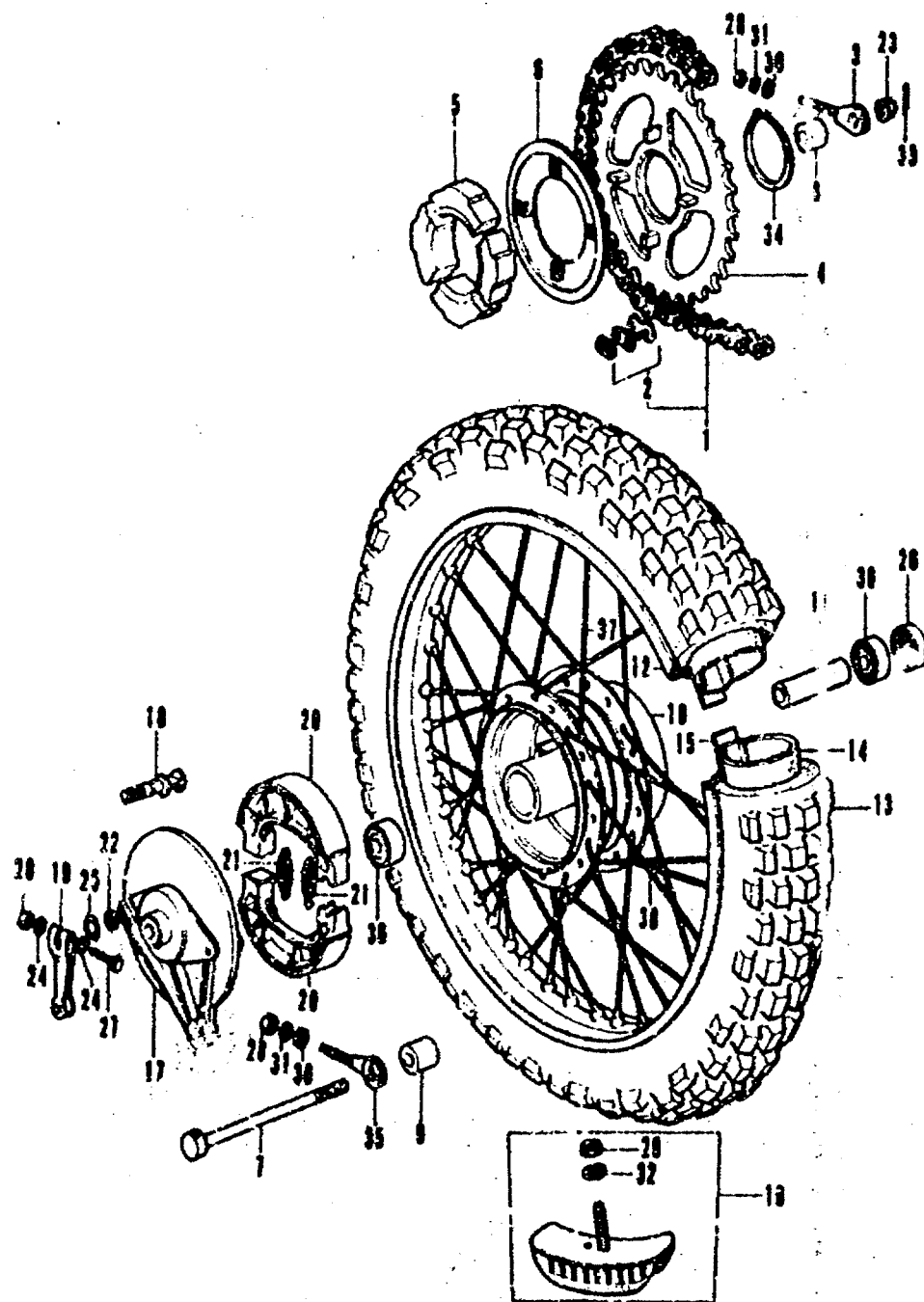
Ref. No.	Part No.	Description	Reqd. No. XR75	Serial No.	Area Code
1	18231-115-010	JOINT, EX. PIPE	1		
2	18233-115-010	COLLAR, EX. PIPE JOINT	2		
3	18291-115-000	GASKET, EX. PIPE	1		
4	18300-116-672CJ 18300-116-672SH	MUFFLER COMP., EX.	1		
5	18340-116-670CJ	STAY, MUFFLER HANGER	1		
6	18373-310-000	LID, MUFFLER	1		
7	18374-310-000	GASKET, MUFFLER LID	1		
8	90351-268-000	NUT, SELF LOCK, 10MM	1		
9	93500-06008-49	SCREW, PAN, 6X8	1		
10	93500-06012-49	SCREW, PAN, 6X12	2		
11	94091-06000	NUT, HEX., 6MM	4		
12	94101-06000	WASHER, PLAIN, 6MM	5		
13	94101-10000	WASHER, PLAIN, 10MM	2		
14	94111-06000	WASHER, SPRING, 6MM	4		



# F-10 Rear Wheel

D 8

# F-10 Rear Wheel



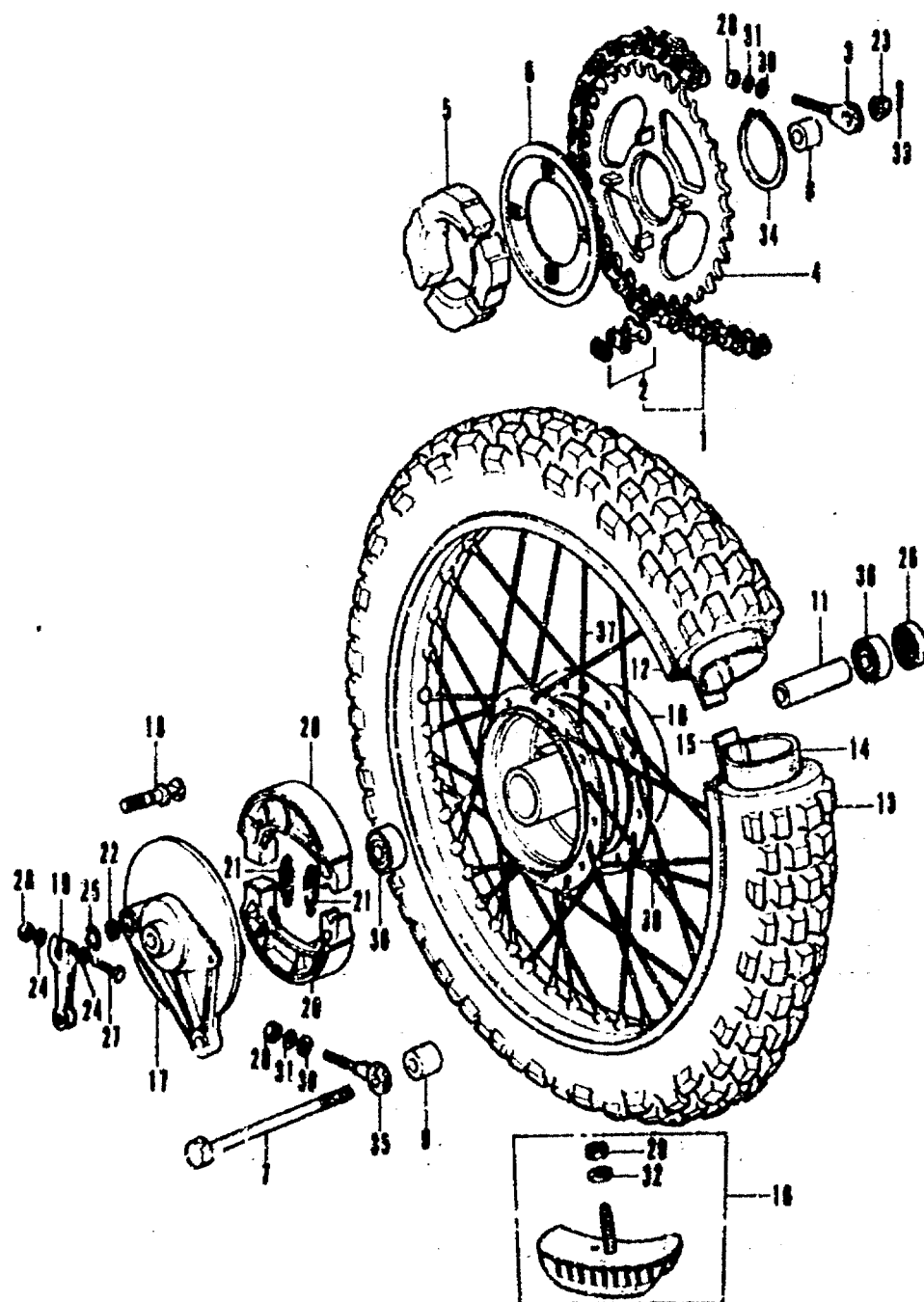
Ref. No.	Part No.	Description	Reqd. No. XR75	Serial No.	Area Code
1	40530-116-671	CHAIN, DRIVE	1		
	40530-061-003	CHAIN, DRIVE (102L DAIKOO)	(1)		
	40530-061-005	CHAIN, DRIVE (102L TAKASAGO)	(1)		
	40530-116-811	CHAIN, DRIVE (104L DAIKOO)	(1)		
2	40531-098-003	JOINT, DRIVE CHAIN (DAIKOO) (OPTIONAL PARTS)	1		
	40531-061-005	JOINT, DRIVE CHAIN (TAKASAGO)	(1)		
3	40544-061-000	ADJUSTER, L. DRIVE CHAIN	1		
4	41201-118-000	SPROCKET, FINAL DRIVEN (44T)	1		
	41201-118-820	SPROCKET, FINAL DRIVEN (49T)	(1)		
	41202-118-810	SPROCKET, FINAL DRIVEN (46T)	(1)		
5	41241-051-000	DAMPER, RR. WHEEL	4		
6	41245-051-000	COVER, RR. WHEEL DAMPER	1		
7	42301-051-020	AXLE, RR. WHEEL	1		
8	42304-098-000	COLLAR, RR. WHEEL SIDE	1		
9	42313-051-000	COLLAR, RR. BRAKE PANEL SIDE	1		
10	42601-115-000	HUB COMP., RR. WHEEL	1		
11	42620-051-000	COLLAR, RR. AXLE DISTANCE	1		
12	42701-116-671	RIM, RR. WHEEL	1		
13	42711-116-672	TIRE, RR. WHEEL (3.00-14)	1		
14	42712-116-672	TUBE, RR. WHEEL	1		
15	42713-116-671	FLAP, RR. TUBE	1		
16	42715-116-671	STOPPER, RR. WHEEL TIRE BEAD 1.60A	1		
17	43100-115-000	PANEL COMP., RR. BRAKE	1		
18	43161-107-010	CAM, RR. BRAKE	1		
19	43410-041-020	ARM, RR. BRAKE	1		
20	45120-001-010	SHOE COMP., FR. BRAKE	2		
21	45133-028-000	SPRING, FR. BRAKE SHOE	2		
22	45134-250-000	SEAL, BRAKE CAM OAST	1		
23	90305-051-000	NUT, RR. AXLE	1		
24	90525-001-000	WASHER, RR. BRAKE ARM	2		

F-10 Rear Wheel

D 9

F-10 Rear Wheel

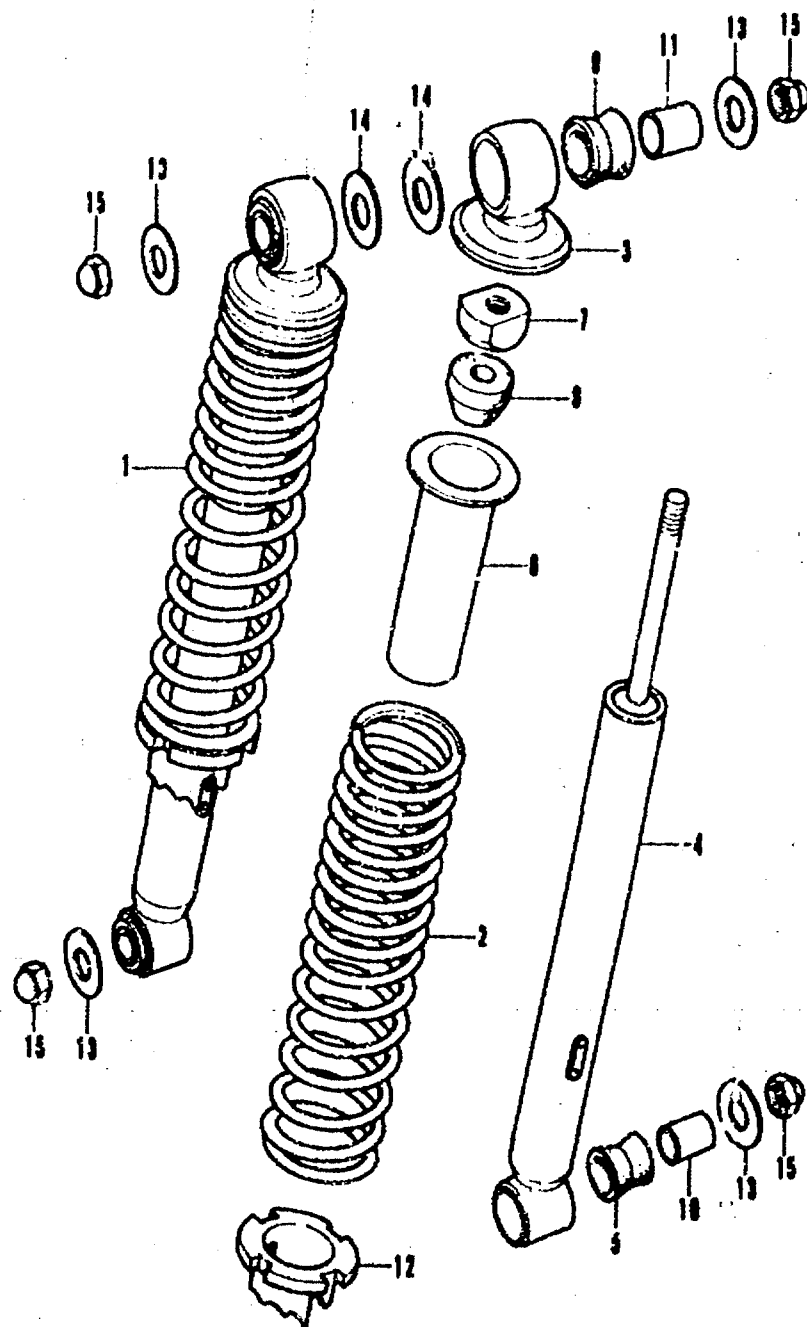
Ref. No.	Part No.	Description	Reqd. No. XR75	Serial No.	Area Code
25	90549-121-000	WASHER, PLAIN, 14MM	1		
26	90793-051-000	OIL SEAL, 26X37X6	1		
27	92000-06036	BOLT, HEX., 6K36	1		
28	94001-06000	NUT, HEX., 6MM	3		
29	94001-08020-05	NUT, HEX., 8MM	1		
30	94101-06000	WASHER, PLAIN, 6MM	2		
31	94111-06000	WASHER, SPRING, 6MM	2		
32	94111-08000	WASHER, SPRING, 8MM	1		
33	94201-30250	PIN, SPLIT, 3.0X25	1		
34	94510-50000	CIR CLIP, EXTERNAL, 50MM	1		
35	95014-10100	ADJUSTER A, RIGHT CHAIN	1		
36	96140-63010	BEARING, RADIAL BALL, 6301R	2		
37	97283-42089-10	SPOKE 8, 10X124.5	10		
38	97600-42060-10	SPOKE 8, 10X124	10		



F-11 Rear Cushion

D 10

F-11 Rear Cushion



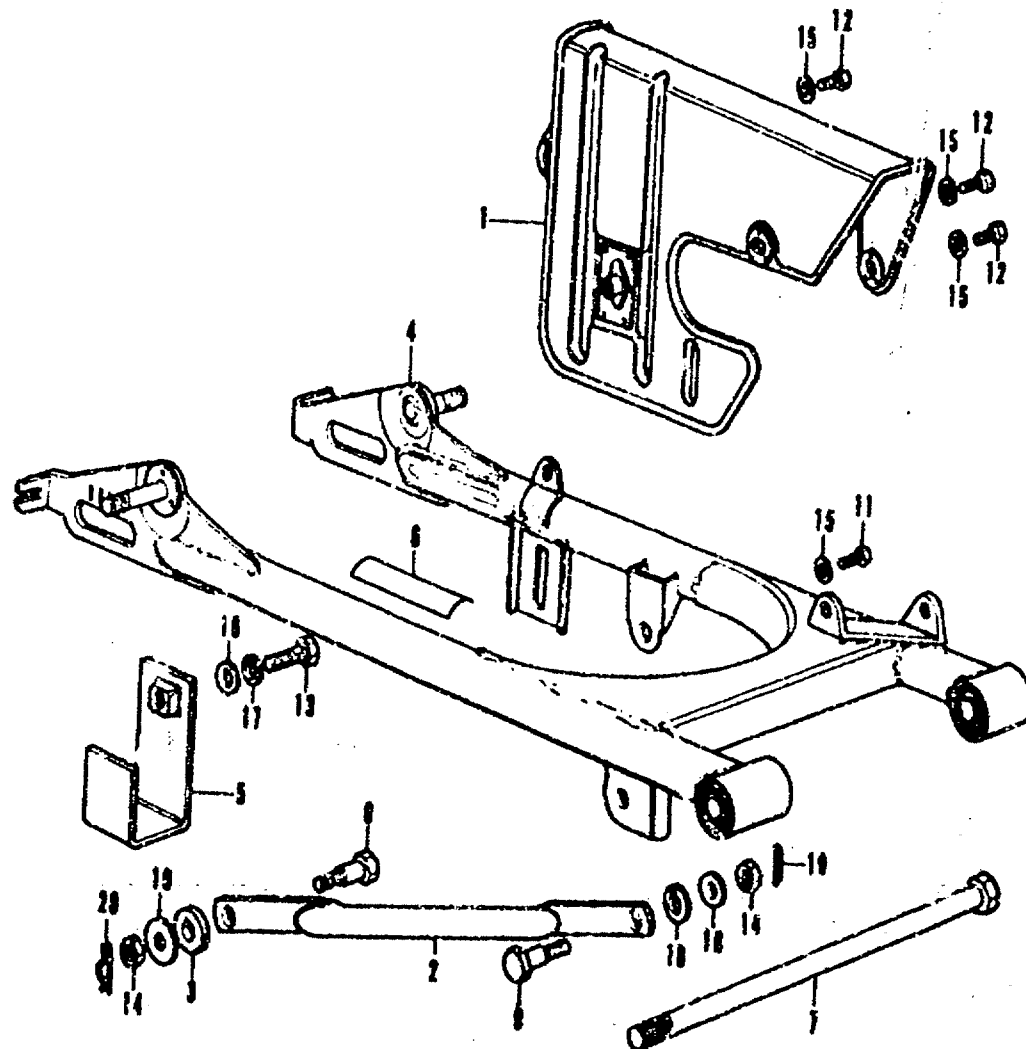
Ref. No.	Part No.	Description	Reqd. No. XR75	Serial No.	Area Code
1	52400-116-671	CUSHION, RR.	2		
2	52407-118-771	SPRING, RR. CUSHION	2		
3	52410-303-020	METAL, RR. CUSHION UPPER	2		
4	52450-118-771	DAMPER COMP., RR.	2		
5	52476-001-020	BUSH, RR. CUSHION RUBBER	2		
6	52476-118-770	GUIDE, RR. CUSHION SPRING	2		
7	52482-028-030	NUT, RR. CUSHION LOCKING	2		
8	52483-107-003	RUBBER, RR. CUSHION STOPPER	2		
9	52485-118-000	BUSH, RR. CUSHION	2		
10	52486-001-000	COLLAR, RR. CUSHION RUBBER BUSH	2		
11	52488-001-000	COLLAR, RR. CUSHION UPPER RUBBER BUSH	2		
12	52490-116-671	ADJUSTER, RR. CUSHION SPRING	2		
13	90527-230-000	WASHER, PLAIN, 10.3MM	4		
14	90531-011-010	WASHER, 12MM	2		
15	94021-10000-05	NUT, CAP, 10MM	4		



F-12 Rear Fork • Chain Case

D 11

F-12 Rear Fork • Chain Case

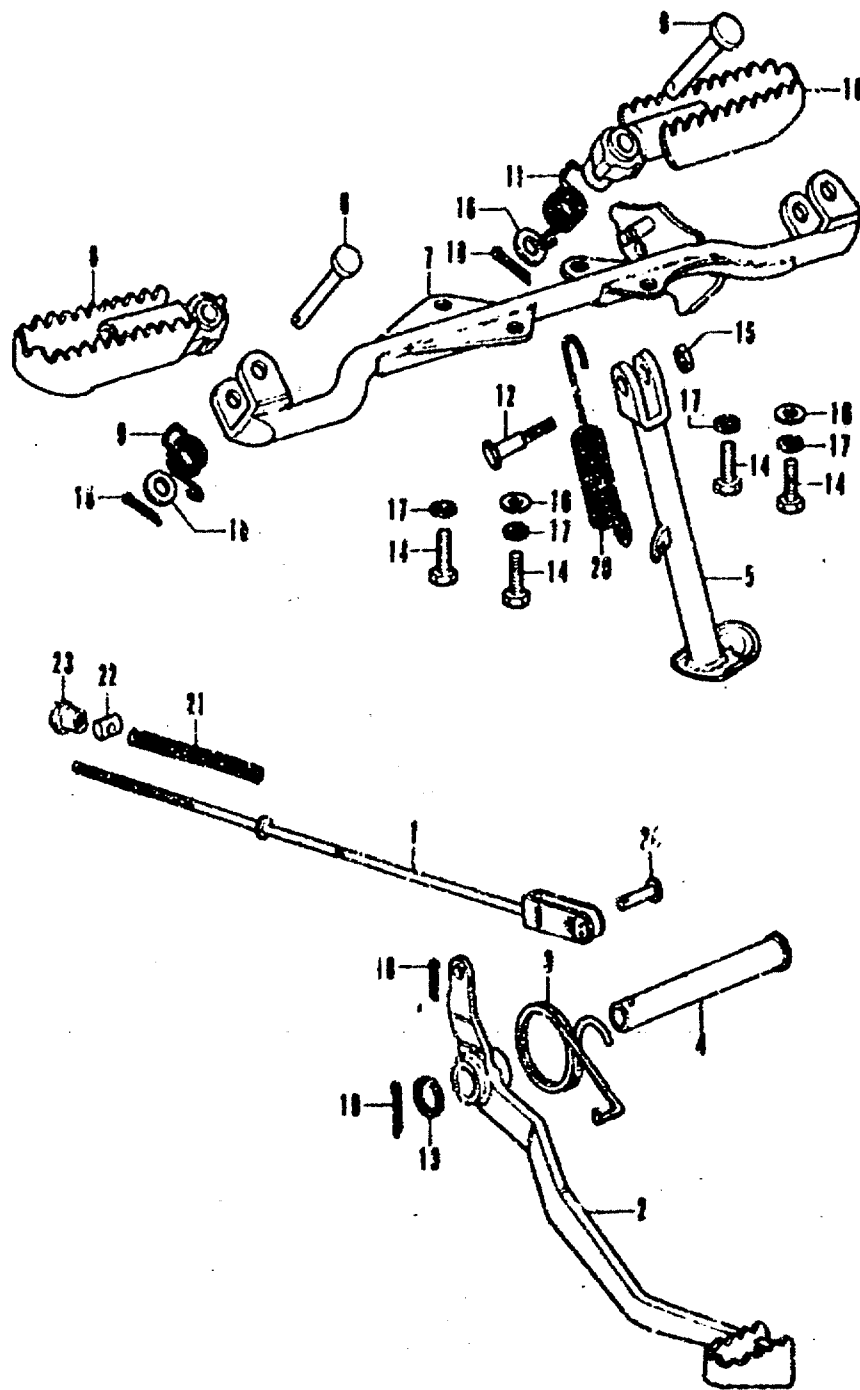


Ref. No.	Part No.	Description	Reqd. No. XR73	Serial No.	Area Code
1	40510-116-6718	CASE, DRIVE CHAIN	1		
2	43432-116-671	ARM, RR. BRAKE STOPPER	1		
3	43434-286-000	RUBBER, STOPPER ARM CUSHION	1		
4	52100-116-6718	FORK COMP., RS.	1		
5	52156-074-000	GUARD, CHAIN	1		
6	87506-045-000	LABEL C, CAUTION	1		
7	90121-116-670	BOLT, RR. FORK PIVOT	1		
8	90127-001-010	BOLT, RR. BRAKE TORQUE	1		
9	90133-331-770	BOLT, RR. BRAKE STOPPER ARM	1		
10	90524-030-000	WASHER A, HANDLE HOLDER SETTING	1		
11	92000-06008	BOLT, HEX., 6X8	1		
12	92000-06012	BOLT, HEX., 6X12	3		
13	92000-08016-0A	BOLT, HEX., 8X16	1		
14	94001-08000-0S	NUT, HEX., 8MM	2		
15	94101-06000	WASHER, PLAIN, 6MM	2		
16	94101-08000	WASHER, PLAIN, 8MM	2		
17	94111-08000	WASHER, SPRING, 8MM	1		
18	94111-10000	WASHER, SPRING, 10MM	1		
19	94201-20150	PIN, SPLIT, 2.0X15	1		
20	94251-08000	PIN, LOCK, 8MM	1		

F-13 Brake Pedal - Side Stand

D 12

F-13 Brake Pedal - Side Stand

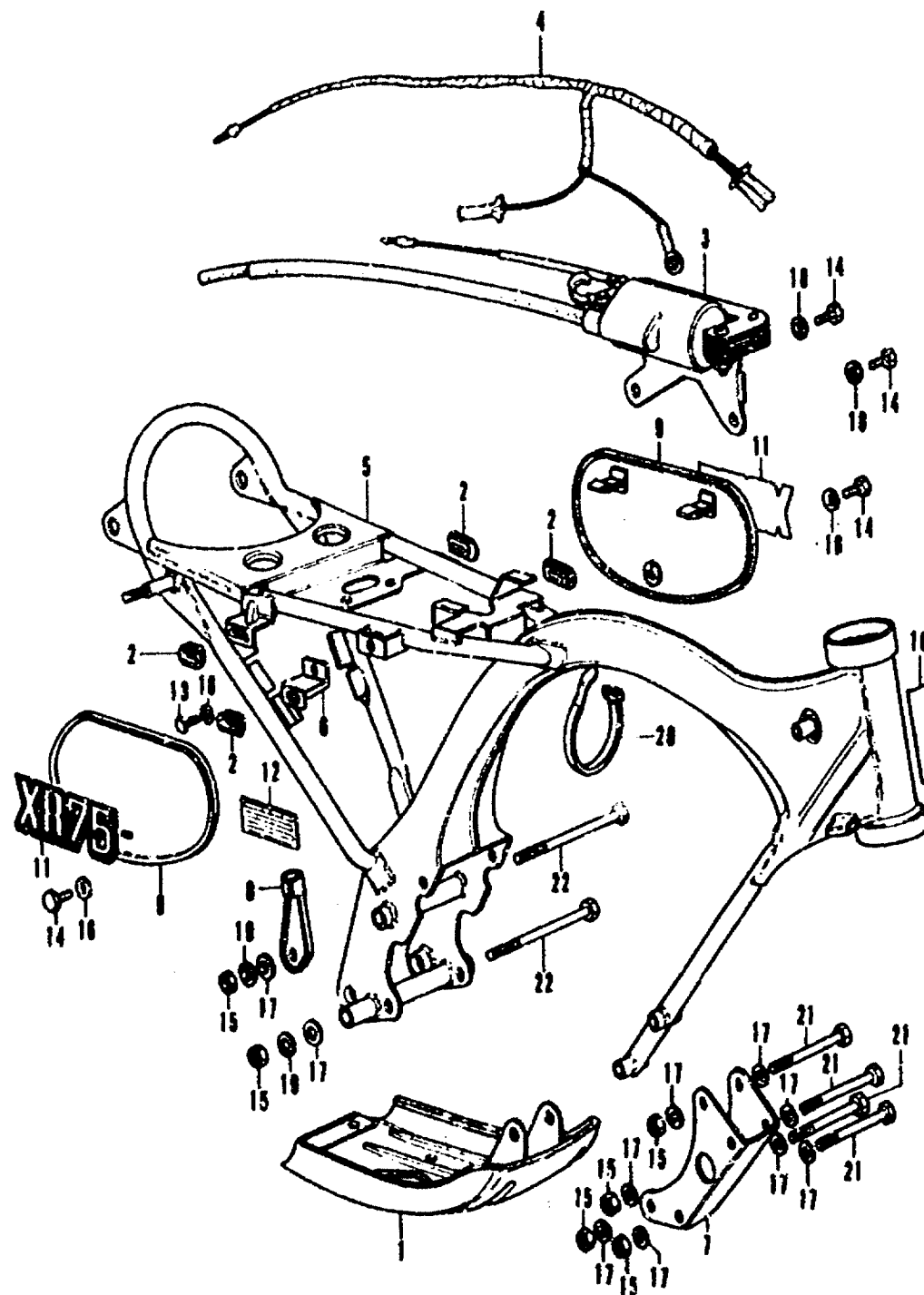


Ref. No.	Part No.	Description	Reqd. No. XR75	Serial No.	Area Code
1	53451-116-672	ROD, RR. BRAKE	1		
2	46500-116-672	PEDAL, BRAKE	1		
5	46514-116-670	SPRING, BRAKE PEDAL	1		
4	50526-115-020	PIPE, MAIN STAND PIVOT	1		
5	50530-116-670B	BAR COMP., SIDE STAND	1		
6	50603-033-000	PIN, STEP BAR JOINT	2		
7	50610-116-671B	BAR COMP., STEP	1		
8	50616-110-790	ARM COMP., R. STEP	1		
9	50617-283-000	SPRING, R. STEP RETURN	1		
10	50642-110-790	ARM COMP., L. STEP	1		
11	50644-283-000	SPRING, L. STEP RETURN	1		
12	90108-223-000	SCREW, SIDE STAND PIVOT	1		
13	90521-028-000	WASHER, 17X22	1		
14	92000-08020-0A	BOLT, HEX., 8X20	4		
15	94002-10000-0S	NUT, HEX., 10MM	1		
16	94101-08000	WASHER, PLAIN, 8MM	4		
17	94111-08000	WASHER, SPRING, 8MM	4		
18	94201-16150	PIN, SPLIT, 1.6X15	3		
19	94201-30250	PIN, SPLIT, 3.0X25	1		
20	95014-72101	SPRING A, SIDE STAND	1		
21	95014-73100	SPRING A, BRAKE ROD	1		
22	95015-31000	JOINT A, BRAKE ARM	1		
23	95015-41000	NUT A, ADJUSTING	1		
24	95015-52000	PIN B, JOINT	1		

F-14 Frame Body

D 13

F-14 Frame Body



Ref. No.	Part No.	Description	Reqd. No. XR75	Serial No.	Area Code
1	11911-116-6708	PROTECTOR, CRANKCASE	1		
2	17247-292-010	GROMMET A, AIR CLEANER CASE	4		
3	30500-115-013	COIL ASSY., A.C. IGNITION (TOYO)	1		
4	32100-116-670	HARNESS, WIRE	1		
5	50100-116-6729	BODY COMP., FRAME	1		
6	50252-116-6708	STAY B, R. HAND NUMBER SETTING	1		
7	50351-115-6728	PLATE, FR. ENGINE HANGER	1		
8	50356-115-000	RECEIVER, CLUTCH CABLE	1		
9	83510-116-6700M	PLATE, SIDE NUMBER	2		
10	87125-041-690	PLATE, NAME	1		
11	87128-116-670	MARK, SIDE NUMBER PLATE	2		
12	67508-120-000	LABEL, AIR CLEANER CAUTION	1		
13	92000-06010	BOLT, HEX., 6X10	1		
14	92000-06012	BOLT, HEX., 6X12	4		
15	94030-08000	NUT, HEX., 8MM	6		
16	94101-06000	WASHER, PLAIN, 6MM	3		
17	94101-08000	WASHER, PLAIN, 8MM	10		
18	94111-06000	WASHER, SPRING, 6MM	2		
19	94111-08000	WASHER, SPRING, 8MM	2		
20	95014-61300	BAND A3, WIRE	1		
21	95300-08060	BOLT, HEX., 8X60	4		
22	95300-08100	BOLT, HEX., 8X100	2		

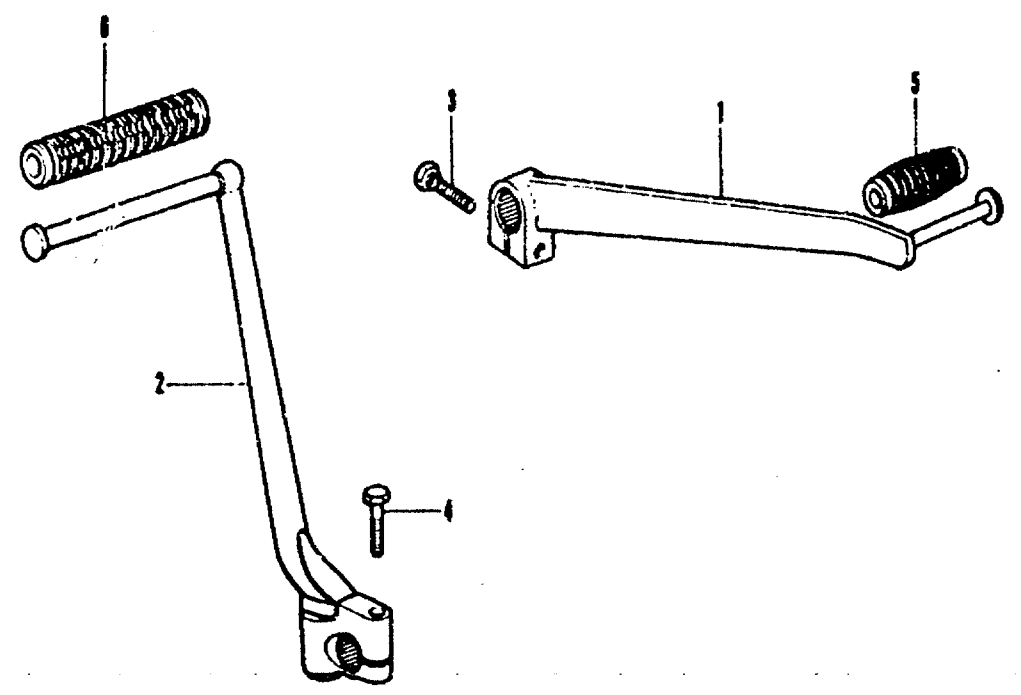
8116-27

F-15 Change Pedal - Kick Arm

D 14

F-15 Change Pedal - Kick Arm

Ref. No.	Part No.	Description	Reqd. No. XR75	Serial No.	Area Code
1	24700-107-700	PEDAL COMP., GEAR CHANGE	1		
2	28300-116-672	ARM ASSY., KICK STARTER	1		
3	92000-01320	BOLT, HEX., 6X20	1		
4	92000-06030	BOLT, HEX., 6X30	1		
5	95011-40000	RUBBER, GEAR CHANGE PEDAL	1		
6	95011-51000	RUBBER AT KICK STARTER	1		

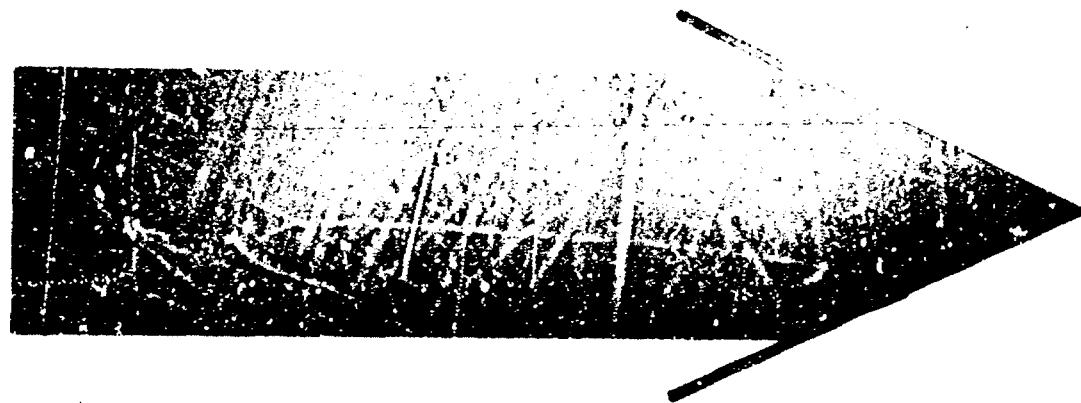


F 1

XR 75 K 1

XR 75 K 2

XR 75 K 3



# PARTS LIST

FOR

# HONDA

**XR75K1**  
**XR75K2**  
**XR75K3**

## FOREWORD

This Parts List contains all the replacement parts for the XR75K1, XR75K2 and XR75K3 models and is to be used for ordering replacement parts.

The frame number must be forwarded together with any parts order.

The reason for this is that it is necessary to verify that the parts ordered are applicable to the model series intended.

No supplement to this Parts List will be issued. In case of any change to its content, no notification or supplement will be issued for this Parts List. However, a revised edition of this Parts List will be issued to maintain it up-to-date. The revised edition can be identified by the revision No. on the cover. To check on the latest Parts List revision, please contact your nearest distributor.

June 20, 1974

HONDA MOTOR CO., LTD.

<b>GROUP INDEX</b>
<b>INSTRUCTION FOR USE OF PARTS LIST</b> F 2 - F 3
<b>ENGINE GROUP</b> G 1 - G15
<b>FRAME GROUP</b> G 1, G16 - H14
<b>PART NO. INDEX</b> F 5 - F 7

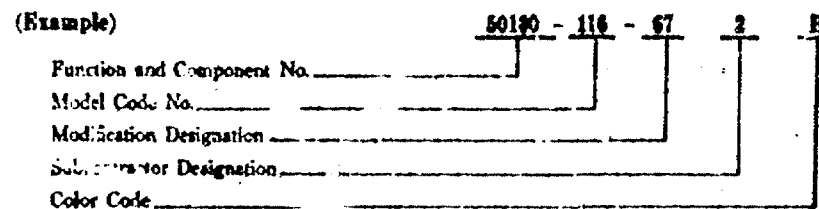
**F 2**

## INSTRUCTION FOR USE OF PARTS LIST

### DESCRIPTION OF PARTS LIST

#### 1. Make-up of the Part Number

The following example is the definition of part number.



#### 2. Abbreviations

The abbreviations used in this parts list are as follows.

ASSY. .... Assembly	W ..... Watt
COMP. .... Complete	KPH ..... Kilometer
R ..... Right	MPH ..... Milemeter
L ..... Left	L (100L) ..... Link (100 Link)
STD. .... Standard	A.C. .... Alternating current
MM ..... Millimeter	D.C. .... Direct current
G ..... Gram	IN. .... Inlet
T (22T) ..... Teeth (22 Teeth)	EX. .... Exhaust
A ..... Ampere	FR. .... Front
V ..... Volt	RR. .... Rear

#### 3. Dimensions

All dimensions are in millimeters except for the steel balls and wheels.

Parts	Example	Interpretation
Bolt (Screw)	6x12	6 mm diameter, 12 mm length
Pin	8x14	8 mm diameter, 14 mm length
O-Ring	9.5x1.6	9.5 mm diameter, 1.6 mm thickness
Oil seal	14x24x5	14 mm inside diameter, 24 mm outside diameter, 5 mm thickness
Tube	5x130	5 mm inside diameter, 130 mm length

#### 4. Quantity Used

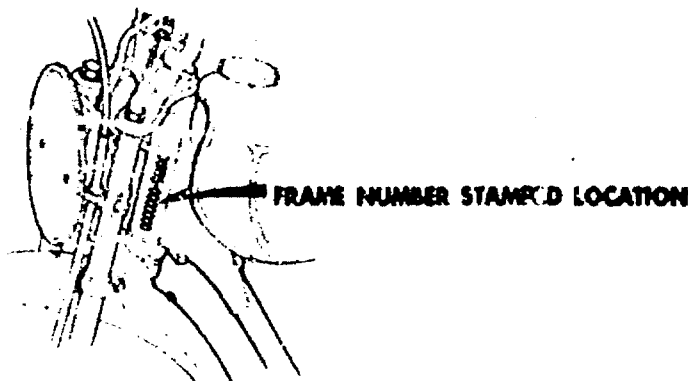
In the column "Reqd. No." is shown the quantity of parts used in the respective group.

### 5. Applicable Serial Number

If there is a production change to a part, the frame serial number to which this part becomes effective will be indicated in the "Serial No." column. However, in case the part is used from the initial serial number, its applicable serial number is not shown. The initial serial number for model is as follows.

XR75K1-A (U.S.A. type)	Frame No. XR75-1100001~1138920
CM (Canada type)	Frame No. XR75-1118451~1138920
XR75K2-A (U.S.A. type)	Frame No. XR75-1200001~1219301
CM (Canada type)	Frame No. XR75-1200001~1219791
XR75K3-A (U.S.A. type)	Frame No. XR75-1300001~1318542
CM (Canada type)	Frame No. XR75-1300001~1316592

The serial number is stamped in the following location.



### 6. Color code

The following table indicates the color description of the color codes which are listed in the text.

Color code	Description
B	Black
CT	Off Black
EC	Chilisan Red
MA	Special Silver
QN	Lava Gray Metallic special
SH	Mat Black
WF	Ceramic White
<b>HONDA Color code</b>	
A - 26	Polishing

7. The part number described under the part description supersedes the part number ahead.

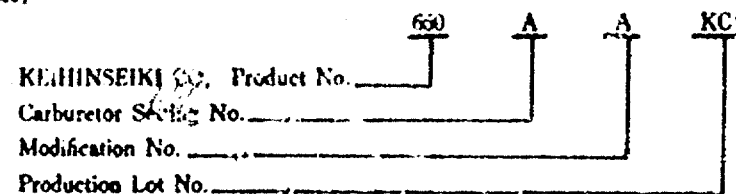
8. This Parts List is compiled as of August 20, 1978.

### 9. Applicable carburetor identification number

The changes to the carburetor assembly and its component parts are indicated by the carburetor identification number.

The identification number is stamped as shown below.

(Example)



The modification No. indicates changes to the carburetor assembly and/or its component parts. The alphabetical letterings framed in a square and when there are any changes to the carburetor, it is advanced in sequence.

When any part of the carburetor assembly needs replacement, please check only the product No. and the modification No.

Part numbers for the parts to be ordered are determined by the carburetor identification number which is listed in the "Remarks" column.

The number listed in the Remarks column is a shortened form of the identification No. stamped on the carburetor. The shortened form, such as "650 [A]", consists of the product No. and the modification No.

All other numbers and letters are unnecessary, since they do not concern the changes made the carburetor assembly.

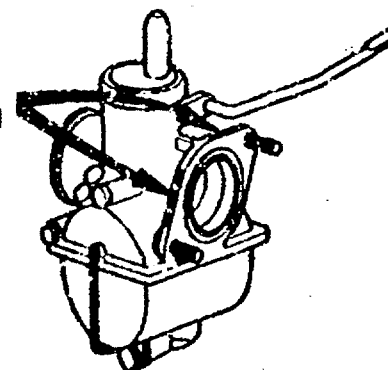
Refer to the following examples.

(Example)

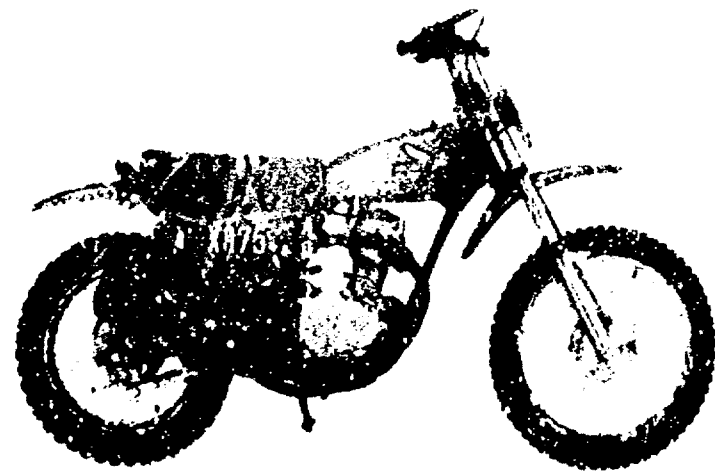
No. information	Applicable for use on all carburetors.
650 [A]	Applicable only for use on 650 carburetors designated as [A].
650 [A]~	Applicable for use on 650 carburetors designated as [A] or subsequent letters.
650 [A]~650 [B]	Applicable for use on 650 carburetors designated from letters [A] through [B].

The number is stamped on the carburetor at the following location.

**CARBURETOR NUMBER  
STAMPED LOCATION**



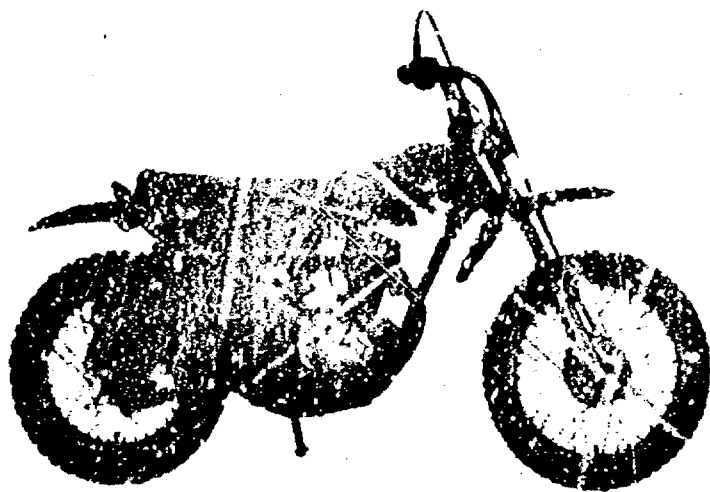
F 4



XR75K1



XR75K2



XR75K3



F 5

PART NO. INDEX

CROSS-REFERENCE TABLE

BLOCK NO.	ADDRESS NO.
E - 1	G 2
E - 2	G 3
E - 3	G 4
E - 4	G 5
E - 5	G 6
E - 6	G 7
E - 7	G 8
E - 8	G 9
E - 9	G 10
E - 10	G 11
E - 11	G 12
E - 12	G 13
E - 13	G 14
E - 13-1	G 15
F - 1	G 16
F - 2	H 1
F - 3	H 2
F - 4	H 3
F - 5	H 4
F - 6	H 5
F - 7	H 6
F - 8	H 7
F - 9	H 8
F - 10	H 9
F - 11	H 10
F - 12	H 11
F - 13	H 12
F - 14	H 13
F - 15	H 14

Part No.	Block	Part No.	Block	Part No.	Block
11000		14321-115-000	E-4	16952-028-000	F-7
11100-116-000	E-12	14401-028-003	E-4	16953-011-000	F-7
11191-115-020	E-12	14431-116-000	E-2	16954-028-000	F-7
11200-116-000	E-12	14451-035-000	E-2	16955-028-004	F-7
11330-116-000	E-5	14500-116-000	E-4	16956-028-004	F-7
11340-116-700	E-3	14515-116-000	E-4	16957-028-000	F-7
11341-116-000	E-3	14550-116-000	E-4	16997-273-006	F-7
11345-116-700	E-3	14561-086-010	E-4		
11393-115-020	E-5	14561-115-020	E-4	17000	
11395-116-700	E-3	14562-115-000	E-4	17111-116-010	E-1
11431-116-000	E-3	14711-116-000	E-2	17111-116-700	E-1
11432-086-000	E-3	14721-116-000	E-2	17211-107-020	F-8
11911-116-6708	F-14	14751-115-020	E-2	17212-107-780	F-8
		14761-115-010	E-2	17214-107-780	F-8
		14771-107-020	E-2	17220-116-6708	F-8
12000		14775-107-000	E-2	17230-116-6718	F-8
12021-115-300	E-1	14781-107-020	E-2	17231-051-000	F-8
12023-116-300	E-1			17247-292-010	F-14
12100-116-000	E-1	15000		17253-116-670	F-8
12191-116-000	E-1	15106-115-000	E-6	17255-107-000	F-8
12200-116-010	E-1	15111-115-020	E-6	17500-116-690EC	F-7
12209-107-760	E-2	15111-149-000	E-6	17500-116-6900N	F-7
12210-116-000	E-2	15116-107-020	E-6	17500-116-710EC	F-7
12251-116-000	E-1	15126-107-020	E-6	17611-303-000	F-7
12301-115-040	E-1	15131-116-000	E-6	17613-051-010	F-7
12391-115-030	E-1	15331-115-000	E-6	17620-292-020	F-7
12421-115-000	E-6	15332-115-000	E-6	17631-259-000	F-7
		15421-035-010	E-12	17910-116-690	F-1
13000		15430-115-000	F-6	17910-116-710	F-1
13000-116-030	E-8	15436-107-000	E-6		
13011-116-000	E-8	15441-107-000	F-6	18000	
13011-116-003	E-8	15446-107-000	E-6	18231-115-010	F-9
13011-116-004	E-8	15459-107-000	F-6	18233-115-010	F-9
13021-116-000	E-8	15650-086-000	F-5	18291-115-000	F-9
13021-116-003	E-8			18300-116-672CT	F-9
13021-116-004	E-8	16000		18300-116-672SH	F-9
13031-116-000	E-8	16010-107-004	F-13	18340-116-670CT	F-9
13031-116-003	E-8	16010-116-700	E-13-1	18373-310-000	F-9
13031-116-004	E-8	16011-116-004	E-13	18374-310-000	F-9
13041-116-000	E-8	16011-116-014	E-13		
13041-116-003	E-8	16011-143-620	E-13-1	22000	
13041-116-004	E-8	16012-116-004	E-13	22100-116-000	E-7
13051-116-000	E-8	16012-116-700	E-13-1	22121-115-010	E-7
13051-116-003	E-8	16013-046-004	E-13	22201-107-000	F-7
13051-116-004	E-8	16013-116-700	E-13-1	22311-107-000	E-7
13101-116-010	E-8	16014-116-700	E-13-1	22350-115-020	E-7
13102-116-010	E-8	16014-306-704	E-13	22361-107-000	E-7
13103-116-010	E-8	16015-028-004	E-13	22366-115-000	E-7
13104-116-010	E-8	16015-116-700	E-13-1	22401-116-000	E-7
13105-116-010	E-8	16016-046-004	E-13	22710-115-030	E-5
13111-087-000	E-8	16016-143-620	E-13-1	22815-107-010	E-5
13115-001-000	E-8	16022-107-004	E-13	22821-116-000	F-5
13201-036-000	E-8	16022-116-700	F-13-1	22830-116-000	E-5
13211-035-00	F-8	16100-116-004	E-13	22831-107-000	E-5
13310-116-320	E-8	16100-116-701	E-13-1	22870-116-670	F-2
13321-116-310	E-8	16118-086-004	F-13	22870-116-671	F-2
13381-035-010	E-8				
		16165-116-004	F-13		
14000		16165-116-700	F-13-1	23000	
14101-116-000	E-2	16173-001-004	F-7	23121-116-010	E-6
14311-116-000	E-8	16229-115-010	E-1	23211-116-020	E-10
		16950-116-671	F-7		

F 6

PART NO. INDEX

PART NO. INDEX

Part No.	Block	Part No.	Block	Part No.	Block	Part No.	Block	Part No.	Block		
23221-116-010	E-10	35000		45134-250-000	F-10	52486-001-000	F-11	87000			
23426-116-020	E-10			45410-116-670	F-5	52488-001-000	F-11		90543-121-000	F-5	
23441-116-010	E-10	35320-329-811	F-2	45411-087-820	F-5	52490-116-671	F-11		90549-121-000	F-10	
23451-116-010	E-10	35750-028-000	E-9	45450-116-670	F-2			87125-041-680	F-14	90601-001-000	F-10
23461-116-010	E-10	35752-028-300	E-9	45466-329-000	F-4	53000		87128-116-690	F-14	90601-107-000	E-11
23471-116-010	E-10	35753-115-000	E-9	45467-116-671	F-4			87128-116-691	F-14	90741-035-000	F-8
23501-116-010	E-10			45469-116-670	F-3	53100-116-690	F-1	87504-028-670	F-12	90753-051-000	F-10
23520-115-010	E-10	40000		45469-364-670	F-3	53135-028-000	F-1	87504-045-0208	F-7	90755-229-000	F-5
23530-116-000	E-10					53139-107-721	F-1	87504-130-7208	F-7	90756-118-003	F-3
23800-116-010	E-10	40510-116-6718	F-12	46000		53141-355-000	F-1	87505-116-670	F-6	90801-116-030	F-5
23802-040-000	E-10	40530-116-671	F-10			53143-355-000	F-1	87505-116-710	F-12		
		40531-098-003	F-10	46500-116-672	F-13	53144-355-000	F-1	87506-045-000	F-12	91000	
24000		40544-061-000	F-10	46514-116-670	F-13	53165-116-670	F-1	87508-120-000	F-14		
						53166-116-670	F-1	87560-323-6708	F-7	91001-115-000	F-10
24211-115-000	E-9	41000		50000		53170-074-670	F-2			91001-116-008	E-8
24231-115-000	E-9					53170-116-690	F-2	89000		91101-001-030	F-8
24241-116-000	E-9	41201-118-000	F-10	50100-116-6728	F-14	53171-312-003	F-2	89216-045-670	F-4	91202-115-015	F-3
24301-116-010	E-9	41241-051-000	F-10	50100-116-7008	F-14	53172-310-010	F-2	89217-045-670	F-4	91203-035-000	F-10
24421-200-000	E-9	41245-051-000	F-10	50100-116-7108	F-14	53174-116-670	F-2			91204-035-000	F-9
24430-115-000	E-9			50152-116-6708	F-14	53176-329-000	F-2	90000		91204-259-000	F-5
24435-115-020	E-9	42000		50156-116-6708	F-8	53179-329-000	F-2			91251-121-000	F-5
24436-115-030	E-9			50301-041-305	F-4	53190-074-670	F-2	90012-200-000	E-2	91301-027-000	F-5
24610-116-000	E-9	42301-051-020	F-10	50351-116-6728	F-14	53192-203-000	F-2	90023-041-000	E-9	91301-200-000	E-1
24641-115-010	E-9	42304-098-000	F-10	50356-115-000	F-14	53192-268-000	F-2	90031-116-000	E-12	91301-216-000	F-4
24651-107-000	E-9	42313-051-000	F-10	50526-115-020	F-13	53200-116-6718	F-4	90032-035-000	E-12	91301-704-000	E-5
24652-035-000	E-9	42601-115-000	F-10	50530-116-6708	F-13	53211-028-305	F-4	90033-115-000	E-6	91303-259-000	E-4
24700-107-700	F-15	42620-051-000	F-10	50603-033-000	F-13	53214-001-010	F-4	90081-312-000	E-4	91304-107-000	E-6
		42701-116-671	F-10	50610-116-6718	F-13	53215-001-000	F-4	90085-312-000	E-4	91306-035-000	E-1
28000		42711-116-672	F-10	50616-110-790	F-13	53217-030-305	F-4	90108-223-000	F-13	91307-035-000	E-5
		42712-116-672	F-10	50617-283-000	F-13	53220-115-000	F-4	90114-329-000	F-2	91312-107-000	E-9
28211-115-010	E-11	42713-116-671	F-10	50642-110-790	F-13	53231-116-670CT	F-1	90117-065-000	F-1	92000	
28221-107-010	E-11	42715-116-671	F-10	50644-283-000	F-13			90121-116-670	F-12	92000-05018-0A	E-6
28250-116-000	E-11					61000		90127-001-010	F-12	92030-06008	E-10
28262-116-000	E-11	43000		51000				90133-331-770	F-12		
28271-107-000	E-11					61100-116-670MA	F-4	90206-001-000	E-2		
28281-035-010	E-11	43100-115-000	F-10	51400-116-671	F-3	61100-116-670QN	F-4	90231-041-000	E-6		
28300-116-672	F-15	43141-107-010	F-10	51401-118-000	F-3	61100-116-710EC	F-4	90304-011-000	F-4	92000-06010	F-14
		43410-041-020	F-10	51410-116-671	F-3	61138-357-000	F-4	90305-051-000	F-5	92000-06012	F-3
30000		43432-116-671	F-12	51420-116-671	F-3						
		43434-286-000	F-12	51425-118-013	F-3	64600		90321-315-670	F-2		
30207-041-015	E-3	43451-116-672	F-13	51442-229-000	F-3			90351-268-000	F-9		
30205-041-005	E-3			51445-028-000	F-3	64111-116-690	F-4	90354-115-000	F-1	92000-06016	E-1
30250-041-005	E-3	44000		51446-028-000	F-3	64113-116-690WF	F-4	90407-259-000	E-12		
30500-115-013	F-14			51451-118-000	F-3	64115-116-6708	F-4	90417-115-000	E-2		
30600-918-670	E-1	44301-107-000	F-5	51452-118-000	F-3			90426-035-000	F-3		
		44311-229-000	F-5	51500-116-671	F-3	77000		90441-028-010	E-1		
31000		44601-116-670	F-5	51520-116-671	F-3			90443-115-000	E-2	92000-06020	F-5
		44620-030-000	F-5			77100-116-690	F-6	90443-844-000	E-6		
31100-116-005	E-3	44701-118-013	F-5	52000		77136-114-670	F-4	90451-115-000	E-6		
31121-116-005	E-3	44711-116-671	F-5			77205-286-000	F-6	90453-115-000	E-10	92000-06022	E-6
31141-116-005	E-3	44712-116-671	F-5	52100-116-6718	F-12			90458-107-000	F-11	92000-06025	E-7
		44713-116-671	F-5	52156-074-000	F-12	80000		90461-115-000	F-10	92000-06030	F-15
32000		44804-116-670	F-5	52400-116-671	F-11			90462-115-010	F-7	92000-06036	F-10
		44835-116-670	F-5	52400-116-672	F-11	80100-116-671MA	F-6	90501-310-000	F-2	92000-08016-0A	F-12
32100-116-670	F-14			52407-116-690	F-11	80100-116-671QN	F-6	90503-011-000	F-4	92000-08020-0A	F-13
32921-115-000	E-1	45000		52407-116-691	F-11	80100-116-710EC	F-6	90503-051-870	F-4	92700-06032	E-1
32971-116-000	F-3			52407-118-771	F-11	80101-116-6708	F-6	90521-028-000	F-13	92700-06040	F-1
		45010-116-670	F-5	52410-303-020	F-11	80101-283-000	F-6	90524-030-000	F-12	92700-06045	E-1
		45120-001-010	F-5	52450-118-771	F-11			90525-001-000	F-10	92800-12000	E-12
33000				52476-001-020	F-11	83000		90525-030-000	F-6		
		45131-041-000	F-5	52476-118-770	F-11			90527-230-000	F-11	93000	
33603-053-650	F-6	45133-028-000	F-5	52482-028-030	F-11	83510-116-6708	F-14	90528-229-000	F-3		
				52483-107-003	F-11	83510-116-670QN	F-14	90531-011-010	F-11	93500-03006-0A	F-7
		45134-121-000	F-5	52485-118-000	F-11			90543-273-000	F-3	93500-04010-0A	E-3



PART NO. INDEX

Part No.	Block	Part No.	Block	Part No.	Block
93500-04012-0A	E-13-1	94111-08000	F-10	97283-42089-10	F-10
93500-04025-0A	F-8		F-12	97491-31136-10	F-5
93500-05012-0A	F-4		F-13	97600-42088-10	F-10
93500-05016-0A	F-4		F-14		
93500-05020-0A	F-1	94111-10000	F-12	98000	
93500-06008-49	F-9	94201-16150	F-13		
93500-06012-49	F-9	94201-20150	E-5	98056-57711	E-1
93500-06016	F-7		F-5		
93500-06025	F-2		F-12	99000	
93500-06028	F-2	94201-30250	F-5		
93500-06035	E-3		F-10	99101-116-1000	E-13-1
	E-5		F-13	99103-116-0350	E-13-1
93500-06045	E-12	94251-08000	E-6	99114-246-1000	E-13
93500-06080	C-5		F-12	99124-223-0380	E-13
93500-06090	E-5	94301-08140	E-1		
93600-04012-0A	E-6		E-5		
93600-06016	E-3	94301-12200	E-12		
93700-05012-0A	E-3	94510-17000	E-7		
93700-05012-0A	E-6	94511-50000	F-10		
93700-05025-0A	E-5	94521-40000	F-3		
		94605-10101	F-3		
94000		94606-13000	F-3		
		94608-10000	F-3		
94001-05000-0S	F-4				
94001-06000	E-1	95000			
	E-2				
	E-5	95001-35300-40	E-13		
	F-2		E-13-1		
	F-4	95001-45240-40	F-7		
	F-8	95001-50180	E-12		
	F-9	95002-02070	E-13		
	F-10		E-13-1		
94001-08000-0S	F-12	95002-02080	F-7		
94001-08020-0S	F-10	95002-50000	E-3		
94002-08000-0S	E-4		E-12		
94002-10000-0S	F-13	95005-50400-30	E-3		
94021-06000	E-1	95011-40000	F-15		
	E-2	95011-51000	F-15		
94021-10000-0S	F-11	95014-10100	F-10		
94030-08000	F-14	95014-21200	F-1		
94030-10000	E-3	95014-32200	F-1		
94101-04000	E-3	95014-61300	F-14		
94101-05000	F-4	95014-62100	F-2		
94101-06000	C-5	95014-72101	F-13		
	E-7	95014-73100	F-13		
	F-1	95015-31000	F-13		
	F-3	95015-41000	F-13		
	F-4	95015-52000	F-13		
	F-8	95300-05032	F-4		
	F-9	95300-06060	F-14		
	F-10	95300-08100	F-14		
	F-12				
	F-14	96000			
94101-08000	F-12				
	F-13	96100-60010	E-7		
	F-14	96100-60050	E-10		
94101-10000	F-9	96100-62030	F-10		
94111-04000	E-3	96140-63010	F-5		
	E-13-1		F-10		
94111-05000	F-4	96211-06000	F-4		
94111-06000	F-8				
	F-9	97000			
	F-10				
	F-14	97255-31137-10	F-5		

## CONTENTS

### ENGINE GROUP

E- 1	Cylinder • Cylinder Head .....	G 2
E- 2	Camshaft • Valve .....	G 3
E- 3	Left Crankcase Cover • Generator .....	G 4
E- 4	Cam Chain Tensioner .....	G 5
E- 5	Right Crankcase Cover .....	G 6
E- 6	Oil Filter Rotor • Oil Pump .....	G 7
E- 7	Clutch .....	G 8
E- 8	Crankshaft • Piston .....	G 9
E- 9	Gear Shift .....	G10
E-10	Transmission .....	G11
E-11	Kick Starter .....	G12
E-12	Crankcase .....	G13
E-13	Carburetor (XR75K1•K2) .....	G14
E-13-1	Carburetor (XR75K3) .....	G15

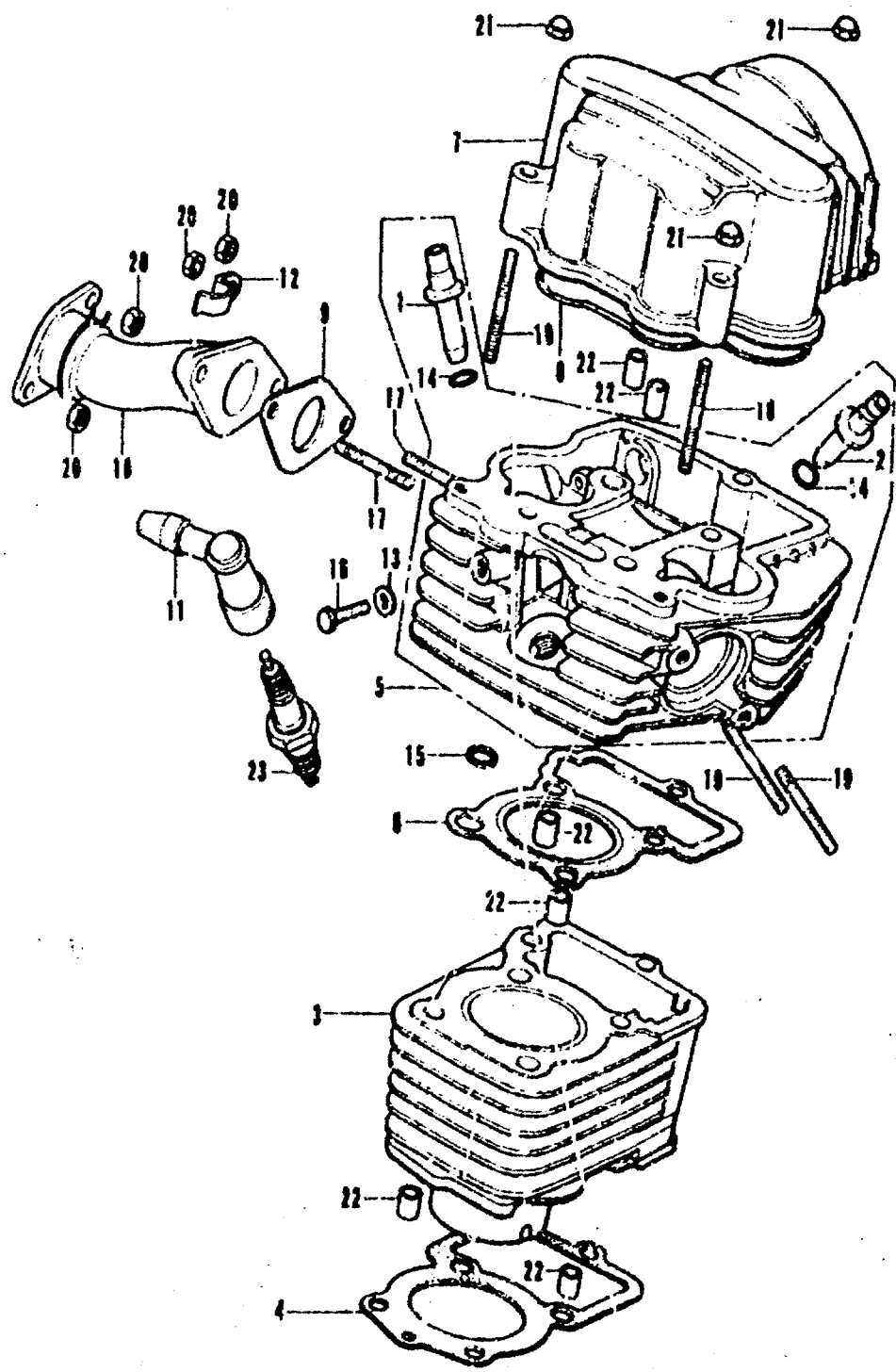
### FRAME GROUP

F- 1	Steering Handle .....	G16
F- 2	Kill Switch • Handle Lever .....	H 1
F- 3	Front Fork .....	H 2
F- 4	Steering Stem • Front Fender .....	H 3
F- 5	Front Wheel .....	H 4
F- 6	Seat • Rear Fender .....	H 5
F- 7	Fuel Tank .....	H 6
F- 8	Air Cleaner .....	H 7
F- 9	Exhaust Muffler .....	H 8
F-10	Rear Wheel .....	H 9
F-11	Rear Cushion .....	H10
F-12	Rear Fork • Chain Case .....	H11
F-13	Brake Pedal • Side Stand .....	H12
F-14	Frame Body .....	H13
F-15	Change Pedal • Kick Arm .....	H14
	Part Number Index .....	F 5

E-1 Cylinder - Cylinder Head



E-1 Cylinder - Cylinder Head

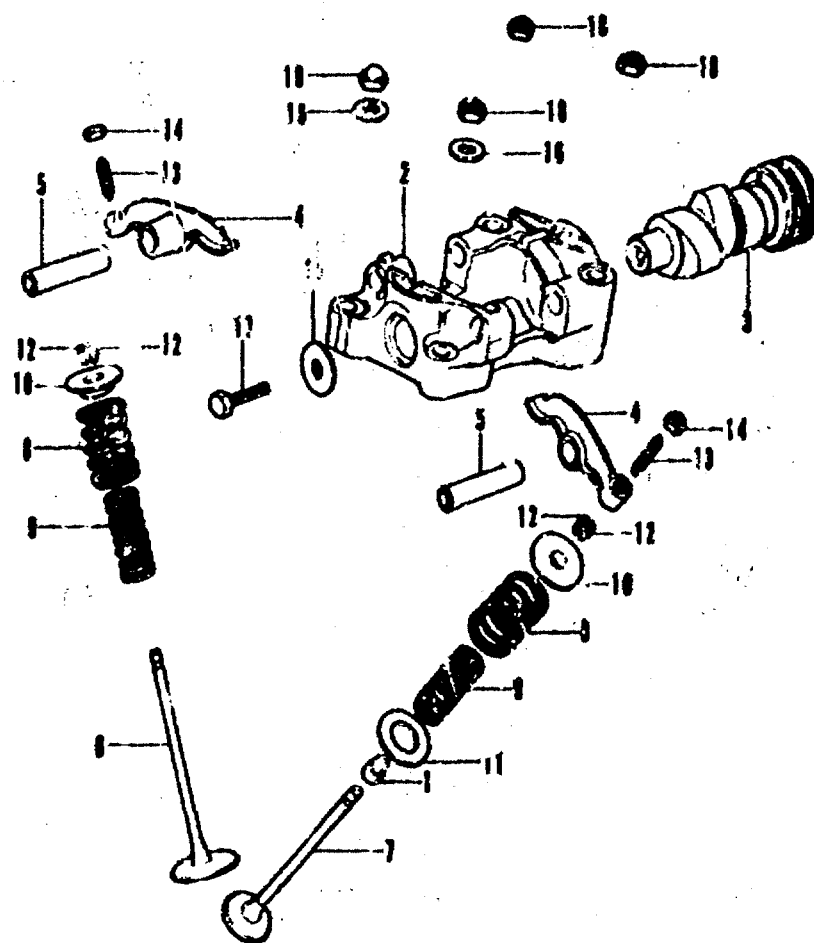


Ref. No.	Part No.	Description	Reqd. No.			Serial No.	Area code
			K1	K2	K3		
1	12021-115-300	GUIDE, IN. VALVE	1	1	1		
2	12023-116-300	GUIDE, EX. VALVE	1	1	1		
3	12100-116-000	CYLINDER COMP.	1	1	1		
4	12191-116-000	GASKET, CYLINDER	1	1	1		
5	12200-116-010	HEAD COMP., CYLINDER	1	1	1		
6	12251-116-000	GASKET, CYLINDER HEAD	1	1	1		
7	12301-115-040	COVER, CYLINDER HEAD	1	1	1		
8	12391-115-030	GASKET, CYLINDER HEAD COVER	1	1	1		
9	16229-115-010	GASKET, CARBURETOR INSULATOR	1	1	1		
10	17111-116-010	PIPE, IN.	1	1			
	17111-116-700	PIPE, IN.			1		
11	30600-918-670	CAP ASSY., NOISE SUPPRESSER	1	1	1		
12	32921-115-000	CLIP, HIGH TENSION CORD	1	1	1		
13	90441-028-010	WASHER, SEALING, 6MM	1	1	1		
14	91301-200-000	O-RING, 10X1.6	2	2	2		
15	91306-035-000	GASKET, RUBBER, 7.5MM	1	1	1		
16	92000-06016	BOLT, HEX., 6X16	1	1	1		
17	92700-06032	BOLT, STUD, 6X32	2	2	2		
18	92700-06040	BOLT, STUD, 6X40	2	2	2		
19	92700-06045	BOLT, STUD, 6X45	2	2	2		
20	94001-06000	NUT, HEX., 6MM	4	4	4		
21	94021-06000	NUT, CAP, 6MM	3	3	3		
22	94301-08140	PIN, DOWEL, 8X14	6	6	6		
23	98056-57711	PLUG, SPARK (C-7HS NGK)	1	1	1		

## E-2 Camshaft - Valve



## E-2 Camshaft - Valve



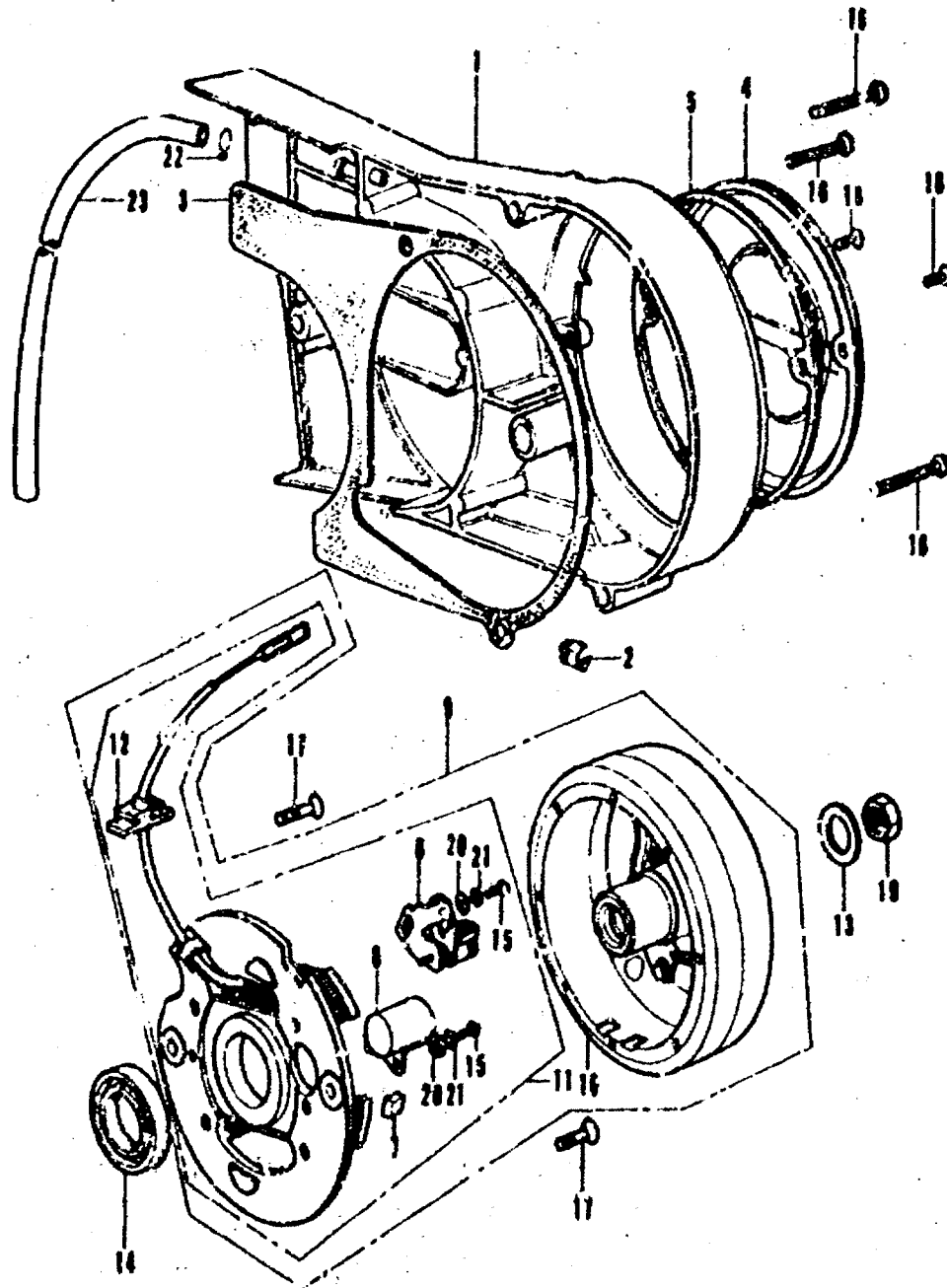
Ref. No.	Part No	Description	Reqd. No.			Serial No.	Area code
			X1	X2	X3		
1	12209-107-760	SEAL, VALVE STEM	1	1	1		
2	12210-116-000	HOLDER, CAMSHAFT	1	1	1		
3	14101-116-000	CAMSHAFT	1	1	1		
4	14421-116-000	ARM, VALVE RUCKER	2	2	2		
5	14421-035-000	SHAFT, VALVE RUCKER ARM	2	2	2		
6	14711-116-000	VALVE, IN.	1	1	1		
7	14721-116-000	VALVE, EX.	1	1	1		
8	14751-115-020	SPRING, VALVE (OUTER)	2	2	2		
9	14761-115-010	SPRING, VALVE (INNER)	2	2	2		
10	14771-107-020	RETAINER, VALVE SPRING	2	2	2		
11	14775-107-000	SEAT, VALVE SPRING OUTER	1	1	1		
12	14781-107-020	COTTER, VALVE	4	4	4		
13	90712-200-000	SCREW, TAPPET ADJUSTING	2	2	2		
14	90206-001-000	NUT, TAPPET ADJUSTING	2	2	2		
15	90417-115-000	WASHER, CAM SHAFT SIDE	1	1	1		
16	90443-115-000	WASHER, 6MM	2	2	2		
17	92000-06016	BOLT, HEX., 6x16	1	1	1		
18	94001-06000	NUT, HEX., 6MM	3	3	3		
19	94021-06000	NUT, CAP, 6MM	1	1	1		

G 4

E-3 Left Crankcase Cover - Generator

E-3 Left Crankcase Cover - Generator

Ref. No.	Part No.	Description	Recd. No.			Serial No.	Area code
			K1	K2	K3		
1	11341-116-000	COVER COMP., L. CRANKCASE	1	1			
	11340-116-700	COVER COMP., L. CRANKCASE			1		
2	11345-116-700	RUBBER, L. COVER SEALING			1		
3	11395-116-700	GASKET, L. CRANKCASE COVER			1		
4	11431-116-000	COVER, DYNAMO	1	1	1		
5	11432-086-000	GASKET, DYNAMO COVER	1	1	1		
6	30202-041-015	BREAKER, CONTACT (HITACHI)	1	1	1		
7	30205-041-005	FELT, OIL (HITACHI)	1	1	1		
8	30250-041-005	CONDENSER COMP.	1	1	1		
9	31100-116-005	A.C. GENERATOR ASSY. (HITACHI)	1	1	1		
10	31121-116-005	FLYWHEEL COMP. (HITACHI)	1	1	1		
11	31142-116-005	STATOR ASSY. (HITACHI)	1	1	1		
12	32971-116-000	GROMMET, A.C. GENERATOR CORD	1	1	1		
13	90626-035-000	WASHER, MAGNETO FIXING	1	1	1		
14	91202-115-015	OIL SEAL, 19X36X7	1	1	1		
15	93500-04010-04	SCREW, PAN, 4X10	2	2	2		
16	93500-04035	SCREW, PAN, 6X35	3	3	3		
17	93600-06016	SCREW, FLAT, 6X16	2	2	2		
18	93700-05012-0A	SCREW, OVAL, 5X12	2	2	2		
19	94030-10000	NUT, HEX., 10MM	1	1	1		
20	94101-04000	WASHER, PLAIN, 5MM	2	2	2		
21	94111-04000	WASHER, SPRING, 4MM	2	2	2		
22	95002-50000	CLIP, TUBE, C9			1		
23	95005-50400-30	FUSE, 5X400			1		

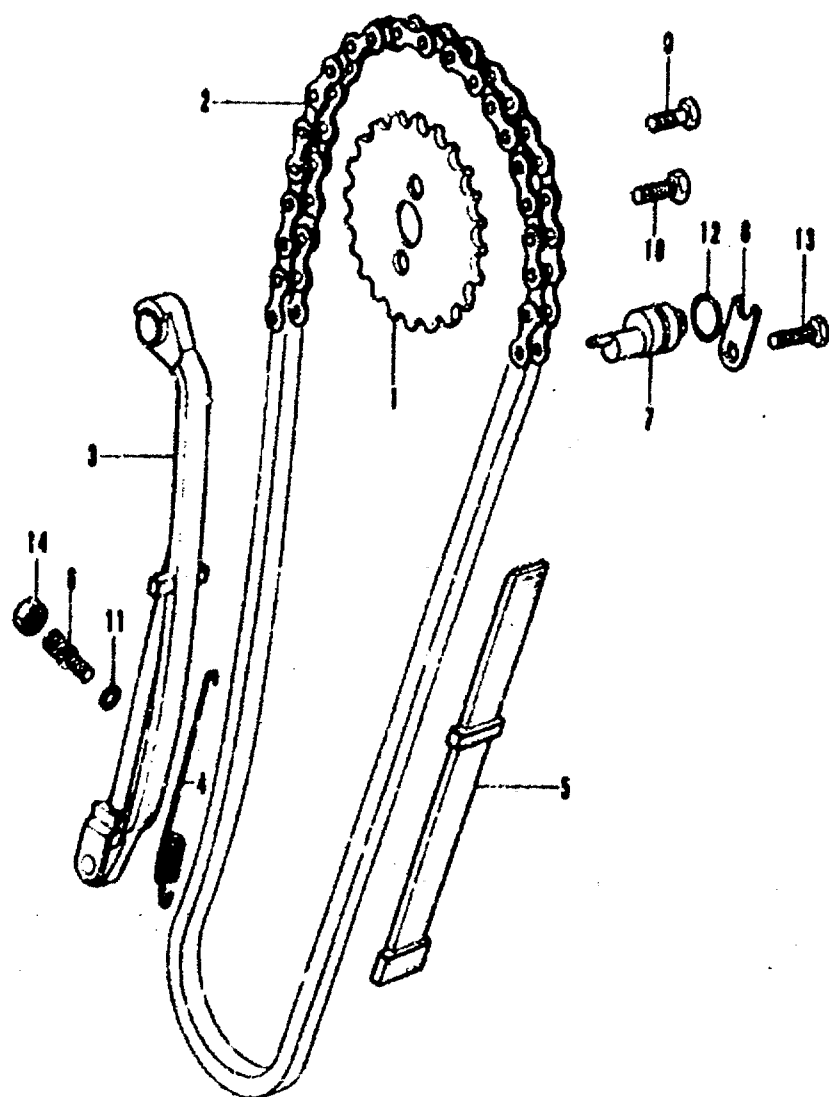


R/16-3

## E-4 Cam Chain Tensioner

G 5

## E-4 Cam Chain Tensioner



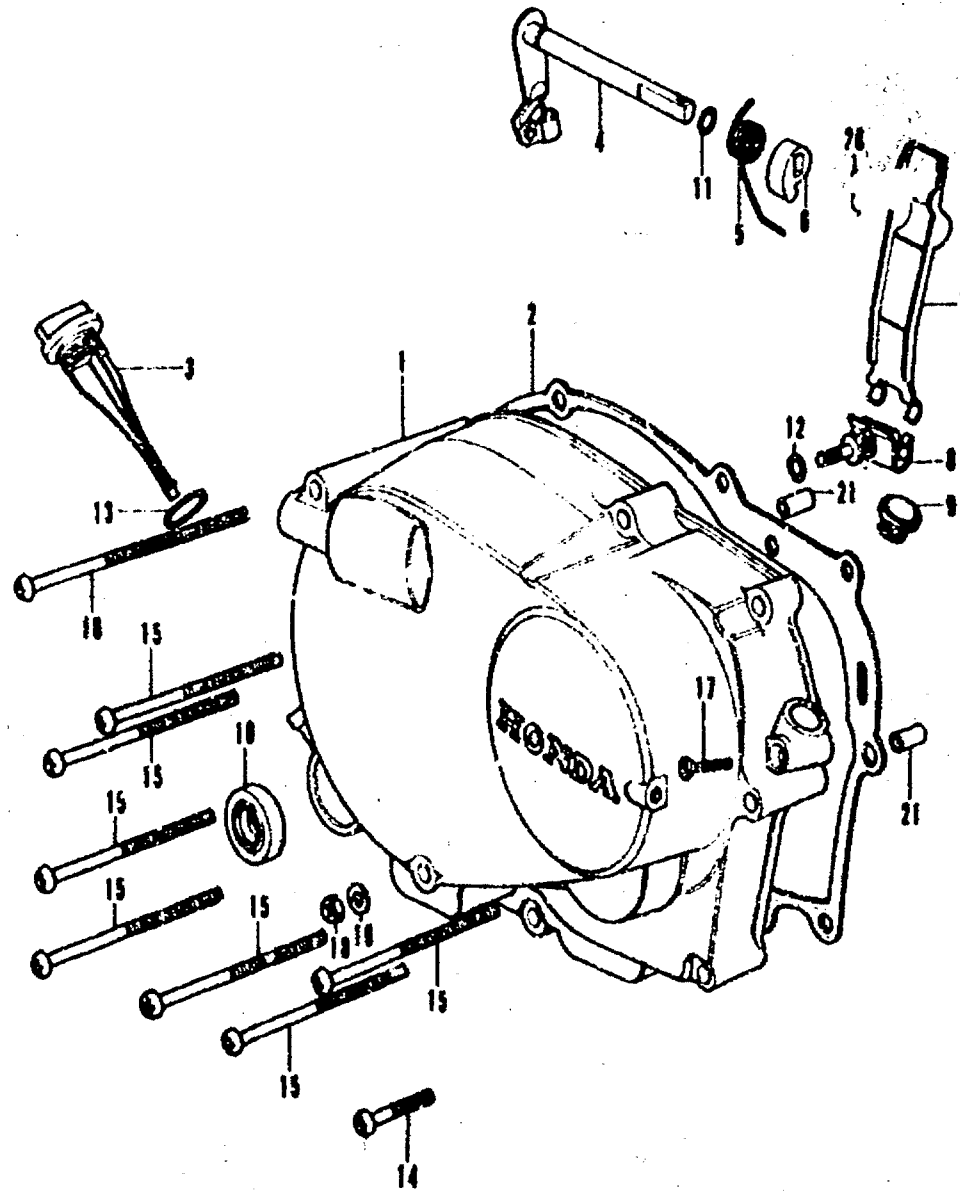
Ref. No.	Part No.	Description	Reqd. No.			Serial No.	Area code
			K1	K2	K3		
1	14321-115-000	SPROCKET, CAM (20T)	1	1	1		
2	14401-028-003	CHAIN, CAM (DK210H-86L DA100)	1	1	1		
3	14500-116-000	TENSIONER COMP., CAM CHAIN	1	1	1		
4	14915-116-000	SPRING, CAM CHAIN TENSIONER	1	1	1		
5	14550-116-000	GUIDE, CAM CHAIN	1	1	1		
6	14561-086-010	BOLT, CAM CHAIN TENSIONER ADJUSTING	1	1	1		
7	14561-115-020	BOLT, CAM CHAIN TENSIONER ADJUSTING	1	1	1		
8	14562-115-000	PLATE, CAM CHAIN TENSIONER ADJUSTING	1	1	1		
9	90081-312-000	BOLT, KNOCK, 6X14	1	1	1		
10	90089-312-000	BOLT, HEX., 6X14	1	1	1		
11	91301-216-000	O RING, 5.5X1.5	1	1	1		
12	91303-259-000	O RING, 11X2.0	1	1	1		
13	92000-06016	BOLT, HEX., 6X16	1	1	1		
14	94002-0.000-05	NUT, HEX., 8MM	1	1	1		



E-5 Right Crankcase Cover

G 6

E-5 Right Crankcase Cover



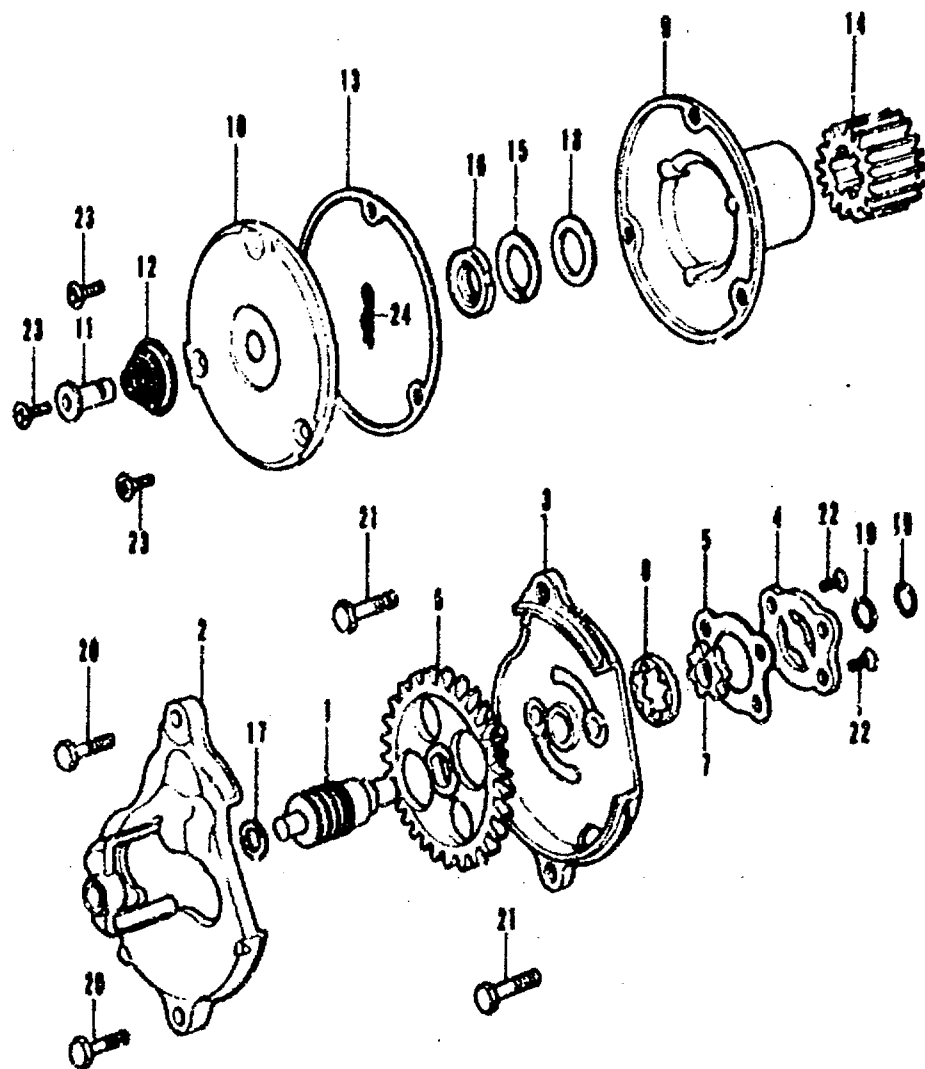
Ref. No.	Part No.	Description	Reqd. No.			Serial No.	Area code
			K1	K2	K3		
1	11330-116-000	COVER COMP., R. CRANKCASE	1	1	1		
2	11393-115-020	GASKET, R. CRANKCASE COVER	1	1	1		
3	15650-086-000	GAUGE, OIL LEVEL	1	1	1		
4	22710-115-030	LEVER COMP., CLUTCH	1	1	1		
5	22815-107-300	SPRING, CLUTCH LEVER	1	1	1		
6	22821-116-000	CAM, CLUTCH LIFTER	1	1	1		
7	22830-116-000	LEVER, CLUTCH ADJUSTING	1	1	1		
8	22831-107-000	SCREW COMP., CLUTCH ADJUSTING	1	1	1		
9	90801-116-030	PLUG, RUBBER, 15MM	1	1	1		
10	91204-259-000	OIL SEAL, 16X28X7	1	1	1		
11	91301-027-000	O-RING, 6.8X1.9	1	1	1		
12	91301-704-000	O-RING, 6MM	1	1	1		
13	91307-035-000	O-RING, 18X3	1	1	1		
14	93500-06035	SCREW, PAN, 6X35	1	1	1		
15	93500-06080	SCREW, PAN, 6X80	7	7	7		
16	93500-06090	SCREW, PAN, 6X90	1	1	1		
17	93700-05025-0A	SCREW, OVAL, 5X25	1	1	1		
18	94001-06000	NUT, HEX., 6MM	1	1	1		
19	94101-06000	WASHER, PLAIN, 6MM	1	1	1		
20	94201-20150	PIN, SPLIT, 2.0X15	1	1	1		
21	94301-08140	PIN A, DOWEL, 8X14	2	2	2		

8115-6

E-6 Oil Filter Rotor - Oil Pump

G 7

E-5 Oil Filter Rotor - Oil Pump



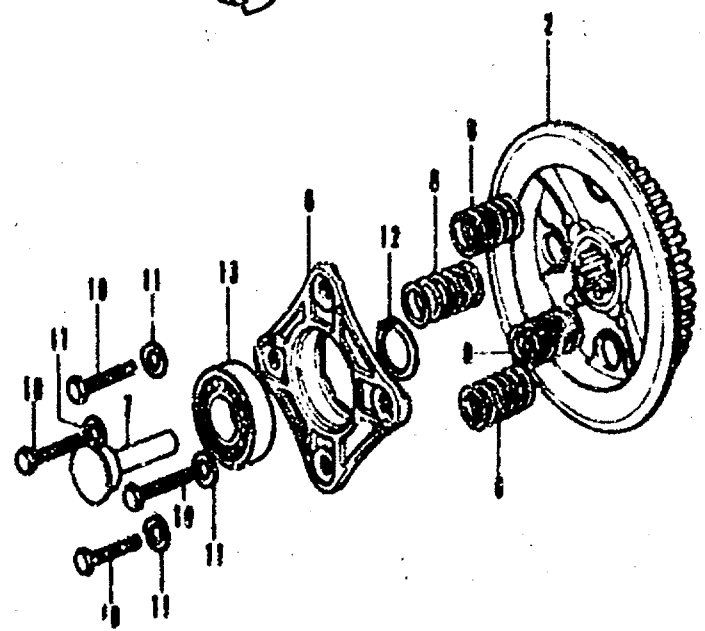
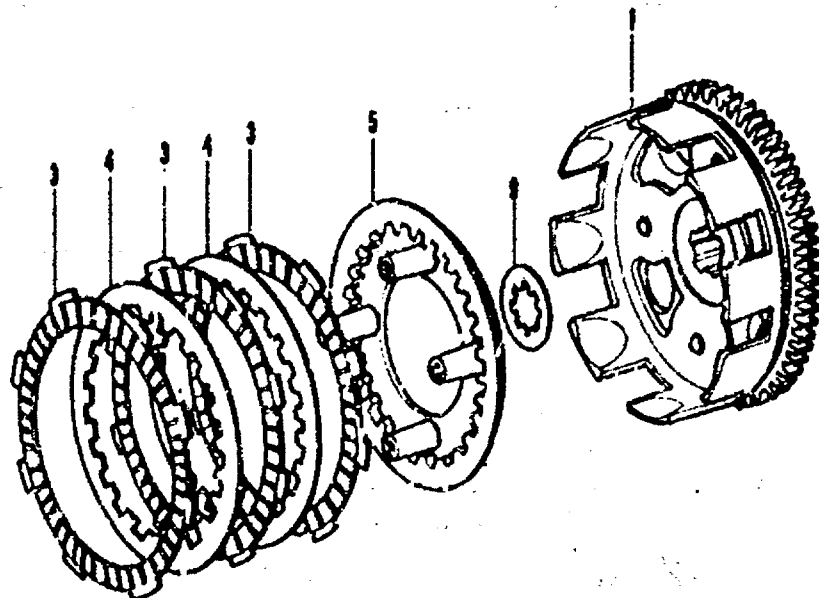
Ref. No.	Part No.	Description	Reqd. No.			Serial No.	Area code
			K1	K2	K3		
1	12421-115-000	GEAR, TACHOMETER PINION	1	1	1		
2	15106-115-000	COVER, OIL PUMP GEAR	1	1	1		
3	15111-115-020	BODY, OIL PUMP	1				1312978
	15111-149-000	BODY, OIL PUMP		1			1312979
4	15116-107-020	PLATE, OIL PUMP	1	1	1		
5	15126-107-020	GASKET, OIL PUMP	1	1	1		
6	15131-116-000	GEAR, OIL PUMP DRIVE	1	1	1		
7	15331-115-000	ROTOR, OIL PUMP INNER	1	1	1		
8	15332-115-000	ROTOR, OIL PUMP OUTER	1	1	1		
9	15430-116-000	ROTOR, OIL FILTER	1	1	1		
10	15436-107-000	CAP, OIL FILTER ROTOR	1	1	1		
11	15441-107-000	THROUGH, OIL	1	1	1		
12	15446-107-000	SPRING, OIL THROUGH	1	1	1		
13	15459-107-000	GASKET, OIL FILTER ROTOR CAP	1	1	1		
14	23121-116-010	GEAR, PRIMARY DRIVE (18T)	1	1	1		
15	90033-115-000	WASHER, SUPER LOCK	1	1	1		
16	90231-041-000	NUT, LOCK, 14MM	1	1	1		
17	90443-844-000	WASHER, THRUST, 8MM	1	1	1		
18	90451-115-000	WASHER, 14.2MM	1	1	1		
19	91304-107-000	O-RING, 9.4X2.4	2	2	2		
20	92000-05018-0A	BOLT, HEX., 5X18	2	2	2		
21	92000-06022	BOLT, HEX., 6X22	2	2	2		
22	93600-04012-0A	SCREW, FLAT, 4X12	2	2	2		
23	93700-05012-0A	SCREW, OVAL, 5X12	3	3	3		
24	94251-08000	PIN, LOCK, 8PH	1	1	1		

E-7 Clutch



E-7 Clutch

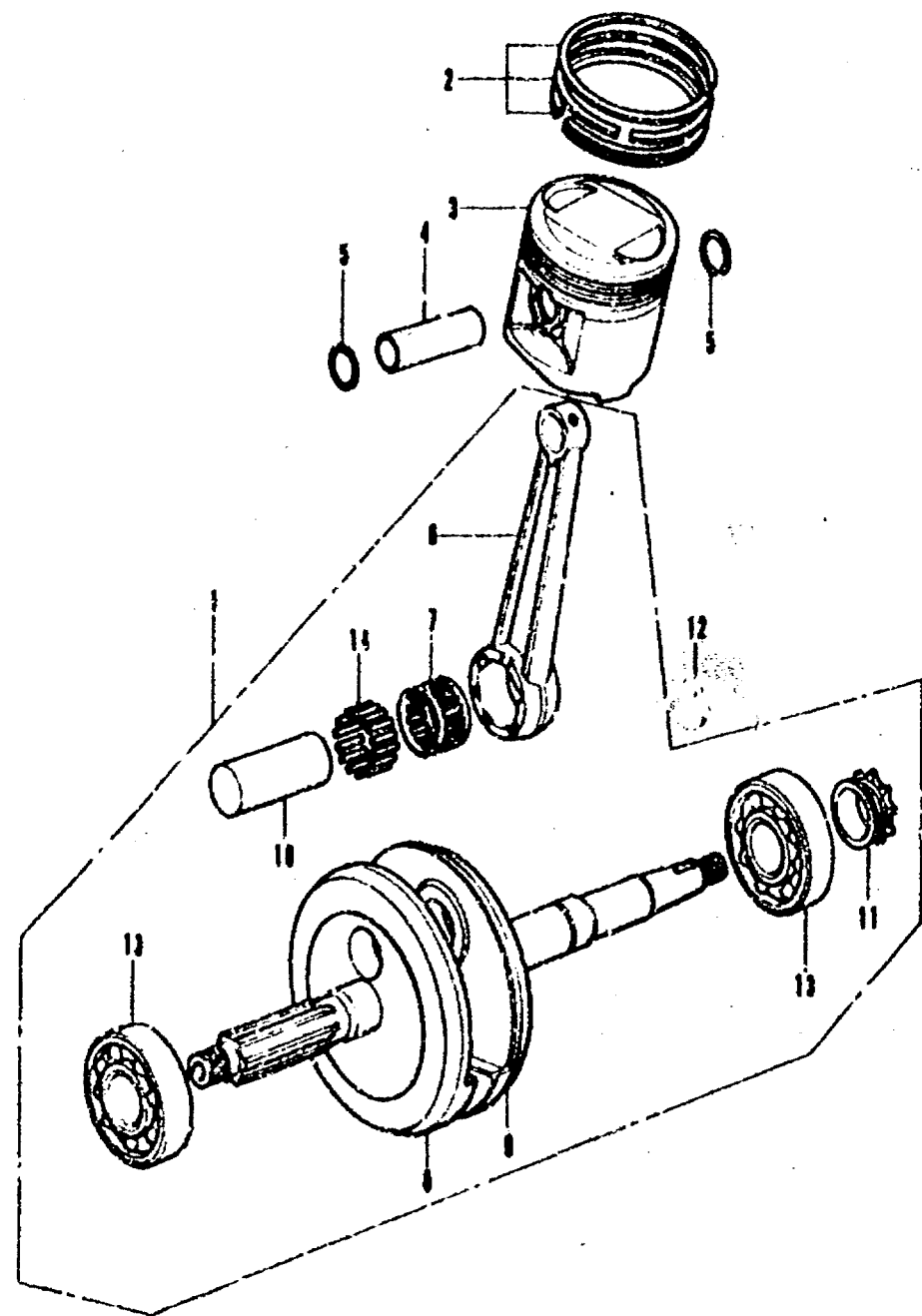
Ref. No.	Part No.	Description	Recd. No.			Serial No.	Area code
			X	R	R3		
1	22100-116-000	OUTER COMP., CLUTCH (69T)	1	1	1		
2	22221-115-010	CENTER, CLUTCH (16T)	1	1	1		
3	22201-107-000	DISK, CLUTCH FRICTION	3	3	3		
4	22311-107-000	PLATE, CLUTCH	2	2	2		
5	22350-115-020	PLATE, CLUTCH PRESSURE	1	1	1		
6	22361-107-000	PLATE, CLUTCH LIFTER	1	1	1		
7	22366-115-000	PIN, CLUTCH LIFTER GUIDE	1	1	1		
8	22401-116-000	SPRING, CLUTCH	4	4	4		
9	90462-115-010	WASHER 8, SPLINE, 17MM	1	1	1		
10	92000-06025	NUT, HEX., 6X25	4	4	4		
11	94101-06000	WASHER, PLAIN, 6MM	4	4	4		
12	94510-17000	CIR CLIP, EXTERNAL, 17MM	1	1	1		
13	96100-60010	BEARING, BALL, 600!	1	1	1		



E-8 Crankshaft - Piston



E-8 Crankshaft - Piston

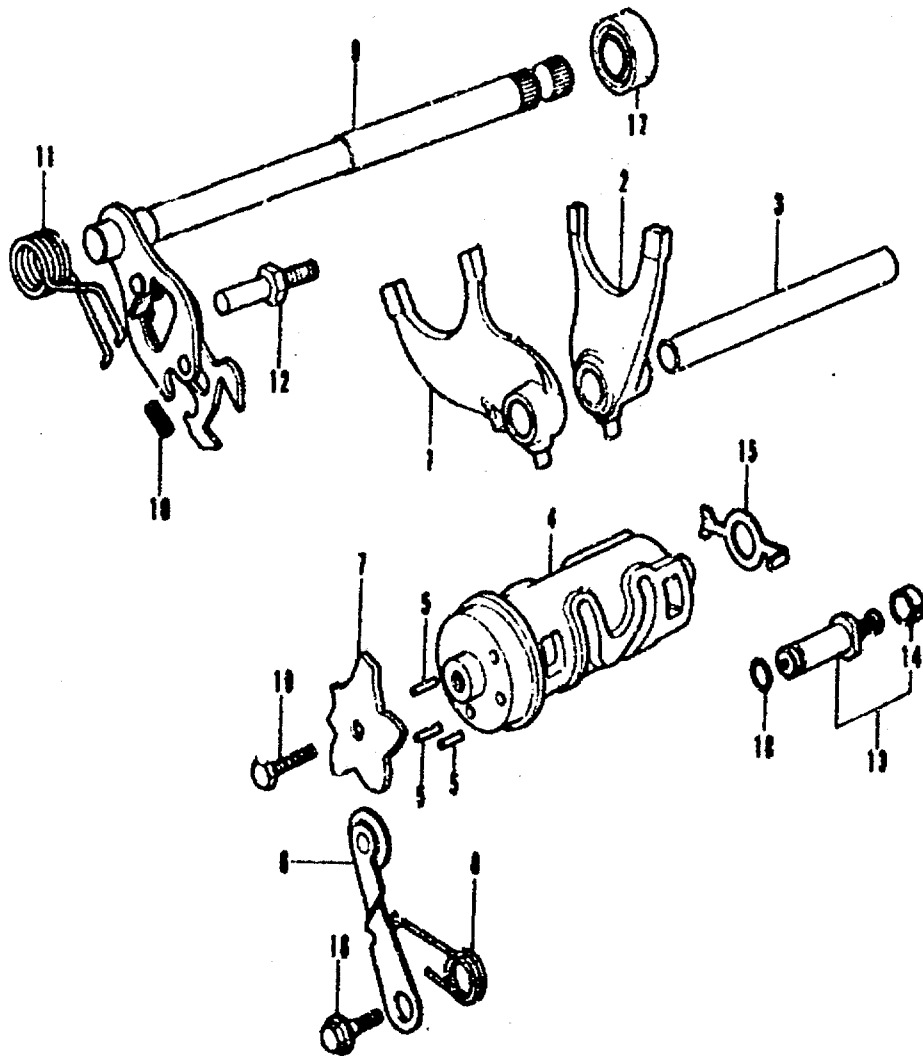


Ref. No.	Part No.	Description	Recd. No.			Serial No.	Area code
			K1	K2	K3		
1	13000-116-030	CRANKSHAFT ASSY.	1	1	1		
2	13011-116-000	RING SET; PISTON (STD.)	1				
	13011-116-004						
	13011-116-003	RING SET; PISTON (STD. NIPPON PISTON)	1	1	1		
	13011-116-004	RING SET; PISTON (STD. RIKEN PISTON)	1	1	1		
	13021-116-000	RING SET; PISTON (0.25)	1				
	13021-116-004						
	13021-116-003	RING SET; PISTON (0.25 NIPPON PISTON)	1	1	1		
	13021-116-004	RING SET; PISTON (0.25 RIKEN PISTON)	1	1	1		
	13031-116-000	RING SET; PISTON (0.50)	1				
	13031-116-004						
	13031-116-003	RING SET; PISTON (0.50 NIPPON PISTON)	1	1	1		
	13031-116-004	RING SET; PISTON (0.50 RIKEN PISTON)	1	1	1		
	13041-116-000	RING SET; PISTON (0.75)	1				
	13041-116-004						
	13041-116-003	RING SET; PISTON (0.75 NIPPON PISTON)	1	1	1		
	13041-116-004	RING SET; PISTON (0.75 RIKEN PISTON)	1	1	1		
	13051-116-000	RING SET; PISTON (1.00)	1				
	13051-116-004						
	13051-116-003	RING SET; PISTON (1.00 NIPPON PISTON)	1	1	1		
	13051-116-004	RING SET; PISTON (1.00 RIKEN PISTON)	1	1	1		
3	13101-116-010	PISTON (STD.)	1	1	1		
	13102-116-010	PISTON (0.25)	1	1	1		
	13103-116-010	PISTON (0.50)	1	1	1		
	13104-116-010	PISTON (0.75)	1	1	1		
	13105-116-010	PISTON (1.00)	1	1	1		
4	13111-087-000	PIN; PISTON	1	1	1		
5	13115-001-000	CLIP; PISTON PIN	2	2	2		
6	13201-036-000	ROD; CONNECTING	1	1	1		
7	13211-035-000	RETAINER; CONNECTING ROD ROLLER	1	1	1		
8	13370-116-320	CRANKSHAFT; R.	1	1	1		
9	13321-116-310	CRANKSHAFT; L.	1	1	1		
10	13381-035-320	PIN; CRANK	1	1	1		
11	14311-116-000	SPROCKET; TIMING	1	1	1		
12	90741-035-060	KEY; WOODRUFF; 3X5	1	1	1		
13	91001-116-008	BEARING; RADIAL BALL; 6322 (1070)	2	2	2		
14	91101-001-030	ROLLER; ROD; 2.5X10	22	22	22		

# G 10

## E-9 Gear Shift

## E-9 Gear Shift

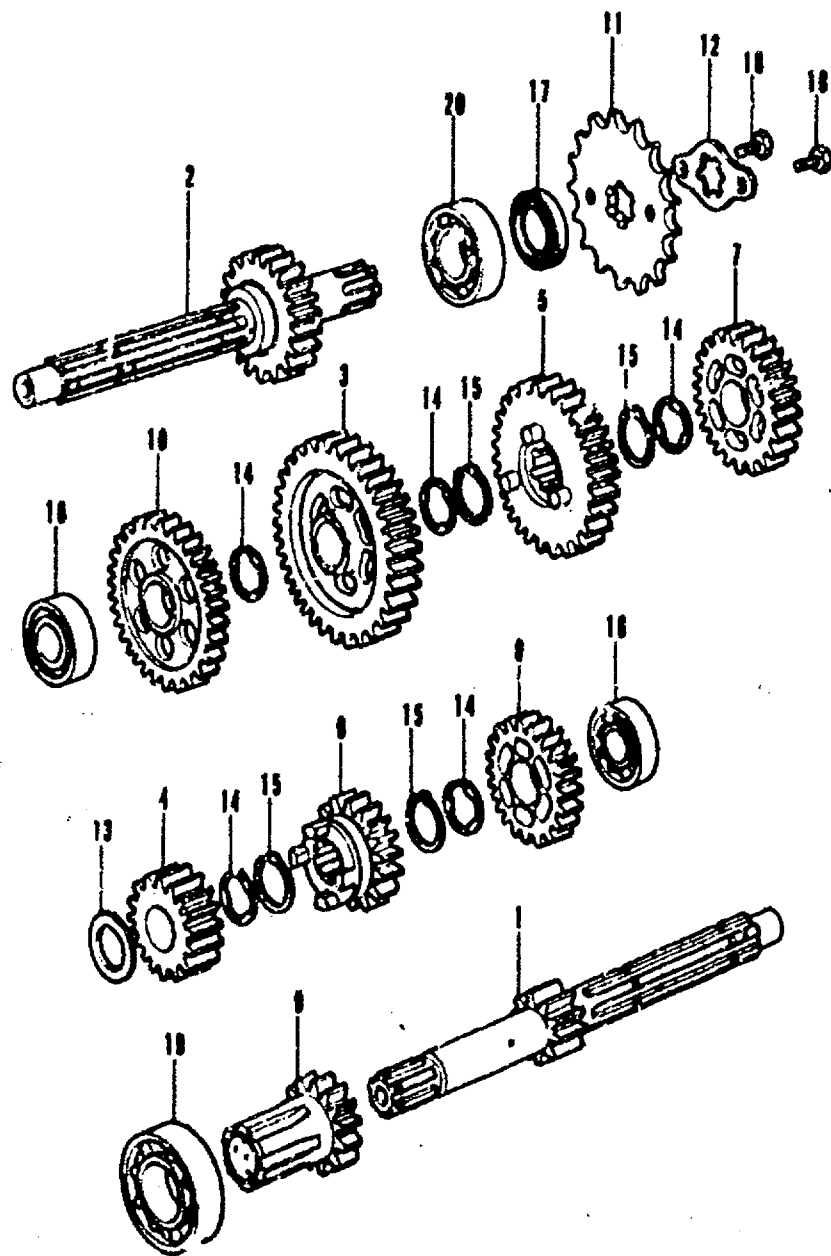


Ref. No.	Part No.	Description	Reqd. No.			Serial No.	Area code
			X	R	K		
1	24211-115-000	FORK; R. GEAR SHIFT	1	1	1		
2	24231-115-000	FORK; CENTER GEAR SHIFT	1	1	1		
3	24241-116-000	SHAFT; GEAR SHIFT FORK GUIDE	1	1	1		
4	24301-116-010	DRUM; GEAR SHIFT	1	1	1		
5	24421-200-000	PIN; GEAR SHIFT DRUM	3	3	3		
6	24430-115-000	STOPPER COMP.; SHIFT DRUM	1	1	1		
7	24435-115-020	PLATE; DRUM STOPPER	1	1	1		
8	24436-115-030	SPRING; SHIFT DRUM STOPPER	1	1	1		
9	24610-116-000	SPINDOLE COMP.; GEAR SHIFT	1	1	1		
10	24641-115-010	SPRING; GEAR SHIFT ARM	1	1	1		
11	24651-107-000	SPRING; GEAR SHIFT RETURN	1	1	1		
12	24652-035-000	PIN; SHIFT RETURN SPRING	1	1	1		
13	35750-328-000	CONTACT ASSY.; NEUTRAL SWITCH	1	1	1		
14	35752-328-300	SPEACER; NEUTRAL SWITCH	1	1	1		
15	35753-115-000	ROTOR; NEUTRAL SWITCH	1	1	1		
16	90023-041-000	PIVOT; SHIFT DRUM STOPPER ARM	1	1	1		
17	91204-035-000	OIL SEAL; 511.6X24X10	1	1	1		
18	91312-107-000	O-RING; 7X1.7	1	1	1		
19	92000-06016	BOLT; HEX.; 6X16	1	1	1		

## E-10 Transmission

G 11

## E-10 Transmission



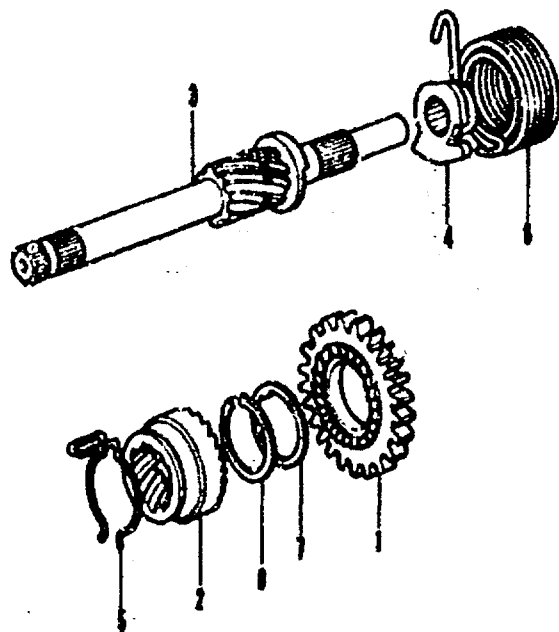
Ref. No.	Part No.	Description	Regd. No.			Serial No.	Area code
			X	R	K		
1	23211-116-020	SHAFT, TRANSMISSION MAIN (14T)	1	1	1		
2	23221-116-010	SHAFT, TRANSMISSION COUNTER (25T)	1	1	1		
3	23426-116-020	GEAR, COUNTER SHAFT LOW (35T)	1	1	1		
4	23441-116-010	GEAR, MAIN SHAFT SECOND (18T)	1	1	1		
5	23451-116-010	GEAR, COUNTER SHAFT SECOND (31T)	1	1	1		
6	23461-116-010	GEAR, MAIN SHAFT THIRD (21T)	1	1	1		
7	23471-116-010	GEAR, COUNTER SHAFT THIRD (28T)	1	1	1		
8	23501-116-010	GEAR, MAIN SHAFT TOP (24T)	1	1	1		
9	23520-115-010	GEAR COMP., PRIMARY STARTER (17T)	1	1	1		
10	23530-116-000	GEAR, PRIMARY IDLE (31T)	1	1	1		
11	23800-116-010	SPROCKET, DRIVE (14T)	1	1	1		
12	23802-040-000	PLATE, DRIVE SPROCKET FIXING	1	1	1		
13	90453-115-000	WASHER, Ø THRUST, 17MM	1	1	1		
14	90461-115-000	WASHER, SPLINE, 17MM	5	5	5		
15	90801-001-000	CIR CLIP, 17MM	4	4	4		
16	91001-115-000	BEARING, BALL, 6201F	2	2	2		
17	91203-035-000	OIL SEAL, 17X29X5	1	1	1		
18	92000-06008	BOLT, HEX., 8X8	2	2	2		
19	96100-60050	BEARING, RADIAL BALL, 6005	1	1	1		
20	96100-62030	BEARING, RADIAL BALL, 6203	1	1	1		

E-11 Kick Starter

G 12

E-11 Kick Starter

Ref. No.	Part No.	Description	Reqd. No.			Serial No.	Area code
			K1	K2	K3		
1	28212-115-010	PINION; KICK STARTER	1	1	1		
2	28221-107-010	HATCHET; KICK STARTER DRIVE	1	1	1		
3	28250-116-000	SPINDLE COMP.; KICK STARTER	1	1	1		
4	28262-116-000	RETAINER; KICK SPRING	1	1	1		
5	28271-107-000	SPRING; STARTER PINION FRICTION	1	1	1		
6	28281-035-010	SPRING; KICK STARTER	1	1	1		
7	90458-107-000	WASHER; THRUST; 25MM	1	1	1		
8	90601-107-000	CIR-CLIP 25MM	1	1	1		

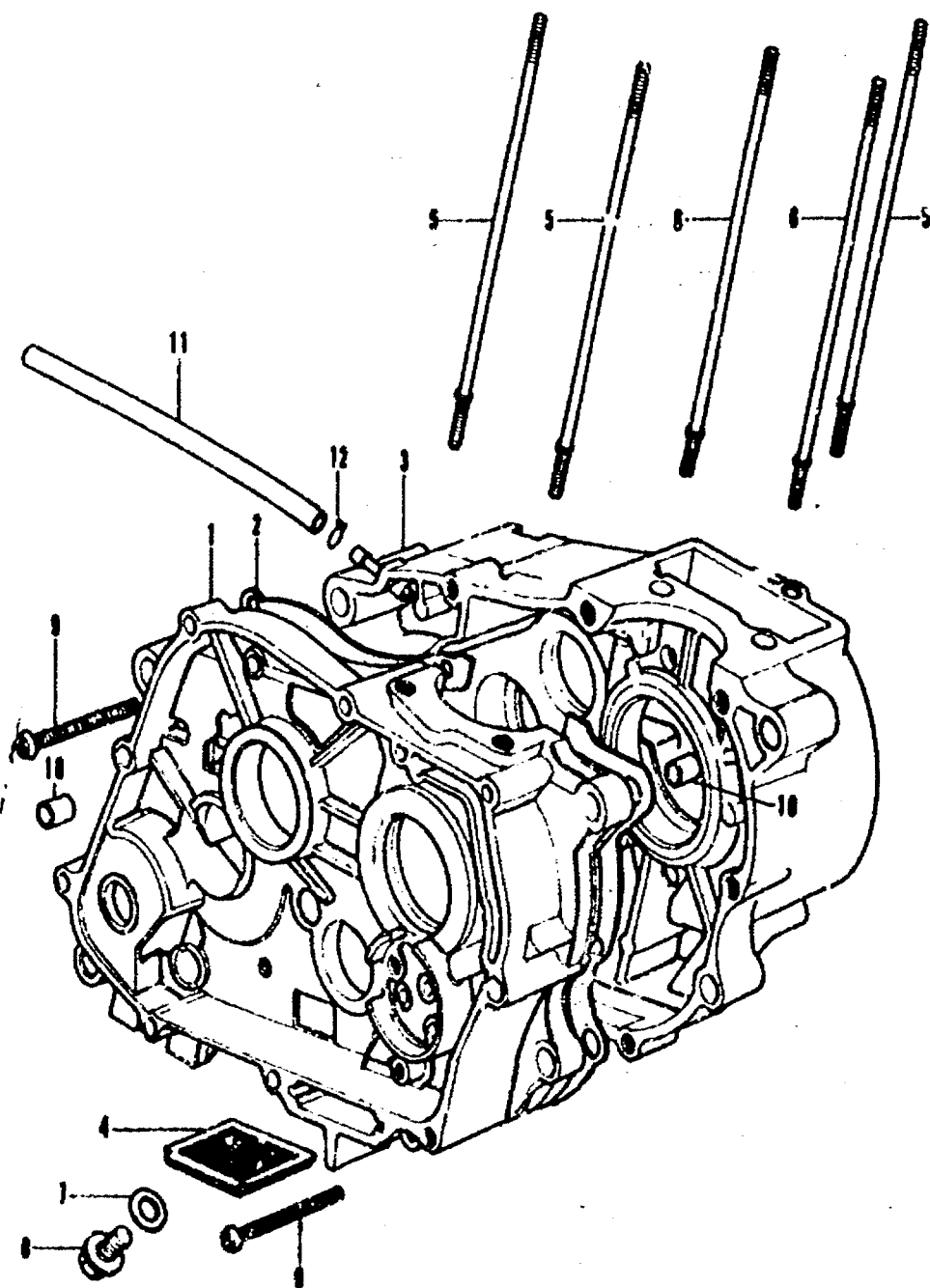


E-12 Crankcase

G 13

E-12 Crankcase

Ref. No.	Part No.	Description	Reqd. No.			Serial No.	Area code
			R1	R2	R3		
1	11100-116-000	CRANKCASE COMP. R.	1	1	1		
2	11191-115-020	GASKET CRANKCASE	1	1	1		
3	11200-116-000	CRANKCASE COMP. L.	1	1	1		
4	15421-035-010	SCREEN OIL FILTER	1	1	1		
5	90031-116-000	BOLT A: CYLINDER STUD	3	3	3		
6	90032-035-000	BOLT B: CYLINDER STUD	2	2	2		
7	90407-259-000	PACKING DRAIN COCK	1	1	1		
8	92800-12000	BOLT DRAIN PLUG 12MM	1	1	1		
9	93500-06045	SCREW PAN 6X45	2	2	2		
10	94301-12200	PIN A: DOWEL 12X20	2	2	2		
11	95001-50180	TUBE FUEL 5.0X180	1	1	1		
12	95002-50000	CLIP TUBE C9	1	1	1		



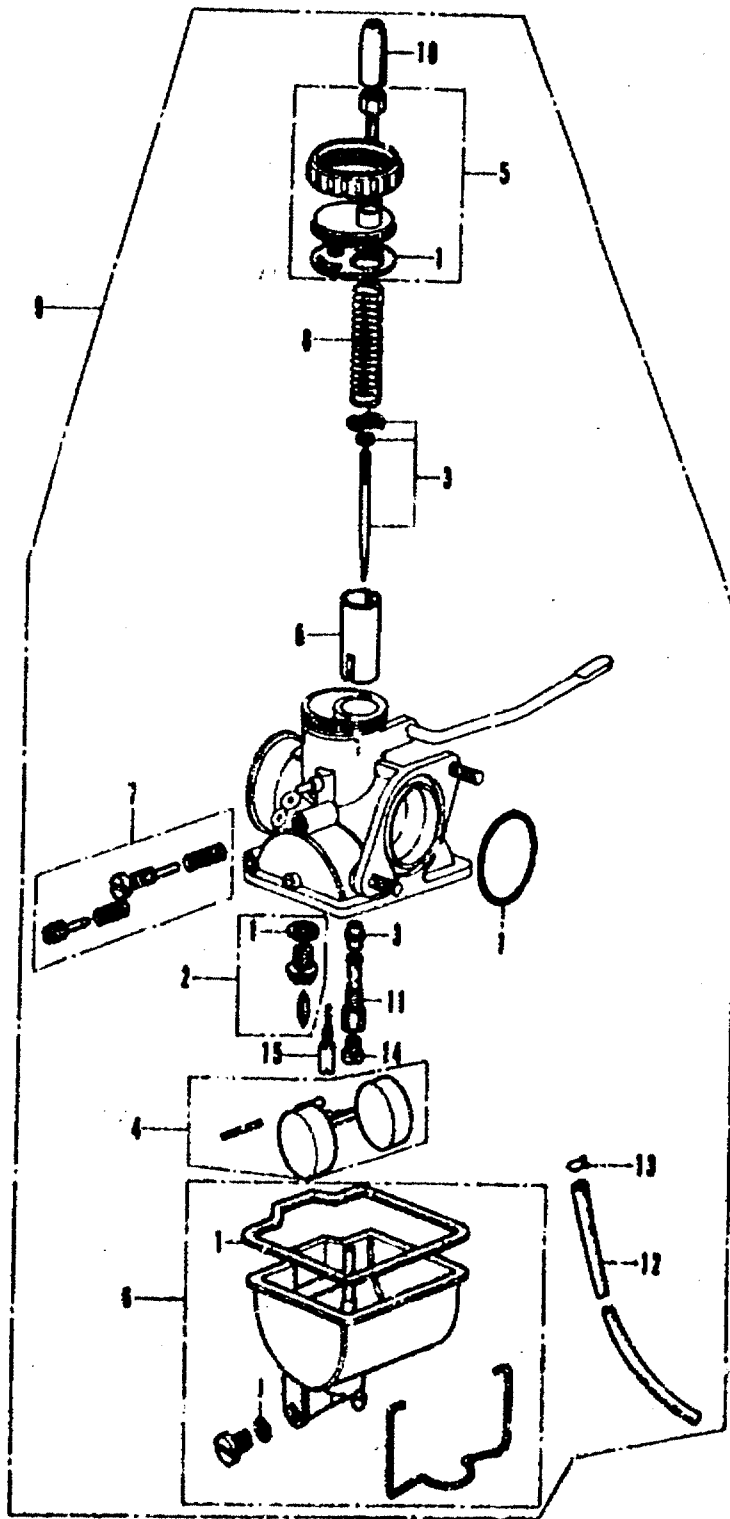
B116-12



G 14

E-13 Carburetor (XR75K1 - K2)

E-13 Carburetor (XR75K1 - K2)

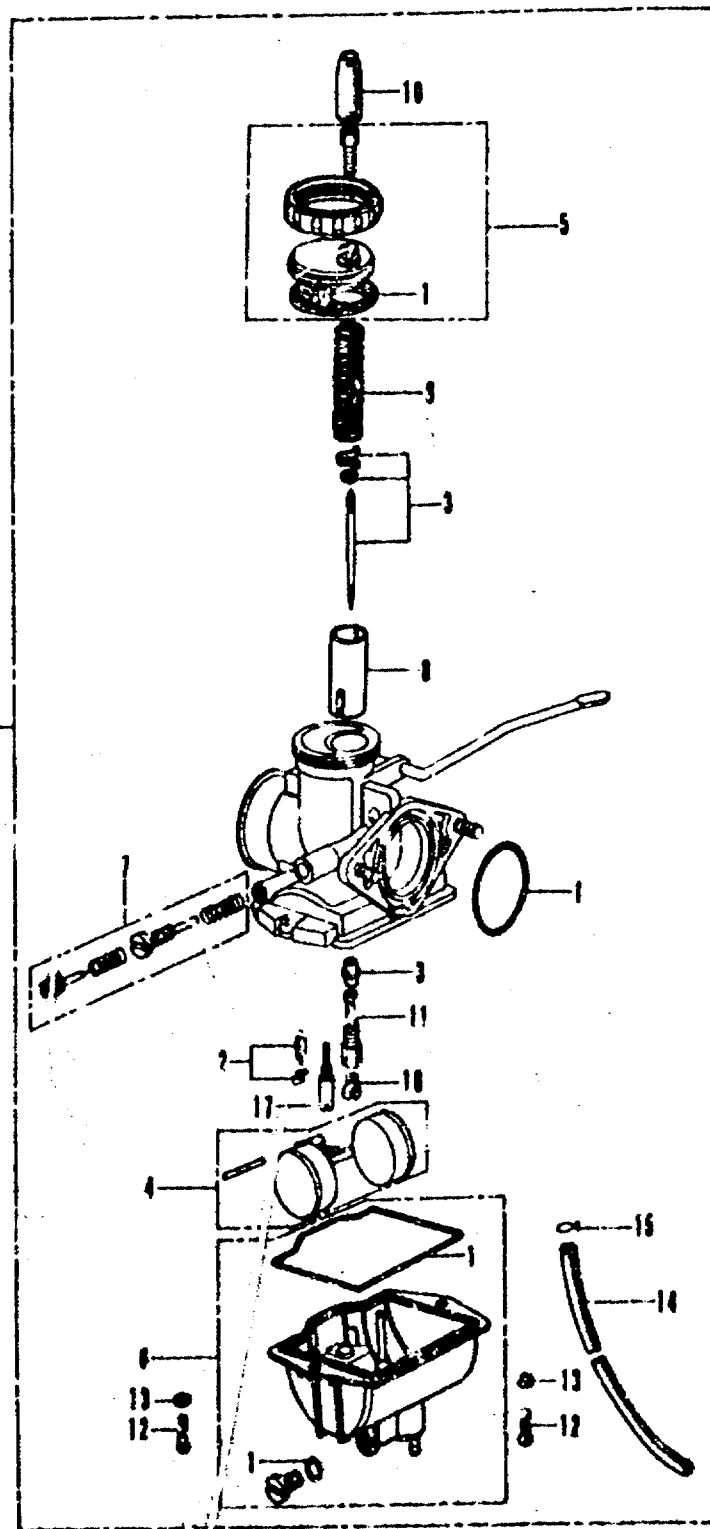


Ref. No.	Part No.	Description	Reqd. No.			Serial No.	Area code
			K1	K2	K3		
1	16010-107-004	GASKET SET	1	1			
2	16011-116-004	VALVE SET, FLOAT 16011-116-014	1	1			
	16011-116-014	VALVE SET, FLOAT	1	1			
3	16012-116-004	NEEDLE SET, JET	1	1			
4	16013-046-004	FLOAT SET	1	1			
5	16014-306-004	TOP SET	1	1			
6	16015-028-004	CHAMBER SET, FLOAT	1	1			
7	16016-046-004	SCREW SET A	1	1			
8	16022-107-004	VALVE SET, THROTTLE	1	1			
9	16100-116-004	CARBURETOR ASSY.	1	1			
10	16118-086-004	CAP, CABLE (KEIHINI)	1	1			
11	16165-116-004	HOLDER, NEEDLE JET	1	1			
12	95001-35306-40	TUBE, FUEL, 3.5X300	1	1			
13	5002-02070	CLIP, TUBE, BT	1	1			
14	99114-246-1000	JET, MAIN (#100)	1	1			
15	99124-223-0380	JET, SLOW (#38)	1	1			

## E-13-1 Carburetor (XR75K3)

G 15

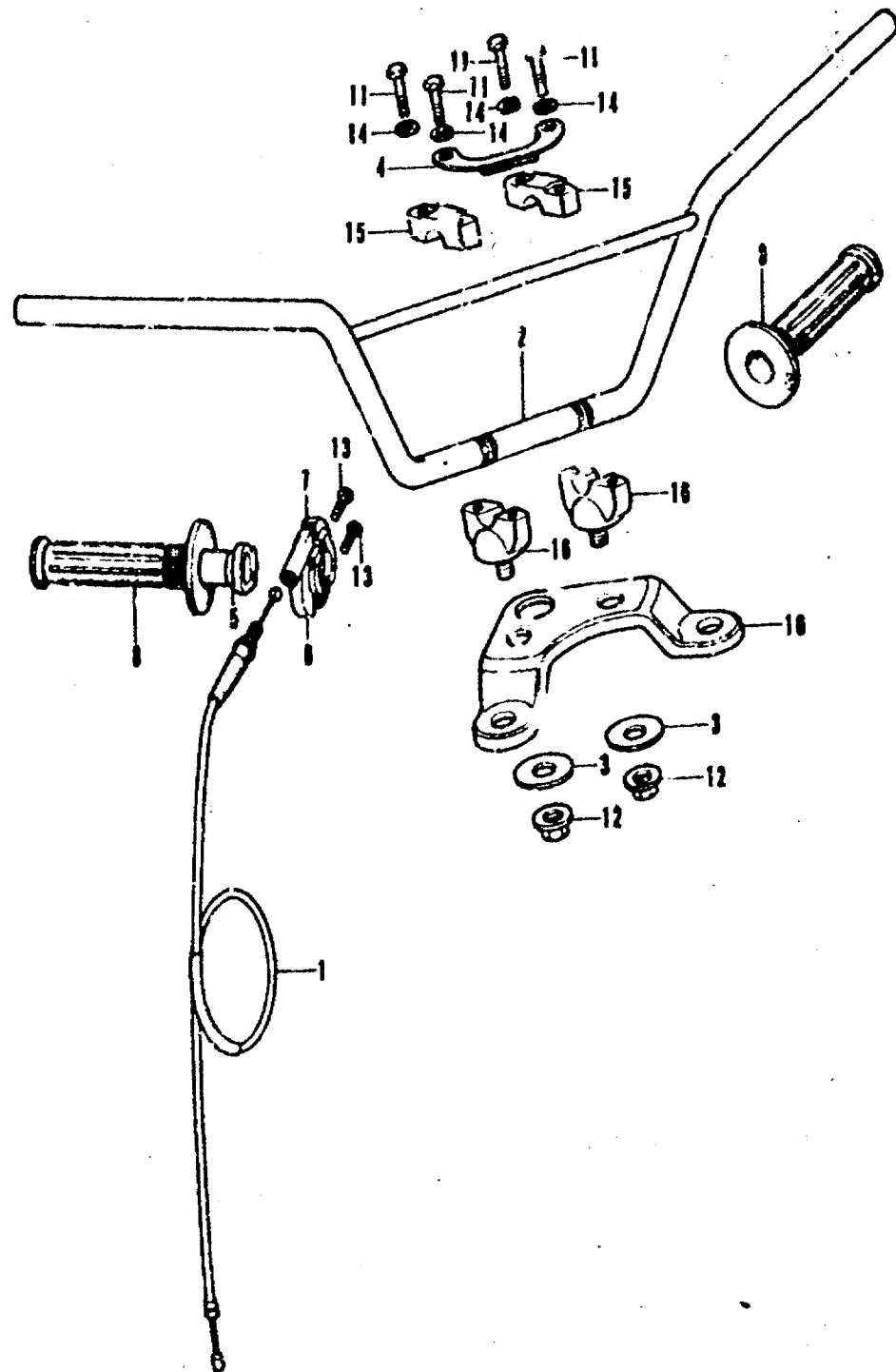
## E-13-1 Carburetor (XR75K3)



Ref. No.	Part No.	Description	Reqd. No.			Serial No.	Area code
			XF75	K1	K2		
1	16010-116-700	PACKING SET				1	
2	16011-143-620	VALVE SET; FROAT				1	
3	16012-116-700	NEEDLE SET; JET				1	
4	16013-116-700	FLOAT SET				1	
5	16014-116-700	TOP SET				1	
6	16015-116-700	CHAMBER SET; FLOAT				1	
7	16016-143-620	SCREW SET				1	
8	16022-116-700	VALVE SET; THROTTLE				1	
9	16100-116-701	CARBURETOR ASSY.				1	
10	16118-086-004	CAP; CABLE (KEIHI)				1	
11	16155-116-700	HOLDER; NEEDLE JET				1	
12	92510-04012-0A	SCREW; PAN; 4X12				2	
13	94111-04002	WASHER; SPRING; 4MM				2	
14	95001-35300-40	TUBE; FUEL; 3.5X300				1	
15	95002-02070	CLIP; TUBE; 87				1	
16	99101-116-1000	JET; MAIN (#100)				1	
17	99103-116-0350	JET; S.O.V. #35				1	

# G 16

## F-1 Steering Handle



## F-1 Steering Handle

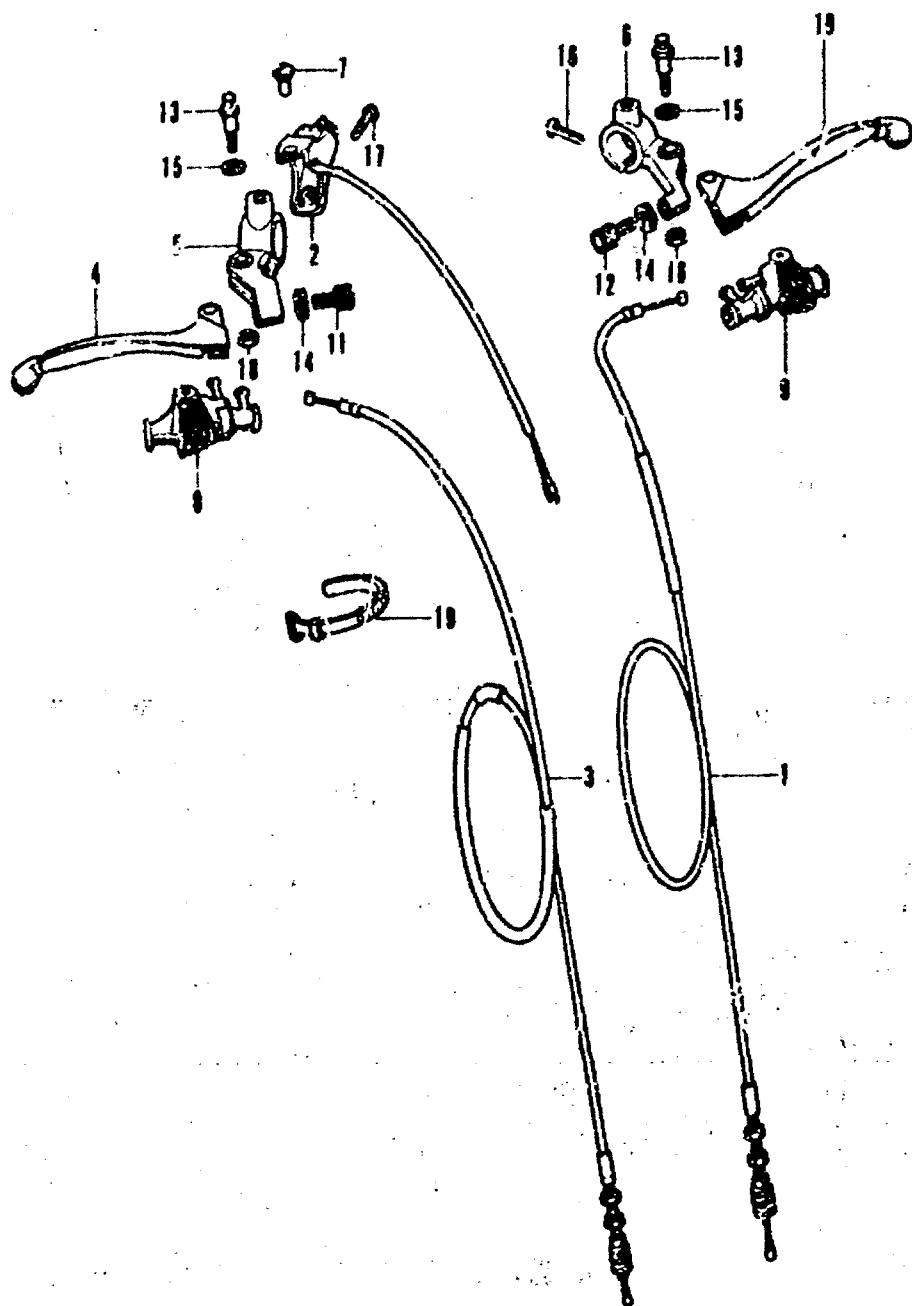
Ref. No.	Part No.	Description	Reqd. No.			Serial No.	Area code
			X R 75	K1	K3		
1	17910-116-690	CABLE COMP., THROTTLE	1	1			
	17910-116-710	CABLE COMP., THROTTLE			1		
2	53100-116-690	PIPE, STEERING HANDLE	1	1	1		
3	53135-028-000	SEAT, HANDLE CUSHION	2	2	2		
4	53139-107-721	HOLDER, CABLE	1	1	1		
5	53141-355-000	PIPE, THROTTLE GRIP	1	1	1		
6	53143-355-000	UPPER, CASE	1	1	1		
7	53144-355-000	LOWER, CASE	1	1	1		
	53165-116-670	RUBB. R, R. HANDLE	1	1	1		
9	53166-116-670	RUBBER, L. HANDLE	1	1	1		
10	53231-116-670CT	BRIDGE, FORK TOP	1	1	1		
11	90117-065-000	BOLT, HEX., 6X28	4	4	4		
12	90354-115-000	NUT, HEX., 10MM	2	2	2		
13	93500-05070-0A	SCREW, PAN, 5X20	2	2	2		
14	75101-05000	WASHER, PLAIN, 6MM	4	4	4		
15	95014-21200	HOLDER A2, UPPER	2	2	2		
16	95014-32100	HOLDER B2, UNDER	2	2	2		

811C-14A

F-2 Kill Switch - Handle Lever

H 1

F-2 Kill Switch - Handle Lever



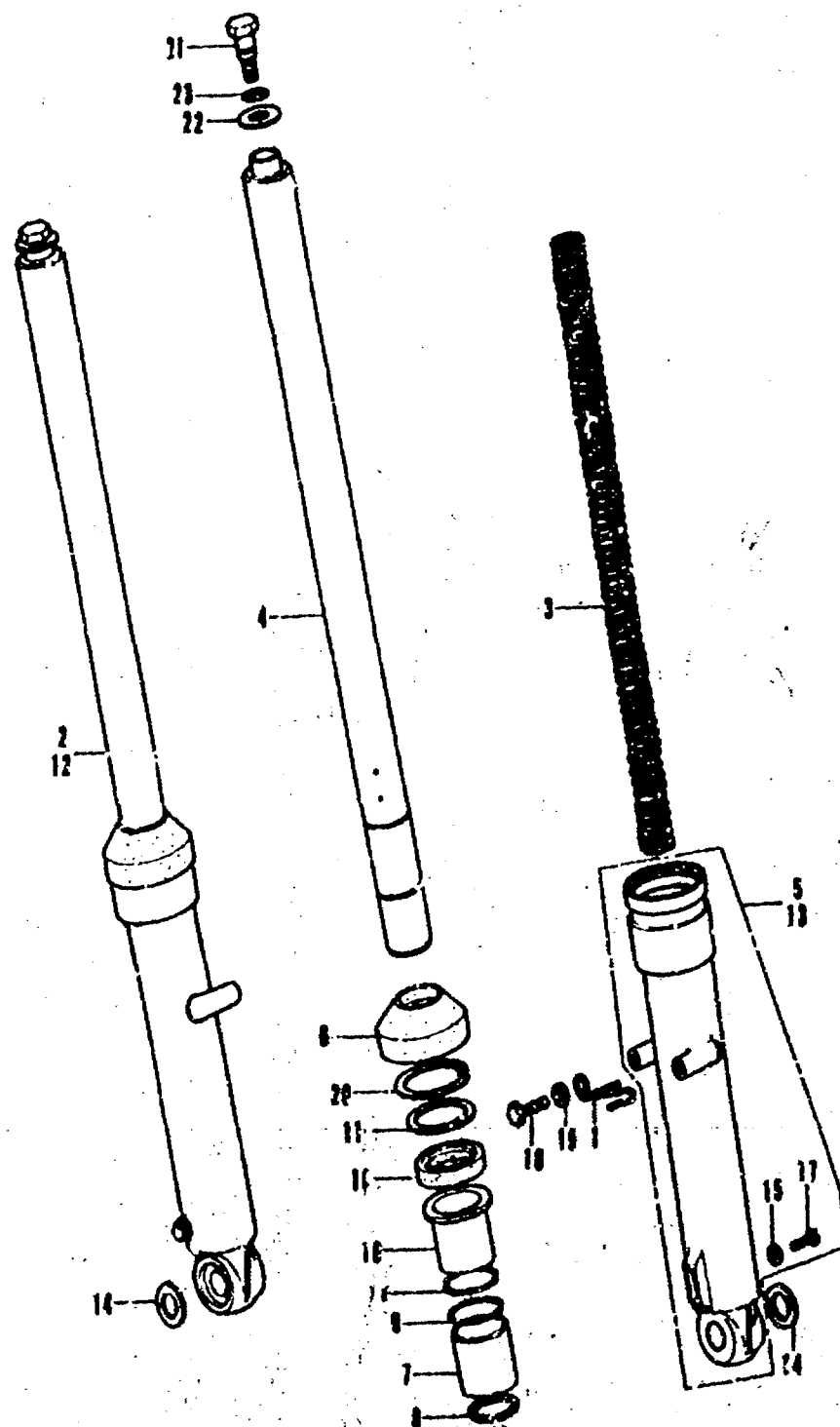
Ref. No.	Part No.	Description	Reqd. No.			Serial No.	Area code
			X275	K1	K2		
1	22870-116-670	CABLE COMP., CLUTCH	1				
	22070-116-671	CABLE COMP., CLUTCH		1	1		
2	35320-329-811	SWITCH ASSY., KILL	1	1	1		
3	45450-116-670	CABLE COMP., FR. BRAKE	1	1	1		
4	53170-074-670	LEVER COMP., R. STEERING HANDLE	1				
	53170-116-670	LEVER COMP., R. STEERING HANDLE	2	2			
5	53171-312-003	BRACKET, R. HANDLE LEVER	1	1	1		
6	53172-310-010	BRACKET, L. HANDLE LEVER	1	1	1		
7	53174-116-670	PLUG, HANDLE LEVER BRACKET	1	1	1		
8	53176-329-000	COVER, R. STEERING HANDLE LEVER	1	1	1		
9	53179-329-000	COVER, L. STEERING HANDLE LEVER	1	1	1		
10	53190-074-670	LEVER COMP., L. STEERING HANDLE	1				
11	53192-203-000	BOLT, CLUTCH WIRE ADJUSTING	1	1	1		
12	53192-268-000	BOLT, CLUTCH WIRE ADJUSTING	1	1	1		
13	90144-329-000	BOLT, HANDLE LEVER PIVOT	2	2	2		
14	90321-315-670	NUT, FIXING	2	2	2		
15	90501-310-000	WASHER, 7X12	2	2	2		
16	93500-05025	SCREW, PAN, 5X25	1	1	1		
17	93500-06028	SCREW, PAN, 6X28	1	1	1		
18	94001-06000	NUT, HEX, 6MM	2	2	2		
19	15014-42100	BAND BR, WIPE	1	1	1		

6113-15

F-3 Front Fork

H 2

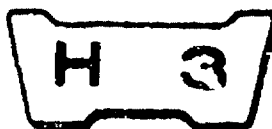
F-3 Front Fork



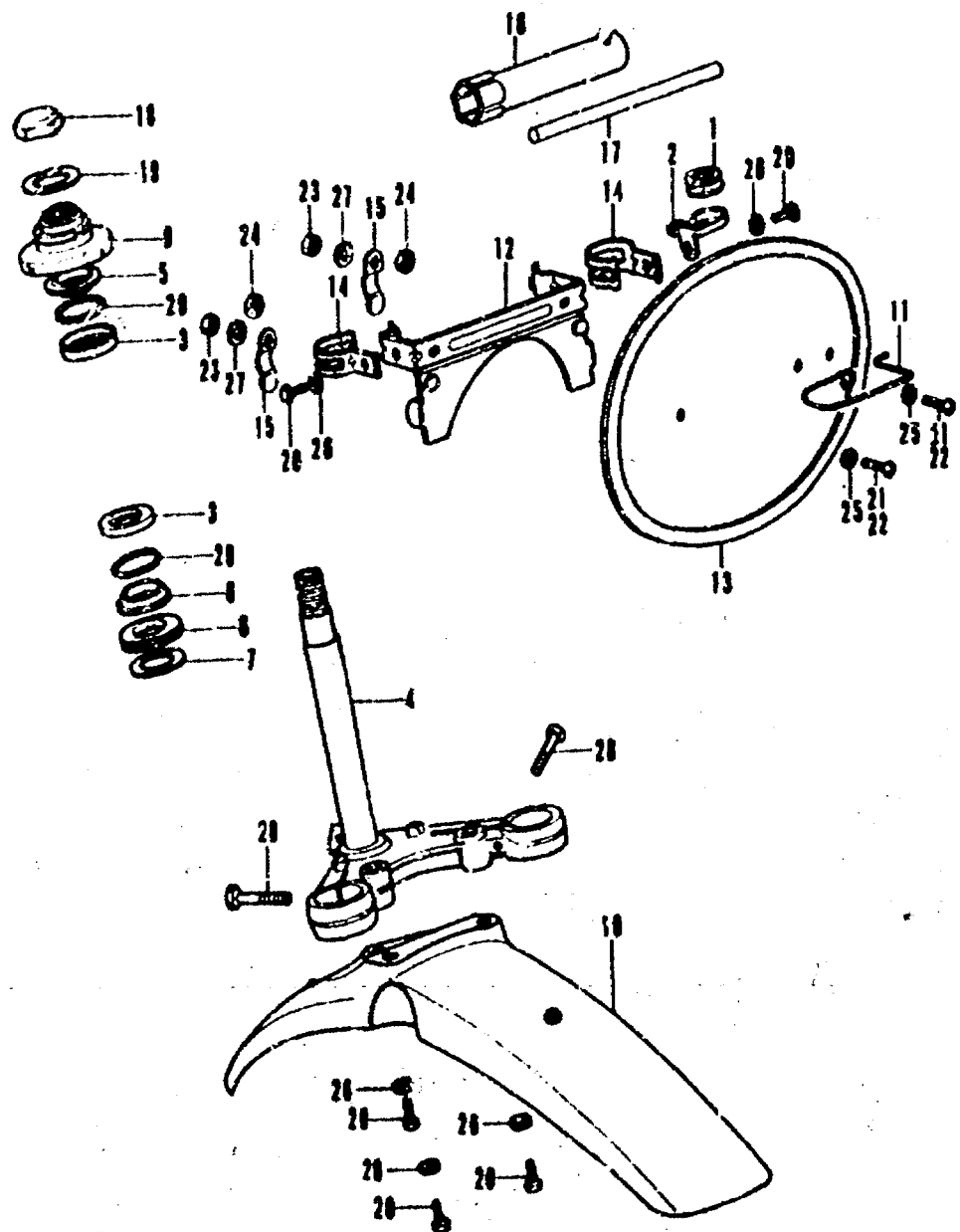
Ref. No.	Part No.	Description	Reqd. No.			Serial No.	Area code
			X1	X2	X3		
1	45469-116-670	CLIP, FR. BRAKE CABLE	1	1		1205361	
	45469-364-670	CLIP, FR. BRAKE CABLE	1	1		1205362	
2	51400-116-671ZC	FORK ASSY., R. FR. *A-26*	1	1	1		
3	51401-118-000	SPRING, FR. CUSHION	2	2	2		
4	51410-116-671	PIPE, FR. FORK	2	2	2		
5	51420-116-671ZC	CASE COMP., P. FR. FORK BOTTOM *A-26*	1	1	1		
6	51425-118-013	SEAL, FR. FORK DUST	2	2	2		
7	51442-229-000	PISTON, FR. FORK	2	2	2		
8	51445-028-000	RING, FR. FORK PISTON SHAP	2	2	2		
9	51446-028-000	RING, PISTON STOPPER	4	4	4		
10	51451-118-000	GUIDE, FR. FORK PIPE	2	2	2		
11	51452-118-000	RING, BACK UP	2	2	2		
12	51500-116-671ZC	FORK ASSY., L. FR. *A-26*	1	1	1		
13	51520-116-671ZC	CASE COMP., L. FR. FORK BOTTOM *A-26*	1	1	1		
14	90528-229-000	WASHER, 12.5MM	2	2	2		
15	90543-273-000	PACKING, FL. FORK DRAIN COCK	2	2	2		
16	90756-118-003	OIL SEAL, FR. FORK	2	2	2		
17	92000-06008	BOLT, HEX., 6X8	2	2	2		
18	92000-06012	BOLT, HEX., 6X12	1	1	1		
19	94101-08000	WASHER, PLAIN, 6MM	1	1	1		
20	94521-40000	CIR CLIP, 40MM	2	2	2		
21	94605-10101	BOLT A, FORK	2	2	2		
22	94606-13000	WASHER, FORK BOLT, 13MM	2	2	2		
23	94608-10100	O-RING, 8.4X2.4	2	2	2		

8116-18

F-4 Steering Stem - Front Fender



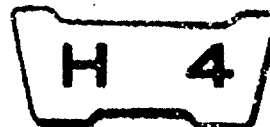
F-4 Steering Stem - Front Fender



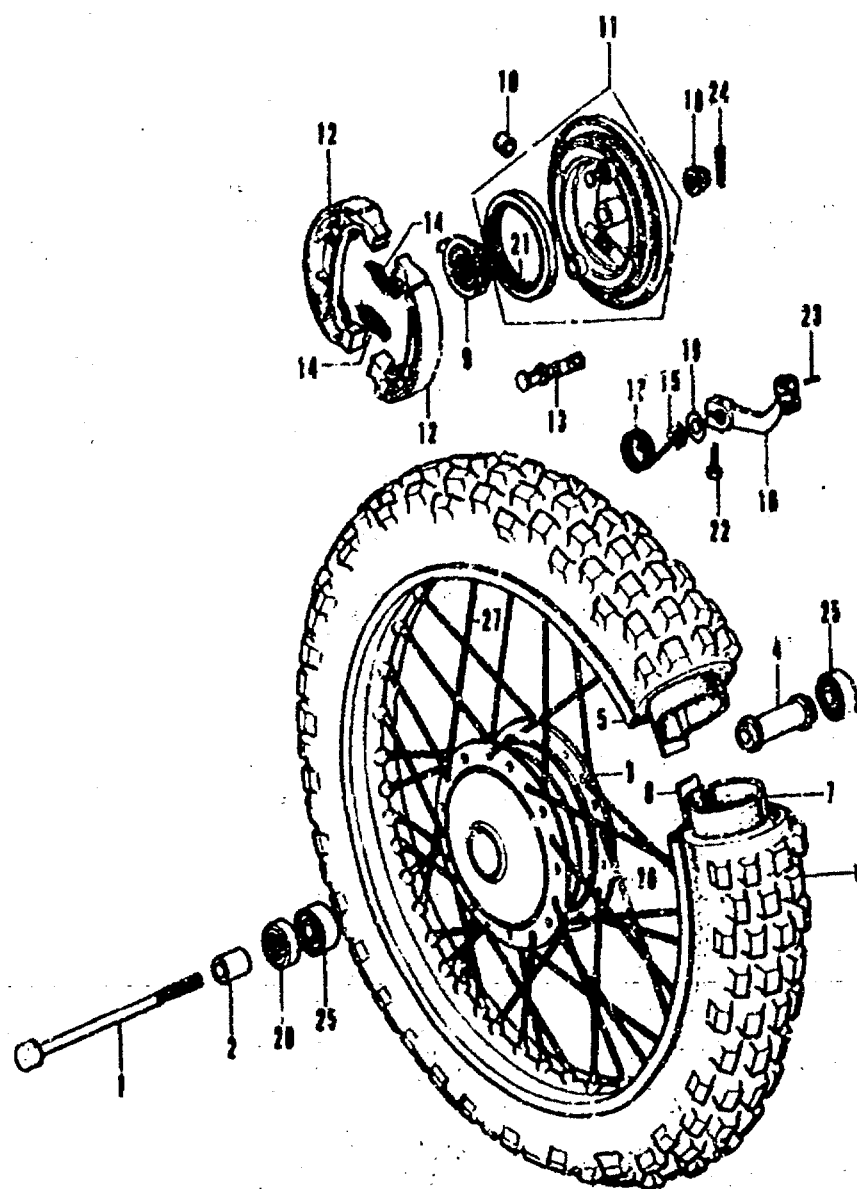
Ref. No.	Part No.	Description	Reqd. No.			Serial No.	Area code
			K1	K2	K3		
1	45466-329-300	INNER; CABLE GUIDE	1				
2	45467-116-671	CLIP A; FR. BRAKE CABLE	1				
3	50301-041-305	RACE; STEERING TOP BALL	2	2	2		
4	53200-116-6718	STEM COMP.; STEERING	1	1	1		
5	93211-028-305	RACE; STEERING TOP CONE	1	1	1		
6	53214-001-016	JUST SEAL; STEERING HEAD	1	1	1		
7	53215-001-000	WASHER; STEERING HEAD DUST SEAL	1	1	1		
8	53217-030-305	RACE; STEERING BOTTOM CONE	1	1	1		
9	53220-115-000	THREAD COMP.; STEERING HEAD TOP	1	1	1		
10	61100-116-6700N	FENDER COMP.; FR.	1				
	61100-116-6700A	FENDER; FR.	1				
	61100-116-7100C	FENDER COMP.; FR.	1				
11	61138-357-000	GUIDE; CABLE	1	1	1		
12	64111-116-690	STAY ASSY.; FR. NUMBER	1	1	1		
13	64113-116-690NF	PLATE; FR. NUMBER	1	1	1		
14	64115-116-670R	STAY; FR. NUMBER STEERING	2	2	2		
15	77136-114-670	PLATE; HOLDER PLUG WRENCH	2	2	2		
16	89216-045-670	WRENCH; PLUG	1	1	1		
17	89217-045-670	BAS; HANDLE	1	1	1		
18	90304-011-000	NUT; STEERING STEM	1	1	1		
19	90503-011-000	WASHER; STEERING STEM NUT	1				
	90503-051-870	WASHER; STEERING STEM NUT	1	1	1		
20	92000-06016	BOLT; HEX.; 6X16	5	5	5		
21	93500-05012-0A	SCREW; PAN; 5X12	2				
22	93500-05016-0A	SCREW; PAN; 5X16	2	2	2		
23	94001-05000-03	NUT; HEX.; 5MM	2	2	2		
24	94001-06000	NUT; HEX.; 6MM	2	2	2		
25	94101-05000	WASHER; PLAIN; 5MM	2	2	2		
26	94101-06000	WASHER; PLAIN; 6MM	7	7	7		
27	94111-05000	WASHER; SPRING; 5MM	2	2	2		
28	95300-08032	BOLT; HEX.; 8X32	2	2	2		
29	96211-06000	BALL; STEEL; 86	42	42	42		

B116-17

F-5 Front Wheel



F-3 Front Wheel

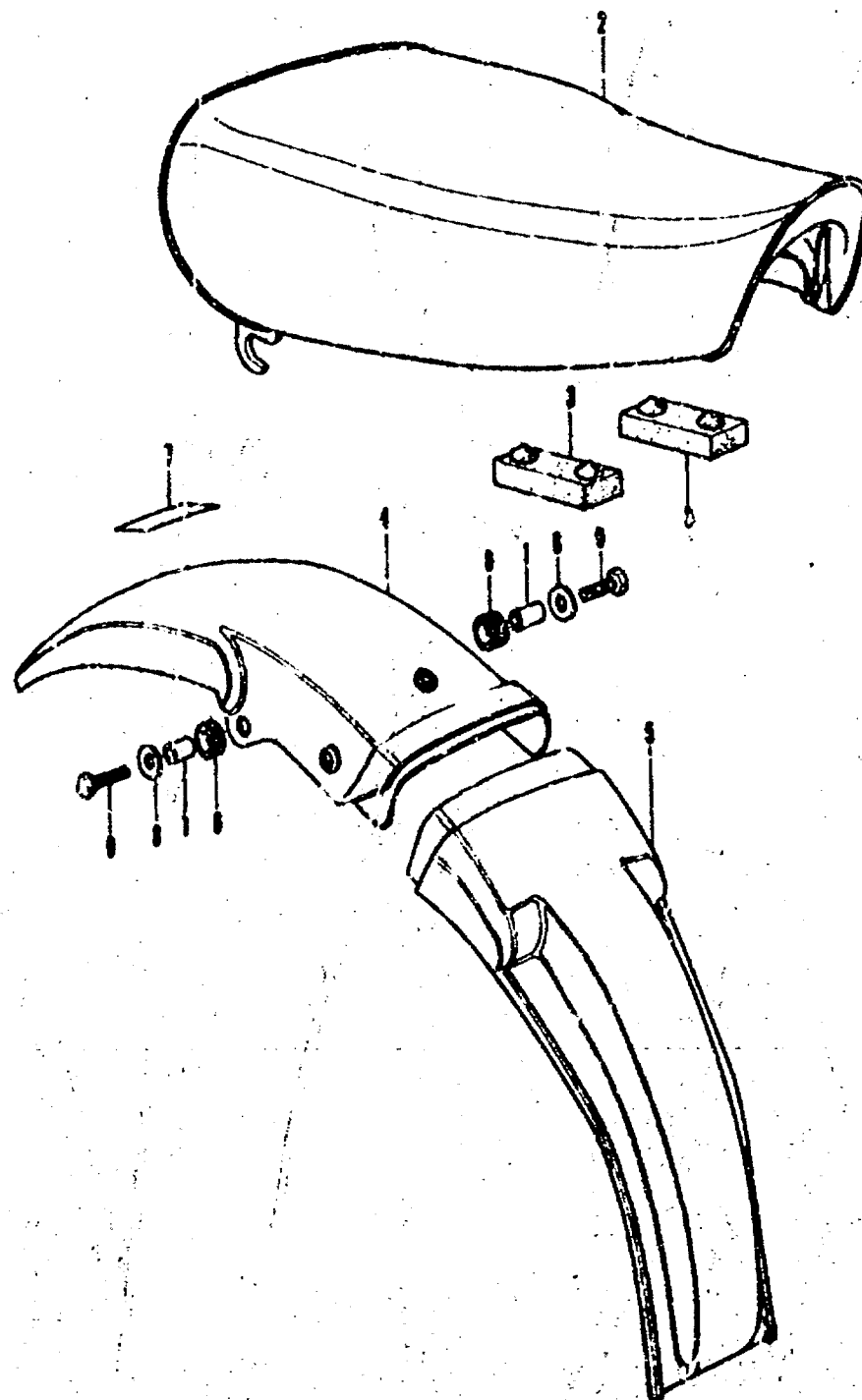


Ref. No.	Part No.	Description	Reqd. No.			Serial No.	Area code
			K1	K2	K3		
1	44301-107-000	AXLE, FR. WHEEL	1	1	1		
2	44311-229-000	COLLAR, FR. WHEEL SID	1	1	1		
3	44601-116-670	HUB, FR. WHEEL	1	1	1		
4	44620-030-000	COLLAR, FR. AXLE DISTANCE	1	1	1		
5	44701-118-013	RIM, FR. WHEEL (DA100)	1	1	1		
6	44711-116-671	TIPE, FR. WHEEL (2.50-16)	1	1	1		
7	44712-116-671	TUBE, FR. WHEEL	2	1	1		
8	44713-116-671	FLAP, FR. TUBE	1	1	1		
9	44804-116-670	GEAR COMP., SPEEDOMETER	1	1	1		
10	44835-116-670	PLUG, SPEEDOMETER GEAR BOX	1	1	1		
11	45010-116-670	PANEL SUB COMP., FR.	1	1	1		
12	45120-001-010	SHOE COMP., FR. BRAKE	2	2	2		
13	45131-041-000	CAM, FR. BRAKE	1	1	1		
14	45133-028-000	SPRING, FR. BRAKE SHOE	2	2	2		
15	45134-121-000	SEAL, DUST	1	1	1		
16	45410-116-670	ARM COMP., FR. BRAKE	1	1	1		
17	45411-087-920	SPRING, FR. BRAKE ARM RETURN	1	1	1		
18	90305-051-000	NUT, FR. AXLE	1	1	1		
19	90548-121-000	WASHER, PLAIN, 12MM	1	1	1		
20	90755-229-000	OIL SEAL, 21X35X7	1	1	1		
21	91251-121-000	OIL SEAL, 47X60X7	1	1	1		
22	92000-06020	BOLT, HEX., 6X20	1	1	1		
23	94201-20150	PIN, SPLIT, 2.0X15	1	1	1		
24	94201-30290	PIN, SPLIT, 3.0X25	1	1	1		
25	96140-63010	BEARING, RADIAL BALL, 6301R	2	2	2		
26	97255-31137-10	SPOKE A, 11X148.5	16	16	16		
27	97491-31126-10	SPOKE A, 11X148	16	16	16		

F-6 Seat - Rear Fender

H 5

F-6 Seat - Rear fender



Ref. No.	Part No.	Description	Reqd. No.			Serial No.	Area code
			K1	K2	K3		
1	33603-053-650	COLLAR, RR, WINKER STAY	2	2	2		
2	77100-116-690	SEAT ASSY.	1	1	1		
3	77205-286-000	RUBBER B; SEAT SETTING	2	2	2		
4	80100-116-671QM	FENDER COMP., RR.	1				
	80100-116-671MA	FENDER, RR.	1				
	80100-116-710EC	FENDER COMP., RR.			1		
5	80101-116-670B	FENDER B; RR.	1	1	1		
6	80101-283-000	RUBBER, RR, FENDER CUSHION	2	2	2		
7	87505-116-670	MARK, FIRE CAUTION	1	1			
8	90525-030-000	WASHER B; HANDLE HOLDER SETTING	2	2	2		
9	92000-06020	BOLT, HEX., 6X20	2	2	2		

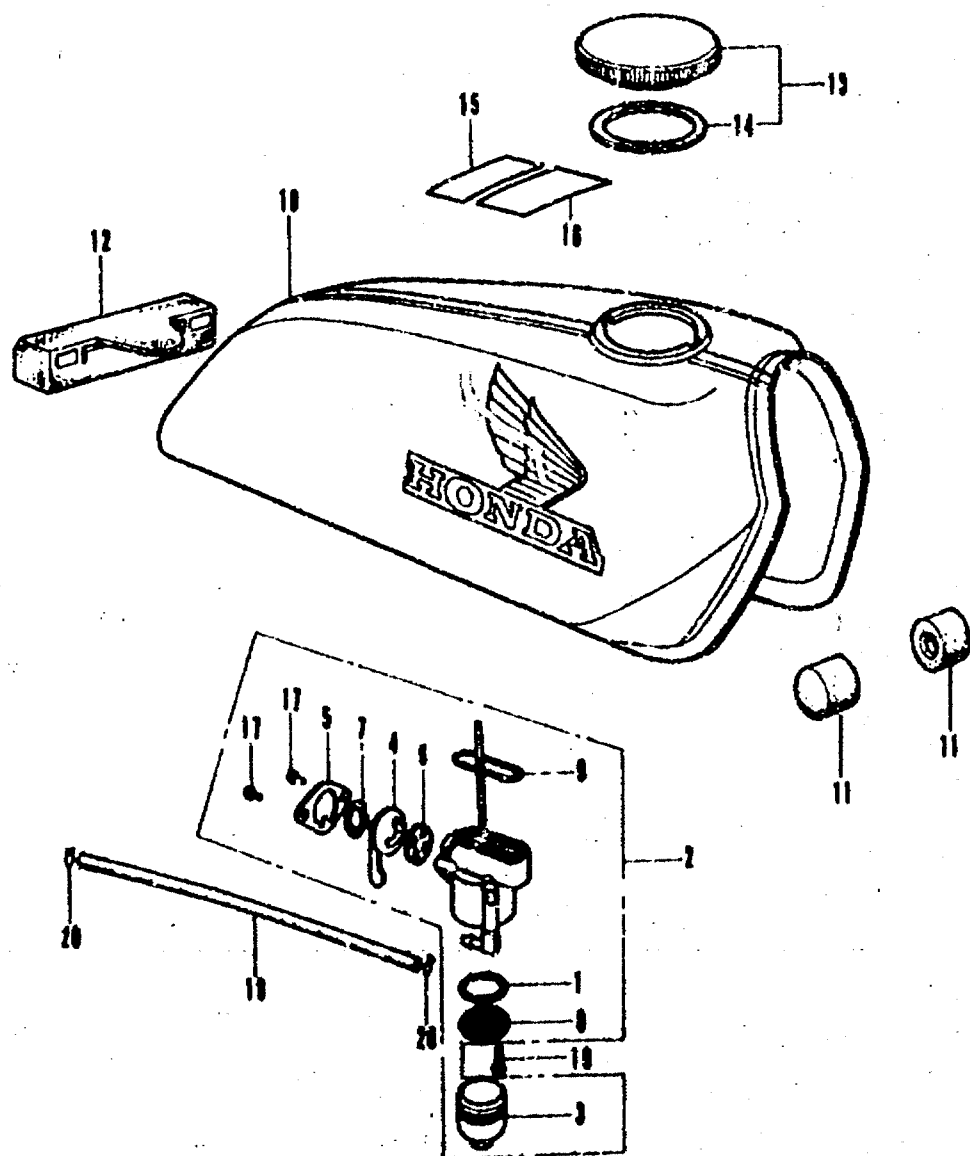
8116-10



F-7 Fuel Tank

H 6

F-7 Fuel Tank

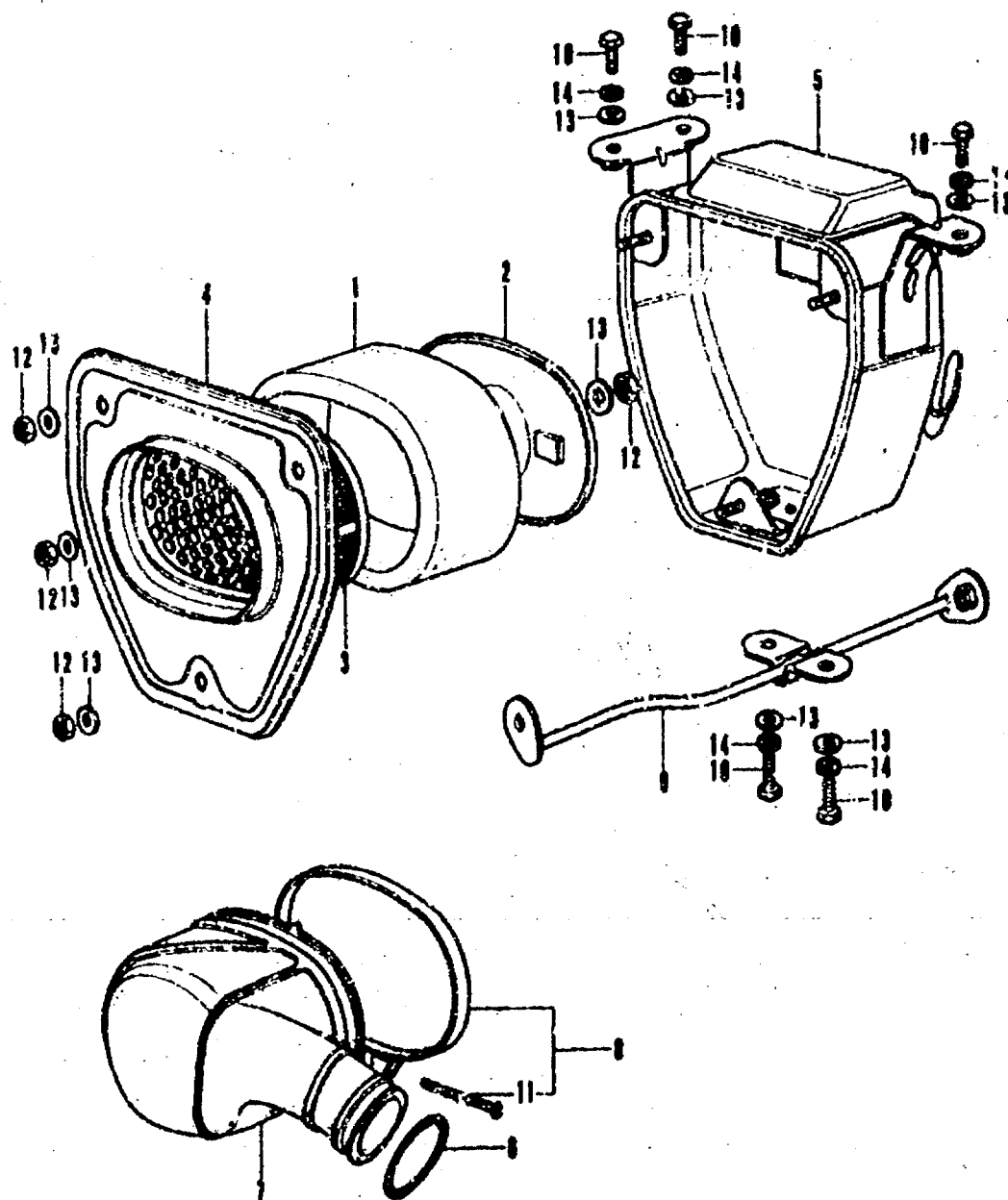


Ref. No.	Part No.	Description	Reqd. No.			Serial No.	Area code
			K1	K2	K3		
1	16173-001-004	PACKING; FUEL STRAINER CUP	1	1	1		
2	16950-115-171	COCK ASSY.; FUEL	1	1	1		
3	16952-028-000	CUP; FUEL STRAINER	1	1	1		
4	16953-011-000	LEVER; FUEL COCK	1	1	1		
5	16954-020-000	PLATE; COCK LEVER SETTING	1	1	1		
6	16955-028-004	GASKET; COCK LEVER (KEIHINI)	1	1	1		
7	16955-028-004	SPRING; COCK LEVER (KEIHINI)	1	1	1		
8	16957-028-000	SCREEN; FUEL STRAINER	1	1	1		
9	16997-273-006	O-RING; 23MM	1	1	1		
10	17500-116-6900N	TANK ASSY.; FUEL			1		
	17500-116-6900C	TANK ASSY.; FUEL			1		
	17500-116-7100C	TANK ASSY.; FUEL			1		
11	17611-303-000	PAD; FUEL TANK; FR.	2	2	2		
12	17613-051-010	CUSHION; FUEL TANK RR.	1	1	1		
13	17620-292-020	CAP; FUEL FILLER	1	1	1		
14	17631-259-000	GASKET; FUEL FILLER CAP	2	1	1		
15	87504-045-020B	LABEL A; CAUTION	1	1			
	87504-130-720B	LABEL; USE CAUTION			1		
16	87560-323-670B	MARK; DRIVE CAUTION	1	1	1		
17	93500-03006-0A	SCREW; PAN; 3X6	2	2	2		
18	93500-06016	SCREW; PAN; 6X16	1	1	1		
19	95001-45240-40	TUBE; FUEL; 4.5X240	1	1	1		
20	95002-02080	CLIP; TUBE; 80	2	2	2		

F-8 Air Cleaner

H 7

F-8 Air Cleaner



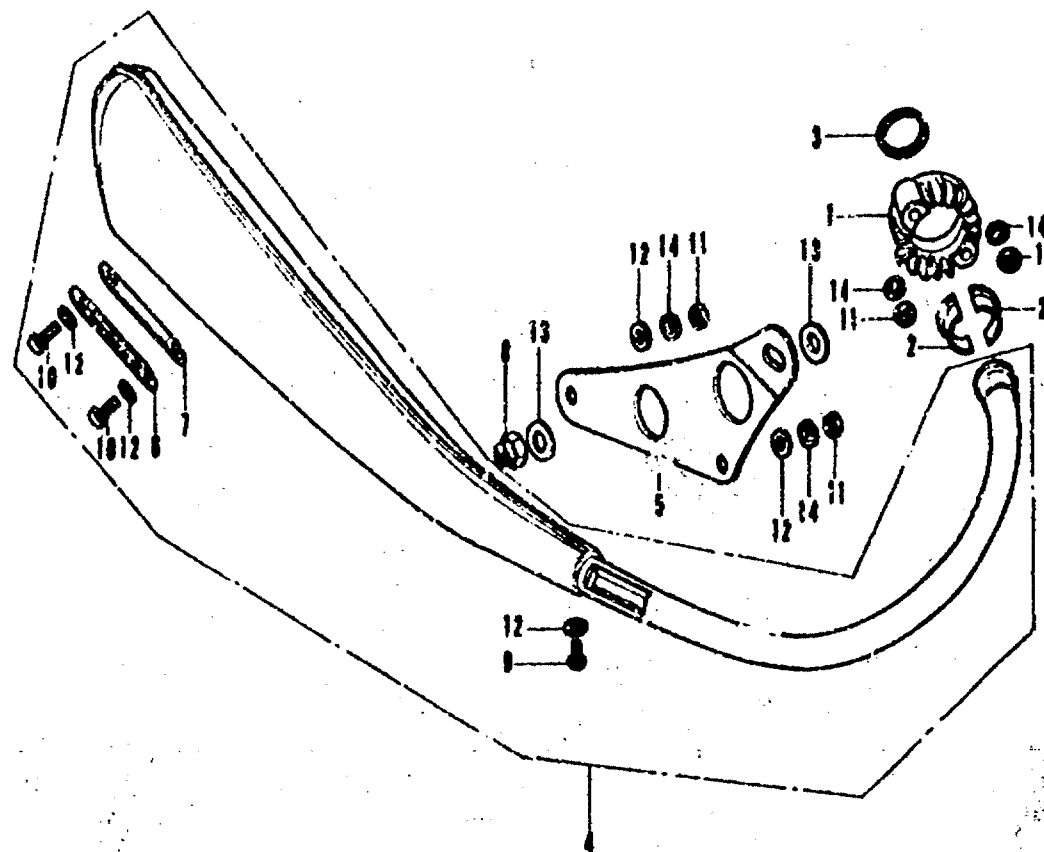
Ref. No.	Part No.	Description	Reqd. No.			Serial No.	Area code
			XR75 K1	K2	K3		
1	17211-107-020	ELEMENT, AIR CLEANER	1	1	1		
2	17212-107-780	GAP, AIR CLEANER ELEMENT	1	1	1		
3	17214-107-780	TRAP COMP., FRAME	1	1	1		
4	17220-116-6708	COVER, AIR CLEANER CASE	1	1	1		
5	17230-116-6718	CASE COMP., AIR CLEANER	1	1	1		
6	17231-051-000	BAND A, AIR CLEANER IN. PIPE	1	1	1		
7	17253-116-570	TUBE, AIR CLEANER CONNECTING	1	1	1		
8	17255-107-000	BAND, CLEANER CONNECTING TUBE	1	1	1		
9	50156-116-6708	STAY, SIDE NUMBER	1	1	1		
10	92000-06012	BOLT, HEX., 6X12	5	5	5		
11	93500-04025-0A	SCREW, PAN, 4X25	1	1	1		
12	74001-06000	NUT, HEX., 6MM	4	4	4		
13	94101-06000	WASHER, PLAIN, 6MM	9	9	9		
14	94111-06000	WASHER, SPRING, 6MM	5	5	5		

6110-21

F-9 Exhaust Muffler

H 8

F-9 Exhaust Muffler



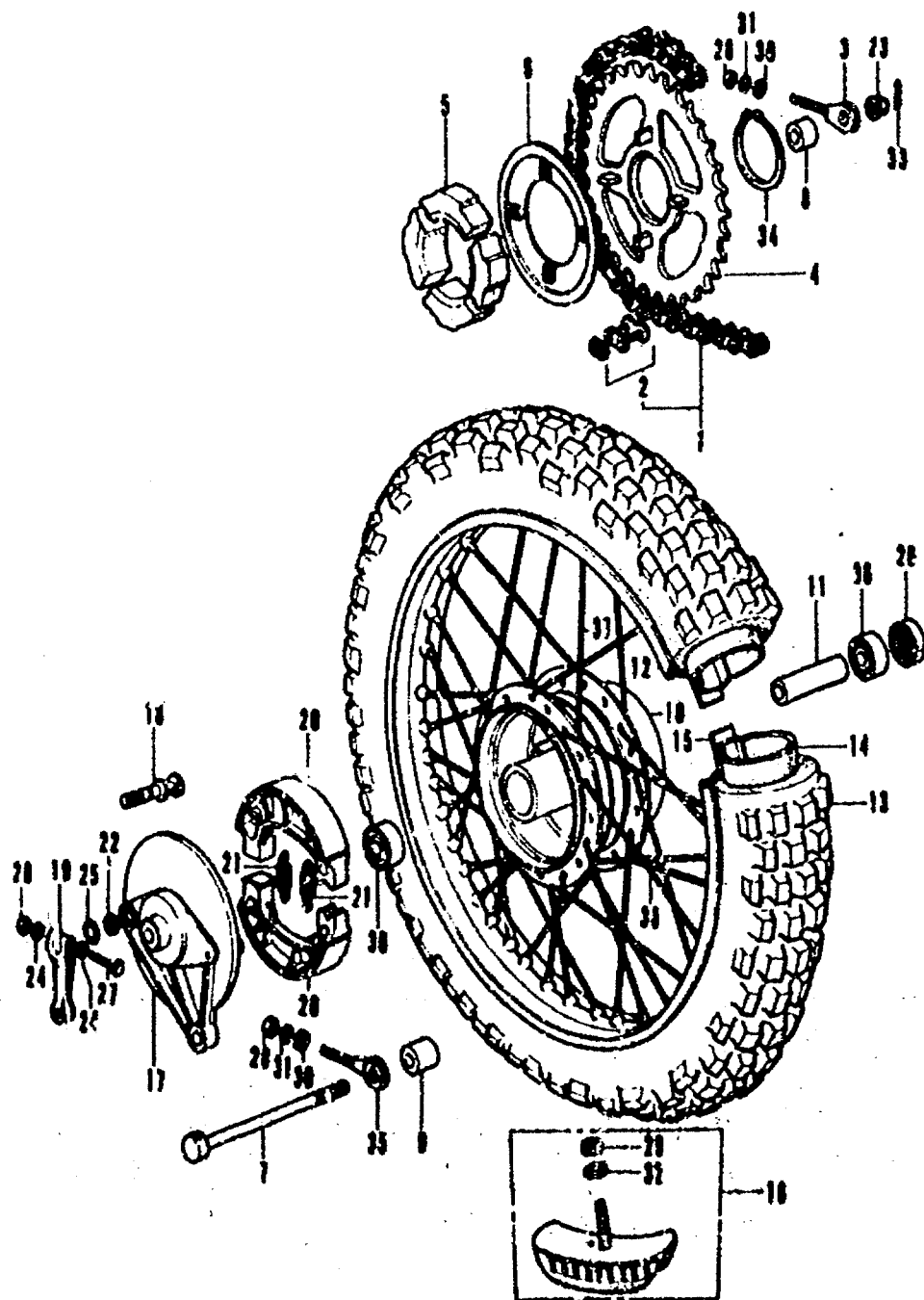
Ref. No.	Part No.	Description	Recd. No.			Serial No.	Area code
			K1	K2	K3		
1	18231-115-010	JOINT; EX. PIPE	1	1	1		
2	18233-115-010	COLLAR; EX. PIPE JOINT	2	2	2		
3	18291-115-000	GASKET; EX. PIPE	1	1	1		
4	18300-116-672CT 18300-116-672SH	MUFFLER COMP.; EX.					
	18300-116-672SH	MUFFLER; EX.		1	1		
5	18340-116-670CT	STAY; MUFFLER HANGER	1	1	1		
6	18373-310-000	LID; MUFFLER	1	1	1		
7	18374-310-000	GASKET; MUFFLER LID	1	1	1		
8	90351-268-000	NUT; SELF LOCK; 10MM	1	1	1		
9	93500-0606B-49	SCREW; PAN; 6X8	1	1	1		
10	93500-06012-49	SCREW; PAN; 6X12	2	2	2		
11	94001-06000	MUF; HEX.; 6MM	4	4	4		
12	94101-06000	WASHER; PLAIN; 6MM	5	5	5		
13	94101-10000	WASHER; PLAIN; 10MM	2	2	2		
14	94111-06000	WASHER; SPRING; 6MM	4	4	4		

8116-22

F-10 Rear Wheel



F-10 Rear Wheel



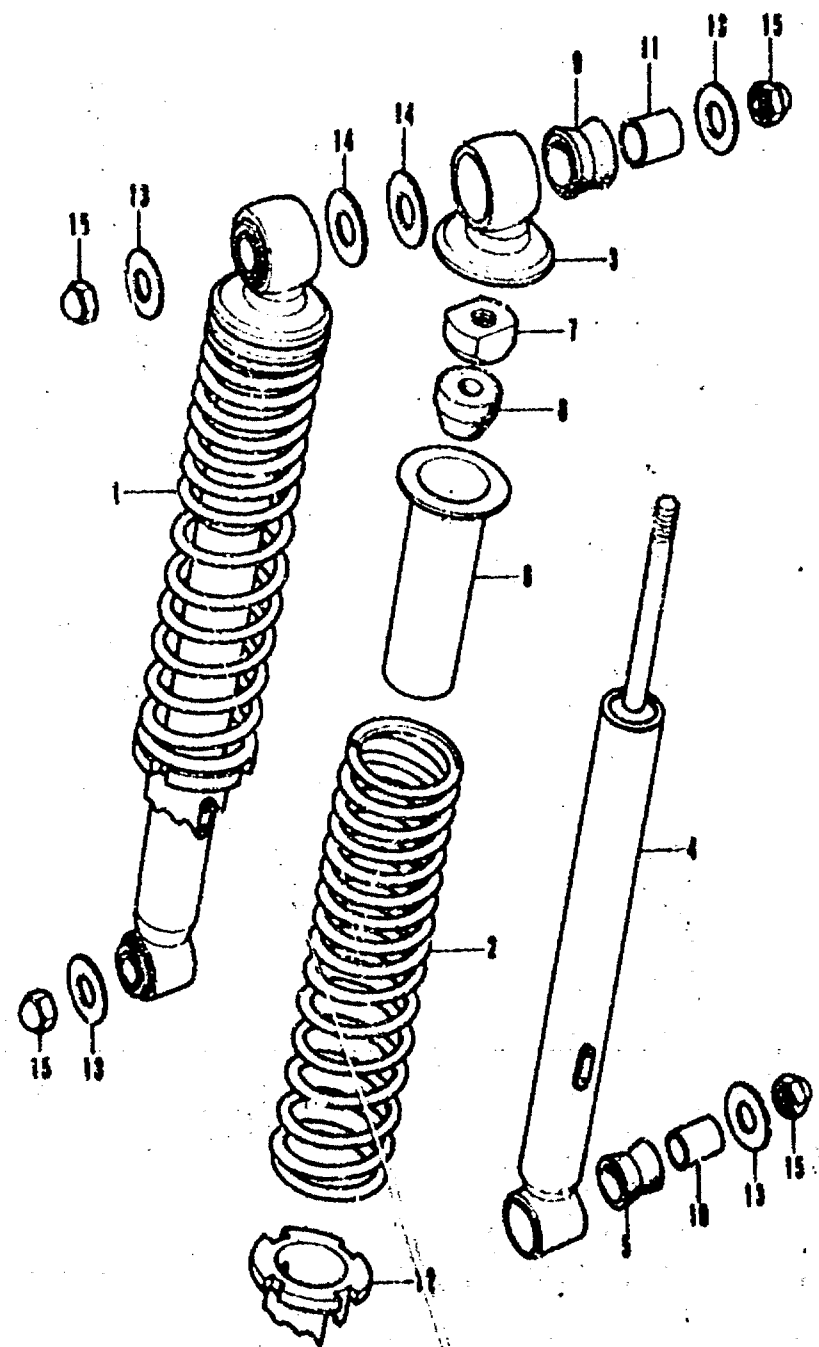
Ref. No.	Part No.	Description	Reqd. No.			Serial No.	Area code
			X	Y	Z		
1	40530-116-671	CHAIN, DRIVE	1	1	1		
2	40931-098-003	JOINT, DRIVE CHAIN (0A100)	1	1	1		
3	40544-061-000	ADJUSTER, L. DRIVE CHAIN	1	1	1		
4	41201-118-000	SPROCKET, FINAL DRIVEN (44T)	1	1	1		
5	41241-051-000	DAMPER, RR. WHEEL	4	4	4		
6	41245-051-000	COVER, RR. WHEEL CAMPER	1	1	1		
7	42301-051-020	AXLE, RR. WHEEL	1	1	1		
8	42304-098-000	COLLAR, RP. WHEEL SID	1	1	1		
9	42313-051-000	COLLAR, RR. BRAKE PAVL SIDE	1	1	1		
10	42601-115-000	HUB COMP., RR. WHEEL	1	1	1		
11	42620-051-000	COLLAR, RR. AXLE DISTANCE	1	1	1		
12	42701-116-671	RIM, RR. WHEEL	1	1	1		
13	42711-116-672	TIRE, RR. WHEEL (13.00-14)	1	1	1		
14	42712-116-672	TUBE, RR. WHEEL	1	1	1		
15	42713-116-671	FLAP, RR. TUBE	1	1	1		
16	42715-116-671	STOPPER, RR. WHEEL TIRE BEAD 1.60A	1	1	1		
17	43100-115-000	PANEL COMP., RR. BRAKE	1	1	1		
18	43141-107-010	CAM, RR. BRAKE	1	1	1		
19	43410-041-020	ARM, RR. BRAKE	1	1	1		
20	45120-001-010	SHOE COMP., FR. BRAKE	2	2	2		
21	45133-028-000	SPRING, FR. BRAKE SHOE	2	2	2		
22	45134-250-000	SEAL, BRAKE CAM OAST	1	1	1		
23	90303-051-000	NUT, RR. AXLE	1	1	1		
24	90525-001-000	WASHER, RR. BRAKE ARM	2	2	2		
25	90549-121-000	WASHER, PLAIN, 14MM	1	1	1		
26	90793-051-000	OIL SEAL, 26X37X6	1	1	1		
27	92003-06036	BOLT, HEX., 6X36	1	1	1		
28	94001-06000	NUT, HEX., 6MM	3	3	3		
29	94001-08020-05	NUT, HEX., 8MM	1	1	1		
30	94101-06000	WASHER, PLAIN, 6MM	2	2	2		
31	94111-06000	WASHER, SPRING, 6MM	2	2	2		
32	94111-08000	WASHER, SPRING, 8MM	1	1	1		
33	94201-30250	PIN, SPLIT, 3.0X25	1	1	1		
34	94511-50000	CIN. CLIP, EXTERNAL, 50MM	1	1	1		
35	95014-10100	ADJUSTER A, RIGHT CHAIN	1	1	1		
36	96140-63010	BEARING, RADIAL BALL, 6301R	2	2	2		
37	97283-42089-10	SPOKE S, 10X124.5	10	10	10		
38	97600-42088-10	SPOKE B, 10X124	10	10	10		

0116-23

F-11 Rear Cushion



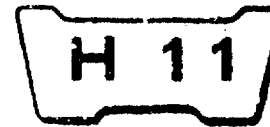
F-11 Rear Cushion



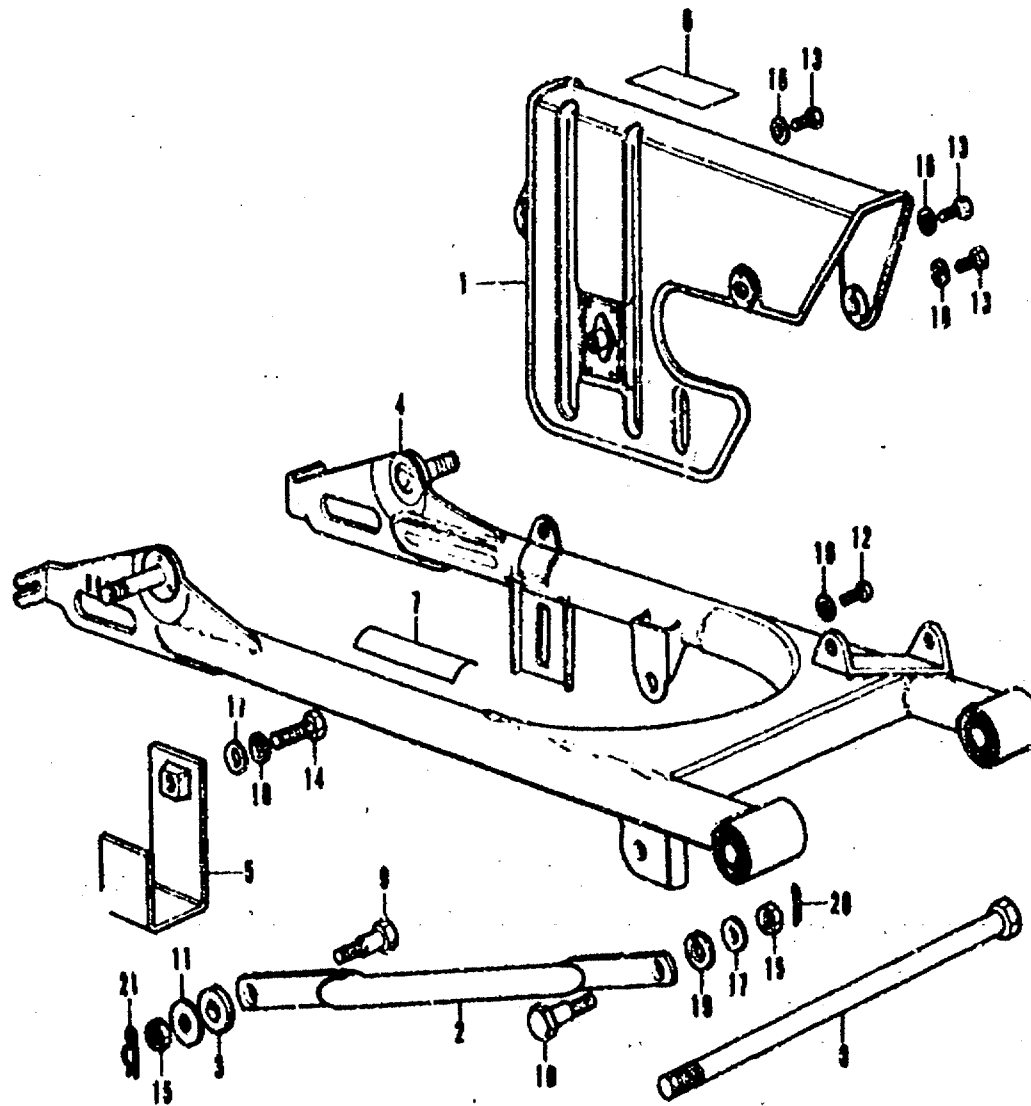
8116-24

Ref. No.	Part No.	Description	Reqd. No.			Serial No.	Area code
			K1	K2	K3		
1	52400-116-671	CUSHION, RR.	2				
	52400-116-672	CUSHION ASSY., RR.	2	2			
2	52407-118-771	SPRING, RR. CUSHION	2				
	52407-116-690	SPRING, RR. CUSHION 52407-116-591	2				
	52407-116-691	SPRING, RR.	2	2			
3	52410-303-020	METAL, RR. CUSHION UPPER	2	2	2		
4	52450-118-771	DAMPER COMP., RR.	2	2	2		
5	52476-001-020	BUSH, RR. CUSHION RUBBER	2	2	2		
6	52476-118-770	GUIDE, RR. CUSHION SPRING	2	2	2		
7	52482-028-030	NUT, RR. CUSHION LOCKING	2	2	2		
8	52483-107-003	RUBBER, RR. CUSHION STOPPER	2	2	2		
9	52485-118-000	BUSH, RR. CUSHION	2	2	2		
10	52486-001-000	COLLAR, RR. CUSHION RUBBER BUSH	2	2	2		
11	52488-001-000	COLLAR, RR. CUSHION UPPER RUBBER BUSH	2	2	2		
12	52490-116-671	ADJUSTER, RR. CUSHION SPRING	2	2	2		
13	90527-230-000	WASHER, PLAIN, 10.3MM	4	4	4		
14	90551-011-010	WASHER, 12MM	2	2	2		
15	94021-10000-05	NUT, CAP, 10MM	4	4	4		

F-12 Rear Fork - Chain Case



F-12 Rear Fork - Chain Case



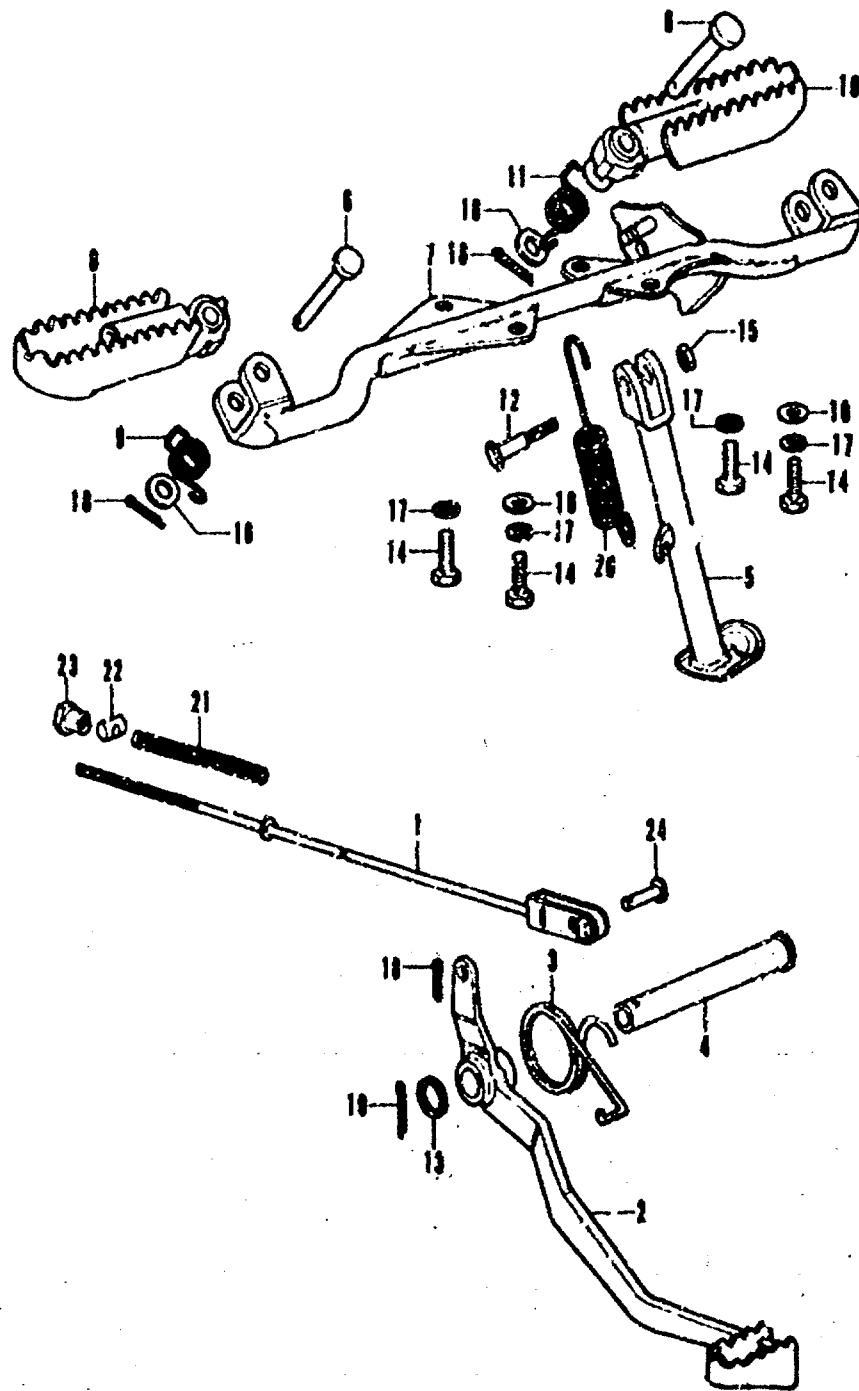
Ref. No.	Part No.	Description	Reqd. No.			Serial No.	Area code
			K1	K2	K3		
1	40510-116-671B	CASE, DRIVE CHAIN	1	1	1		
2	43432-116-671	ARM, RR. BRAKE STOPPER	1	1	1		
3	43434-286-000	RUBBER, STOPPER ARM CUSHION	1	1	1		
4	52100-116-671B	FORK COMP., RR.	1	1	1		
5	52156-074-000	GUARD, CHAIN	1	1	1		
6	87505-116-710	MARK, TIRE CAUTION				1	
7	87506-045-000	LABFL C, CAUTION	1	1			
	87504-028-670	MARK, MUFFLER CAUTION				1	
8	90121-116-670	BOLT, RR. FORK PIVOT	1	1	1		
9	90127-001-010	BOLT, RR. BRAKE TORQUE	1	1	1		
10	90133-331-770	BOLT, RR. BRAKE STOPPER ARM	1	1	1		
11	90524-030-000	WASHER A, HANDLE HOLE OF SETTING	1	1	1		
12	92000-06008	BOLT, HEX., 6X8	1	1	1		
13	92000-06012	BOLT, HEX., 6X12	3	3	3		
14	92000-08016-0A	BOLT, HEX., 8X16	1	1	1		
15	94001-08000-0S	NUT, HEX., 8MM	2	2	2		
16	94101-06000	WASHER, PLAIN, 6MM	4	4	4		
17	94101-08000	WASHER, PLAIN, 8MM	2	2	2		
18	94111-08000	WASHER, SPRING, 8MM	1	1	1		
19	94111-10000	WASHER, SPRING, 10MM	1	1	1		
20	94201-20150	PIN, SPLIT, 2.0X15	1	1	1		
21	94251-08000	PIN, LOCK, 8MM	1	1	1		

B116-25

F-13 Brake Pedal - Side Stand

H 12

F-13 Brake Pedal - Side Stand

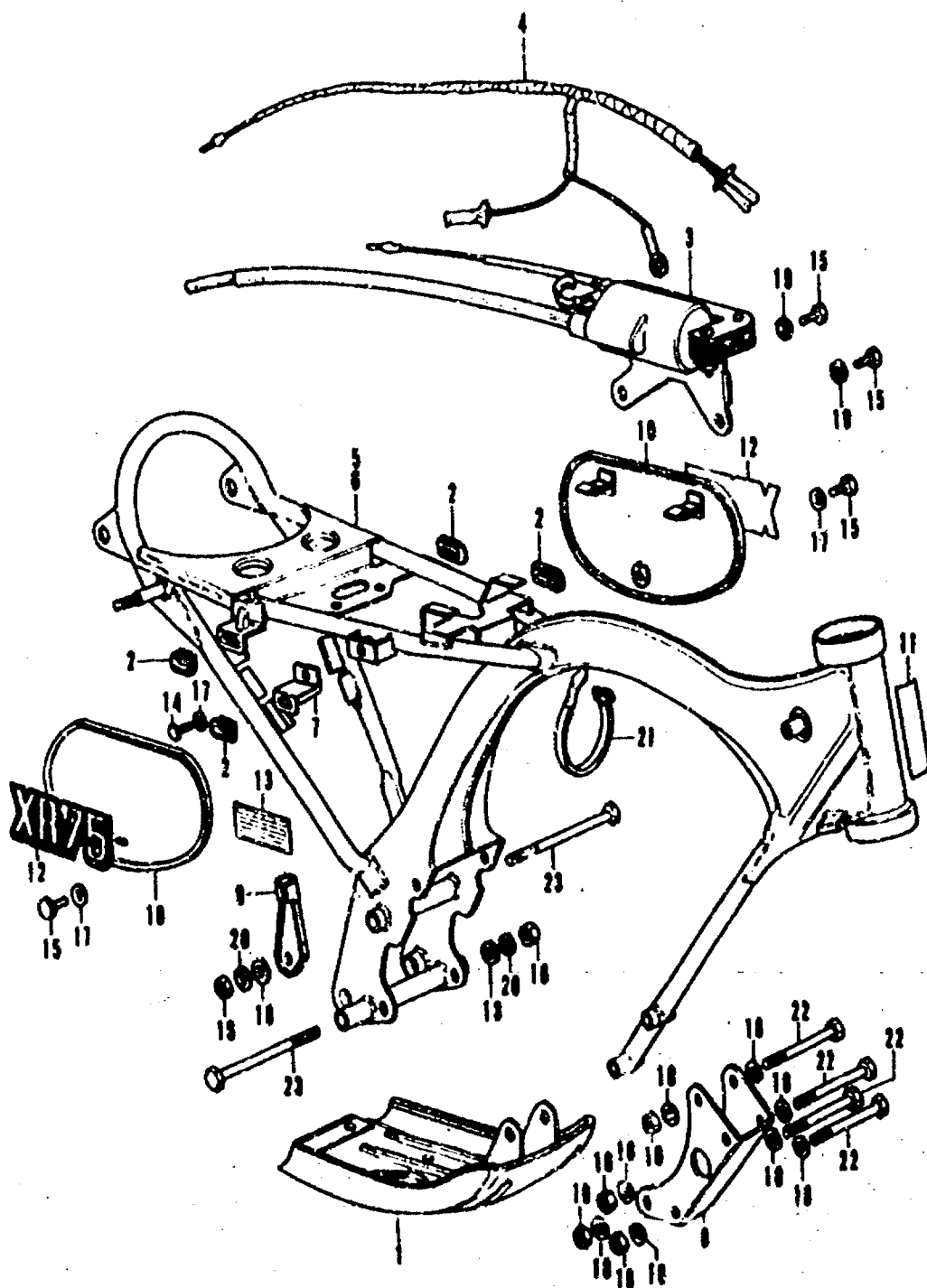


Ref. No.	Part No.	Description	Reqd. No.			Serial No.	Area code
			X <sup>275</sup>	K1	K2		
1	43431-116-672	ROD, RR. BRAKE	1	1	1		
2	46500-116-672	PEDAL, BRAKE	1	1	1		
3	46514-116-670	SPRING, BRAKE PEDAL	1	1	1		
4	50526-115-020	PIPE, MAIN STAND PIVOT	1	1	1		
5	50530-116-670B	BAR COMP., SIDE STAND	1	1	1		
6	50603-033-000	PIN, STEP BAR JOINT	2	2	2		
7	50610-116-671B	BAR COMP., STEP	1	1	1		
8	50616-110-790	ARM COMP., R. STEP	1	1	1		
9	50617-283-000	SPRING, R. STEP RETURN	1	1	1		
10	50642-110-790	ARM COMP., L. STEP	1	1	1		
11	50644-283-000	SPRING, L. STEP RETURN	1	1	1		
12	90108-223-000	SCREW, SIDE STAND PIVOT	1	1	1		
13	90521-0.8-000	WASHER, 17X22	1	1	1		
14	92000-08'20-0A	BOLT, HEX., 8X20	4	4	4		
15	94002-1C000-0S	NUT, HEX., 10MM	1	1	1		
16	94101-08000	WASHER, PLAIN, 8MM	4	4	4		
17	94111-0J000	WASHER, SPRING, 8MM	4	4	4		
18	94201-16150	PIN, SPLIT, 1.6X15	3	3	3		
19	94201-30250	PIN, SPLIT, 3.0X25	1	1	1		
20	95014-72101	SPRING A, SIDE STAND	1	1	1		
21	95014-73100	SPRING A, BRAKE ROD	1	1	1		
22	95015-31000	JOINT A, BRAKE ARM	1	1	1		
23	95015-41000	NUT A, ADJUSTING	1	1	1		
24	95015-52000	PIN B, JOINT	1	1	1		

F-14 Frame Body

H 13

F-14 Frame Body



Ref. No.	Part No.	Description	Reqd. No.			Serial No.	Area code
			X1175	K1	K2		
1	11911-116-6708	PROTECTOR, CRANKCASE	1	1	1		
2	17247-292-010	GROMMET A, AIR CLEANER CASE	4	4	4		
3	30500-115-013	COIL ASSY., A.C. IGNITION (10Y0)	1	1	1		
4	32100-116-670	HARNESS, WIRE	1	1	1		
5	50100-116-6728	BODY COMP., FRAME	1	1			A
	50100-116-7108	BODY COMP., FRAME			1		A
6	50100-116-7008	BODY COMP., FRAME	1	1			CH
	50100-116-7108	BODY COMP., FRAME			1		CH
7	50192-116-6708	STAY R, R. HAND NUMBER SETTING	1	1	1		
8	50351-116-6728	PLATE, FR. ENGINE HANGER	1	1	1		
9	50356-115-000	RECEIVER, CLUTCH CABLE	1	1	1		
10	83510-116-6708	PLATE, SIDE NUMBER			2		
	83510-116-6700N	PLATE, SIDE NUMBER			2		
11	87125-041-680	PLATE, NAME	1	1			A
12	87128-116-690	MARK, SIDE NUMBER PLATE	2				
	87128-116-691	MARK, SIDE NUMBER PLATE		2	2		
13	87508-120-000	LABEL, AIR CLEANER CAUTION	1	1	1		
14	92000-06010	BOLT, HEX., 6X10	1	1	1		
15	92000-06012	BOLT, HEX., 6X12	4	4	4		
16	94030-08000	NUT, HEX., 8MM	6	6	6		
17	94101-06000	WASHER, PLAIN, 6MM	3	3	3		
18	94101-08000	WASHER, PLAIN, 8MM	10	10	10		
19	94111-06000	WASHER, SPRING, 6MM	2	2	2		
20	94111-08000	WASHER, SPRING, 8MM	2	2	2		
21	95014-61300	BAND A3, WIRE	1	1	1		
22	95300-08060	BOLT, HEX., 8X60	4	4	4		
23	95300-08100	BOLT, HEX., 8X100	2	2	2		

8116-27

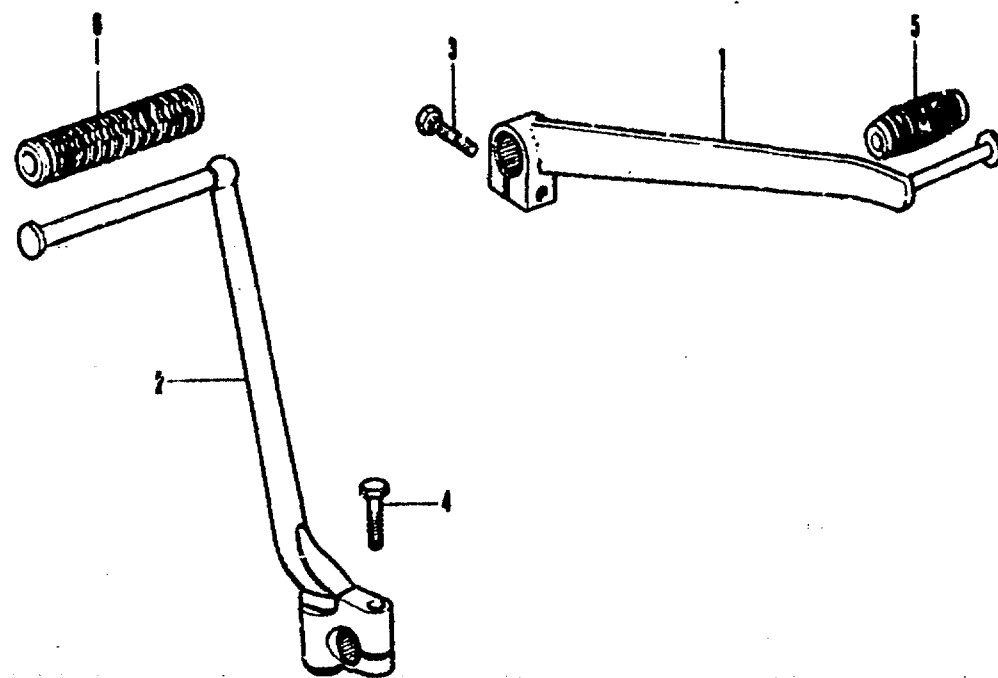


F-15 Change Pedal - Kick Arm

H 14

F-15 Change Pedal - Kick Arm

Ref. No.	Part No.	Description	Req. No.			Serial No.	Area code
			K1	K2	K3		
1	24700-107-700	PEDAL COMP.; GEAR CHANGE	1	1	1		
2	28300-116-672	ARM ASSY.; KICK STARTER	1	1	1		
3	92000-06020	BOLT; HEX.; 6X20	1	1	1		
4	92000-06030	BOLT; HEX.; 6X30	1	1	1		
5	95011-40000	RUBBER; GEAR CHANGE PEDAL	1	1	1		
6	95011-51000	RUBBER A; KICK STARTER	1	1	1		



J 1

XR 75K 4

XR 75K 5

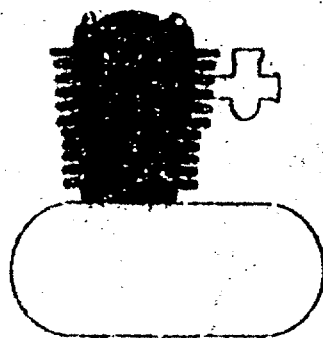


J 2

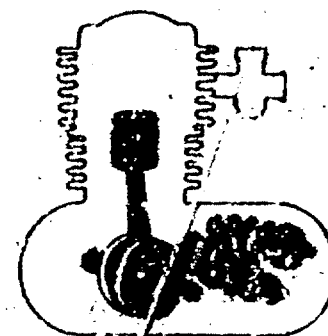
# CONTENTS - ENGINE GROUP

## CONTENTS

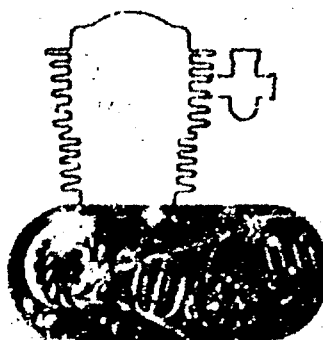
	ADDRESS NO.
● Contents-Engine group .....	J 2
● Contents-Frame group .....	J 3
● Instruction for use of parts list .....	J 4
● How to use the flat rate time (F.R.T.) .....	J 7
● Model photograph .....	J 8
● Engine group .....	K 1
● Frame group .....	L 2
● Part No. index .....	J 11



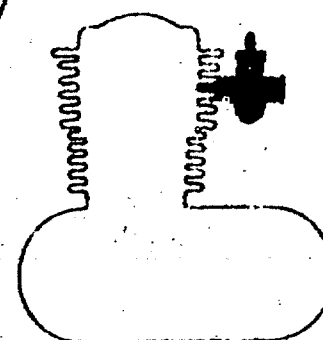
E- 1	Cylinder head - Cylinder .....	K 1
E- 2	Camshaft - Valve .....	K 3
E- 3	Cam chain - Tensioner .....	K 4



E- 9	Crankshaft - Piston .....	K 10
E-10	Transmission .....	K 13
E-11	Shift fork - Shift drum - Kick spindle .....	K 15

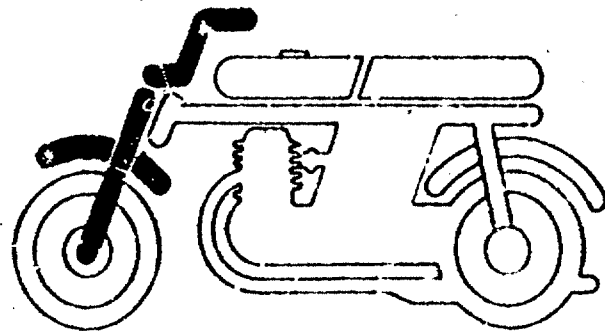


E- 4	Right crankcase cover .....	K 5
E- 5	Clutch .....	K 6
E- 6	Oil pump .....	K 7
E- 7	Left crankcase cover - Generator .....	K 8
E- 8	Crankcase .....	K 9

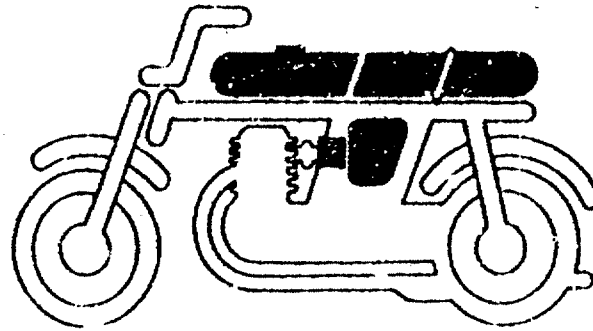


E-12	Carburetor .....	L 1
------	------------------	-----

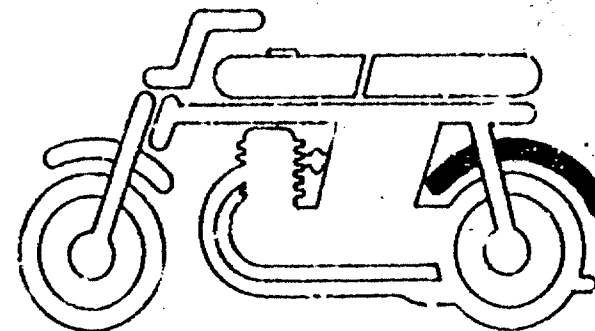
## CONTENTS - FRAME GROUP



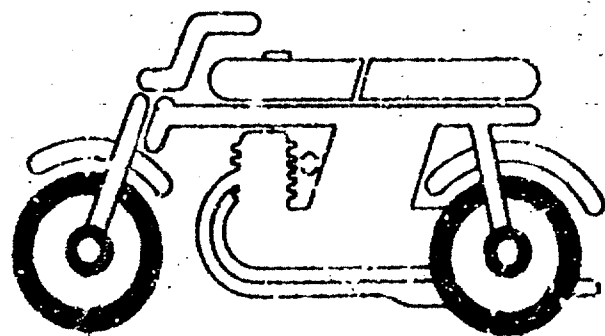
F- 1	Handle lever - Cable - Switch .....	L 2
F- 2	Handle pipe - Top bridge - Stem .....	L 4
F- 3	Front fender - Number plate .....	L 5
F- 4	Front fork .....	L 6



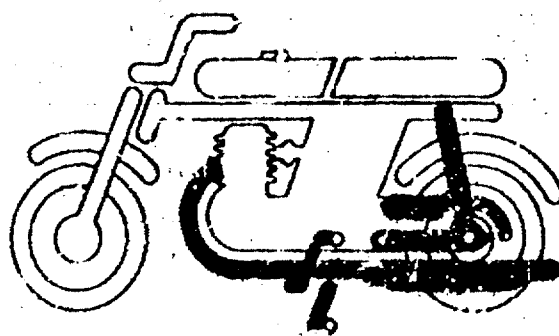
F- 9	Fuel tank - Seat .....	L 13
F-10	Air cleaner - Side cover .....	L 14



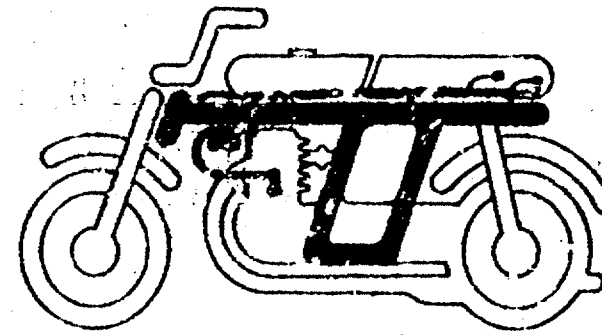
F-15	Rear fender .....	M 4
------	-------------------	-----



F- 5	Front brake panel .....	L 8
F- 6	Front wheel .....	L 9
F- 7	Rear brake panel .....	L 10
F- 8	Rear wheel .....	L 11



F-11	Exhaust muffler .....	L 15
F-12	Pedal - Kick arm - Stand - Step .....	L 16
F-13	Rear fork - Drive chain .....	M 2
F-14	Rear axle .....	M 3



F-10	Frame body - Ignition coil .....	M 5
------	----------------------------------	-----



## INSTRUCTION FOR USE OF PARTS LIST

This parts list is to be used when ordering replacement parts; it contains all parts for models XR75K4 and XR75K5.

### I. How to order parts

#### 1. Information required

Replacement parts orders must contain both the part number and the stamped number(s) as described below. This is because any changes and modifications of parts are registered at HONDA with the pertinent parts and stamped numbers.

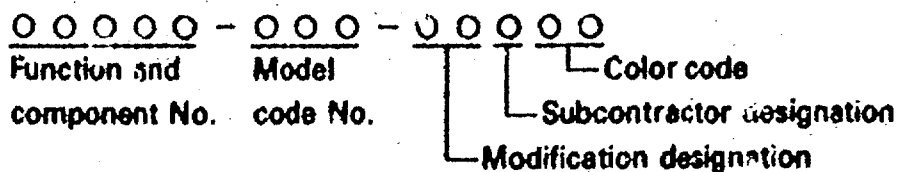
#### Numbers needed:

- (a) Carburetor parts: Part number and  
Stamped carburetor identification number
- (b) Other parts: Part number and  
Stamped frame number

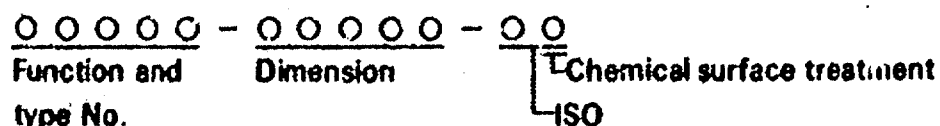
### II. How to read this parts list

#### 1. Make-up of the part number

(Example) General parts



(Example) Bolts, nuts and other standard parts



#### 2. Color code

The color code at the end of the part number indicates the color. Codes below ZA in alphabetical order (such as ZA, ZB, ZC, etc.) do not indicate the color directly, but reference must be made to the HONDA code given in the "Description" column of this parts list.

Color code		Color description
Parts code	HONDA code	
B	NH-1	Black
CT		Off black
WF	NH-24	Ceramic white
	A-01	Semi glazed black
	NH-35M	Cloud silver metallic
	R-23	Tahitian red



### 3. Abbreviations

The following abbreviations are used in this parts list.

ASSY. .... Assembly	KPH ..... Kilometers per hour
COMP. .... Complete	MPH ..... Miles per hour
R. .... Right	L (100L) ..... Link (100Links)
L. .... Left	A.C. .... Alternating current
STD. .... Standard	D.C. .... Direct current
MM ..... Millimeter	IN. .... Inlet
G ..... Gram	EX. .... Exhaust
T (22T) ..... Tooth (22Teeth)	FR. .... Front
A ..... Ampere	RR. .... Rear
V ..... Volt	HEX. .... Hexagonal
W ..... Watt	

### 4. Dimensions

All dimensions are given in millimeters (mm) except in the case of steel balls, tires and tire tubes.

Parts	Example	Interpretation
Bolt (Screw)	6x12	6mm diameter, 12mm length
Pin	8x14	8mm diameter, 14mm length
O-Ring	9.5x1.6	9.5mm diameter, 1.6mm thickness
Oil seal	14x24x5	14mm inside diameter, 24mm outside diameter, 5mm thickness
Tube	5x130	5mm inside diameter, 130mm length

### 5. Supersedence of parts

Part numbers given under the part name in the "Description" column indicate that the part number has been superseded by that part number. HONDA may make such supersedence without notice.

### 6. Assemblies

Sections framed with broken lines in the exploded view drawings are available as complete assemblies. (Their individual parts can also be obtained.)

### 7. Required quantity

The number given in the "Reqd. No." column indicates the quantity of parts used in the section described in that block.

Parts with quantities in ( ) represent optional parts.

Part whose required number is "N", is part whose required number can be selected at need.

### 8. Part modifications and applicable serial numbers

In cases where a part has been modified, the serial number of the first vehicle (or frame, carburetor) bearing the modification is listed in the "Serial No." column.

### 9. Models, area codes and applicable serial numbers

Models, area codes and applicable serial Nos. given in this parts list can be identified as follows.

Parts with area codes are exclusive for models destined for countries designated.

If no area codes are listed, parts are for common use.

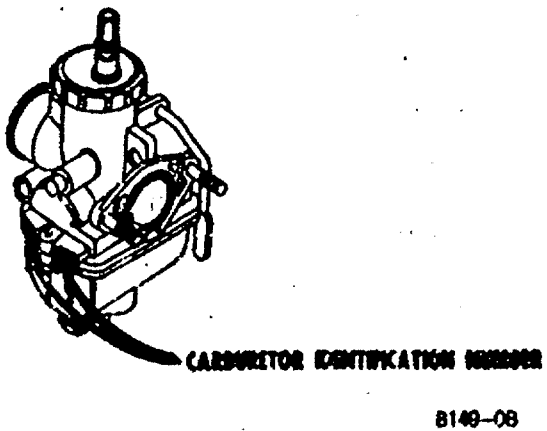
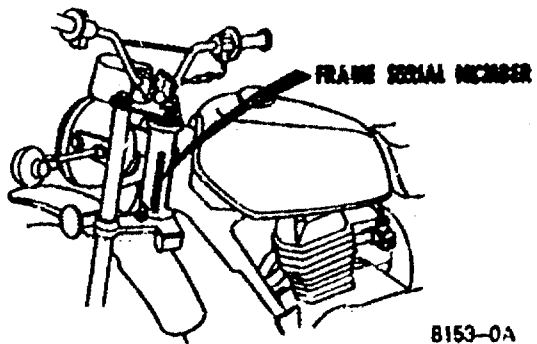
Model	Area code	Type	Applicable frame serial No.	Applicable carburetor identification No.
XR75K4	A	U.S.A.	XR75-1400013~1432022	PC10 A <u>A</u>
	CM	Canada	XR75-1412013~1430942	
XR75K5	A	U.S.A.	XR75-1500003~1544292	PC10 A <u>A</u>
	CM	Canada	XR75-1510783~1545324	

\*Of carburetor identification numbers, only the portions underlined in the example below are used for registration.

PC10A A KC 7

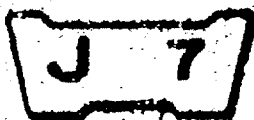
**J 6**

**10. Location of stamped serial number**



**11. This parts list is compiled as of September 20, 1978 and published as the final edition.**

May 20, 1978  
HONDA MOTOR CO., LTD.



## HOW TO USE THE FLAT RATE TIME (F.R.T.)

This F.R.T. (Flat Rate Time) is used to determine the standard labor time allowed for replacement of parts covered by the warranty during the period the warranty is in effect. The F.R.T. for those parts which are not listed herein should be determined from the operation closely related to the replacement of that part.

### 1. The F.R.T. is based on the following servicing conditions

- A liberal allowance is added to the net servicing time.
- Standard times specified are based on the condition that the necessary servicing tools listed in the service manual (motorcycle) which describes the HONDA service policy are available close at hand and the work performed by a mechanic with normal skill.
- Time required for inspection and operational test following the servicing is included in the F.R.T.

### 2. Method of computing

The job times are listed in tenth of an hour to simplify computation.

- (Example) 0.3 = 18 minutes  
5.6 = 5 hours and 36 minutes

CONVERSION CHART			
Hours	Minutes	Hours	Minutes
0.1	6	0.6	36
0.2	12	0.7	42
0.3	18	0.8	48
0.4	24	0.9	54
0.5	30	1.0	60

### 3. Computing the F.R.T.

When several jobs are performed at the same time, make the calculation in the following manner.

#### a. Jobs of non duplicated nature

The F.R.T. for the job is obtained by totalling the F.R.T. for each part replaced.

(Example) Replacement of cylinder and clutch spring.

Service item	F.R.T.
Cylinder comp.	☆2.2
Clutch spring	0.6

The F.R.T. for the job is :  $2.2 + 0.6 = 2.8$

#### b. Jobs of duplicated nature

Take the F.R.T. for the last part to be replaced.

(Example) Replacement of piston and cylinder head gasket.

Service item	F.R.T.
Cylinder head gasket	☆2.0
Piston	☆2.3

The F.R.T. for the job is : 2.3

#### c. Jobs of partially related nature

Total up the F.R.T. for all of the parts replaced and then subtract the F.R.T. for the duplicated operation.

(Example) Replacement of gear shift drum and crankshaft assembly.

Service item	F.R.T.
Gear shift drum	☆3.3
Crankshaft comp.	☆3.4
Crankcase disassembly	☆3.0

The F.R.T. for the job is :  $(3.3 + 3.4) - 3.0 = 3.7$

Crankcase disassembly is the duplicated operations.

● The F.R.T. shown with (☆) includes engine removal and installation.





#### 4. Operations other than replacing parts.

##### a. Removal and installation

No.	Service Item	F.R.T.
1	Engine	1.5
2	Cylinder head	☆2.0
3	Carburetor	0.3

##### b. Adjustment, measurement and cleaning

###### Engine

No.	Service Item	F.R.T.
1	Point-adjustment (including ignition timing adjustment)	0.3
2	Ignition timing-adjustment	0.2
3	Spark plug-adjustment and cleaning	0.1
4	Tappet adjustment	0.3
5	Carburetor idle-adjustment	0.1
6	Engine oil-inspection (excluding oil change)	0.1
7	Clutch-adjustment	0.2
8	Cleaner element-cleaning	0.2
9	Compression-pressure measurement	0.1
10	Carburetor-float level measurement	0.4
11	Oil filter screen cleaning	0.5

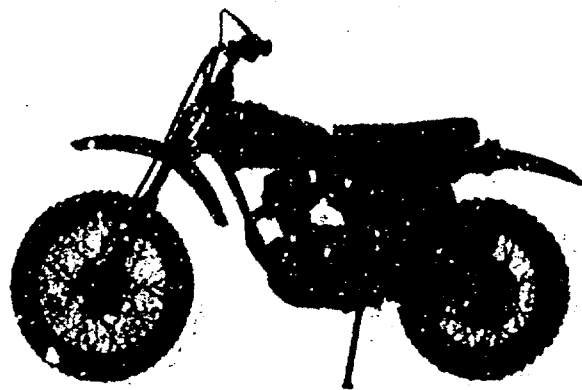
##### Frame

No.	Service Item	F.R.T.
1	Brake-adjustment (front)	0.1
2	Brake-adjustment (rear)	0.1
3	Brake-operation test	0.1
4	Drive chain (includes tension adjustment however, does not include sprocket)	0.1

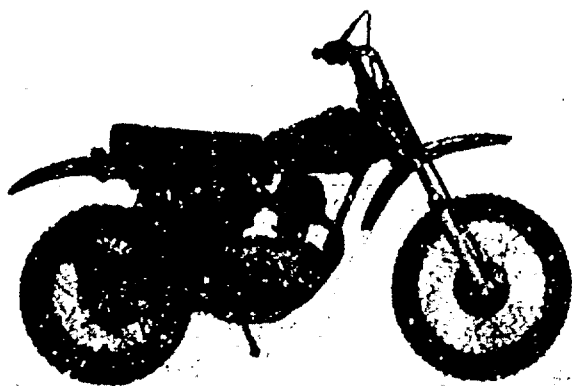
##### c. Overhaul

No.	Service Item	F.R.T.
1	Carburetor	0.6

J 9



XR75K4-A

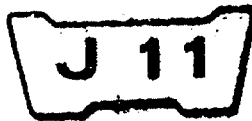


XR75K5-A

J 10

CROSS-REFERENCE TABLE

BLOCK NO.	ADDRESS NO.	BLOCK NO.	ADDRESS NO.
E - 1	K 1, K 2	F - 1	L 2, L 3
E - 2	K 3	F - 2	L 4
E - 3	K 4	F - 3	L 5
E - 4	K 5	F - 4	L 6, L 7
E - 5	K 6	F - 5	L 8
E - 6	K 7	F - 6	L 9
E - 7	K 8	F - 7	L 10
E - 8	K 9	F - 8	L 11, L 12
E - 9	K 10 - K 12	F - 9	L 13
E - 10	K 13, K 14	F - 10	L 14
E - 11	K 15, K 16	F - 11	L 15
E - 12	L 1	F - 12	L 16, M 1
		F - 13	M 2
		F - 14	M 3
		F - 15	M 4
		F - 16	M 5



Part No.	Block No.	Part No.	Block No.	Part No.	Block No.	Part No.	Block No.	Part No.	Block No.
		13311-153-305	E-9	17000		24000		40530-153-003	F-13
		13312-149-010	E-9					40331-153-003	F-13
		13321-152-310	E-9	17110-153-000	F-1	24211-149-000	E-11		
		13321-152-320	E-9	17211-107-020	F-10	24221-115-000	E-11	41000	
		13321-152-330	E-9	17211-153-000	F-10	24231-115-000	E-11		
		13321-153-305	E-9	17211-153-010	F-10	24241-149-000	E-11	41201-153-000	F-8
		13381-149-000	E-9	17226-152-300	F-10	24301-149-000	E-11	41241-051-000	F-8
		13381-153-000	E-9	17228-153-000	F-10	24421-200-000	E-11	41245-051-000	F-8
				17230-153-000	F-10	24430-115-010	E-11		
		14000		17245-107-010	F-10	24435-115-020	E-11	42000	
					F-15	24436-149-000	E-11		
		14101-153-000	E-2	17253-152-000	F-10	24610-149-000	E-11	42301-041-030	F-7
		14311-035-000	E-9	17255-028-000	F-10	24641-115-010	E-11	42304-051-000	F-8
		14321-115-000	E-3	17255-107-000	F-10	24651-107-000	E-11	42313-149-000	F-7
		14401-028-003	E-3	17500-153-000ZA	F-9	24652-035-000	E-11	42601-149-000	F-8
		14431-116-000	E-2	17611-331-000	F-9	24700-107-700	F-12	42601-153-600ZA	F-8
		14451-035-000	E-2	17613-051-010	F-9	24701-153-600	F-12	42620-051-000	F-8
		14511-149-000	E-2	17620-329-000	F-9			42701-116-671	F-8
		14500-152-000	E-3	17631-329-000	F-9	28000		42711-116-672	F-8
		14515-152-000	F-3	17681-153-000	F-9			42712-116-672	F-9
		14550-116-000	E-3	17910-153-000	F-1	28211-149-000	E-11	42713-116-671	F-8
		14561-086-010	E-3			28221-149-000	E-11	42715-116-671	F-8
		14561-115-020	E-3	18000		28223-149-000	E-11		
		14562-115-000	E-3			28251-149-000	E-11	43000	
		14711-152-010	E-2	18291-028-000	F-11	28259-149-000	E-8		
		14721-116-000	E-2	18300-153-000	F-11	28281-149-003	E-11	43100-153-000	F-7
		14731-149-000	E-2	18330-942-000	F-11	28282-149-000	E-11	43100-153-600ZA	F-7
		14761-115-010	E-2	18362-720-000	F-7	28293-333-000	F-12	43120-331-670	F-5
		14771-107-020	E-2			28300-153-000	F-12		F-7
		14775-107-000	E-2	22000		28311-342-000	F-12	43120-365-671	F-7
		14781-107-020	E-2			28333-124-000	F-12	43120-365-672	F-7
				22100-149-000	E-5			43141-400-000	F-7
		15000		22121-115-010	E-5	30000		43145-149-000	F-7
				22201-107-000	E-5			43151-110-000	F-5
		15100-153-000	E-6	22311-107-000	E-5	30202-041-015	E-7		F-7
		15106-153-000	E-6	22350-115-020	E-5	30205-041-005	E-7	43410-149-000	F-7
		15111-149-000	F-6	22361-107-000	E-5	30500-153-003	F-16	43431-152-000	F-13
		15116-107-020	E-6	22366-115-000	E-5	30501-153-000	F-16	43434-286-000	F-7
		15126-107-020	E-6	22401-153-000	E-5	30600-918-670	F-16	43451-152-000	F-12
		15131-149-000	E-6	22810-149-000	E-4	30700-152-153	F-16		
		15136-153-000	E-6	22815-149-000	E-4			44000	
		15331-115-000	E-6	22821-116-000	E-4	31000			
		15332-115-000	E-6	22830-149-000	E-4			44301-107-000	F-6
		15421-035-010	E-8	22831-107-000	E-4	31100-153-005	E-7	44311-229-000	F-6
		15441-149-000	E-9	22870-153-000	F-1	31110-153-005	E-7	44601-150-000	F-6
		15447-149-000	E-9			31120-153-005	E-7	44601-153-600ZA	F-6
		15650-086-000	E-4	23000				44620-400-000	F-6
						32000		44701-118-013	F-6
		16000		23121-115-020	E-5			44701-152-711	F-6
				23121-149-000	E-5	32100-153-000	F-16	44711-116-671	F-6
		16010-116-700	E-12	23122-149-000	E-5	32111-153-600	F-1	44712-116-671	F-6
		16011-143-620	E-12	23211-153-000	E-10	32161-404-000	F-1	44713-116-671	F-6
		16012-153-000	E-12	23221-149-000	F-10			44835-365-670	F-5
		16013-107-810	E-12	23426-153-000	E-10	33000			
		16014-116-700	E-12	23426-153-010	E-10			45000	
		16015-153-000	E-12	23441-115-000	E-10	33603-053-650	F-10		
		16016-143-620	E-12	23451-153-000	E-10			45100-153-003	F-5
		16022-153-004	E-12	23461-115-010	E-10			45100-153-600ZA	F-5
		16100-153-004	E-12	23471-115-020	E-10	35000		45120-096-651	F-5
		16118-086-004	E-12	23481-115-000	E-10				
		16165-153-004	E-12	23491-115-010	E-10	35300-153-003	F-1	45120-096-652	F-5
		16168-355-700	E-12	23501-149-000	E-10	35300-153-305	F-1		F-7
		16229-153-000	E-1	23511-115-010	E-10	35750-001-029	E-7	45131-400-000	F-5
		16950-149-000	F-9	23520-149-000	E-10	35752-028-300	E-7	45133-028-000	F-5
		16950-149-005	F-9	23531-149-000	E-10	35753-115-000	E-11		F-7
		16951-149-005	F-9					45134-250-000	F-5
		16952-377-700	F-9	23800-116-010	E-10	40000			F-7
		16952-377-701	F-9	23802-040-000	E-10			45145-400-000	F-5
						40510-116-6718	F-13	45410-400-000	F-5

**J 12**

Part No.	Block No.								
45450-152-670	F-1	53166-116-670	F-1	90017-371-000	E-1	91261-121-000	F-5	94001-06000	E-4
45454-360-010	F-1	53166-400-770ZA	F-1	90023-041-000	E-11	91261-121-003	F-5		F-1
45469-364-670	F-4	53171-110-000	F-1	90031-152-000	E-8	91251-361-005	F-5		F-7
		53172-110-000	F-1	90032-152-000	E-8	91301-027-000	F-4		F-8
46000		53174-116-670	F-1	90033-115-000	E-5	91301-200-000	E-1		F-10
46500-153-000	F-12	53175-149-000	F-1	90081-149-010	E-3	91301-216-000	E-3		F-11
46514-107-010	F-12	53176-329-000	F-1	90102-149-000	F-16	91301-704-000	E-4		F-15
		53178-149-000	F-1	90108-223-000	F-12	91303-259-000	E-3	94001-06080	F-16
		53179-329-000	F-1	90114-329-000	F-1	91304-107-000	E-6	94001-08000-05	F-7
		53192-268-000	F-1	90117-065-000	F-2	91306-035-000	E-1		F-13
		53200-153-000ZA	F-2	90121-153-000	F-13	91307-035-000	E-4	94001-08020-05	F-8
		53211-028-305	F-2	90127-400-000	F-7	91309-302-000	E-9	94002-05000-05	F-3
		53214-001-010	F-2	90133-331-770	F-13	91312-107-000	E-7	94002-08000-05	E-1
		53215-001-000	F-2	90201-836-000	E-5				E-3
		53217-030-305	F-2	90206-001-000	E-2	92000		94002-10000-05	F-12
		53220-098-670	F-2	90236-300-000	F-16			94021-10000-05	F-14
		53231-116-670CT	F-2	90304-153-000	F-2	92000-05018-0K	E-6	94030-08000	F-16
				90305-051-000	F-5	92000-06006	F-13	94101-05000	F-3
		61000			F-8	92000-06008	E-10	94101-06000	E-4
		61100-152-670ZB	F-3	90309-375-003	E-7				E-5
		61103-357-000	F-15	90321-315-670	F-1	92000-06010	E-3		F-2
		61133-131-000	F-3	90351-268-000	F-13				F-3
		61138-357-000	F-3	90354-115-000	F-2	92000-06012	F-3		F-4
				90401-149-000	E-11				F-7
				90407-259-000	E-8				F-8
		64000		90441-028-010	E-1				F-10
		64110-131-000ZA	F-3	90452-115-000	E-10	92000-06016	E-1		F-11
		64110-131-000ZB	F-3	90452-701-000	E-11				F-13
		64111-131-000	F-3	90453-115-000	E-10				F-15
		64113-116-690MF	F-3	90461-115-000	E-10				F-11
		64113-116-690ZA	F-3	90462-115-010	E-5	92000-06020	F-12	94101-08000	F-2
				90483-028-000	E-1	92000-06022	E-1		F-9
		77000		90503-153-000	F-2				F-12
		77100-153-000	F-9	90505-116-670	F-12	92000-06025	E-5		F-13
		77205-286-000	F-9	90516-153-000	F-4			94101-10000	F-13
				90521-028-000	F-12			94101-12000	F-8
		80000		90522-028-000	F-3			94111-04000	E-12
		80101-152-000ZB	F-15	90524-030-000	F-7	92000-06028	F-15	94111-05000	F-3
		80102-153-000ZA	F-15	90525-030-000	F-15	92000-06030	F-12	94111-06000	F-7
				90528-229-000	F-5	92000-08016-0A	F-9		F-8
					F-6				F-11
				90541-371-000	E-1	92000-08020-0A	F-12		F-16
				90543-273-000	F-4	92700-00032	E-1	94111-06800	F-16
				90551-033-000	F-14	92800-12000	E-8	94111-08000	F-8
				90563-353-000	F-10				F-9
		83000			F-15	93000			F-12
		83551-300-000	F-10	90601-001-000	E-10				F-13
		83600-153-000ZA	F-10	90601-149-000	E-11	93500-04012-0A	E-12		F-16
		83700-153-000ZA	F-10	90608-072-000	E-10	93500-04025-0A	F-10	94111-10000	F-13
				90741-035-000	E-9	93500-05012-0A	F-3	94201-16150	F-12
		87000		90753-051-003	F-8	93500-05016-0A	F-3	94201-20150	E-4
		87128-153-300	F-10	90753-051-005	F-8	93500-05020-0A	F-1		F-7
		87128-153-600	F-10	90755-229-003	F-6	93500-06020-0B	F-16		F-13
		87504-028-670	F-13	90755-229-005	F-6	93500-06025	F-1	94201-30250	F-5
		87504-130-720ZA	F-9	90756-118-003	F-4	93500-06028	F-1		F-8
		87505-153-700	F-13	90801-116-030	E-4	93500-06035	E-7		F-12
		87508-120-000	F-16	90899-385-000	F-15	93500-06038	E-4	94301-08140	E-4
		87510-147-670ZA	F-9			93500-06045	E-8	94301-10160	E-1
		87560-323-670B	F-9			93500-06055	E-8		E-8
				91000		93500-06080	E-4	94301-12200	E-8
		89000		91001-035-008	E-9	93500-06078	E-4	94510-17000	E-5
		89010-153-000	F-9	91001-115-000	E-10	93600-04012-0A	E-6	94510-18120	E-11
		89216-045-670	F-9	91101-149-000	E-9	93600-06016	E-7	94511-50000	F-8
		89217-045-670	F-9	91102-149-000	E-9	93700-05018-0A	F-5	94521-40000	F-4
				91103-149-000	E-9	93700-05025-0A	E-4	94570-27000	F-4
				91202-115-015	E-9			94580-27000	F-4
		90000		91203-035-005	E-10	94000		94602-27101	F-4
		90017-333-000	E-2	91204-121-000	E-8			94603-27002	F-4
				91204-286-003	E-4	94001-06000	E-1	94605-10101	F-4

**J 13****Part No.      Block No.**

94608-10000      F-4  
94609-30000      F-4

**95000**

95001-35300-40      E-12  
95002-02070      E-12  
95002-02080      F-9  
95002-50000      E-8  
95005-50180-30      E-8  
95011-40000      F-12  
95014-10010      F-7  
                         F-8  
95014-21200      F-2  
95014-32200      F-2  
95014-61300      F-16  
95014-62100      F-1  
95014-72102      F-12  
95014-73100      F-12  
95015-32001      F-12  
95015-42000      F-12  
95015-52000      F-12  
95300-08035-00      F-2  
95300-08060-00      F-16  
95300-08100-00      F-16  
95700-06032-00      F-7  
95700-06102-00      E-1

**96000**

96100-60010      E-5  
96100-60050      E-10  
96100-62030      E-10  
96140-63010-10      F-6  
                         F-8  
96211-06000      F-2  
96211-08000      F-12  
96220-20118      E-9

**97000**

97228-31134-10      F-6  
97285-42089-10      F-8  
97604-31133-10      F-6  
97824-42088-10      F-8

**98000**

98056-57711      E-1  
98056-57716      E-1  
98056-57722      E-1  
98056-57726      E-1

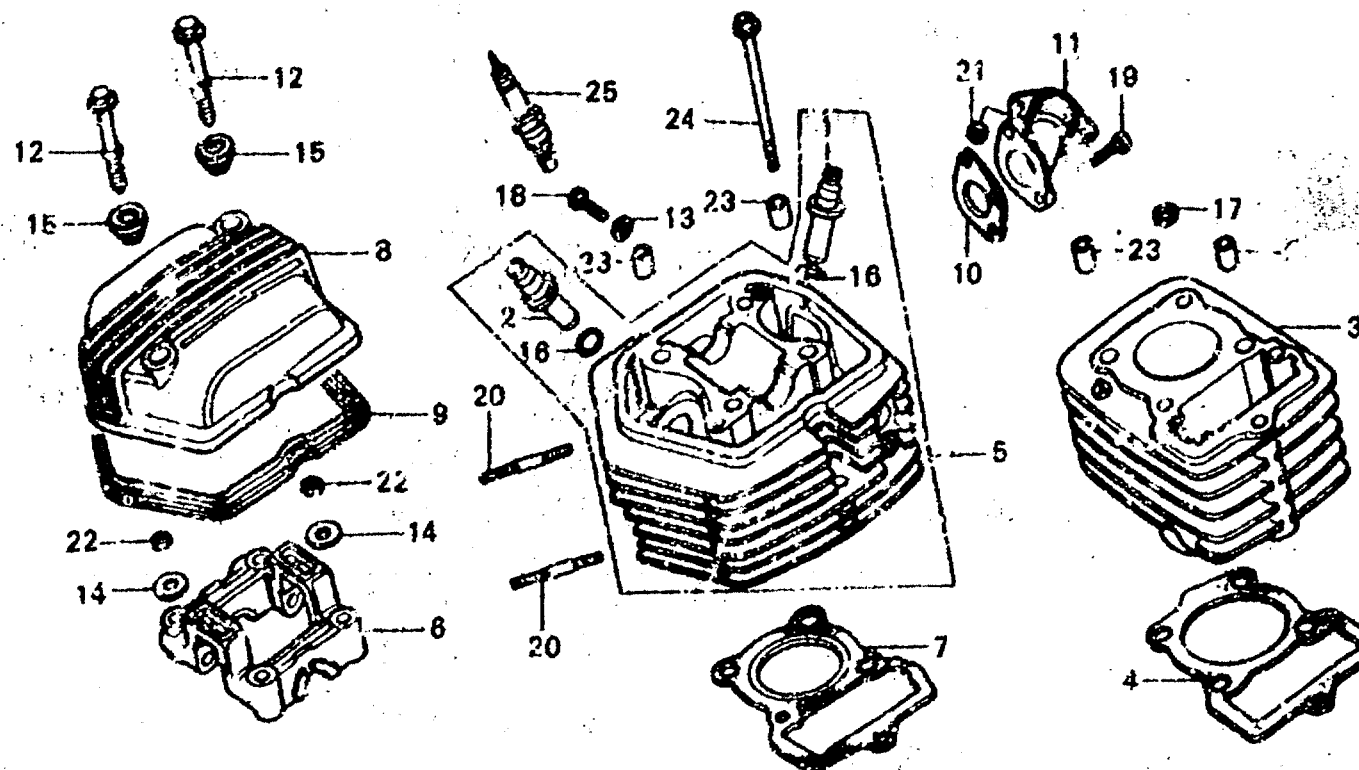
**99000**

99008-01600      F-9  
99101-116-0920      E-12  
99103-116-0950      E-12

K 1

E-1

Cylinder head • Cylinder



6149-18

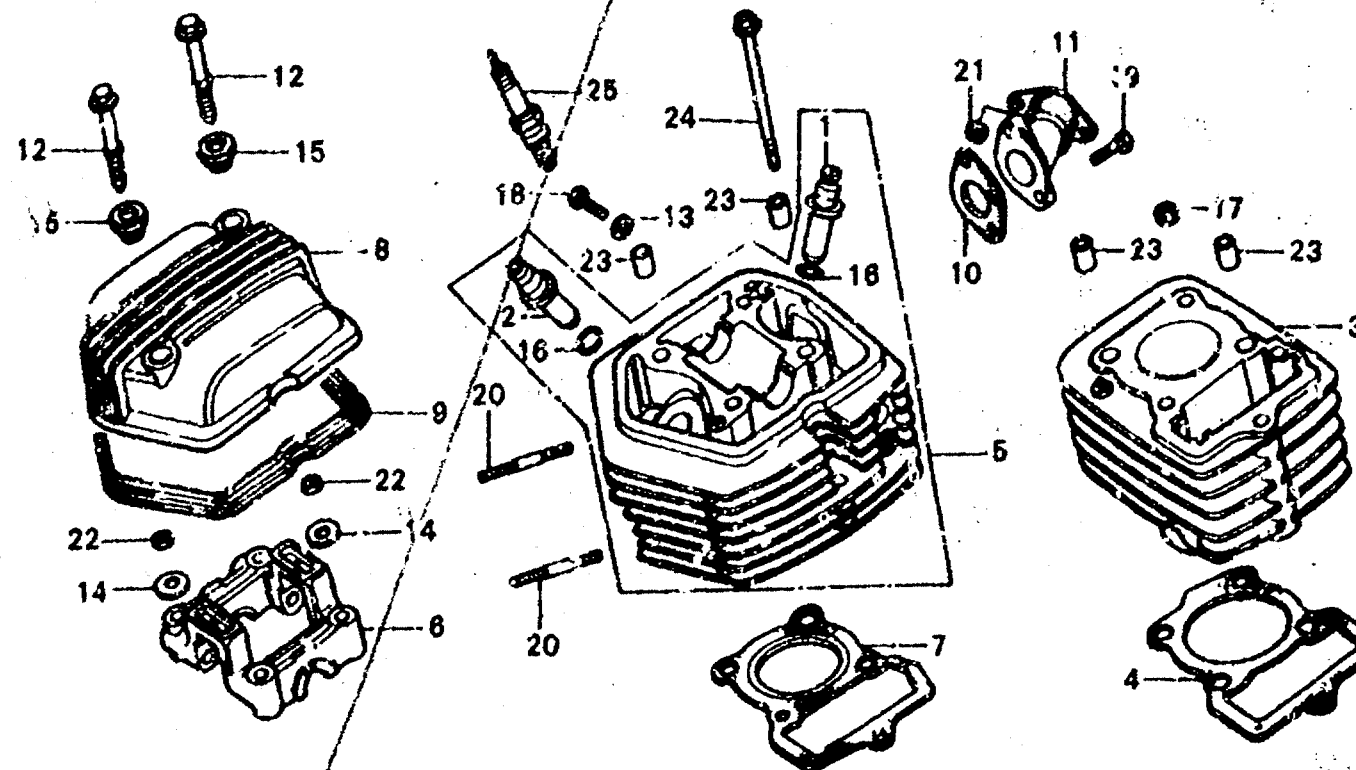
Service item	F.R.T.	Ref. No.	Part No.	Description	Prod. No. XR75 K4 K5	Serial No.	Area code
CYLINDER HEAD COMP. VALVE GUIDE	0.2	1	12021-149-300	GUIDE, IN. VALVE	1	1410833	1410832
			12021-115-301	GUIDE, IN. VALVE	1		
		2	12023-116-300	GUIDE, EX. VALVE	1		
CYLINDER/CYLINDER GASKET	0.2	3	12100-152-000	CYLINDER COMP.	1	1416270	1416270
			12100-152-020	CYLINDER COMP.	1	1416270	
CYLINDER HEAD GASKET	0.2	4	12290-152-000	GASKET, CYLINDER HEAD COMP., CYLINDER	1	1410833	1410832
CAMSHAFT HOLDER	0.7	6	12210-149-010	HOLDER, CAMSHAFT	1		
CYLINDER HEAD COVER	0.3	7	12251-152-000	GASKET, CYLINDER HEAD	1	1539646	1539645
		8	12251-152-010	GASKET, CYLINDER HEAD COVER, CYLINDER HEAD	1		
		9	12391-149-003	GASKET, HEAD COVER (ARAI)	1		
		10	16229-153-000	GASKET, IN. PIPE	1		
		11	17110-153-000	PIPE COMP., IN.	1		
		12	90417-371-000	BOLT, SPECIAL, 6X45.5	2		
		13	90441-028-010	WASHER, SPECIAL, 6MM	1		
		14	90483-028-000	WASHER, 6MM	1		
		15	90541-371-000	RUBBER, MOUNT	1		
		16	91301-200-060	O-RING, 10X1.6	1		
		17	91306-035-000	GASKET, RUBBER, 1.5X1.5	1		
		18	92000-06016	BOLT, HEX., 6X16	1		
		19	92000-06022	BOLT, HEX., 6X22	1		

1978.09.20

K 2

E-1

Cylinder head - Cylinder



8149-1B

Service item	F.R.T.	Ref. No	Part No.	Description	Reqd. No. XR75 K4 K5	Serial No.	Area code
		20	92700-06032	BOLT, STUD, 6X32	2 2		
		21	94001-06000	NUT, HEX., 6MM	2 2		
		22	94002-06000-05	NUT, HEX., 8MM	4 4		
		23	94301-10360	PIN A, DOWEL, 10X16	4 4		
		24	95700-06102-07	BOLT, FLANGE, 6X102	1 1		
		25	98055-57711	PLUG, SPARK (C-7HS NGK)	1 1		A
			98056-57716	PLUG, SPARK (CR7HS NGK)	1 1		CM
			98056-57722	PLUG, SPARK (U22FS HD)	1 1		A
			98056-57729	PLUG, SPARK (U22FSR-L HD)	1 1		CM

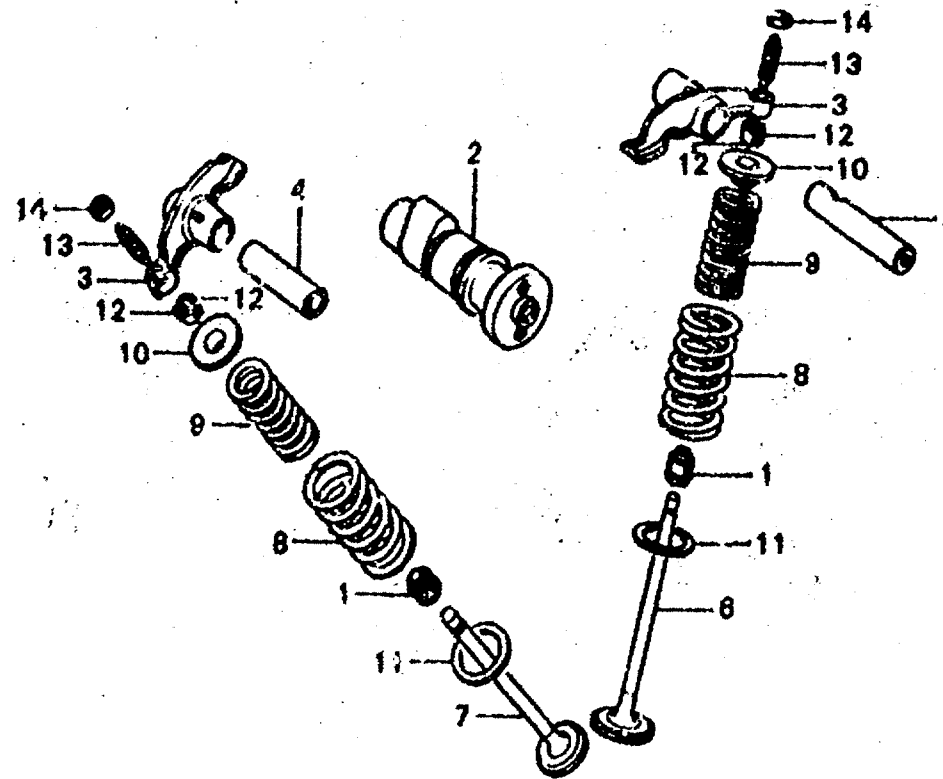
1978.09.20



K 3

E-2

Camshaft - Valve



814 2

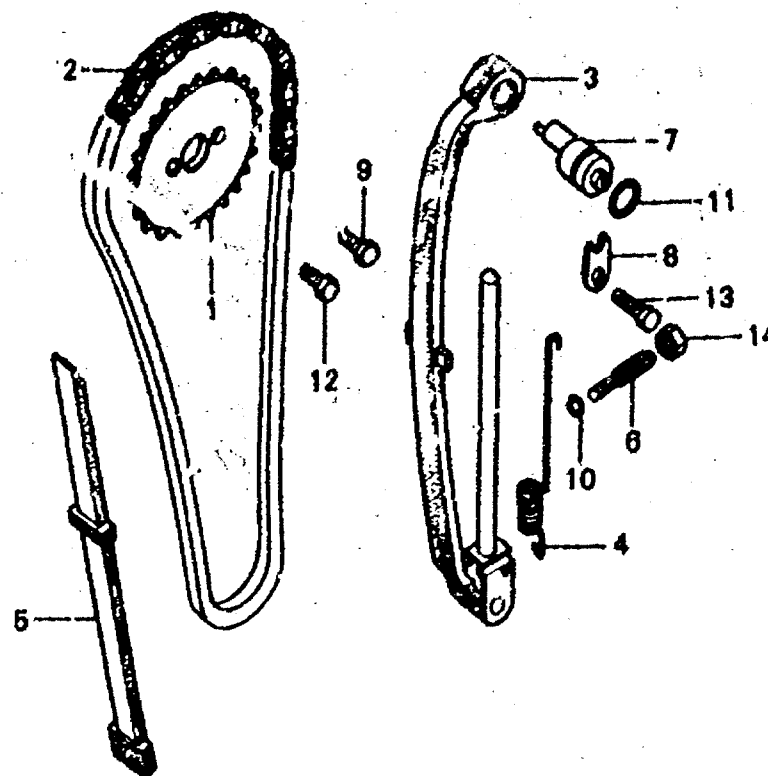
Series Item	F.R.T.	Ref. No.	Part No.	Description	Reqd. No. XR75 K4 KE	Serial No.	Area code
VALVE	2.3	1	12209-107-760	SEAL, VALVE STEM	2		1410832
*Add 0.2 Res-ning included					1	1410833	
VALVE SPRING and its various parts	2.1	2	14101-153-000	CAMSHAFT	1		
*Add 0.1		3	14431-116-000	ARM, VALVE ROCKER	2		
CAMSHAFT/VALVE ROCKER	0.7	4	14451-035-000	SHAFT, VALVE ROCKER ARM	1		
ARM/ROCKER ARM SHAFT		5	14451-149-000	SHAFT, VALVE ROCKER ARM	1		
		6	14711-152-000	VALVE, IN.	1		
		7	14721-116-000	VALVE, EX.	1		
		8	14751-149-000	SPRING, VALVE OUTER	2		
		9	14761-115-010	SPRING, VALVE INNER	2		
		10	14771-107-020	RETAINER, VALVE SPRING	2		
		11	14775-107-000	SEAT, VALVE SPRING OUTER	2		
		12	14781-107-020	COTTER, VALVE	4		
		13	90112-333-000	SCREW, TAPPET ADJUSTING	2		
		14	90206-001-030	NUT, TAPPET ADJUSTING	2		

1978.09.20

**K 4**

**E-3**

**Cam chain - Tensioner**



8140-3

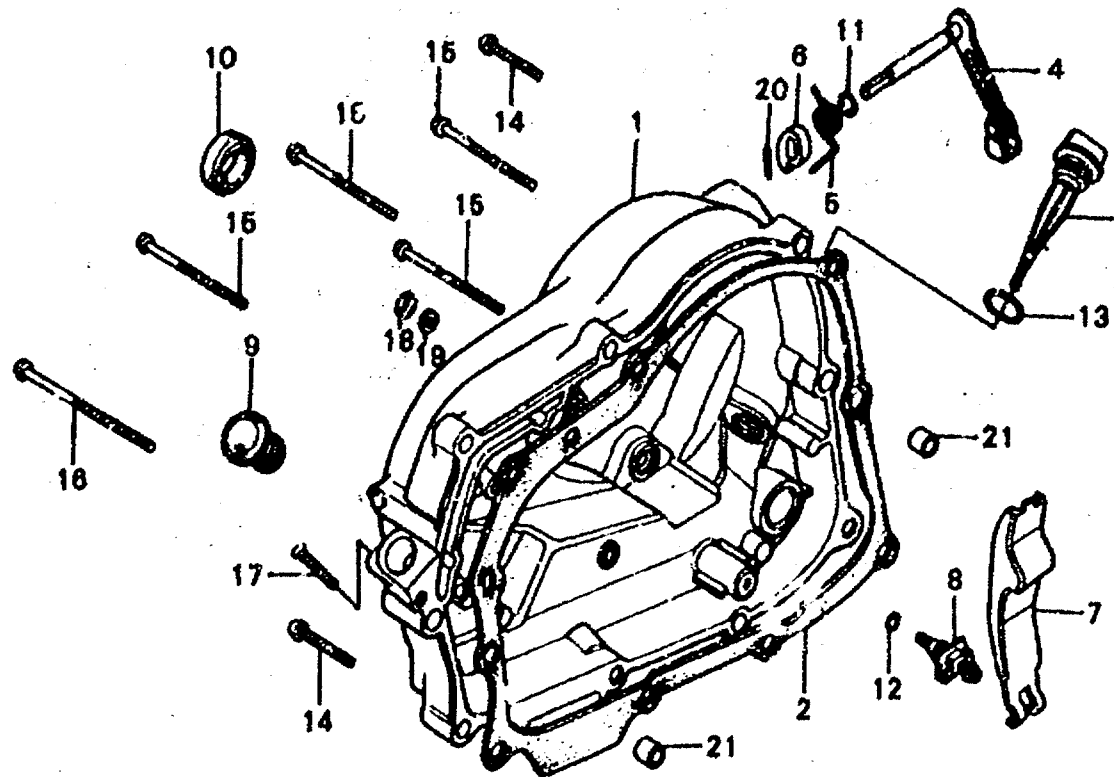
Service item	F.R.T.	Ref. No.	Part No.	Description	Reqd. No. XR75 K4 K5	Serial No.	Area code
CAM CHAIN	*3.4	1	14321-115-000	SPROCKET, CAM (28T)	1	1	
CAM CHAIN TENS. ONER COMP./SPRING	*2.2	2	14401-028-003	CHAIN, CAM (86L DAIDD)	1	1	
CAM CHAIN GUIDE	*2.0	3	14500-152-000	TENSIONER COHP., CAM CHAIN	1	1	
CAM SPROCKET	0.7	4	14515-152-000	SPRING, CAM CHAIN TENSIONER	1	1	
TENSIONER ADJUST BOLT/ ADJUSTING BOLT	0.2	5	14550-116-000	GUIDE, CAM CHAIN	1	1	
		6	14561-086-010	BOLT, CAM CHAIN TENSIONER ADJUSTING	1	1	
		7	14561-115-020	BOLT, CAM CHAIN TENSIONER ADJUSTING	1	1	
		8	14562-115-000	PLATE, CAM CHAIN TENSIONER ADJUSTING	1	1	
		9	90081-149-010	BOLT, KNOCK, 6X10	1	1	
		10	91301-216-000	O-RING, 5.5X1.5	1	1	
		11	91303-259-000	O-RING, 11X2.0	1	1	
		12	92000-06010	BOLT, HEX., 6X10	1	1	
		13	92000-06016	BOLT, HEX., 6X16	1	1	
		14	94002-08000-05	NUT, HEX., 8MM	1	1	

1976.09.20

**K 5**

**E-4**

**Right crankcase cover.**



3149-4A

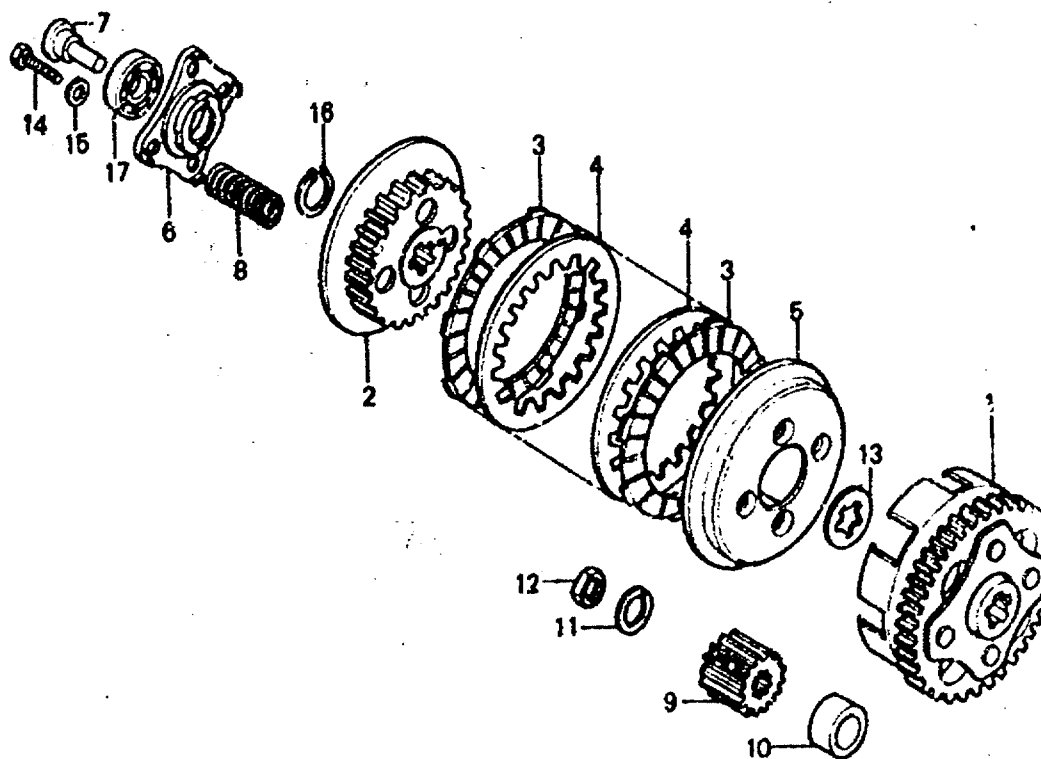
Service item	F.R.T.	Ref. No.	Part No.	Description	Reqd. No. XR75 K4 K5	Serial No.	Area code
R. CRANKCASE COVER COMP.	0.7	1	11330-149-000	COVER COMP., R. CRANKCASE	1	1	
CLUTCH LEVER/ADJUSTING LEVER	0.8	2	11393-149-000	GASKET, R. CRANKCASE COVER	1	1	
•18 x 28 x 7 OIL SEAL		3	15650-086-000	GAUGE, OIL LEVEL	1	1	
R. CRANKCASE COVER GASKET	0.0	4	22810-149-000	LEVER COMP., CLUTCH	1	1	
		5	22815-149-000	SPRING, CLUTCH LEVER	1	1	
		6	22821-116-000	CAM, CLUTCH LIFTER	1	1	
		7	22830-149-000	LEVER, CLUTCH ADJUSTING	1	1	
		8	22831-107-000	SCREW COMP., CLUTCH ADJUSTING	1	1	
		9	90801-116-030	PLUG, RUBBER, 15MM	1	1	
		10	91204-286-003	OIL SEAL, 18X29X7	1	1	
		11	91301-027-000	O-RING, 5.8X1.9	1	1	
		12	91301-704-000	O-RING, 6MM	1	1	
		13	91307-035-000	O-RING, 16X3	1	1	
		14	93500-06038	SCREW, PAN, 6X38	2	2	
		15	93500-06080	SCREW, PAN, 6X80	6	6	
		16	93500-06098	SCREW, PAN, 6X98	1	1	
		17	93700-05025-0A	SCREW, OVAL, 5X25	1	1	
		18	94001-06000	NUT, HEX., 6MM	1	1	
		19	94101-06000	WASHER, PLAIN, 6MM	1	1	
		20	94201-20150	PIN, SPLIT, 2.0X15	1	1	
		21	94301-08140	PIN A, DOWEL, 8X14	2	2	

1914.09.20

**K 6**

**E-5**

**Clutch**



8149-5A

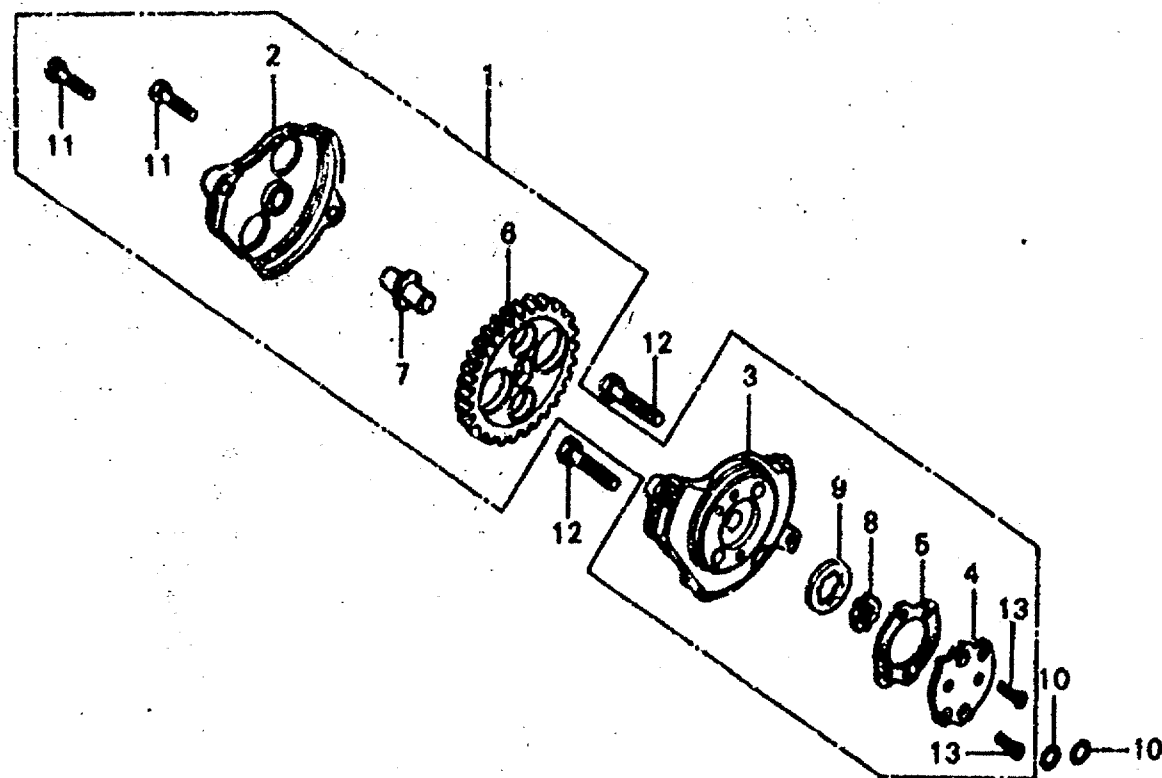
Service item	F.R.T.	Ref. No.	Part No.	Description	Reqd. No. XR75 K4 K6	Serial No.	Area code
CLUTCH CENTER/GUTER	0.7	1	22100-149-000	OUTER COMP., CLUTCH	1		
•CLUTCH LIFTER PLATE/BALL BEARING		2	22121-115-010	CENTER, CLUTCH (16T)	1		
CLUTCH SPRING	0.8	3	22201-107-000	DISK, CLUTCH FRICTION	3		
PRIMARY DRIVE GEAR	0.5	4	22311-107-000	PLATE, CLUTCH	2		
•CLUTCH LIFTER GUIDE PIN		5	22350-115-020	PLATE, CLUTCH PRESSURE	1		
		6	22361-107-000	PLATE, CLUTCH LIFTER	1		
		7	22366-115-000	PIN, CLUTCH LIFTER GUIDE	1		
		8	2401-153-000	SPRING, CLUTCH	4		
		9	23121-115-020	GEAR, PRIMARY DRIVE (16T)	1	1410832	
			23121-149-000	GEAR, PRIMARY DRIVE (16T)	1	1410833	
		10	23122-149-000	COLLAR, PRIMARY DRIVE GEAR	1	1410833	
		11	90033-115-000	WASHER, SUPER LOCK	1		
		12	90201-836-000	NUT, SPECIAL, 14MM	1		
		13	90462-115-010	WASHER 8, SPLINE 17MM	1		
		14	92000-06025	BOLT, HEX., 6X25	4		
		15	94101-06003	WASHER, PLAIN, 6MM	4		
		16	94510-17000	CIR CLIP, EXTERNAL, 17	1		
		17	96100-60010	BEARING, RADIAL BALL, 6001	1		

1978.09.20.

**K 7**

**E-6**

**Oil pump**



8153-1

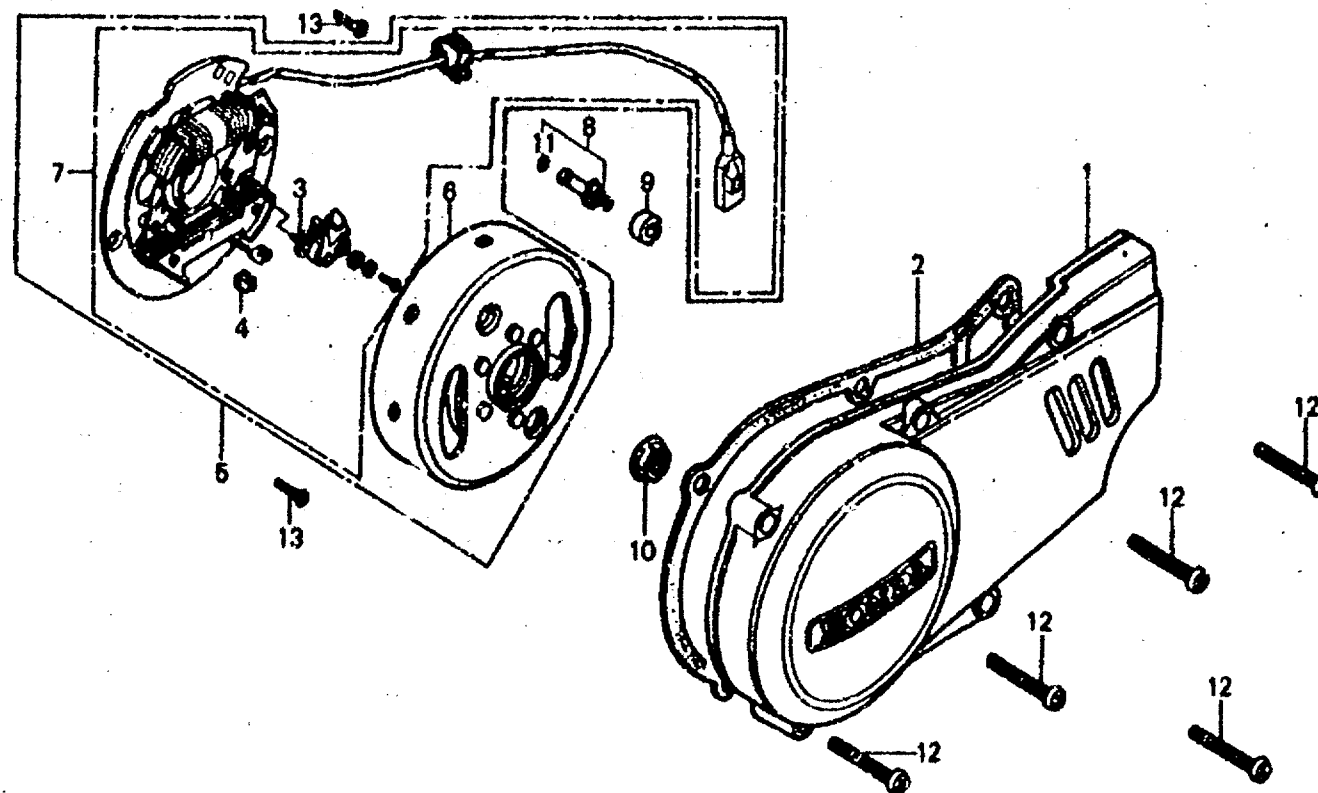
Service item	F.R.T.	Ref. No.	Part No.	Description	Reqd. No. XR75 K4 K5	Serial No.	Area code
OIL PUMP BODY/OIL PUMP PLATE	0.8	1	15100-153-000	PUMP ASSY., OIL	1	1	
OIL PUMP ASSY.	0.6	2	15106-153-000	COVER, OIL PUMP GEAR	1	1	
•OIL PUMP GEAR COVER/OIL PUMP DRIVE GEAR		3	1F111-149-000	BGDY, OIL PUMP	1	1	
		4	15116-107-020	PLATE, OIL PUMP	1	1	
		5	15126-107-020	GASKET, OIL PUMP	1	1	
		6	15131-149-000	GEAR, OIL PUMP DRIVE (35T)	1	1	
		7	15136-153-000	SHAFT, OIL PUMP	1	1	
		8	15331-115-000	ROTOR, OIL PUMP INNER	1	1	
		9	15332-115-000	ROTOR, OIL PUMP OUTER	1	1	
		10	91304-107-000	O-RING, 9.4X2.4	2	2	
		11	92000-05018-04	BOLT, HEX., 5X18	2	2	
		12	92000-06022	BOLT, HEX., 6X22	2	2	
		13	93600-04012-0A	SCREW, FLAT, 4X12	2	2	

1978.09.20

**K 8**

**E-7**

**Left crankcase cover -  
Generator.**



8153-2

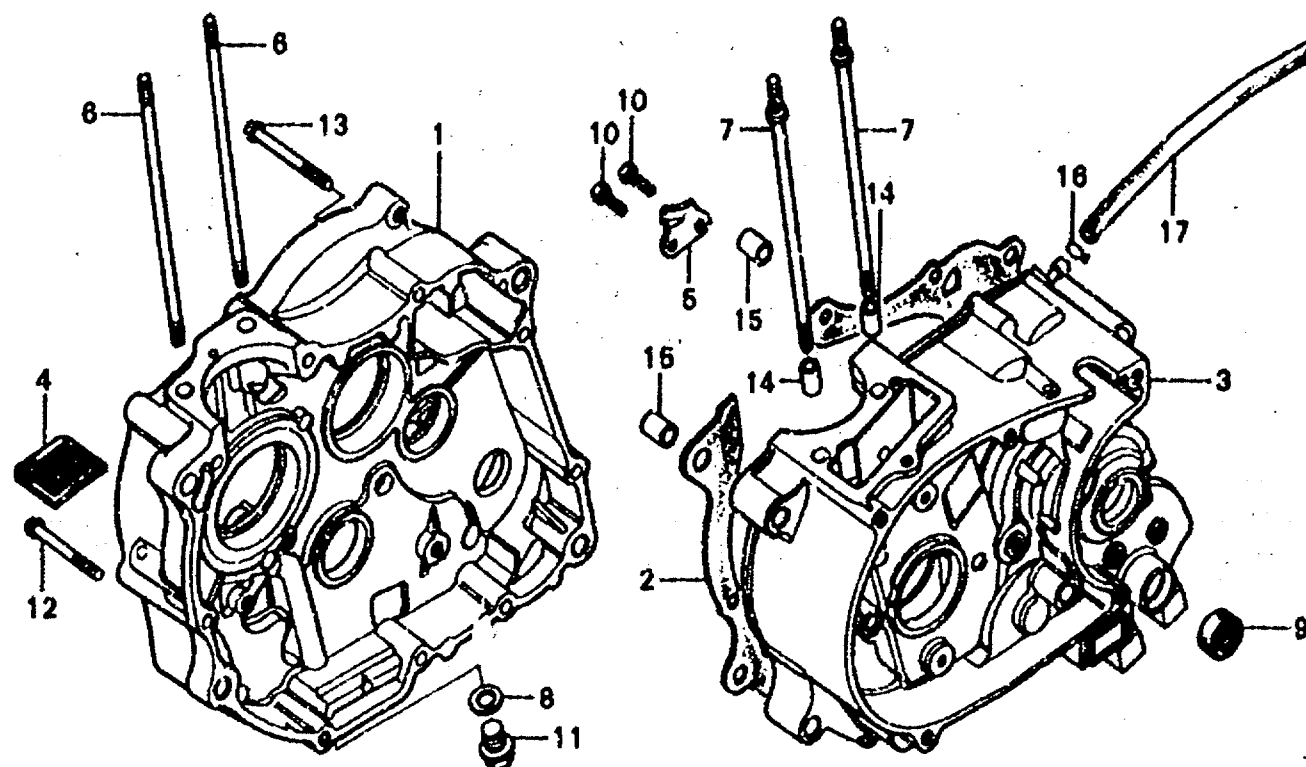
Service Item	F.R.T.	Ref. No.	Part No.	Description	Reqd. No. XR75 K4 Y5	Serial No.	Arr a code
A.C. GENERATOR ASSY.	0.4	1	11341-149-000	COVER, L. CRANKCASE	1	1	
•ST. TOR COMP.		2	11394-149-000	GASKET, L. CRANKCASE COVER	1	1	
•CONTACT BREAKER		3	30202-041-015	BREAKER, CONTACT (HITACHI)	1	1	
CONDENSER COMP.	0.3	4	30205-041-005	FELT, OIL (HITACHI)	1	1	
FLYWHEEL COMP.	0.2	5	31100-153-005	GENERATOR ASSY., FLYWHEEL TYPE A.C. (HITACHI)	1	1	
•NEUTRAL SWITCH CONTACT		6	31110-153-005	FLYWHEEL COMP. (HITACHI)	1	1	
L. CRANKCASE COVER/GASKET	0.1	7	31120-153-005	STATOR COMP. (HITACHI)	1	1	
		8	35750-001-020	CONTACT ASSY., NEUTRAL SWITCH	1	1	
		9	35752-028-300	SPACER, NEUTRAL SWITCH	1	1	
		10	90009-375-003	NUT, FLANGE, 12MM	1	1	
		11	91312-107-010	O-RING, 7X1.7	1	1	
		12	93500-06035	SCREW, PAN, 6X35	5	5	
		13	93600-06016	SCREW, FLAT, 6X16	2	2	

1976.09.20

**K 9**

**E-8**

**Crankcase**



B149-8

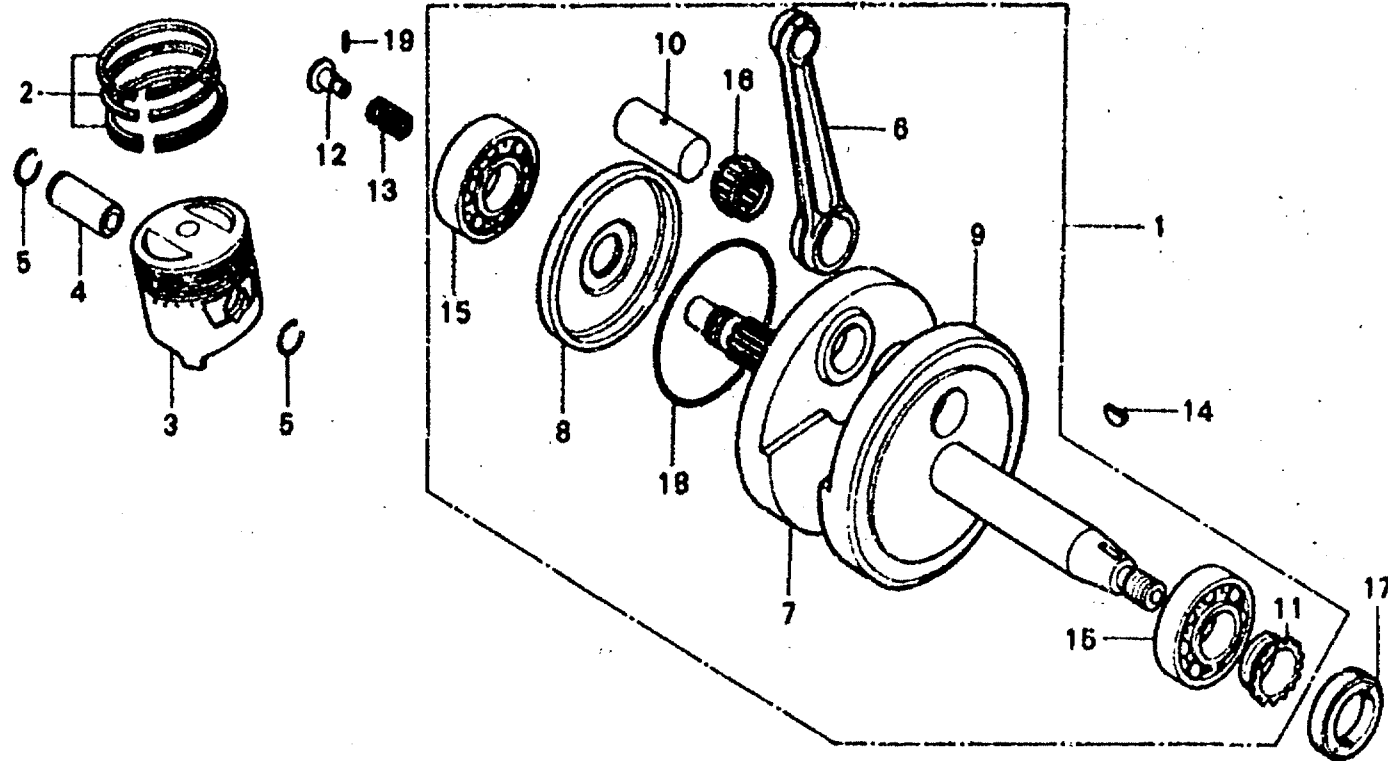
Service item	F.R.T.	Ref. No.	Part No.	Description	Reqd. No. XR75 K4 K5	Serial No.	Area code
L. CRANKCASE	*4.2	1	11100-149-010	CRANKCASE COMP., R.	1		
R. CRANKCASE	*3.6		11100-149-020	CRANKCASE COMP., R.	1	1544853	
CRANKCASE GASKET	*3.0	2	11191-149-000	GASKET, CRANKCASE	1		
CYLINDER STUD BOLT	*2.3	3	11200-149-000	CRANKCASE COMP., L.	1		
*Add 0.1					1	1544852	
11.6 x 24 x 10 OIL SEAL	0.8	4	11200-149-010	CRANKCASE COMP., L.	1	1544853	
OIL FILTER SCREEN	0.5	5	15421-035-010	SCREEN, OIL FILTER	1		
		5	28259-149-000	PLATE, RATCHET GUIDE	1		
		6	90031-152-000	BOLT A, CYLINDER STUD	2		
		7	90032-152-000	BOLT B, CYLINDER STUD	2		
		8	90407-259-000	PACKING, DRAIN COCK	1		
		9	91204-121-000	OIL SEAL, 11.6X24X10	1		
		10	92000-06016	BD. / HEX., 6X16	2		
		11	92800-12000	BOLT, DRAIN PLUG, 12MM	1		
		12	93500-06045	SCREW, PAN, 6X45	1		
		13	93500-06055	SCREW, PAN, 6X55	1		
		14	94301-10160	PIN A, DRWEL, 10X16	2		
		15	94301-12200	PIN A, DRWEL, 12X20	2		
		16	95002-50000	CLIP C9, TUBE	1		
		17	95005-50160-30	TUBE, 5X180	1		

1978.09.20

**K 10**

**E-9**

**Crankshaft • Piston**



B149-9

Service item	F.R.T.	Ref. No.	Part No.	Description	Reqd. No. XR75 K4 K5	Serial No.	Area code
CONNECTING ROD and its related parts	*	1	13000-152-010	CRANKSHAFT COMP.	1	1410832	
* Actually required time			13000-152-020	CRANKSHAFT COMP.	1	1410833	1412412
19 x 36 x 7 OIL SEAL	*3.6		13000-152-030	CRANKSHAFT COMP.	1	1412413	
CRANKSHAFT COMP.	*3.4		13000-153-305	CRANKSHAFT COMP.	(1) 1		
PISTON/PISTON RING SET	*2.3	2	13011-153-004	RING SET, PISTON (STD. RIKEN)	1		1416622
PISTON PIN	*2.2		13011-153-005	RING SET, PISTON (STD. TEIKOKU)	1		1416622
OIL THROUGH	0.6		13021-153-004	RING SET, PISTON (0.25 RIKEN)	(1)		1416622
			13021-153-005	RING SET, PISTON (0.25 TEIKOKU)	(1)		1416622
			13031-153-004	RING SET, PISTON (0.50 RIKEN)	(1)		1416622
			13031-153-005	RING SET, PISTON (0.50 TEIKOKU)	(1)		1416622
			13041-153-004	RING SET, PISTON (0.75 RIKEN)	(1)		1416622
			13041-153-005	RING SET, PISTON (0.75 TEIKOKU)	(1)		1416622
			13051-153-004	RING SET, PISTON (1.00 RIKEN)	(1)		1416622
			13051-153-005	RING SET, PISTON (1.00 TEIKOKU)	(1)		1416622
			13011-153-01	RING SET, PISTON (STD. RIKEN)	1	1416623	
			13011-153-015	RING SET, PISTON (STD. TEIKOKU)	1	1416623	
			13021-153-0.4	RING SET, PISTON (0.25 RIKEN)	(1)	1416623	
			13021-153-015	RING SET, PISTON (0.25 TEIKOKU)	(1)	1416623	

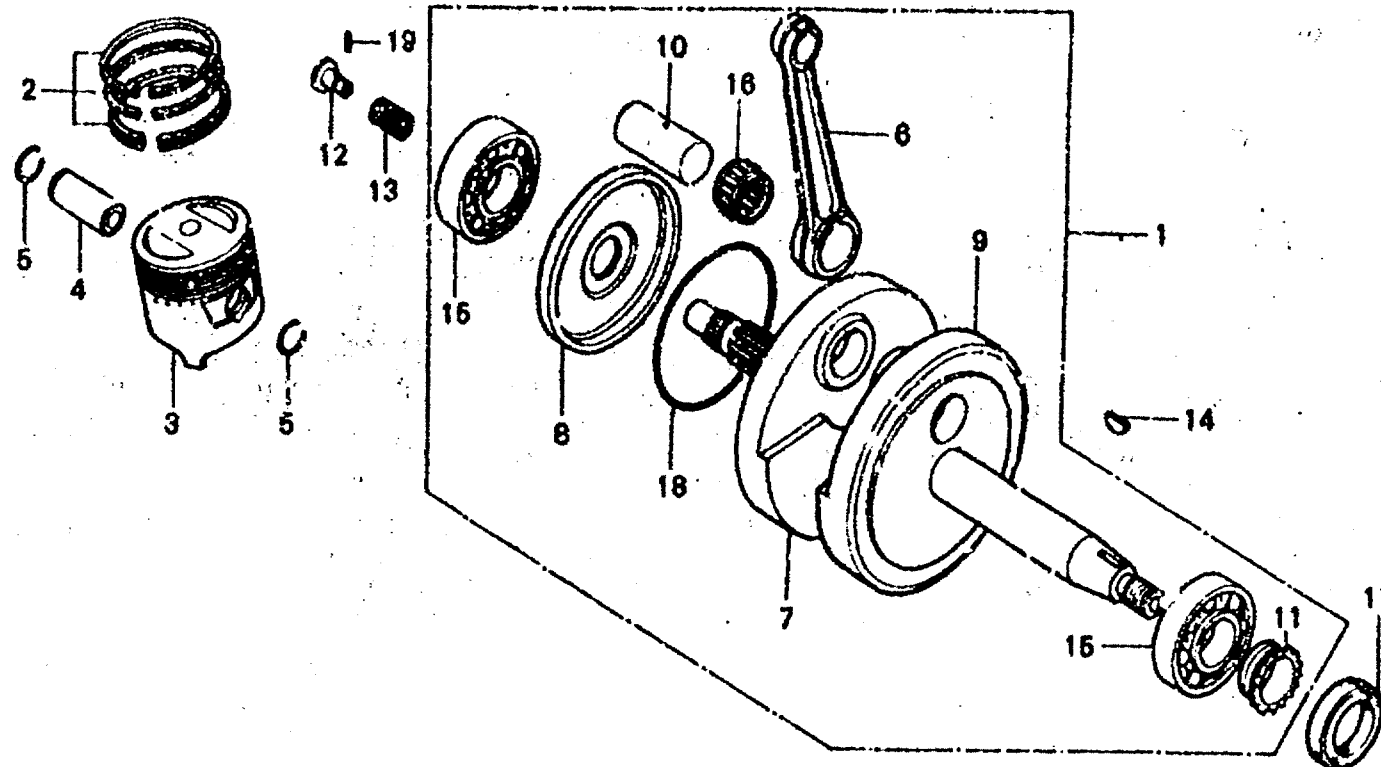
1978.09.20



**K 11**

**E-9**

**Crankshaft - Piston**



B149-9

Service item

F.R.T.

Ref. No.

Part No.

Description

Reqd. No.  
XR7B  
K4 K5

Serial No.

Area code

		13031-153-014	RING SET, PISTON (0.50 RIKEN)	(1)	1416623
		13031-153-015	RING SET, PISTON (0.50 TEIKOKU)	(1)	1416623
		13041-153-014	RING SET, PISTON (0.75 RIKEN)	(1)	1416623
		13041-153-015	RING SET, PISTON (0.75 TEIKOKU)	(1)	1416623
		13051-153-014	RING SET, PISTON (1.00 RIKEN)	(1)	1416623
		13051-153-015	RING SET, PISTON (1.00 TEIKOKU)	(1)	1416623
3		13101-153-000	PISTON (5" D.)	1	1
		13102-153-000	PISTON (0.25)	(1)	(1)
		13103-153-000	PISTON (0.50)	(1)	(1)
		13104-153-000	PISTON (0.75)	(1)	(1)
		13105-153-000	PISTON (1.00)	(1)	(1)
4		13111-087-000	PIN, PISTON	1	1
5		13115-001-000	CLIP, PISTON PIN	2	2
6		13201-036-010	ROD, CONNECTING	1	
		13201-153-000	ROD, CONNECTING	(1)	1
7		13311-152-310	CRANKSHAFT, R.	1	
		13311-153-305	CRANKSHAFT, R.	(1)	1
8		13312-149-010	PLATE, SIDE	1	1
9		13321-152-310	CRANKSHAFT, L.	1	
		13321-152-320	CRANKSHAFT, L.	1	

1410832

1973.09.20

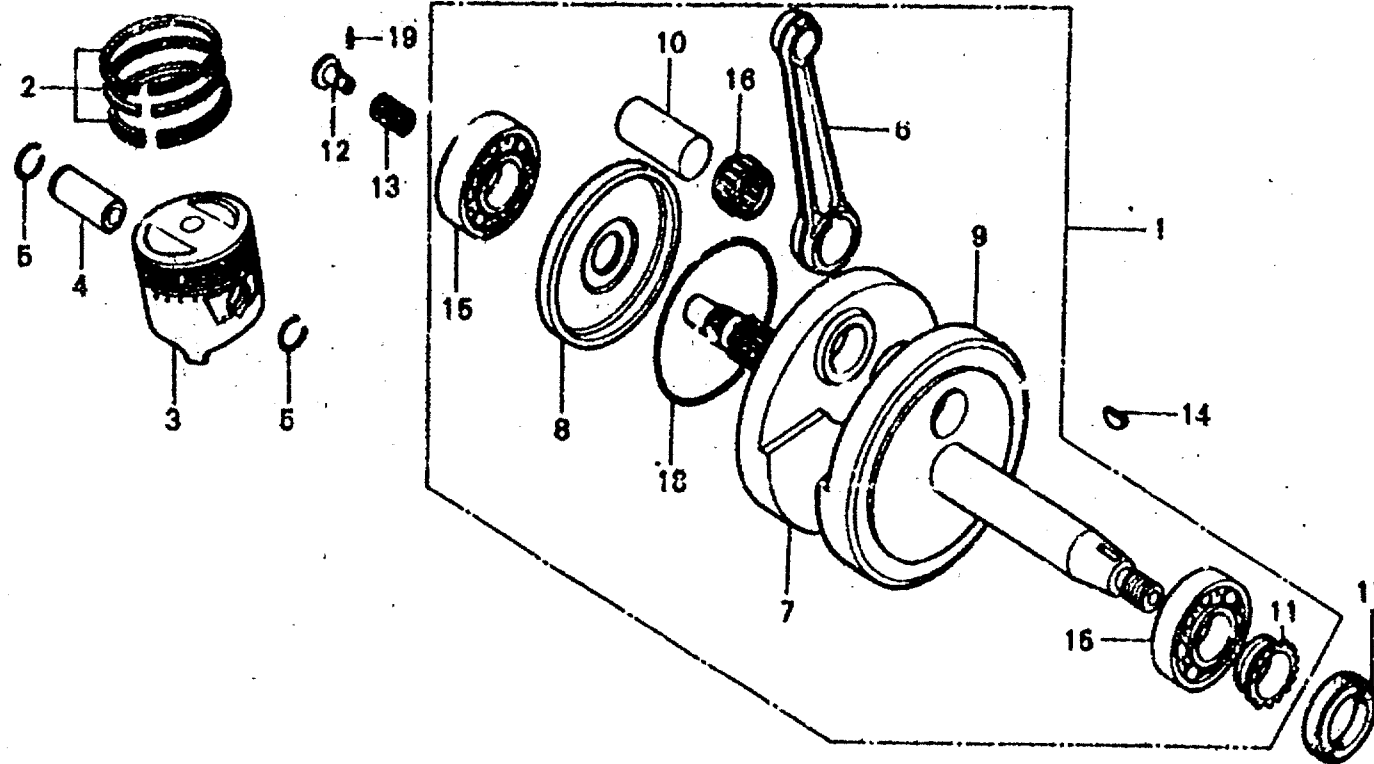
19

20

**K 12**

**E-9**

**Crankshaft • Piston**



8149-9

Service item

F.R.T.

Ref. No.

Part No.

Description

Reqd. No.  
XR75  
K4 K6

Serial No.

Area code

	13321-152-320	CRANKSHAFT, L.	1	1410833	1412412
	13321-152-330	CRANKSHAFT, L.	1	1412413	
	13321-153-305	CRANKSHAFT, L.	(1) 1		
10	13381-149-000	PIN, CRANK	1		
	13381-153-000	PIN, CRANK	(1) 1		
11	14311-035-000	SPROCKET, TIMING (14T)	1		
12	15441-149-000	THROUGH, OIL	1		
13	15447-149-000	SPRING, OIL THROUGH	1		
14	90741-035-000	KEY, WOODRUFF, 3X5	1		
15	91001-035-008	BEARING, RADIAL BALL, 6304 (TOYO)	2		
16	91101-149-000	BEARINGS, CONNECTING ROD	1		
	91102-149-000	BEARINGS, CONNECTING ROD	1		
	91103-149-000	BEARINGS, CONNECTING ROD	1		
17	91202-115-015	OIL SEAL, 19X36X7	1		
18	91309-302-000	O-RING, 70X2.4	1		
19	96220-20118	ROLLER, 2X11.8	1		

Selection table of connecting rod large and bearing (XR75K4)

Connecting rod clearance	WHITE (-0.002 to +0.001)	BLUE (+0.001 to +0.004)	YELLOW (+0.004 to +0.007)
Yellow (+0.002 to +0.005)	91102-149-000	91101-149-000	
White (+0.001 to +0.004)	91103-149-000	91102-149-000	91101-149-000
Blue (+0.004 to +0.007)		91103-149-000	91102-149-000

Selection table of connecting rod pin and bearing (XR75K4)

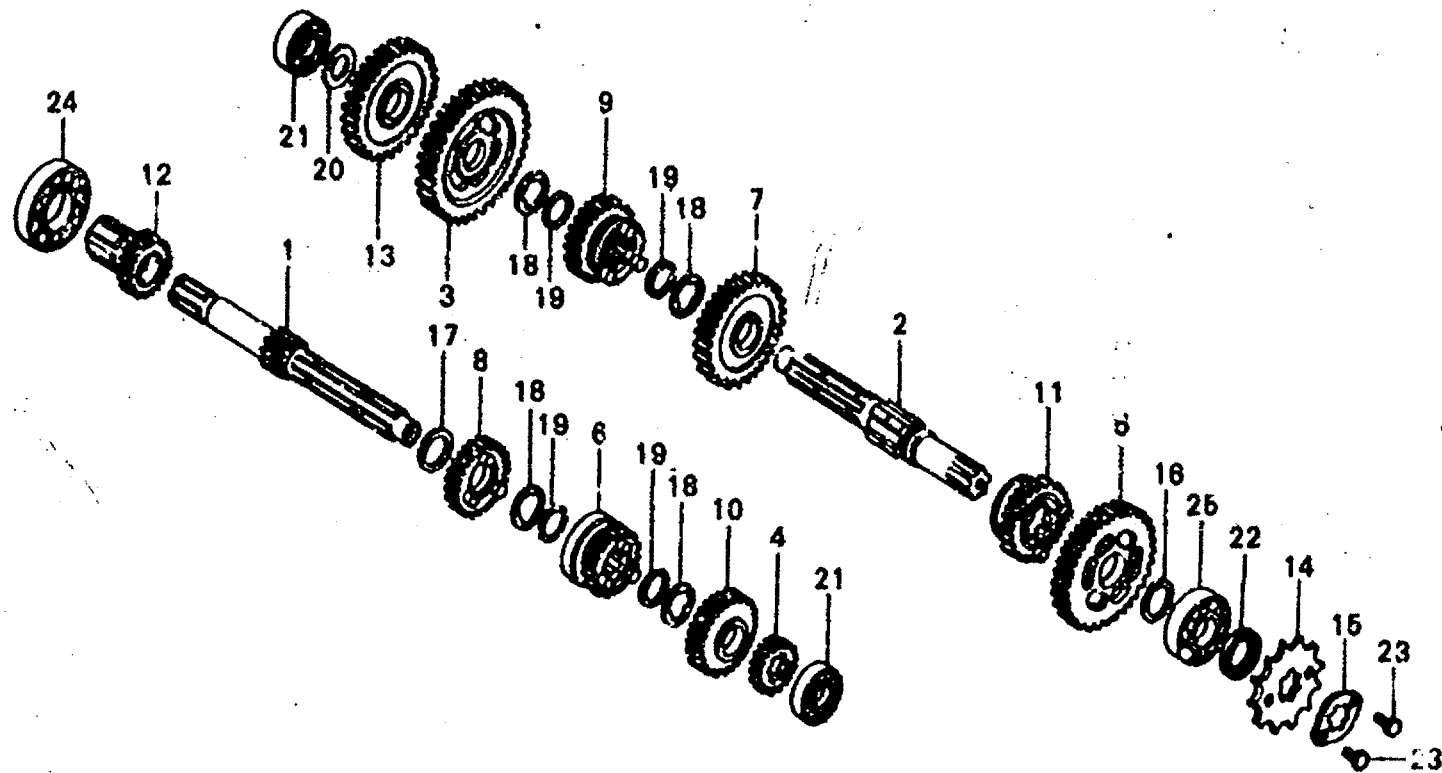
Pin clearance	YELLOW (+0.002 to +0.005)	WHITE (+0.005 to +0.008)	BLUE (+0.008 to +0.011)	RED (+0.011 to +0.014)	GREEN (+0.014 to +0.017)
Yellow (+0.002 to +0.005)		91101-149-000			
White (+0.005 to +0.008)	91101-149-000				
Blue (+0.008 to +0.011)		91101-149-000			
Red (+0.011 to +0.014)			91101-149-000		
Green (+0.014 to +0.017)				91101-149-000	

1978.09.20

K 13

E-10

Transmission



8153-3

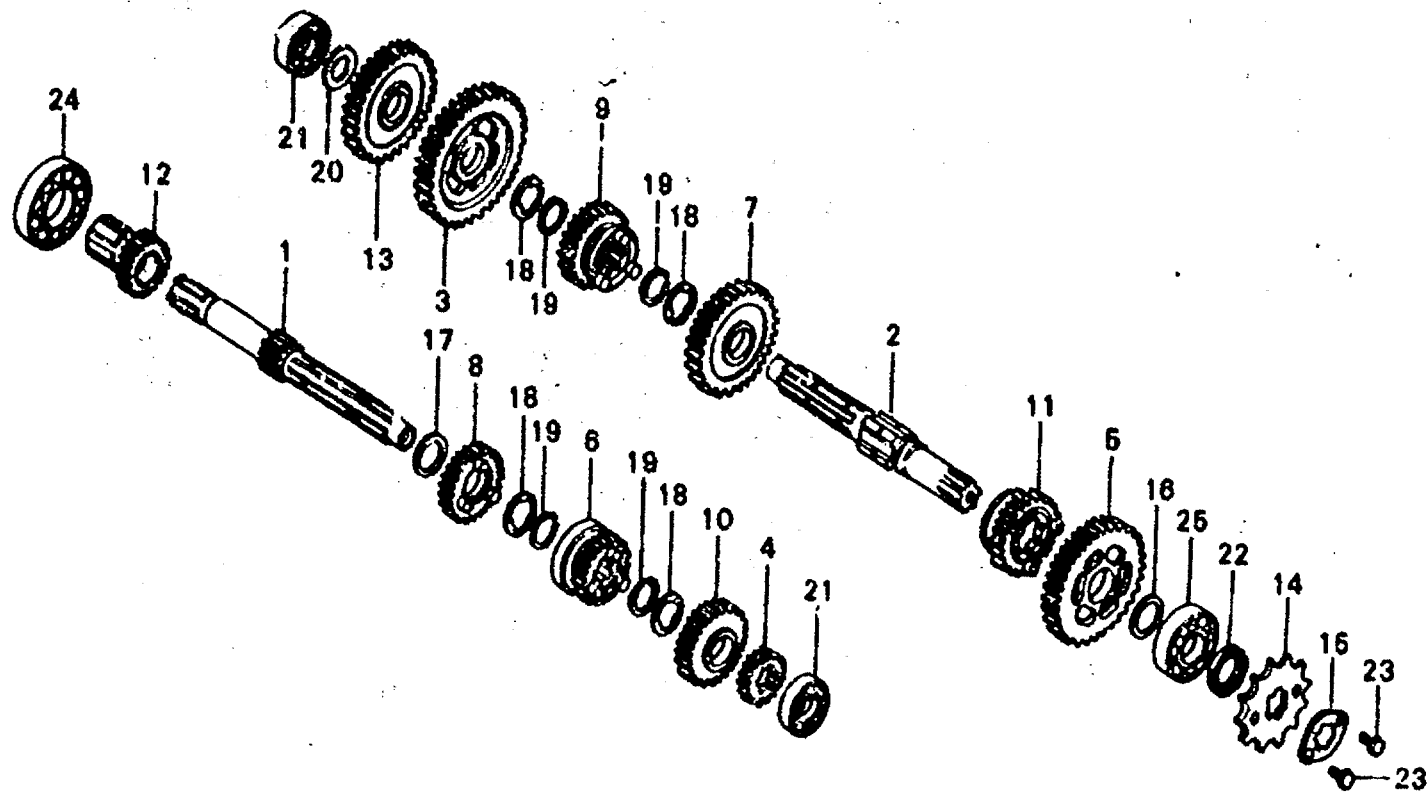
Service item	F.R.T.	Ref. No.	Part No.	Description	Regd. No. XR75 K4 K6	Serial No.	Area code
TRANSMISSION MAINSHAFT and its related parts	*3.3:	1	23211-153-000	MAINSHAFT, TRANSMISSION (13T)	1		
• TRANSMISSION COUNTERSHAFT and its related parts		2	23221-149-000	COUNTERSHAFT, TRANSMISSION	1		
• One motorcycle * 3.8 at transmission		3	23426-153-000	GEAR, COUNTERSHAFT LOW (35T)	1		
DRIVE SPROCKET	0.2		23426-153-010	GEAR, COUNTERSHAFT LOW (35T)	1	1521553	1321552
		4	23441-115-000	GEAR, MAINSHAFT SECOND (17T)	1		
		5	23451-153-000	GEAR, COUNTERSHAFT SECOND (31T)	1		
		6	23461-115-010	GEAR, MAINSHAFT THIRD (20T)	1		
		7	23471-115-020	GEAR, COUNTERSHAFT THIRD (28T)	1		
		8	23481-115-000	GEAR, MAINSHAFT FOURTH (23T)	1		
		9	23491-115-010	GEAR, COUNTERSHAFT FOURTH (26T)	1		
		10	23501-149-000	GEAR, MAINSHAFT TOP (25T)	1		
		11	23511-115-010	GEAR, COUNTERSHAFT TOP (24T)	1		
		12	23520-149-000	GEAR COMP., PRIMARY STARTER (19T)	1		
		13	23531-149-000	GEAR, STARTER IDLE (29T)	1		
		14	23900-116-010	SPROCKET, DRIVE (14T)	1		
		15	23802-040-000	PLATE, DRIVE SPROCKET FIXING	1		
		16	90452-115-000	WASHER, 17MM	1		
		17	90453-115-000	WASHER W. THRUST, 17MM	2		
		18	90461-115-000	WASHER, SPLINE, 17MM	4		
		19	90601-001-000	CIR CLIP, 17MM	4		
		20	90608-072-000	WASHER, 12MM	1		
		21	91601-115-000	BEARING, BALL, 6201Z	2		

1978.09.20

**K 14**

**E-10**

**Transmission**



B153-3

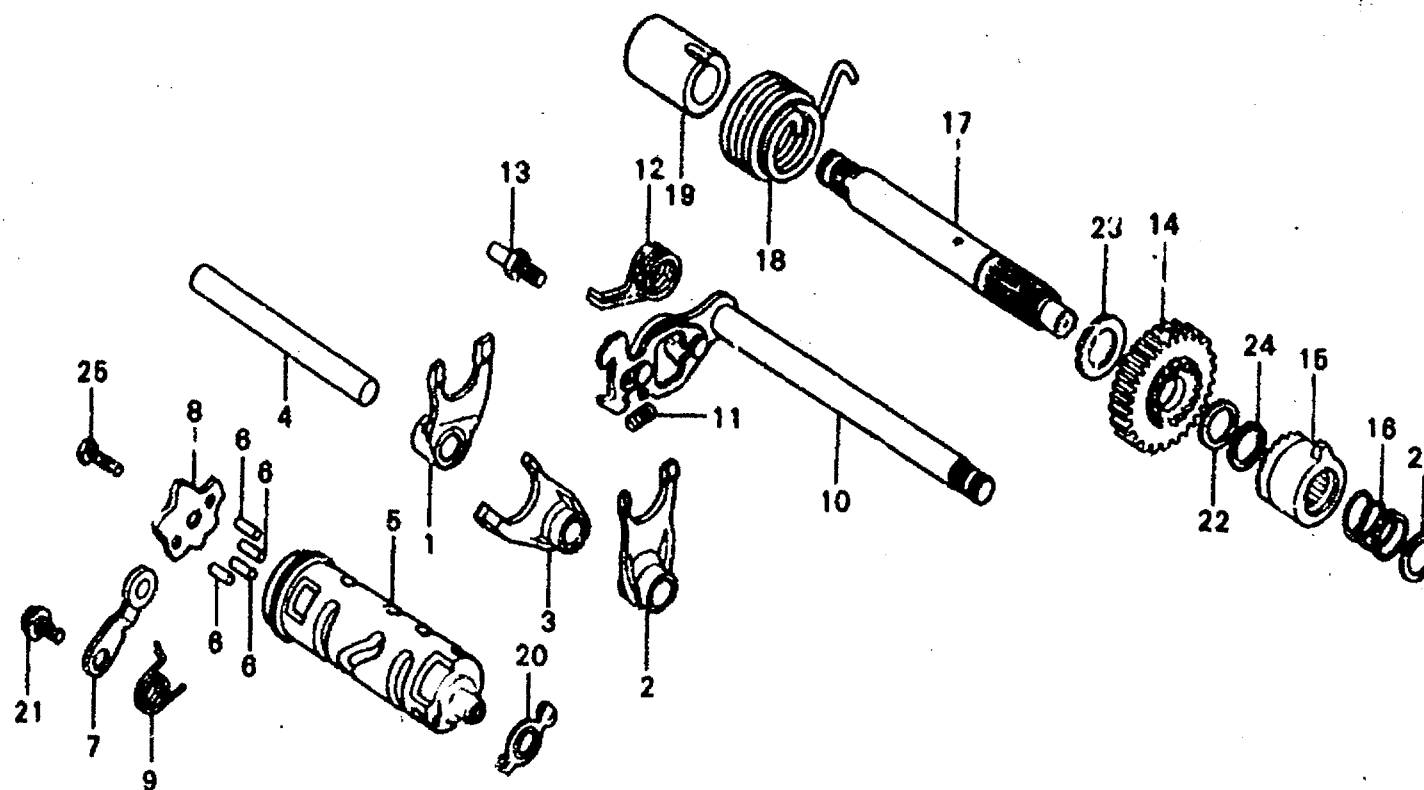
Service item	F.R.T.	Ref. No.	Part No.	Description	Head. No. XR75 K4 K6	Serial No.	Area code
		22	91203-035-005	OIL SEAL, 17X29X5	1 1		
		23	92000-06008	BOLT, HEX., 6X8	2 2		
		24	96100-60050	BEARING, RADIAL BALL, 6005	1 1		
		25	96100-62030	BEARING, RADIAL BALL, 6203	1 1		

1978.09.20

K 15

E-11

Shift fork • Shift drum •  
Kick spindle



6149-11

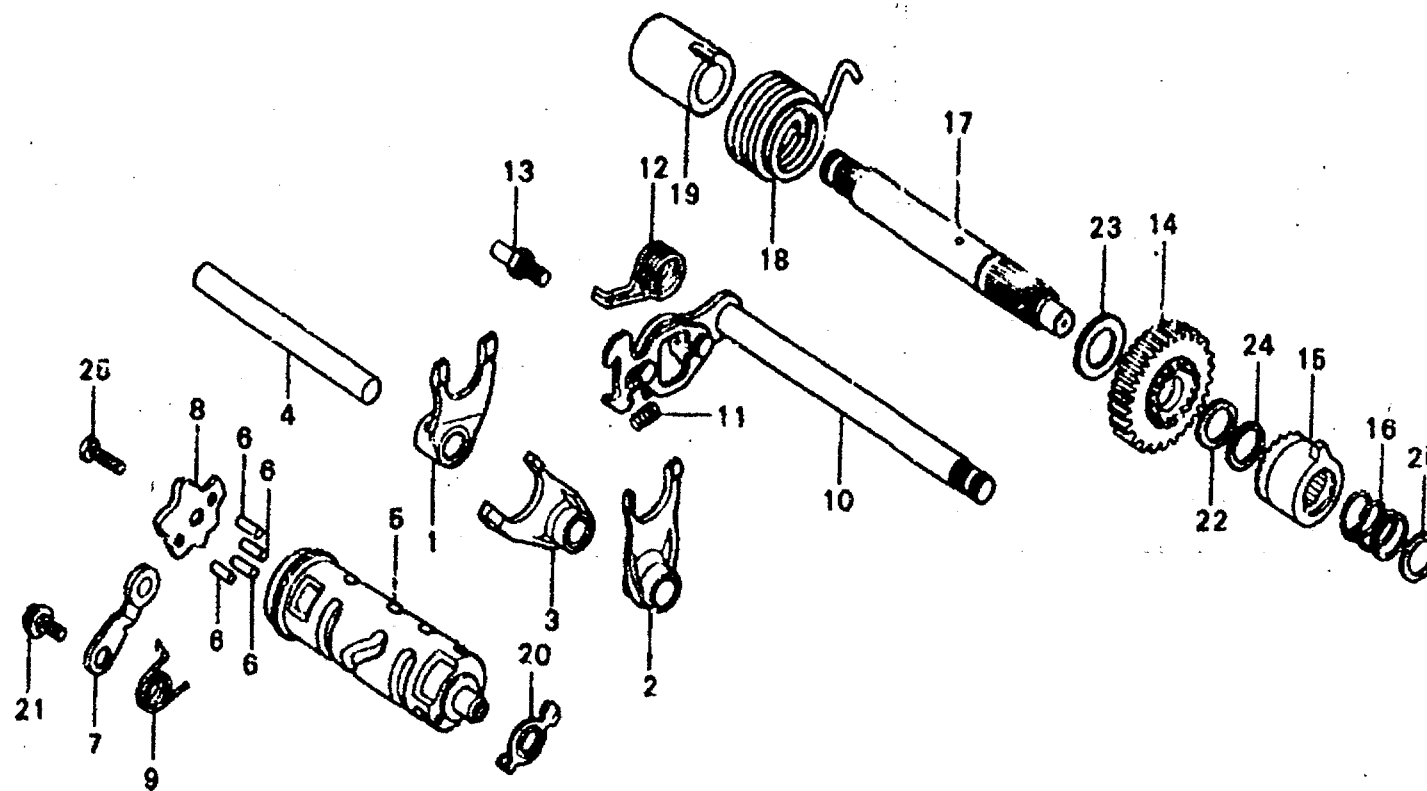
Service item	F.R.T.	Ref. No.	Part No.	Description	Reqd. No. XR75 K4 K6	Serial No.	Area code
GEAR SHIFT FORK/GEAR SHIFT DRUM and those related parts	3.3	1	24211-149-000	FORK, R. GEARSHIFT	1	1	
		2	24221-115-000	FORK, L. GEARSHIFT	1	1	
KICK STARTER SPINDLE and its related parts	3.2	3	24231-115-000	FORK, CENTER GEARSHIFT	1	1	
		4	24741-149-000	SHAFT, GEARSHIFT FORK GUIDE	1	1	
		5	24301-149-000	DRUM, GEARSHIFT	1	1	
GEAR SHIFT SPINDLE	0.7						
SHIFT DRUM STOPPER/DRUM STOPPER PLATE/GEAR SHIFT DRUM PIN	0.6		24421-200-000	PIN, GEARSHIFT DRUM	4	4	
		7	24430-115-010	STOPPER COMP., SHIFT DRUM	1	1	
		8	24435-115-020	PLATE, SHIFT DRUM STOPPER	1	1	
		9	24436-149-000	SPRING, SHIFT DRUM STOPPER	1	1	
GEAR SHIFT RETURN SPRING	0.5		24610-149-000	SPINDLE COMP., GEARSHIFT	1	1	
		11	24641-115-010	SPRING, GEARSHIFT ARM	1	1	
		12	24651-107-000	SPRING, GEARSHIFT RETURN	1	1	
		13	24652-135-000	PIN, SHIFT RETURN SPRING	1	1	
		14	28211-149-000	PINION, KICK STARTER (27T)	1	1	
		15	28221-149-000	RATCHET, STARTER DRIVE	1	1	
		16	28223-149-000	SPRING, RATCHET	1	1	
		17	28251-149-000	SPINDLE, KICK STARTER	1	1	
		18	28281-149-003	SPRING, KICK STARTER	1	1	
		19	28282-149-000	COLLAR, KICK SPRING	1	1	
		20	35753-115-000	ROTOR, NEUTRAL SWITCH (CHUO HATSUHO)	1	1	
		21	90023-041-000	BOLT, SHIFT DRUM STOPPER ARM PIVOT	1	1	
		22	90401-149-000	WASHER, 18MM	1	1	
		23	90452-701-000	WASHER, THRUST, 18MM	1	1	
		24	90601-149-000	CIR CLIP, 18MM	1	1	

1978.09.20

K 16

E-11

Shift fork • Shift drum •  
Kick spindle



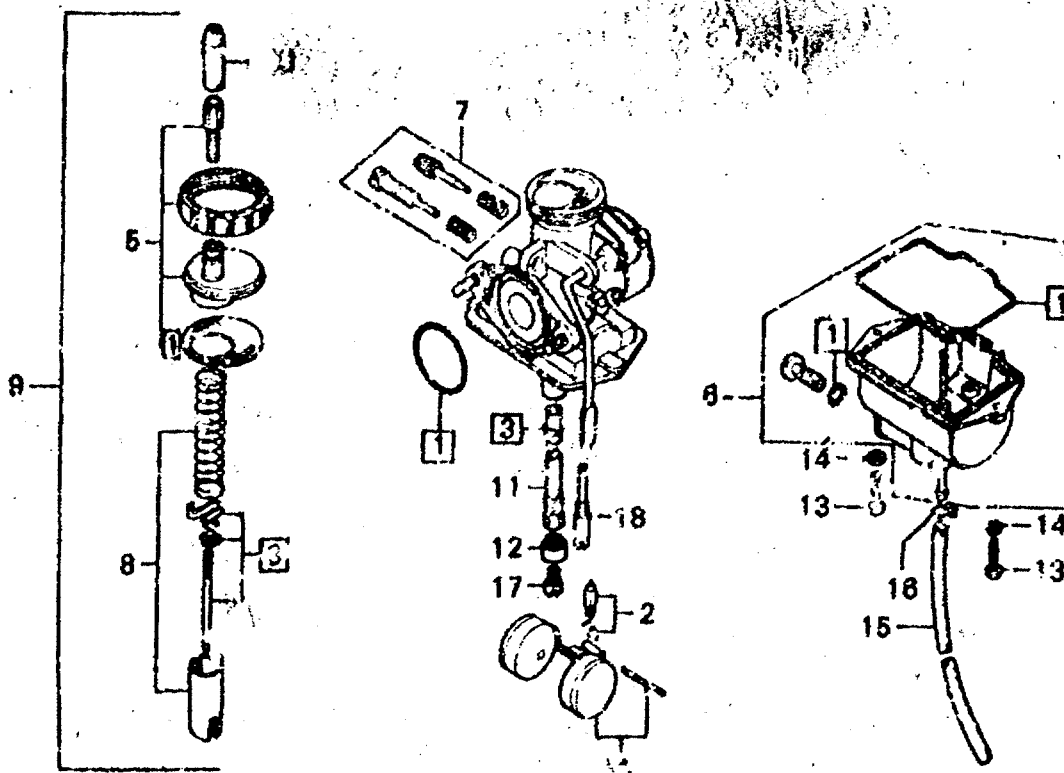
B149-11

Service item	F.R.T.	Ref. No.	Part No.	Description	Reqd. No. XR75 K4 K8	Serial No.	Area code
		25	92000-06016	BOLT, HEX., 6X5	1	1	
		26	94510-18120	CIR CLIP, EXTERNAL, 18	1	1	

L 1

E-12

Carburetor



B.60-1

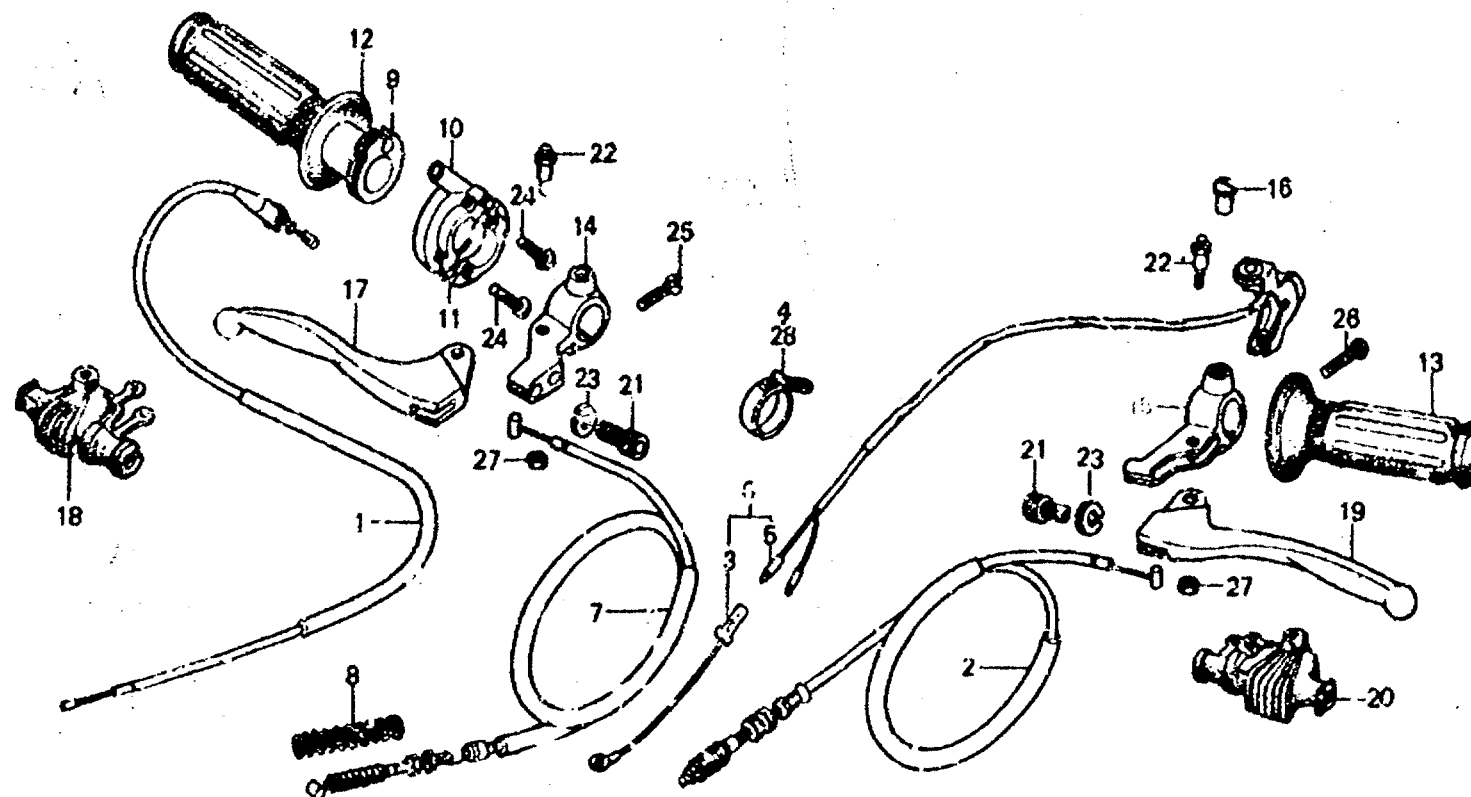
Service item	F.R.T.	Ref. No.	Part No.	Description	Ref. No. K4 K5	Serial	Area code
CARBURETOR ASSY.	0.3	1	16010-116-710	PACKING SET	1 1		
PACKING SET	0.8	2	16011-143-470	VALVE SET, FLOAT	1 1		
JET NEEDLE SET	0.5	3	16012-153-004	NEEDLE SET, JET	1 1		
FLOAT SET/FLOAT VALVE SET	0.4	4	16013-153-310	FLOAT SET	1 1		
• MAIN JET/SLOW JET		5	16014-153-700	TOP SET	1 1		
FLOAT CHAMBER	0.3	6	16015-153-004	CHAMBER SET, FLOAT	1 1		
THROTTLE VALVE SET	0.2	7	16016-143-620	SCREW SET	1 1		
• SCREW SET		8	16022-153-004	VALVE SET, THROTTLE	1 1		
TOP SET	0.1	9	16100-153-004	CARBURETOR ASSY.	1 1		
		10	16118-086-004	CAP, CABLE	1 1		
		11	16135-153-004	HOLDER, NEEDLE JET	1 1		
		12	16166-255-700	HOLDER, JET	1 1		
		13	95500-04012-0A	SCREW, PAN, 4X12	2 2		
		14	94111-04000	WASHER, SPRING, 4MM	2 2		
		15	95001-35309-40	TUBE, FUEL, 3.5X300	1 1		
		16	95002-02070	CLIP B7, TUBE	1 1		
		17	99101-116-0920	JET, MAIN, #92	1 1		
		18	99101-116-0350	JET, SLOW, #35	1 1		

1973.09.20

L 2

F-1

Handle lever - Cable - Switch



B153-4A

Service item	F.R.T.	Ref. No.	Part No.	Description	Reqd. No. XF75 K4 K6	Serial No.	Area code
THROTTLE CABLE	0.3	1	1-910-153-000	CABLE COMP., THROTTLE	1 1		
KILL SWITCH	0.2	2	22870-153-000	CABLE COMP., CLUTCH	1 1		
*CLUTCH CABLE		3	32111-153-600	SUB CORD	1	1501913	A CH
*FRONT BRAKE CABLE		4	32161-403-000	BAND B1, WIPE	1		
*THROTTLE GRIP PIPE/HOUSING UPPER CASE		5	35300-153-003	SWITCH ASSY., KILL	1		1501912 A
*HANDLE LEVER BRACKET		6	35300-153-305	SWITCH ASSY., KILL	1	1501913	A CH
HANDLE LEVER	0.1	7	45450-152-670	CABLE COMP., FR. BRAKE	1 1		
*HANDLE RUBBER		8	45454-360-010	SPRING, FR. BRAKE CABLE	1 1		
*THROTTLE HOUSING LOWER CASE		9	53141-153-000	PIPE, THROTTLE GRIP	1 1		
		10	53143-355-000	CASE, UPPER	1 1		
		11	53144-355-000	CASE, LOWER	1 1		
		12	53165-116-670	RUBBER, R. HANDLE	1		
			53165-400-770ZA	RUBBER, R. HANDLE *R-23*	1		
		13	53166-116-670	RUBBER, L. HANDLE	1		
			53166-400-770ZA	RUBBER, L. HANDLE *R-23*	1		
		14	53171-110-000	BRACKET, R. HANDLE LEVER	1 1		
		15	53172-110-000	BRACKET, L. HANDLE LEVER	1 1		
		16	53174-116-670	PLUG, HANDLE LEVER BRACKET	1 1		
		17	53175-149-000	LEVER COMP., R. STEERING	1 1		
		18	53176-029-000	COVER, R. STEERING HANDLE	1 1		
		19	53178-149-000	LEVER COMP., L. STEERING	1 1		
				HANDLE LEVER			
				HANDLE			

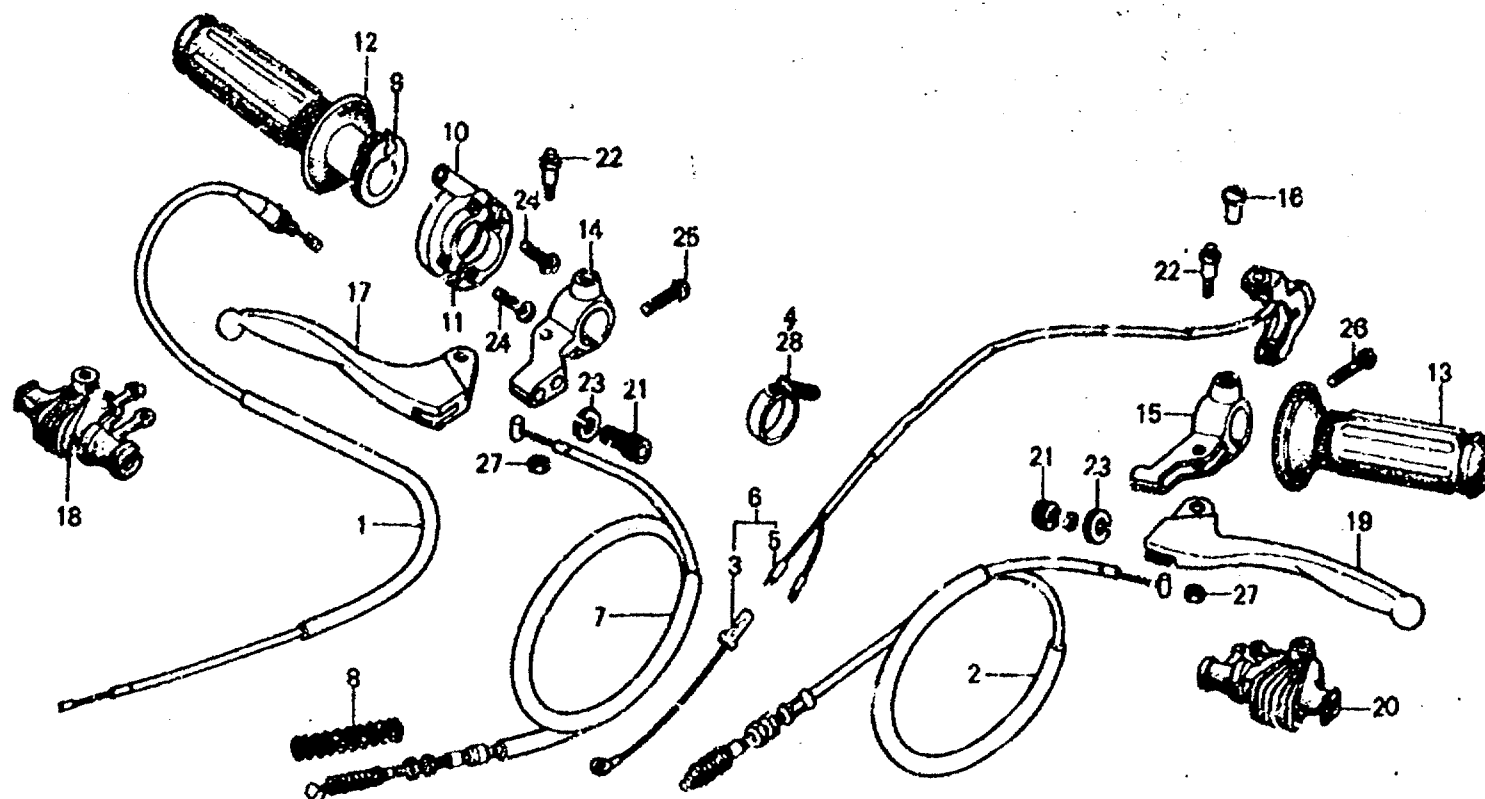
1978.09.20



L 3

F-1

Handle lever • Cable • Switch



B153-4A

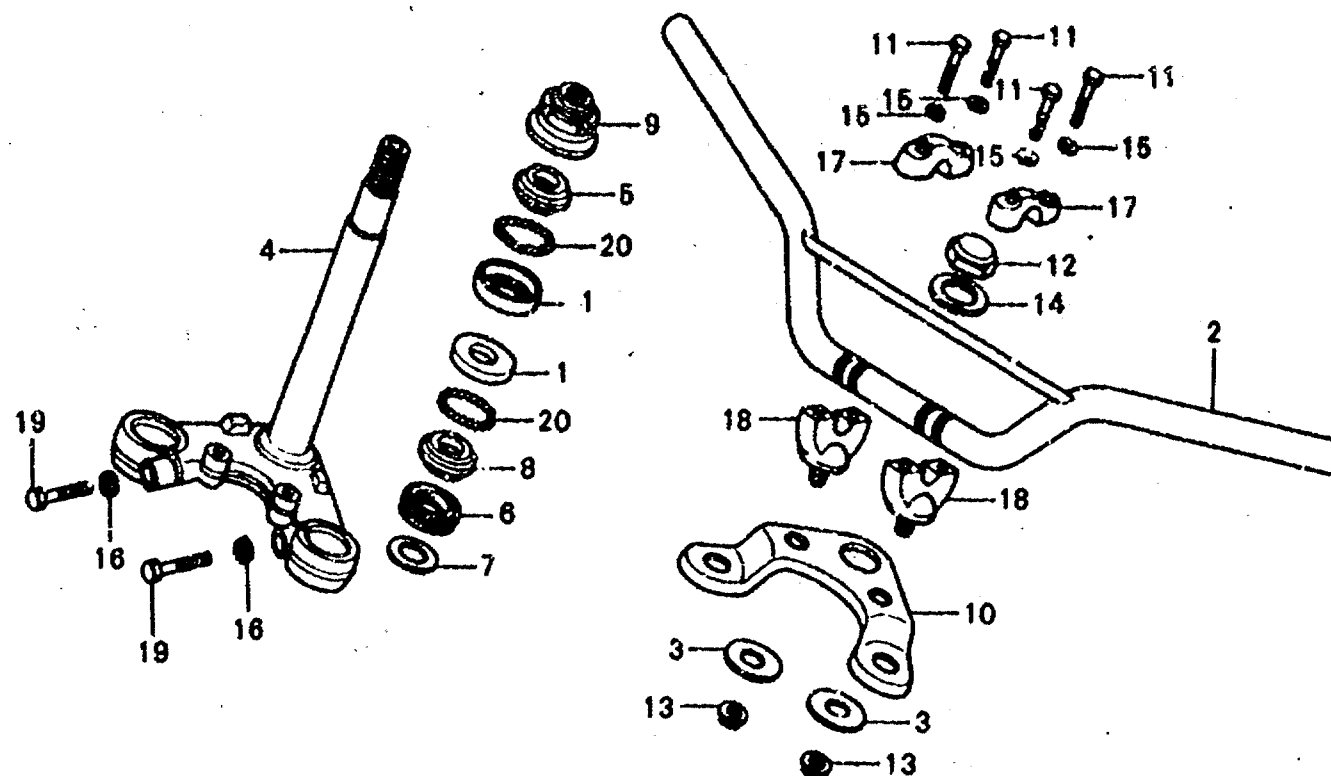
Service item	F.R.T.	Ref. No.	Part No.	Description	Req. No. XR75 K4 K5	Serial No.	Area code
		20	53179-329-000	COVER, L. STEERING HANDLE LEVER	1 1		
		21	53192-268-000	BOLT, CLUTCH WIRE ADJUSTING	2 2		
		22	90114-329-000	BOLT, HANDLE LEVER PIVOT	2 2		
		23	90321-315-670	NUT, FIXING	2 2		
		24	93500-05020-0A	SCREW, PAN, 5X20	2 2		
		25	93500-06025	SCREW, PAN, 6X25	1 1		
		26	93500-06128	SCREW, PAN, 6X28	1 1		
		27	94001-06000	NUT, HEX., 6MM	2 2		
		28	95014-62100	BAND 81, WIRE	1		

1978.09.20

L 4

F-2

Handle pipe •  
Top bridge • Stem



B153-5

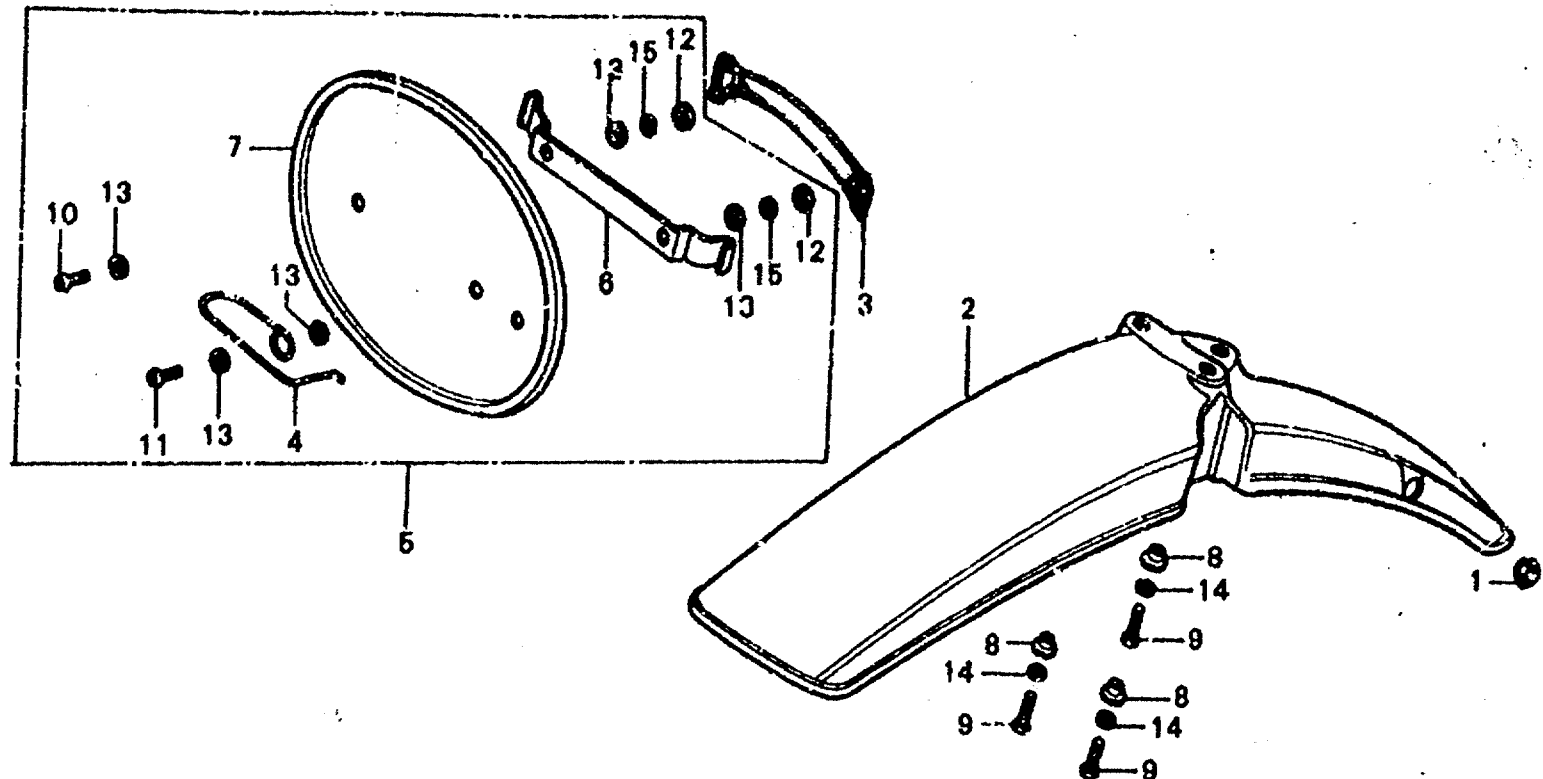
Service Item	F.R.T.	Ref. No.	Part No.	Description	Reqd. No. XR75 K4 K5	Serial No.	Area code
STEERING STEM and its related parts	0.9	1	50301-041-305	RACE, STEERING TOP BALL	2	2	
STEERING TOP BALL RACE	0.8	2	53100-153-000	PIPE, STEERING HANDLE	1	1	
• One or all			53100-153-600	PIPE, STEERING HANDLE	1	1	
FORK TOP BRIDGE	0.5	3	53135-028-000	SEAT, HANDLE CUSHION	2	2	
• TOP THREAD/TOP CONE RACE		4	53200-153-000ZA	STEM COMP., STEERING *NH-1*	1	1	
STEERING HANDLE PIPE	0.4	5	53211-028-305	RACE, STEERING TOP CONE	1	1	
HANDLE UNDER HOLDER	0.2	6	53214-001-010	DUST SEAL, STEERING HEAD	1	1	
		7	53215-001-000	WASHER, STEERING HEAD DUST SEAL	1	1	
		8	53217-030-305	RACE, STEERING BOTTOM CONE	1	1	
		9	53220-098-670	THREAD COMP., STEERING HANDLE	1	1	
		10	53231-116-670CT	BRIDGE, FR. FORK TOP	1	1	
		11	90117-065-000	BOLT, HEX., 6X28	4	4	
		12	90304-153-000	NUT, STEERING STEM	1	1	
		13	90354-115-000	NUT, HEX., 10MM	2	2	
		14	90503-153-000	WASHER, STEERING STEM	1	1	
		15	94101-06000	WASHER, PLAIN, 6MM	4	4	
		16	94101-08000	WASHER, PLAIN, 8MM	2	2	
		17	95014-21200	HOLDER A2, HANDLE PIPE UPPER	2	2	
		18	95014-32200	HOLDER B2, HANDLE PIPE UNDER	2	2	
		19	95300-08035-00	BOLT, HEX., 8X35	2	2	
		20	96211-06000	BALL, STEEL, #6 (3/16)	42	42	

1978.09.20

L 5

F-3

Front fender - Number plate



B153-6

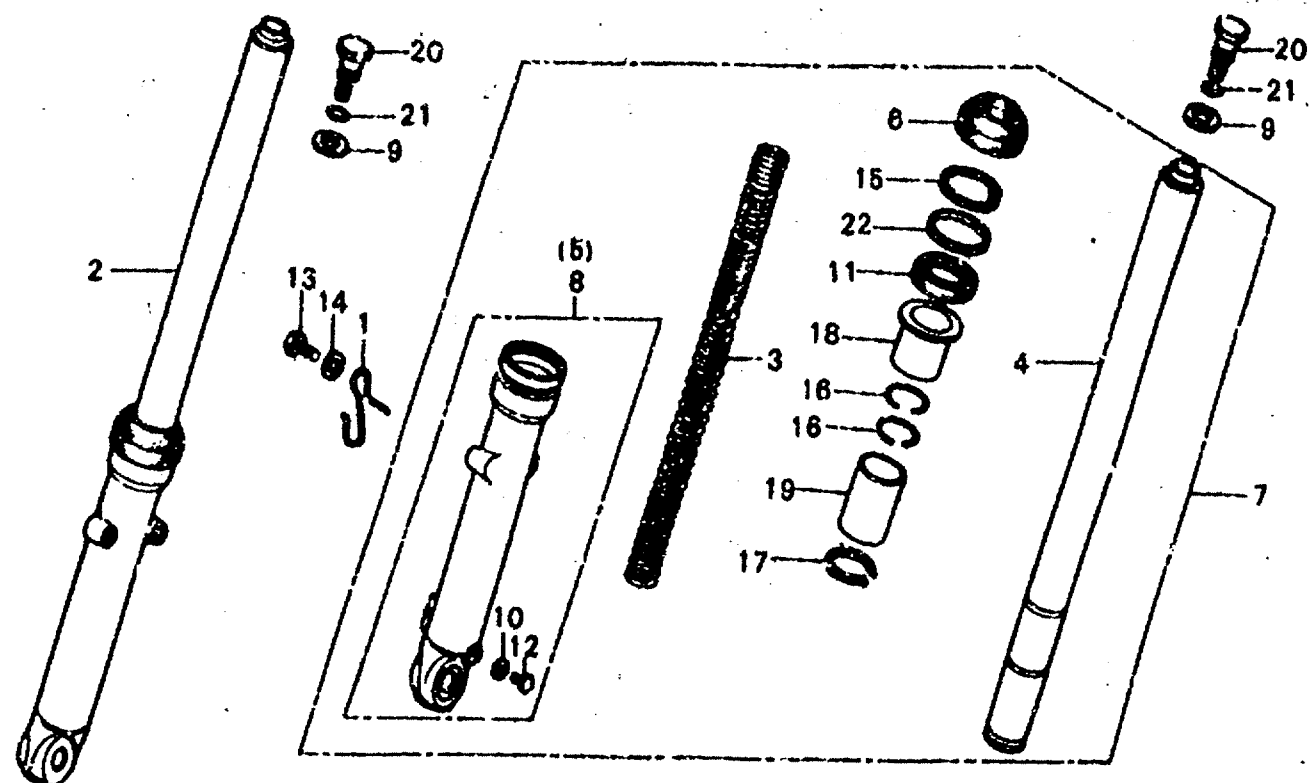
Service item	F.R.T.	Ref. No.	Part No.	Description	Reqd. No. XR75 K4 K6	Serial No.	Area code		
FRONT FENDER •FRONT NUMBER PLATE and its related parts	0.1	1	50318-041-600	PLUG, USELESS HOLE	1	1			
		2	61100-152-670ZB	FENDER COMP., FR. *R-23*	1	1			
		3	61133-131-000	BAND, FR. NUMBER PLATE	1	1			
		4	61138-357-000	GUIDE, CABLE	1	1			
		5	64110-131-000ZA	PLATE ASSY., FR. NUMBER	1				
					*NH-24*				
				64110-131-000ZB	PLATE ASSY., FR. NUMBER *R-23*	1			
		6	64111-131-000	STAY, FR. NUMBER PLATE	1	1			
		7	64113-116-690VF	PLATE, FR. NUMBER	1				
				64113-116-690ZA	PLATE, FR. NUMBER *R-23*	1			
		8	90522-028-000	WASHER, CHAIN CASE SETTING	3	3			
		9	92000-06012	BOLT, HEX., 6X12	3	3			
		10	91500-05012-0A	SCREW, PAN, 5X12	1	1			
				11	93700-05016-0A	SCREW, PAN, 5X16	1	1	
				12	94102-05000-05	NUT, HEX., 5MM	2	2	
		13	94111-05000	WASHER, PLAIN, 5MM	5	5			
		14	94101-06000	WASHER, PLAIN, 6MM	3	3			
		15	94111-05000	WASHER, SPRING, 5MM	2	2			

1978.09.20

L 6

F-4

Front fork



8153-7

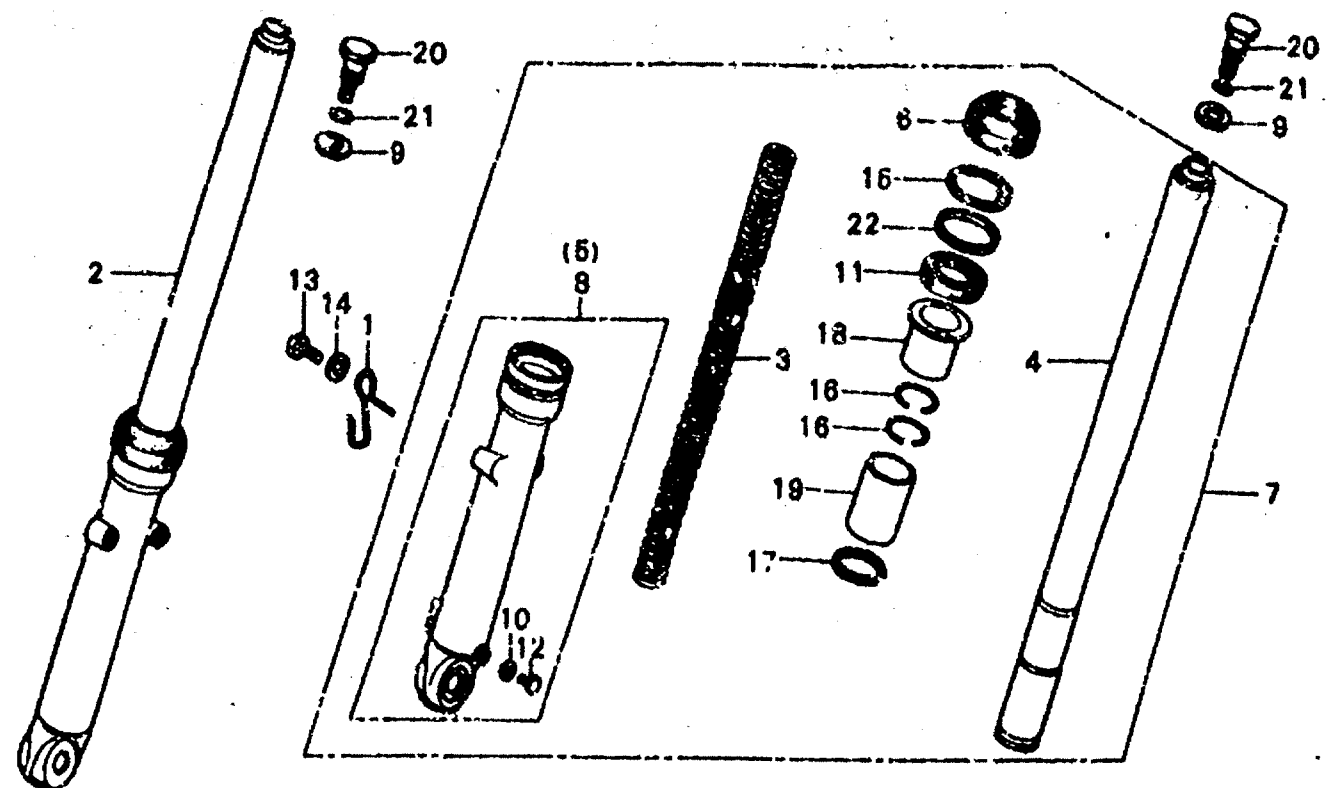
Service item	F.R.T.	Ref. No.	Part No.	Description	Regd. No. XR75 K4 K5	Serial No.	Area code
FRONT FORK PIPE/BOTTOM CASE and those related parts	0.7	1	45469-364-670	CLIP, FR. BRAKE CABLE	1 1		
		2	51400-153-003ZA	FORK ASSY., R. FR. *NH-1*	1		
			51400-153-003ZB	FORK ASSY., R. FR. *NH-35H*	1		
FRONT FORK ASSY	0.4	3	51401-153-003	SPRING, FR. CUSHION	2 2		
		4	51410-153-003	PIPE COMP., FR.	2 2		
FRONT FORK BOLT	0.1	5	51420-153-003ZA	CASE COMP., R. FR. FORK BOTTOM *NH-1*	1		
			51420-153-003ZB	CASE COMP., R. FR. FORK BOTTOM *NH-35H*	1		
		6	51425-118-013	DUST SEAL, FR. FORK (ARAI)	2 2		
		7	51500-153-003ZA	FORK ASSY., L. FR. *NH-1*	1		
			51500-153-003ZB	FORK ASSY., L. FR. *NH-35H*	1		
		8	51520-153-003ZA	CASE COMP., L. FR. FORK BOTTOM *NH-1*	1		
			51520-153-003ZB	CASE COMP., L. FR. FORK BOTTOM *NH-35H*	1		
		9	90516-153-000	WASHER, FORK BOLT	2 2		
		10	90543-273-000	PACKING, FR. FORK DRAIN COCK	2 2		
		11	90756-118-003	OIL SEAL, FR. FORK, 27X39X10.5 (SHOWA)	2 2		
		12	92000-06008	BOLT, HEX., 6X8	2 2		
		13	92000-06012	BOLT, HEX., 6X12	1 1		
		14	94101-06000	WASHER, PLAIN, 6MM	1 1		
		15	94521-40000	CIR CLIP, INTERNAL, 40	2 2		
		16	94570-27000	RING A, SNAP, 27MM	4 4		
		17	94580-27000	RING B, SNAP, 27MM	2 2		
		18	94602-27101	GUIDE, FORK PIPE, 27MM	2 2		

1978.09.20

**L 7**

**F-4**

**Front fork**



8153-7

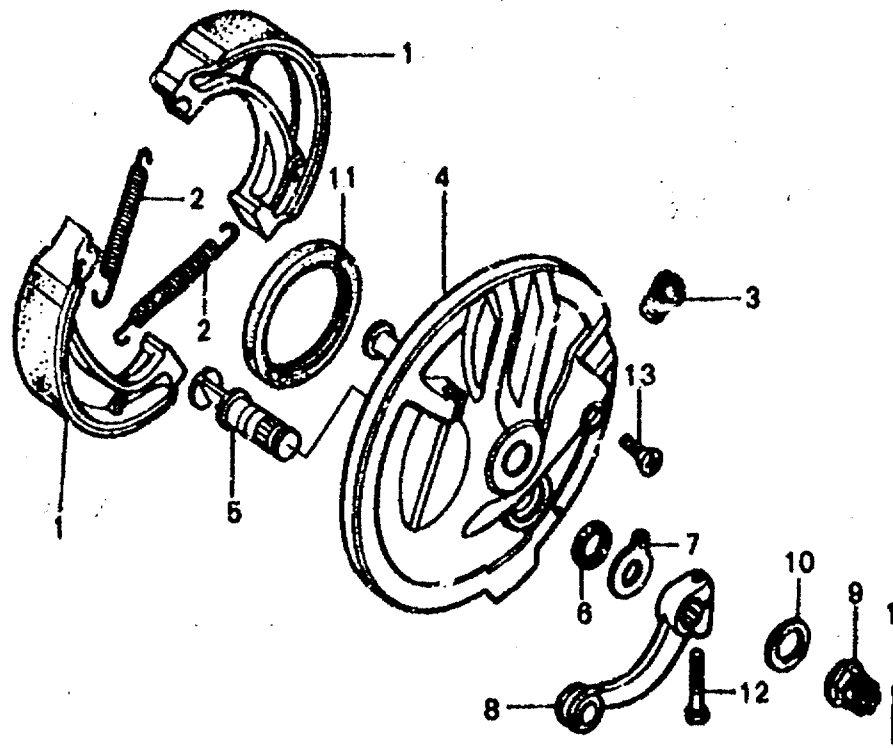
Service Item	F.R.T.	Ref. No.	Part No.	Description	Regd. No. XR7B K4 K5	Serial No.	Area code
		19	94603-27002	PISTON, FORK, 27MM	2	2	
		20	94605-10101	BOLT A, FORK	2	2	
		21	94608-10000	O-RING, 8.4X2.4	2	2	
		22	94609-30000	RING, BACK UP, 30MM	2	2	

1978.09.20

L 8

F-5

Front brake panel



8153-8

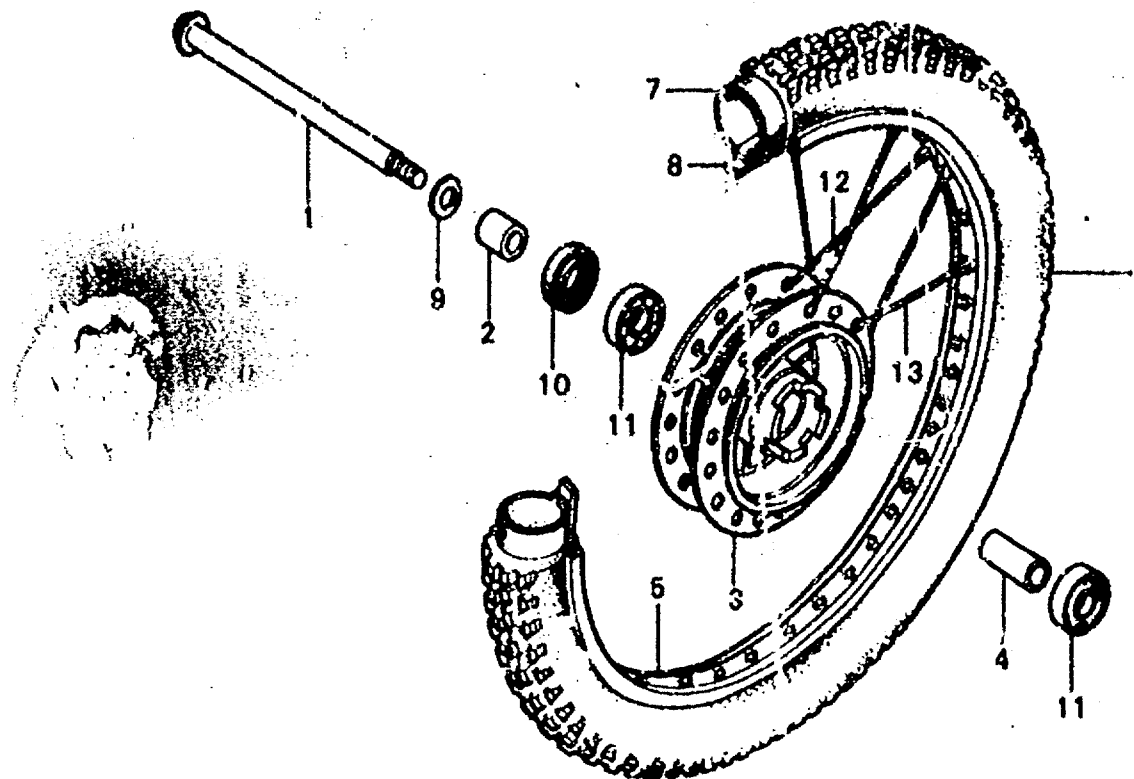
Service item	F.R.T.	Ref. No.	Part No.	Description	Reqd. No. XR78 K4 K5	Serial No.	Area code
FRONT BRAKE PANEL and its related parts	0.4	1	43120-331-670	SHOE COMP., RR. BRAKE	2	1403046	
FRONT BRAKE ARM and its related parts	0.1		43120-096-631	SHOE COMP., BRAKE (NIPPON)	2	1403047	
			45120-096-651	SHOE COMP., BRAKE (ASAHI)	2	1403047	
		2	43151-110-000	SPRING, BRAKE SHOE	2	1403046	
			45133-028-000	SPRING, BRAKE SHOE	2	1403047	
		3	44835-365-670	CAP, GEAR BOX HOLE	1		
		4	45100-153-003	PANEL COMP., FR. BRAKE	1		
			45100-153-600ZA	PANEL COMP., FR. BRAKE "A-01"	1		
		5	45131-400-000	CAM, FR. BRAKE	1		
		6	45134-250-000	DUST SEAL, BRAKE CAM	1		
		7	45145-400-000	INDICATOR, FR. BRAKE	1		
		8	45410-400-000	ARM, FR. BRAKE	1		
		9	90305-051-000	NUT, RR, AXLE	1		
		10	90528-229-000	WASHER, 12.5MM	1		
		11	91251-121-000	OIL SEAL, 47X60X7	1	1538302	
			91251-121-003	OIL SEAL, 47X60X7	1	1538303	
			91351-361-005	OIL SEAL, 47X60X7	1	1520001	
		12	92000-06025	BOLT, HEX., 6X25	1		
		13	93700-03018-0A	SCREW, OVAL, 5X10	1		
		14	94201-30250	PIN, SPLIT, 3.0X25	1		

1978.09.20

L 9

F-6

Front wheel



B101-R

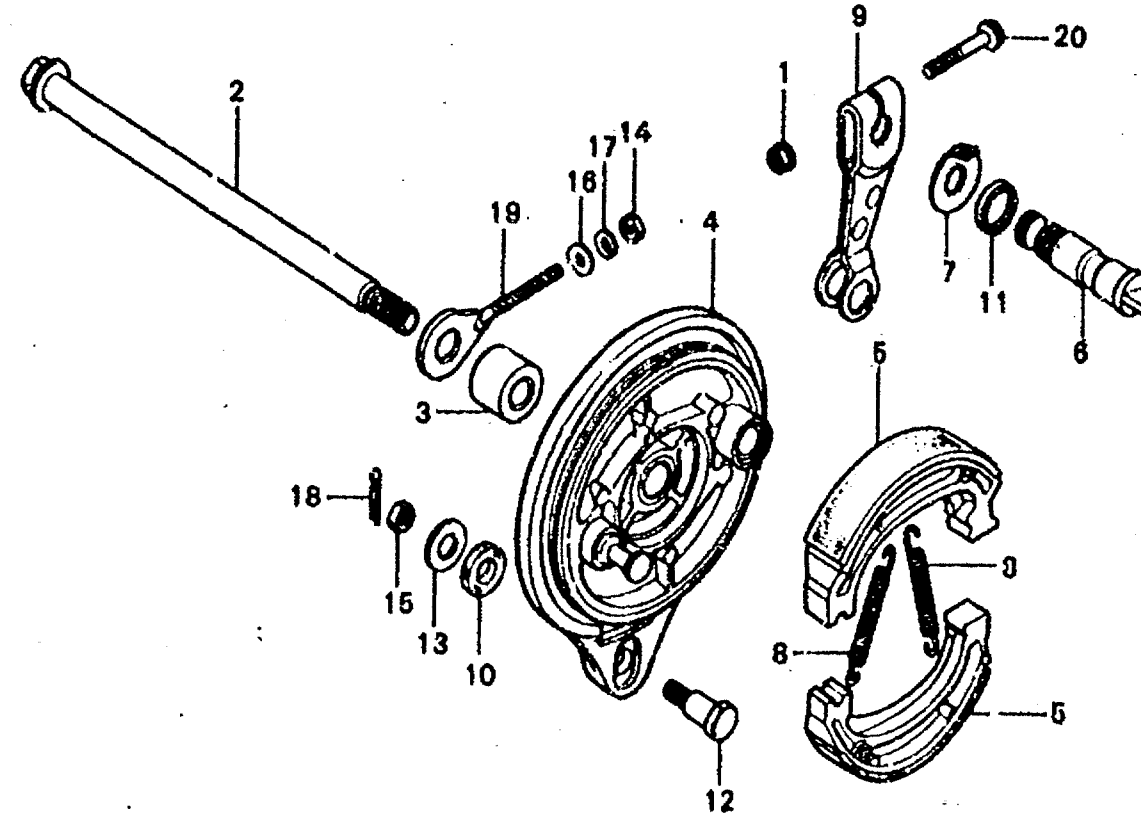
Service item	F.R.T.	Ref. No.	Part No.	Description	Reqd. No. XR76 K4 K5	Serial No.	Area code
FRONT WHEEL HUB	2.6	1	44301-107-000	AXLE, FR. WHEEL	1		
FRONT WHEEL RIM	2.2	2	44311-229-000	COLLAR, FR. WHEEL SIDE	1		
FRONT WHEEL TIRE/TURF/TIRE FLAP	0.8	3	44601-150-000	HUB, FR. WHEEL	1		
FRONT DISTANCE COLLAR/BALL BEARING	0.4	4	44601-153-600ZA	HUB, FR. WHEEL *A-01*	1		
*Add 0.2 at ball bearing		4	44620-400-000	COLLAR, FR. AXLE DISTANCE	1		
OIL SEAL	0.3	5	44701-118-013	RIM, FR. WHEEL (DAIDO)	1		
FRONT WHEEL AXLE and its related parts	1.2		44701-152-711	RIM, FR. WHEEL (1.40X16 DAIDO)	1	1526983	1526984
		6	44711-116-671	TIRE, FR. WHEEL (2.50-16 INQUE)	1		
		7	44712-116-671	TUBE, FR. WHEEL (2.50-16 INQUE)	1		
		8	44713-116-671	FLAP, FR. TUBE (16 INQUE)	1		
		9	90528-229-000	WASHER, 12.5MM	1		
		10	90755-229-003	OIL SEAL, 21X37X7	1		
			90753-229-005	OIL SEAL, 21X37X7	1		
		11	96140-63010-10	BEARING, RADIAL BALL, 6301U	2		
		12	97228-31134-10	SPOKE A, 11X147 (INSIDE)	18		
		13	97604-31133-10	SPOKE A, 11X146.5 (OUTSIDE)	18		

1978.09.20

**L 10**

**F-7**

**Rear brake panel**



3149-21

Service item	F.R.T.	Ref. No.	Part No.	Description	Regd. No. XR75 K4 K5	Serial No.	Area code
REAR BRAKE PANEL and its related parts	0.4	1	18362-720-000	NUT, FLANGE, 6MM	1		
REAR WHEEL AXLE/R. CHAIN ADJUSTER	0.3	2	42301-041-030	AXLE, RR. WHEEL	1		
REAR BRAKE ARM and its related parts	0.1	3	42313-149-000	COLLAR, RR. BRAKE PANEL SIDE	1		
		4	43100-153-000	PANEL COMP., RR. BRAKE	1		
			43100-153-600ZA	PANEL COMP., RR. BRAKE "A-01"	1		
		5	43120-331-670	SHOE COMP., RR. BRAKE	2		1403046
			45120-096-651	SHOE COMP., BRAKE (NIPPON)	2	1403047	
			45120-096-652	SHOE COMP., BRAKE (ASAHI)	2	1403047	
			43120-365-671	SHOE COMP., BRAKE (NIPPON)	2		
			43120-65-672	SHOE COMP., BRAKE (ASAHI)	2		
		6	43141-400-000	CAM, RR. BRAKE	1		
		7	43145-149-000	INDICATOR, RR. BRAKE	1		
		8	43151-110-000	SPRING, BRAKE SHOE	2		1403046
			45133-028-000	SPRING, BRAKE SHOE	2	1403047	
			43151-110-000	SPRING, BRAKE SHOE	2		
		9	43410-149-000	ARM, RR. BRAKE	1		
		10	43434-286-000	RUBBER, STOPPER ARM CUSHION	1		
		11	45134-250-000	DUST SEAL, BRAKE CAM	1		
		12	90127-400-000	BOLT, RR. BRAKE STOPPER	1		
		13	90524-030-000	WASHER A, HANDLE HOLDER	1		
				SETTING			
		14	94001-06000	NUT, HEX., 6MM	1		
		15	94001-08000-05	NUT, HEX., 8MM	1		
		16	94101-06000	WASHER, PLAIN, 6MM	1		
		17	94111-06000	WASHER, SPRING, 6MM	1		
		18	94201-20150	PIN, SPLIT, 2.0X15	1		
		19	95014-10010	ADJUSTER S, R. CHAIN	1		
		20	95700-04032-00	BOLT, FLANGE, 6X32	1		

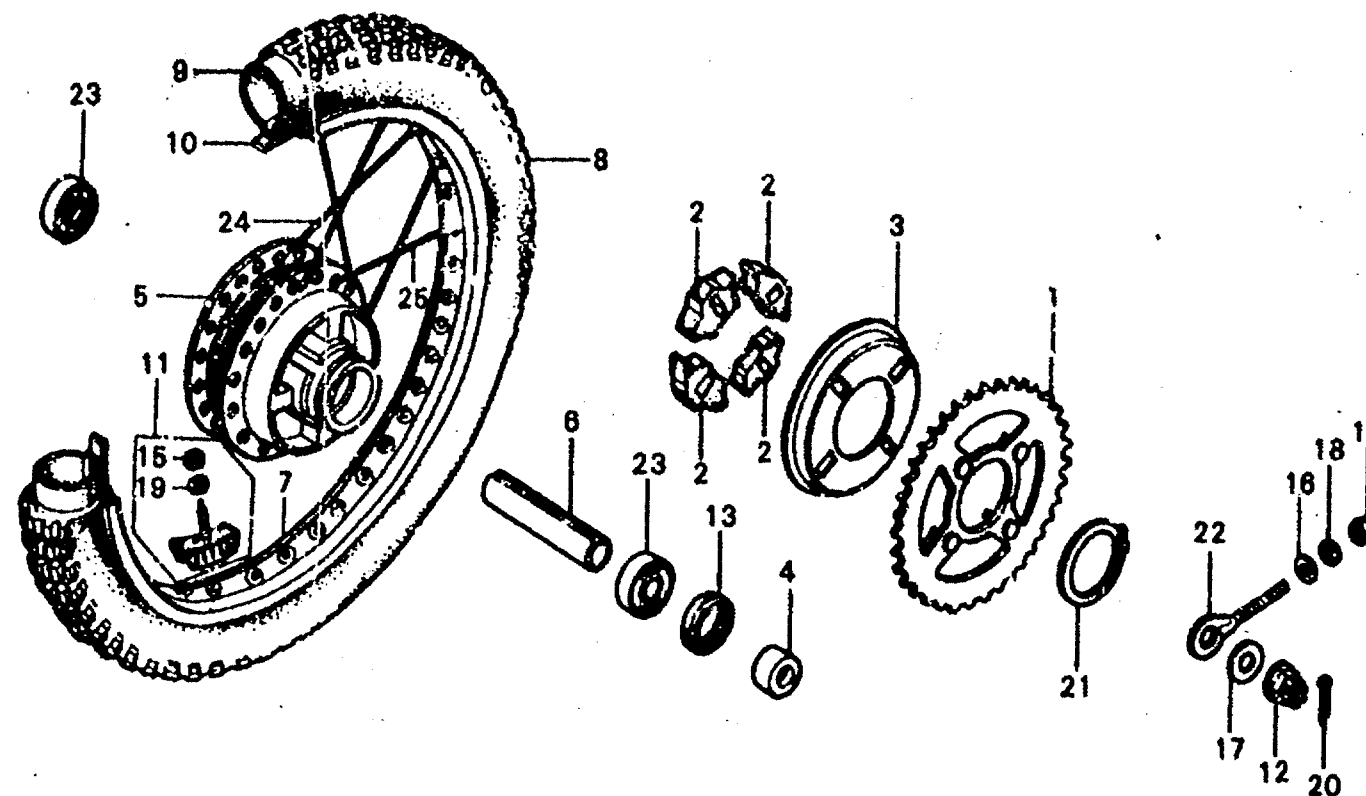
1978.09.20



L 11

F-8

Rear wheel



8153-9

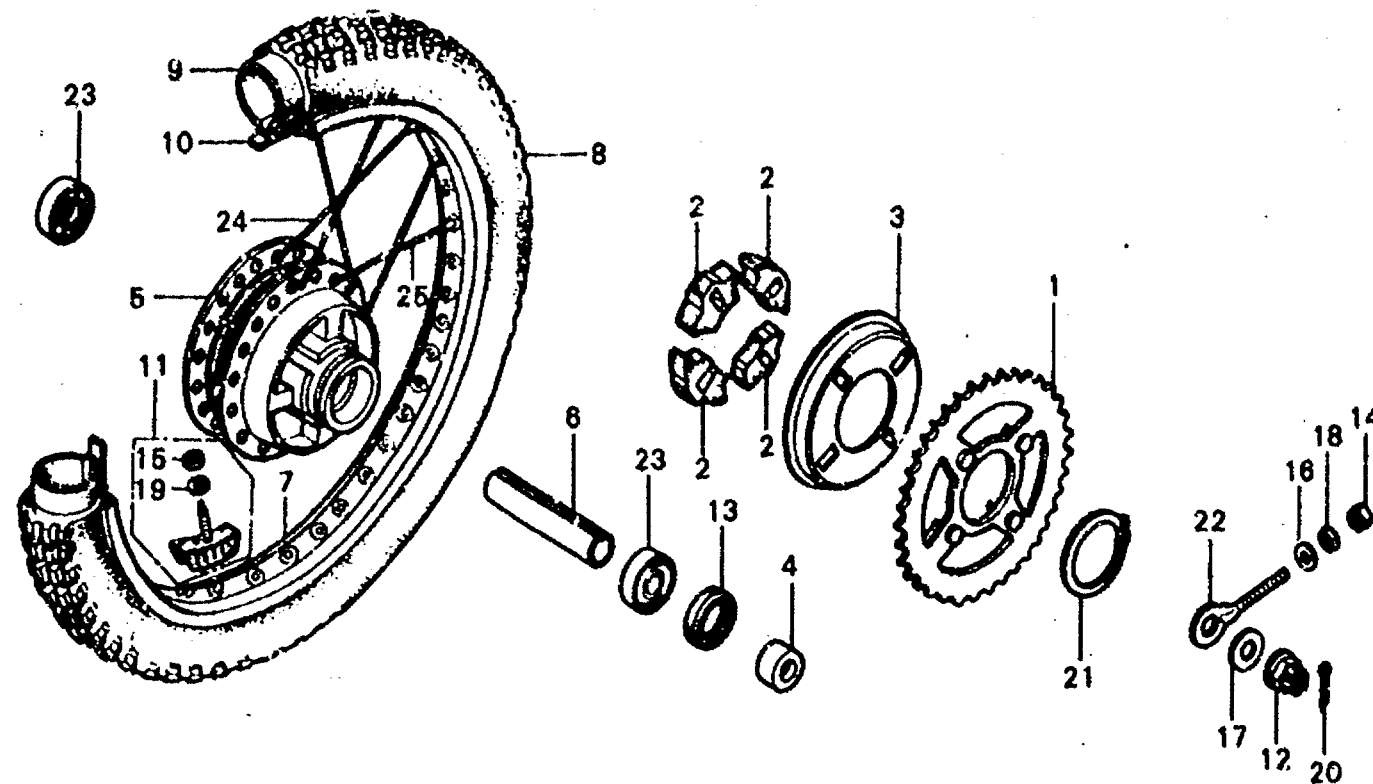
Service item	F.R.T.	Ref. No.	Part No.	Description	Reqd. No. XR75 K4 K6	Serial No.	Area code
REAR WHEEL HUB	2.7	1	41201-153-000	SPROCKET, FINAL DRIVEN (46T)	1	1	
REAR WHEEL RIM	2.3	2	41241-051-000	DAMPER, RR. WHEEL	4	4	
REAR WHEEL TIRE/TUBE/TIRE FLAP	1.0	3	41245-051-000	COVER, RR. WHEEL DAMPER	1	1	
L BALL BEARING	0.5	4	42304-051-000	COLLAR, RR. WHEEL SIDE	1	1	
*One motorcycle 0.6		5	42601-149-000	HUB, RR. WHEEL	1		
REAR WHEEL DAMPER	0.4		42601-153-600ZA	HUB, RR. WHEEL *A-01*	1		
*OIL SEAL		6	42620-051-000	COLLAR, RR. AXLE DISTANCE	1	1	
*R. BALL BEARING/DISTANCE COLLAR		7	42701-116-671	RIM, RR. WHEEL (1.60X14 DAIDO)	1	1	
FINAL DRIVEN SPROCKET	0.3	8	42711-116-672	TIRE, RR. WHEEL (3.00-14 INCH)	1	1	
		9	42712-116-672	TUBE, RR. WHEEL	1	1	
		10	42713-116-671	FLAP, RR. TUBE (14 INCH)	1	1	
		11	42715-116-671	STOPPER, RR. WHEEL TIRE BEAD (1.60A)	1	1	
		12	90305-051-000	NUT, RR. AXLE	1	1	
		13	90753-051-003	OIL SEAL, 26X37X6	1	1	
			90753-051-005	OIL SEAL, 26X37X6	1	1	
		14	94001-06000	NUT, HEX., 6MM	1	1	
		15	94001-08020-05	NUT, HEX., 8MM	1	1	
		16	94101-06000	WASHER, PLAIN, 6MM	1	1	
		17	94101-12000	WASHER, PLAIN, 12MM	1	1	
		18	94111-06000	WASHER, SPRING, 6MM	1	1	
		19	94111-08000	WASHER, SPRING, 8MM	1	1	
		20	94201-30230	PIN, SPLI., 3.0X25	1	1	
		21	94511-50000	CIR CLIP, EXTERNAL, 50	1	1	
		22	95014-10010	ADJUSTER S, R. CHAIN	1	1	

1978.09.20

L 12

F-8

Rear wheel



B153-9

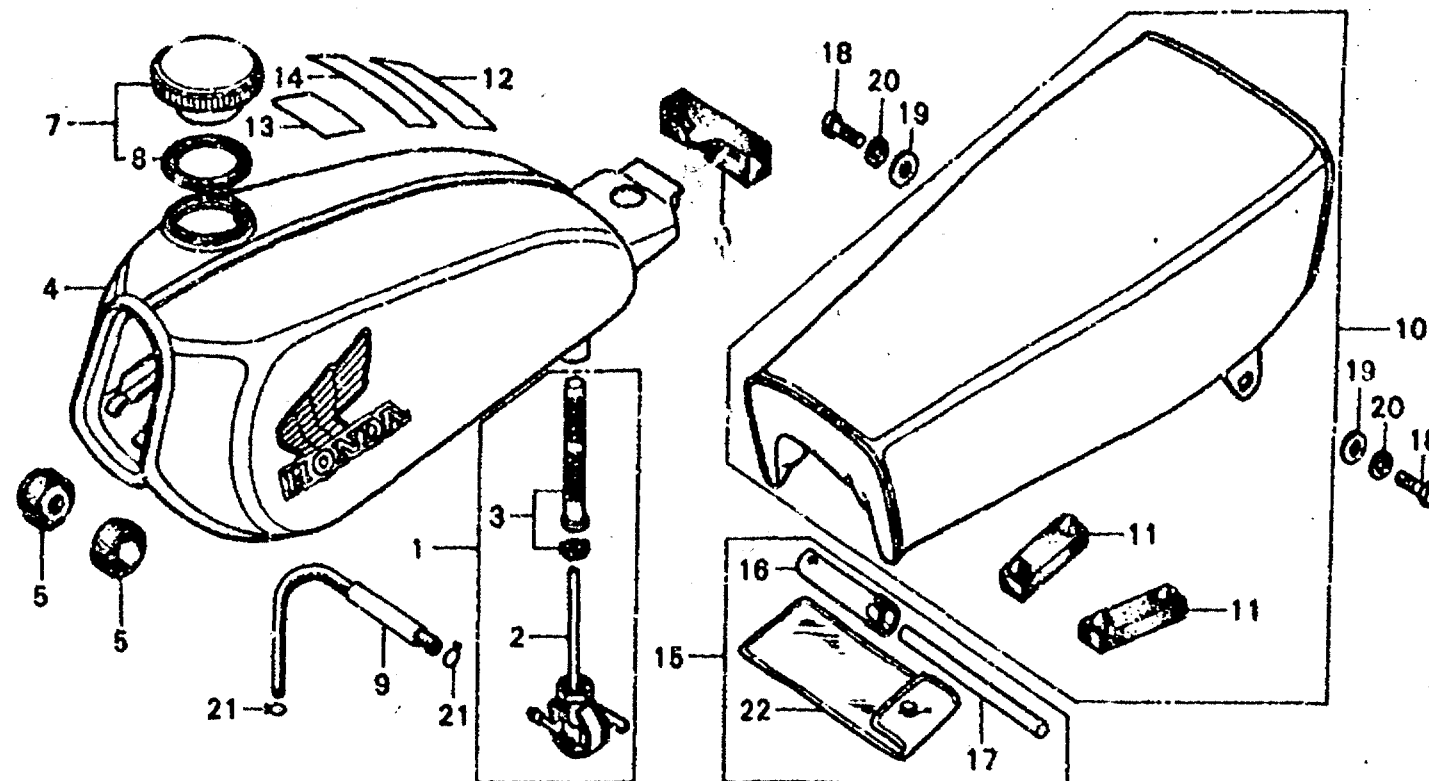
Service item	F.R.T.	Ref. No.	Part No.	Description	Regd. No. XR75 K4 K5	Serial No.	Area code
		23	96140-63010-10	BEARING, RADIAL BALL, 6301U	2 2		
		24	97285-42089-10	SPOKE B, 10X124.5 (INSIDE)	18 18		
		25	97824-42088-10	SPOKE B, 10X124 (OUTSIDE)	18 18		

1978.09.20

L 13

F-9

Fuel tank • Seat



8153-10

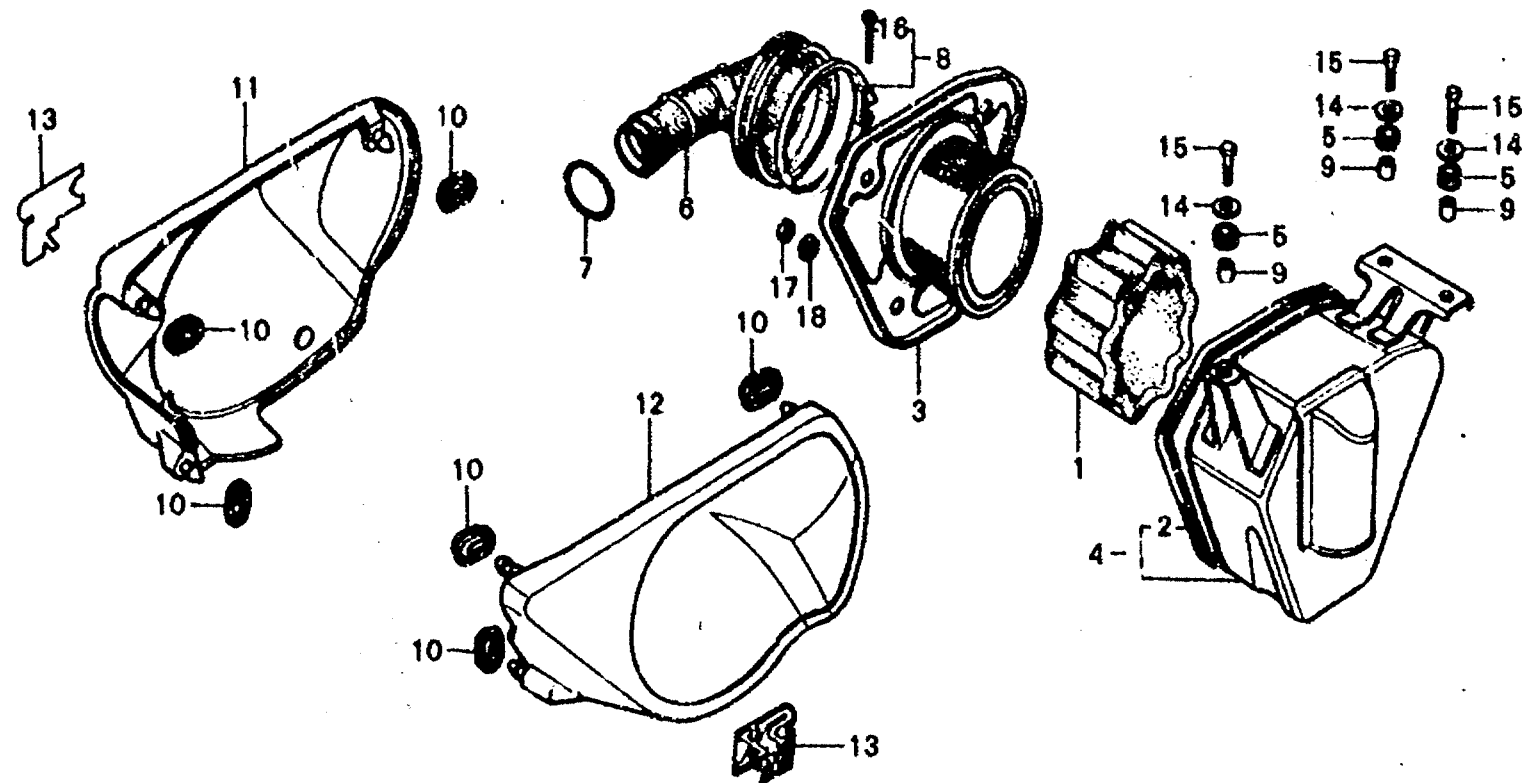
Service item	F.R.T.	Ref. No.	Part No.	Description	Reqd. No. XR75 K4 K5	Serial No.	Area code
FUEL TANK ASSY	0.3	1	16950-149-000	COCK ASSY., FUEL	1	1403882	
FUEL COCK and its related parts	0.2		16950-149-005	COCK ASSY., FUEL	1	1403883	
FUEL TUBE	0.1			(HONDA KIKAKI)			
• FUEL TANK CUSHION and its related parts		2	16951-149-005	BODY SET, COCK (HONDA KIKAKI)	1		
• FUEL FILLER CAP		3	16952-377-700	SCREEN SET, FUEL STRAINER	1	1403882	
• SEAT and its related parts			16952-377-701	SCREEN SET, FUEL STRAINER	1	1403883	
		4	17500-153-000ZA	TANK ASSY., FUEL *R-23*	1		
		5	17611-331-000	CUSHION, FUEL TANK FR.	2		
		6	17613-051-010	CUSHION, FUEL TANK RR.	1		
		7	17620-329-000	CAP COMP., FUEL FILLER	1		
		8	17631-329-000	PACKING, FUEL FILLER CAP	1		
		9	17681-153-000	TUBE, FUEL	1		
		10	77100-153-000	SEAT COMP., SINGLE	1		
		11	77205-286-000	RUBBER B, SEAT SETTING	2		
		12	87504-130-720ZA	LABEL, USE CAUTION *NH-1*	1		
		13	87510-147-670ZA	LABEL, OPERATOR WARNING *NH-1*	1		
		14	87560-323-670B	MARK, DRIVE CAUTION	1		
		15	89010-153-000	TOOL SET	1		
		16	85216-045-670	WRENCH, PLU;	1		
		17	89217-045-670	BAR, HANDLE	1		
		18	92000-08016-0A	BOLT, HEX., 8X16	2		
		19	94101-08000	WASHER, PLAIN, 8MM	2		
		20	94111-08000	WASHER, SPRING, 8MM	2		
		21	95002-02080	CLIP 88, TUBE	2		
		22	99008-01600	BAG, TOOL, 160MM	1		

1978.09.20

L 14

F-10

Air cleaner - Side cover



B153-11

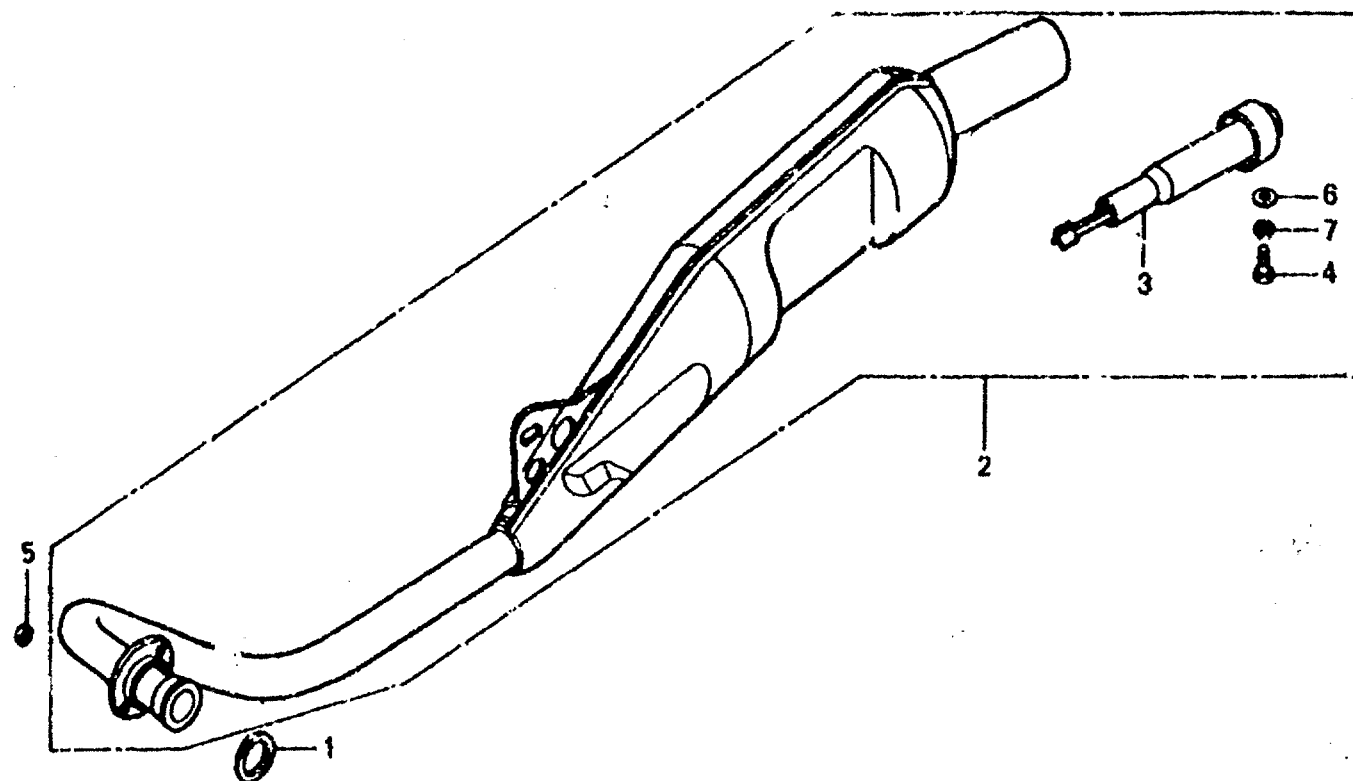
Service item	F.R.T.	Ref. No.	Part No.	Description	Reqd. No. XR75 K4 K5	Serial No.	Area code
AIR CLEANER CASE	0.4	1	17211-153-000	ELEMENT, AIR CLEANER	1	1400562	
AIR CLEANER ELEMENT	0.2		17211-107-020	ELEMENT, AIR CLEANER	1	1400563	1408177
• CONNECTING TUBE			17211-153-010	ELEMENT, AIR CLEANER	1	1408178	
• AIR CLEANER CASE PACKING		2	17226-152-300	PACKING, AIR CLEANER CASE	1		
• AIR CLEANER CASE COVER		3	17228-153-000	COVER COMP., AIR CLEANER CASE	1		
SIDE COVER/EMBLEM	0.1	4	17230-153-000	CASE COMP., AIR CLEANER	1		
• One or all		5	17245-107-010	RUBBER, AIR CLEANER CASE MOUNTING	3		
		6	17253-152-000	TUBE, AIR CLEANER CONNECTING	1		
		7	17255-028-000	BAND A, AIR CLEANER CONNECTING TUBE	1		
		8	17255-107-000	BAND, AIR CLEANER CONNECTING TUBE	1		
		9	33603-053-650	COLLAR, RR. WINKER STAY	3		
		10	83551-300-000	GROMMET, AIR CLEANER CASE	6		
		11	83600-153-000ZA	COVER, R. SIDE *R-23*	1		
		12	83700-153-000ZA	COVER, L. SIDE *R-23*	1		
		13	87128-153-300	EMBLEM, SIDE COVER	2		
			87128-153-600	EMBLEM, SIDE COVER	2		
		14	90563-355-000	WASHER, WHEEL, 6MM	3		
		15	92000-06025	BOLT, HEX., 6X25	3		
		16	93500-04025-0A	SCREW, PAN, 4X25	1		
		17	94001-06000	NUT, HEX., 6MM	3		
		18	94101-06000	WASHER, PLAIN, 6MM	3		

1978.09.20

**L 15**

**F-11**

**Exhaust muffler**



B153-12

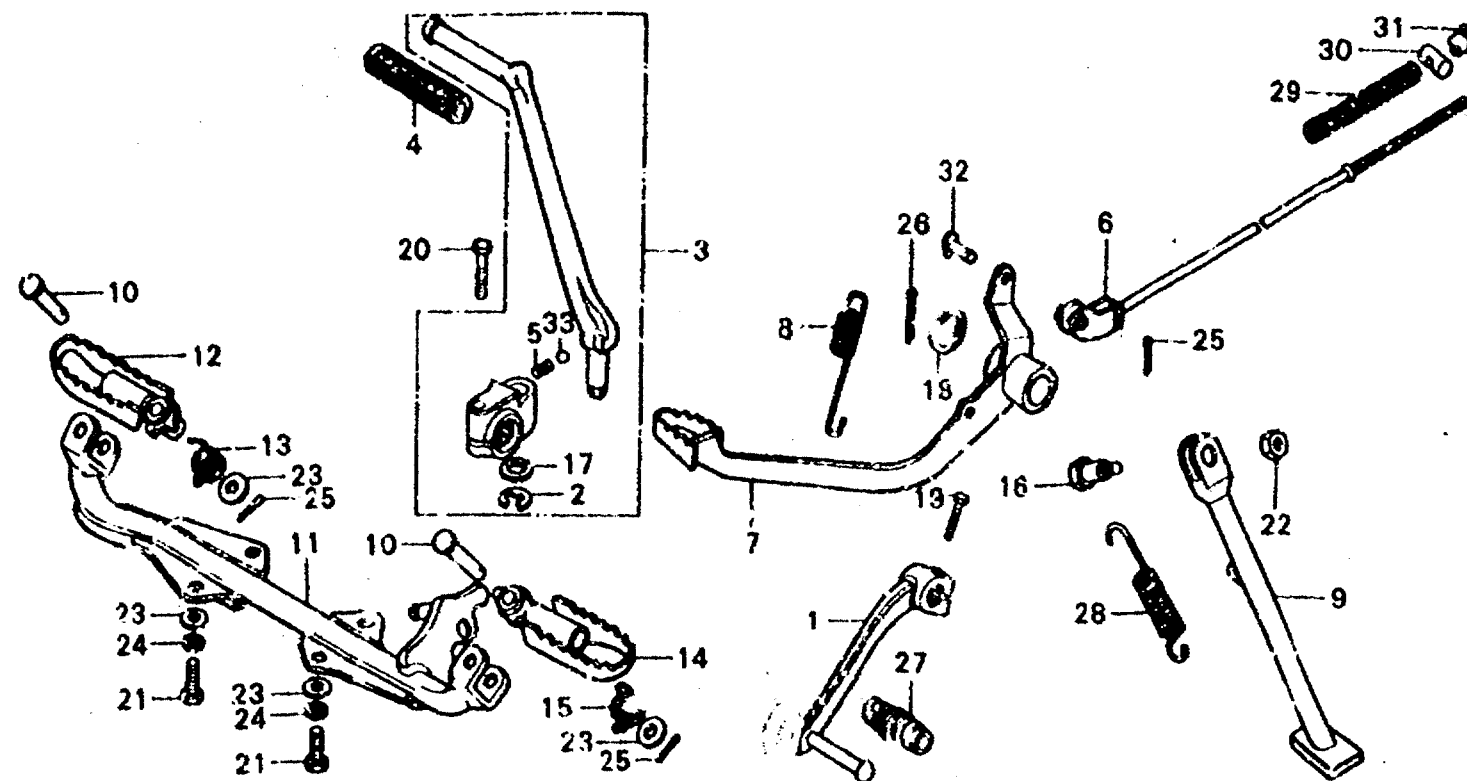
Service item	F.R.T.	Ref. No.	Part No.	Description	Reqd. No. XR75 K4 K5	Serial No.	Area code
EXHAUST MUFFLER/EXHAUST PIPE	0.1	1	18291-028-000	GASKET, EX. PIPE	1 1		
GASKET		2	18300-153-000	MUFFLER COMP., EX.	1 1		
• DIFFUSER PIPE		3	18330-942-000	PIPE COMP., DIFFUSER	1 1		
		4	92000-06010	BOLT, HEX., 6X10	1 1		
		5	94001-06000	NUT, HEX., 6MM	2 2		
		6	94101-06000	WASHER, PLAIN, 6MM	1 1		
		7	94111-06000	WASHER, SPRING, 6MM	1 1		

1978.09.20

L 16

F-12

Pedal • Kick arm •  
Stand • Step



8153-13

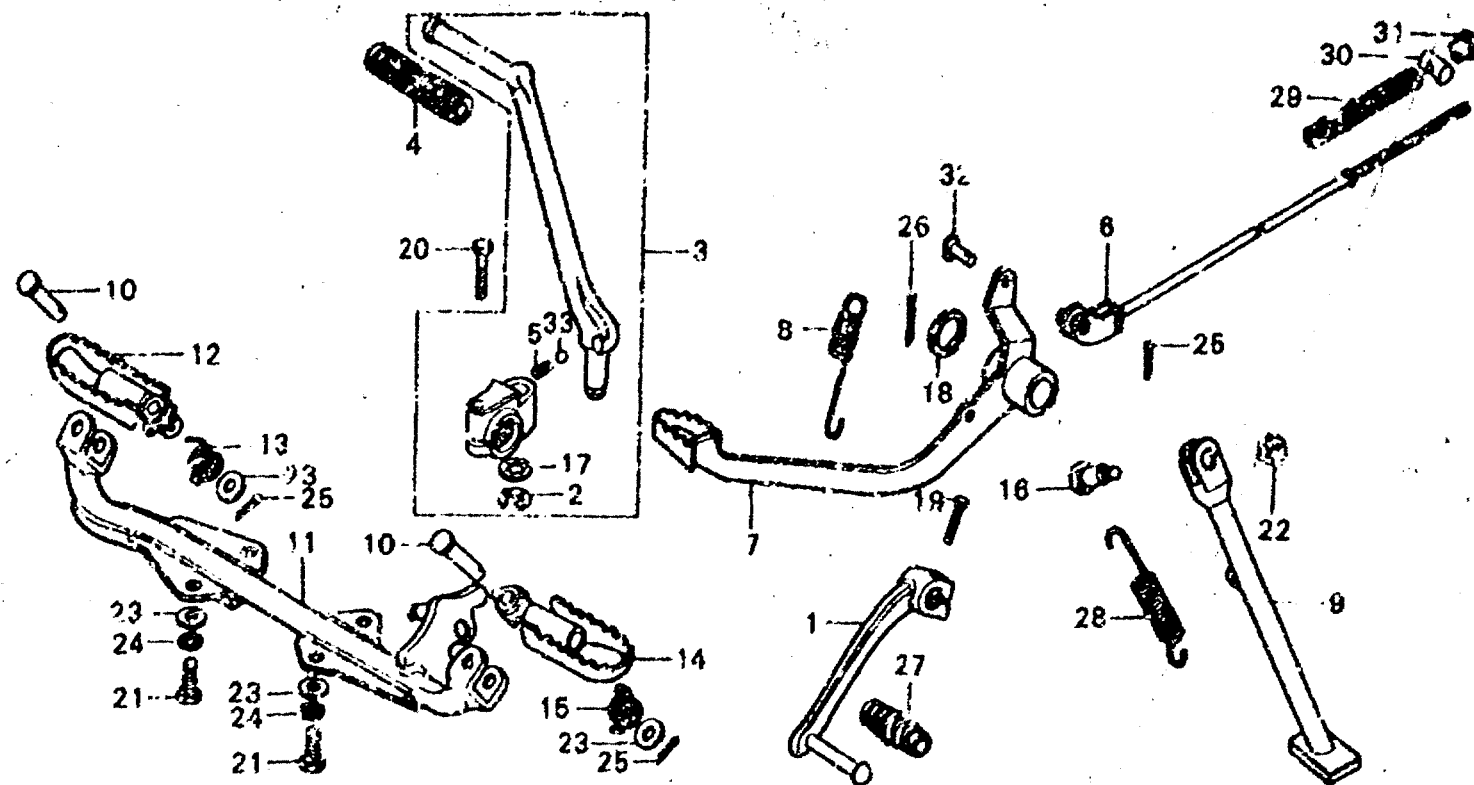
Service item	F.R.T.	Ref. No.	Part No.	Description	Reqd. No. XR75 K4 K6	Serial No.	Area code
STEP BAR	0.4	1	24700-107-700	PEDAL COMP., GEAR CHANGE	1		
SIDE STAND BAR	0.2	2	24701-153-600	PEDAL COMP., GEAR CHANGE	1		
•BRAKE PEDAL/BRAKE ROD		2	28293-333-000	CLIP, KICK STARTER ARM	1	1	
•SIDE STAND SPRING		3	28300-153-000	ARM ASSY., KICK STARTER	1	1	
•BRAKE PEDAL SPRING		4	28311-342-000	RUBBER, KICK STARTER	1	1	
KICK STARTER ARM/RUBBER	0.1	5	28333-124-000	SPRING, KICK STARTER STOPPER	1	1	
•GEAR CHANGE PEDAL/RUBBER		6	33451-152-000	ROD COMP., RR. BRAKE	1	1	
•STEP ARM and its related parts		7	46500-153-000	PEDAL COMP., BRAKE	1	1	
•One or all		8	46514-107-010	SPRING, BRAKE PEDAL	1	1	
		9	50530-153-000	BAR COMP., SIDE STAND	1	1	
		10	50603-033-000	PIN, STEP BAR JOINT	2	2	
		11	50610-153-000/A	BAR COMP., STEP ARM-1P	1	1	
		12	50633-152-000	ARM COMP., R. STEP	1	1	
		13	50617-283-000	SPRING, R. STEP RETURN	1	1	
		14	50642-152-000	ARM COMP., L. STEP	1	1	
		15	50644-283-000	SPRING, L. STEP RETURN	1	1	
		16	90108-223-000	SCREW, SIDE STAND PIVOT	1	1	
		17	90505-116-670	WASHER, 13X20	1	1	
		18	90521-028-000	WASHER, 17X22	1	1	
		19	92000-05020	BOLT, HEX., 6X20	1	1	
		20	92000-06030	BOLT, HEX., 6X30	1	1	
		21	92000-05020-0A	BOLT, HEX., 8X20	4	4	
		22	94002-10000-05	NUT, HEX., 10MM	1	1	
		23	94101-08000	WASHER, PLAIN, 8MM	6	6	
		24	94111-08000	WASHER, SPRING, 8MM	4	4	
		25	94201-16150	PIN, SPLIT, 1.6X15	3	3	

1978.09.20

M 1

F-12

Pedal • Kick arm •  
Stand • Step



B153-13

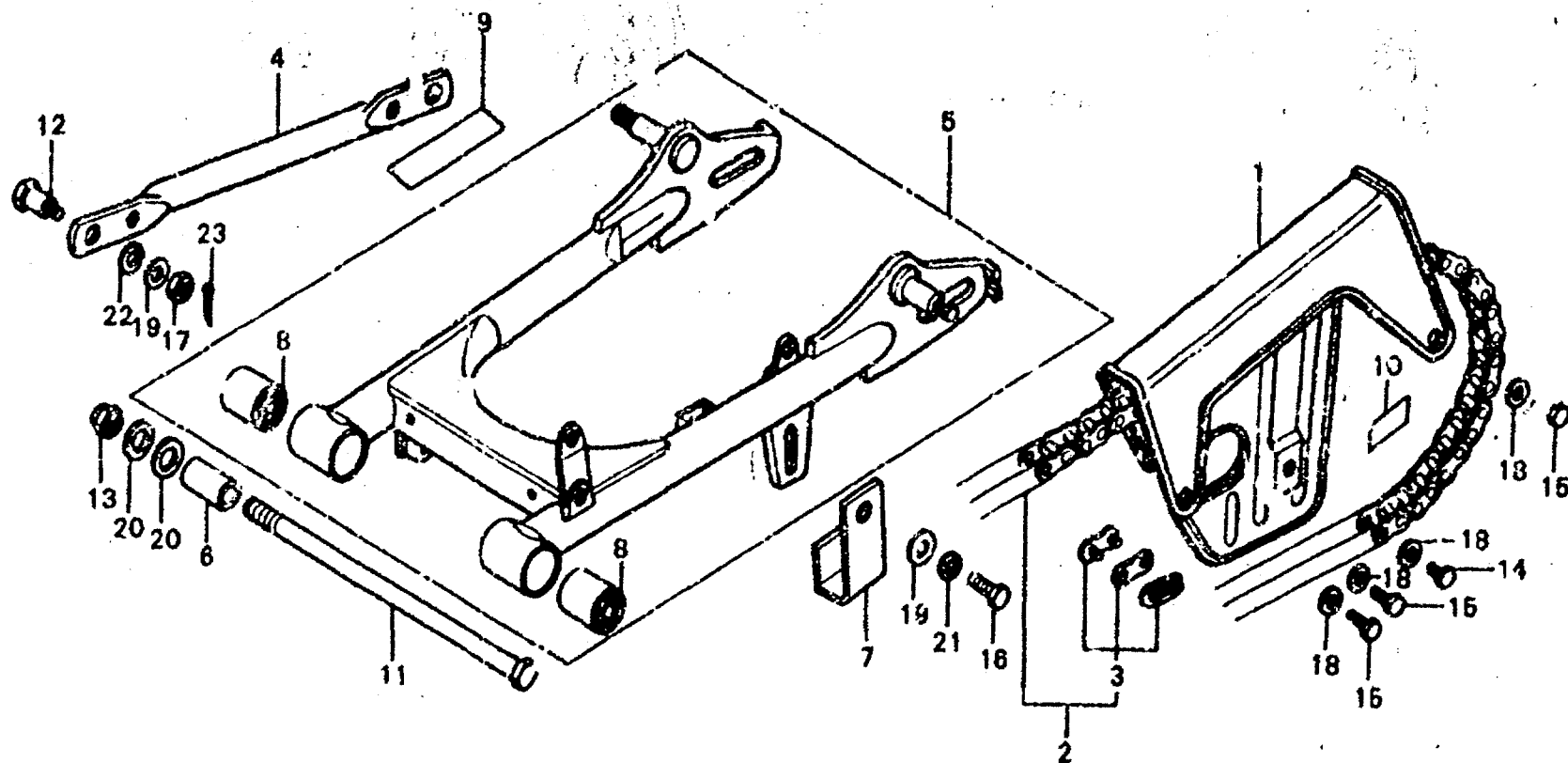
Service item	F.R.T.	Ref. No.	Part No.	Description	Reqd. No. XR76 K4 K5	Serial No.	Area code
		26	94201-30250	PIN, SPLIT, 3.0X25	1 1		
		27	95011-40000	RUBBER, CHANGE PEDAL	1 1		
		28	95014-72102	SPRING A, SIDE STAND	1 1		
		29	95014-73100	SPRING A, BRAKE ROD	1 1		
		30	95015-32001	JOINT B, BRAKE ARM	1 1		
		31	95015-42000	NUT B, BRAKE ROD ADJUST	1 1		
		32	95015-52000	PIN D, BRAKE ROD JOINT	1 1		
		33	96211-08000	BALL, STEEL, #9 (1/4)	1 1		

117/09/70

M 2

F-13

Rear fork - Drive chain



8153-1

Service item	F.R.T.	Ref. No.	Part No.	Description	Req. No. XH75 K4 X5	Serial No.	Area code
REF. FORK PIVOT RUBBER BUSH •One of all	0.8	1	40510-116-6718	CASE, DRIVE CHAIN	1	1	
REAR FORK ASSY.	0.5	2	40530-153-002	CHAIN, DRIVE (100L DA100)	1	1	
DRIVE CHAIN and its related parts • REAR BRAKE STOPPER ARM	0.2	3	40531-153-003	JOINT, DRIVE CHAIN (DA100)	1	1	
DRIVE CHAIN CASE •CHAIN GUID	0.1	4	43431-152-000	ARM, RR. BRAKE STOPPER	1	1	
		5	52000-153-0092A	FORK ASSY., RR. "R-23"	1	1	
		6	52143-153-000	COLLAR, RR. FORK PIVOT	1	1	
		7	52156-074-000	GUARD, DRIVE CHAIN	1	1	
		8	52181-001-300	BUSH, RR. FORK PIVOT RUBBER	2	2	
		9	87504-028-670	MARK, MUFFLER CAUTION	1	1	
		10	87505-153-700	MARK, TIRE CAUTION	1	1	CM
		11	90121-153-000	BOLT, RR. FORK PIVOT	1	1	
		12	90133-331-770	BOLT, RR. BRAKE STOPPER ARM	1	1	
		13	90351-268-000	NUT, SELF LOCK, 10MM	1	1	
		14	92000-06006	BOLT, HEX., 6X6	1	1	
		15	92000-06012	BOLT, HEX., 6X12	3	3	
		16	94000-08016-0A	BOLT, HEX., 8X16	1	1	
		17	94001-08009-05	NUT, HEX., 8MM	1	1	
		18	74101-08000	WASHER, PLAIN, 6MM	4	4	
		19	94101-08000	WASHER, PLAIN, 8MM	2	2	
		20	94101-10000	WASHER, PLAIN, 10MM	2	2	
		21	94111-08000	WASHER, SPRING, 8MM	1	1	
		22	94211-10000	WASHER, SPRING, 10MM	1	1	
		23	94201-20150	PIN, SPLIT, 2.0X15	1	1	

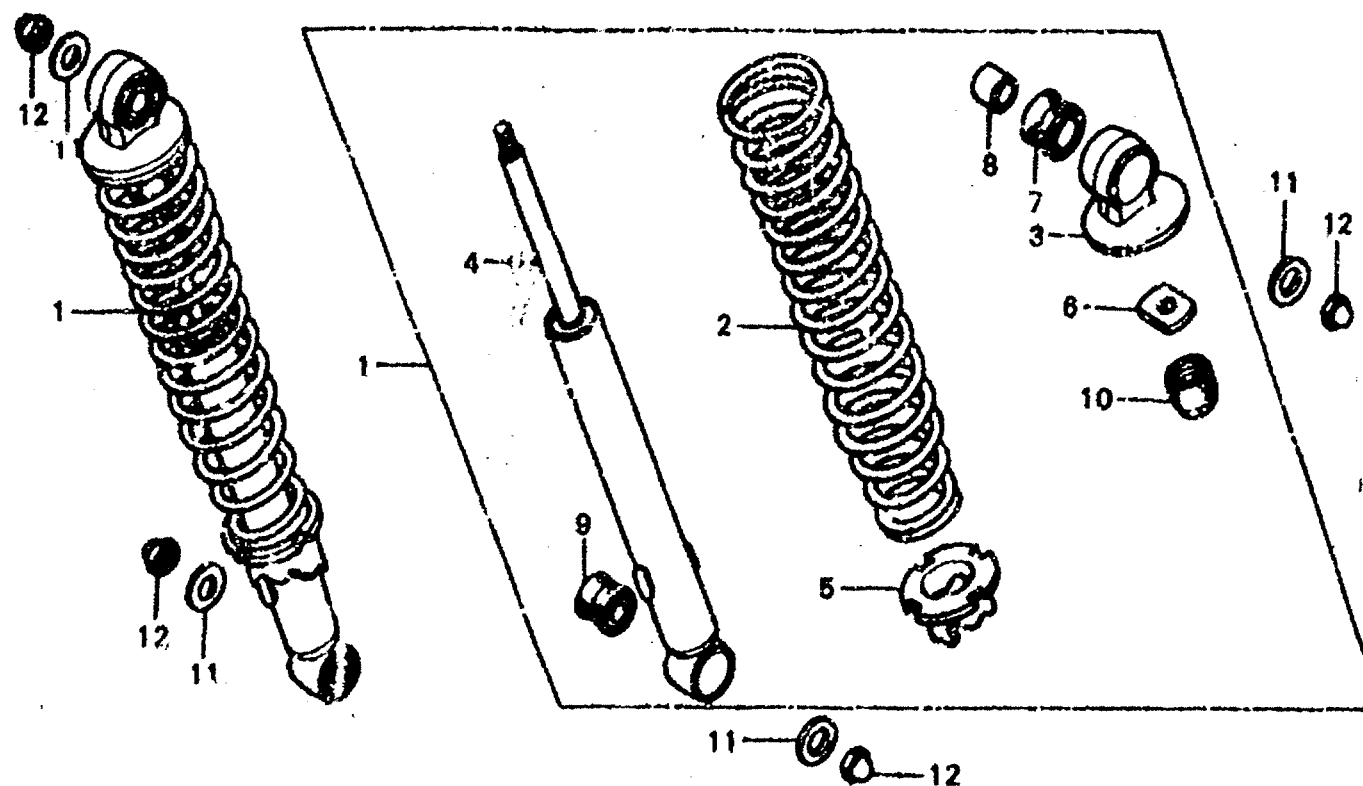
1978.09.20



M 3

F-14

Rear cushion



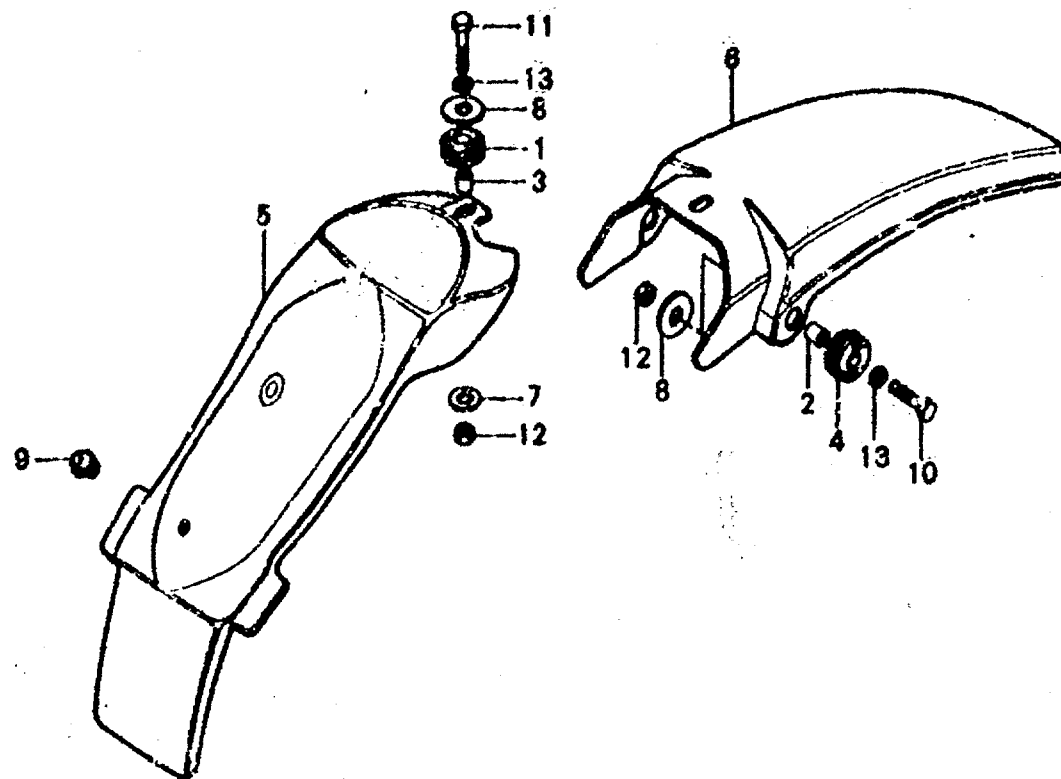
8153-15

Service item	F.R.T.	Ref N.J.	Part No.	Description	Reqd. No. XR75 K4 K5	Serial No.	Area code
REAR CUSHION SPRING (R. side) and its related parts	0.4	1	52400-153-003	CUSHION ASSY., RR.	2 2		
		2	52400-153-003	SPRING, RR. CUSHION	2 2		
REAR CUSHION SPRING (L. side) and its related parts	0.3	3	52403-153-003	JOINT, UPPER	2 2		
		4	52410-153-003	DAMPER COMP., RR.	2 2		
		5	52422-455-000	ADJUSTER, RR. CUSHION SPRING	2 2		
REAR CUSHION ASSY. (R. side)	0.2	6	52482-153-003	NUT, LOCK, 9MM	2 2		
REAR CUSHION ASSY. (L. side)	0.1	7	52485-118-000	BUSH, RR. CUSHION	2 2		
		8	52488-001-000	COLLAR, RR. CUSHION UPPER RUBBER BUSH	2 2		
		9	52489-153-003	BUSH, DAMPER	2 2		
		10	52517-153-003	RUBBER, STOPPER	2 2		
		11	90551-033-000	WASHER, SPROCKET SETTING	4 4		
		12	94021-10000-05	NUT, CAP, LONG	4 4		

M 4

F-15

Rear fender



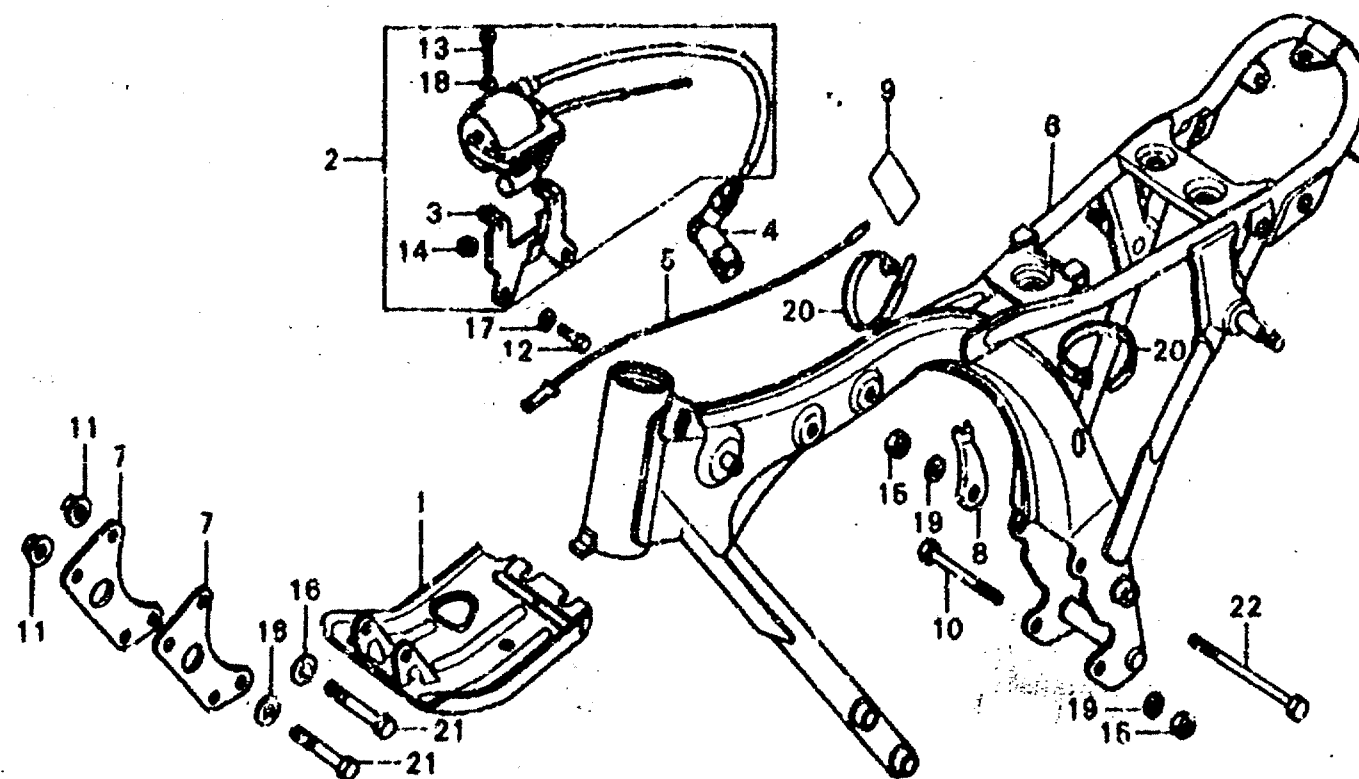
8153-16

Service item	F.R.T.	Ref. No.	Part No.	Description	Regd. No.		Serial No.	Area code
					XR75	K4 KB		
REAR FENDER B.	0.2	1	17245-107-010	RUBBER, AIR CLEANER CASE MOUNTING	1	1		
REAR FENDER A.	0.1	2	33A03-053-650	COLLAR, RR. WINGER STAY	2	2		
		3	50324-300-000	COLLAR, BATTERY BOX	1	1		
		4	61103-357-000	RUBBER, FR. FENDER MOUNTING	2	2		
		5	80101-152-0002B	FENDER B, RR. *R-23*	1	1		
		6	80102-153-0002A	FENDER A, RR. *R-23*	1	1		
		7	90575-030-000	WASHER B, HANDLE HOLDER SETTING	1	1		
		8	90563-355-000	WASHER, WHEEL, 6MM	3	3		
		9	90899-385-0J0	PLUG, CONE	1	1		
		10	92000-06025	BOLT, HEX., 6X25	2	2		
		11	92000-06028	BOLT, HEX., 6X28	1	1		
		12	94001-06000	NUT, HEX., 6MM	3	3		
		13	94101-06000	WASHER, PLAIN, 6MM	3	3		

M 5

F-16

Frame body - Ignition coil



B153-17

Service item	F.R.T.	Ref. No.	Part No.	Description	Reqd. No. XR7B K4 K5	Serial No.	Area code
FRAME BODY	4.0	1	11911-153-000	PROTECTOR, CRANKCASE	1		
IGNITION COIL/SET STAY/WIRE HARNESS	0.2	2	30500-153-003	COIL ASSY., IGNITION	1		
FRONT ENGINE HANGER PLATE	0.1	3	30501-153-000	STAY, IGNITION COIL SET	1		
*CRANKCASE PROTECTOR		4	30600-918-670	CAP ASSY., NOISE SUPPRESSOR	1		
*NOISE SUPPRESSER CAP ASSY.			30700-152-153	CAP ASSY., NOISE SUPPRESSOR (NICHIMA)	1	1412023	1412022
		5	32100-153-000	HARNESS, WIRE	1		
		6	50100-153-000ZA	BODY COMP., FRAME PR-23*	1		
		7	50351-149-000ZA	PLATE, FR. ENGINE HANGER *NH-1*	2		
		8	50356-149-000	RECEIVER, CLUTCH CABLE	1		
		9	87508-120-000	LABEL, AIR CLEANER CAUTION	1		
		10	90102-149-000	BOLT, HEX., 8X95	1		
		11	90236-300-000	NUT, FLANGE, 8MM	4		
		12	92000-06012	BOLT, HEX., 6X12	2		
		13	93500-06020-08	SCREW, PAN, 6X20	2		
		14	94001-06080	NUT, HEX., 6MM	2		
		15	94030-08000	NUT, HEX., 8MM	2		
		16	94101-08000	WASHER, PLAIN, 8MM	4		
		17	94111-06000	WASHER, SPRING, 6MM	2		
		18	94111-06800	WASHER, SPRING, 6MM	2		
		19	94111-08000	WASHER, SPRING, 8MM	2		
		20	95014-61300	BAND A3, WIRE	2		
		21	95300-06060-00	BOLT, HEX., 6X60	4		
		22	95300-08100-00	BOLT, HEX., 8X100	1		