

### Models, area codes and applicable serial numbers

Models, area codes and applicable serial Nos. given in this parts catalogue can be identified as follows.

Parts with area codes are exclusive for models destined for countries designated.

If no area codes are listed, parts are for common use.

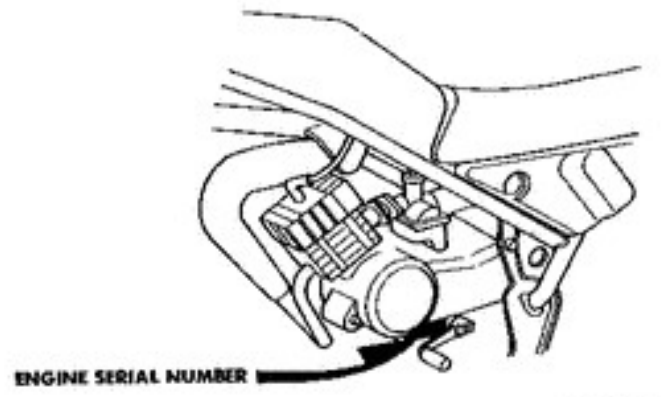
Model	Area code	Type	Applicable engine serial No.	Applicable frame serial No.	Applicable carburetor identification No.
MT50SL	B	Belgium	AD01E-5083191~5087721	AD01-5500818~5510383	PF05B <span style="border: 1px solid black; padding: 0 2px;">B</span>
	E	England	AD01E-5082581~5087621	AD01-5500002~5510283	PF05D <span style="border: 1px solid black; padding: 0 2px;">B</span>
	H	Netherland	AD01E-5124586~5125336	AD01-5501926~5509222	PF05F <span style="border: 1px solid black; padding: 0 2px;">B</span>
	N	Norway	AD01E-5083187~	AD01-5500814~	PF06A <span style="border: 1px solid black; padding: 0 2px;">B</span>
	SD	Sweden	AD01E-5205502~5209991	AD01-5500006~5508266	PF06B <span style="border: 1px solid black; padding: 0 2px;">A</span>
MT50FL	ED	European direct sales	AD01E-5082951~	AD01-5500473~	PF15C <span style="border: 1px solid black; padding: 0 2px;">D</span>
MT50SM	SD	Sweden	AD01E-5300001~	AD01-5600001~	PF06B <span style="border: 1px solid black; padding: 0 2px;">B</span>

Model	Area code	Type	Applicable engine serial No.	Applicable frame serial No.	Applicable carburetor identification No.
MT50Sp	N	Norway	AD01E-5400016~	AD01-5700065~	PF06A <span style="border: 1px solid black; padding: 0 2px;">C</span>
	SD	Sweden	AD01E-5400003~	AD01-5700002~	PF06B <span style="border: 1px solid black; padding: 0 2px;">B</span>
MT50Fp	DK	General export (KPH)	AD01E-5400001~	AD01-5700001~	PF15C <span style="border: 1px solid black; padding: 0 2px;">E</span>
MT50St	N	Norway	AD01E-5400001~	AD01B*TK000001~	PF06A <span style="border: 1px solid black; padding: 0 2px;">C</span>
	SD	Sweden	AD01E-5400001~	AD01A*TK000001~	PF06B <span style="border: 1px solid black; padding: 0 2px;">B</span>

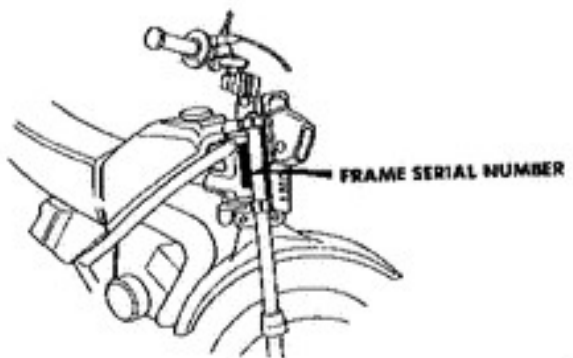
\*Of carburetor identification numbers, only the portions underlined in the example below are used for registration.

PF05D B KC 7

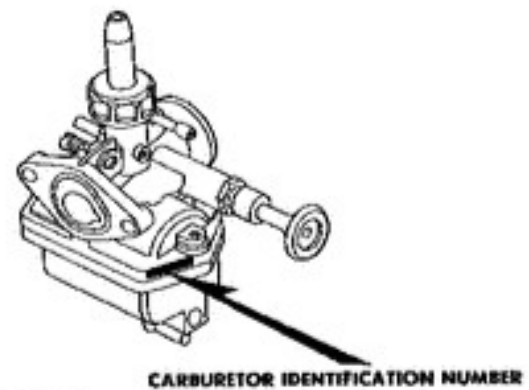
**Location of stamped serial number**



D167-A



D167-B



D167-C

● **Selection table for lock or blank key**

Refer to the following selection table to select the lock or blank key.

Type	Key No.
TYPE 1	A** , B**
TYPE 2	C** , D**

\*: 0, 1, 2, 3, 4, 5, 6, 7, 8 or 9

### Color codes

The color code at the end of the part number indicates the color. Codes below ZA in alphabetical order (such as ZA, ZB, ZC, etc.) do not indicate the color directly, but reference must be made to the HONDA code given in the "Description" column of this parts catalogue.

Color code	Color description
HONDA code	
NH0	White
NH1	Black
NH105	Mat black (# 15— #20)
NH196	Ross white
PB182	Florida blue
R110	Monza red
R119	Flash red

## Abbreviations

The following abbreviations are used in this parts catalogue.

ASSY.	Assembly
COMP.	Complete
R.	Right
L.	Left
STD.	Standard
MM	Millimeter
G	Gram
T (22T)	Tooth (22Teeth)
A	Ampere
V	Volt
W	Watt
WL	With labelling
WOL	Without labelling
KPH	Kilometers per hour
ABS	Anti-lock brake system

L. E. D.	Light emitted diode
MPH	Miles per hour
L (100L)	Link (100Links)
A. C.	Alternating current
D. C.	Direct current
IN.	Inlet
EX.	Exhaust
FR.	Front
RR.	Rear
HEX.	Hexagonal
A. M.	Attaching mark
T. M.	Transcript mark
C. D. I.	Capacitive discharge ignition
PGM-FI	Programmed fuel injection
TCS	Traction control system

**Operations other than replacing parts**

**a. Removal and installation**

No.	Service item	F.R.T.
1	Engine	1.1
2	Cylinder head	0.4
3	Carburetor	0.4

**b. Adjustment, measurement and cleaning**

**Engine**

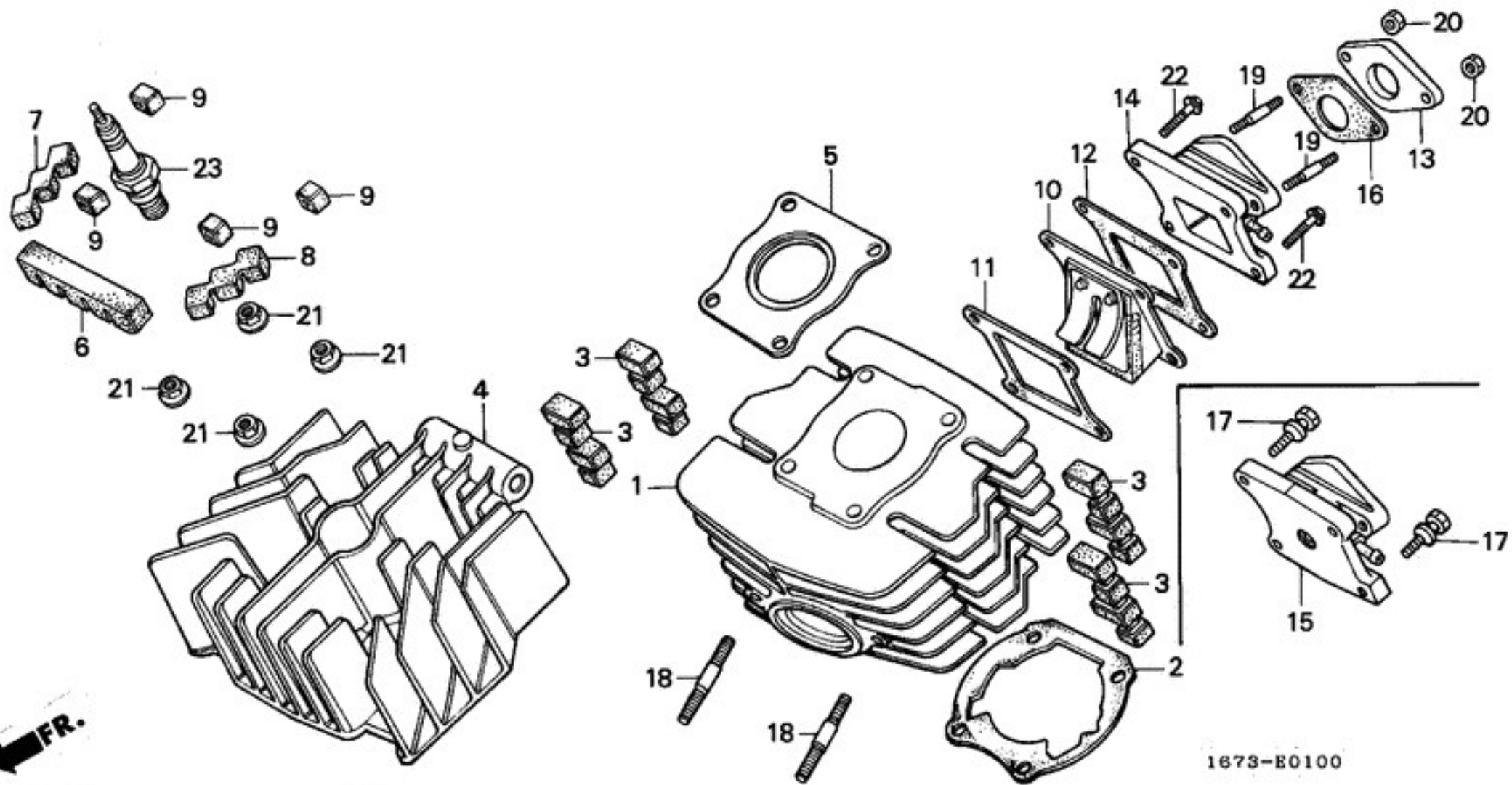
No.	Service item	F.R.T.
1	Mission oil-inspection (excluding oil change)	0.1
2	Cleaner element-cleaning	0.2
3	Compression-pressure measurement	0.1
4	Spark plug-adjustment and cleaning	0.1
5	Ignition timing-inspection	0.2
6	Throttle operation-adjustment	0.1
7	Carburetor idle-adjustment	0.1
8	Carburetor-float level measurement	0.6
9	Clutch-adjustment	0.1
10	Oil strainer-cleaning	0.3
11	Oil pump air bleed	0.2

**Frame**

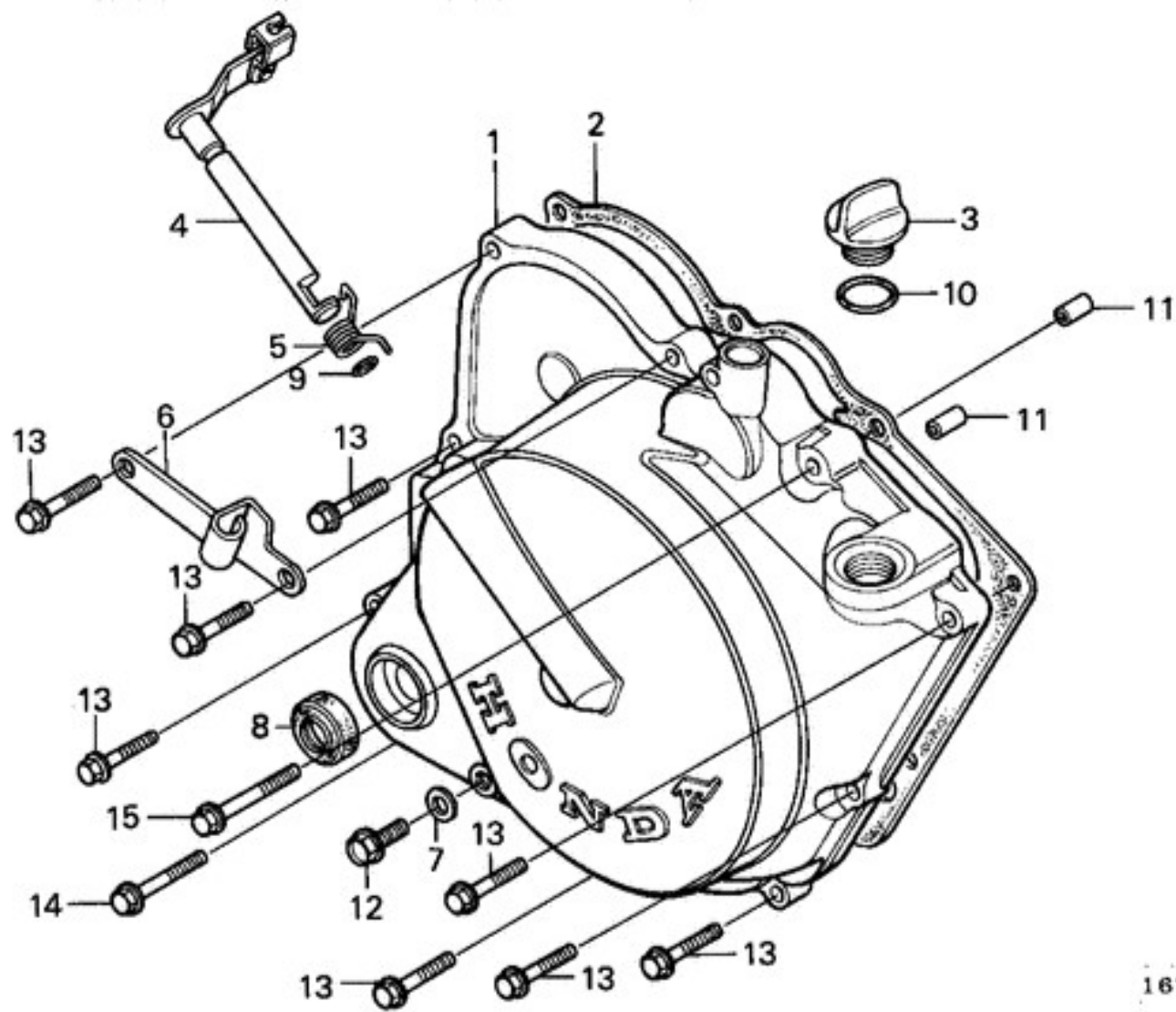
No.	Service item	F.R.T.
1	Front brake-adjustment	0.1
2	Rear brake-adjustment	0.1
3	Brake-operation test	0.1
4	Headlight-aimings	0.1
5	Drive chain (includes tension adjustment however, does not include sprocket)	0.1

**c. Overhaul**

No.	Service item	F.R.T.
1	Carburetor	0.7



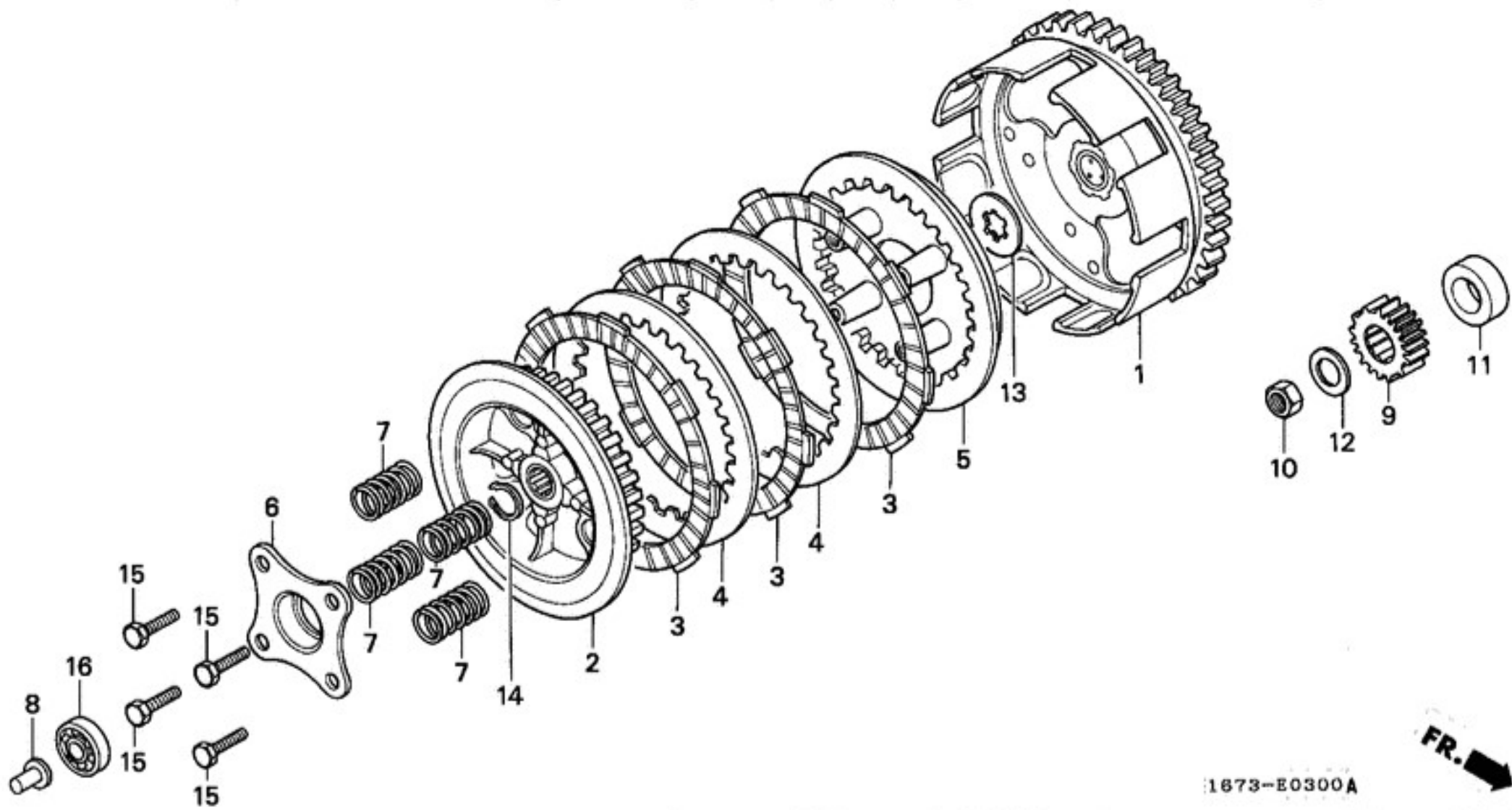
1673-E0100



1673-E0200A

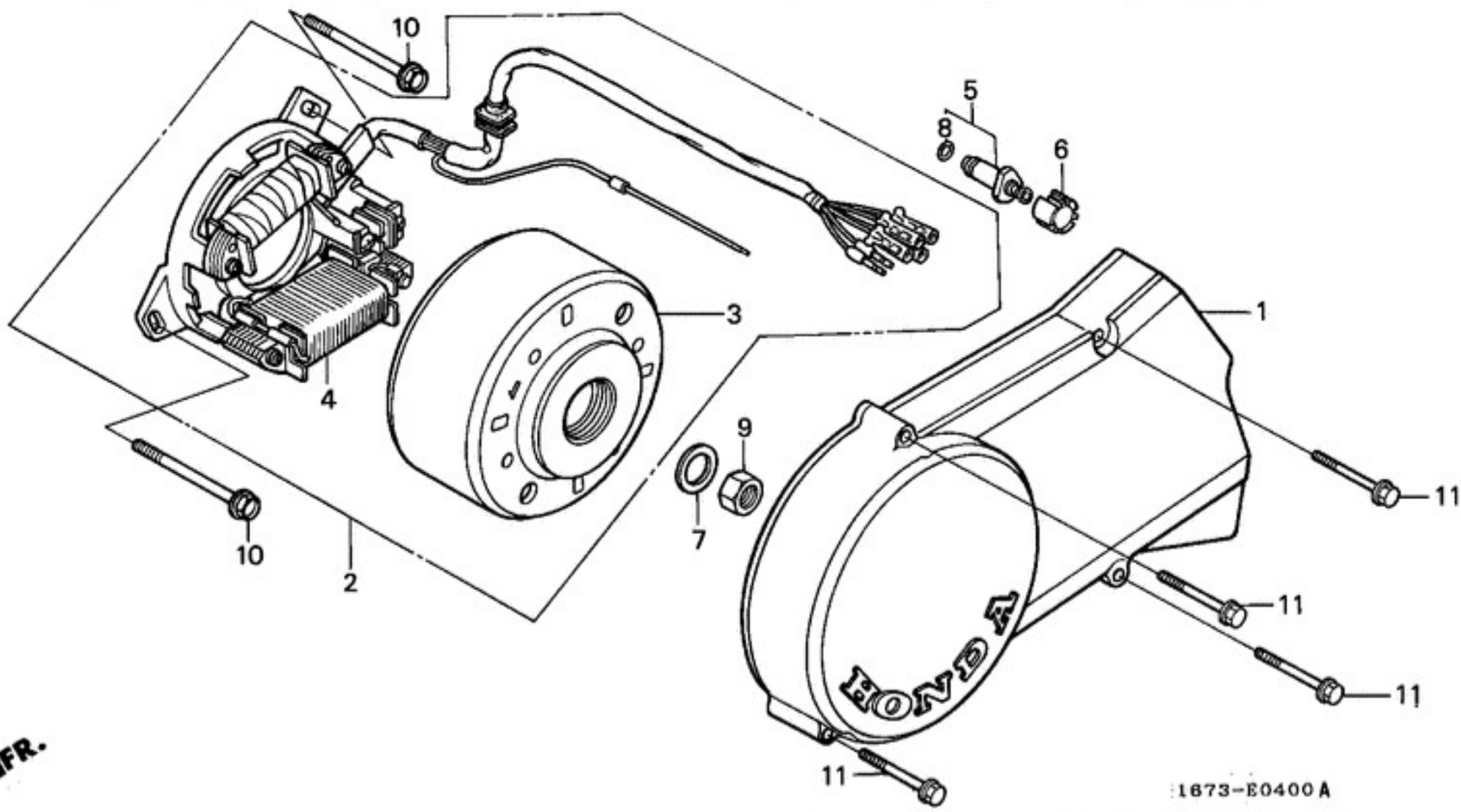
FR. 





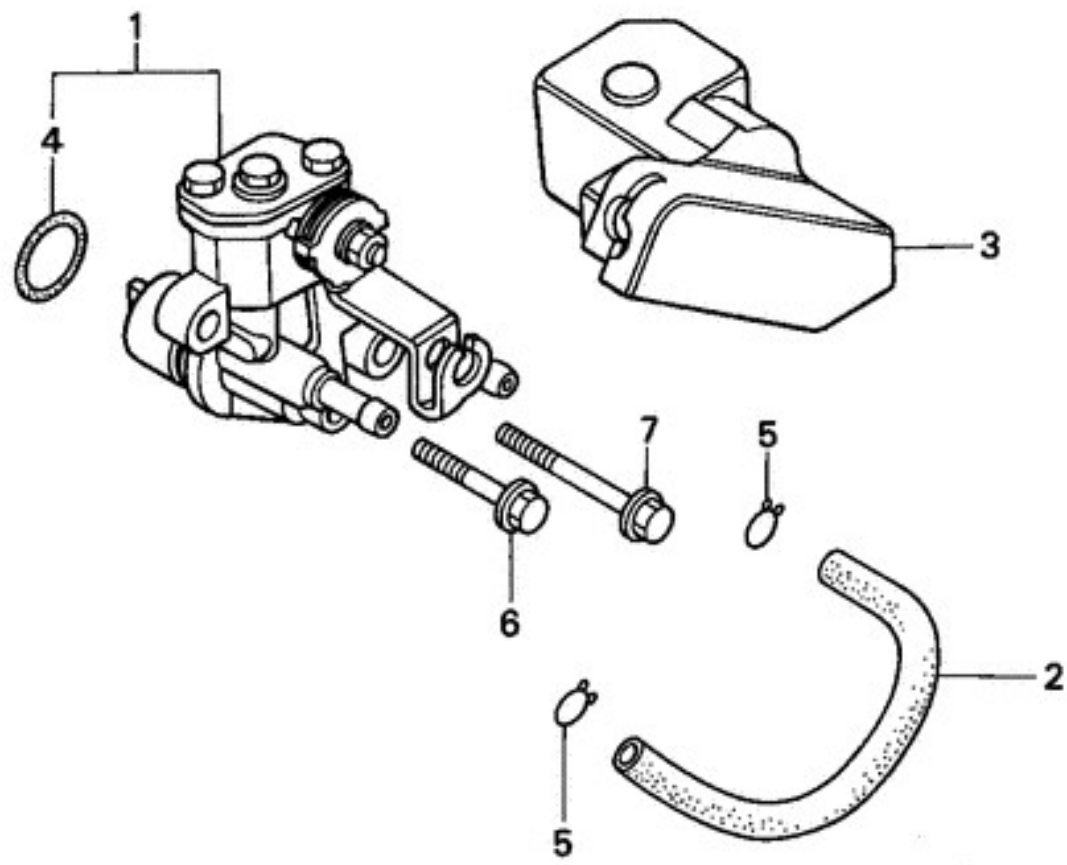
1873-E0300A

FR. 



FR.

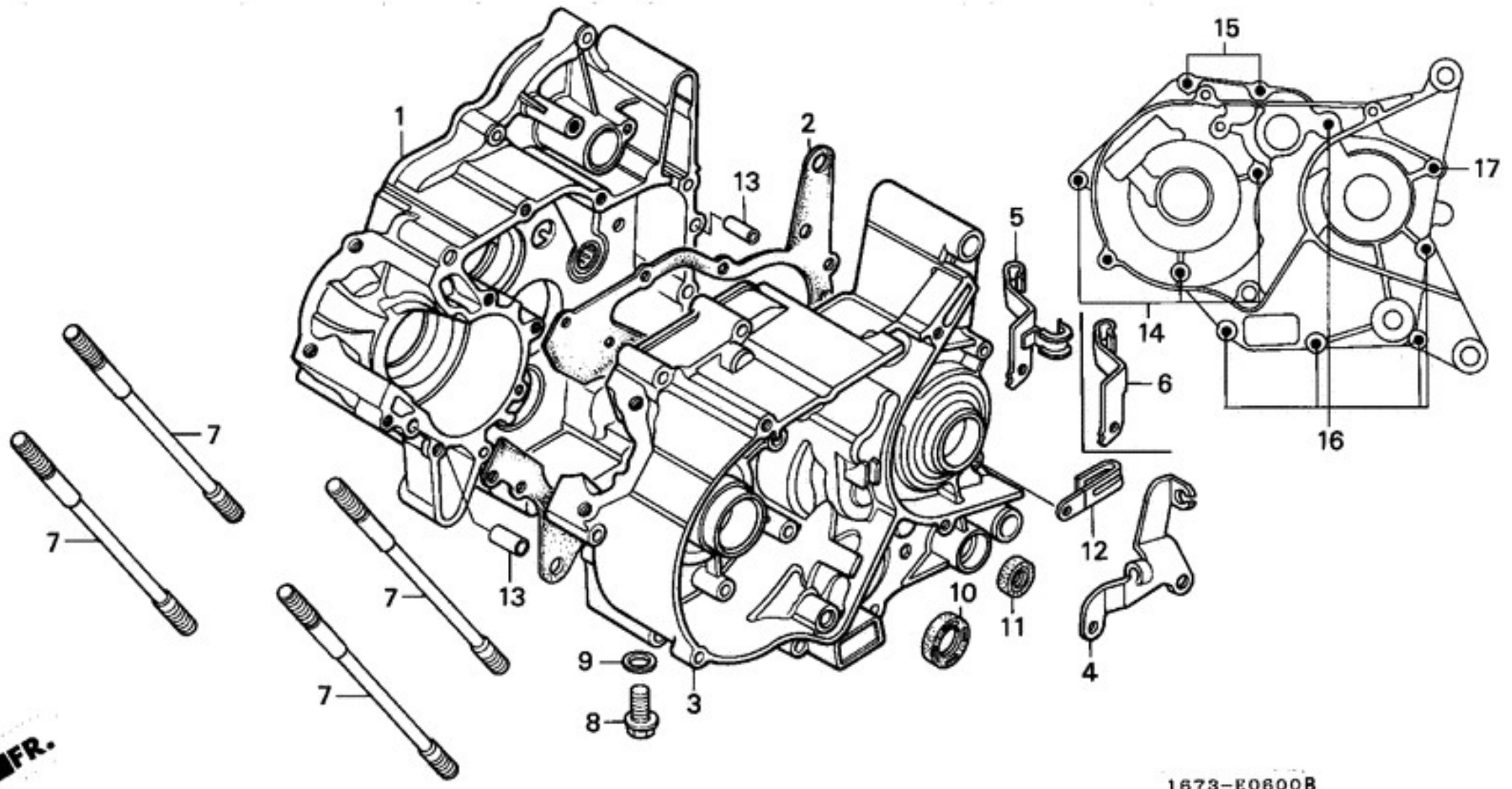
1873-E0400 A



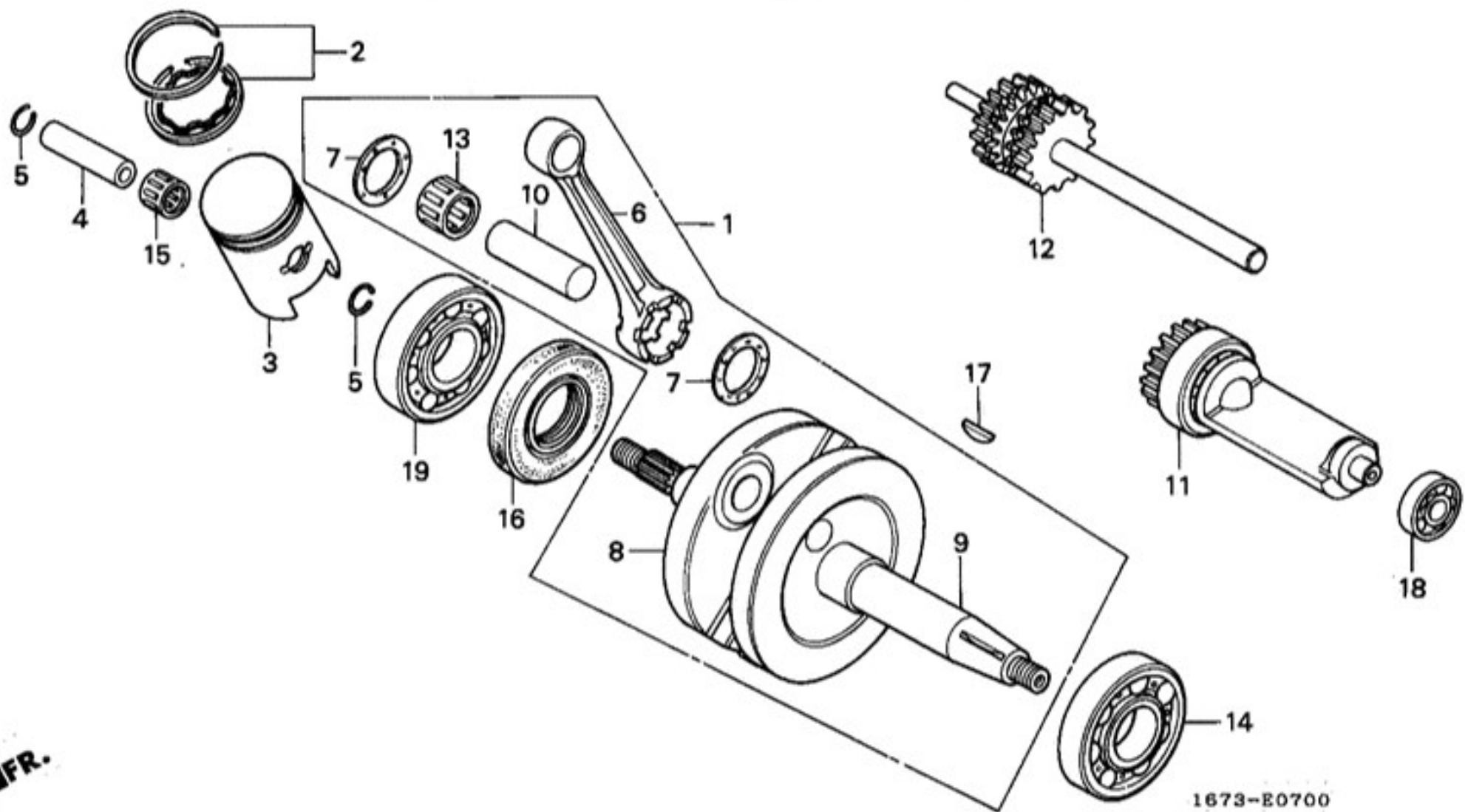
←FR.

1873-E0500

FR.

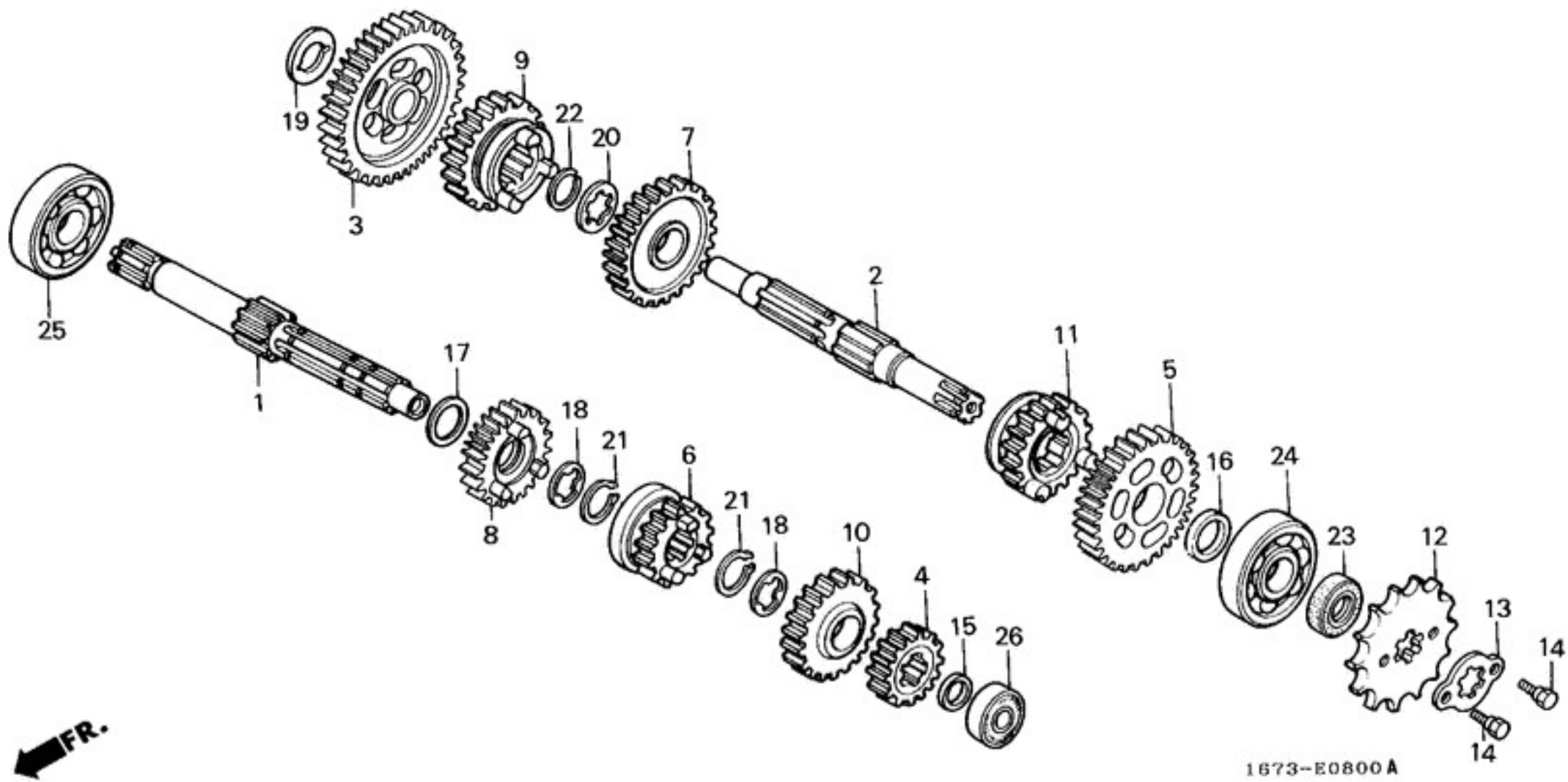


1673-E0800B

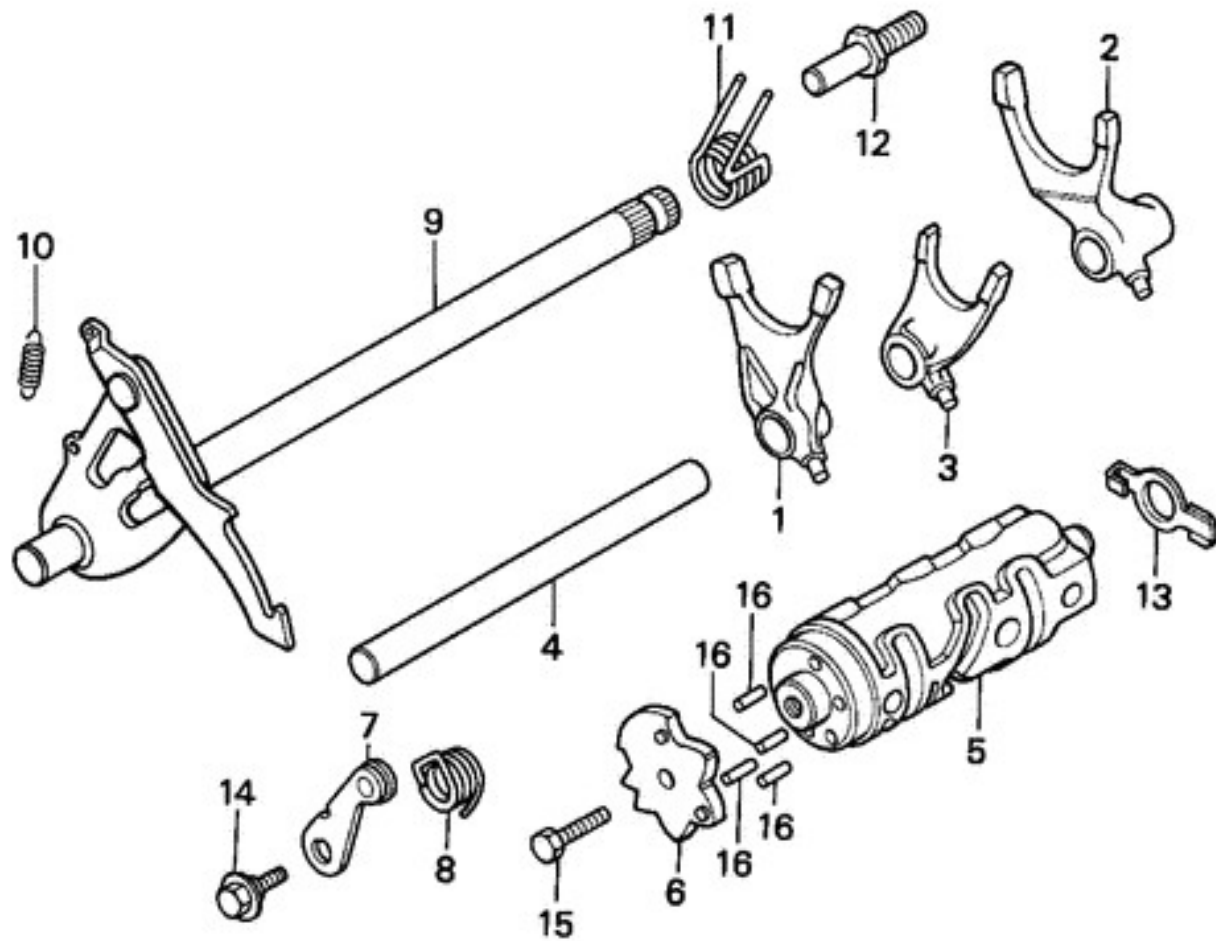


1673-E0700

FR.

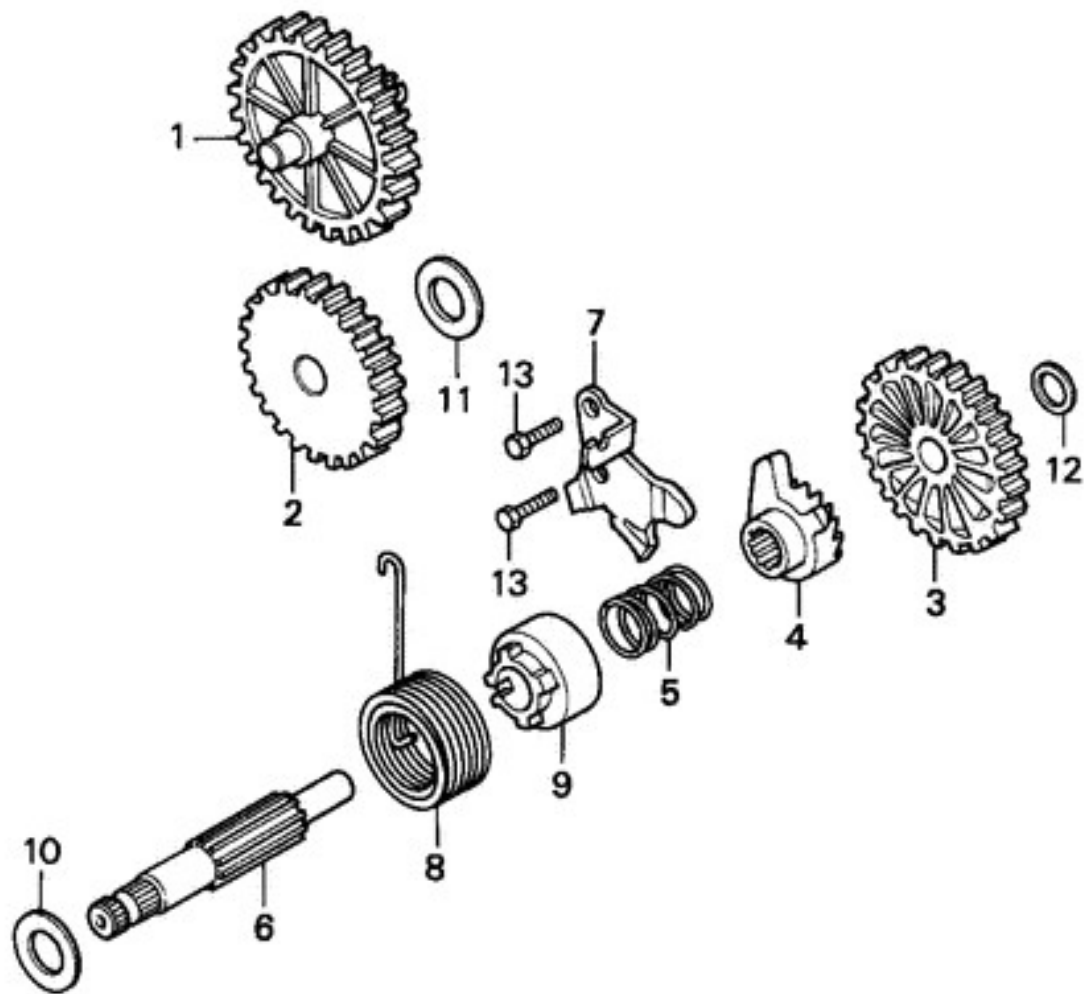


1673-E0800A



1673-E0900 A

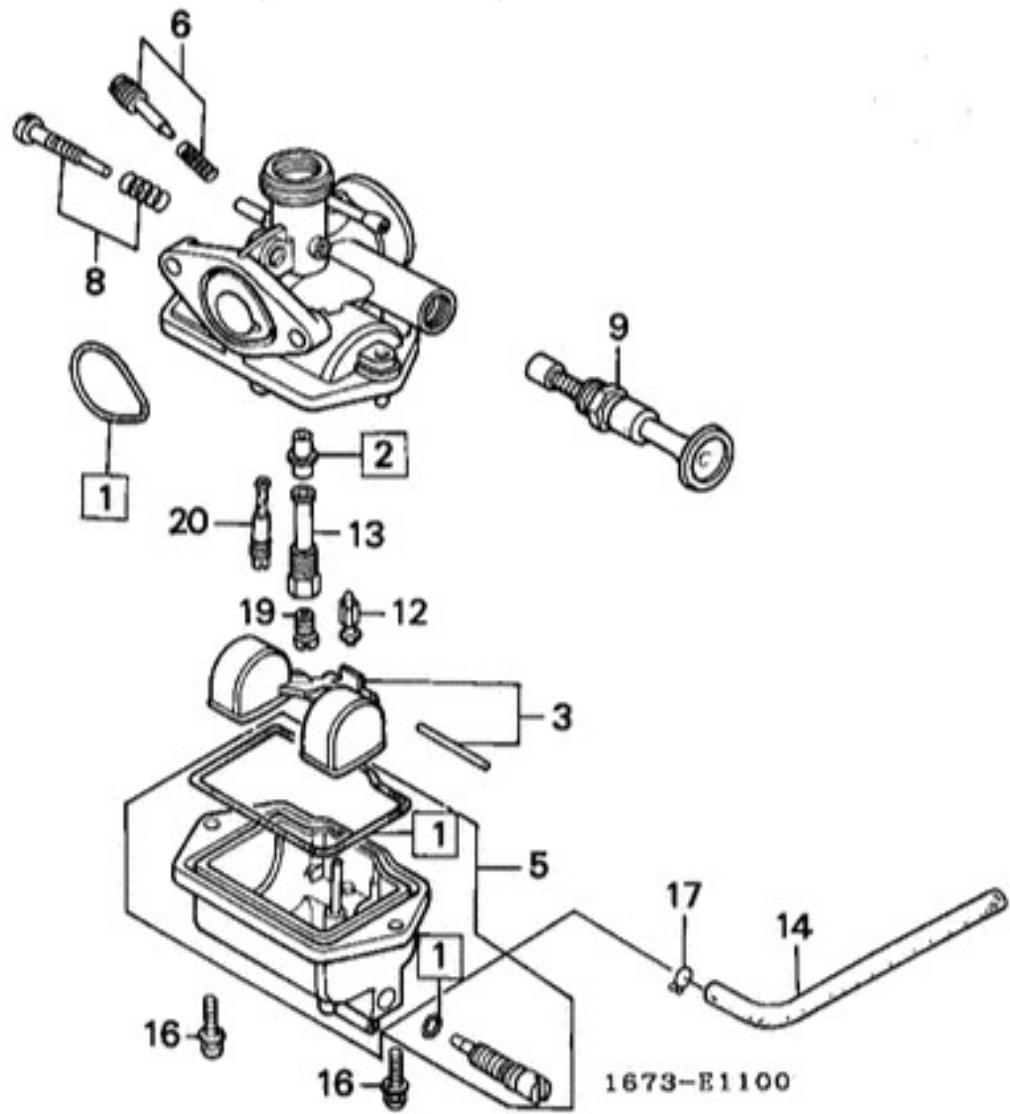
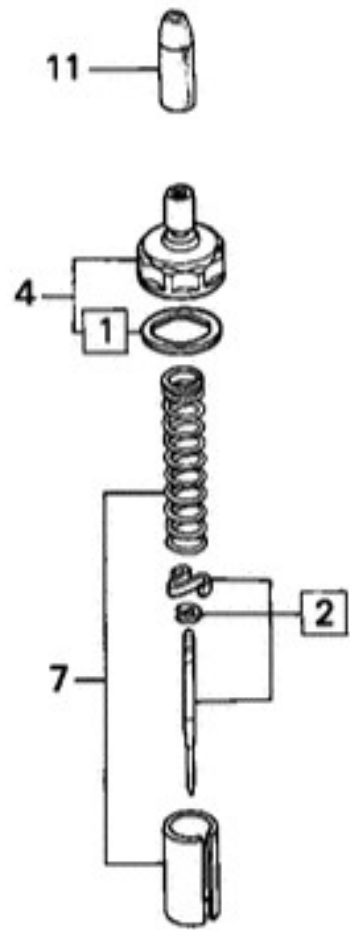
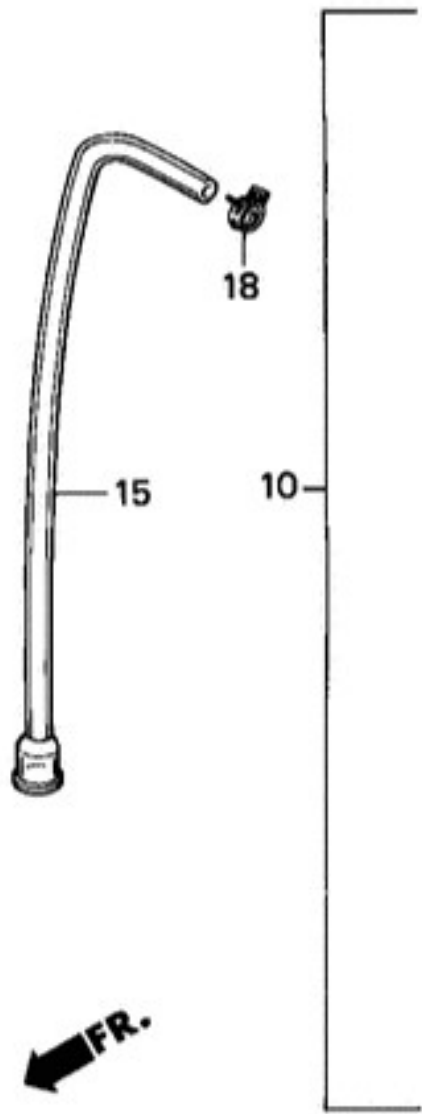
FR. 

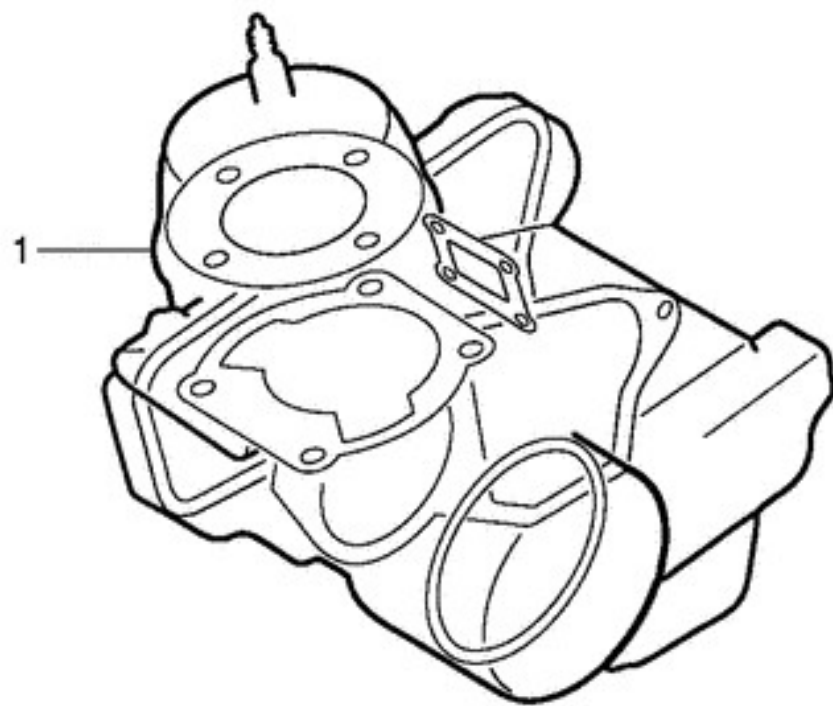


1673-E1000

FR. 

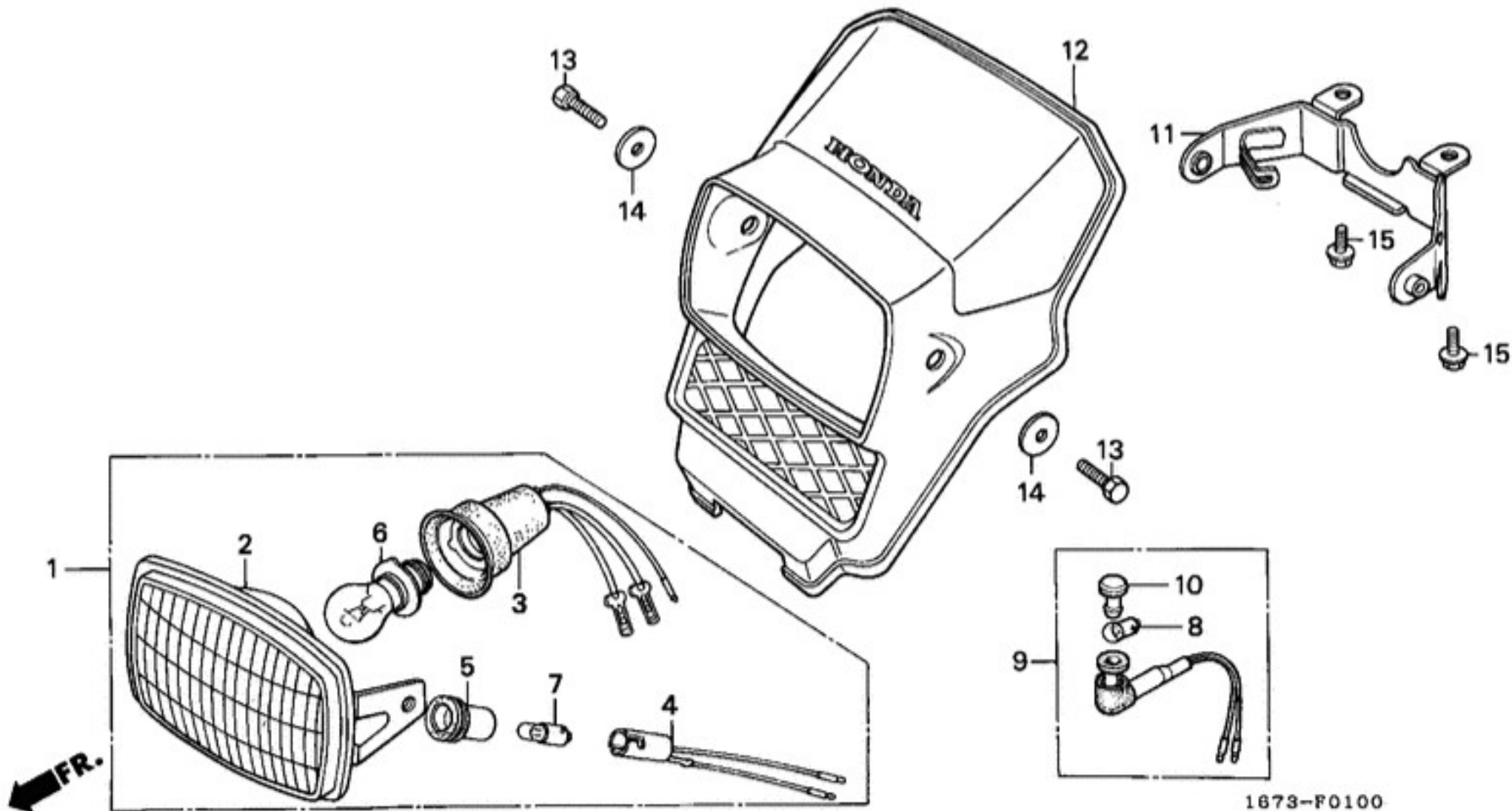




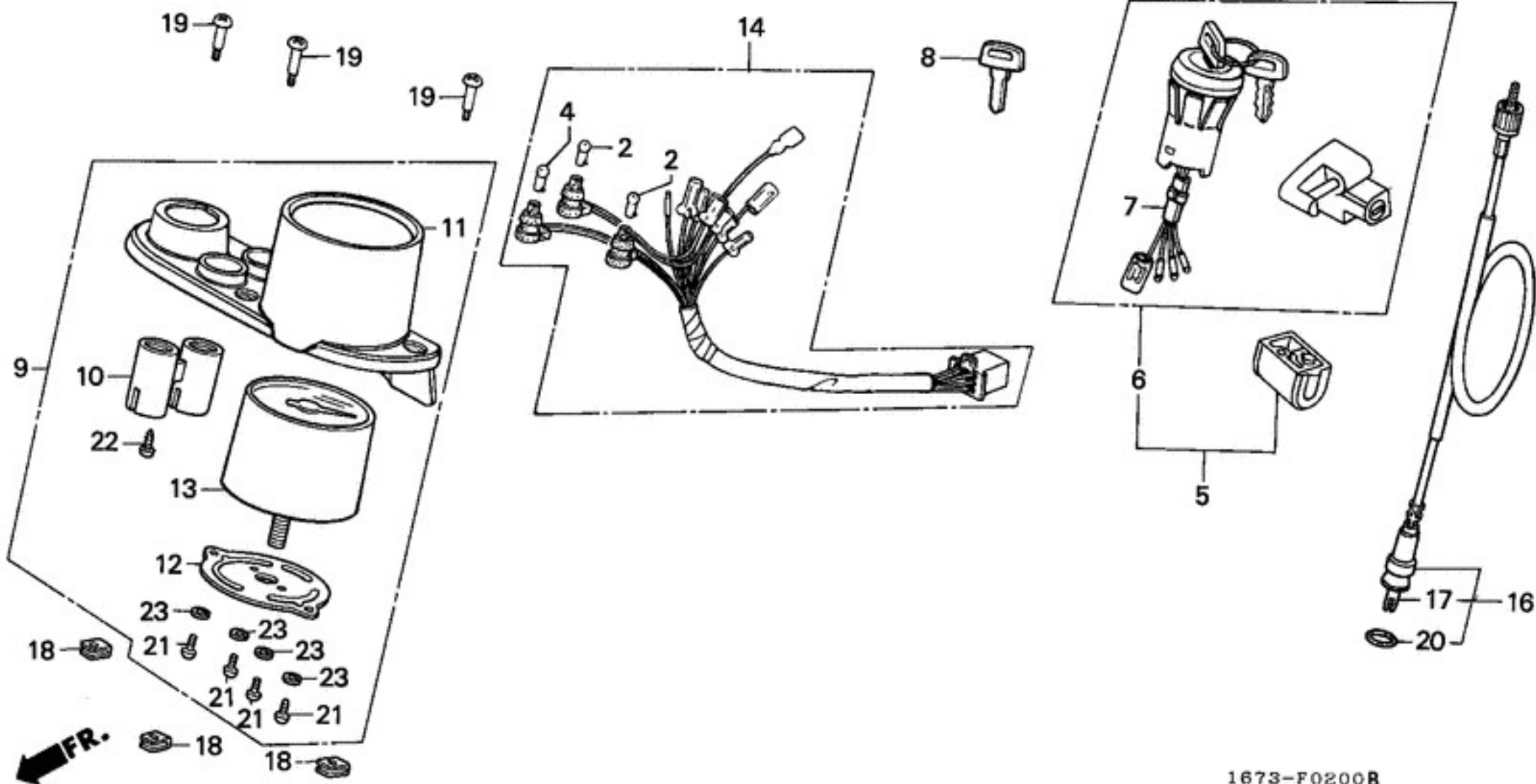


**←FR.**

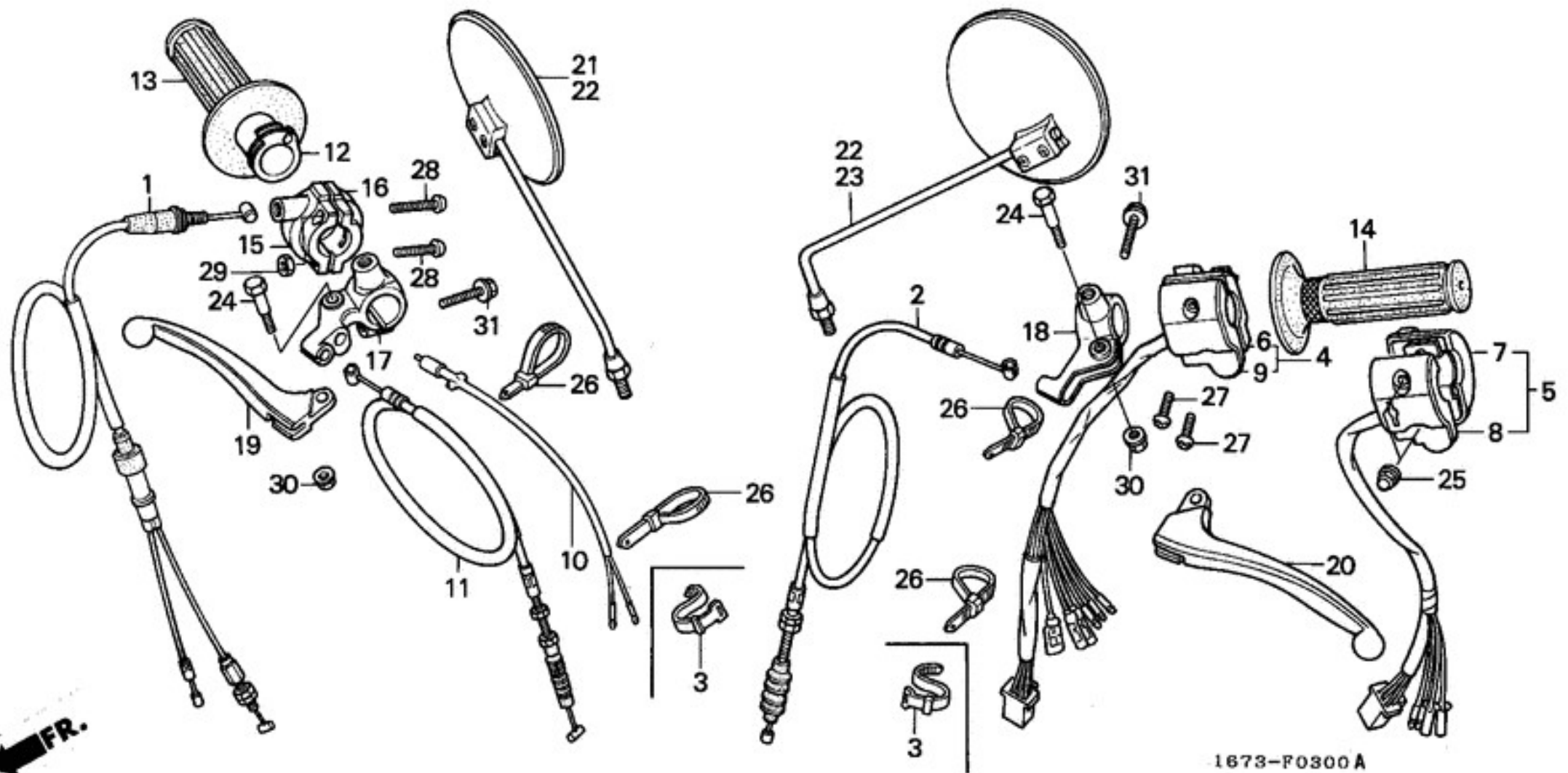
ENG3X0003



1673-F0100



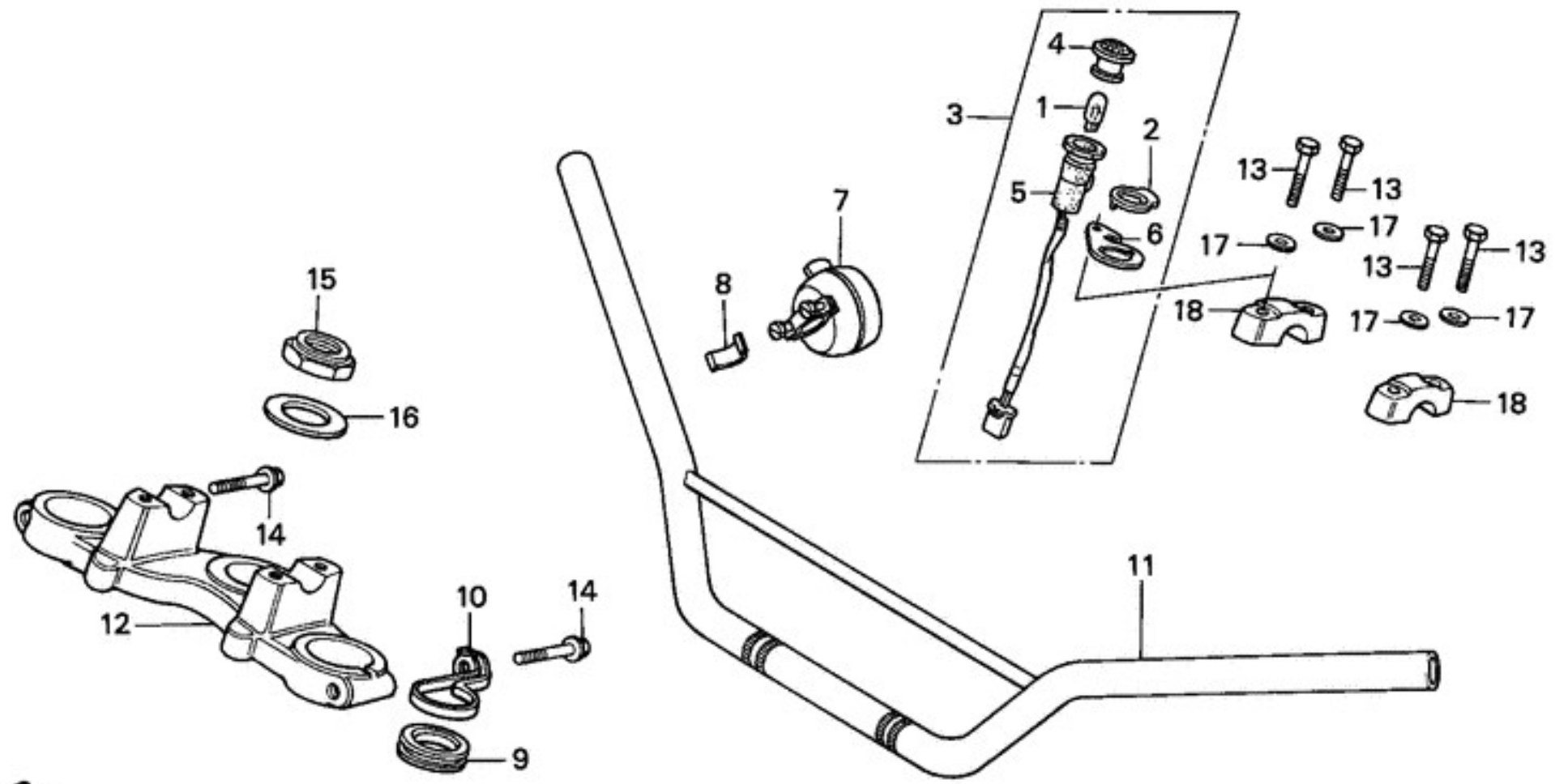
1673-F0200B



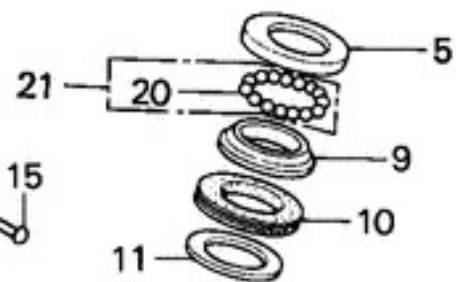
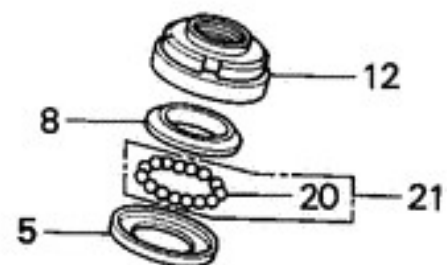
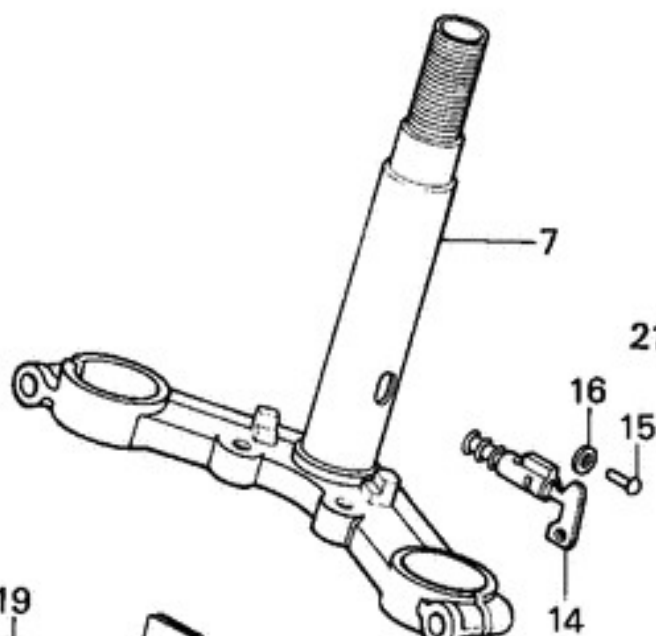
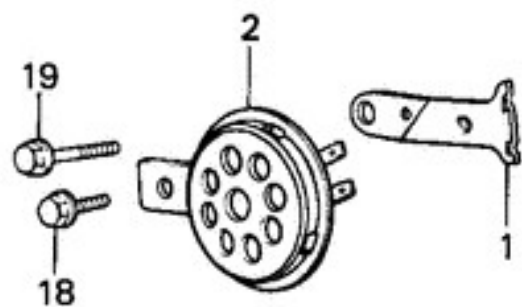
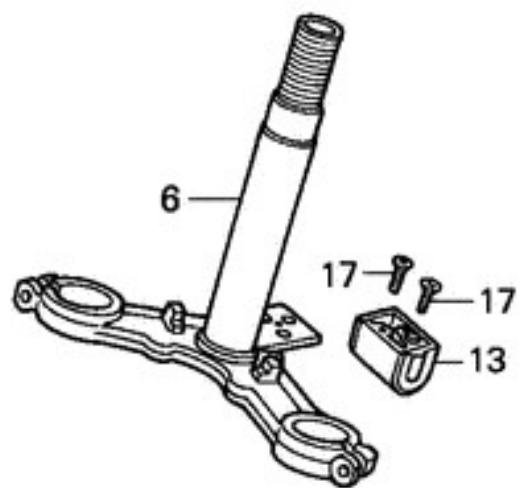
← FR.

1673-F0300 A

←FR.

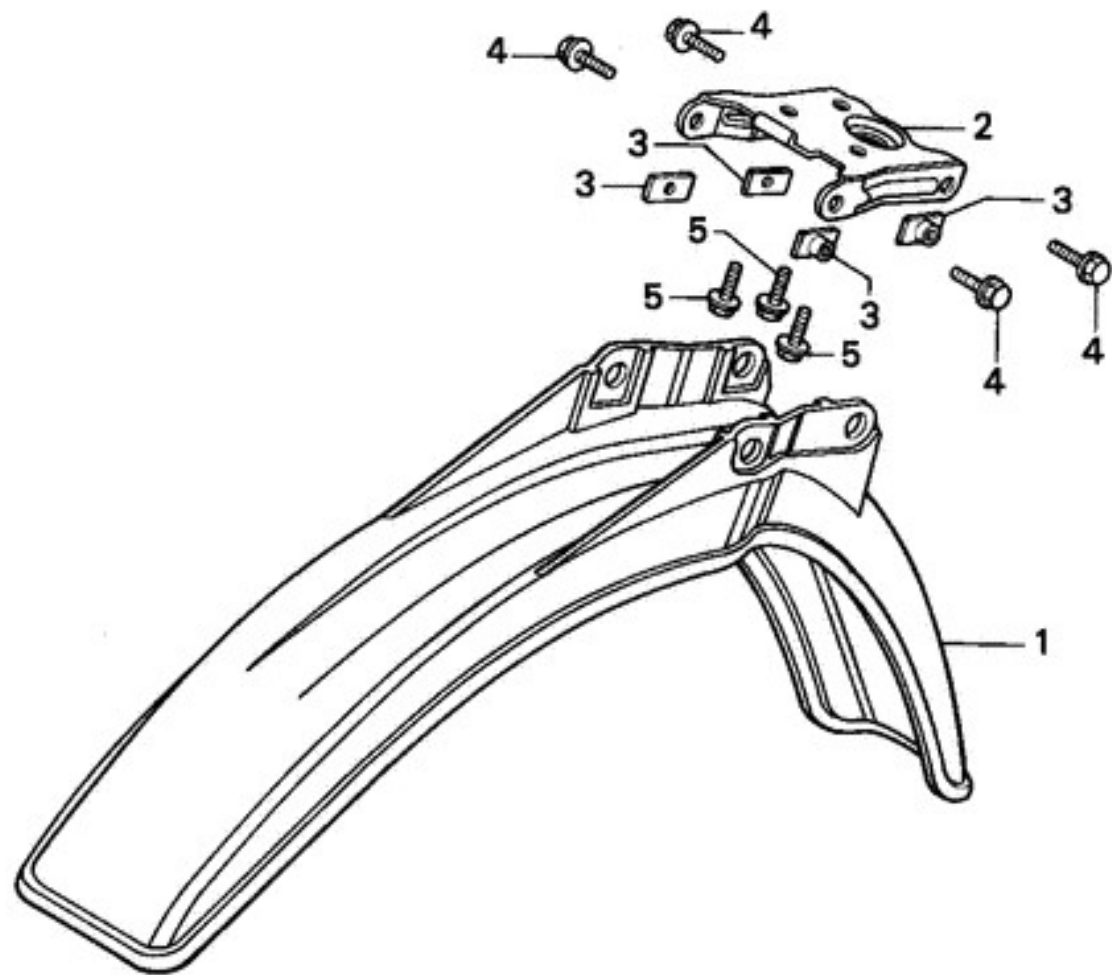


1673-F0400A



←FR.

1673-F0500A

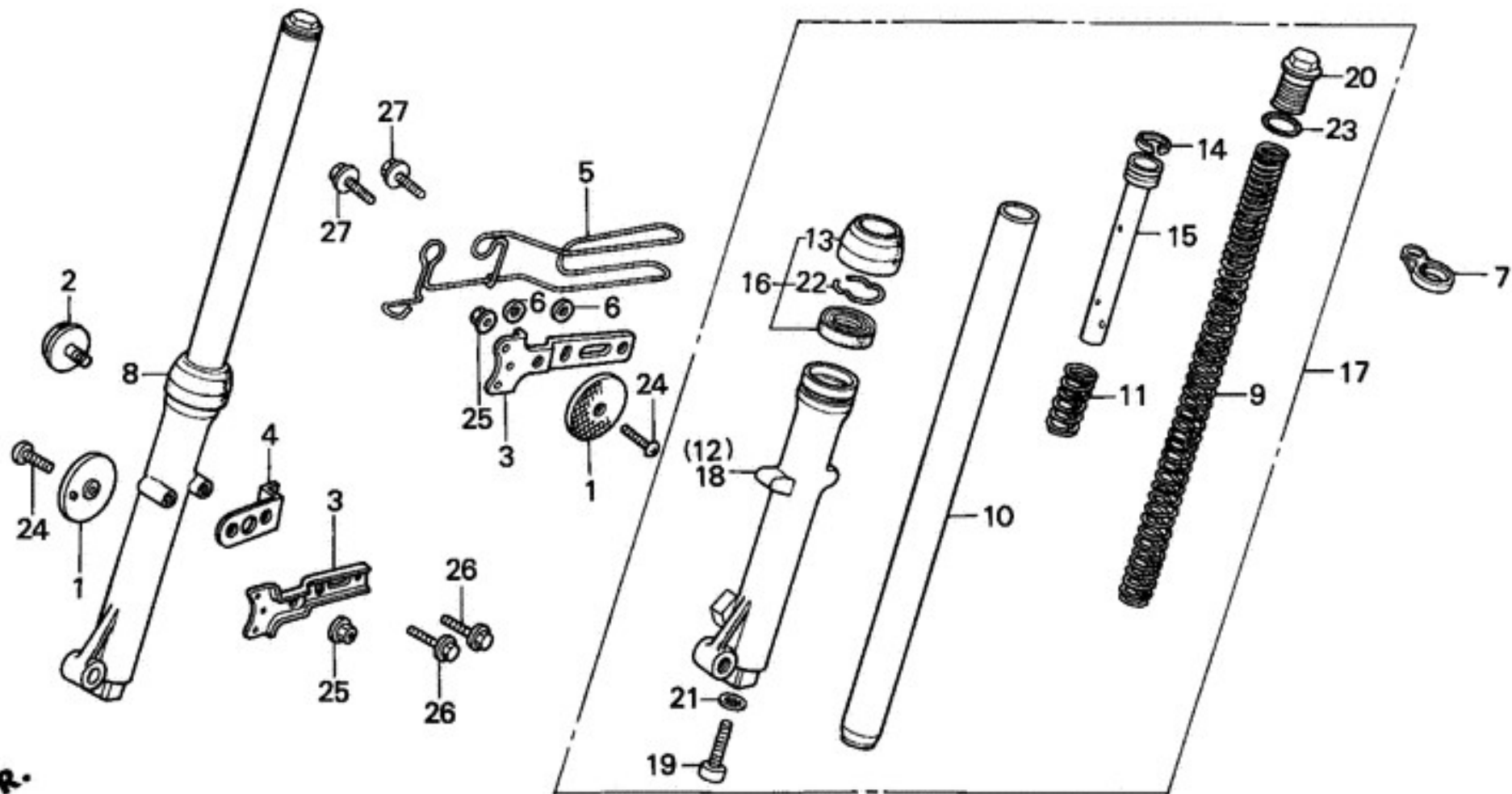


←FR.

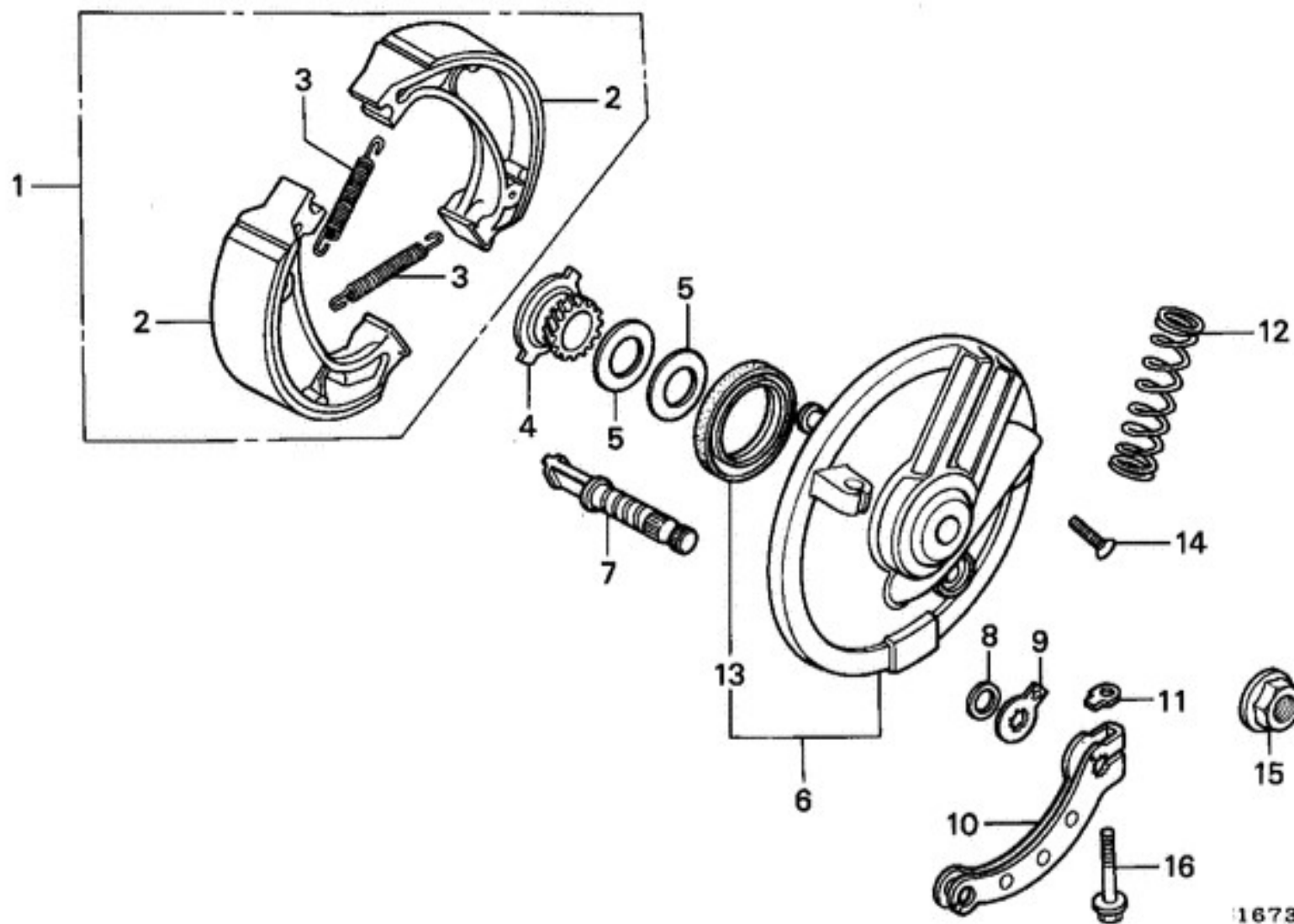
1873-F0600



FR.

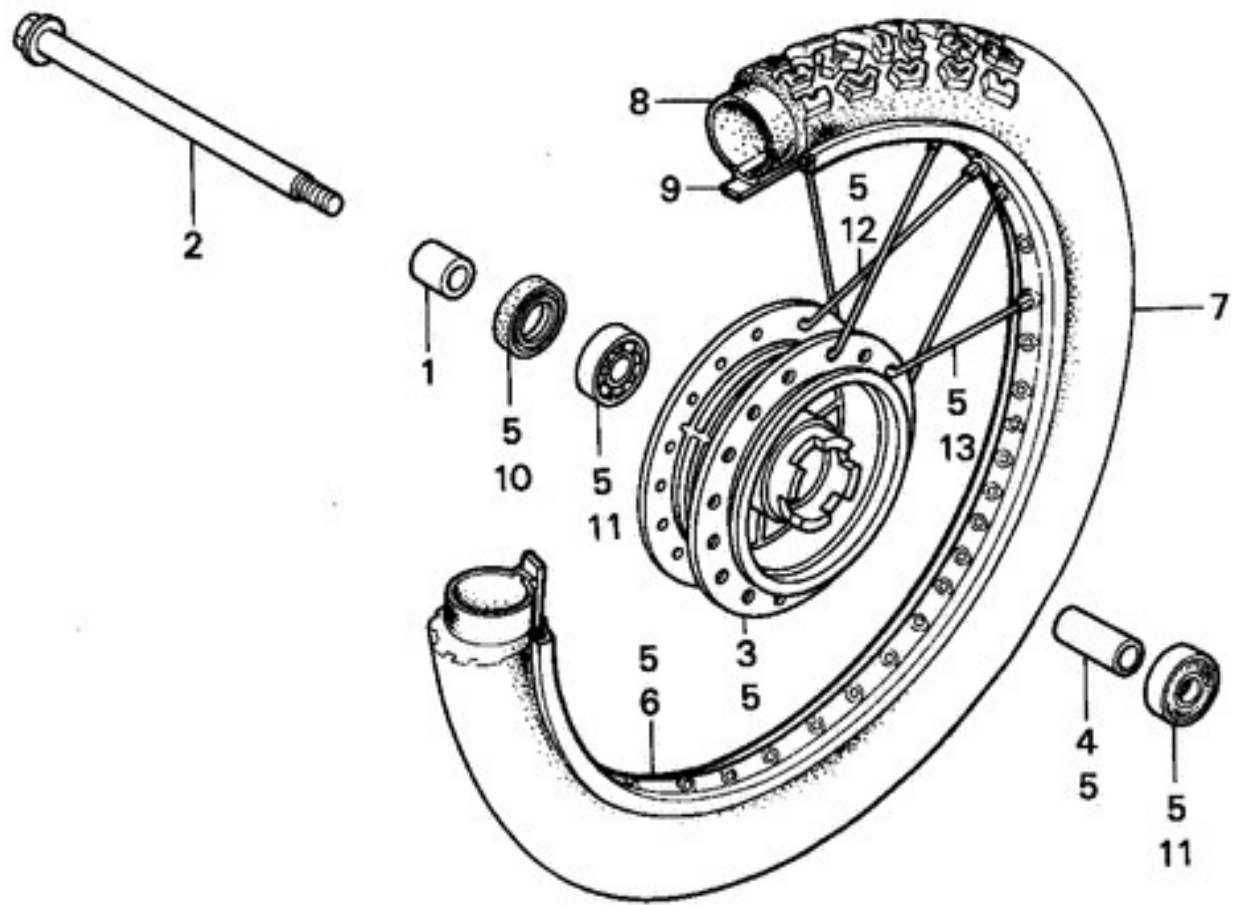


1673-P0700



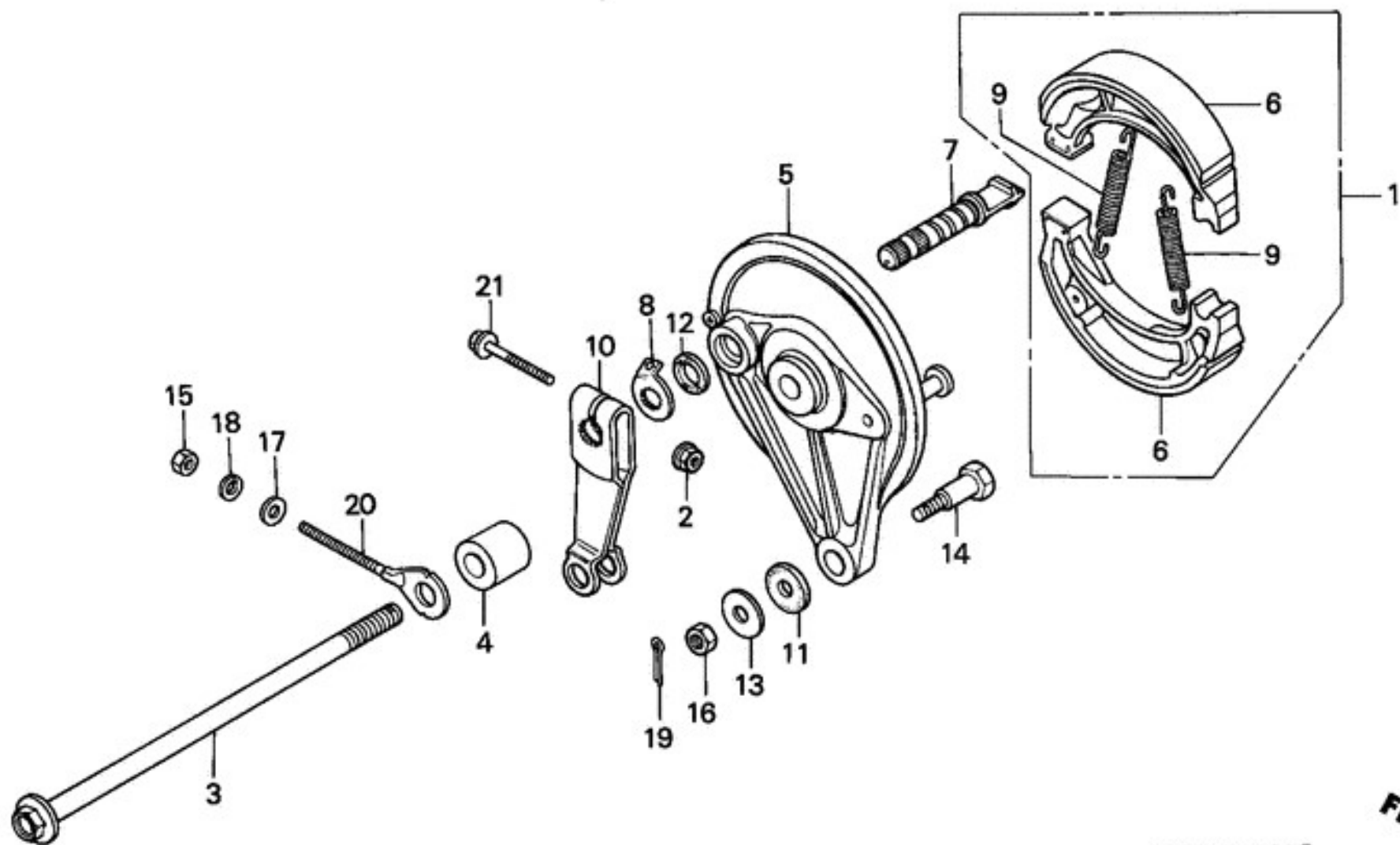
←FR.

1673-F0800A



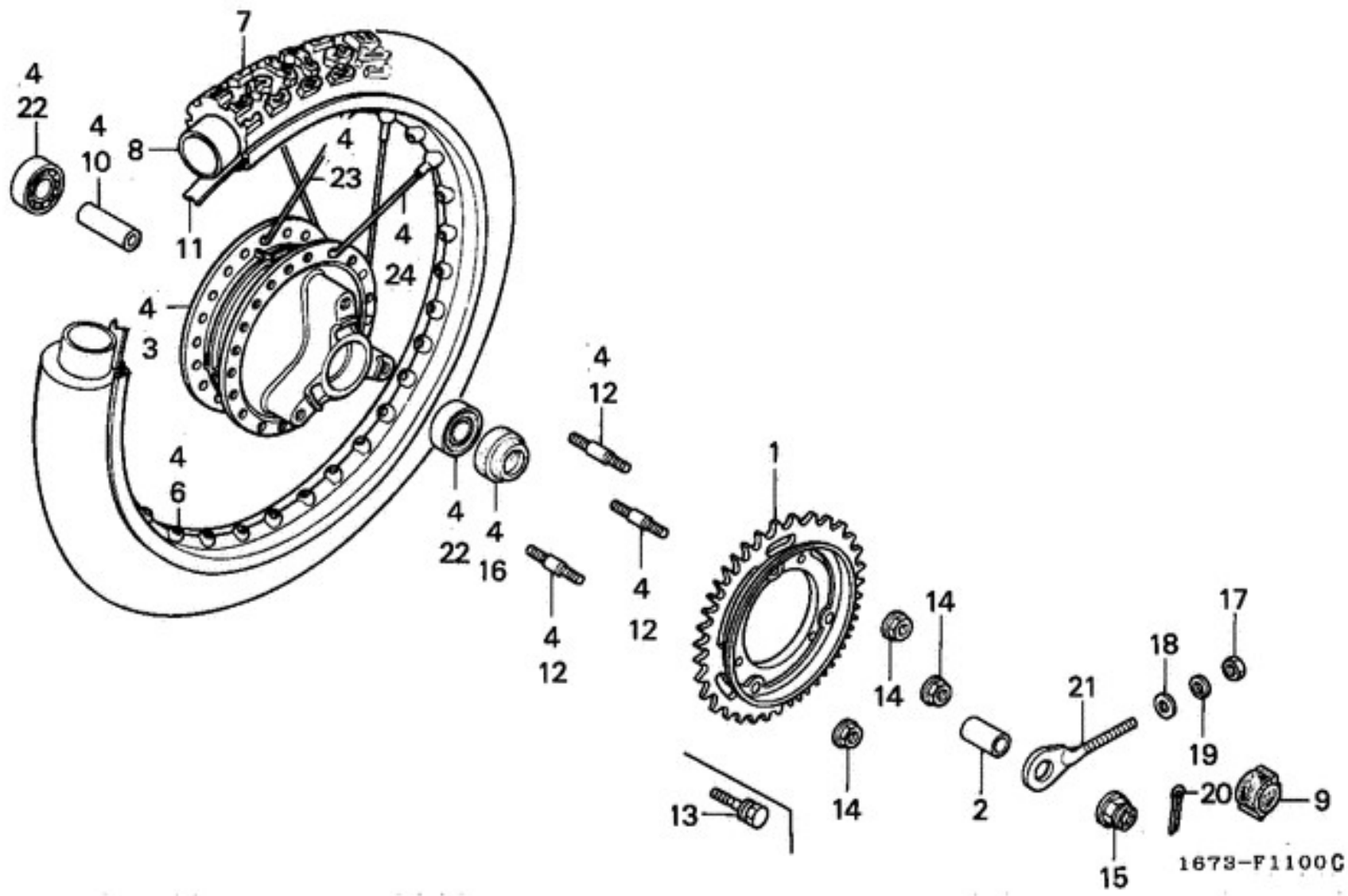
←FR.

1673-F0900A



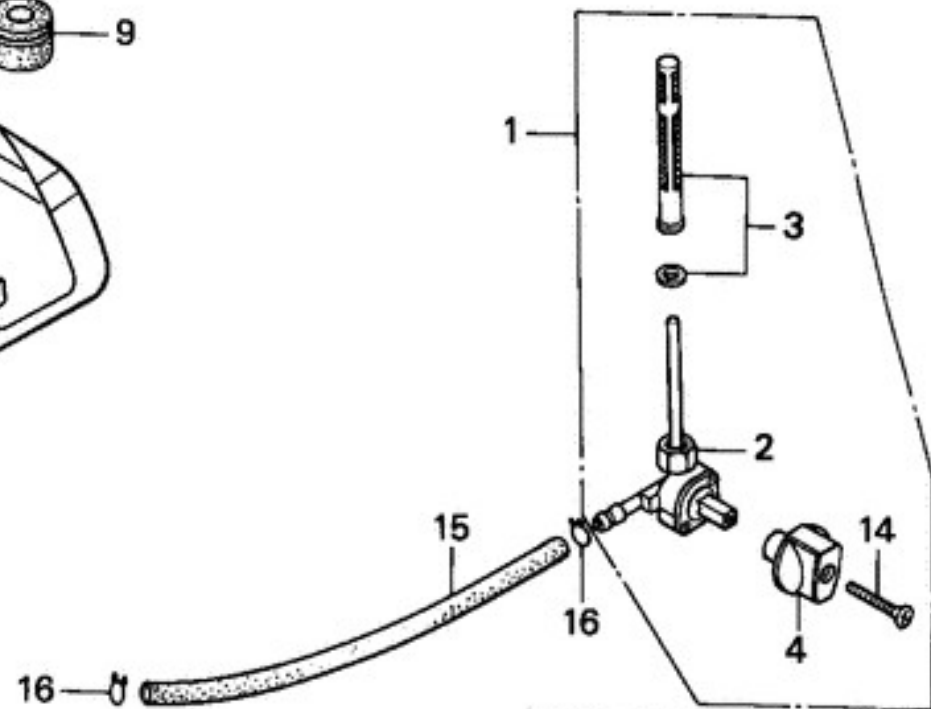
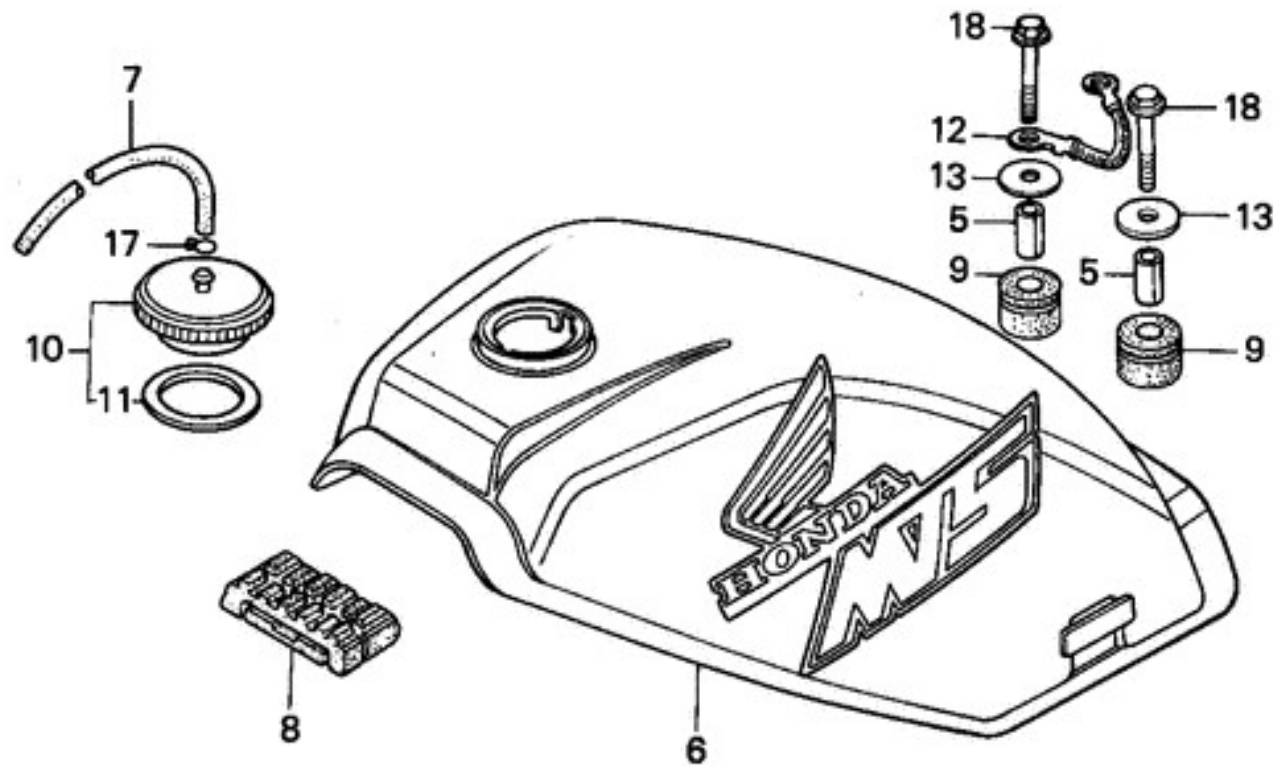
1673-F1000B

FR. 



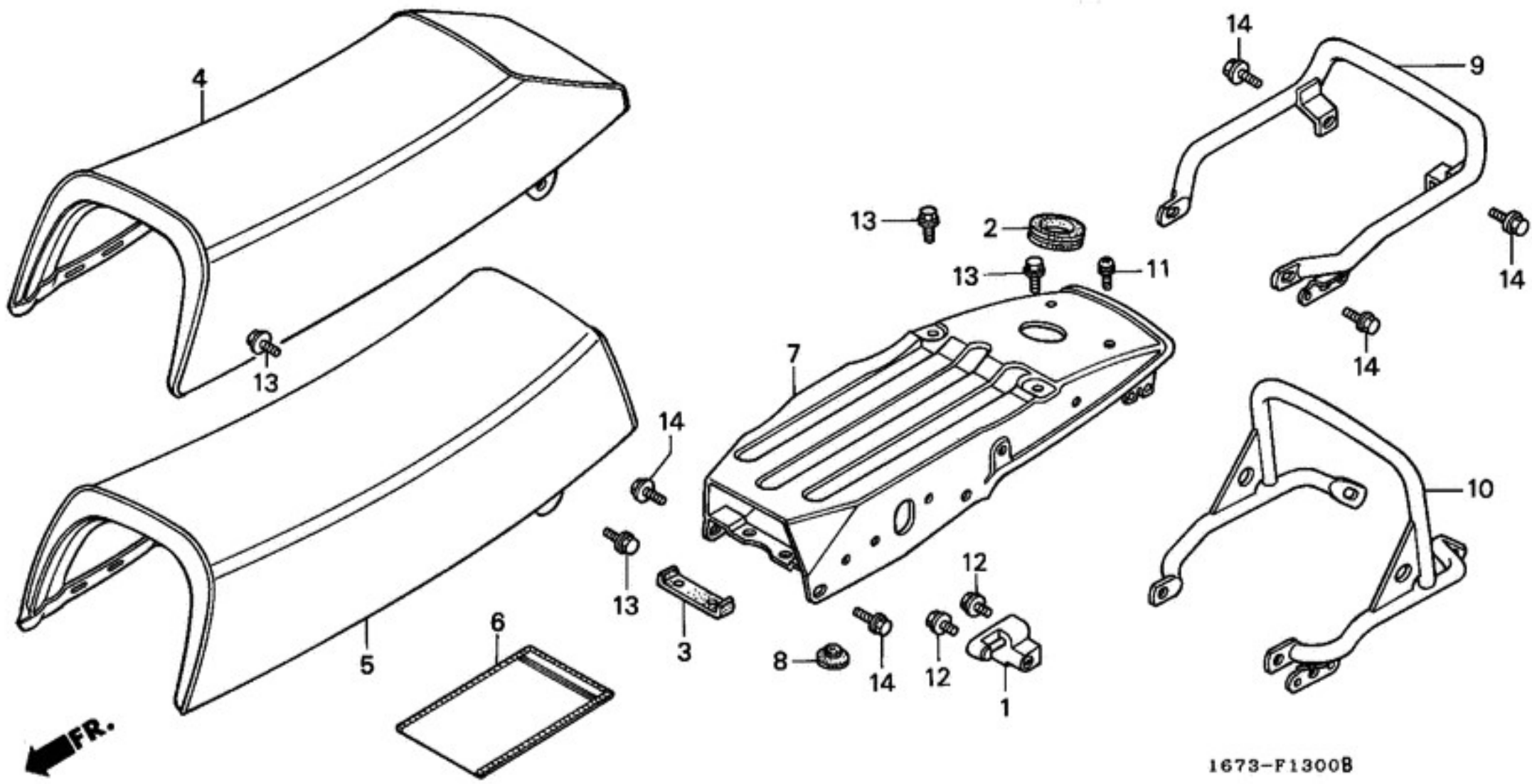
FR.

1673-F1100C

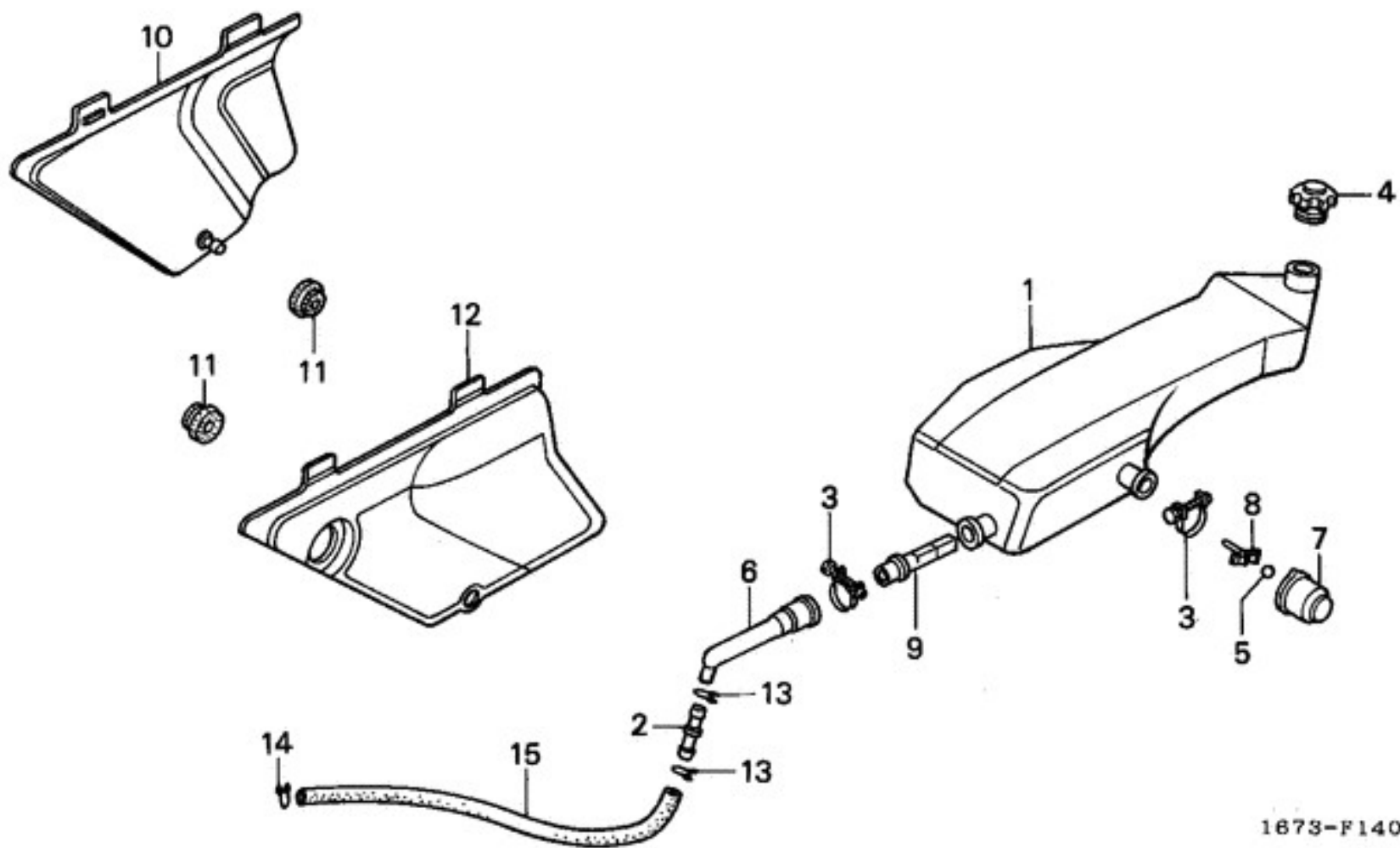


1873-F1200

←FR.



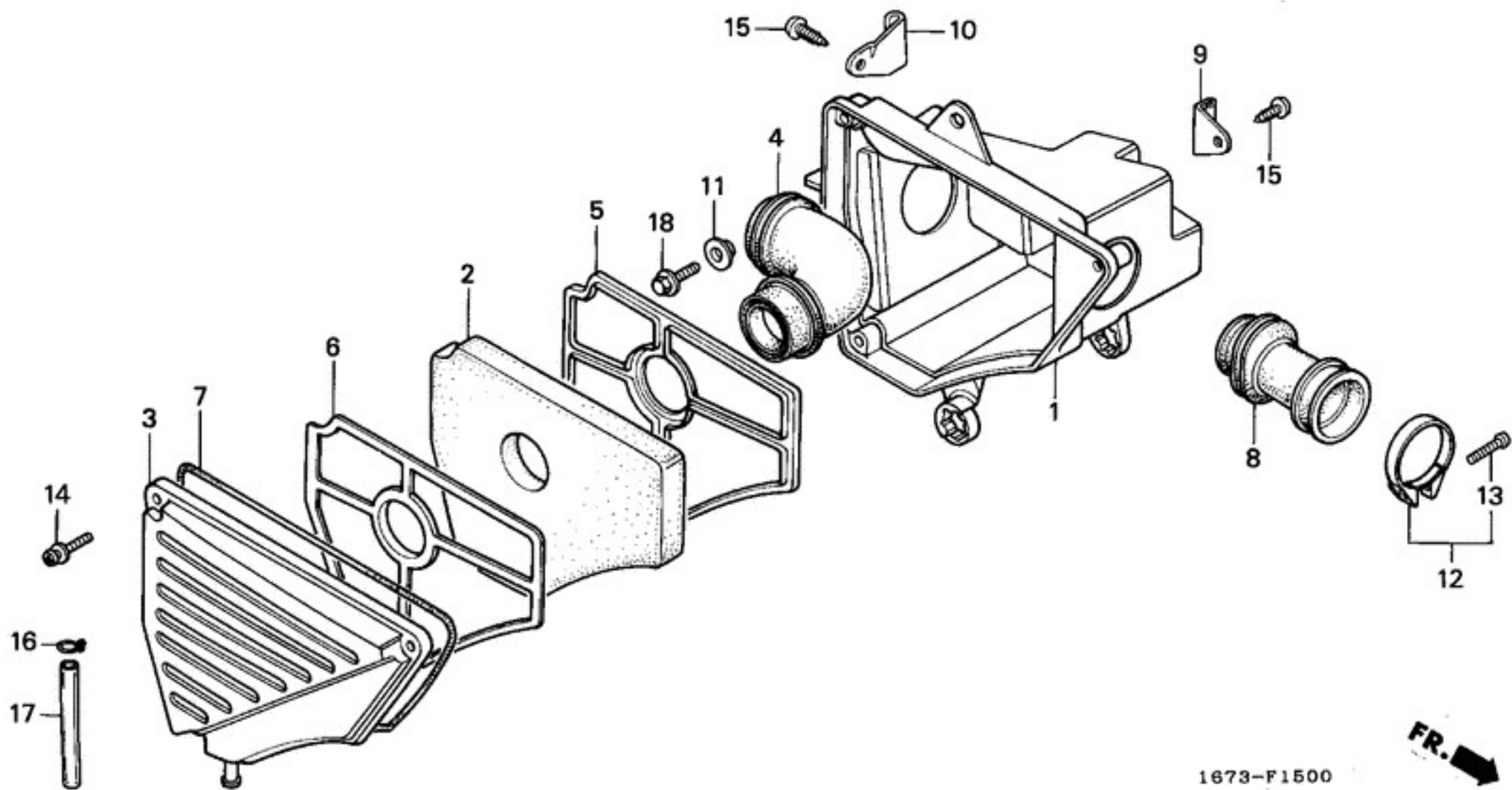
1673-F1300B



FR. ←

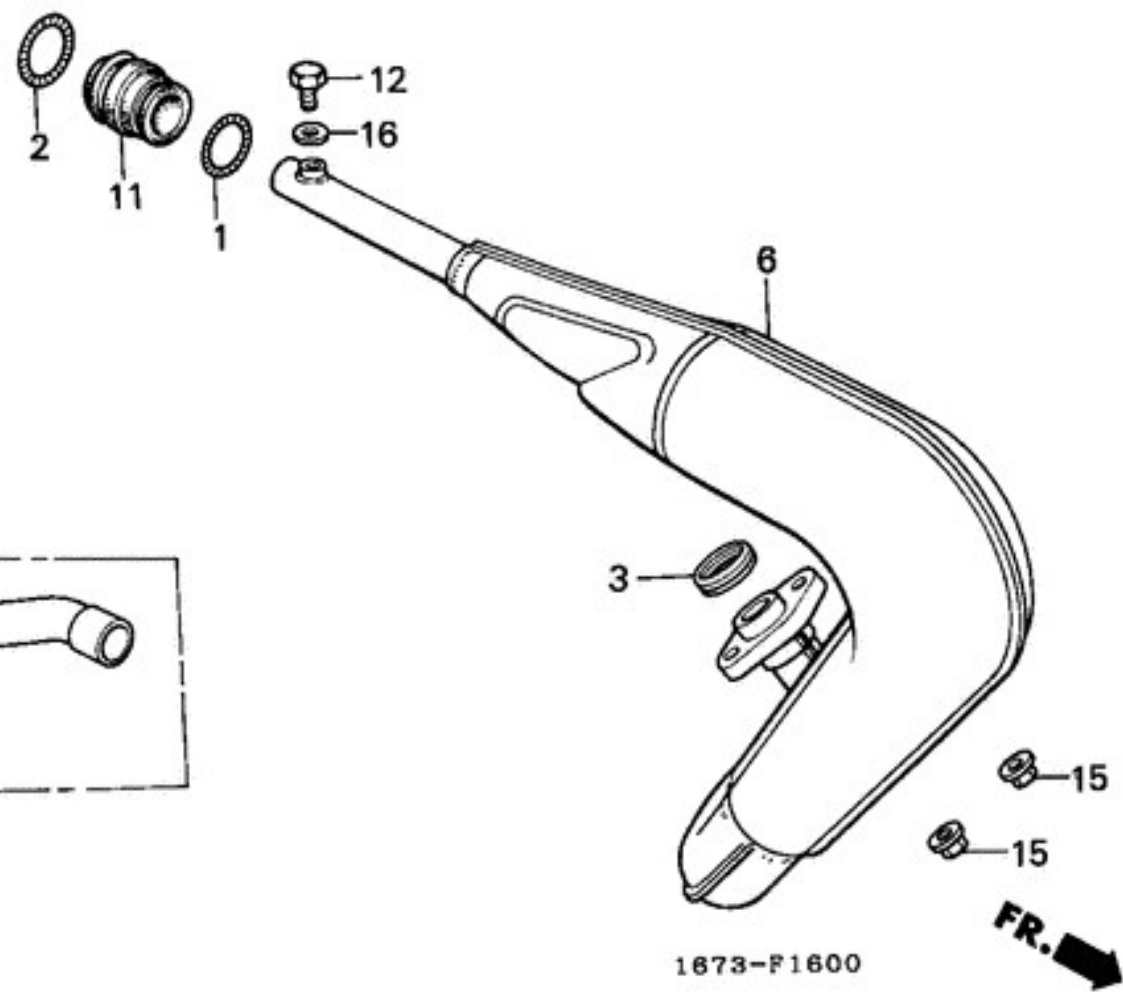
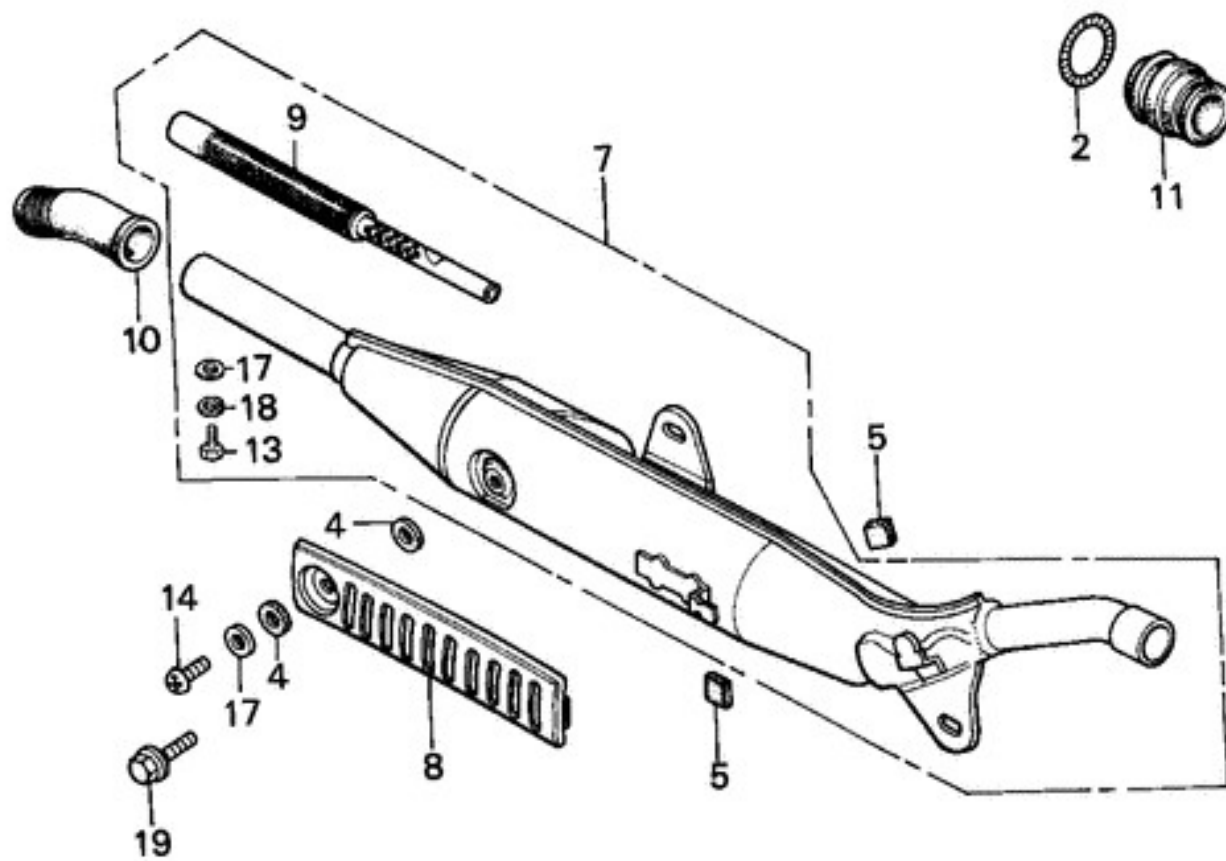
1673-F1400



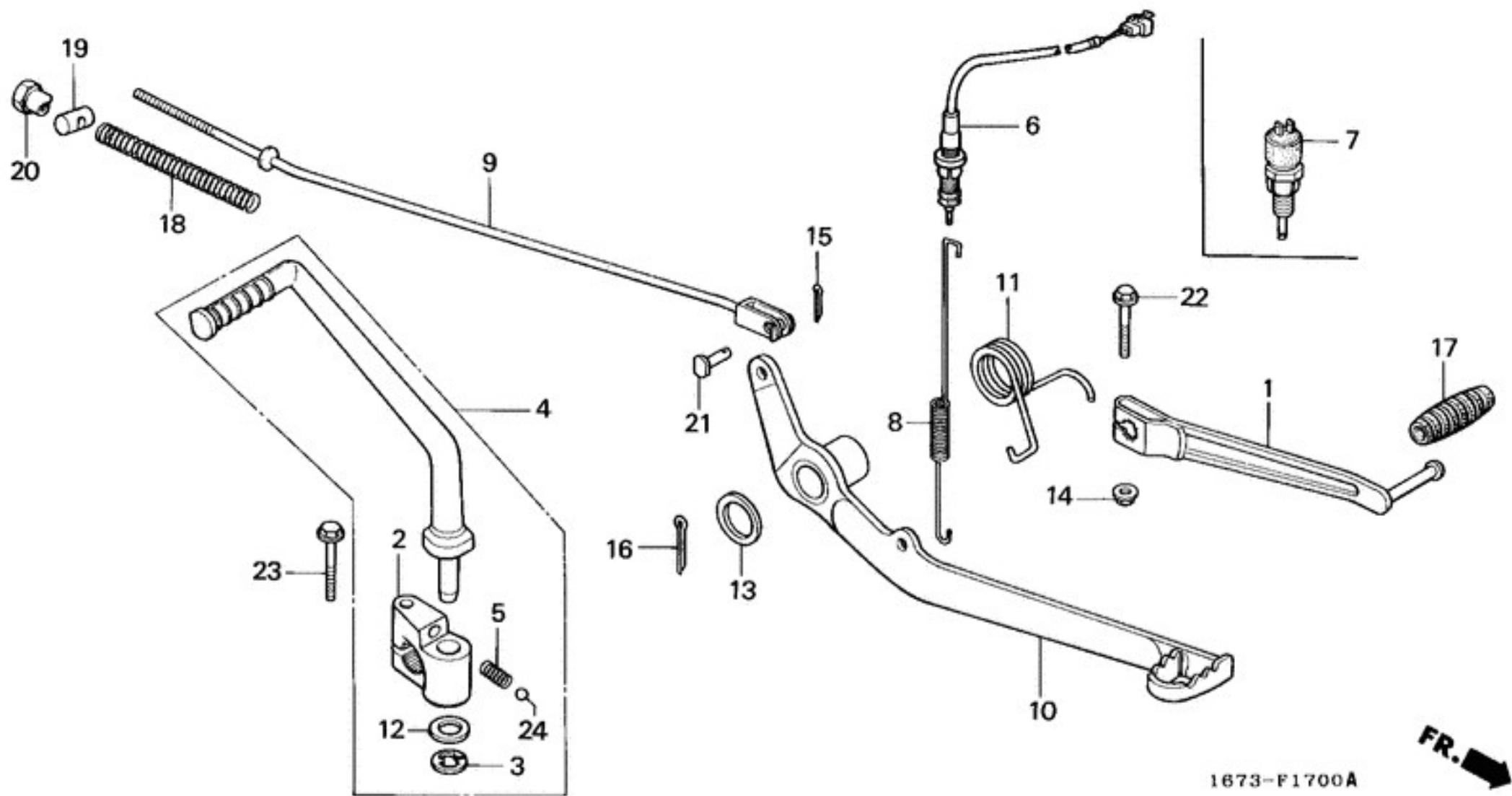


1673-F1500

FR. 

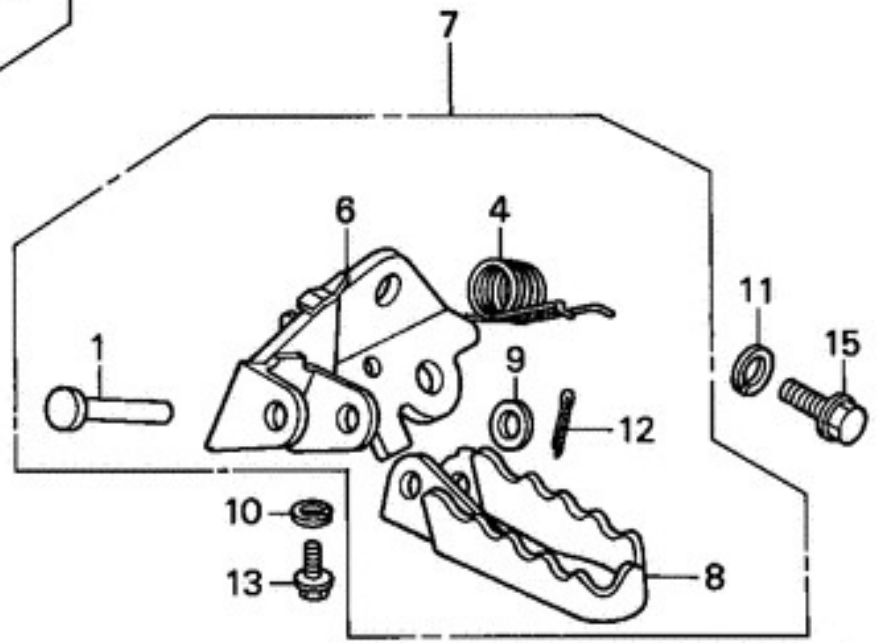
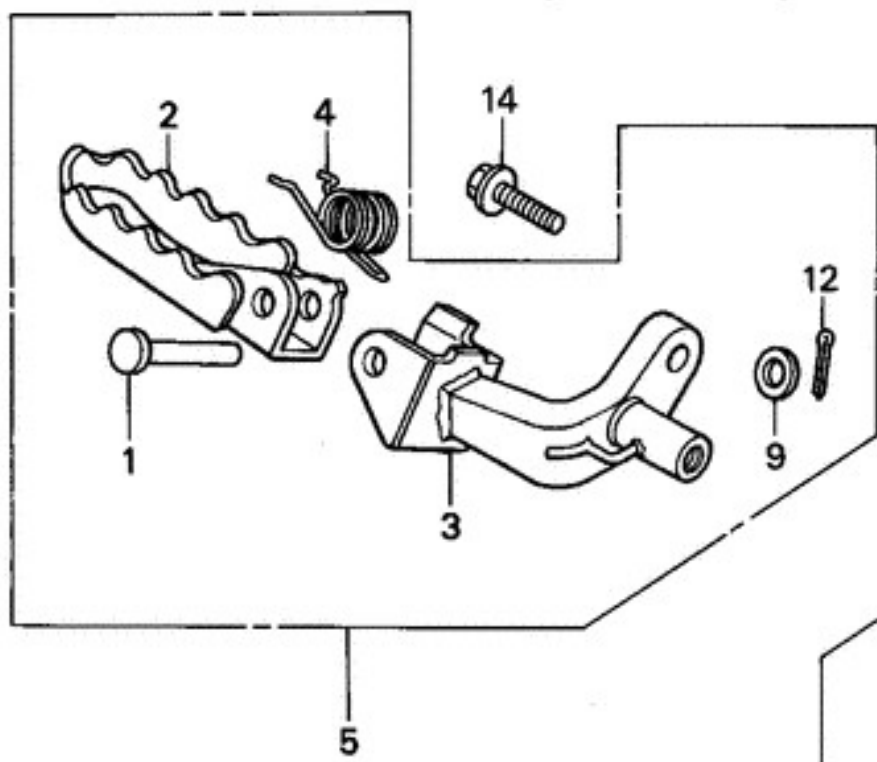


1673-F1600



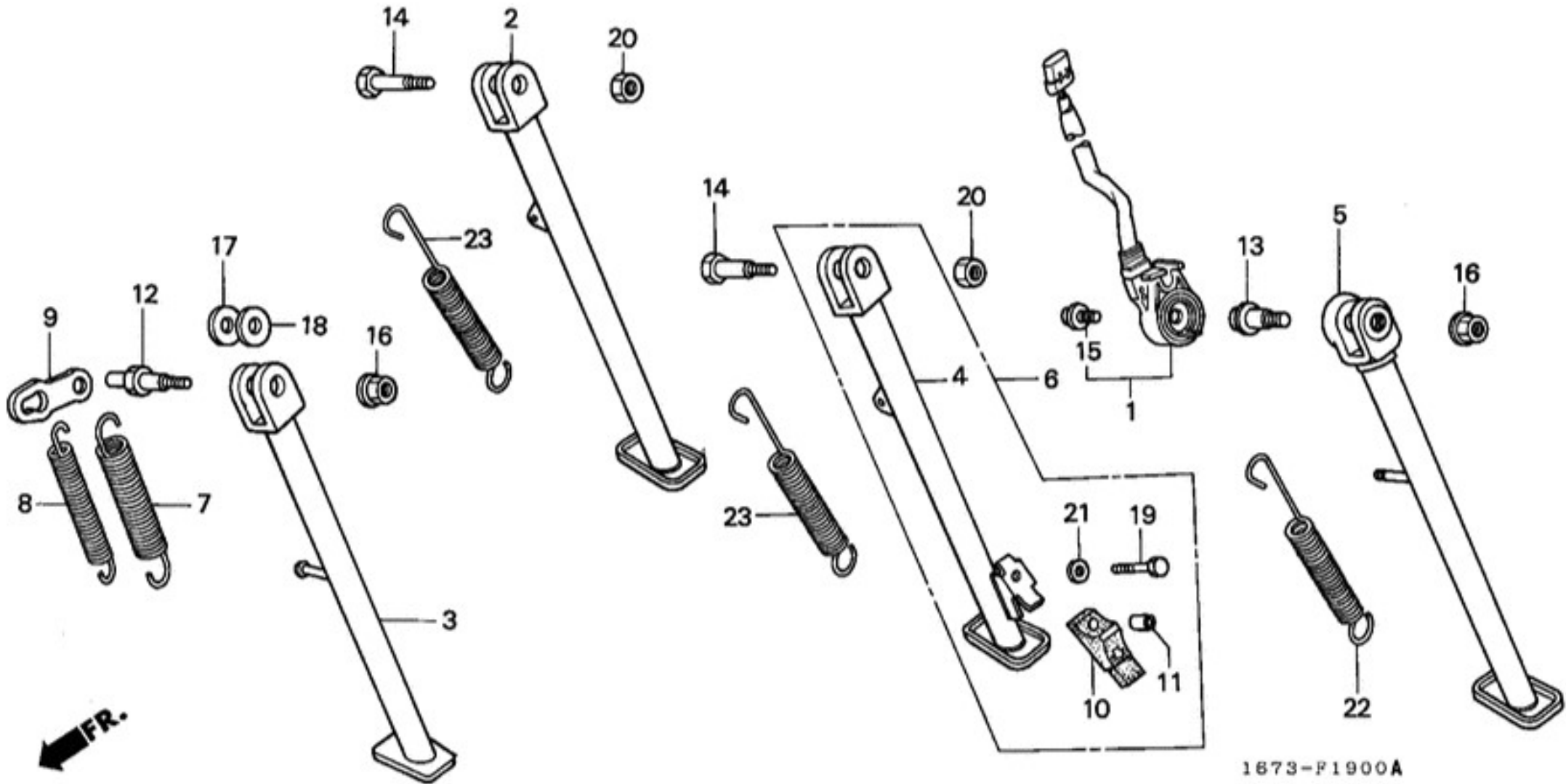
1673-F1700A

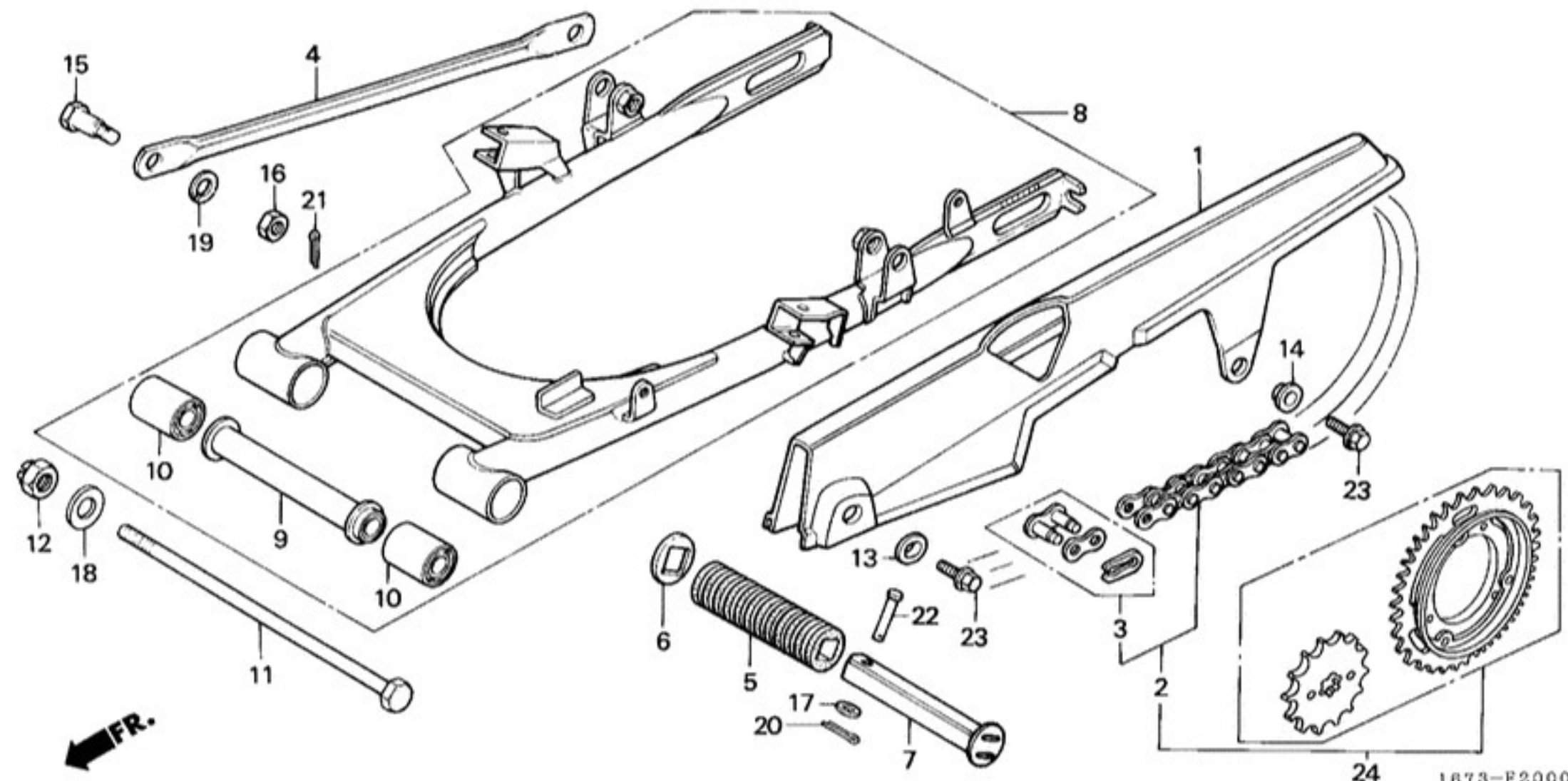
FR. →

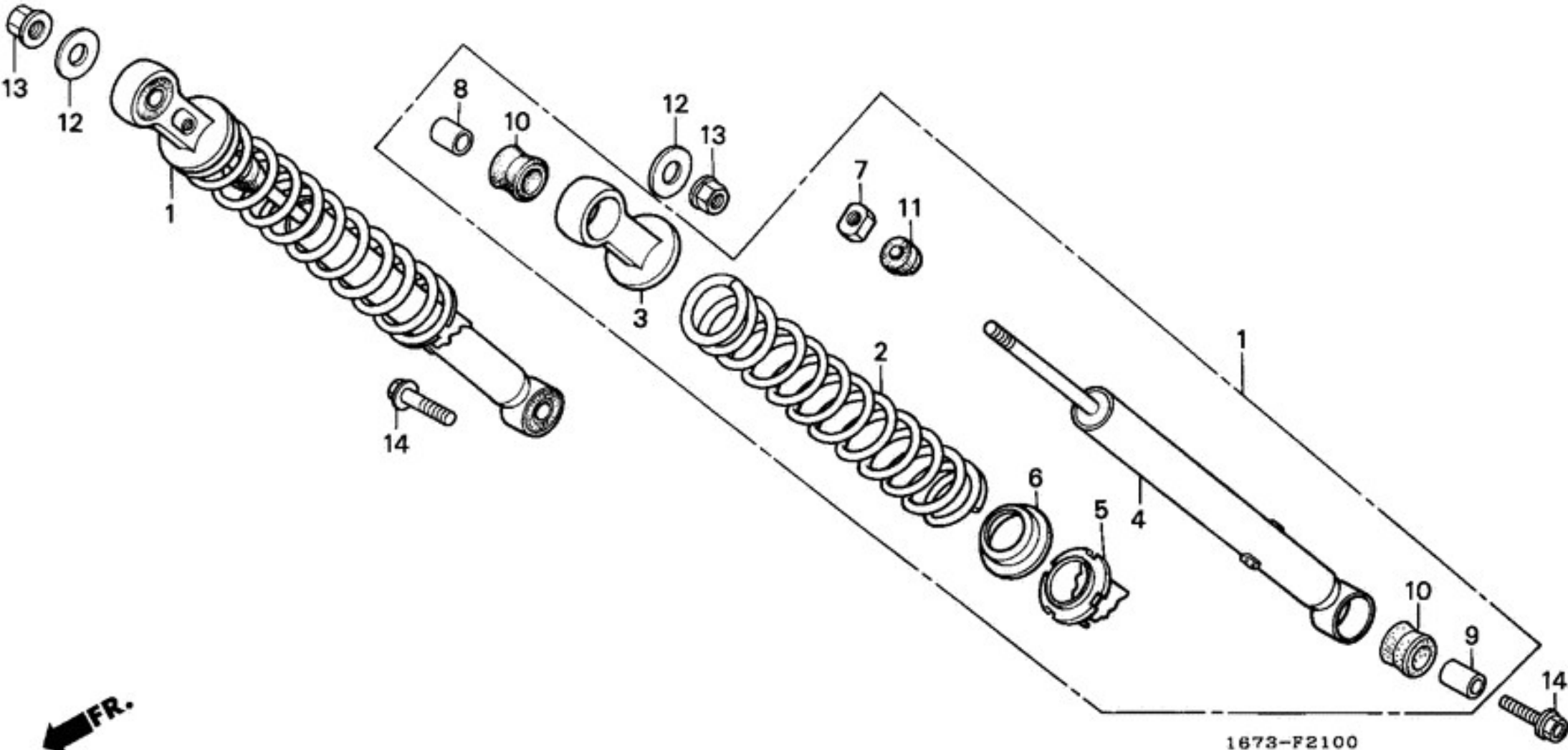


←FR.

1673-F1800

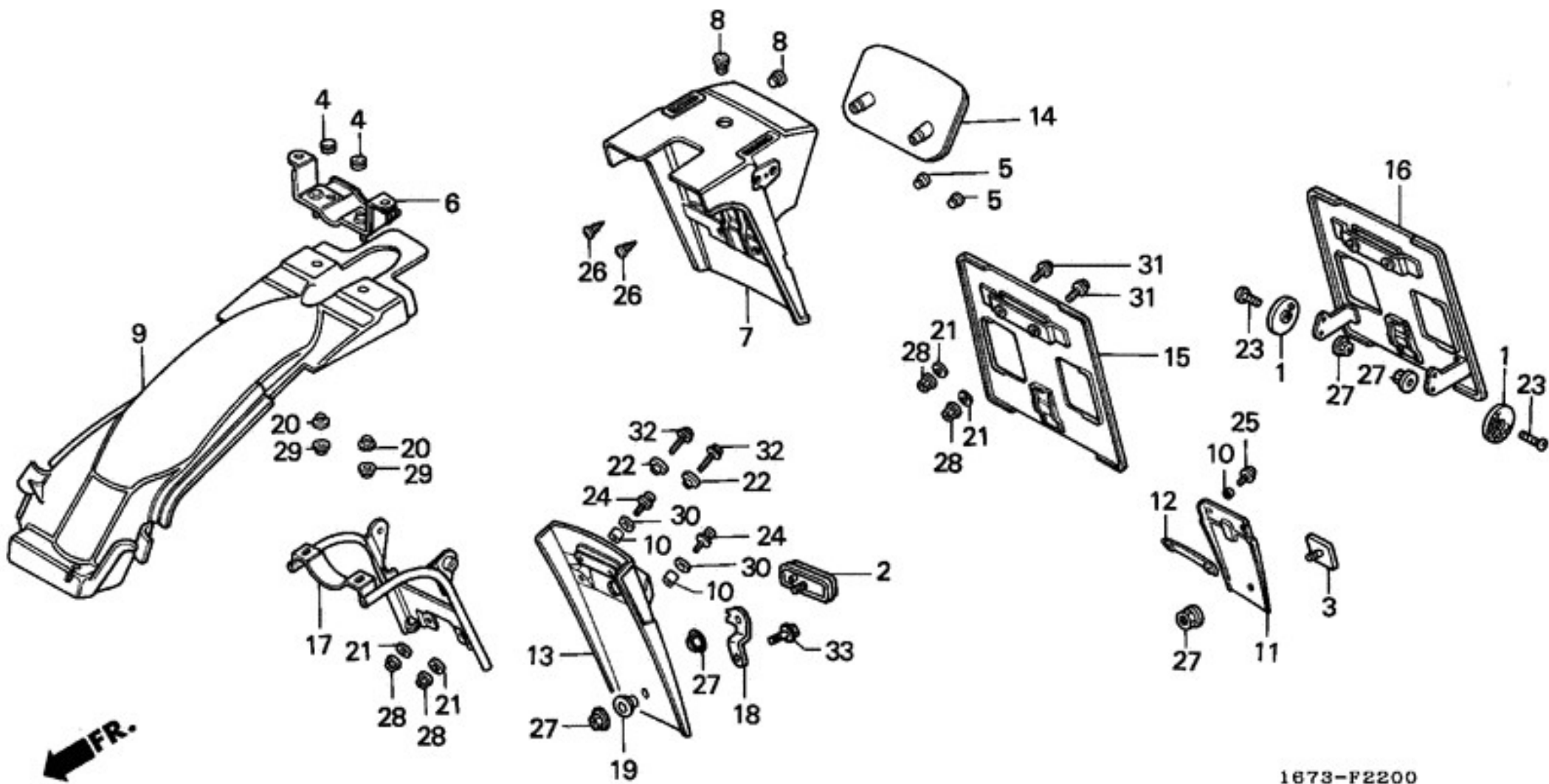






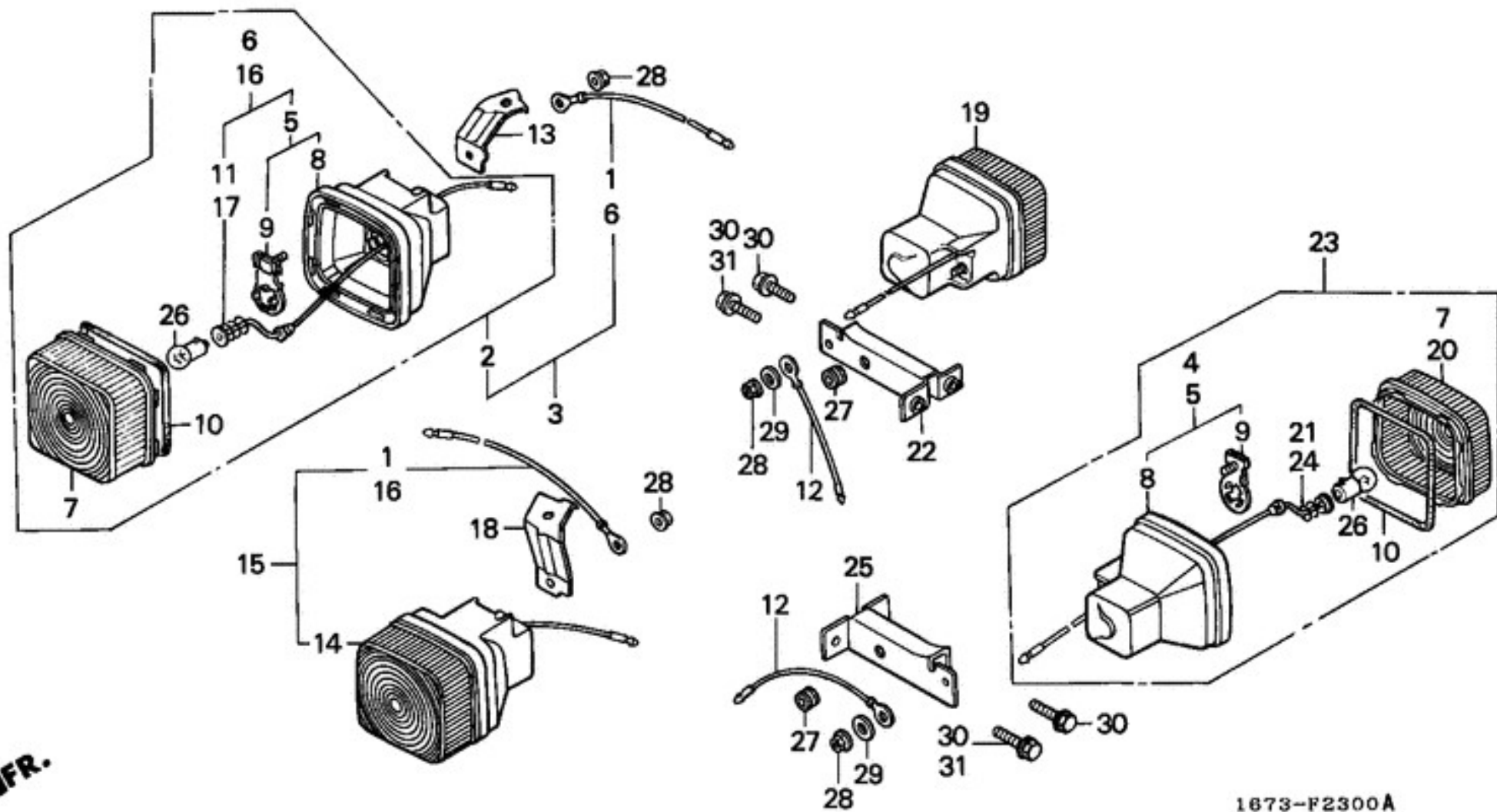
FR.

1673-F2100

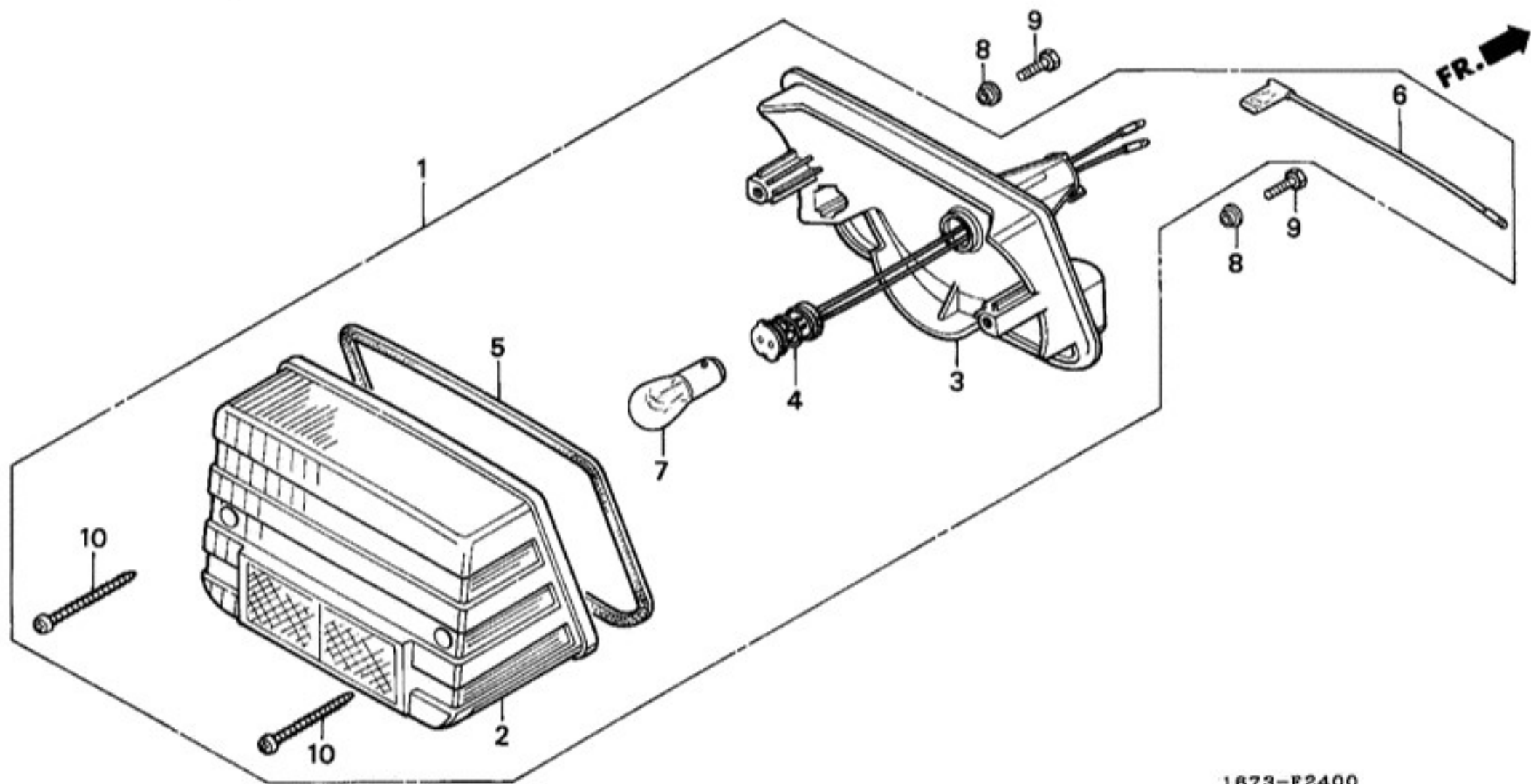


1673-F2200

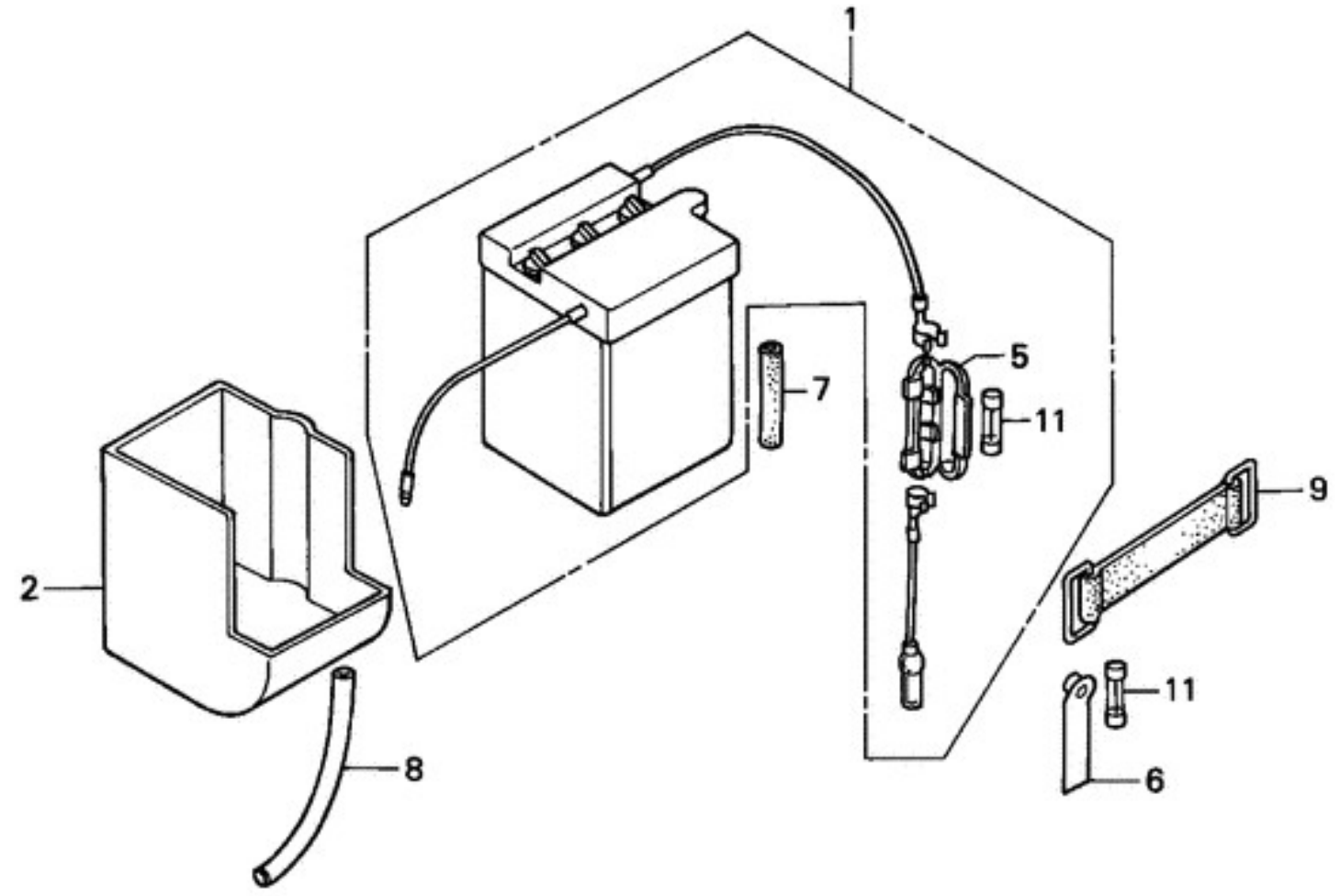
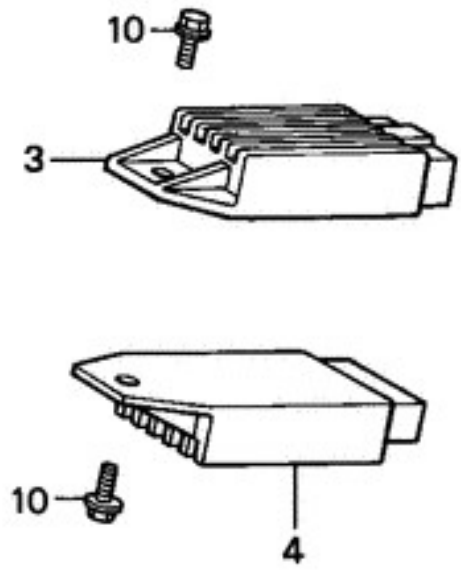




1673-F2300A

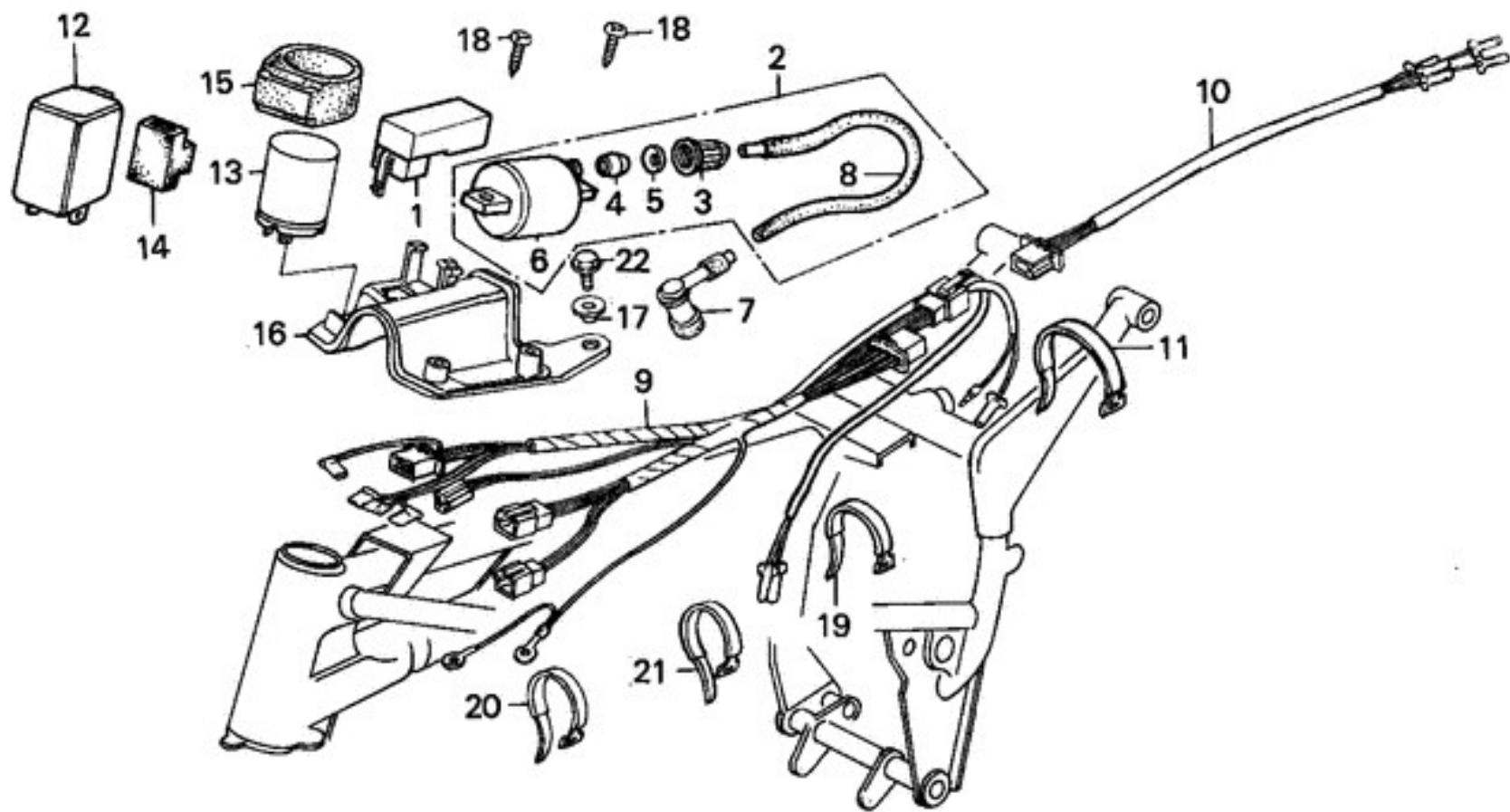


1673-F2400



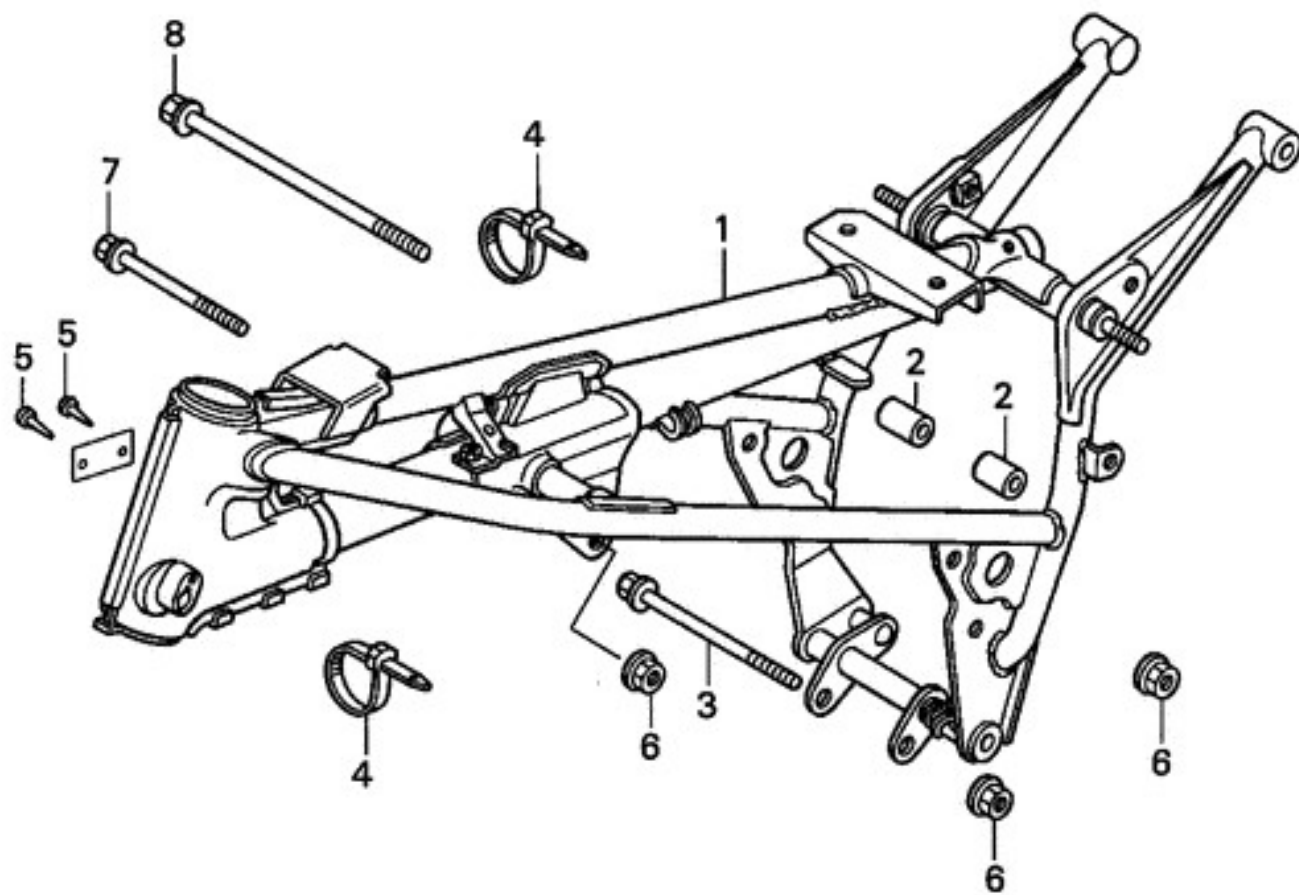
←FR.

1673-P2500



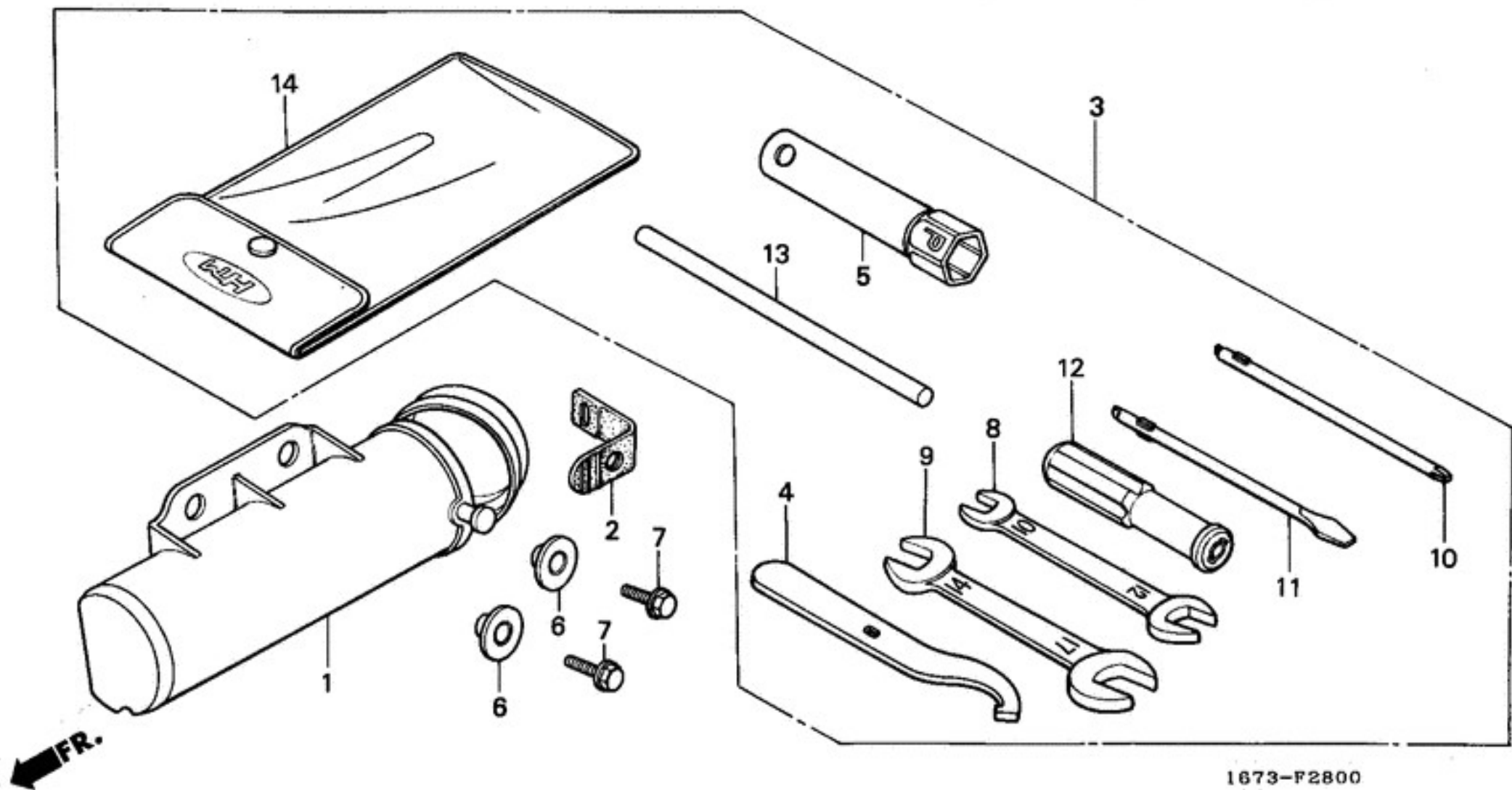
←FR.

1673-F2600A



←FR.

1673-P2700A



1673-F2800

HONDA MOTOR CO.,LTD

3

REMEMBER | SOUVENEZ -VOUS | ACHTUNG

8

CAUTION

5

OIL

10

CHECK OIL

6

HELMET HOLDER

7

IMPORTANT | INFORMATION

4

COLOR CODE

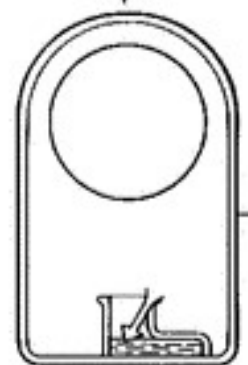
9

HONDA MOTOR CO., LTD.

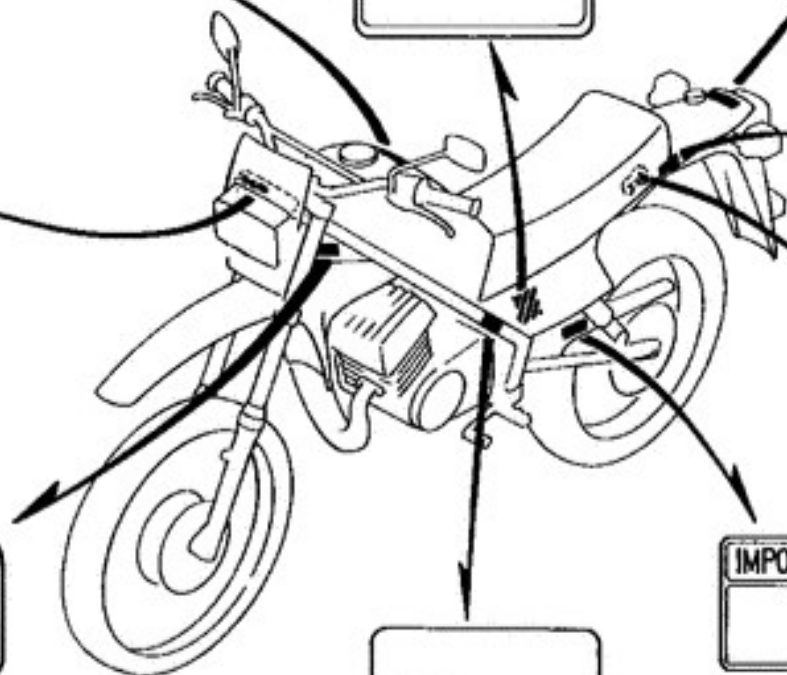
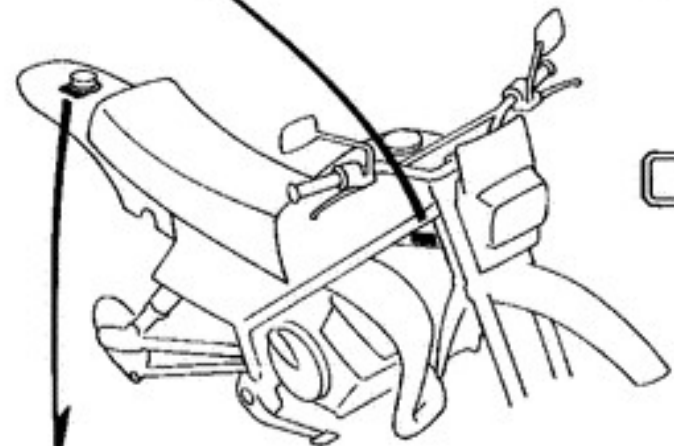
2

HIGH BEAM

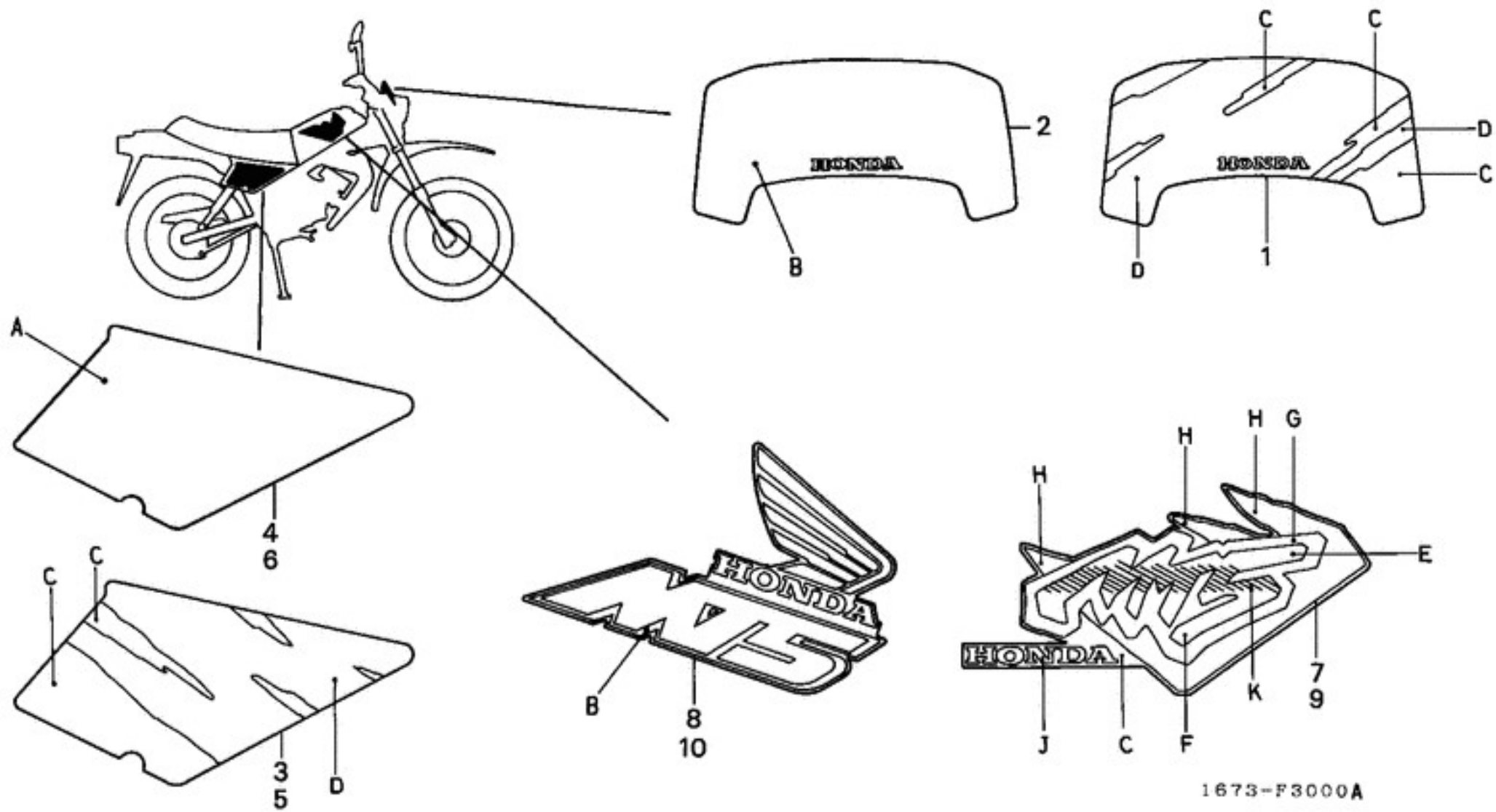
1



11



1673-F2900A



1673-F3000A