



YAMAHA

YSR50T

Service Manual

**YSR50T
SERVICE MANUAL**

**©1987 by Yamaha Motor Corporation, U.S.A.
1st Edition, March 1987**

**All rights reserved. Any reprinting or
unauthorized use without the written
permission of Yamaha Motor Corporation,
U.S.A. is expressly prohibited.**

**Printed in U.S.A.
P/No. LIT-11616-06-05**

NOTICE

This manual was written by the Yamaha Motor Company primarily for use by Yamaha dealers and their qualified mechanics. It is not possible to put an entire mechanic's education into one manual, so it is assumed that persons using this book to perform maintenance and repairs on Yamaha motorcycles have a basic understanding of the mechanical concepts and procedures inherent in motorcycle repair technology. Without such knowledge, attempted repairs or service to this model may render it unfit to use and/or unsafe.

Yamaha Motor Company, Ltd. is continually striving to improve all models manufactured by Yamaha. Modifications and significant changes in specifications or procedures will be forwarded to all Authorized Yamaha dealers and will, where applicable, appear in future editions of this manual.

TECHNICAL PUBLICATIONS
SERVICE DIVISION
MOTORCYCLE OPERATIONS
YAMAHA MOTOR CO., LTD.

HOW TO USE THIS MANUAL

PARTICULARLY IMPORTANT INFORMATION

This material is distinguished by the following notation.

NOTE: A NOTE provides key information to make procedures easier or clearer.

CAUTION:

A CAUTION indicates special procedures that must be followed to avoid damage to the motorcycle.

WARNING:

A WARNING indicates special procedures that must be followed to avoid injury to a motorcycle operator or person inspecting or repairing the motorcycle.

MANUAL FORMAT








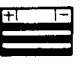














All of the procedures in this manual are organized in a sequential, step-by-step format. The information has been compiled to provide the mechanic with an easy to read, handy reference that contains comprehensive explanations of all disassembly, repair, assembly, and inspection operations.

In this revised format, the condition of a faulty component will precede an arrow symbol and the course of action required will follow the symbol, e.g.,

- Bearings
Pitting/Damage → Replace.

EXPLODED DIAGRAM

Each chapter provides exploded diagrams before each disassembly section for ease in identifying correct disassembly and assembly procedures.

① GEN INFO 	② SPEC 	
③ INSP ADJ 	④ ENG 	
⑤ COOL 	⑥ CARB 	
⑦ CHAS 	⑧ ELEC 	
⑨ TRBL SHTG ?	⑩ 	
⑪ 	⑫ 	
⑬ 	⑭ 	
⑮ 	⑯ 	
⑰ 	⑱ 	⑲ 
⑳ 	㉑ 	㉒ 
㉓ 		

ILLUSTRATED SYMBOLS (Refer to the illustration)

Illustrated symbols ① to ⑨ are designed as thumb tabs to indicate the chapter's number and content.

- ① General information
- ② Specifications
- ③ Periodic inspection and adjustment
- ④ Engine
- ⑤ Cooling system
- ⑥ Carburetion
- ⑦ Chassis
- ⑧ Electrical
- ⑨ Troubleshooting







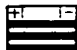
Illustrated symbols ⑩ to ⑯ are used to identify the specifications appearing in the text.

- ⑩ Filling fluid
- ⑪ Lubricant
- ⑫ Special tool
- ⑬ Tightening
- ⑭ Wear limit, clearance
- ⑮ Engine speed
- ⑯ Ω, V, A

Illustrated symbols ⑰ to ㉓ in the exploded diagram indicate grade of lubricant and location of lubrication point.

- ⑰ Apply engine oil
- ⑱ Apply gear oil
- ⑲ Apply molybdenum disulfide oil
- ⑳ Apply wheel bearing grease
- ㉑ Apply lightweight lithium-soap base grease
- ㉒ Apply molybdenum disulfide grease
- ㉓ Apply locking agent (LOCTITE®)

INDEX

GENERAL INFORMATION	
	GEN INFO 1
SPECIFICATIONS	
	SPEC 2
PERIODIC INSPECTION AND ADJUSTMENT	
	INSP ADJ 3
ENGINE OVERHAUL	
	ENG 4
CARBURETION	
	CARB 5
CHASSIS	
	CHAS 6
ELECTRICAL	
	ELEC 7
TROUBLESHOOTING	?
	TRBL SHTG 8

CONTENTS
CHAPTER 1.
GENERAL INFORMATION

MOTORCYCLE IDENTIFICATION1-1
 VEHICLE IDENTIFICATION NUMBER1-1
 ENGINE SERIAL NUMBER1-1

IMPORTANT INFORMATION1-2
 PREPARATION FOR REMOVAL AND DISASSEMBLY1-2
 ALL REPLACEMENT PARTS1-3
 GASKETS, OIL SEALS, AND O-RINGS1-3
 LOCK WASHERS/PLATE AND COTTER PINS1-3
 BEARINGS AND OIL SEALS1-3
 CIRCLIPS1-4

SPECIAL TOOLS1-4
 FOR TUNE UP1-4
 FOR ENGINE SERVICE1-5
 FOR CHASSIS SERVICE1-6
 FOR ELECTRICAL COMPONENTS1-7

CHAPTER 2.
SPECIFICATIONS

GENERAL SPECIFICATIONS2-1

MAINTENANCE SPECIFICATIONS2-4
 ENGINE2-4
 CHASSIS2-8
 ELECTRICAL2-11

GENERAL TORQUE SPECIFICATIONS2-14

DEFINITION OF UNITS2-14

 ENGINE2-15
 CHASSIS2-15

CABLE ROUTING2-16

CHAPTER 3. PERIODIC INSPECTION AND ADJUSTMENT

INTRODUCTION	3-1
PERIODIC MAINTENANCE/LUBRICATION INTERVALS	3-1
COWLINGS REMOVAL AND INSTALLATION	3-3
COWLINGS	3-3
SIDE COVER	3-4
ENGINE	3-4
IDLE SPEED ADJUSTMENT	3-4
THROTTLE CABLE FREE PLAY ADJUSTMENT	3-5
AUTOLUBE PUMP CABLE ADJUSTMENT	3-5
AUTOLUBE PUMP STROKE ADJUSTMENT	3-6
AUTOLUBE PUMP AIR BLEEDING	3-8
SPARK PLUG INSPECTION	3-9
IGNITION TIMING CHECK	3-10
ENGINE OIL LEVEL CHECK	3-10
TRANSMISSION OIL LEVEL INSPECTION	3-11
TRANSMISSION OIL REPLACEMENT	3-12
CLUTCH ADJUSTMENT	3-13
AIR FILTER CLEANING	3-14
CARBURETOR JOINT INSPECTOIN	3-16
FUEL LINE INSPECTION	3-17
Y.E.I.S. HOSE INSPECTION	3-17
EXHAUST SYSTEM INSPECTION	3-17
CHASSIS	3-17
FRONT BRAKE ADJUSTMENT	3-17
REAR BRAKE ADJUSTMENT	3-18
BRAKE FLUID INSPECTION	3-18
BRAKE PAD INSPECTION	3-19
BRAKE SHOE INSPECTION	3-19
BRAKE LIGHT SWITCH ADJUSTMENT	3-19
BRAKE HOSE INSPECTION	3-19
DRIVE CHAIN SLACK ADJUSTMENT	3-20
DRIVE CHAIN LUBRICATION	3-21
STEERING HEAD ADJUSTMENT	3-21
TIRE INSPECTION	3-23
WHEEL INSPECTION	3-24
CABLE INSPECTION AND LUBRICATION	3-24
LEVER AND PEDAL LUBRICATION	3-25
SIDESTAND LUBRICATION	3-25



**GEN
INFO** **1**



SPEC **2**



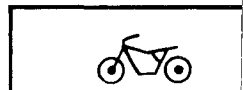
**INSP
ADJ** **3**



ENG **4**



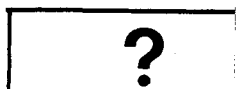
CARB **5**



CHAS **6**



ELEC **7**



**TRBL
SHTG** **8**

ELECTRICAL	3-26
BATTERY INSPECTION	3-26
FUSE INSPECTION	3-28
HEADLIGHT BEAM ADJUSTMENT	3-29
HEADLIGHT REPLACEMENT	3-29

CHAPTER 4. ENGINE OVERHAUL

ENGINE REMOVAL	4-1
TRANSMISSION OIL	4-1
COWLING AND SIDE COVER	4-1
FUEL TANK	4-1
MUFFLER	4-2
CARBURETOR	4-2
AUTOLUBE PUMP CABLE AND HOSE	4-2
LEADS	4-3
CLUTCH CABLE	4-3
DRIVE CHAIN	4-3
ENGINE REMOVAL	4-4
ENGINE DISASSEMBLY	4-5
CYLINDER HEAD, CYLINDER AND PISTON	4-5
CLUTCH AND PRIMARY DRIVE GEAR	4-6
KICK AXLE	4-8
SHIFT SHAFT	4-9
CDI MAGNETO	4-9
CRANKCASE	4-10
TRANSMISSION, SHIFTER AND CRANKSHAFT	4-11
INSPECTION AND REPAIR	4-13
CYLINDER HEAD	4-13
CYLINDER AND PISTON	4-13
PISTON RINGS	4-15
PISTON PIN AND BEARING	4-16
CLUTCH	4-17
KICK STARTER	4-18
SHIFT SHAFT	4-19
TRANSMISSION AND SHIFTER	4-20
CRANKSHAFT	4-21
CRANKCASE	4-22
AUTOLUBE PUMP	4-22
ENGINE ASSEMBLY AND ADJUSTMENT	4-24
CRANKSHAFT, SHIFTER AND TRANSMISSION	4-24
CRANKCASE	4-25
CDI MAGNETO	4-30
SHIFT SHAFT	4-32

KICK AXLE	4-32
CLUTCH AND PRIMARY DRIVE GEAR	4-34
CYLINDER HEAD, CYLINDER AND PISTON	4-37
REMounting ENGINE	4-40

CHAPTER 5. CARBURETION

CARBURETOR	5-1
REMOVAL	5-2
DISASSEMBLY	5-2
INSPECTION	5-4
ASSEMBLY	5-5
INSTALLATION	5-6
ADJUSTMENT	5-7
 REED VALVE	 5-8
REMOVAL	5-8
INSPECTION	5-8
INSTALLATION	5-9

CHAPTER 6. CHASSIS

FRONT WHEEL	6-1
REMOVAL	6-2
INSPECTION	6-2
INSTALLATION	6-4
 REAR WHEEL	 6-5
REMOVAL	6-6
INSPECTION	6-6
INSTALLATION	6-8
 FRONT BRAKE	 6-10
BRAKE PAD REPLACEMENT	6-11
CALIPER DISASSEMBLY	6-13
MASTER CYLINDER DISASSEMBLY	6-14
INSPECTION AND REPAIR	6-15
ASSEMBLY	6-16
AIR BLEEDING	6-19
 FRONT FORK	 6-20
REMOVAL	6-21
DISASSEMBLY	6-21
INSPECTION	6-23
ASSEMBLY	6-23
INSTALLATION	6-26



**GEN
INFO 1**



SPEC 2



**INSP
ADJ 3**



ENG 4



CARB 5



CHAS 6



ELEC 7



**TRBL
SHTG 8**

STEERING HEAD AND HANDLEBAR	6-27
REMOVAL	6-28
INSPECTION	6-29
INSTALLATION	6-30
REAR SHOCK ABSORBER AND SWINGARM	6-33
REMOVAL	6-34
DISASSEMBLY	6-35
INSPECTION	6-35
ASSEMBLY	6-36
INSTALLATION	6-36
DRIVE CHAIN AND SPROCKETS	6-38
REMOVAL	6-38
INSPECTION	6-38
INSTALLATION	6-39

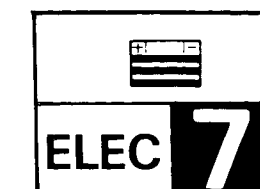
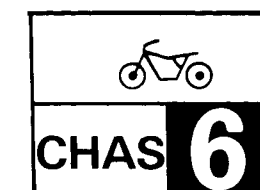
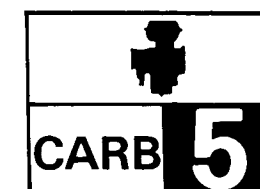
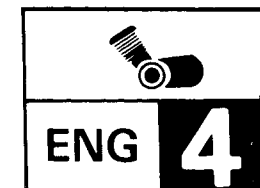
CHAPTER 7. ELECTRICAL

YSR50T CIRCUIT DIAGRAM	7-1
COLOR CODE	7-2
ELECTRICAL COMPONENTS	7-3
IGNITION AND STARTING SYSTEM	7-4
IGNITION CONTROL CIRCUIT OPERATION	7-6
TROUBLESHOOTING	7-7
CHARGING SYSTEM	7-16
TROUBLESHOOTING	7-18
LIGHTING SYSTEM	7-22
TROUBLESHOOTING (1)	7-24
TROUBLESHOOTING (2)	7-27
SIGNAL SYSTEM	7-30
TROUBLESHOOTING	7-32
DISPLAY SYSTEM	7-42
TROUBLESHOOTING (1)	7-44
TROUBLESHOOTING (2)	7-48
DISPLAY SYSTEM TEST AND CHECK	7-50

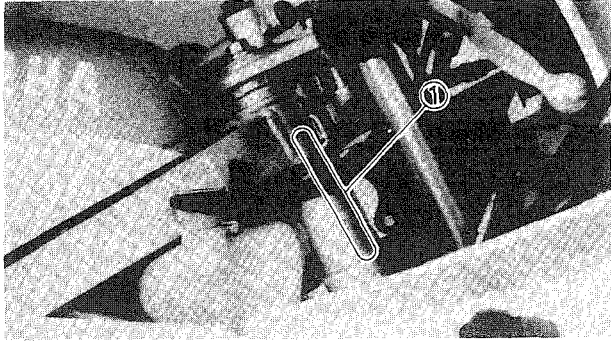
CHAPTER 8. TROUBLESHOOTING

STARTING FAILURE/HARD STARTING	8-1
FUEL SYSTEM	8-1
ELECTRICAL SYSTEM	8-2
COMPRESSION SYSTEM	8-3

POOR IDLE SPEED PERFORMANCE	8-3
POOR IDLE SPEED PERFORMANCE	8-3
POOR MEDIUM AND HIGH SPEED PERFORMANCE	8-4
FUEL SYSTEM	8-4
ELECTRICAL SYSTEM	8-4
COMPRESSION SYSTEM	8-5
FAULTY GEAR SHIFTING	8-6
HARD SHIFTING	8-6
CHANGE PEDAL DOES NOT MOVE	8-6
JUMP-OUT GEAR	8-6
CLUTCH SLIPPING/Dragging	8-7
CLUTCH SLIPPING	8-7
CLUTCH DRAGGING	8-7
IMPROPER KICKING	8-8
SLIPPING	8-8
HARD KICKING	8-8
KICK CRANK NOT RETURNING	8-8
FAULTY BRAKE	8-9
POOR BRAKING EFFECT	8-9
FRONT FORK OIL LEAKAGE AND FRONT FORK MALFUNCTION ...	8-9
OIL LEAKAGE	8-9
MALFUNCTION	8-9
INSTABLE HANDLING	8-10
INSTABLE HANDLING	8-10
FAULTY SIGNAL AND LIGHTING SYSTEM	8-11
HEADLIGHT DARK	8-11
BULB BURNT OUT	8-11
FLASHER DOES NOT LIGHT	8-11
FLASHER KEEPS ON	8-11
FLASHER WINKS SLOWER	8-12
FLASHER WINKS QUICKER	8-12
HORN IS INOPERATIVE	8-12
OVERHEATING	8-13
OVERHEATING	8-13
YSR50T WIRING DIAGRAM	



GENERAL
INFORMATION



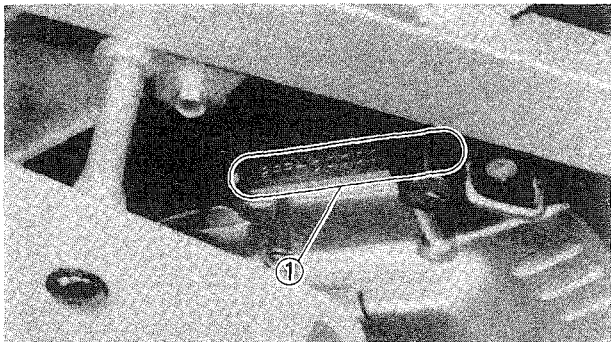
MOTORCYCLE IDENTIFICATION
VEHICLE IDENTIFICATION NUMBER

The vehicle identification number ① is stamped into the steering head pipe.

1

Starting Serial Number:
YSR50TJYA2RR00*HA000101

NOTE: _____
The vehicle identification number is used to identify your motorcycle and may be used to register your motorcycle with the licensing authority in your state.

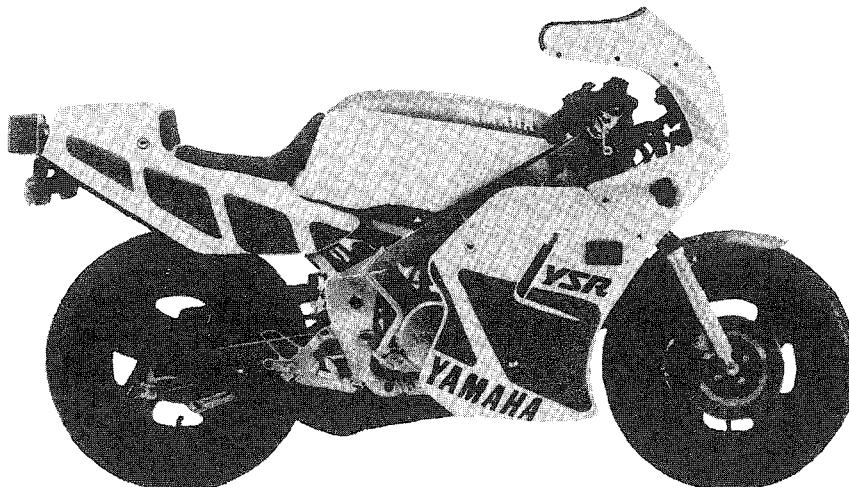


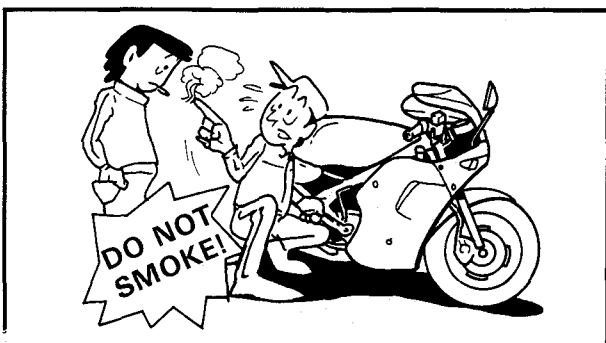
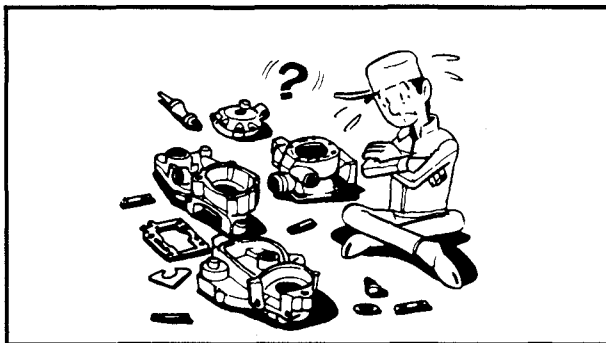
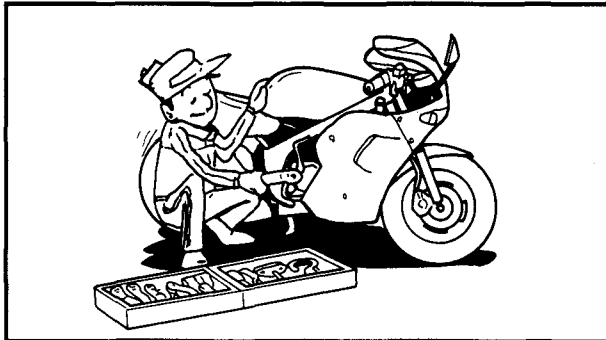
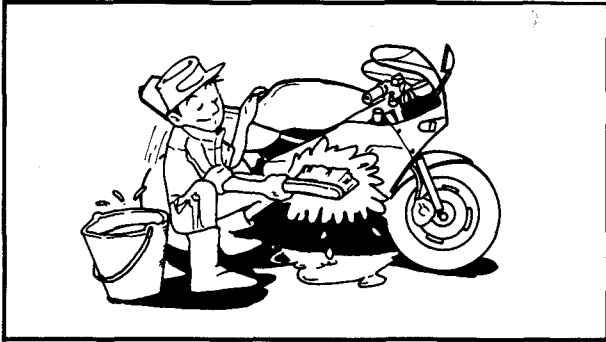
ENGINE SERIAL NUMBER

The engine serial number ① is stamped into the left side of the engine.

Starting Serial Number:
YSR50T.....2RR-000101

NOTE: _____
•The first three digits of these numbers are for model identifications; the remaining digits are the unit production number.
•Designs and specifications are subject to change without notice.





IMPORTANT INFORMATION

PREPARATION FOR REMOVAL AND DISASSEMBLY

1. Remove all dirt, mud, dust, and foreign material before removing and disassembling.

2. Use proper tools and cleaning equipment. Refer to "SPECIAL TOOL."

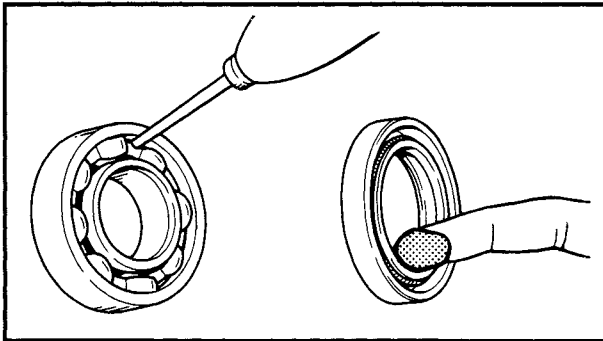
3. When disassembling the motorcycle, keep mated parts together. This includes gears, cylinders, pistons, and other mated parts that have been "mated" through normal wear. Mated parts must be reused as an assembly or replaced.

4. During the motorcycle disassembly, clean all parts and place them in trays in the order of disassembly. This will speed up assembly time and help assure that all parts are correctly reinstalled.

5. Keep away from fire.

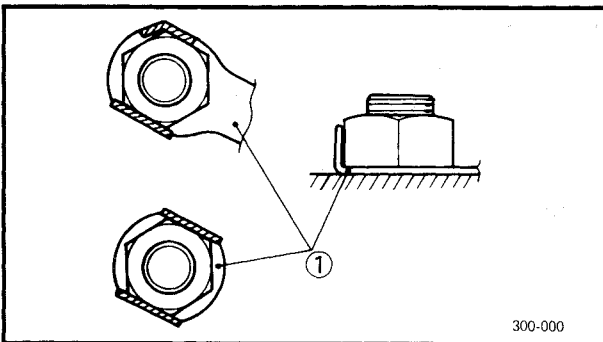
ALL REPLACEMENT PARTS

1. We recommend to use Yamaha genuine parts for all replacements. Use oil and/or grease recommended by Yamaha for assembly and adjustment.



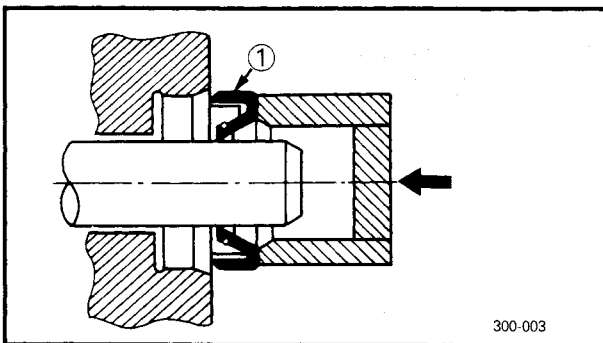
GASKETS, OIL SEALS, AND O-RINGS

1. All gaskets, seals and O-rings should be replaced when an engine is overhauled. All gasket surfaces, oil seal lips and O-rings must be cleaned.
2. Properly oil all mating parts and bearings during reassembly. Apply grease to the oil seal lips.



LOCK WASHERS/PLATES AND COTTER PINS

1. All lock washers/Plates ① and cotter pins must be replaced when they are removed. Lock tab(s) should be bent along the bolt or nut flat(s) after the bolt or nut has been properly tightened.



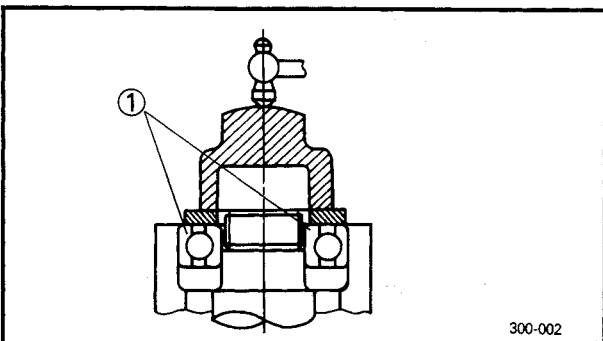
BEARINGS AND OIL SEALS

1. Install the bearing(s) and oil seal(s) with their manufacturer's marks or numbers facing outward. (In other words, the stamped letters must be on the side exposed to view.) When installing oil seal(s), apply a light coating of light-weight lithium base grease to the seal lip(s). Oil the bearings liberally when installing.

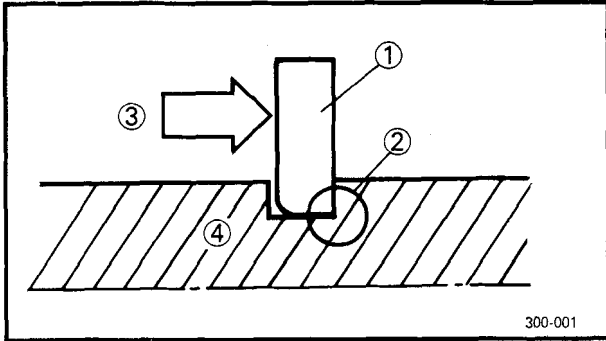
① Oil seal

CAUTION:

Do not use compressed air to spin the bearings dry. This causes damage to the bearing surfaces.



① Bearing



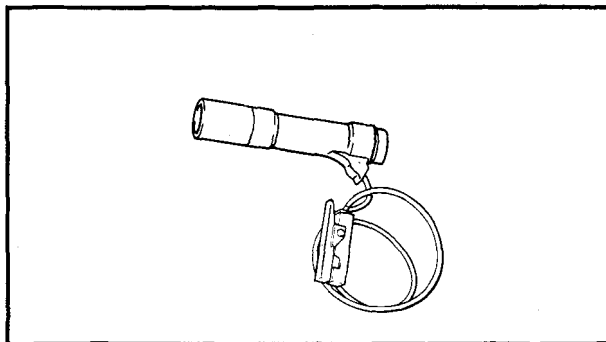
CIRCLIPS

1. All circlips should be inspected carefully before reassembly. Always replace piston pin clips after one use. Replace distorted circlips. When installing a circlip ①, make sure that the sharp edged corner ② is positioned opposite to the thrust ③ it receives. See the sectional view.

④ Shaft

SPECIAL TOOLS

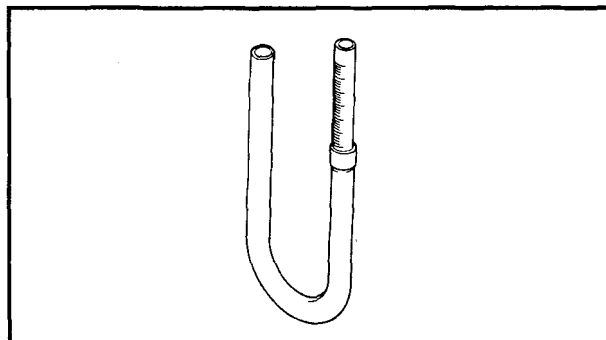
The proper special tools are necessary for complete and accurate tune-up and assembly. Using the correct special tool will help prevent damage caused by the use of improper tools or improvised techniques.



FOR TUNE UP

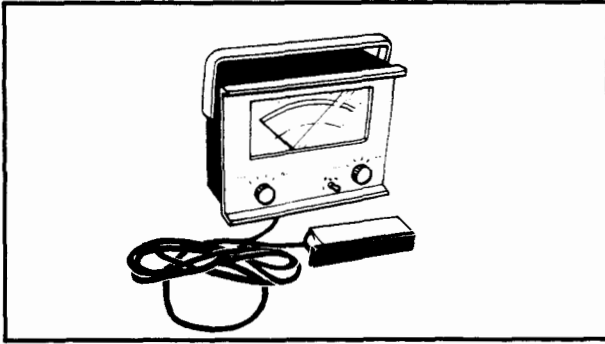
1. Inductive Timing Light
P/N. YM-33277

This tool is necessary for adjusting ignition timing.



2. Fuel Level Gauge
P/N. YM-01312

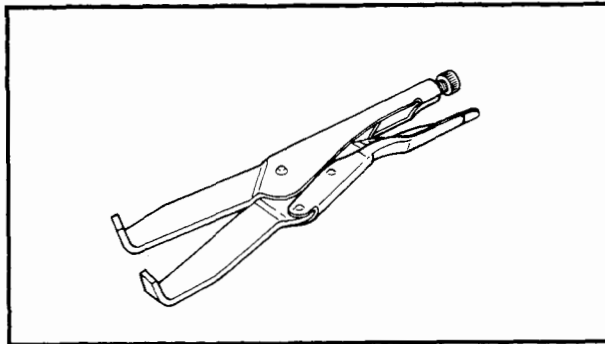
This gauge is used to measure the fuel level in the float chamber.



3. Inductive Tachometer
P/N. YU-08036

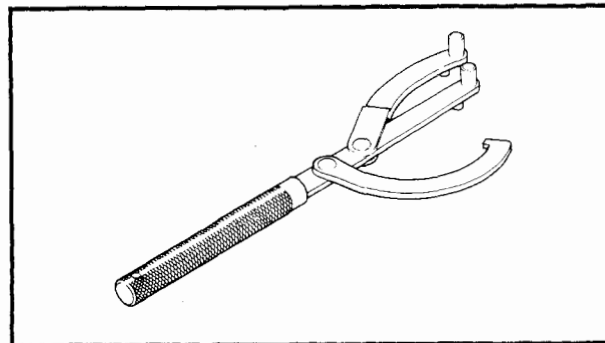
This tool is needed for detecting engine rpm.

FOR ENGINE SERVICE



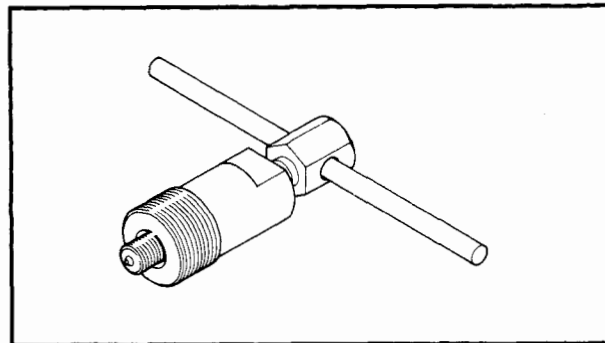
1. Universal Clutch Holder
P/N. YM-91042

This tool is used to hold the clutch when loosening or tightening the clutch boss locknut.



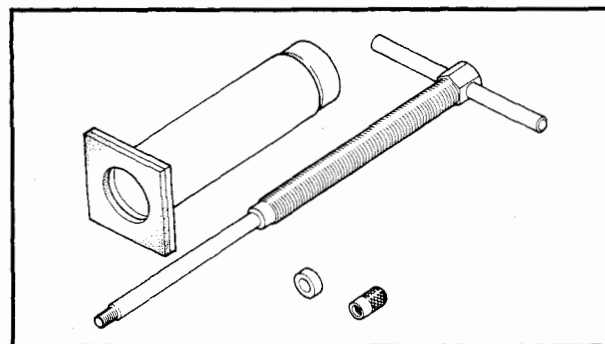
2. Universal Rotor Holder
P/N. YU-01235

This tool is used when loosening or tightening the flywheel magneto securing bolt.



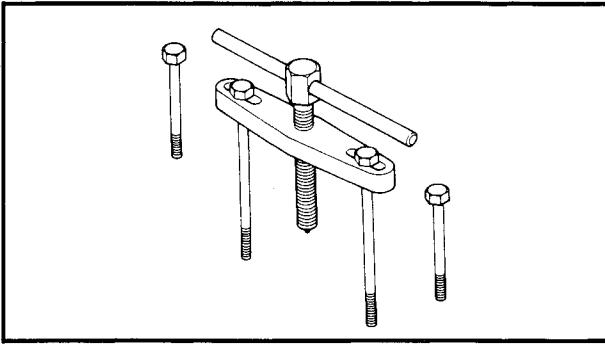
3. Flywheel Puller
P/N. YM-01189

This tool is used for removing the flywheel.



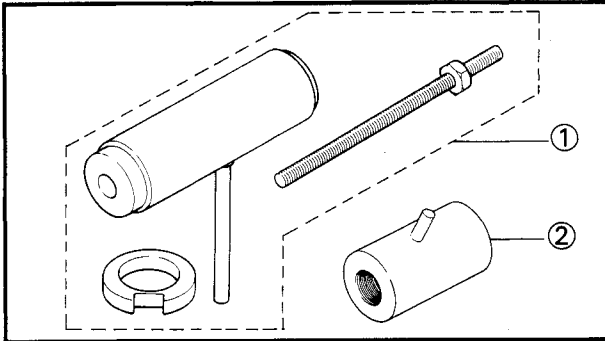
4. Piston Pin Puller
P/N. YU-01304

This tool is used to remove the piston pin.



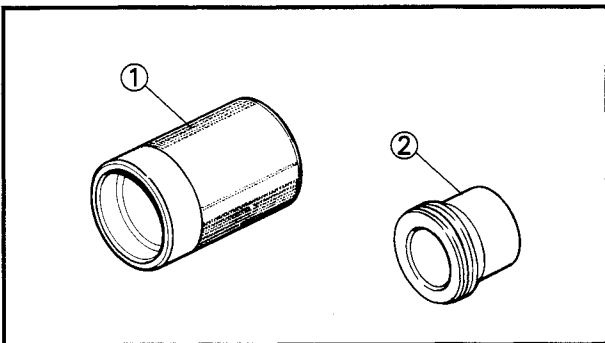
5. Crankcase Separating Tool
P/N. YU-01135

This tool is used to split the crankcases as well as remove the crankshaft from either case.



6. Crankshaft Installing Tool ①
P/N. YU-90050
Adapter ②
P/N. YM-90063

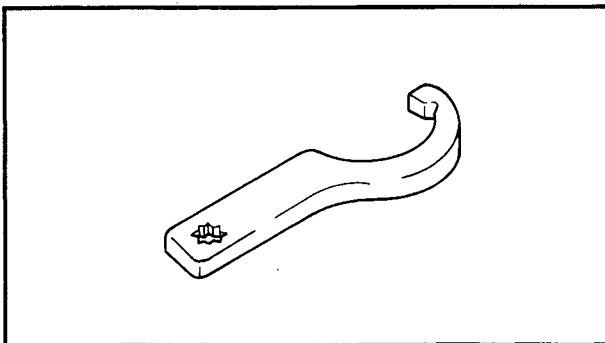
These tools are used to install the crankshaft.



FOR CHASSIS SERVICE

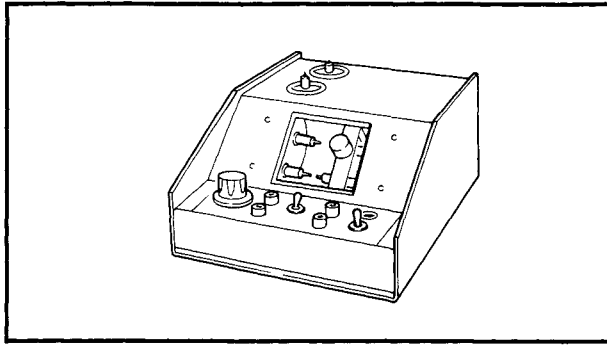
1. Front Fork Seal Driver (Weight) ①
P/N. YM-33963
Adapter ②
P/N. YM-33281

This tool is used when installing the fork seal.



2. Ring Nut Wrench
P/N. YU-33975

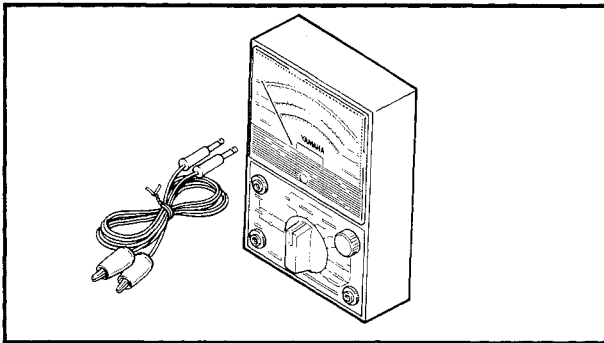
This tool is used to loosen and tighten the steering ring nut.



FOR ELECTRICAL COMPONENTS

- 1. Coil Tester
P/N. YU-33261

This tester is necessary for checking the ignition system components.



- 2. Pocket Tester
P/N. YU-03112

This tester is invaluable for checking the electrical system.

GENERAL SPECIFICATIONS

SPEC



SPECIFICATIONS

GENERAL SPECIFICATIONS

Model	YSR50T
Model Code Number:	2RR
Vehicle Identification Number:	JYA2RR00*HA000101
Engine Starting Number	2RR-000101
Dimensions:	
Overall Length	1,630 mm (64.2 in)
Overall Width	635 mm (25.0 in)
Overall Height	930 mm (36.6 in)
Seat Height	660 mm (26.0 in)
Wheelbase	1,055 mm (41.5 in)
Minimum Ground Clearance	120 mm (4.7 in)
Basic Weight:	
With Oil and Full Fuel Tank	91 kg (201 lb)
Minimum Turning Radius:	2,400 mm (94.5 in)
Engine:	
Engine Type	Air cooled 2-stroke
Induction System	Reed valve
Cylinder Arrangement	Forward inclined single cylinder
Displacement	49.3 cm ³
Bore × Stroke	40.0 × 39.2 mm (1.57 × 1.54 in)
Compression Ratio	7.4 : 1
Starting System	Kick starter
Lubrication System:	
Type	Separate lubrication (Yamaha Autolube)
Engine Oil Type	Yamalube "2" or air cooled 2 stroke engine oil with "BIA certified for service TC-W"
Transmission Oil Type	Yamalube "4", SAE 10W30 type SE motor oil or "GL" gear oil
Oil Capacity:	
Engine Oil (Oil Tank)	0.73 L (0.64 Imp qt, 0.77 US qt)
Transmission Oil:	
Periodic Oil Change	0.60 L (0.53 Imp qt, 0.63 US qt)
Total Amount	0.65 L (0.57 Imp qt, 0.69 US qt)
Air Filter	
Type	Wet type element

2

GENERAL SPECIFICATIONS

SPEC



Model	YSR50T	
Fuel: Type Fuel Tank Capacity / Full Amount Reserve Amount	Regular gasoline 8.0 L (1.76 Imp gal, 2.11 US gal) 1.5 L (0.33 Imp gal, 0.39 US gal)	
Carburetor: Type/Quantity Manufacturer	VM16SH/1 pc. MIKUNI	
Spark Plug: Type/Quantity Manufacturer Plug Gap	B7HS or B8HS NGK 0.5~0.6 mm (0.020~0.024 in)	
Clutch: Type	Wet, multiple disc	
Transmission: Type Primary Reduction System Primary Reduction Ratio Secondary Reduction System Secondary Reduction Ratio Operation Gear Ratio 1st 2nd 3rd 4th 5th	Constant mesh 5-speed Helical gear 68/19 (3.579) Chain drive 44/12 (3.667) Left foot operation 39/12 (3.250) 34/17 (2.000) 30/21 (1.429) 27/24 (1.125) 25/26 (0.962)	
Chassis: Frame Type Caster Angle Trail	Double cradle 25.3° 64 mm (2.52 in)	
Tire: Type Size Front Rear	Tubeless 3.50-12 2PR 4.00-12 2PR	
Tire Pressure (Cold Tire): Basic Weight: With Oil and Full Fuel Tank Maximum Load*	91 kg (201 lb) 68 kg (150 lb)	
Cold Tire Pressure: Zero ~ Maximum Load*	FRONT	REAR
	130 kPa (1.3 kg/cm ² , 18 psi)	150 kPa (1.5 kg/cm ² , 21 psi)

* Load is total weight of cargo, rider, and accessories.

GENERAL SPECIFICATIONS

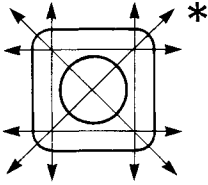
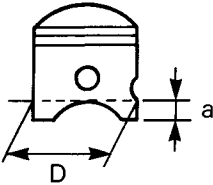
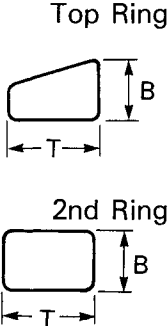
SPEC



Model	YSR50T
Brake: Front Brake Type Front Brake Operation Rear Brake Type Rear Brake Operation	Single disc brake Right hand operation Drum brake Right foot operation
Suspension: Front Suspension Type Rear Suspension Type	Telescopic fork Swingarm (Monocross suspension)
Shock Absorber: Front Shock Absorber Rear Shock Absorber	Coil spring/Oil damper Coil spring/Oil damper
Wheel Travel: Front Wheel Travel Rear Wheel Travel	90 mm (3.5 in) 75 mm (3.0 in)
Electrical: Ignition System Generator System	CDI Magneto Flywheel magneto
Battery: Type Capacity	6N4-2A-2 6V4AH
Headlight: Type	Sealed beam
Bulb Wattage (Quantity): Headlight Tail/Brake Light Flasher Light Licence Light Meter Light "NEUTRAL" Indicator Light "HIGH BEAM" Indicator Light "TURN" Indicator Light "OIL" Warning Indicator Light (Light Emitting Diode)	6V 25W/25W (1 pc.) 6V 25W/5.3W (2 pcs.) 6V 17W (4 pcs.) 6V 5.3W (1 pc.) 6V 3W (2 pcs.) 6V 3W (1 pc.) 6V 3W (1 pc.) 6V 3W (1 pc.) 3W or so (1 pc.)

MAINTENANCE SPECIFICATIONS

ENGINE

Model	YSR50T
Cylinder Head: Warpage Limit 	0.02 mm (0.001 in) *Lines indicate straightedge measurement.
Cylinder: Bore Size Taper Limit Out of Round Limit	40.00 ~ 40.02 mm (1.575 ~ 1.576 in) 0.05 mm (0.002 in) 0.01 mm (0.0004 in)
Piston: Piston Size "D" Measuring Point "a" 	39.96 ~ 39.98 mm (1.573 ~ 1.574 in) 5 mm (0.20 in)
Piston Off-Set Piston-to-Cylinder Clearance < Limit > Oversize 1st Oversize 2nd	0.2 mm (0.008 in) 0.030 ~ 0.035 mm (0.0012 ~ 0.0014 in) < 0.1 mm (0.004 in) > 40.25 mm (1.58 in) 40.50 mm (1.59 in)
Piston Ring: Sectional Sketch 	Top Ring Keystone type B = 1.2 mm (0.047 in) T = 1.6 mm (0.063 in) 2nd Ring Plain type B = 1.2 mm (0.047 in) T = 1.6 mm (0.063 in)
End Gap (Installed)	Top Ring 0.15 ~ 0.35 mm (0.006 ~ 0.014 in) 2nd Ring 0.15 ~ 0.35 mm (0.006 ~ 0.014 in)
Side Clearance	Top Ring 0.03 ~ 0.05 mm (0.001 ~ 0.002 in) 2nd Ring 0.03 ~ 0.05 mm (0.001 ~ 0.002 in)

MAINTENANCE SPECIFICATIONS

SPEC



Model	YSR50T
<p>Crankshaft: Crank Width "A" Runout Limit "B" Big End Side Clearance "C" < Limit > Small End Free Play "D" < Limit ></p> <div style="text-align: center;"> </div>	<p>37.90~37.95 mm (1.492~1.494 in) 0.03 mm (0.0012 in) 0.2~0.7 mm (0.008~0.028 in) < 1.0 mm (0.04 in) > 0.8~1.0 mm (0.032~0.039 in) < 1.5 mm (0.06 in) ></p>
<p>Clutch: Friction Plate: Thickness Quantity Wear Limit Clutch Plate: Thickness Quantity Warpage Limit Clutch Spring: Free Length Quantity Minimum Free Length Clutch Release Method < Push Rod Bending Limit ></p>	<p>3.5 mm (0.138 in) 2 pcs. 2.7 mm (0.106 in) 2.0 mm (0.079 in) 1 pc. 0.05 mm (0.002 in) 28.2 mm (1.11 in) 4 pcs. 26.2 mm (1.03 in) Inner push, cam push < 0.2 mm (0.008 in) ></p>
<p>Transmission: Main Axle Runout Limit Drive Axle Runout Limit</p>	<p>0.08 mm (0.003 in) 0.08 mm (0.003 in)</p>
<p>Shifter: Type Guide Bar Bending Limit</p>	<p>Cam drum and guide bar 0.025 mm (0.001 in)</p>
<p>Kick Starter: Type</p>	<p>Kick and Mesh type</p>

MAINTENANCE SPECIFICATIONS



Model	YSR50T
Air Filter: Oil Grade	Foam-Air-Filter oil or Yamalube "2"
Carburetor:	
I.D. Mark	2AL 01
Main Jet (M.J.)	#120
Air Jet (A.J.)	φ2.5
Jet Needle-Position (J.N.)	3G21-4
Needle Jet (N.J.)	E-0
Cutaway (C.A.)	2.0
Pilot Outlet (P.O.)	φ0.9
Pilot Jet (P.J.)	#17.5
Air Screw (A.S.)	1-1/8
Valve Seat Size (V.S.)	φ1.5
Starter Jet (G.S.)	#20
Fuel Level (F.L.)	0 ~ 1 mm (0 ~ 0.04 in)
Float Height (F.H.)	21 ~ 23 mm (0.83 ~ 0.91 in)
Idling Speed	1,300 ~ 1,400 r/min
Reed Valve:	
Valve Thickness	0.15 mm (0.006 in)
Valve Stopper Height	6.7 ~ 7.3 mm (0.26 ~ 0.29 in)
Valve Bending Limit	0.3 mm (0.012 in)
Lubrication System:	
Autolube Pump	
Color Code	Green
Minimum Stroke	0.20 ~ 0.25 mm (0.008 ~ 0.010 in)
Maximum Stroke	1.85 ~ 2.05 mm (0.073 ~ 0.081 in)
Minimum Output	0.50 ~ 0.63 cm ³ per 200 strokes
Maximum Output	4.64 ~ 5.15 cm ³ per 200 strokes
Pulley Adjusting Mark	At idle


TIGHTENING TORQUE

Part to be tightened	Bolt/ Nut size	Tightening torque		
		Nm	m•kg	ft•lb
Spark plug	M14 × 1.25	25	2.5	18
Cylinder head	M6 × 1.0	10	1.0	7.2
Autolube pump	M5 × 0.8	5	0.5	3.6
Intake manifold	M6 × 1.0	8	0.8	5.8
Muffler (Front)	M6 × 1.0	8	0.8	5.8
Muffler (Rear)	M8 × 1.25	18	1.8	13
Crankcase	M6 × 1.0	8	0.8	5.8
Crankcase cover	M6 × 1.0	10	1.0	7.2
Transmission oil drain bolt	M12 × 1.5	20	2.0	14
Autolube pump cover	M6 × 1.0	8	0.8	5.8
Kick crank assembly	M6 × 1.0	12	1.2	8.7
Primary drive gear	M12 × 1.0	60	6.0	43
Clutch boss	M12 × 1.0	45	4.5	32
Pressure plate	M5 × 0.8	6	0.6	4.3
Stopper plate (Bearing)	M6 × 1.0	10	1.0	7.2
Stopper plate (Shift cam)	M6 × 1.0	8	0.8	5.8
Shift lever adjuster nut	M8 × 1.25	25	2.5	18
Change pedal	M6 × 1.0	11	1.1	8.0
Stator	M5 × 0.8	8	0.8	5.8
CDI magneto	M12 × 1.25	70	7.0	50
Neutral switch	M10 × 1.25	4	0.4	2.9

MAINTENANCE SPECIFICATIONS



CHASSIS

Model	YSR50T	
Steering System: Bearing Type Bearing Size (Quantity) Upper Lower	Ball Bearing 3/16 in (22 pcs.) 1/4 in (19 pcs.)	
Front Suspension: Front Fork Travel Fork Spring Free Length (Left side only) < Limit > Spring Rate (K ₁) Stroke (K ₁) Optional Spring	90 mm (3.54 in) 374.2 mm (14.7 in) < 367 mm (14.4 in) > 8.2 N/mm (0.83 kg/mm, 46.6 lb/in) 0.0 ~ 90.0 mm (0.0 ~ 3.5 in) No.	
	LEFT	RIGHT
Oil Capacity Oil Level Oil Grade	126 cm ³ (4.44 Imp oz, 4.26 US oz) 146 mm (5.74 in) From top of inner tube fully compressed without spring. Yamaha fork oil 10WT or equivalent	164 cm ³ (5.77 Imp oz, 5.54 US oz) 51 mm (2.01 in) From top of inner tube compressed without spring. ←
Rear Suspension: Shock Absorber Travel Spring Free Length Fitting Length Spring Rate (K ₁) Stroke (K ₁) Optional Spring	18.0 mm (0.71 in) 86 mm (3.4 in) 82 mm (3.2 in) 353 N/mm (36 kg/mm, 2,020 lb/in) 0.0 ~ 18 mm (0.0 ~ 0.71 in) No.	
Swingarm: Free Play Limit (Swingarm end)	1.0 mm (0.039 in) Move swingarm end side to side	
Front Wheel: Type Rim Size Rim Material Rim Runout Limit Vertical Lateral	Panel wheel MT2.50 × 12 Steel 2.0 mm (0.08 in) 2.0 mm (0.08 in)	

MAINTENANCE SPECIFICATIONS

SPEC



Model	YSR50T
Rear Wheel: Type Rim Size Rim Material Rim Runout Limit Vertical Lateral	Panel wheel MT2.50 × 12 Steel 2.0 mm (0.08 in) 2.0 mm (0.08 in)
Drive Chain: Type/Manufacturer Number of Links Chain Free Play	420M/DAIDO 99 Links + joint 25 ~ 30 mm (1.0 ~ 1.2 in)
Front Disc Brake: Type Disc Outside Diameter Disc Thickness Pad Thickness <Wear Limit> Master Cylinder Inside Diameter Caliper Cylinder Inside Diameter Brake Fluid Type	Single 203 mm (8.00 in) 4.0 mm (0.16 in) 6.0 mm (0.24 in) <0.5 mm (0.02 in)> 11.0 mm (0.433 in) 34.9 mm (1.37 in) DOT No. 3
Rear Drum Brake: Type Brake Drum Inside Diameter <Limit> Shoe Spring Free Length Lining Thickness <Limit>	Leading, Trailing 110 mm (4.33 in) <111 mm (4.37 in)> 50.5 mm (1.99 in) 4 mm (0.16 in) <2 mm (0.08 in)>
Brake Lever and Brake Pedal: Brake Lever Free Play Brake Pedal Free Play	2 ~ 5 mm (0.08 ~ 0.20 in) 20 ~ 30 mm (0.8 ~ 1.2 in) Below top of footrest
Clutch Lever and Throttle Grip: Clutch Lever Free Play Throttle Cable Free Play	2 ~ 3 mm (0.08 ~ 0.12 in) 3 ~ 7 mm (0.12 ~ 0.28 in) At grip flange



TIGHTENING TORQUE

Part to be tightened	Bolt/Nut size	Q'ty	Tightening torque		
			Nm	m•kg	ft•lb
Chassis:					
Engine mounting;					
Engine stay	M 8×1.25	2	25	2.5	18
Frame and engine	M 8×1.25	3	25	2.5	18
Pivot shaft and nut	M10×1.25	1	40	4.0	
Rear shock absorber and frame	M10×1.25	1	40	4.0	29
Front fork cap bolt (Handlebar)	M21×1.0	2	55	5.5	40
Under bracket and inner tube	M10×1.25	2	30	3.0	22
Steering ring nut	M25×1.25	1	6	0.6	4.3
			Refer to NOTE		
Steering stem bolt	M10×1.25	1	40	4.0	29
Wheel hub and wheel rim	M 8×1.25	4	31	3.1	22
Front brake disc and wheel hub	M 8×1.25	4	20	2.0	14
Brake caliper and outer tube	M10×1.25	2	35	3.5	25
Front wheel axle and nut	M10×1.25	1	40	4.0	29
Brake cam lever and camshaft	M 6×1.0	1	10	1.0	7.2
Rear wheel sprocket and wheel hub	M 8×1.25	4	36	3.6	25
Tension bar and plate/frame	M 8×1.25	2	19	1.9	13
Rear wheel axle and nut	M12×1.25	1	60	6.0	43
Rear view mirror and stay	M 8×1.25	2	19	1.9	13
Brake hose union bolt	M10×1.25	2	26	2.6	19
Footrest and frame	M 8×1.25	4	25	2.5	18
Cowling stay and frame	M 8×1.25	2	19	1.9	13
Windscreen and cowling	M 5×0.8	8	0.6	0.06	0.43
CDI unit and frame	—	2	2	0.2	1.4
Rectifier/Regulator	—	1	1	0.1	0.7
Down tube and frame	M 8×1.25	6	25	2.5	18
Engine bracket (Front) and frame	M10×1.25	2	40	4.0	29
Engine bracket (Rear) and frame	M10×1.25	1	25	2.5	18

NOTE:

1. First, tighten the ring nut approximately 30 Nm (3.0 m•kg, 22 ft•lb) by using the torque wrench, then loosen the ring nut one turn.
2. Retighten the ring nut to specification.

MAINTENANCE SPECIFICATIONS

SPEC



ELECTRICAL

Model	YSR50T
Voltage:	6V
Ignition System: Ignition Timing (B.T.D.C.) Advancer Type	22° at 5,000 r/min Electrical type
<p style="text-align: center;">Ignition Timing (B.T.D.C.)</p> <p style="text-align: center;">Engine Speed (× 1,000 r/min)</p>	
C.D.I.: Magneto Model/Manufacturer C.D.I. Unit Model/Manufacturer Pickup Coil Resistance (Color) Source Coil Resistance (Color)	2RR/YAMAHA 2GX/YAMAHA 16 ~ 24Ω at 20°C (68°F) (White/Red – Black) 264 ~ 396Ω at 20°C (68°F) (Black/Red – Black)
Ignition Coil: Model/Manufacturer Minimum Spark Gap Primary Coil Resistance Secondary Coil Resistance	2JN/YAMAHA 6 mm (0.24 in) 0.7 ~ 1.1Ω at 20°C (68°F) 5.7 ~ 8.5kΩ at 20°C (68°F)
Spark Plug Cap: Type Plug Cap Resistance	Resin Type 4 ~ 6kΩ at 20°C (68°F)

MAINTENANCE SPECIFICATIONS



Model	YSR50T
Charging System:	Flywheel Magneto
C.D.I. Magneto: Model/Manufacturer Charging Coil Resistance (Color) Standard Output	2RR/YAMAHA 0.24 ~ 0.36Ω at 20°C (68°F) (White—Black) 7.4 ~ 8.2V at 5,000 r/min
Lighting Coil Resistance (Color) Standard Output	0.16 ~ 0.24Ω at 20°C (68°F) (Yellow/Red—Black) 6.2 ~ 7.2V at 3,000 r/min or more
Voltage Regulator: Model/Manufacturer	SH582-6/SHINDENGEN
Rectifier: Model/Manufacturer Capacity Withstand Voltage	SH582-6/SHINDENGEN 8A 120V
Battery: Specific Gravity	1.280
Horn: Type Quantity Model/Manufacturer Maximum Amperage	Plane Type 1 pc. GF-12/NIKKO 1.5A

MAINTENANCE SPECIFICATIONS

SPEC



Model	YSR50T
Flasher Relay: Type Model/Manufacturer Self Cancelling Device Flasher Frequency Wattage	Condenser Type FZ636SD/NIPPON DENSO No 75~95 cycles/min 17W×2+3W (6V)
Oil Level Switch: Model/Manufacturer	3J0/STANLEY
Curcuit Breaker: Type	Fuse
Curcuit (Fuse): "MAIN"	10A (1 pc.)

GENERAL TORQUE SPECIFICATIONS/ DEFINITION OF UNITS

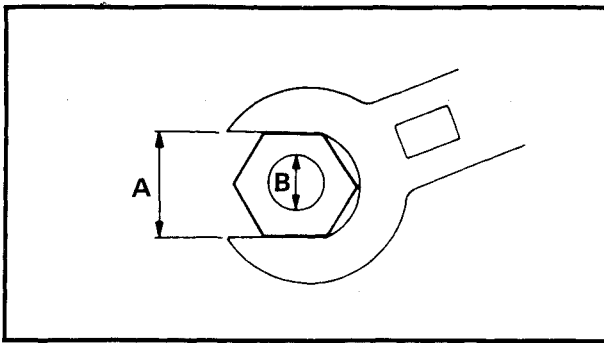
SPEC



GENERAL TORQUE SPECIFICATIONS

This chart specifies torque for standard fasteners with standard I.S.O. pitch threads. Torque specifications for special components or assemblies are included in the applicable sections of this book. To avoid warpage, tighten multi-fastener assemblies in a crisscross fashion, in progressive stages, until full torque is reached. Unless otherwise specified, torque specifications call for clean, dry threads. Components should be at room temperature.

A (Nut)	B (Bolt)	General torque specifications		
		Nm	m•kg	ft•lb
10 mm	6 mm	6	0.6	4.3
12 mm	8 mm	15	1.5	11
14 mm	10 mm	30	3.0	22
17 mm	12 mm	55	5.5	40
19 mm	14 mm	85	8.5	61
22 mm	16 mm	130	13.0	94



A: Distance across flats
B: Outside thread diameter

DEFINITION OF UNITS

Unit	Read	Definition	Measure
mm	millimeter	10^{-3} meter	Length
cm	centimeter	10^{-2} meter	Length
kg	kilogram	10^3 gram	Weight
N	Newton	$1 \text{ kg} \times \text{m}/\text{sec}^2$	Force
Nm	Newton meter	$\text{N} \times \text{m}$	Torque
m•kg	Meter kilogram	$\text{m} \times \text{kg}$	Torque
Pa	Pascal	N/m^2	Pressure
N/mm	Newton per millimeter	N/mm	Spring rate
L	Liter	—	Volume or capacity
cm^3	Cubic centimeter	—	
r/min	Rotation per minute	—	Engine speed

LUBRICATION POINTS AND LUBRICANT TYPE

SPEC



LUBRICATION POINTS AND LUBRICANT TYPE

ENGINE

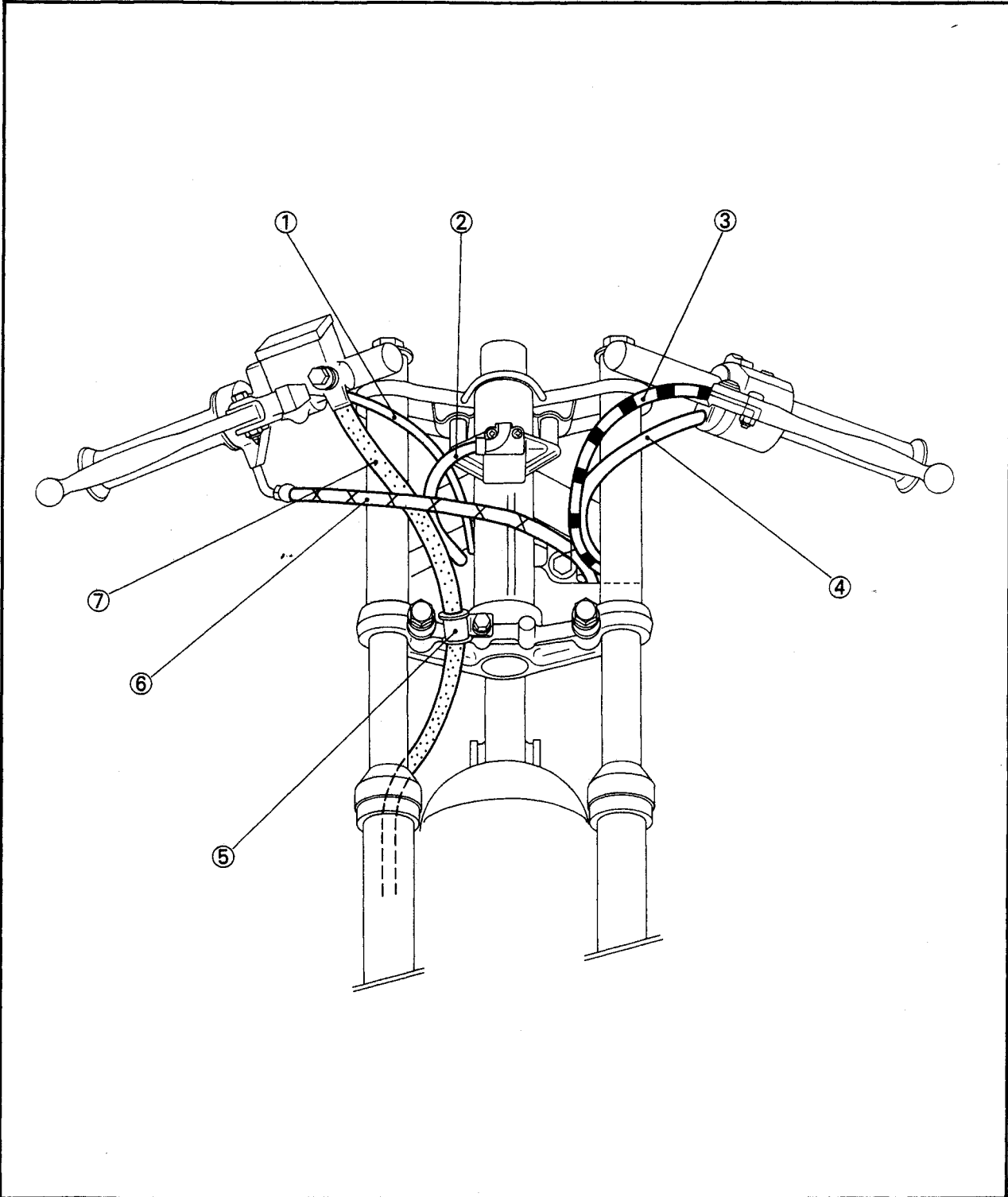
Lubrication Points (Part name)	Lubricant Type
Oil seal lip	
O-ring	
Small end/Big end bearing	
Bearing	
Piston ring	
Piston	
Cylinder inner surface	
Piston pin	
Kick axle	
Primary driven/drive gear	
Push rod	
Push lever	
Pinion/Wheel gears	
Collar (Drive axle)	
Guide bar (Shift fork)	
Shift shaft	
Shift cam	

CHASSIS

Lubrication Points (Part name)	Lubricant Type
Steering Upper/Lower balls	
Front/Rear wheel oil seal lip	
Brake cam shaft	
Speedometer gear unit/oil seal	
Brake pedal pivot	
Rear shock absorber collar	
Handlebar (Right) end	
Sidestand pivot	
Footrest pivot	
Clutch lever pivot/cable end	
Brake lever pivot	
Pin (Rear shock absorber)	
Pivot shaft	

CABLE ROUTING

- ① Handlebar switch (Right) lead
- ② Main switch lead
- ③ Clutch cable
- ④ Handlebar switch (Left) lead
- ⑤ Clamp
- ⑥ Throttle cable
- ⑦ Front brake hose

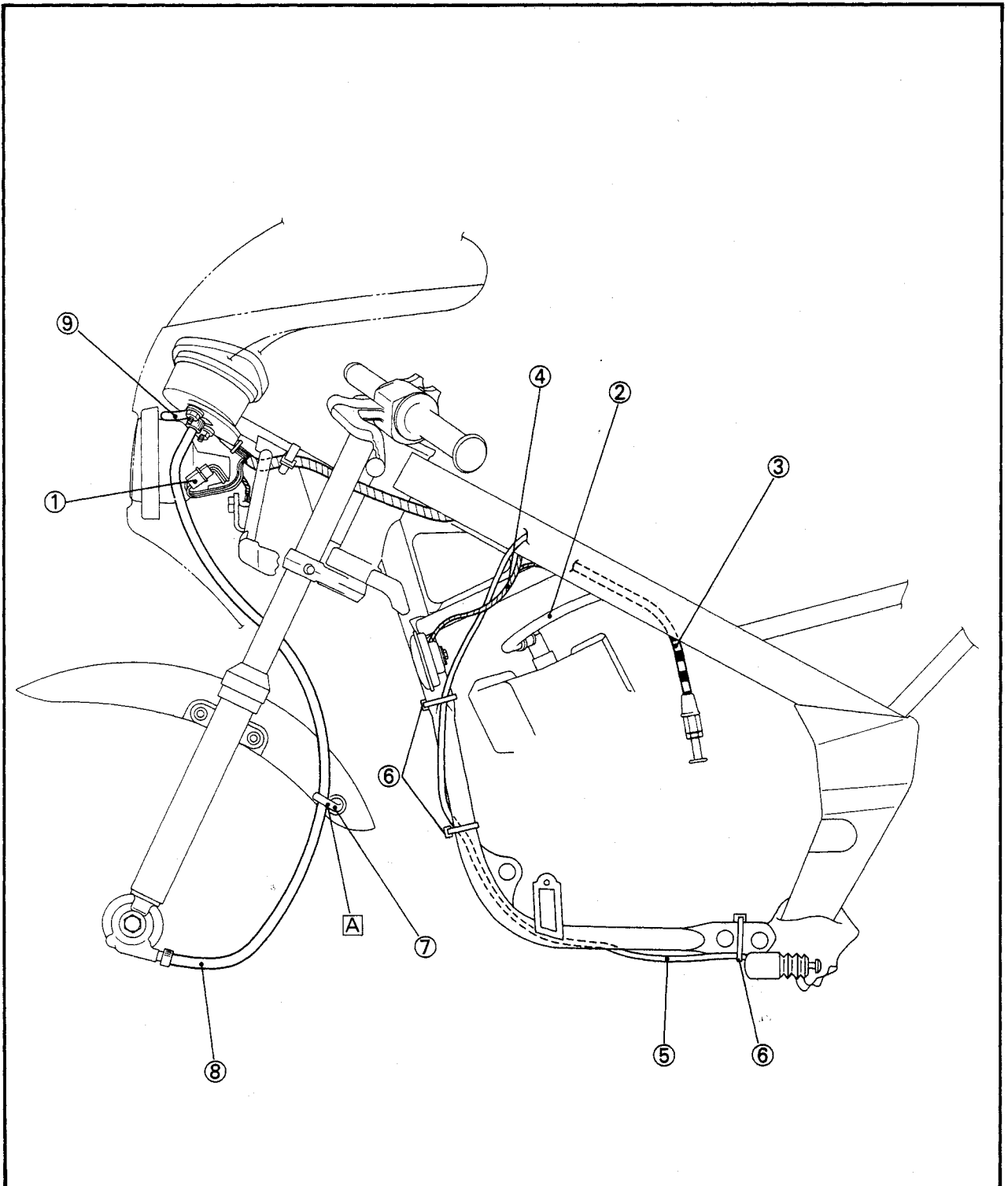




CABLE ROUTING

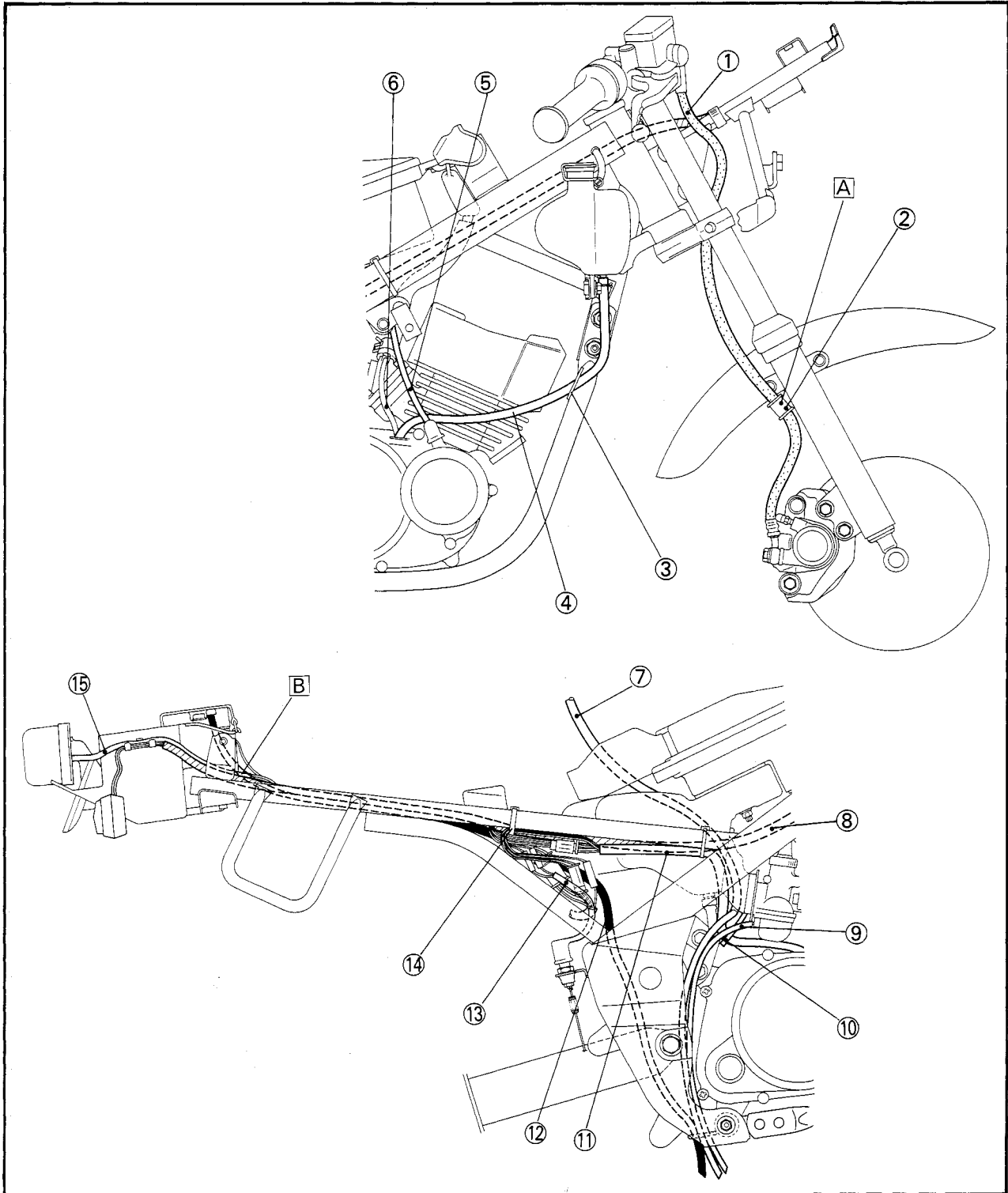
- ① Headlight lead
- ② Spark plug lead
- ③ Clutch cable
- ④ Horn lead
- ⑤ Sidestand switch lead
- ⑥ Band
- ⑦ Cable holder
- ⑧ Speedometer cable
- ⑨ Meter light lead

A Pass the speedometer cable through the cable holder.



CABLE ROUTING

- | | | |
|---------------------------|----------------------------|--|
| ① Front brake hose | ⑨ Carburetor breather hose | A Clamp the brake hose. |
| ② Clamp | ⑩ Carburetor air vent hose | B Pass the battery breather hose through the hole on the rear fender. |
| ③ Cable guide | ⑪ CDI magneto lead | |
| ④ Oil hose | ⑫ Battery breather hose | |
| ⑤ Oil pump cable | ⑬ Rear brake switch lead | |
| ⑥ Oil delivery hose | ⑭ Band | |
| ⑦ Fuel tank breather hose | ⑮ Tail/brake light lead | |
| ⑧ Wireharness | | |

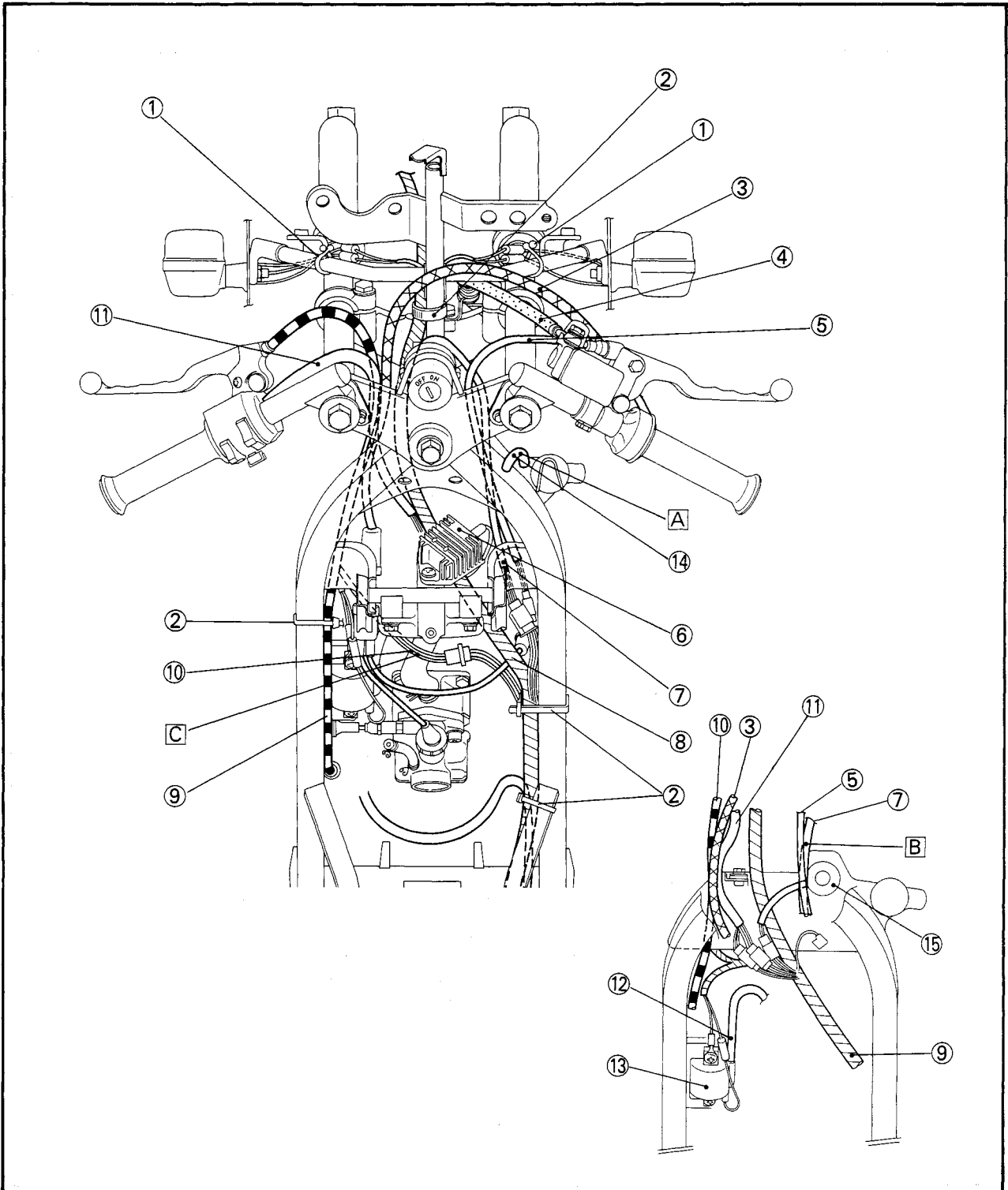




CABLE ROUTING

- ① Clamp
- ② Band
- ③ Throttle cable
- ④ Front brake hose
- ⑤ Brake switch lead
- ⑥ Rectifier/Regulator
- ⑦ Main switch lead
- ⑧ Wireharness
- ⑨ Clutch cable
- ⑩ Sidestand switch lead
- ⑪ Handlebar switch (Left) lead
- ⑫ Spark plug lead
- ⑬ Ignition coil
- ⑭ Oil tank breather hose
- ⑮ Oil level switch

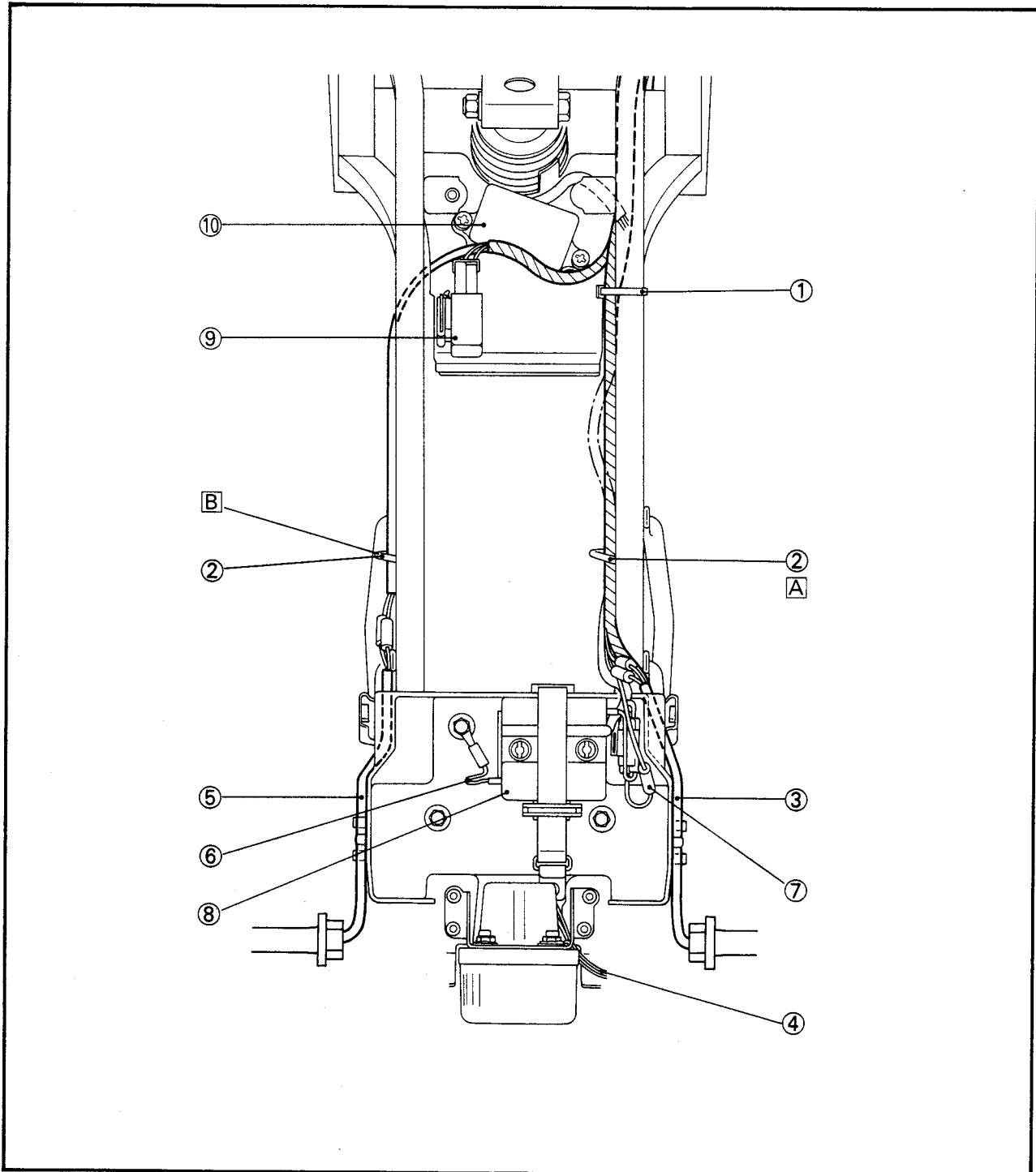
- A** Pass the oil tank breather hose through the hole on the frame.
- B** Pass the main switch and brake switch lead inside of the oil tank cap
- C** Pass the sidestand lead above the Y.E.I.S. hose.



CABLE ROUTING

- ① Band
- ② Cable guide
- ③ Rear flasher light (Right) lead
- ④ Taillight lead
- ⑤ Rear flasher light (Left) lead
- ⑥ Battery negative (-) lead
- ⑦ Battery positive (+) lead
- ⑧ Battery
- ⑨ Flasher relay
- ⑩ CDI unit

- A Pass the wireharness, flasher light lead and battery breather hose through the guide.
- B Pass the flasher light lead through the guide.



PERIODIC INSPECTION AND ADJUSTMENT

INTRODUCTION

This chapter includes all information necessary to perform recommended inspections and adjustments. These preventive maintenance procedures, if followed, will ensure more reliable vehicle operation and a longer service life. The need for costly overhaul work will be greatly reduced. This information applies to vehicles already in service as well as new vehicles that are being prepared for sale. All service technicians should be familiar with this entire chapter.

PERIODIC MAINTENANCE/LUBRICATION INTERVALS

Unit: km (mi)

ITEM	REMARKS	BREAK-IN 1,000 (600)	EVERY	
			3,000 (2,000) or 6 months	6,000 (4,000) or 12 months
Spark plug(s)	Check condition. Clean or replace if necessary.	○	○	○
Air filter*	Clean. Replace if necessary.		○	○
Carburetor*	Check idle speed/starter operation. Adjust if necessary.	○		○
Fuel line*	Check fuel hose for cracks or damage. Replace if necessary.		○	○
Transmission oil*	Check oil level/oil leakage. Correct if necessary. Replace every 12,000 (8,000) or 24 months (Warm engine before draining.)	REPLACE	○	○
Autolube pump*	Check operation. Correct if necessary. Air bleeding.	○		○
Brake*	Check operation/fluid leakage/See NOTE. Correct if necessary (front). Check operation. Adjust if necessary (rear).		○	○
Clutch*	Check operation. Adjust if necessary.		○	○
Wheels*	Check balance/damage/runout. Repair if necessary.		○	○
Wheel bearings*	Check bearings assembly for looseness/damage. Replace if damaged.		○	○
Steering bearing*	Check bearings assembly for looseness. Correct if necessary. Moderately repack every 24,000 (16,000) or 24 months.**	○		○
Front forks*	Check operation/oil leakage. Repair if necessary.		○	○
Rear shock absorber*	Check operation/oil leakage. Repair if necessary.		○	○
Drive chain	Check chain slack/alignment. Adjust if necessary. Clean and lube.		EVERY 500 (300)	
Fittings/Fasteners*	Check all chassis fittings and fasteners. Correct if necessary.	○	○	○
Sidestand*	Check operation. Repair if necessary.	○	○	○
Sidestand switch*	Check operation. Clean or replace if necessary.	○	○	○
Battery*	Check specific gravity. Check breather pipe for proper operation. Correct if necessary.		○	○

*: It is recommended that these items be serviced by a Yamaha dealer or other qualified mechanic.

** : Medium weight wheel bearing grease. (bearing type) 3-1

INTRODUCTION/PERIODIC MAINTENANCE/ LUBRICATION INTERVALS



NOTE:**Brake system:**

1. When disassembling the master cylinder or caliper cylinder, replace the brake fluid. Normally check the brake fluid level and add the fluid as required.
 2. We recommend that, on the inner parts of the master cylinder and caliper cylinder, replace the oil seals every two years.
 3. We recommend that, replace the brake hoses every four years, or if cracked or damaged.
-

COWLINGS

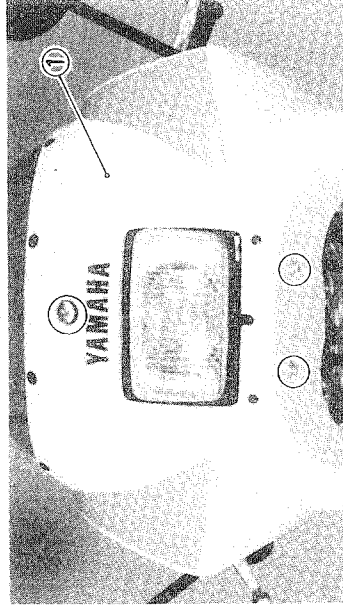
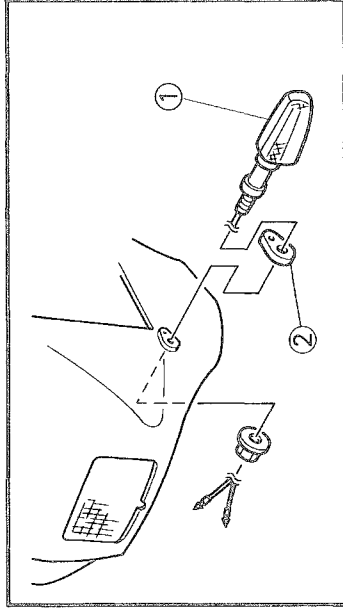
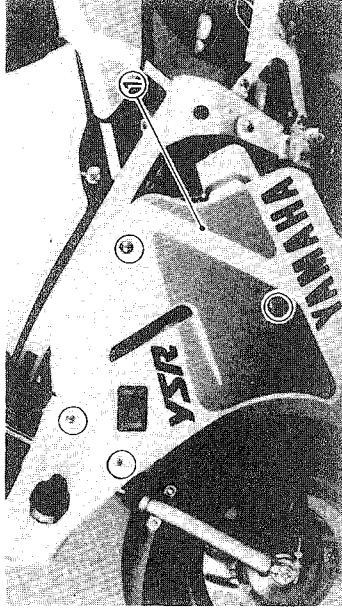
INSP
ADJ



COWLINGS REMOVAL AND INSTALLATION

COWLINGS Removal

1. Remove:
 - Lower cowling ①
2. Remove:
 - Flasher lights (Left and right) ①
 - Flasher light stays ②
3. Remove:
 - Upper cowling ①



Installation

Reverse the removal steps.

Note the following points.

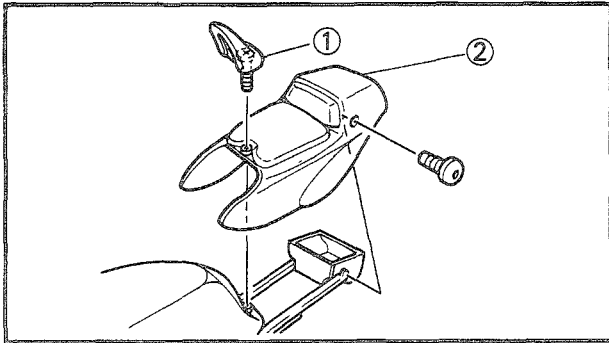
1. Install:
 - Flasher light (Right)
 - Flasher light (Left)
- NOTE:**
- On the left side, install the flasher light having a chocolate color lead. Next, install the other flasher light with a dark green color lead on the right side.
 - Install the flasher light with the notch in its end fitting the convex part of the flasher light stay.
 - Connect the flasher light lead and the negative lead to the wire harness. The leads of identical colors should be connected.



Nut (Flasher Light):

10 Nm (1.0 m·kg, 7.2 ft·lb)

SIDE COVER/IDLE SPEED ADJUSTMENT



SIDE COVER

Removal

1. Remove:
 - Front seat ①
 - Side cover ②

Installation

Reverse removal step.

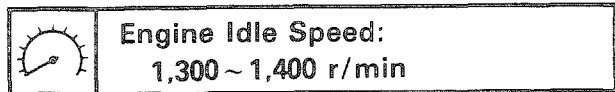
ENGINE

IDLE SPEED ADJUSTMENT

1. Remove:
 - Lower cowling
Refer to "COWLINGS" section.
2. Start the engine and warm it up.
3. Attach:
 - Inductive Tachometer
To the spark plug lead.



4. Check:
 - Engine idle speed
Out of specification → Adjust.

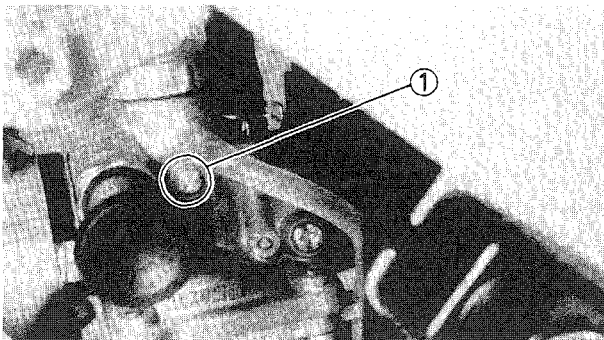


5. Adjust:
 - Engine idle speed

Adjustment steps:

- Turn the throttle stop screw ① in or out until specified idle speed is obtained.

Turn in	Idle speed becomes higher.
Turn out	Idle speed becomes lower.



THROTTLE CABLE FREE PLAY ADJUSTMENT/ AUTOLUBE PUMP CABLE ADJUSTMENT



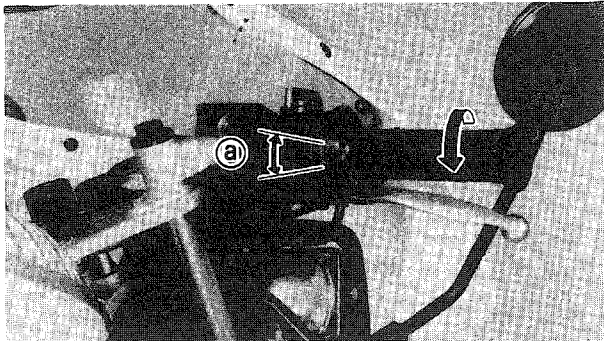
6. Install:
 - Lower cowling
 - Refer to "COWLINGS" section.

THROTTLE CABLE FREE PLAY ADJUSTMENT

NOTE: _____

Before adjusting throttle cable free play, engine idle speed should be adjusted.

1. Check:
 - Throttle cable free play (a)
 - Out of specification → Adjust.



Throttle Cable Free Play:
3 ~ 7 mm (0.12 ~ 0.28 in)

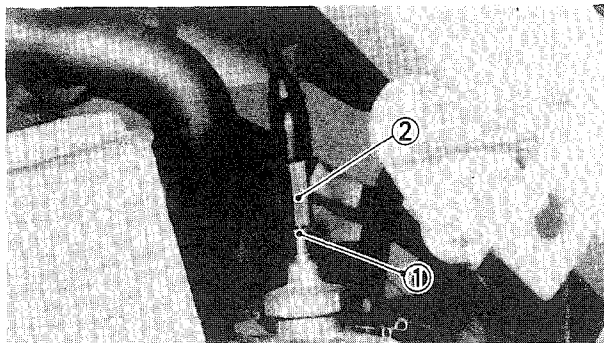
2. Adjust:
 - Throttle cable free play

Adjustment steps:

- Loosen the locknut (1).
- Turn the adjuster (2) in or out until the correct free play is obtained.

Turn in	Free play is increased.
Turn out	Free play is decreased.

- Tighten the locknut.



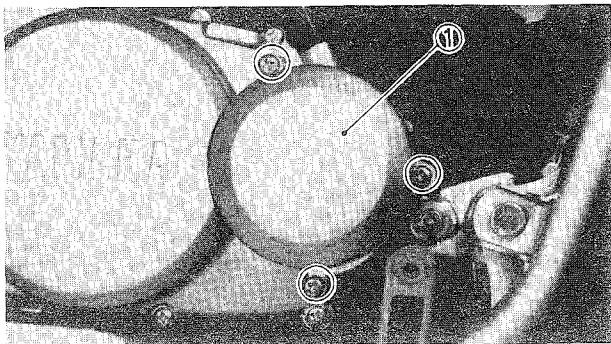
AUTOLUBE PUMP CABLE ADJUSTMENT

NOTE: _____

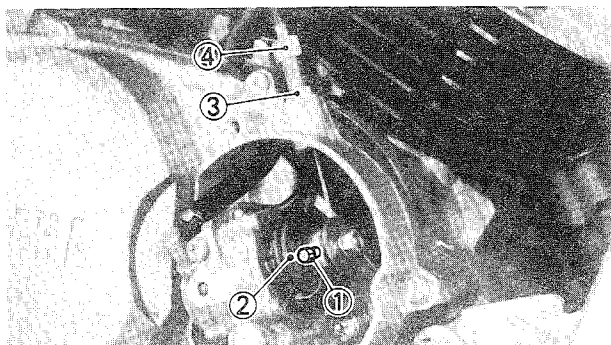
Before adjusting Autolube pump cable, the throttle cable free play should be adjusted.

1. Remove:
 - Lower cowling
 - Refer to "COWLINGS" section.

AUTOLUBE PUMP CABLE ADJUSTMENT/ AUTOLUBE PUMP STROKE ADJUSTMENT



2. Remove:
 - Autolube pump cover ①



3. Check:
 - Alignment mark

Checking steps:

- Start the engine.
- Rotate the throttle grip slightly until the slack is removed from all cables (Until the engine speed just begins to rise).
- Check to see that Autolube pump plunger pin ① is aligned with the match mark ②.
Incorrect → Adjust Autolube pump cable.

4. Adjust:
 - Autolube pump cable

Adjustment steps:

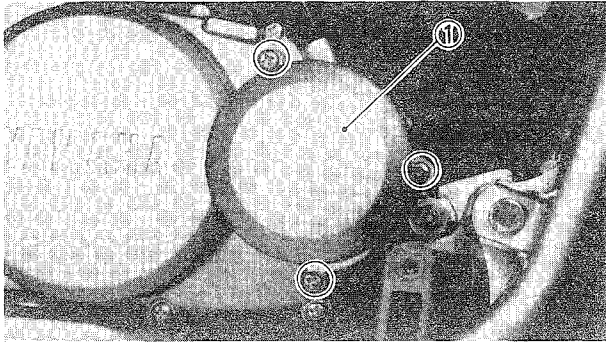
- Loosen the locknut ③.
- Turn the adjuster ④ in or out until the alignment mark is aligned with the pin.
- Tighten the locknut.

5. Install:
 - Autolube pump cover
 - Lower cowling

AUTOLUBE PUMP STROKE ADJUSTMENT

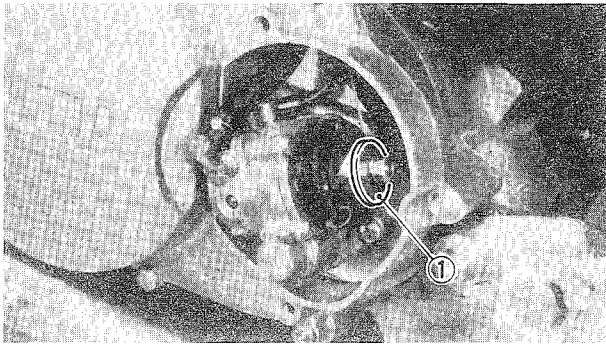
1. Remove:
 - Lower cowling
Refer to the "COWLINGS" section.

AUTOLUBE PUMP STROKE ADJUSTMENT

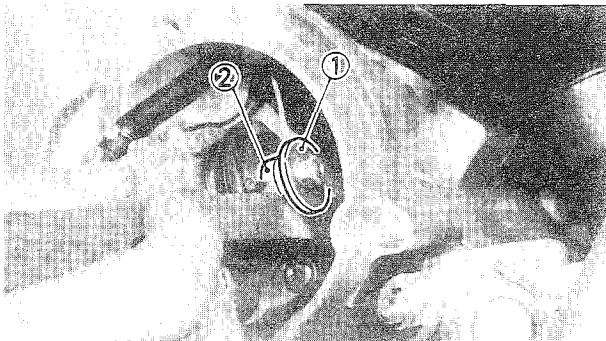


2. Remove:
 - Autolube pump cover ①

3. Start the engine and warm it up.



4. While running the engine at idle, observe the pump adjusting plate carefully. Stop the engine the moment that the adjusting plate ① moves out to its limit.



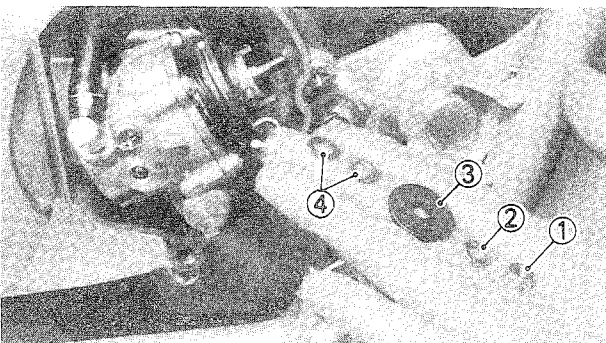
5. Measure:
 - Gap
 - Out of specification → Adjust.
 - Measure the gap with the thickness gauge between the raised boss ② on the pump adjusting pulley and the adjusting plate ①.

	Minimum Pump Stroke:
	0.20 ~ 0.25 mm (0.008 ~ 0.010 in)

NOTE: _____

When inserting the thickness gauge between the adjusting plate and the adjusting pulley, be careful so that neither the plate nor the pulley is moved. In other words, do not force the thickness gauge into the gap.

6. Adjust:
 - Autolube pump minimum stroke



Adjustment steps:	
◦Remove the locknut ①, spring washer ② and adjusting plate ③.	
◦Adjust the pump stroke by adding or removing a shim(s) ④.	

Add shim	Pump stroke is increased.
Remove shim	Pump stroke is decreased.

- Install the adjusting plate, spring washer and locknut.



Locknut:
7 Nm (0.7 m·kg, 5.1 ft·lb)

- Recheck the minimum pump stroke. If out of specification, perform the above steps again.

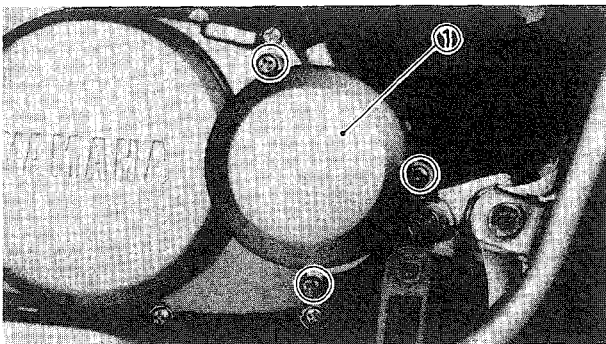
7. Install:
- Autolube pump cover
 - Lower cowling

AUTOLUBE PUMP AIR BLEEDING

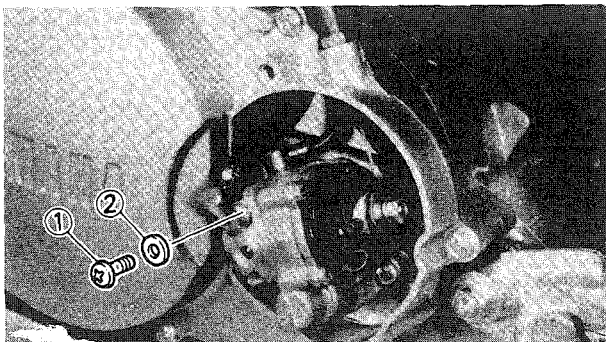
NOTE:

The Autolube pump and delivery lines must be bled on the following occasions:

- Setting up a new motorcycle out of the crate.
- Whenever the oil tank has run dry.
- Whenever any portion of the engine oil system is disconnected.



1. Remove:
 - Lower cowling
Refer to "COWLINGS" section.
2. Remove:
 - Autolube pump cover ①
3. Air bleed:
 - Pump case and/or oil pipe



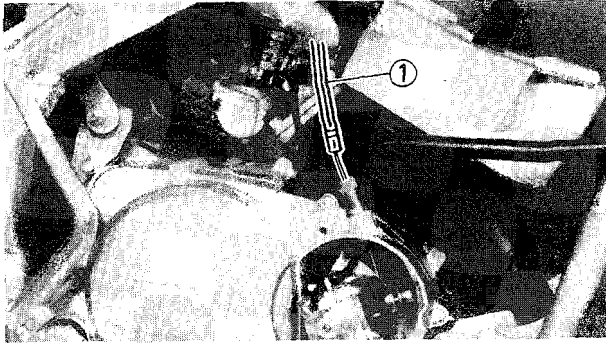
Air bleeding steps:

- Remove the bleed screw ①.
- Keep the oil running out until air bubbles disappear.
- When air bubbles are expelled completely, tighten the bleed screw.

NOTE:

Check the bleed screw gasket ②, and if damaged, replace with a new one.

AUTOLUBE PUMP AIR BLEEDING/ SPARK PLUG INSPECTION



4. Air bleed:
- Pump distributor and/or delivery hose

Air bleeding steps:

- Start the engine.
- Pull the pump cable ① all the way out to set the pump stroke to a maximum.

NOTE:

It is difficult to bleed the distributor completely with the pump stroke at a minimum, and therefore the pump stroke should be set to a maximum.

- Keep the engine running at about 2,000 r/min for two minutes or so, and both distributor and delivery pipe can be completely bled.

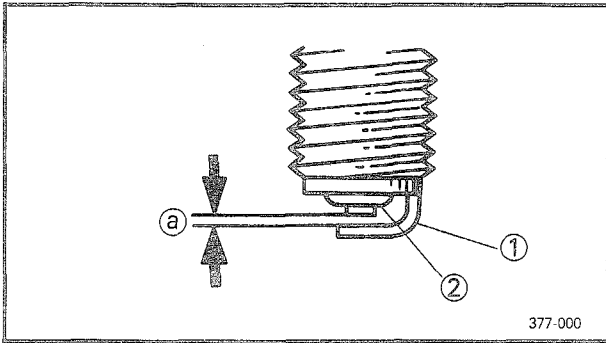
5. Install:
- Autolube pump cover
 - Lower cowling

SPARK PLUG INSPECTION


1. Remove:
 - Lower cowling
Refer to the "COWLINGS" section.
2. Remove:
 - Spark plug
3. Inspect:
 - Spark plug type
Incorrect → Replace.

**Standard Spark Plug:
B7HS or B8HS/N.G.K.**

SPARK PLUG INSPECTION/ IGNITION TIMING CHECK/ENGINE OIL LEVEL CHECK




4. Inspect:
 - Electrode ①
Wear/Damage → Replace.
 - Insulator ②
Abnormal color → Replace
Normal color is a medium-to-light tan color.
5. Clean the spark plug with a spark plug cleaner or wire brush.
6. Measure:
 - Plug gap ①
Use a Wire Gauge or Feeler Gauge.
Out of specification → Regap.

	Spark Plug Gap: 0.5 ~ 0.6 mm (0.020 ~ 0.024 in)
---	---

7. Tighten:
 - Spark plug(s)
Before installing a spark plug, clean the gasket and plug surfaces.

NOTE: _____
Finger-tighten the spark plug(s) before torquing to specification.

	Spark Plug: 25 Nm (2.5 m·kg, 18 ft·lb)
---	--


8. Install:
 - Lower cowling

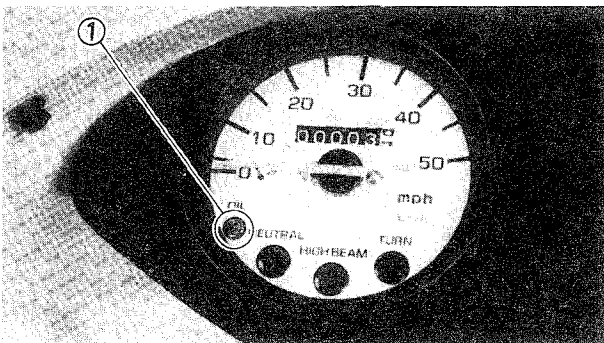
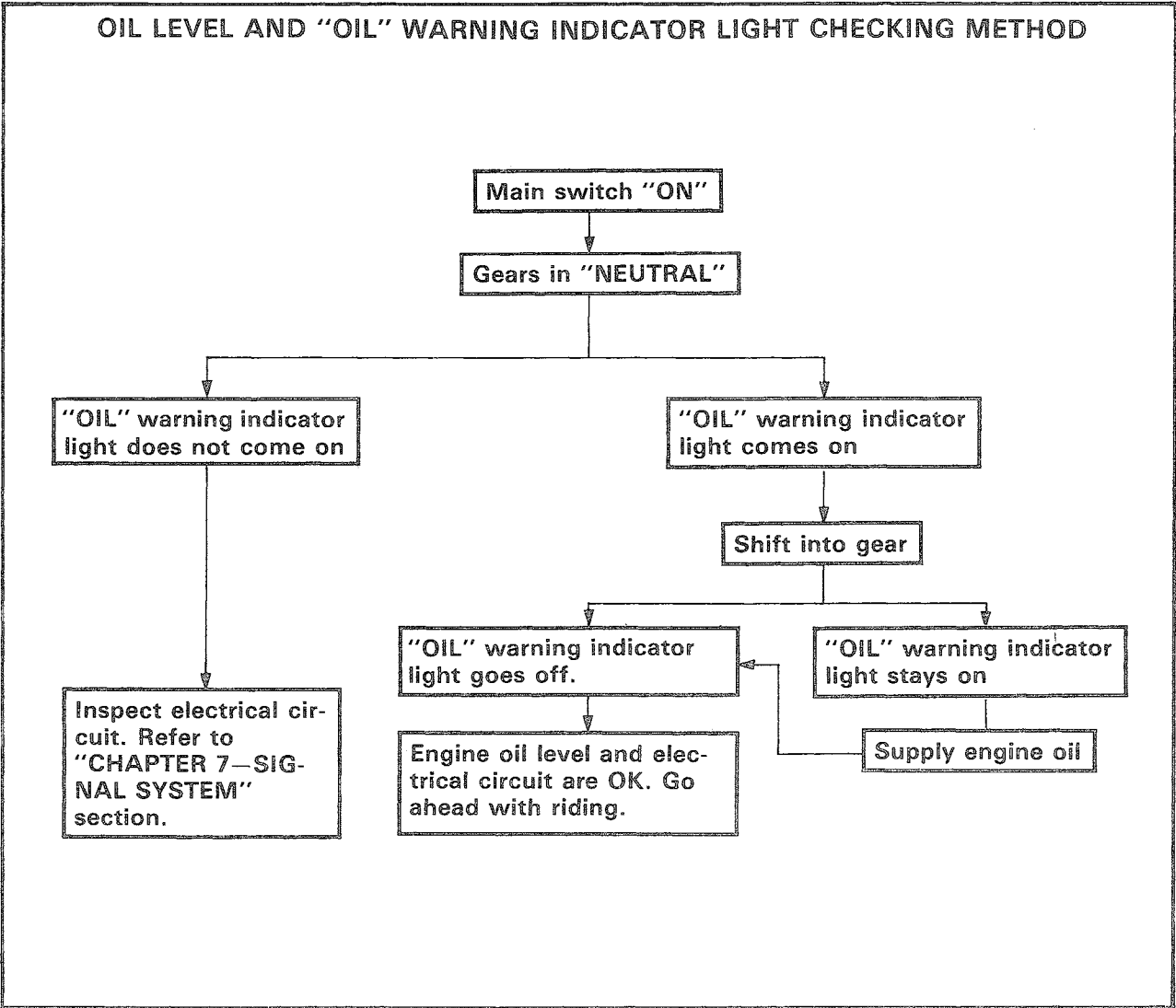
IGNITION TIMING CHECK

Adjustment free.

ENGINE OIL LEVEL CHECK

1. Check:
 - Oil level
Oil level low → Add sufficient oil.

	Recommended Oil: Yamalube "2" or Air Cooled 2 Stroke Engine Oil with "BIA Certified for Service TC-W" Oil Tank Capacity: 0.73 L (0.64 Imp qt, 0.77 US qt)
---	--



① "OIL" warning indicator light

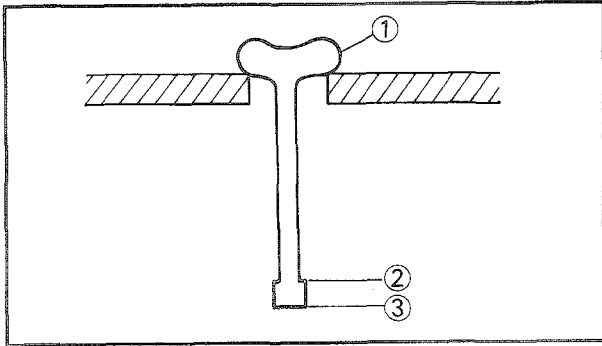
CAUTION:

Always use the same type of engine oil; mixing oils may result in a harmful chemical reaction and lead to poor performance.

TRANSMISSION OIL LEVEL INSPECTION

1. Place the motorcycle on a level surface and warm up the engine for several minutes.
2. Stop the engine and remove the oil filler cap.

TRANSMISSION OIL LEVEL INSPECTION/ TRANSMISSION OIL REPLACEMENT



3. Rest the oil dip stick ① on the threads of the hole.

NOTE: _____

- Wait a few minutes until level settles before inspecting.
- Oil dip stick is included in owner's tool kit.
- Position motorcycle straight up when inspecting oil level, a slight tilt to the side can produce false readings.

4. Inspect:

- Oil level
Oil level should be between maximum ② and minimum ③ marks.
Oil level low → Add oil to proper level.

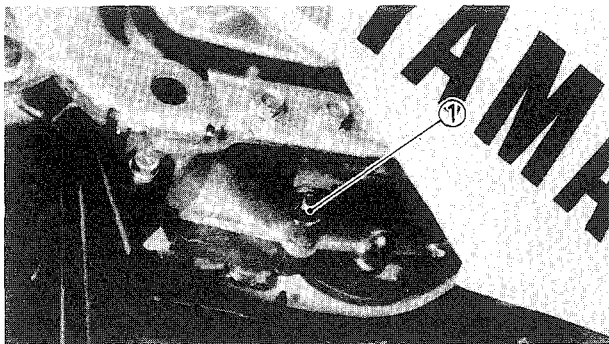


Recommended Oil:

Yamalube "4", SAE 10W30 Type
SE Motor Oil or "GL" Gear Oil

NOTE: _____

Recommended engine oil classification; API Service "SE", "SF" type or equivalent (e.g. "SF-SE", "SF-SE-CC", "SF-SE-SD" etc.).



TRANSMISSION OIL REPLACEMENT

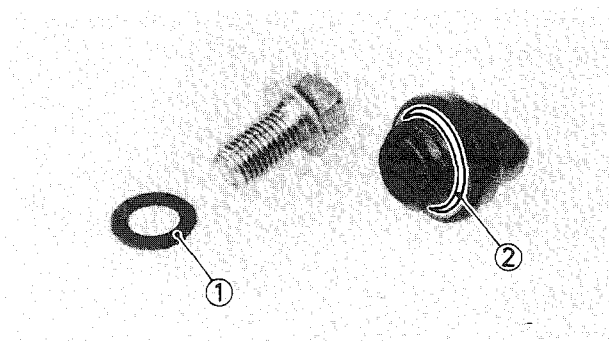
1. Warm up the engine for several minutes and stop the engine.
2. Place an oil pan under the engine.

3. Remove:


- Oil filler cap
- Drain plug ①
Drain the engine oil.

4. Inspect:


- Gasket ① (Drain plug)
- O-ring ② (Oil filler cap)
Damage → Replace.



5. Install:
- Drain plug

	Drain Plug: 20 Nm (2.0 m•kg, 14 ft•lb)
---	--

6. Fill:
- Crankcase

	Recommended Oil: Yamalube "4", SAE 10W30 Type SE Motor Oil or "GL" Gear Oil. Oil Capacity (Periodic Oil Change): 0.60 L (0.53 Imp qt, 0.63 US qt)
---	---

NOTE: _____

Recommended engine oil classification; API Service "SE", "SF" type or equivalent (e.g. "SF-SE", "SF-SE-CC", "SF-SE-SD" etc.).

CAUTION: _____


- Do not allow foreign material to enter the crankcase.
- Do not add any chemical additives. Transmission oil also lubricates the clutch and additives could cause clutch slippage.

7. Install:
- Oil filler cap
8. Inspect:
- Oil leaks
 - Oil level

CLUTCH ADJUSTMENT

Free Play Adjustment

1. Check:
- Clutch cable free play (a)
- Out of specification → Adjust.

	Free Play: 2 ~ 3 mm (0.08 ~ 0.12 in)
---	--

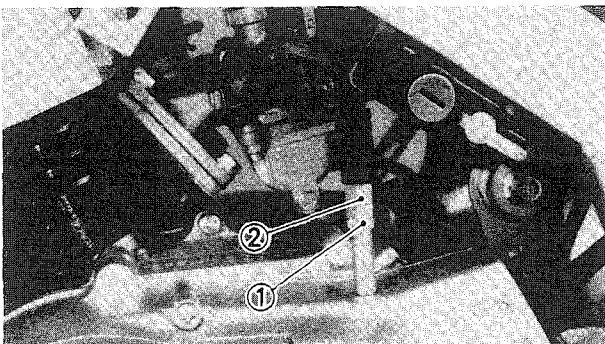
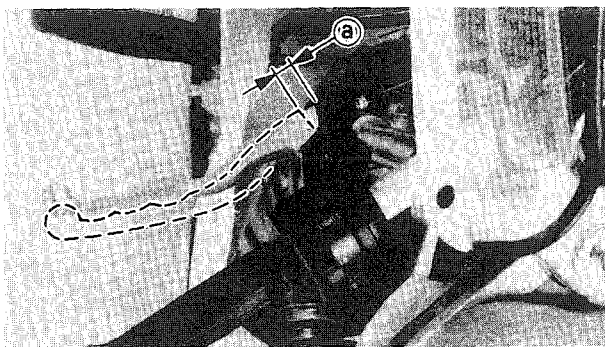
2. Adjust:
- Clutch cable free play

Adjustment steps:

- Loosen the locknuts (1).
- Turn the adjusters (2) in or out until the specified free play is obtained.

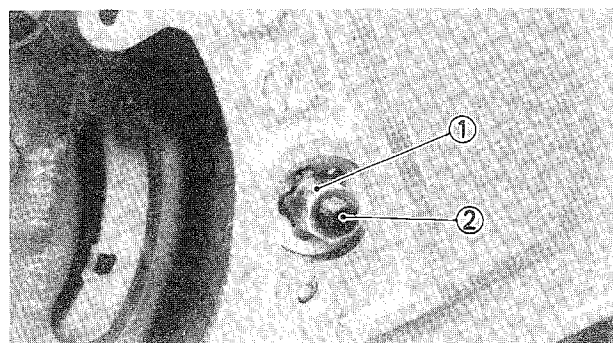
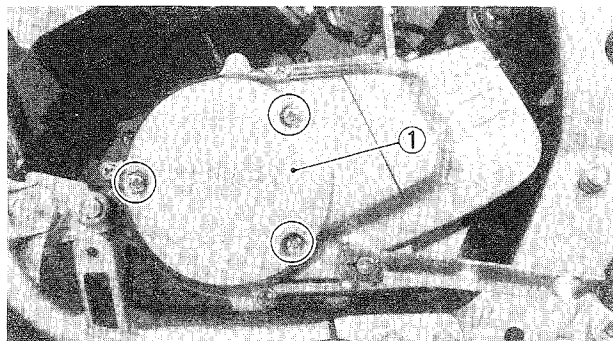
Turn in	Free play is increased.
Turn out	Free play is decreased.

- Tighten the locknuts.



NOTE:

The above procedure provides for maximum cable free play to allow for proper clutch actuating mechanism adjustment.



Mechanism Adjustment

1. Loosen:
 - Cable length adjuster locknut
2. Tighten:
 - Cable length adjuster (Until tight)
3. Remove:
 - Lower cowling
 - Refer to "COWLINGS" section.
 - Flywheel magneto cover ①
4. Adjust:
 - Clutch push lever free play

Adjustment steps:

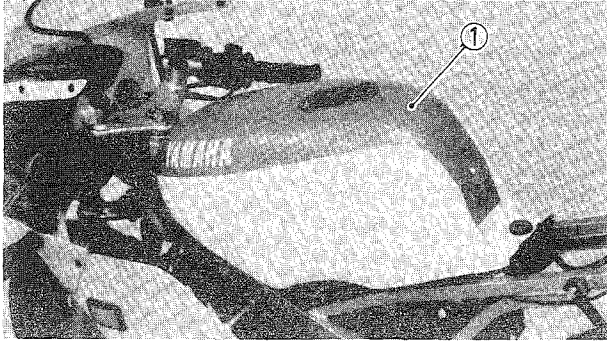
- Loosen the locknut ①.
- Turn the adjuster ② until it is lightly seated.
- Turn out the adjuster 1/4 turn.
- Tighten the locknut while holding the adjuster.

5. Install:
 - Flywheel magneto cover
 - Lower cowling
6. Adjust:
 - Clutch cable free play
 - Refer to "Free play adjustment" section.

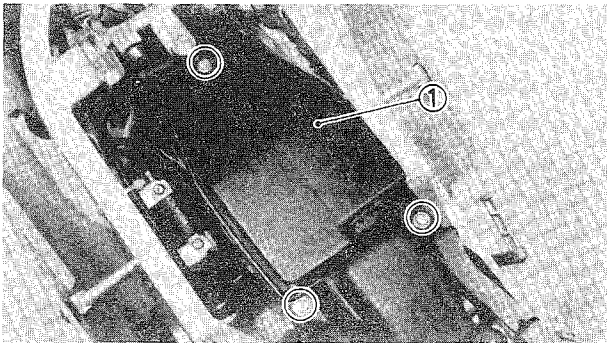
AIR FILTER CLEANING

1. Remove:
 - Front seat
 - Side cover
- Refer to "SIDE COVER" section.

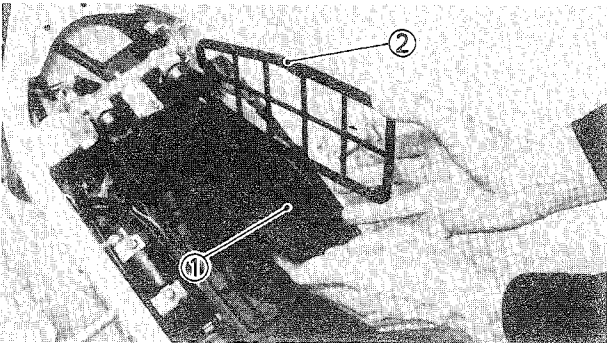
AIR FILTER CLEANING



2. Turn the fuel cock to "OFF" and disconnect the fuel hose.
3. Remove:
 - Fuel tank ①



4. Remove:
 - Air filter cover ①



5. Remove:
 - Air filter element ①
 - Element guide ②

CAUTION:

Never operate the engine with the air filter element removed. This will allow unfiltered air to enter, causing rapid wear and possible engine damage. Additionally, operation without the filter element will affect carburetor tuning with subsequent poor performance and possible engine overheating.

6. Clean:
 - Air filter element

Cleaning steps:

- Wash the element gently, but thoroughly in solvent.

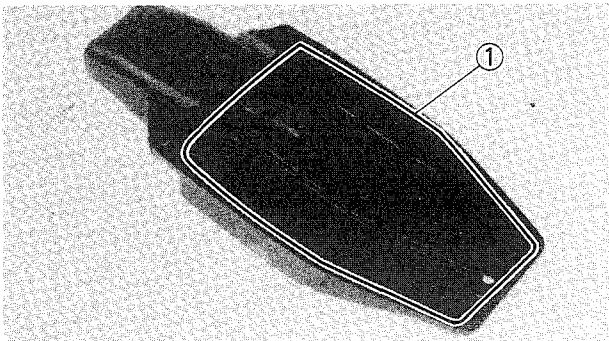
WARNING:

Never use low flash point solvents such as gasoline to clean the element. Such solvent may lead to a fire or explosion.

- Squeeze the excess solvent out of the element and let dry.

CAUTION: _____

Do not twist the element when squeezing the element.



7. Inspect:
 - Air filter element
 - Seal ①
Damage → Replace.
8. Apply:
 - Foam-air-filter oil or Yamalube 2-cycle oil
Onto the element.
9. Squeeze out the excess oil.

NOTE: _____

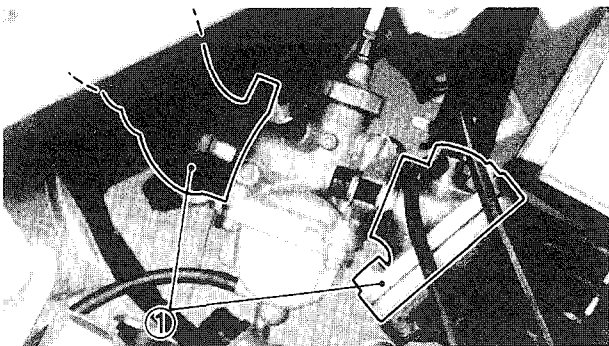
The element should be wet but not dripping.

10. Install:
 - Air filter element
 - Element guide
 - Air filter case cover

CAUTION: _____

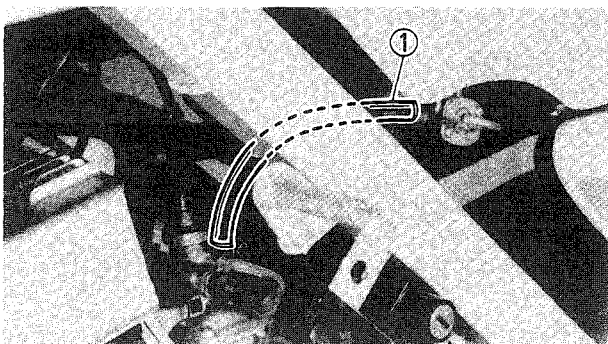
When installing the air filter element in its case, be sure its sealing surface matches the sealing surface of the case so there is no air leak.

11. Install:
 - Fuel tank
 - Front seat
 - Side cover



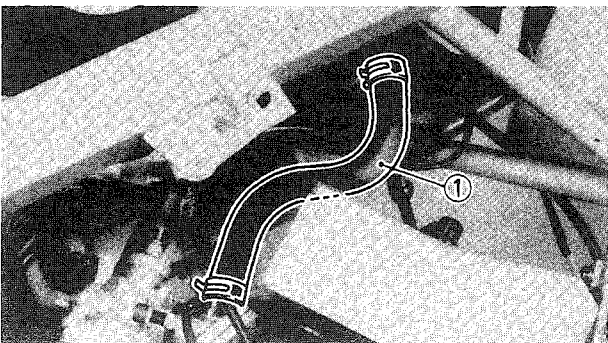
CARBURETOR JOINT INSPECTION

1. Remove:
 - Lower cowling
Refer to "COWLINGS" section.
2. Inspect:
 - Carburetor joint ①
Cracks/Damage → Replace.
3. Install:
 - Lower cowl



FUEL LINE INSPECTION

1. Remove:
 - Lower cowling
Refer to "COWLINGS" section
2. Inspect:
 - Fuel hose ①
Cracks/Damage → Replace.
3. Install:
 - Lower cowl




Y.E.I.S. HOSE INSPECTION

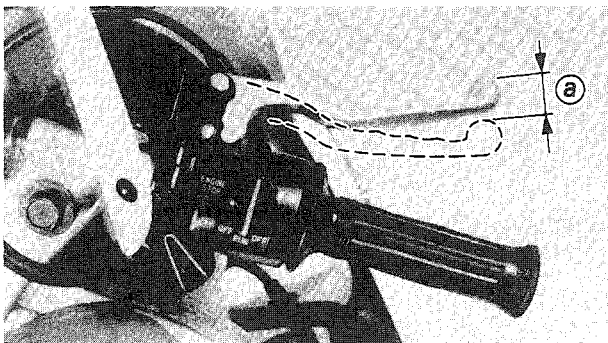
1. Remove:
 - Lower cowling
Refer to "COWLINGS" section.
2. Inspect:
 - Y.E.I.S. hose ①
Cracks/Damage → Replace.
3. Install:
 - Lower cowling

EXHAUST SYSTEM INSPECTION

1. Remove:
 - Lower cowling
Refer to "COWLINGS" section.
2. Inspect:
 - Exhaust pipe
Cracks/Damage → Replace.
 - Gaskets
Exhaust gas leakage → Replace or tighten the ring nut (Exhaust pipe).

	Ring Nut (Exhaust Pipe):
	6 Nm (0.6 m·kg, 4.2 ft·lb)
	Bolt (Exhaust Pipe):
	18 Nm (1.8 m·kg, 13 ft·lb)


3. Install:
 - Lower cowling



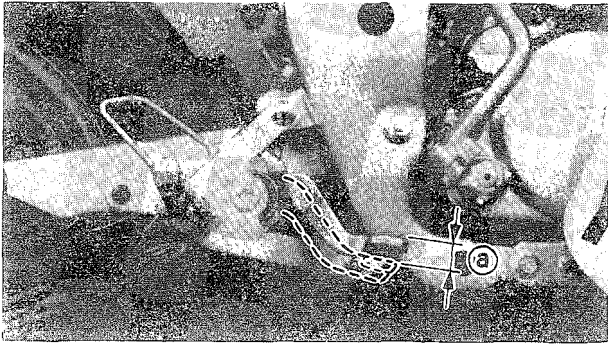
CHASSIS

FRONT BRAKE ADJUSTMENT

1. Check:
 - Brake lever free play ①
Out of specification → Inspect the brake system.
Refer to "CHAPTER 7—FRONT BRAKE" section.

	Free Play:
	2 ~ 5 mm (0.08 ~ 0.20 in)

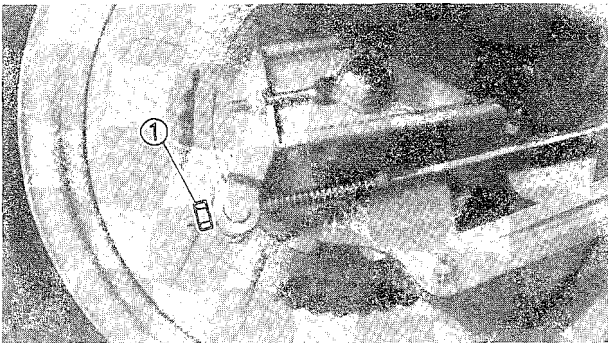
REAR BRAKE ADJUSTMENT/ BRAKE FLUID INSPECTION



REAR BRAKE ADJUSTMENT

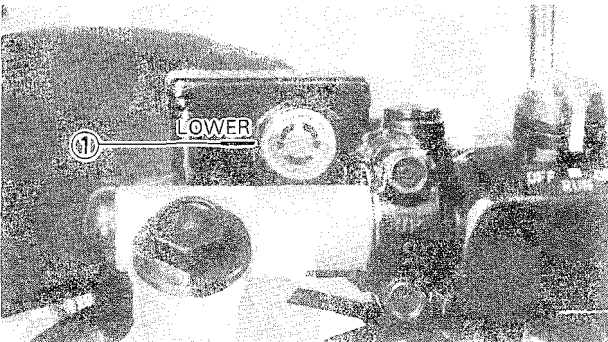
1. Check:
 - Brake pedal free play (a)
 - Out of specification → Adjust.

	Brake Pedal Free Play: 20 ~ 30 mm (0.8 ~ 1.2 in)
--	--



Adjustment steps:	
◦ Turn the adjuster (1) in or out until the specified free play is obtained.	

Turn in	Free play is decreased.
Turn out	Free play is increased.



BRAKE FLUID INSPECTION

1. Make sure the master cylinder top is horizontal by turning the handlebars.
2. Inspect:
 - Brake fluid level
 - Fluid level is under "LOWER" level line (1) → Replenish.

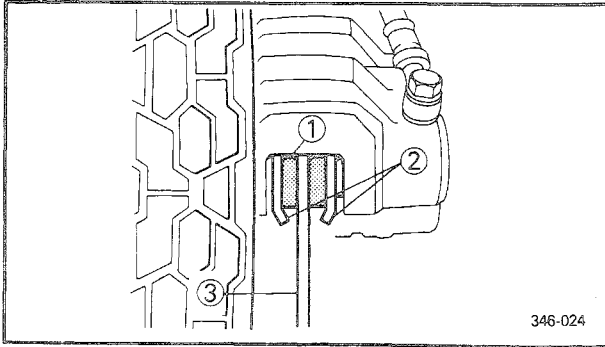
	Recommended Brake Fluid: DOT #3
--	---

CAUTION:

Brake fluid may erode painted surfaces or plastic parts. Always clean up spilled fluid immediately.

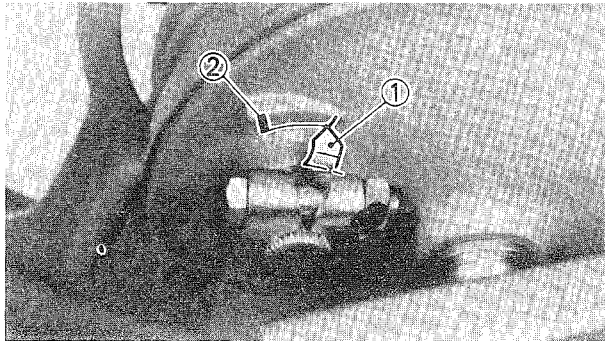
WARNING:

- Use only the designated quality brake fluid; otherwise, the rubber seals may deteriorate, causing leakage and poor brake performance.
- Refill with the same type of brake fluid; mixing fluids may result in a harmful chemical reaction and lead to poor performance.
- Be careful that water does not enter the master cylinder when refilling. Water will significantly lower the boiling point of the fluid and may result in vapor lock.



BRAKE PAD INSPECTION

1. Activate the brake lever.
2. Inspect:
 - Brake pad ①
 - Wear indicator ② almost contacts brake disc ③ → Replace brake pad as a set.Refer to "BRAKE PAD REPLACEMENT" section in the CHAPTER 6 for replacement.



BRAKE SHOE INSPECTION

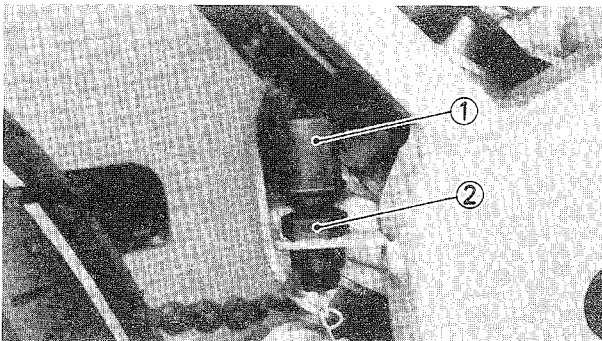
1. Activate the brake pedal.
2. Inspect:
 - Wear indicator ①
 - Indicator at wear limit line ② → Replace brake shoes.

BRAKE LIGHT SWITCH ADJUSTMENT

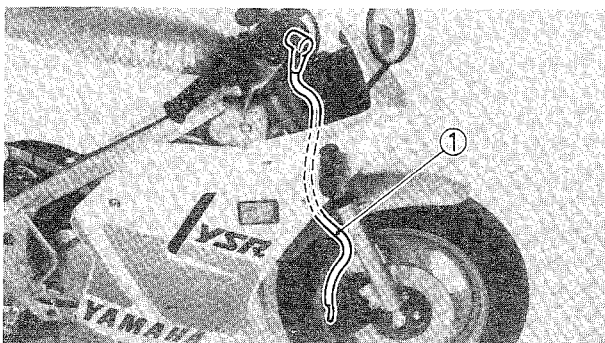
NOTE:

The brake light switch is operated by movement of the brake pedal.

Proper adjustment is achieved when the brake light comes on just before the brake begins to take effect.



1. Hold the switch body ① with your hand so that it does not rotate and turn the adjusting nut ②.



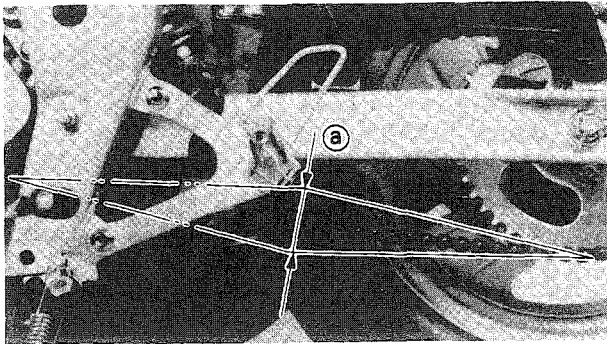
BRAKE HOSE INSPECTION

1. Inspect:
 - Brake hose ①
 - Crack/Damage/Fluid leakage → Replace.


DRIVE CHAIN SLACK ADJUSTMENT

NOTE:

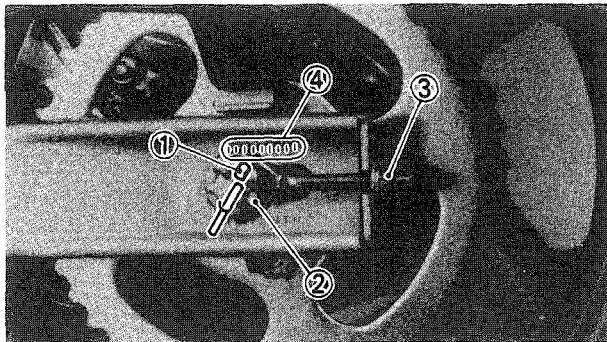
Before checking and/or adjusting, rotate the rear wheel through several revolutions and check slack at several points to find the tightest point. Check and/or adjust the chain slack with the rear wheel in this "tightest" position.



1. Check:
 - Drive chain slack **a**
 - Out of specification → Adjust.

	Drive Chain Slack: 25 ~ 30 mm (1.0 ~ 1.2 in)
---	--

2. Adjust:
 - Drive chain slack



Adjustment steps:

CAUTION:

Too small chain slack will overload the engine and other vital parts; keep the slack within the specified limits.

- Remove the cotter pin **1**.
- Loosen the nut (Rear wheel axle) **2**.
- Turn the adjusters **3** in or out until specific slack is obtained

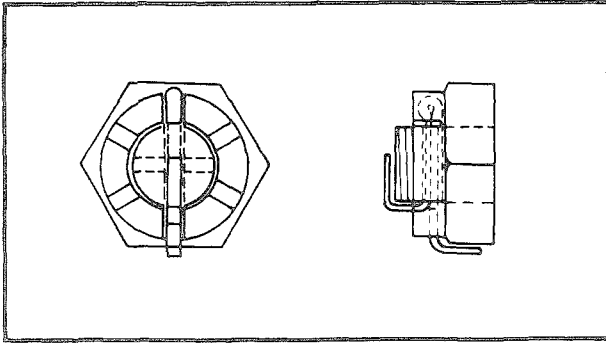
Increase slack	Turn out the adjusters and push the rear wheel forward.
Decrease slack	Turn in the adjusters.

NOTE:

Turn each adjuster exactly the same amount to maintain correct axle alignment. (There are marks **4** on each side of swingarm and on each chain puller; use them to check for proper alignment.)

DRIVE CHAIN SLACK ADJUSTMENT/DRIVE CHAIN LUBRICATION/STEERING HEAD ADJUSTMENT

INSP
ADJ



- Tighten the nut (Rear wheel axle)



Nut (Rear Wheel Axle):
60 Nm (6.0 m•kg, 44 ft•lb)

- Insert a new cotter pin.

WARNING: _____

Always use a new cotter pin.

- Bend the end of cotter pin as shown.
- Adjust the free play in the brake pedal.

DRIVE CHAIN LUBRICATION

The chain consists of many parts which work against each other. If the chain is not maintained properly, it will wear out rapidly, therefore, form the habit of periodically servicing the chain. This service is especially necessary when riding in dusty conditions.

1. Use any brand of spray type chain lubricant.
First, remove all dirt and mud from the chain with a brush or cloth, then spray a lubricant between both rows of side plates and on all center rollers.
2. To clean the chain, remove the chain from the machine, dip it in solvent, and clean out as much dirt as possible. Take the chain out of the solvent and dry it. Immediately lubricate the chain to prevent rust.

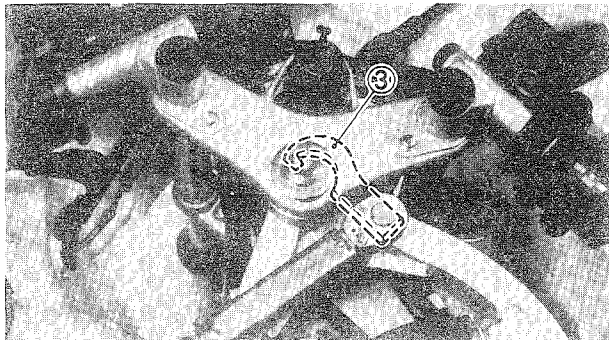
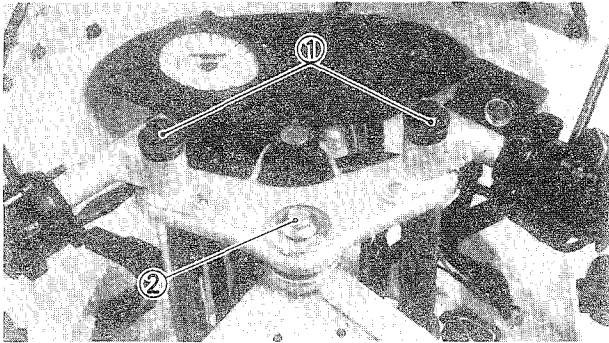
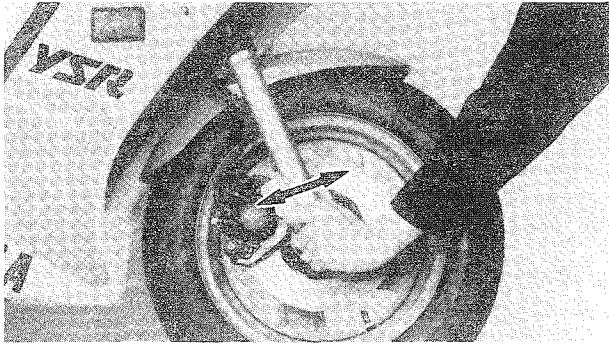
STEERING HEAD ADJUSTMENT

WARNING: _____

Securely support the motorcycle so there is no danger of it falling over.

1. Remove:
 - Lower cowling
Refer to "COWLINGS" section.
2. Elevate the front wheel by placing a suitable stand under the engine.

STEERING HEAD ADJUSTMENT



3. Check:

- Steering assembly bearings
Grasp the bottom of the forks and gently rock the fork assembly back and forth.
Looseness → Adjust steering head.

4. Adjust:

- Steering head

Adjustment steps:

- Loosen the cap bolts ①.
- Loosen the steering stem bolt ②.
- Tighten the ring nut using the Ring Nut Wrench ③.



Ring Nut Wrench:
YU-33975

NOTE:

Set the torque wrench to the ring nut wrench so that they form a right angle.



Ring Nut (Initial Tightening):
30 Nm (3.0 m·kg, 22 ft·lb)

- Loosen the ring nut one turn.
- Retighten the ring nut using the Ring Nut Wrench.

WARNING:

Avoid over-tightening.



Ring Nut (Final Tightening):
6 Nm (0.6 m·kg, 4.3 ft·lb)

- Tighten the steering stem bolt and cap bolt.



Steering Stem Bolt:
40 Nm (4.0 m·kg, 28 ft·lb)
Cap Bolt:
30 Nm (3.0 m·kg, 22 ft·lb)

5. Install:

- Lower cowling

TIRE INSPECTION

WARNING:

Do not attempt to use tubeless tires on a wheel designed for tube type tires only. Tire failure and personal injury may result from sudden deflation.

Wheel	Tire
Tube type	Tube type only
Tubeless	Tube type or tubeless

Be sure to install the correct tube when using tube type tires.

1. Measure:

- Tire pressure
Out of specification → Adjust.

WARNING:


Tire inflation pressure should be checked and adjusted when the temperature of the tire equals the ambient air temperature. Tire inflation pressure must be adjusted according to total weight of cargo, rider, passenger, and accessories (fairing, saddlebags, etc. if approved for this model), and vehicle speed.

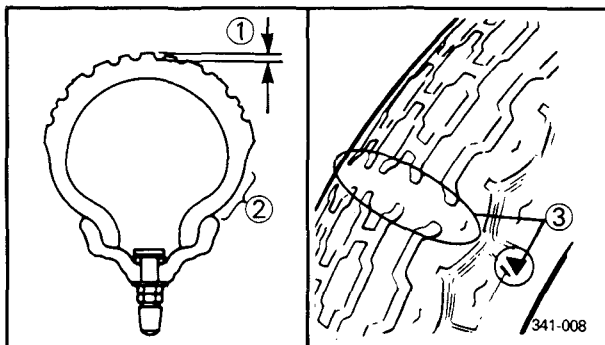
Basic weight:		
With oil and full fuel tank	91 kg (201 lb)	
Maximum load*	68 kg (150 lb)	
Cold tire pressure	Front	Rear
Zero ~ Maximum load*	130 kPa (1.3 kg/cm ² , 18 psi)	150 kPa (1.5 kg/cm ² , 21 psi)

*Load is the total weight of cargo, rider, and accessories.

2. Inspect:

- Tire surfaces
Wear/Damage → Replace.

	Minimum Tire Tread Depth: (Front and Rear)
	1.0 mm (0.04 in)



- ① Tread depth
- ② Side wall
- ③ Wear indicator



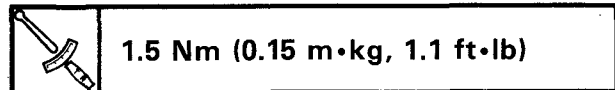
WHEEL INSPECTION

1. Inspect:
 - Wheels
Damage/Bends→Replace.

NOTE: _____
Always balance the wheel when a tire or wheel has been changed or replaced.

WARNING: _____
Never attempt even small repairs to the wheel.

2. Tighten:
 - Valve stem locknut



WARNING: _____
Ride conservatively after installing a tire to allow it to seat itself properly on the rim.

CABLE INSPECTION AND LUBRICATION

WARNING: _____
Damaged cable sheath may cause corrosion and interfere with the cable movement. An unsafe condition may result so replace such cable as soon as possible.

1. Inspect:
 - Cable sheath
Damage→Replace.

CABLE INSPECTION AND LUBRICATION/LEVER AND PEDAL LUBRICATION/SIDESTAND LUBRICATION



2. Check:

- Cable operation

Unsmooth operation → Lubricate.



Recommended Lubricant:

**Yamaha Chain and Cable Lube
or SAE 10W30 Motor Oil**

NOTE: _____

Hold cable end high and apply several drops of lubricant to cable.

LEVER AND PEDAL LUBRICATION

Lubricate pivoting parts of each lever and pedal.



Recommended Lubricant:

**Yamaha Chain and Cable Lube
or SAE 10W30 Motor Oil**

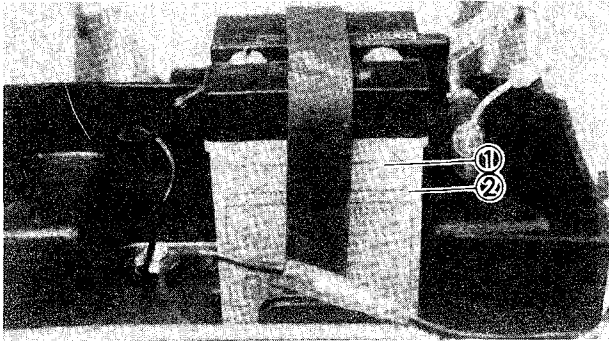
SIDESTAND LUBRICATION

Lubricate the sidestand at pivot points.



Recommended Lubricant:

**Yamaha Chain and Cable Lube
or SAE 10W30 Motor Oil**



ELECTRICAL BATTERY INSPECTION

1. Remove:
 - Front seat
 - Side cover
 Refer to "SIDE COVER" section
2. Inspect:
 - Fluid level should be between upper ① and lower ② level marks.
 - Incorrect → Refill.

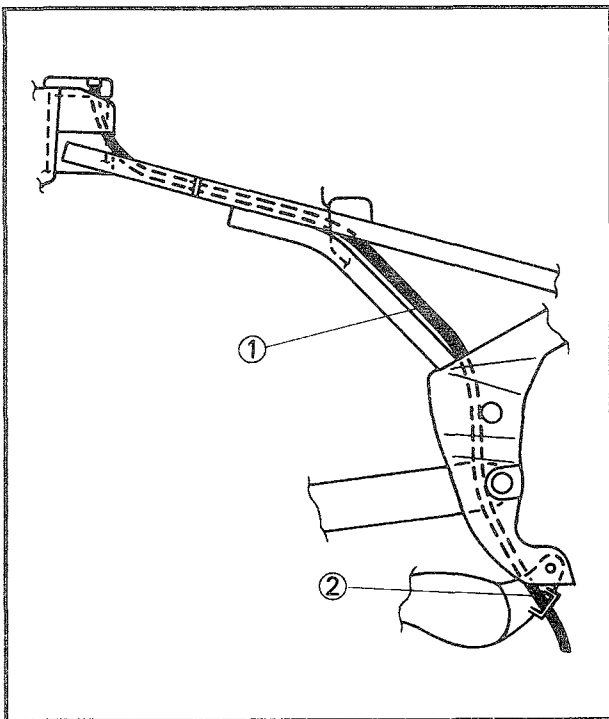
CAUTION:

Refill with distilled water only; tap water contains minerals harmful to a battery.

3. Inspect:
 - Battery terminal
 - Dirty terminal → Clean with wire brush.
 - Poor connection → Correct.

NOTE:

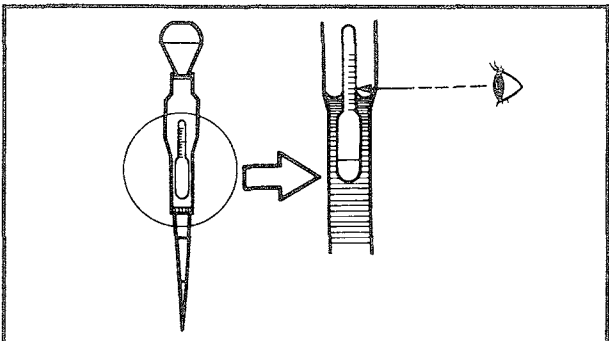
After cleaning the terminals, apply grease lightly to the terminals.



4. Connect:
 - Breather hose ①
 - Be sure the hose is properly attached and routed.
- ② Pass the breather hose into the clamp.
5. Inspect:
 - Breather hose
 - Obstruction → Remove.
 - Damage → Replace.

CAUTION:

When inspecting the battery, be sure the breather hose is routed correctly. If the breather hose touches the frame or exits in such a way as to cause battery electrolyte or gas to exit onto the frame, structural and cosmetic damage to the motorcycle can occur.



6. Check:
 - Specific gravity
 - Less than 1.280 → Recharge battery.

<p>Charging Current: 0.4 amps/10 hrs (6V)</p> <p>Specific Gravity: 1.280 at 20°C (68°F)</p>

Replace the battery if:

- Battery voltage will not rise to a specific value or bubbles fail to rise even after many hours of charging.
- Sulfation of one or more cells occurs, as indicated by the plates turning white, or an accumulation of material exists in the bottom of the cell.
- Specific gravity readings after a long, slow charge indicate one cell to be lower than the rest.
- Warpage or buckling of plates or insulators is evident.

CAUTION:

Always charge a new battery before using it to ensure maximum performance.

WARNING:

Battery electrolyte is dangerous; it contains sulfuric acid and therefore is poisonous and highly caustic.

Always follow these preventive measures:

- Avoid bodily contact with electrolyte as it can cause severe burns or permanent eye injury.
- Wear protective eye gear when handling or working near batteries.

Antidote (EXTERNAL):

- SKIN— Flush with water.
- EYES— Flush with water for 15 minutes and get immediate medical attention.

Antidote (INTERNAL):

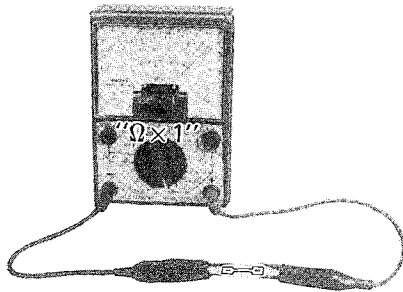
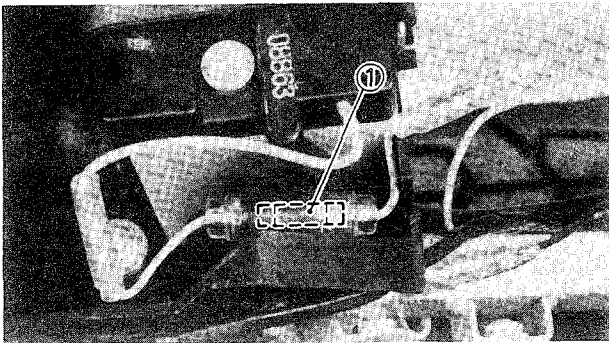
- Drink large quantities of water or milk. Follow with milk of magnesia, beaten egg, or vegetable oil. Get immediate medical attention.

Batteries also generate explosive hydrogen gas, therefore you should always follow these preventive measures:

- Charge batteries in a well-ventilated area.
- Keep batteries away from fire, sparks, or open flames (e.g., welding equipment, lighted cigarettes, etc.)




•DO NOT SMOKE When charging or handling batteries.
 KEEP BATTERIES AND ELECTROLYTE OUT OF REACH OF CHILDREN.



FUSE INSPECTION

1. Remove:
 - Front seat
 - Side cover
Refer to "SIDE COVER" section
2. Remove:
 - Fuse ①
3. Inspect:
 - Fuse

Inspection steps:
 ◦Connect the Pocket Tester to the fuse and check it for continuity.
NOTE: _____
 Set the tester selector to "Ω × 1" position.

	Pocket Tester: YU-03112
---	-----------------------------------

◦If the tester is indicated at ∞. The fuse is blown, replace it.

4. Replace:
 - Blown fuse

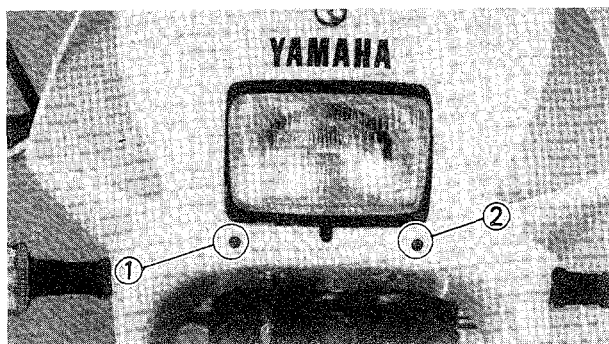
Blown fuse replacement steps:
 ◦Turn off ignition and the circuit.
 ◦Install a new fuse of proper amperage.

Fuse: 10A

◦Turn on switches to verify operation of electrical device.
 ◦If fuse blows immediately again, check circuit in question.

WARNING:

Do not use fuses of higher amperage rating than recommended. Extensive electrical system damage and fire could result from substitution of a fuse of improper amperage.



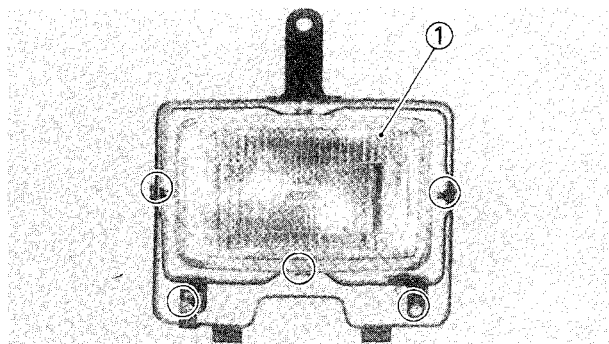
HEADLIGHT BEAM ADJUSTMENT

- Adjust:
 - Headlight beam (Vertical)

To raise the beam	Turn the adjuster ① clockwise.
To lower the beam	Turn the adjuster ① counterclockwise.

- Adjust:
 - Headlight beam (Horizontal)

To right the beam	Turn the adjuster ② counterclockwise.
To left the beam	Turn the adjuster ② clockwise.



HEADLIGHT REPLACEMENT

- Remove:
 - Lower cowling
 - Flasher lights (Left and right)
 - Flasher light stay

Refer to "COWLINGS" section.
- Remove:
 - Headlight ①
- Install:
 - Headlight (New)
- Install:
 - Flasher light stay
 - Flasher lights (Left and right)
 - Lower cowling
- Adjust:
 - Headlight beam

Refer to "HEADLIGHT BEAM ADJUSTMENT" section.



ENGINE OVERHAUL

ENGINE REMOVAL

NOTE:

- It is not necessary to remove the engine in order to remove the following components:
- Cylinder head
- Cylinder
- Piston and piston ring
- Clutch
- Primary drive gear
- Kick axle
- Shift shaft
- CDI magneto
- Autolube pump

TRANSMISSION OIL

1. Drain:

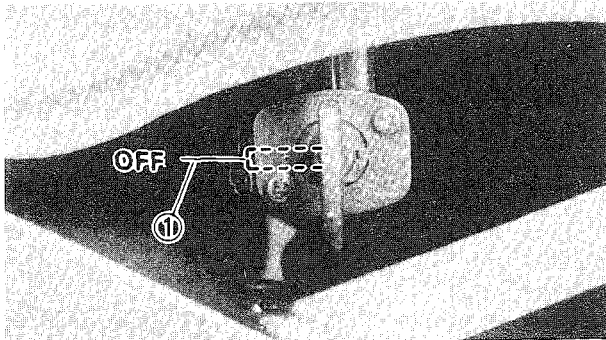
- Transmission oil
Refer to "CHAPTER 3—TRANSMISSION OIL REPLACEMENT".

COWLING AND SIDE COVER

1. Remove:

- Lower cowling
Refer to "CHAPTER 3—COWLINGS" section.
- Front seat
- Side cover
Refer to "CHAPTER 3—SIDE COVER" section.

4



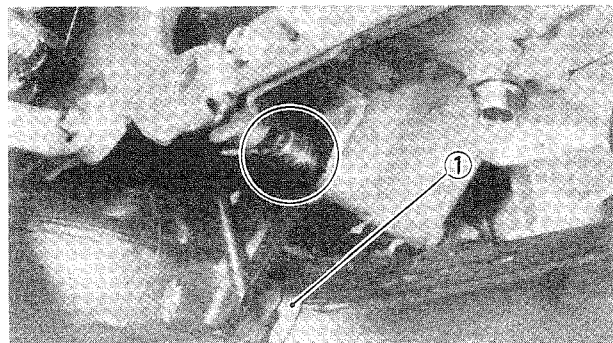
FUEL TANK

1. Turn the fuel cock to "OFF" position and disconnect the fuel hose ①.
2. Remove:
 - Fuel tank



MUFFLER

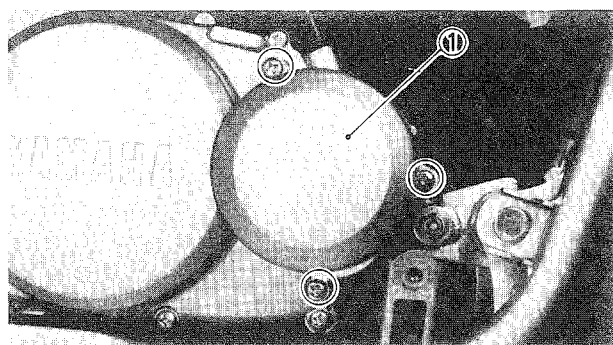
1. Remove:
 - Ring nut ①



2. Remove:
 - Muffler ①

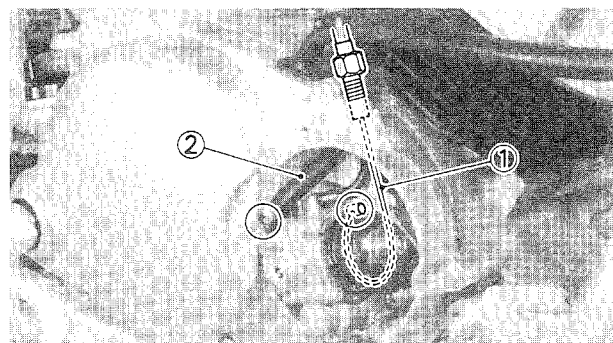
CARBURETOR

1. Remove:
 - Carburetor assembly
 Refer to the "CHAPTER 5—CARBURETOR" section.



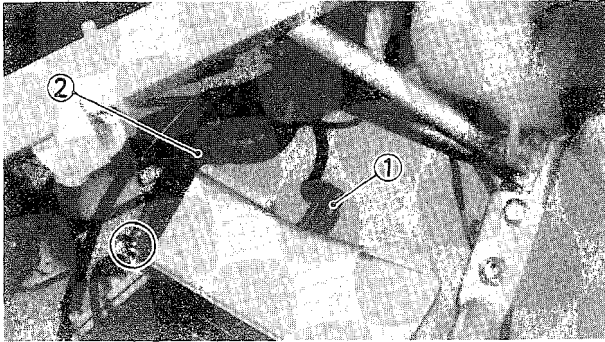
AUTOLUBE PUMP CABLE AND HOSE

1. Remove:
 - Autolube pump cover ①



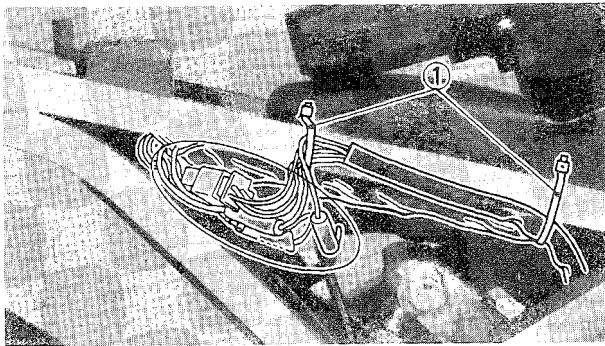
2. Disconnect:
 - Autolube pump cable ①
 - Oil hose ②

NOTE: _____
 Plug the oil hose end with a suitable screw.



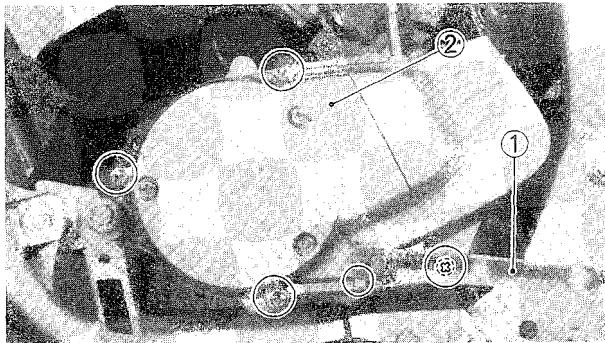
LEADS

1. Disconnect:
 - Spark plug lead (1)
 - YEIS hose (2)



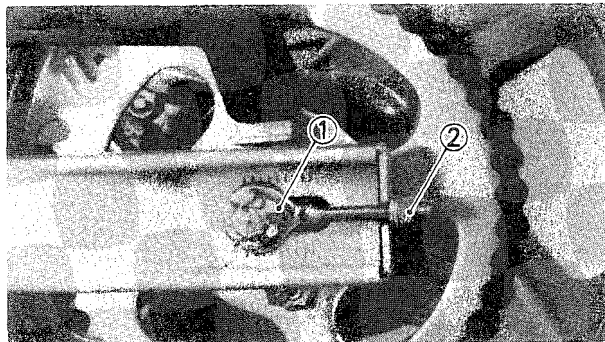
2. Disconnect:
 - CDI magneto leads
 - Neutral switch leads

3. Remove:
 - Bands (1)



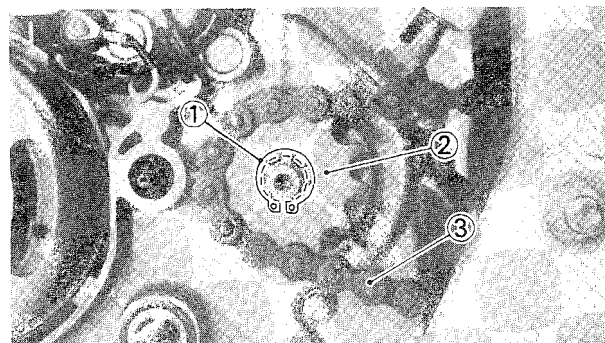
CLUTCH CABLE

1. Remove:
 - Change pedal (1)
 - Crankcase cover (Left) (2)
 - Gasket (Crankcase cover — Left)

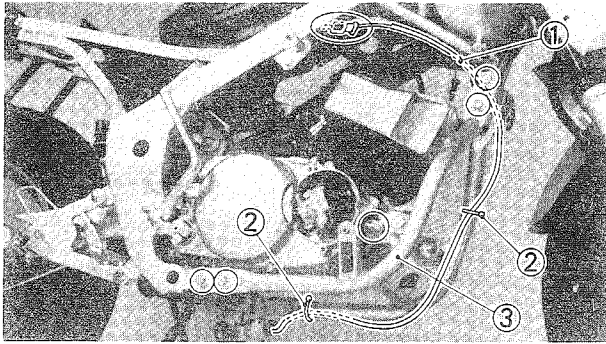


DRIVE CHAIN

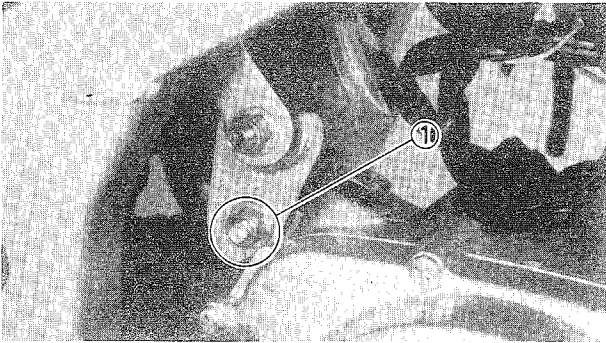
1. Loosen:
 - Nut (Rear wheel axle) (1)
 - Adjuster (2)
2. Push forward the rear wheel to loosen the drive chain.



3. Remove:
 - Circlip (1)
 - Drive sprocket (2)
 - Drive chain (3)

**ENGINE REMOVAL****1. Remove:**

- Side stand switch leads ①
- Bands ②
- Down tube ③

**2. Place a suitable stand under the engine.****3. Remove:**

- Bolt (Engine—Rear) ①
- Engine assembly





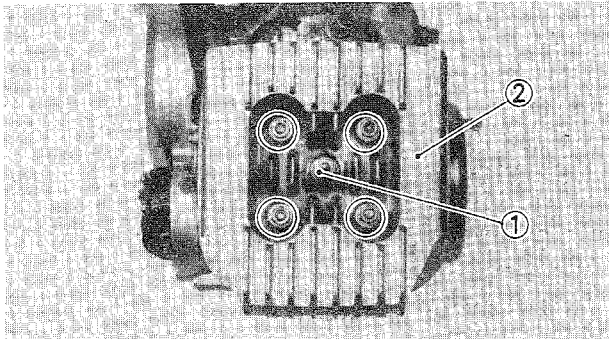
ENGINE DISASSEMBLY

CYLINDER HEAD, CYLINDER AND PISTON

NOTE:

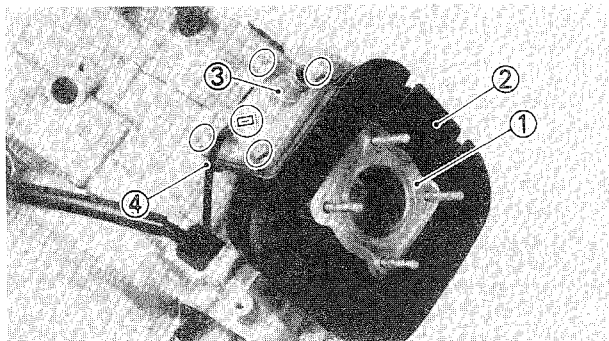
With the engine mounted, the cylinder head, cylinder and piston can be maintained by removing the following parts.

- Lower cowling
- Muffler



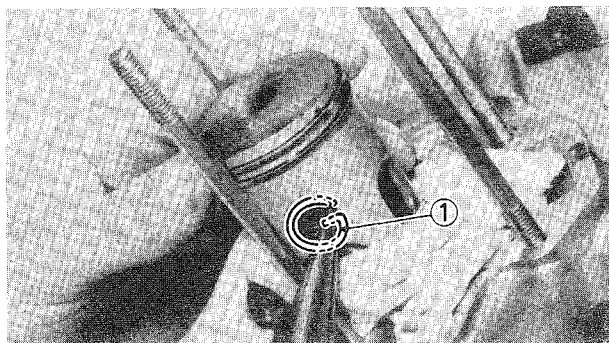
1. Remove:

- Spark plug ①
- Cylinder head ②



2. Remove:

- Gasket (Cylinder head) ①
- Cylinder ②
- Gasket (Cylinder)
- Intake manifold ③
- Oil delivery hose ④
- Reed valve
- Gasket (Reed valve)

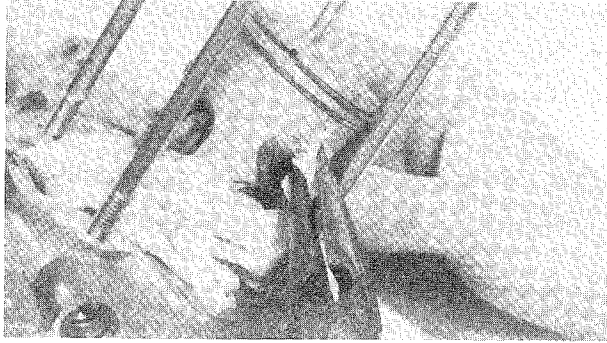


3. Remove:

- Piston pin clip ①

NOTE:

Before removing piston pin circlip, cover crankcase with a clean rag to prevent circlip from falling into crankcase cavity.



4. Remove:
 - Piston pin
 - Piston
 - Small end bearing

NOTE: _____

Before removing the piston pin, deburr the clip grooved and pin hole area. If the piston pin groove is deburred and piston pin is still difficult to remove, use Piston Pin Puller.



Piston Pin Puller:
YU-01304

CAUTION: _____

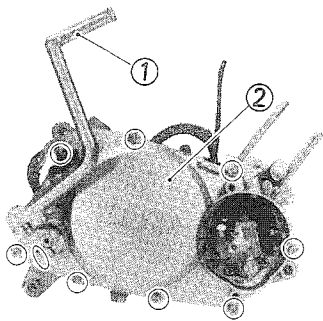
Do not use a hammer to drive the piston pin out.

CLUTCH AND PRIMARY DRIVE GEAR

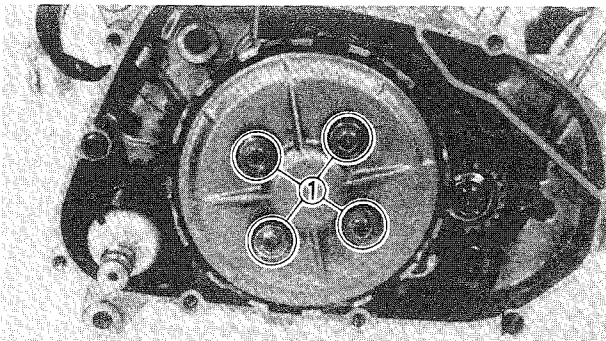
NOTE: _____

With the engine mounted, the clutch and primary drive gear can be maintained by removing the following parts.

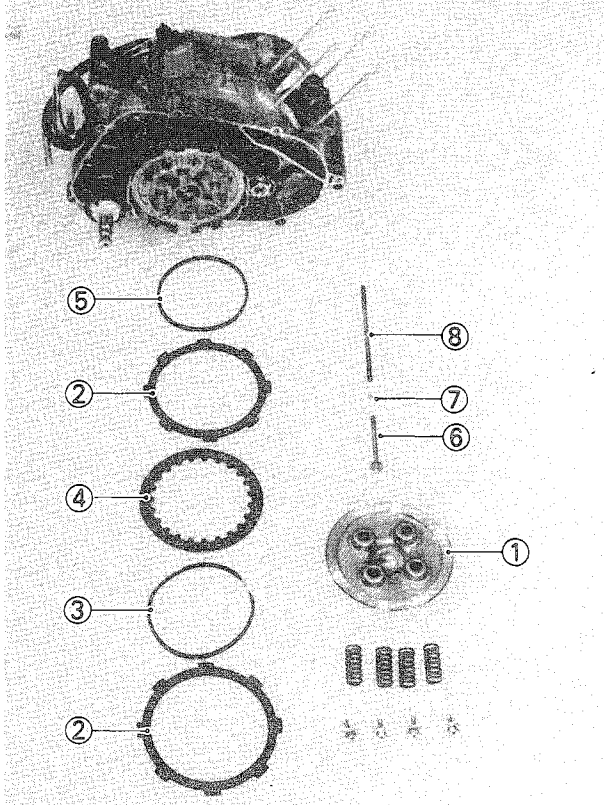
- Lower cowl
- Autolube pump cable and hoses



1. Remove:
 - Kick crank ①
 - Crankcase cover (Right) ②

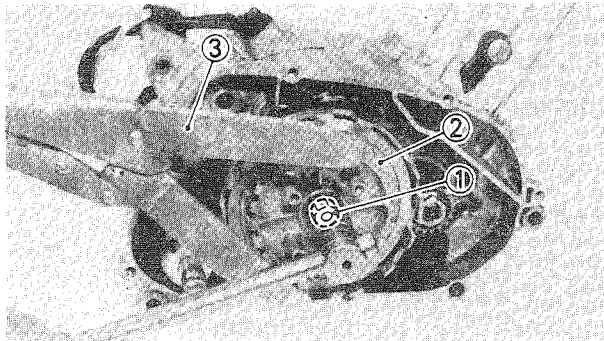


2. Remove:
 - Bolts (Pressure plate) ①
 - Springs (Pressure plate)



3. Remove:

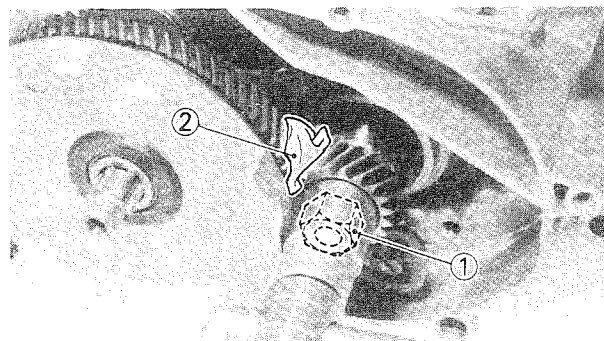
- Pressure plate ①
- Friction plates ②
- Cushion spring ③
- Clutch plate ④
- Clutch damper ⑤
- Push rod #1 ⑥
- Ball ⑦
- Push rod #2 ⑧



4. Remove:

- Nut (Clutch boss) ①
- Conical spring washer
- Clutch boss ②
- Thrust washer

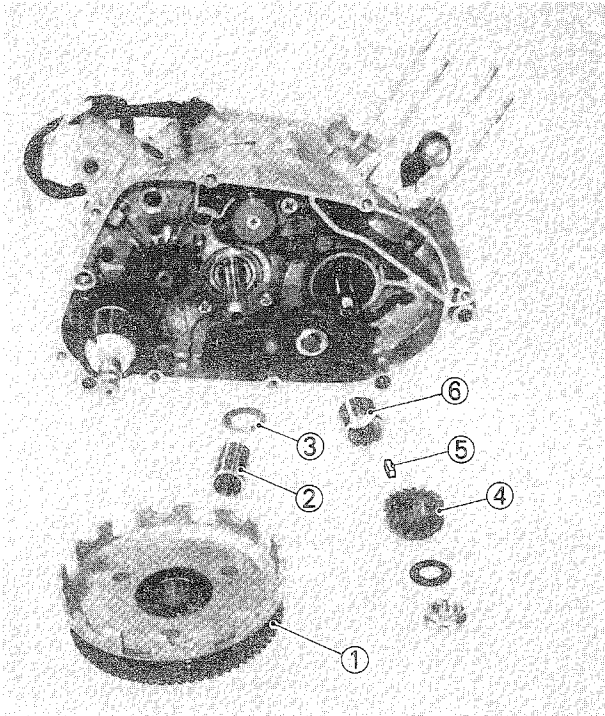
Use the Universal Clutch Holder ③ to hold the clutch boss.



5. Remove:

- Nut (Primary drive gear) ①
- Conical spring washer

NOTE: _____
Place a folded rag ② between the teeth of the primary drive gear and driven gear.



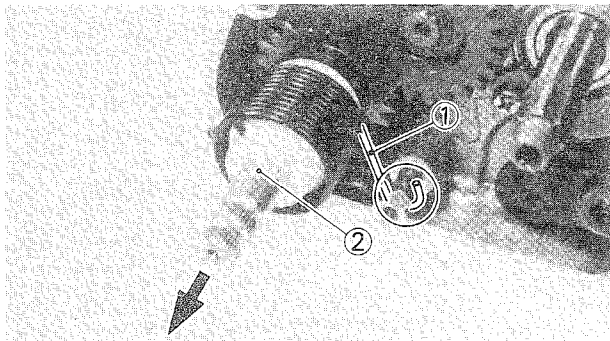
6. Remove:
- Clutch housing ①
 - Spacer ②
 - Thrust washer ③
 - Primary drive gear ④
 - Straight key ⑤
 - Collar ⑥

KICK AXLE

NOTE:

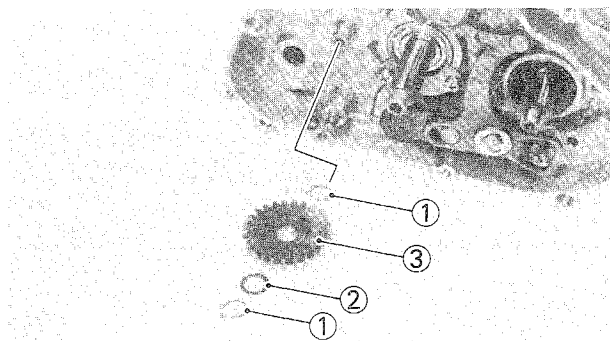
With the engine mounted, the kick axle and kick idle gear can be maintained by removing the following parts.

- Lower cowling
- Autolube pump cable and hoses
- Crankcase cover (Right)
- Clutch



1. Unhook the spring ①.

2. Remove:
- Kick axle assembly ②



3. Remove:
- Circlips ①
 - Washer ②
 - Kick idle gear ③

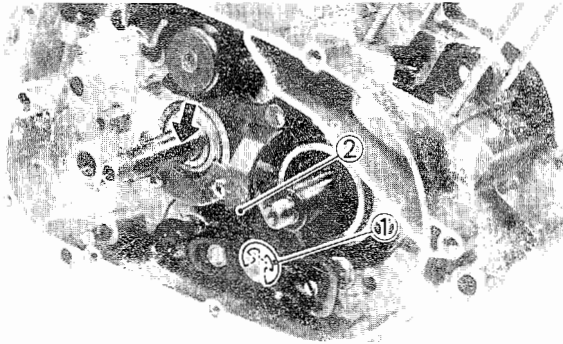


SHIFT SHAFT

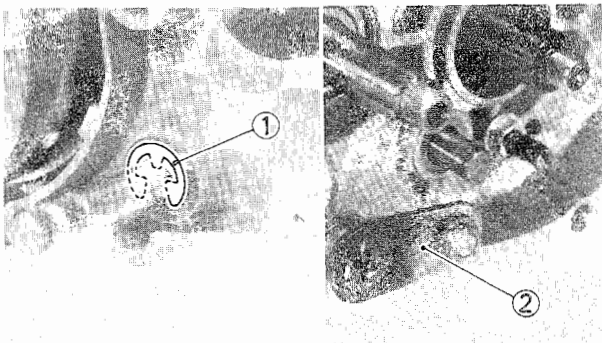
NOTE:

With the engine mounted, the shift shaft can be maintained by removing the following parts.

- Lower cowling
- Autolube pump cable and hoses
- Crankcase cover (Right)
- Clutch



1. Remove:
 - Circlip ①
 - Shift lever ②



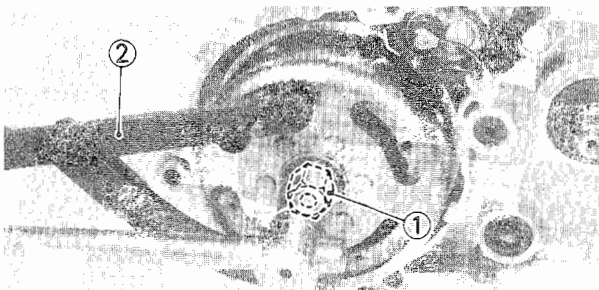
2. Remove:
 - Circlip (Change pedal side) ①
 - Washer
 - Shift shaft ②

CDI MAGNETO

NOTE:

With the engine mounted, the CDI magneto can be maintained by removing the following parts.

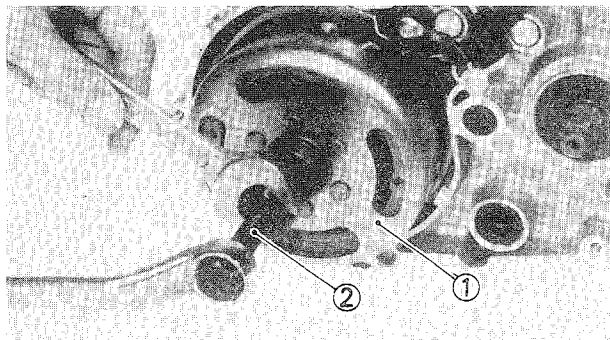
- Lower cowling



1. Remove:
 - Nut (Rotor) ①
 Use the Universal Rotor Holder ② to hold the CDI magneto.



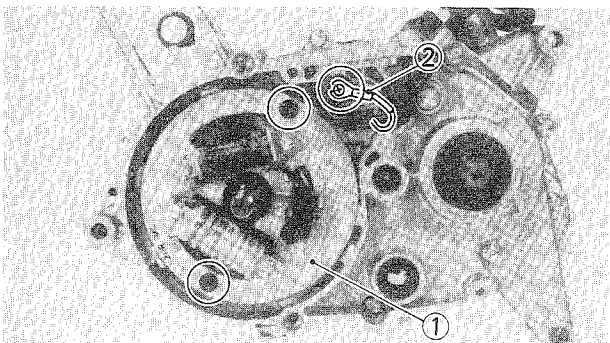
Universal Rotor Holder:
YU-01235



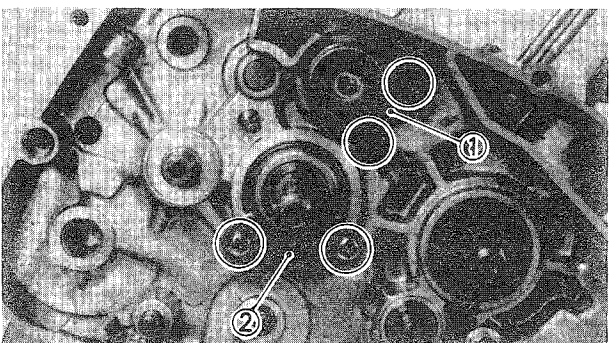
2. Remove:
- Rotor ①
 - Woodruff key
- Use the Flywheel Puller ② to remove the rotor.



Flywheel Puller:
P/N YM-01189

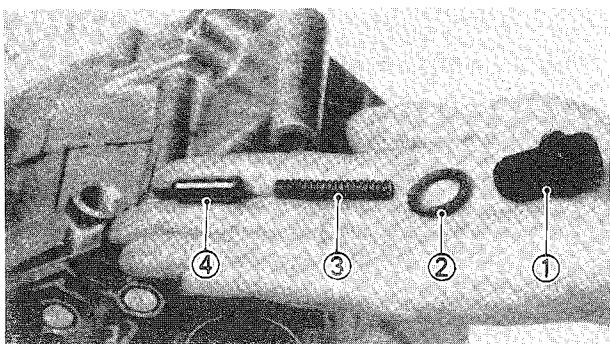


3. Remove:
- Stator ①
 - Neutral switch lead ②

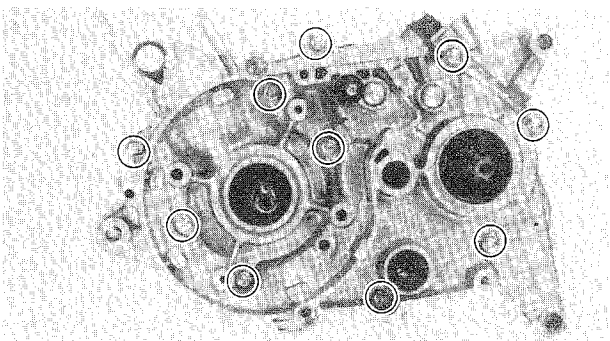


CRANKCASE

1. Remove:
- Shifter holder ①
 - Bearing holder ②



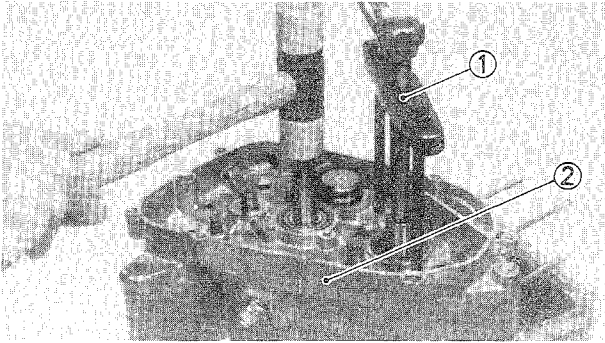
2. Remove:
- Bolt (Shift cam stopper) ①
 - Gasket ②
 - Spring ③
 - Shift cam stopper ④



3. Remove:
- Screws (Crankcase)

NOTE: _____

Working in a crisscross pattern, loosen all screws 1/4 turn each. Remove them after all are loosened.



4. Attach:

- Crankcase Separating Tool (1)

	<p>Crankcase Separating Tool: P/N YU-01135</p>
---	---

5. Remove:

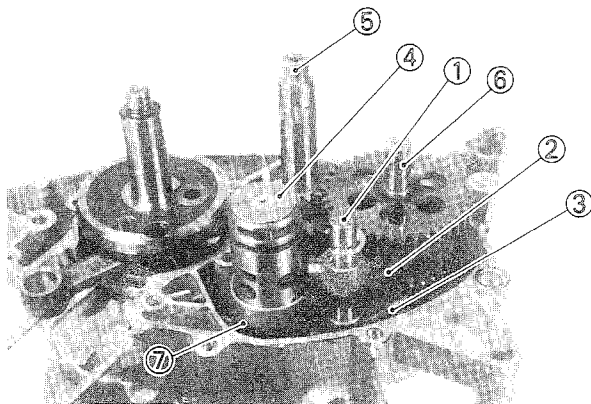
- Crankcase (Right) (2)

NOTE: _____

- Fully tighten the tool holding bolts, but make sure the tool body is parallel with the case. If necessary, one screw may be backed out slightly to level tool body.
- As pressure is applied, alternately tap on the front engine mounting boss, transmission shafts, and shift cam.

CAUTION: _____

Use soft hammer to tap on the case half. Tap only on reinforced portions of case. Do not tap on gasket mating surface. Work slowly and carefully. Make sure the case halves separate evenly. If one end "hangs up," take pressure off the push screw, realign, and start over. If the cases do not separate, check for a remaining case screw or fitting. Do not force.

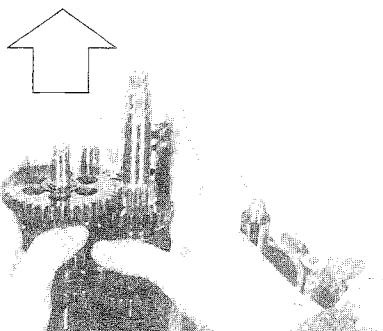


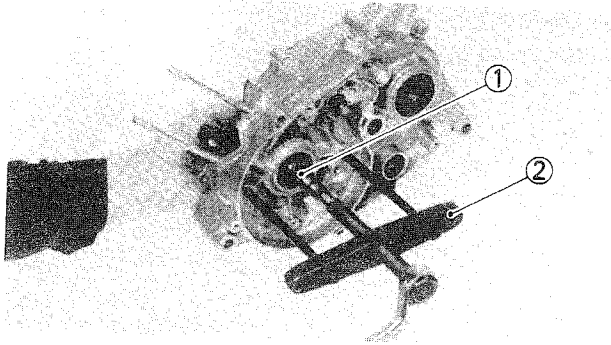
TRANSMISSION, SHIFTER AND CRANKSHAFT

1. Remove:

- Guide bar (Shift fork) (1)
- Shift fork #2 (2)
- Shift fork #3 (3)
- Shift cam (4)
- Main axle (5)
- Drive axle (6)
- Shift fork #1 (7)

Remove the transmission assembly upward.





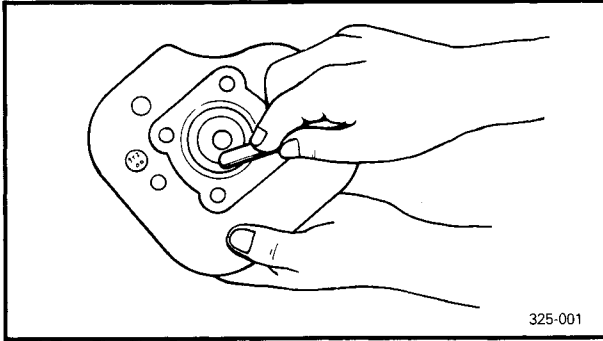
2. Remove:

•Crankshaft ①

Use the Crankcase Separating Tool ②.



Crankcase Separating Tool:
YU-01135



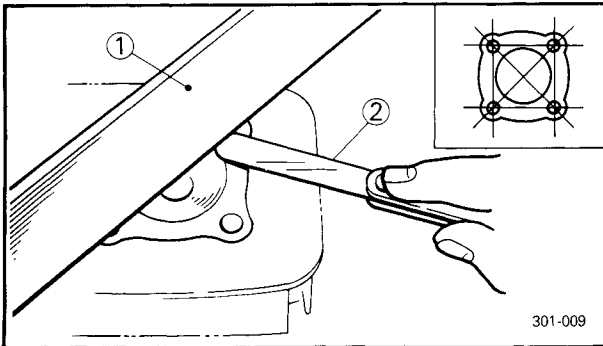
**INSPECTION AND REPAIR
CYLINDER HEAD**

1. Eliminate:

- Carbon deposits
Use a rounded scraper.


NOTE:

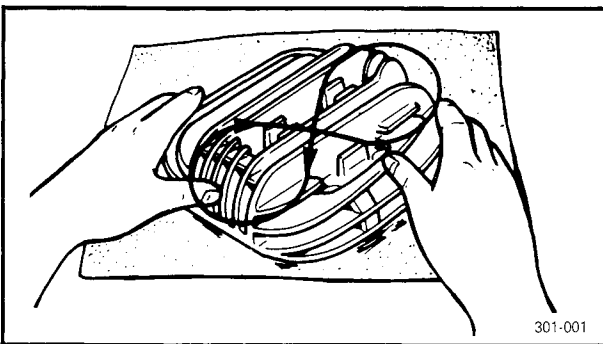
Take care to avoid damaging the spark plug threads. Do not use a sharp instrument. Avoid scratching the aluminum.



2. Measure:

- Cylinder head warpage
Out of specification → Resurface.

	Warpage Limit: 0.02 mm (0.001 in)
---	--

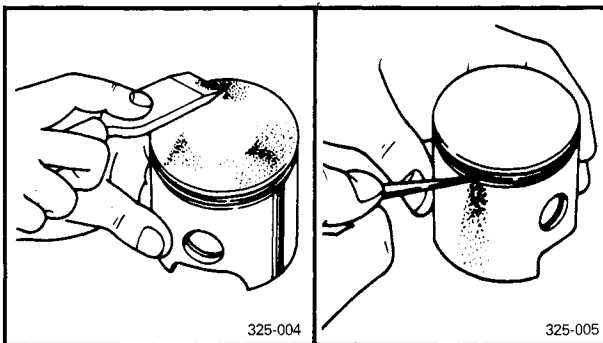


Warpage measurement and resurfacing steps:

- Attach a straight edge ① and a thickness gauge ② on the cylinder head.
- Measure the warpage.
- If the warpage is out of specification, resurface the cylinder head.
- Place a 400 ~ 600 grit wet sandpaper on the surface plate, and resurface the head using a figure-eight sanding pattern.

NOTE:

Rotate the head several times to avoid removing too much material from one side.



CYLINDER AND PISTON

1. Eliminate:

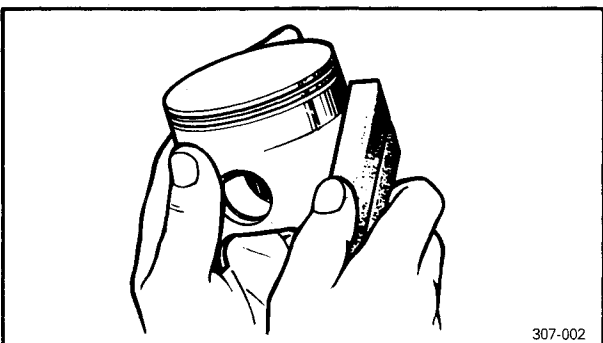
- Carbon deposits
From the piston crown and ring grooves.

2. Eliminate:

- Score marks and lacquer deposits
From the sides of piston.
Use a 600 ~ 800 grit wet sandpaper.

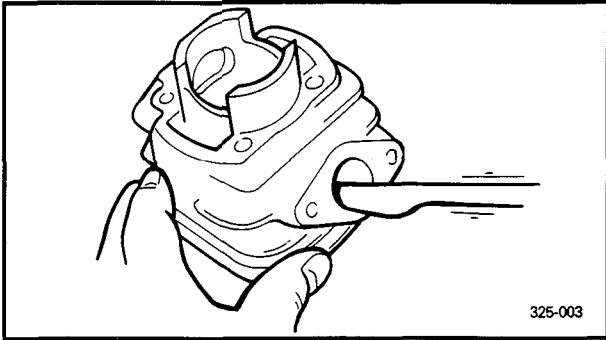
NOTE:

Sand in a crisscross pattern. Do not sand excessively.

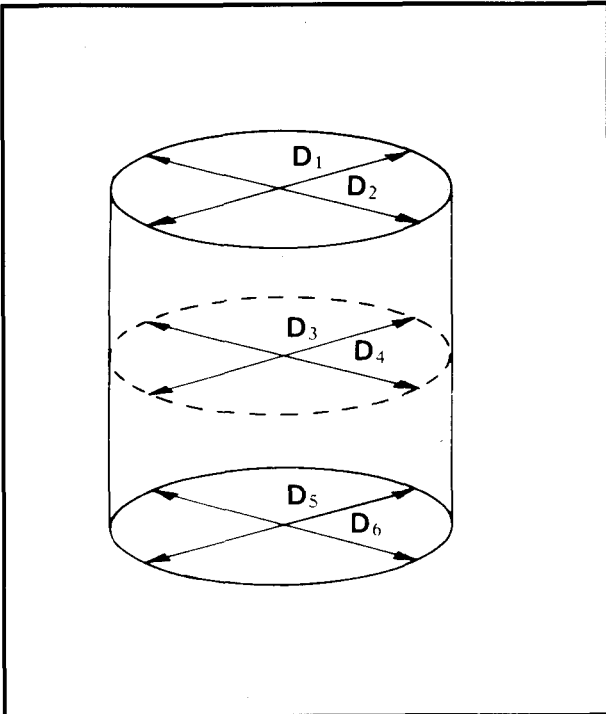


3. Inspect:

- Piston wall
Wear/Scratches/Damage → Replace.



4. Remove:
 - Carbon deposits
 - Use a rounded scraper.



5. Measure:
 - Piston-to-cylinder clearance


Piston-to-cylinder clearance measurement steps:

First Step:

- Measure the cylinder bore "C" with a Cylinder Bore Gauge.

NOTE:

Measure the cylinder bore "C" in parallel to and at right angles to the crankshaft. Then, find the average of the measurements.

	Standard	Wear Limit
Cylinder Bore "C"	40.00 ~ 40.02 mm (1.575 ~ 1.576 in)	40.1 mm (1.579 in)
Taper "T"	—	0.05 mm (0.0019 in)
Out of Round "R"	—	0.01 mm (0.0004 in)

C = Maximum D

T = (Maximum D₁, or D₂) – (Maximum D₅ or D₆)

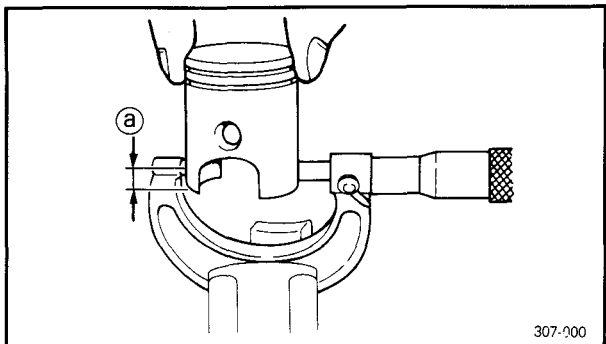
R = (Maximum D₁, D₃ or D₅) – (Minimum D₂ D₄ or D₆)



- If out of specification, rebores or replace cylinder, and replace piston and piston rings as a set.

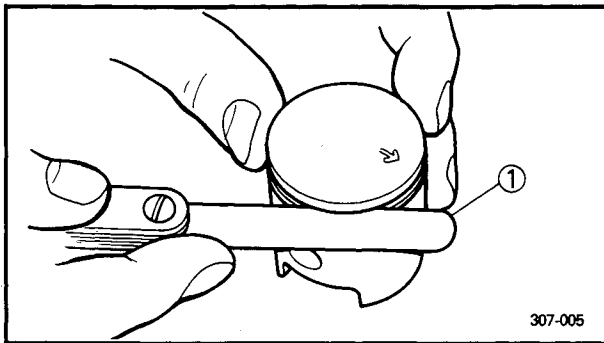
Second Step:

- Measure the piston skirt diameter "P" with a micrometer.

Ⓐ 5 mm (0.20 in) from the piston bottom edge.



		Piston size P
	Standard	39.96 ~ 39.98 mm (1.573 ~ 1.574 in)
	Oversize 1	40.25 mm (1.58 in)
	Oversize 2	40.50 mm (1.59 in)
<ul style="list-style-type: none"> •If out of specification, replace piston and piston rings as a set. <p>Third Step:</p> <ul style="list-style-type: none"> •Calculate the piston-to-cylinder clearance with following formula: 		
<p>Piston-to-cylinder Clearance = Cylinder Bore "C" – Piston Skirt Diameter "P"</p>		
<ul style="list-style-type: none"> •If out of specification, rebore or replace cylinder, and replace piston and piston rings as a set. 		
	<p>Piston-to-cylinder Clearance: 0.030 ~ 0.035 mm (0.0012 ~ 0.0014 in) Limit: 0.1 mm (0.004 in)</p>	




PISTON RINGS

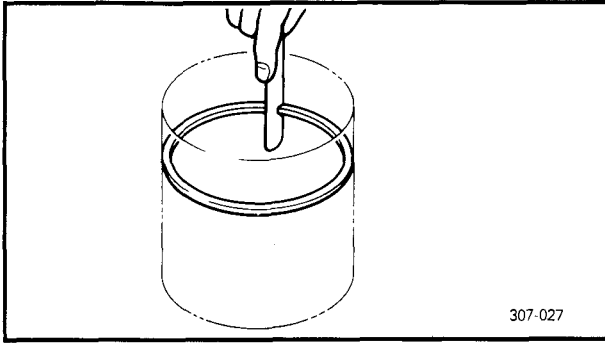
1. Measure:

- Side clearance

Out of specification → Replace piston and/or rings.

Use a Feeler Gauge ①.

	Side Clearance	Top	0.03 ~ 0.05 mm (0.001 ~ 0.002 in)
		2nd	0.03 ~ 0.05 mm (0.001 ~ 0.002 in)



307-027

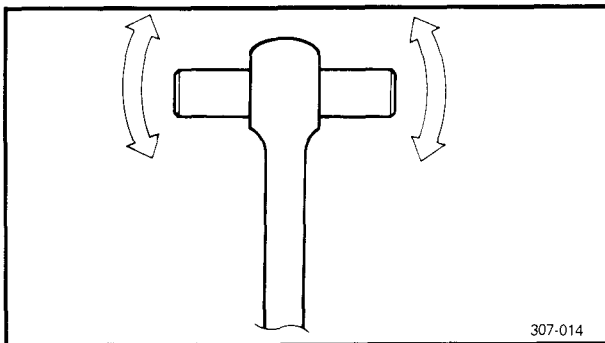
2. Install:
 - Piston ring
Into the cylinder.
Push the ring with the piston crown.
3. Measure:
 - End gap
Out of specification → Replace rings as a set.
Use a Feeler Gauge.

	End Gap	Top	0.15 ~ 0.35 mm (0.006 ~ 0.014 in)
		2nd	0.15 ~ 0.35 mm (0.006 ~ 0.014 in)

Oversize Piston Ring	
Oversize 1	25
Oversize 2	50

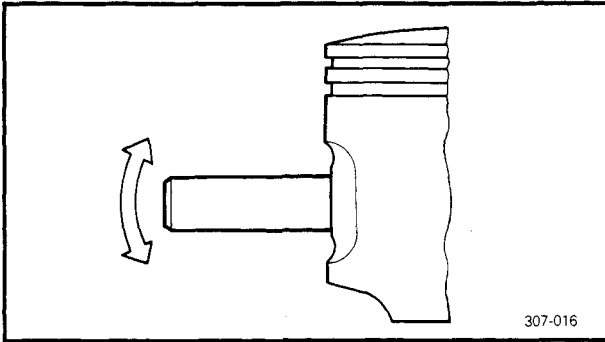
PISTON PIN AND BEARING

1. Lubricate:
 - Piston pin (Lightly)
2. Install:
 - Small end bearing
 - Piston pin
Into the small end of connecting rod.

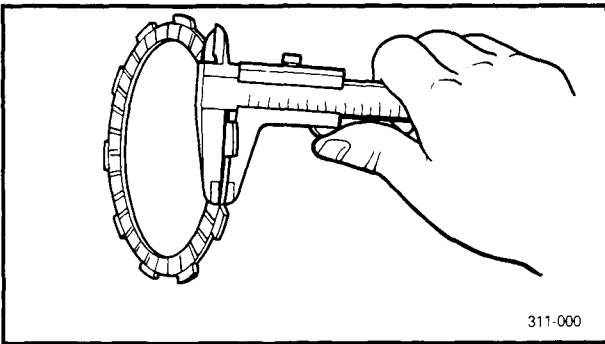


307-014

3. Check:
 - Free play
There should be no noticeable free play.
Free play exists → Inspect the connecting rod for wear/Replace the pin and/or connecting rod as required.
4. Install:
 - Piston pin
Into the piston pin hole.



5. Check:
 - Free play (when the piston pin is in place in the piston)
There should be no noticeable free play. Free play exists → Replace piston pin and/or piston.
6. Inspect:
 - Piston pin and bearing
Signs of heat discoloration → Replace.

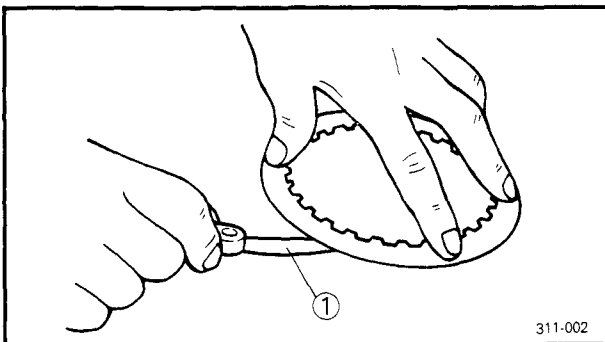


CLUTCH

1. Inspect:
 - Friction plate
Damage/Wear → Replace friction plate as a set.
2. Measure:
 - Friction plate thickness
Out of specification → Replace friction plate as a set.
Measure at all four points.



Wear Limit: 2.7 mm (0.106 in)

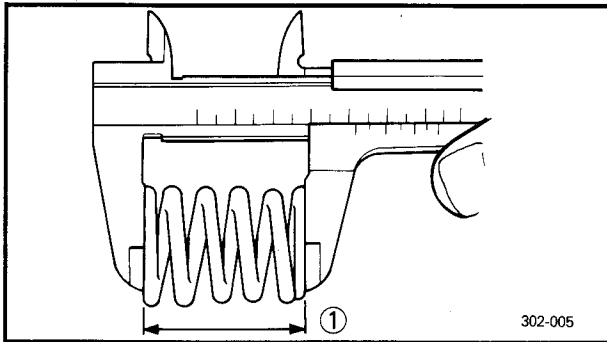


3. Inspect:
 - Clutch plate
Damage → Replace clutch plate as a set.
4. Measure:
 - Clutch plate warpage
Out of specification → Replace clutch plate as a set.
Use a surface plate and Feeler Gauge ①.




Warp Limit: 0.05 mm (0.002 in)

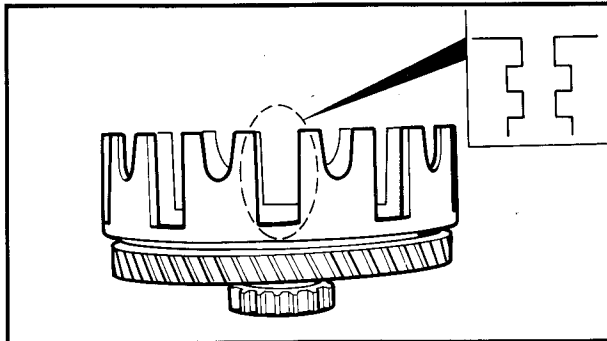
5. Inspect:
 - Clutch damper
Wear/Damage → Replace.



6. Measure:

- Clutch spring free length ①
Out of specification → Replace spring as a set.

 **Clutch Spring Minimum Length:**
26.2 mm (1.03 in)

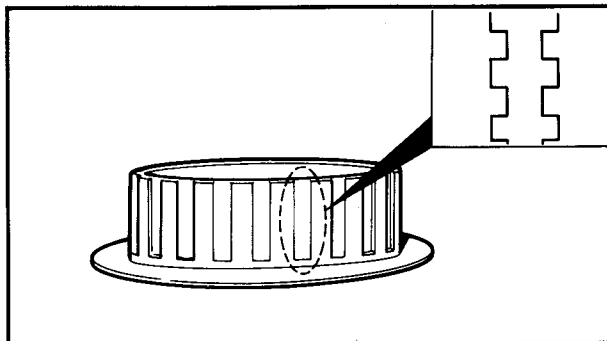


7. Inspect:

- Dogs on the clutch housing
Cracks/Wear/Damage → Deburr or replace.
- Clutch housing bearing
Scoring/Wear/Damage → Replace clutch housing.

NOTE: _____

Scoring on the clutch housing dogs will cause erratic operation.



8. Inspect:

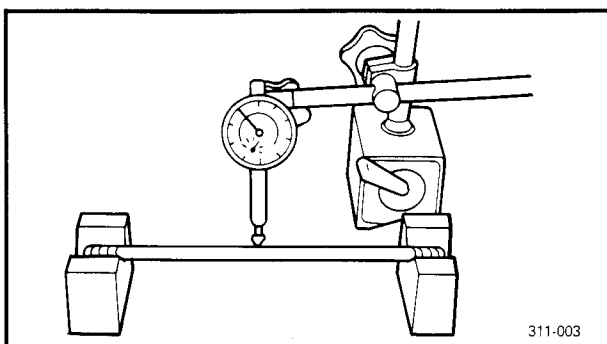
- Clutch boss splines
Scoring/Wear/Damage → Replace clutch boss.

NOTE: _____

Scoring on the clutch boss splines will cause erratic operation.


9. Check:

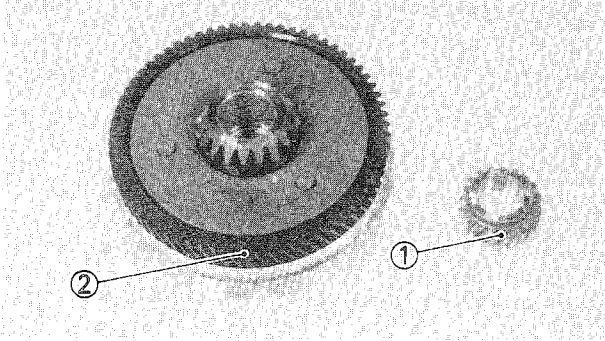
- Circumferential play
Free play exists → Replace.



10. Measure:

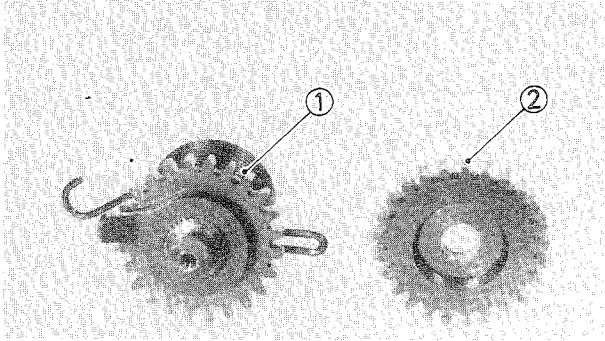
- Push rod runout
Out of specification → Replace.

 **Bending Limit:**
0.2 mm (0.008 in)

**PRIMARY DRIVE**

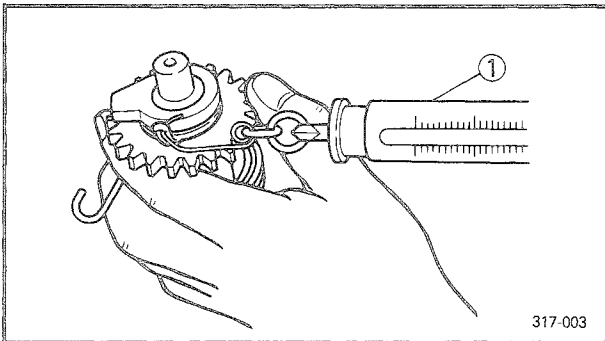
1. Inspect:

- Primary drive gear teeth ①
 - Primary driven gear teeth ②
- Wear/Damage → Replace both gears.
Excessive noises during operation → Replace both gears.

**KICK STARTER**

1. Inspect:

- Kick gear teeth ①
 - Kick idle gear teeth ②
- Damage/wear → Replace both gears.



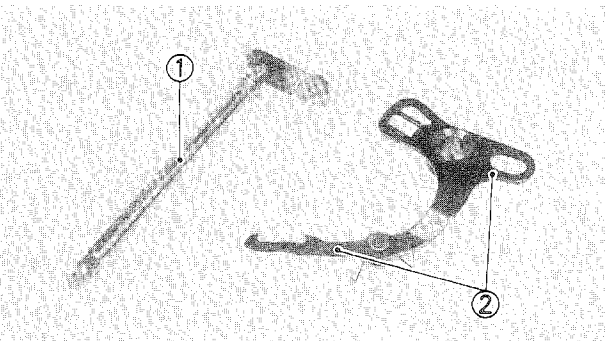
2. Measure:

- Kick clip tension
- Out of specification → Replace.
Use a spring balance ①.

Kick Clip Tension:
0.8 ~ 1.3 kg (1.76 ~ 2.87 lb)

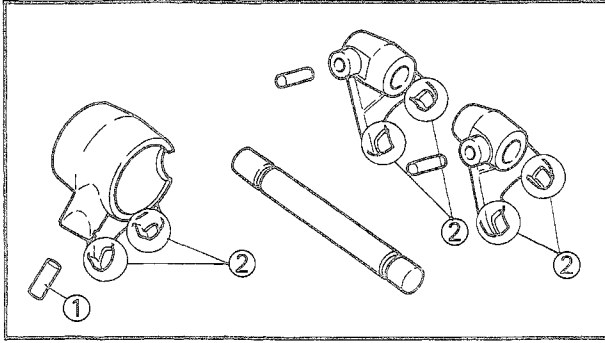
CAUTION:

Do not try to bend the clip.

**SHIFT SHAFT**

1. Inspect:

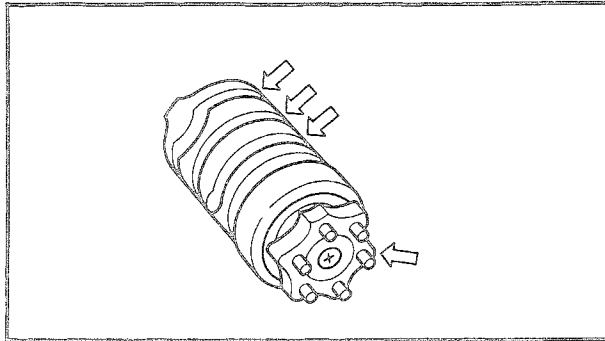
- Shift shaft ①
 - Shift lever ②
- Damage/Bends/Wear → Replace.
Wear/Damage → Replace.



TRANSMISSION AND SHIFTER

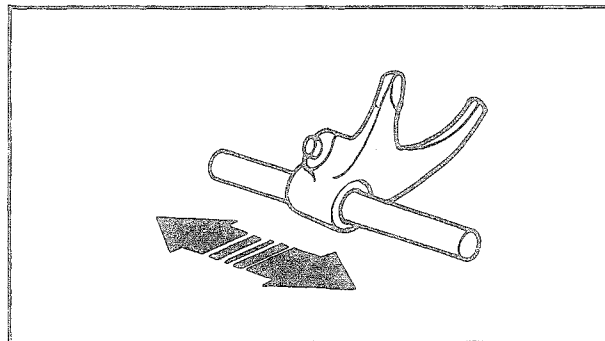
1. Inspect:

- Shift fork cam follower ①
 - Shift fork pawl ②
- Scoring/Bends/Wear → Replace.



2. Inspect:

- Shift cam groove
 - Shift cam segment
- Wear/Damage → Replace.



3. Check:

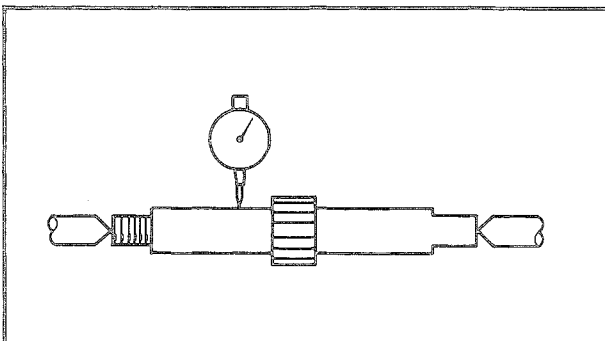
- Shift fork movement
- Unsmooth operation → Replace shift fork and/or guide bar.

4. Inspect:

- Guide bar
- Roll the guide bar on a flat surface.
Bends → Replace.

WARNING

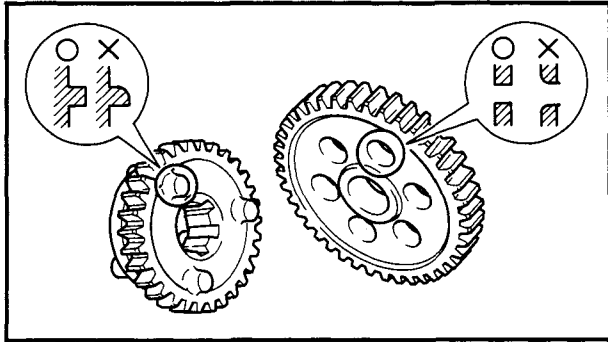
Do not attempt to straighten a bent guide bar.



5. Measure:

- Axle runout
- Use centering device and dial gauge.
Out of specification → Replace bent axle.

	<p>Runout Limit: 0.08 mm (0.003 in)</p>
--	--



6. Inspect:

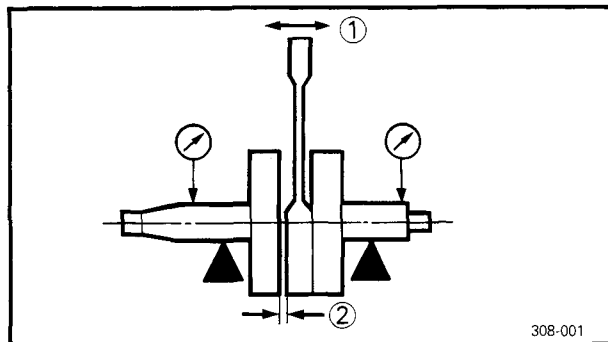
- Gear teeth
Blue discoloration/Pitting/Wear → Replace.
- Mated dogs
Rounded edges/Cracks/Missing portions → Replace.

7. Check:

- Proper gear engagement (Each gear)
(to its counterpart)
Incorrect → Reassemble.
- Gear movement
Roughness → Replace.

8. Inspect:

- Circlips
Damage/Looseness/Bends → Replace.



CRANKSHAFT

1. Measure:

- Runout
Use a centering device and Dial Gauge.
Out of specification → Replace or repair.

	Runout Limit:
	0.03 mm (0.0012 in)

2. Measure:

- Small end free play ①
Use a Dial Gauge.
Out of specification → Replace the defective parts.

	Small End Free Play:
	0.8 ~ 1.0 mm (0.032 ~ 0.039 in)
	< Limit > : < 1.5 mm (0.060 in) >

3. Measure:

- Big end side clearance ②
Use a Feeler Gauge.
Out of specification → Replace the defective parts.

	Big End Side Clearance:
	0.2 ~ 0.7 mm (0.008 ~ 0.028 in)
	< Limit > : < 1.0 mm (0.04 in) >



4. Inspect:

- Crankshaft bearing
Pitting/Damage→Replace.

NOTE: _____

Lubricate the bearings immediately after examining them to prevent rust.

5. Inspect:

- Oil seals
Wear/Damage→Replace.

CRANKCASE

1. Thoroughly wash the case halves in mild solvent.
2. Clean all the gasket mating surfaces and crankcase mating surfaces thoroughly.
3. Inspect:
 - Crankcase
Cracks/Damage→Replace.
 - Oil delivery passages
Clog→Blow out with compressed air.

AUTOLUBE PUMP

Wear or an internal malfunction may cause pump output to vary from the factory setting. This situation is, however, extremely rare. If improper output is suspected, inspect the following:

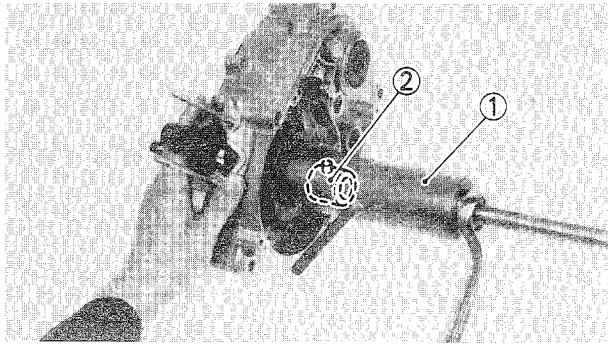
1. Inspect:
 - Delivery line
Obstructions→Blow out.
 - Pump body seal/Crankcase cover seal
Wear/Damage→Replace.
 - Check ball/Spring
Miss/Improper→Repair.
2. Inspect:
 - Allowing air
Air exists→Air bleed.



3. Check:
- Pump output
- Out of specification → Adjust.

Minimum Output/200 Stroke:
0.50 ~ 0.63 cm³
Maximum Output/200 Stroke:
4.64 ~ 5.15 cm³

4. Inspect:
- Oil hose
 - Oil delivery hose
- Crack/Damage/Clog → Replace.



ENGINE ASSEMBLY AND ADJUSTMENT

CRANKSHAFT, SHIFTER AND TRANSMISSION

1. Attach:
 - Crankshaft Installing Tool ①
 - Adapter ②



Crankshaft Installing Tool:

YU-90050

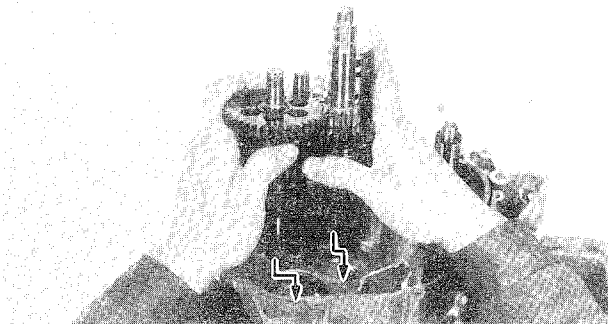
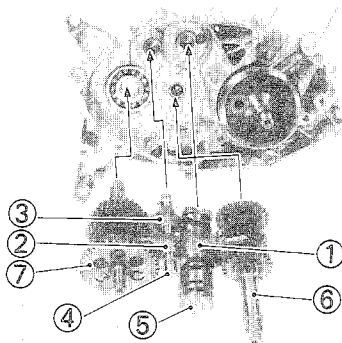
Adapter:

YU-90063

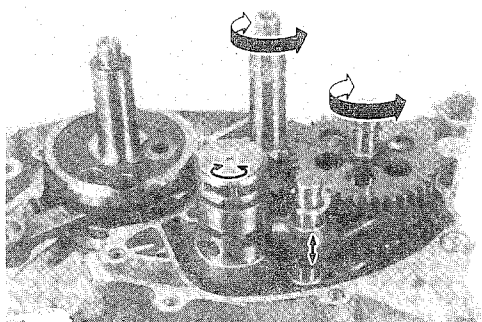
- 2 Install:
 - Crankshaft
To Crankcase (Left)

CAUTION:

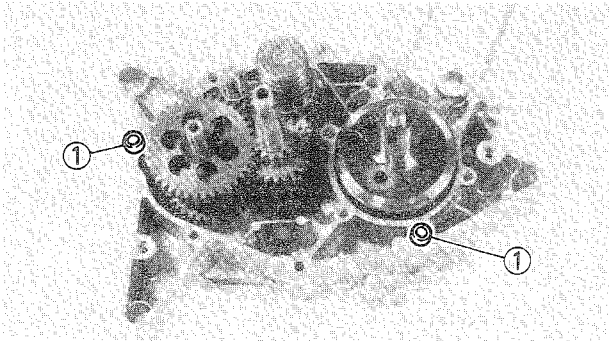
Hold the connecting rod at top dead center with one hand while turning the nut of the Installing Tool with the other. Operate the Installing Tool until the crankshaft bottoms against the bearing.



3. Install:
 - Shift fork #1 ①
 - Shift fork #2 ②
 - Shift fork #3 ③
 - Guide bar (Shift fork) ④
 - Shift cam ⑤
 - Main axle assembly ⑥
 - Drive axle assembly ⑦



4. Check:
 - Shifter operation
 - Transmission operation
 - Unsmooth operation → Repair.



CRANKCASE

1. Apply:

- Yamabond No.4

To the mating surfaces of both crankcase halves.

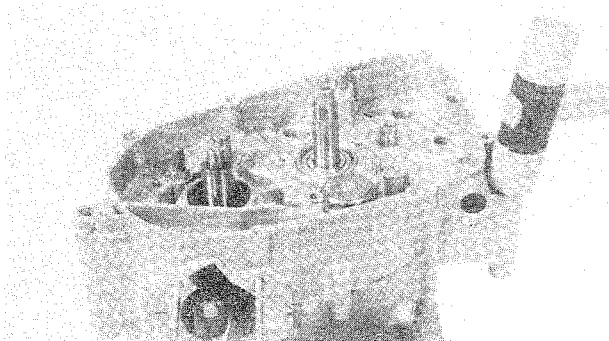


Yamabond No.4:
ACC-11001-30-00

2. Install:

- O-rings
- Dowel pins (1)

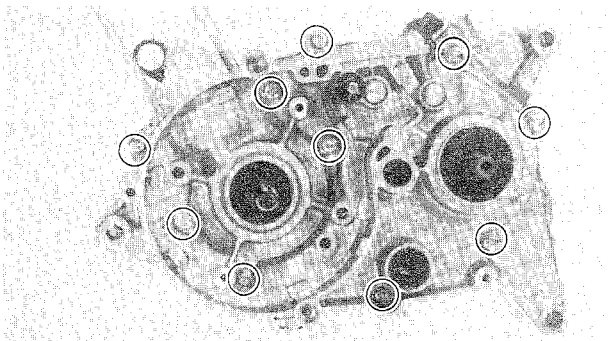
Onto the crankcase (Lower)



- ### 3. Fit the right crankcase onto the left case. Tap lightly on the case with a soft hammer.

CAUTION:

Before installing and torquing the crankcase holding screws, be sure to check whether the transmission is functioning properly by manually rotating the shift cam either way.



4. Tighten:

- Screw (Crankcase)

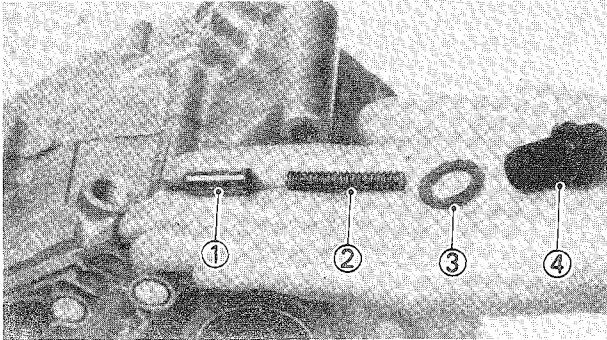
NOTE:

Tighten the crankcase tightening screws in stages, using a crisscross pattern.

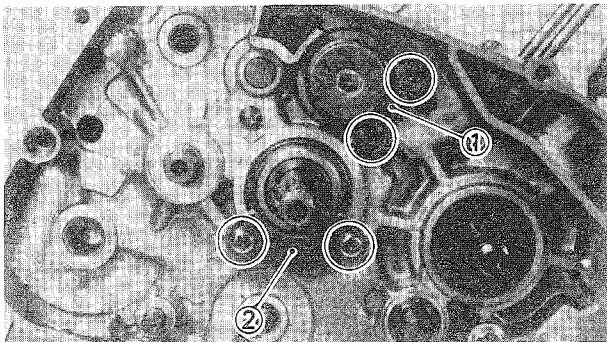


Screws (Crankcase):
8 Nm (0.8 m·kg, 5.8 ft·lb)

5. Remove:
 - Bond
Forced out on-the cylinder mating surface.
6. Apply:
 - 2-stroke oil
To the crank pin, bearing and oil delivery hole.
7. Check:
 - Crankshaft and transmission operation
Unsmooth operation → Repair.



8. Install:
 - Shift cam stopper ①
 - Spring ②
 - Gasket (New) ③
 - Bolt (Shift cam stopper) ④



9. Install:
 - Shifter holder ①
 - Bearing holder ②

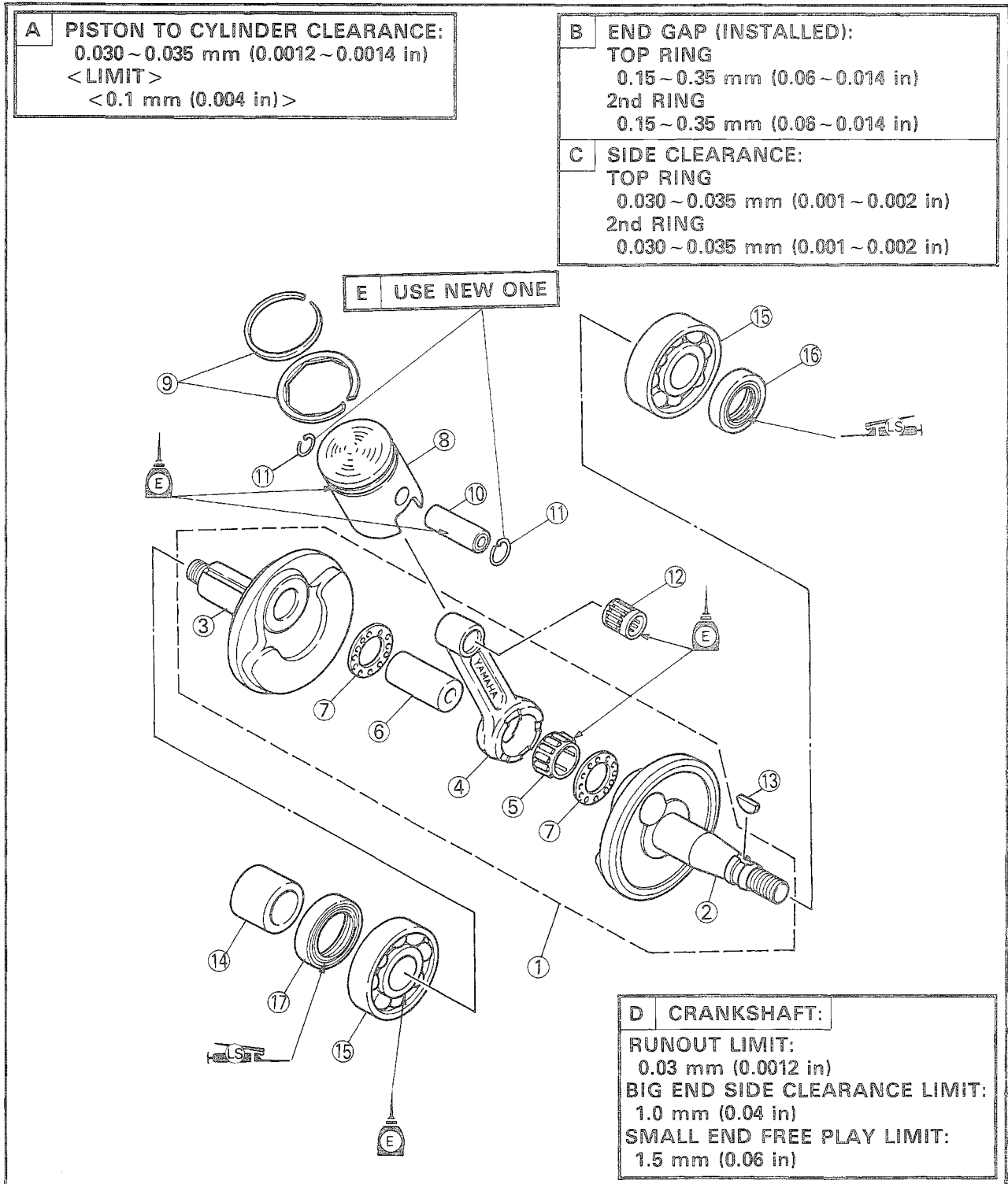
Screws (Bearing Holder):
 8 Nm (0.8 m·kg, 5.8 ft·lb)
 LOCTITE®

Screw (Shifter Holder):
 8 Nm (0.8 m·kg, 5.8 ft·lb)
 LOCTITE®



CRANKSHAFT, PISTON AND PISTON RING

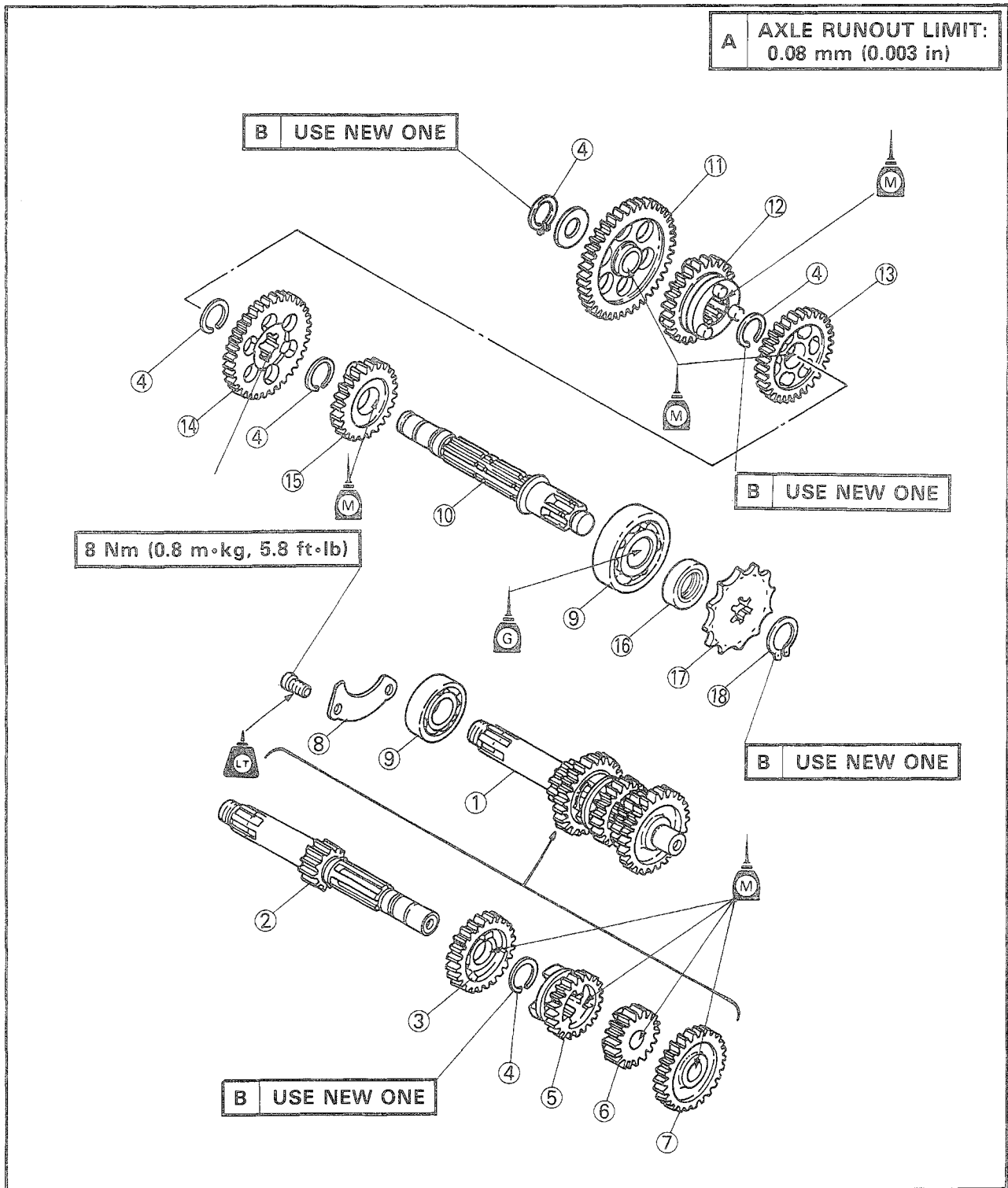
- | | | |
|-----------------------|---------------------|--------------------|
| ① Crankshaft assembly | ⑧ Piston | ⑮ Bearing |
| ② Crank (Left) | ⑨ Piston ring set | ⑯ Oil seal (Left) |
| ③ Crank (Right) | ⑩ Piston pin | ⑰ Oil seal (Right) |
| ④ Connecting rod | ⑪ Piston pin clip | |
| ⑤ Big end bearing | ⑫ Small end bearing | |
| ⑥ Crank pin | ⑬ Woodruff key | |
| ⑦ Bearing | ⑭ Collar | |





TRANSMISSION

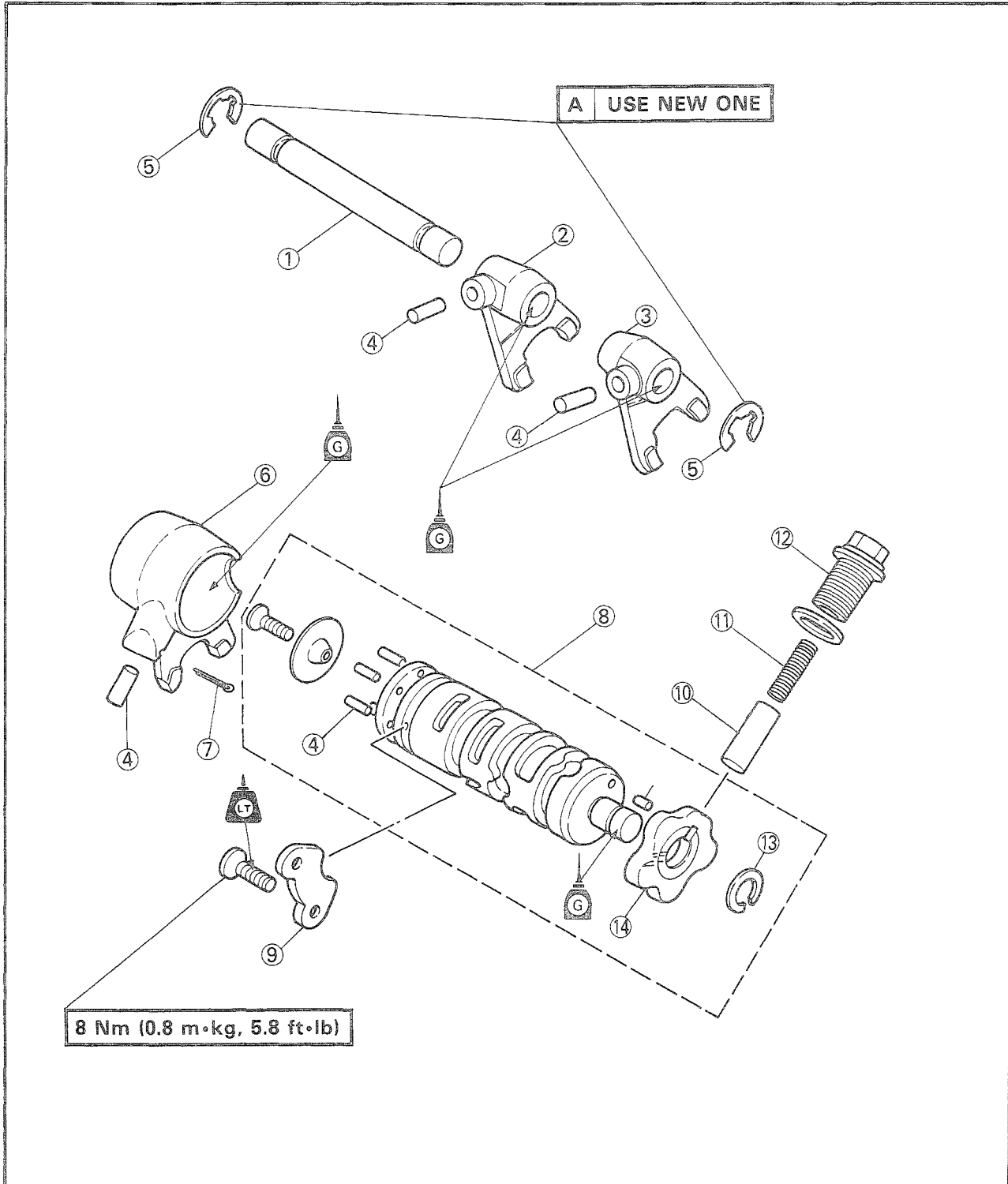
- | | |
|----------------------|------------------|
| ① Main axle assembly | ⑩ Drive axle |
| ② Main axle | ⑪ 1st wheel gear |
| ③ 4th pinion gear | ⑫ 4th wheel gear |
| ④ Circlip | ⑬ 3rd wheel gear |
| ⑤ 3rd pinion gear | ⑭ 2nd wheel gear |
| ⑥ 2nd pinion gear | ⑮ 5th wheel gear |
| ⑦ 5th pinion gear | ⑯ Oil seal |
| ⑧ Bearing holder | ⑰ Drive sprocket |
| ⑨ Bearing | ⑱ Circlip |

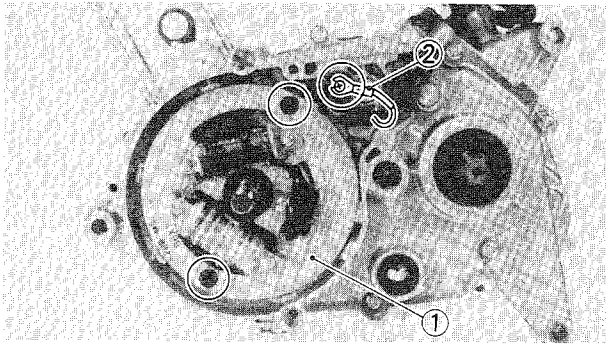




SHIFTER

- ① Guide bar (Shift fork)
- ② Shift fork #2
- ③ Shift fork #3
- ④ Pin
- ⑤ Circlip
- ⑥ Shift fork #1
- ⑦ Cotter pin
- ⑧ Shift cam assembly
- ⑨ Shift cam plate
- ⑩ Shift cam stopper
- ⑪ Spring
- ⑫ Bolt
- ⑬ Circlip
- ⑭ Segment



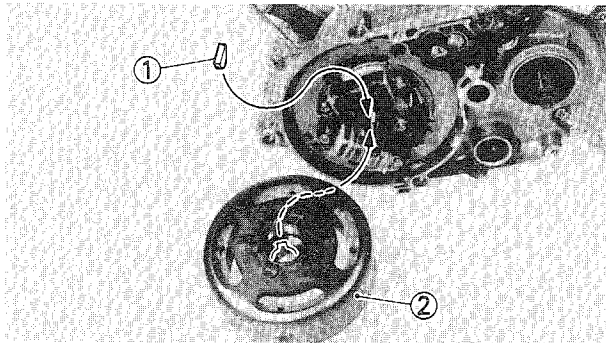


CDI MAGNETO

1. Install:
 - Stator ①
 - Neutral switch lead ②



Bolts (Stator):
8 Nm (0.8 m•kg, 5.8 ft•lb)

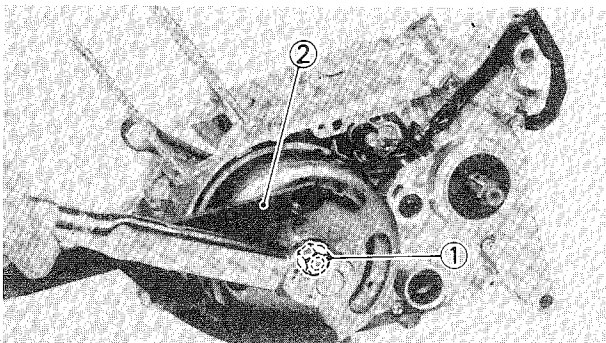


2. Install:
 - Woodruff key ①
 - Rotor ②

NOTE:

When installing the rotor, make sure the woodruff key is properly seated in the keyway of the crankshaft.

Clean the tapered portion of the crankshaft end with a cloth.



3. Tighten:
 - Nut ① (Rotor)
 - Use the Universal Rotor Holder ② to hold the rotor.



Universal Rotor Holder:
YU-01235

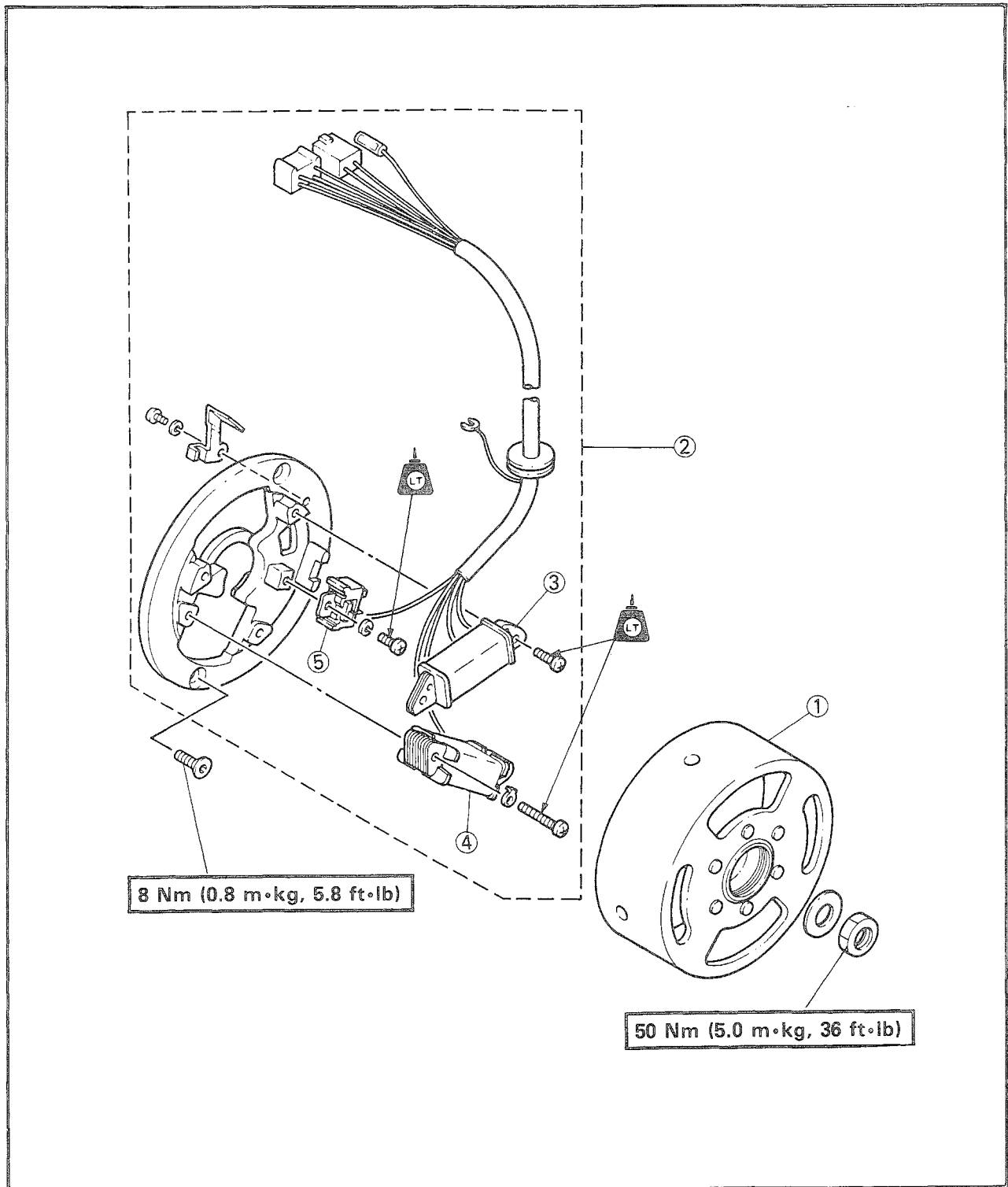


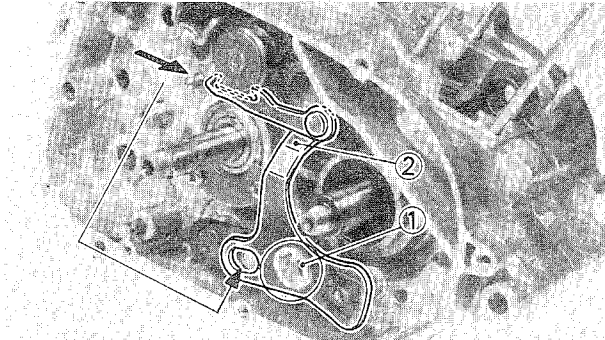
Nut (Rotor):
50 Nm (5.0 m•kg, 36 ft•lb)



CDI MAGNETO

- ① Rotor
- ② Stator assembly
- ③ Charge coil
- ④ Lighting coil
- ⑤ Pickup coil



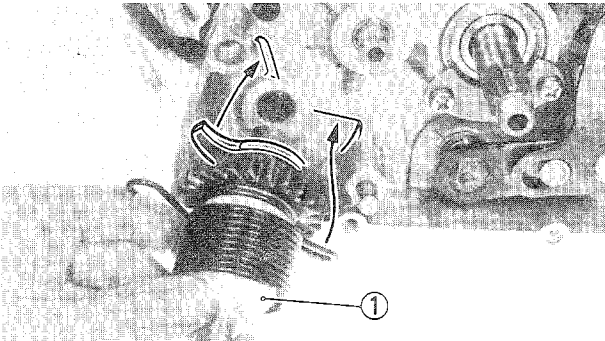


SHIFT SHAFT

1. Install:
 - Shift shaft
 - Circlip (New) ①
2. Install:
 - Shift lever ②

NOTE:

Be sure the shift lever ② correctly engages the shift cam and shift shaft.

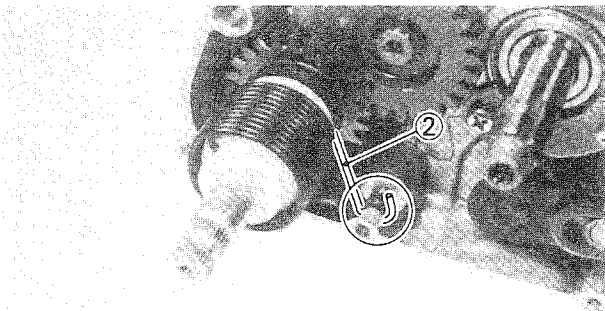


KICK AXLE

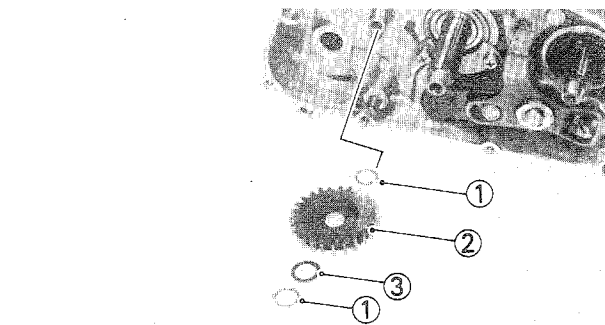
1. Install:
 - Kick axle assembly ①

NOTE:

- Make sure that the kick stopper is stopped at the projection of the crankcase.
- Make sure that the kick clip is engaged with the crankcase hole.



2. Hook the kick spring ②.

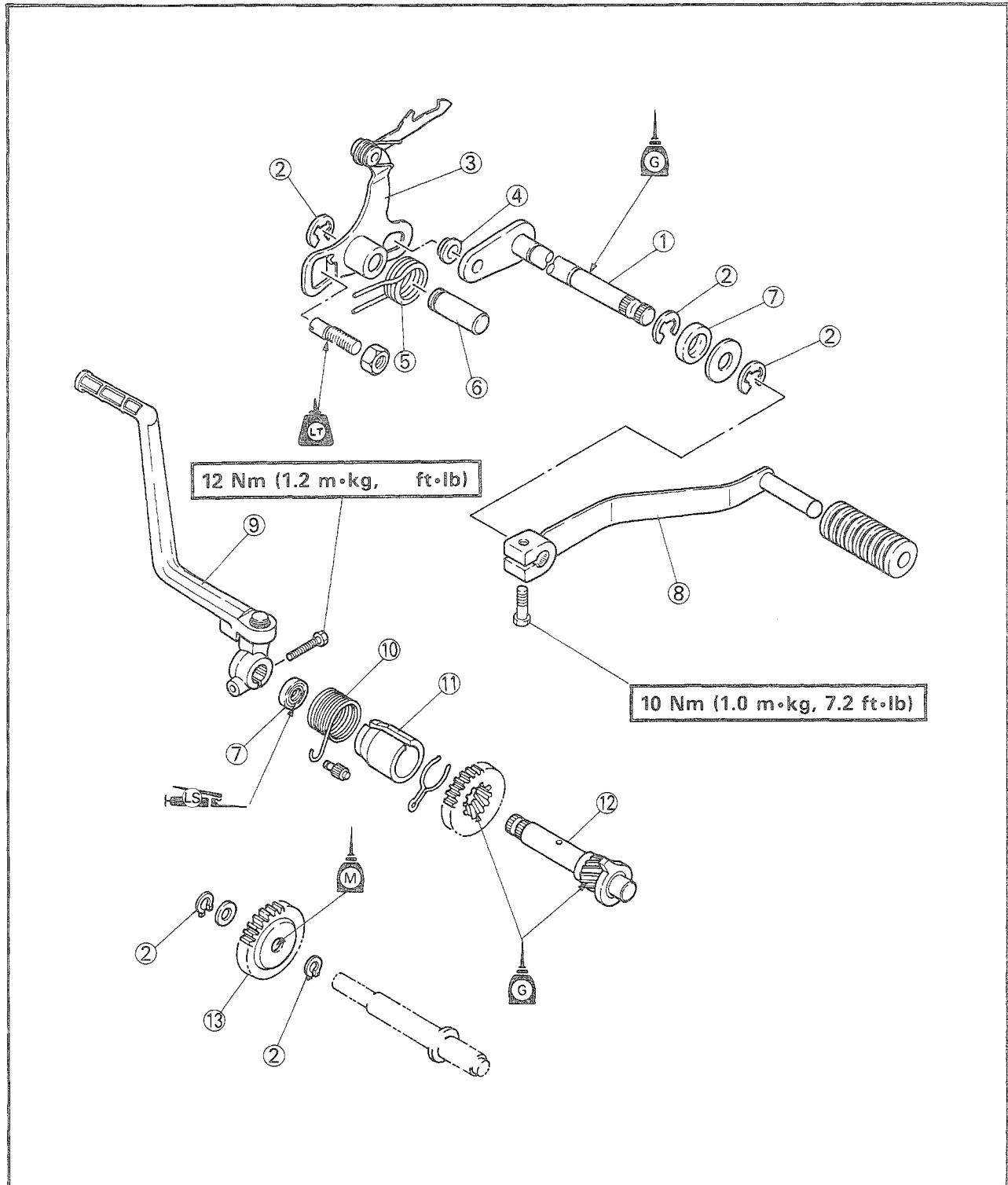


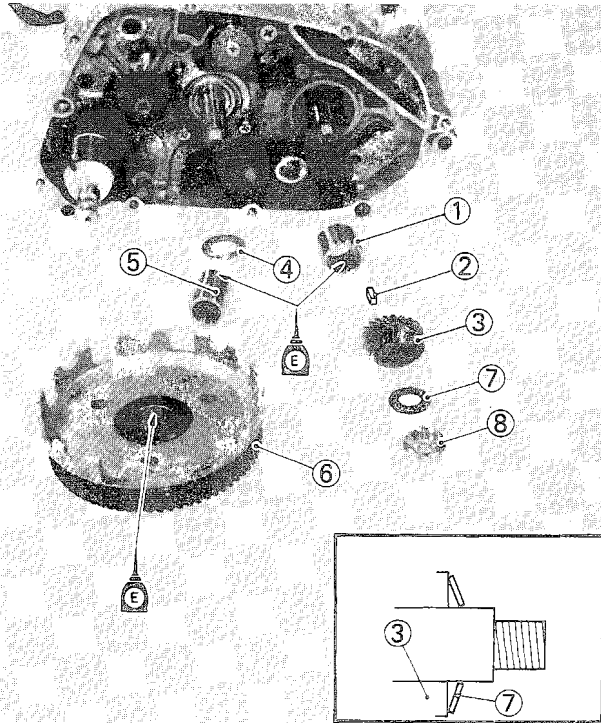
3. Install:
 - Circlips ①
 - Kick idle gear ②
 - Washers ③



SHIFT SHAFT AND KICK AXLE

- | | |
|-----------------|------------------|
| ① Shift shaft | ⑧ Change pedal |
| ② Circlip | ⑨ Kick crank |
| ③ Shift lever | ⑩ Return spring |
| ④ Rotor | ⑪ Collar |
| ⑤ Return spring | ⑫ Kick axle |
| ⑥ Pin | ⑬ Kick idle gear |
| ⑦ Oil seal | |





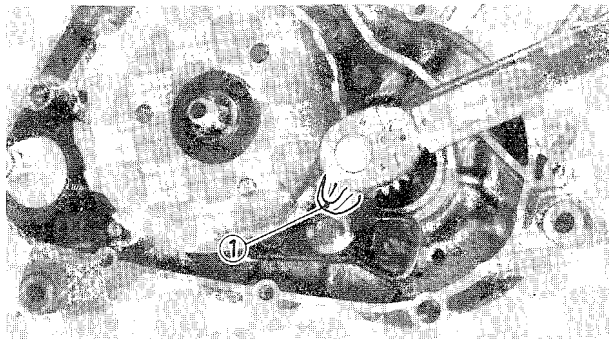
CLUTCH AND PRIMARY DRIVE GEAR

1. Install:

- Collar ①
- Straight key ②
- Primary drive gear ③
- Thrust washer ④
- Collar ⑤
- Clutch housing ⑥
- Conical spring washer ⑦
- Nut ⑧

NOTE:

- Be sure to install the conical spring washer ⑦ as shown.
- Apply the transmission oil onto the collars.



2. Tighten:

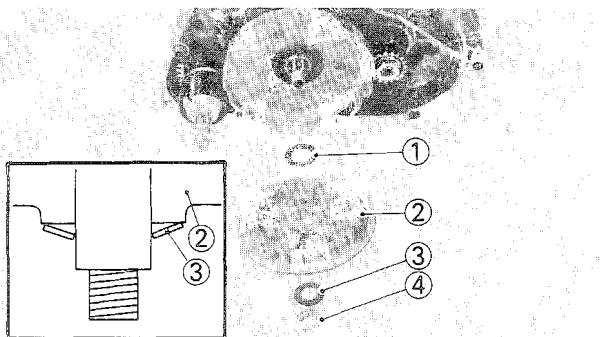
- Nut (Primary drive gear)

NOTE:

Place a folded rag ① between the teeth of the primary drive gear and driven gear.



Nut (Primary Drive Gear):
60 Nm (6.0 m·kg, 43 ft·lb)

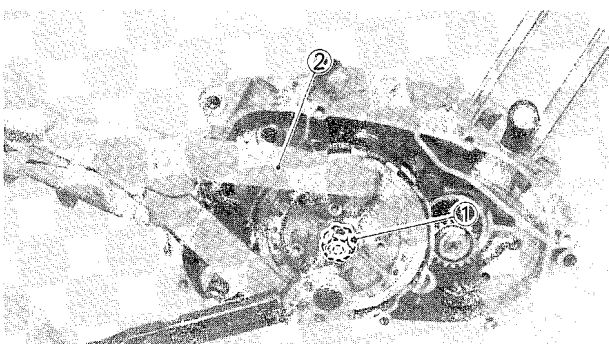


3. Install:

- Thrust washer ①
- Clutch boss ②
- Conical spring washer ③
- Nut (Clutch boss) ④

NOTE:

Be sure to install the conical spring washer ③ as shown.



4. Tighten:

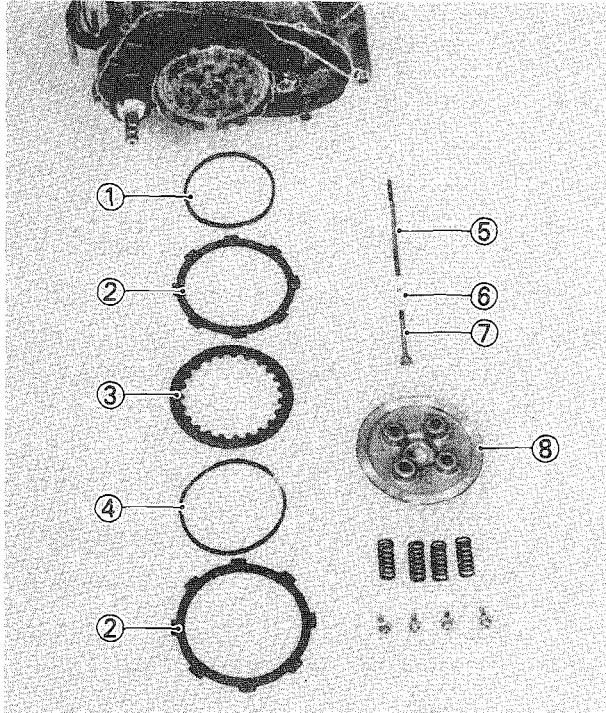
- Nut (Clutch boss) ①
- Use the Universal Clutch Holder ② to hold clutch boss.



Universal Clutch Holder:
YM-91042

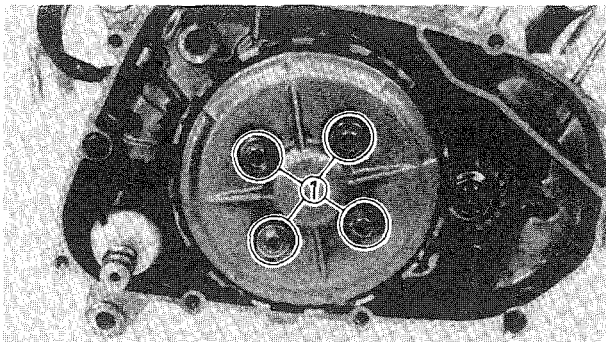


Nut (Clutch Boss):
45 Nm (4.5 m·kg, 33 ft·lb)



5. Install:
- Clutch damper ①
 - Friction plate ②
 - Clutch plate ③
 - Cushion spring ④
 - Push rod #2 ⑤
 - Ball ⑥
 - Push rod #1 ⑦
 - Pressure plate ⑧

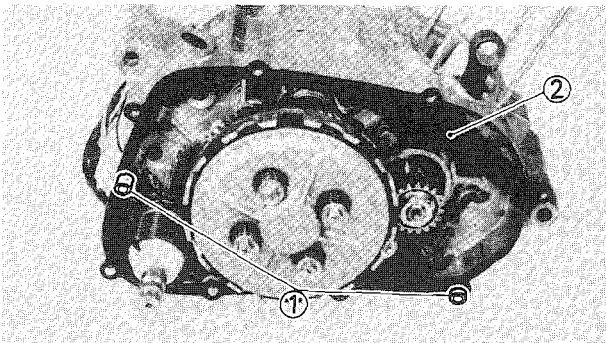
NOTE: Install the clutch damper and friction plate alternately on the clutch boss, starting with a clutch damper, and install the clutch plate between first friction plate and second clutch damper.



6. Install:
- Springs (Pressure plate)
 - Bolts (Pressure plate ①)

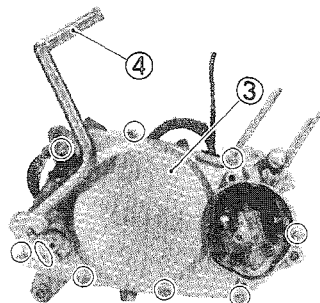
NOTE: Tighten the bolts in stages, using a crisscross pattern.

Bolts (Pressure Plate):
6 Nm (0.6 m·kg, 4.3 ft·lb)



7. Install:
- Dowel pins ①
 - Gasket (Crankcase cover-New) ②
 - Crankcase cover ③
 - Kick crank ④

NOTE: Tighten the screws in stages, using a crisscross pattern.

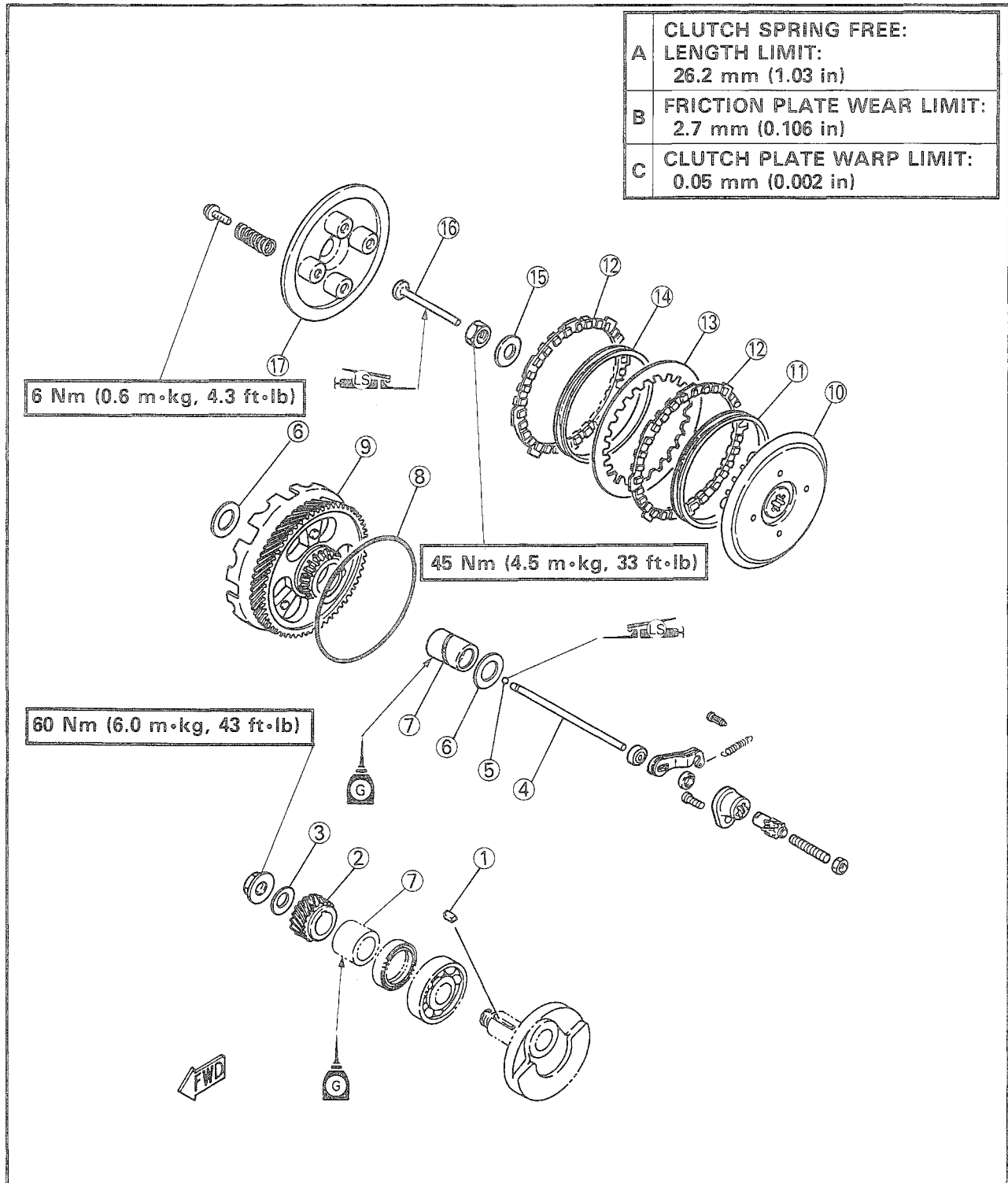


Screws (Crankcase Cover-Right):
10 Nm (1.0 m·kg, 7.2 ft·lb)
Bolt (Kick Crank):
20 Nm (2.0 m·kg, 14 ft·lb)



CLUTCH AND PRIMARY DRIVE GEAR

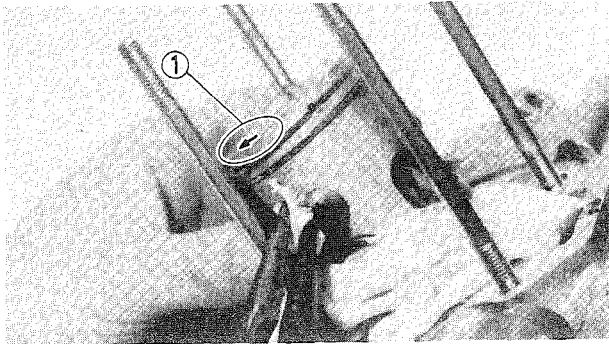
- ① Straight key
- ② Primary drive gear
- ③ Conical spring washer
- ④ Push rod #2
- ⑤ Ball
- ⑥ Thrust washer
- ⑦ Collar
- ⑧ O-ring
- ⑨ Clutch housing
- ⑩ Clutch boss
- ⑪ Clutch damper
- ⑫ Friction plate
- ⑬ Clutch plate
- ⑭ Cushion spring
- ⑮ Conical spring washer
- ⑯ Push rod #1
- ⑰ Pressure plate





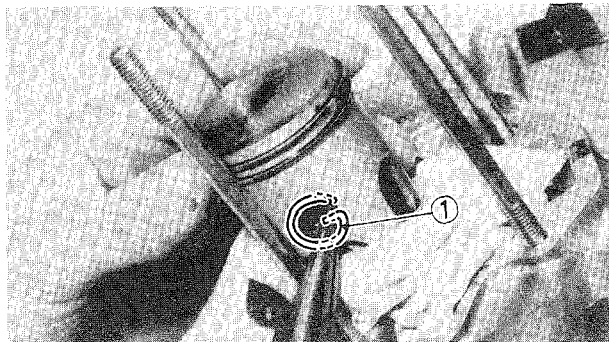
CYLINDER HEAD, CYLINDER AND PISTON

1. Apply:
 - Engine oilTo the small end bearing and big end bearing.



2. Install:
 - Small end bearing
 - Piston
 - Piston pin

NOTE: _____
The arrow ① on the piston must point to the front of the engine.



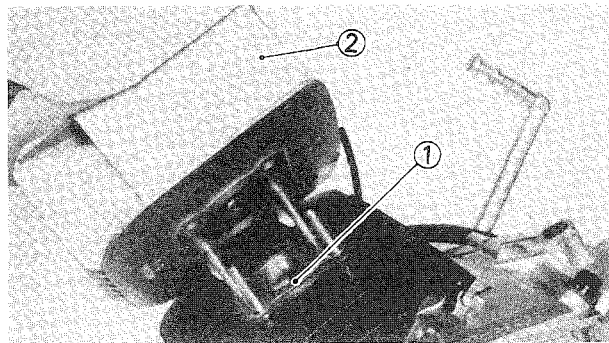
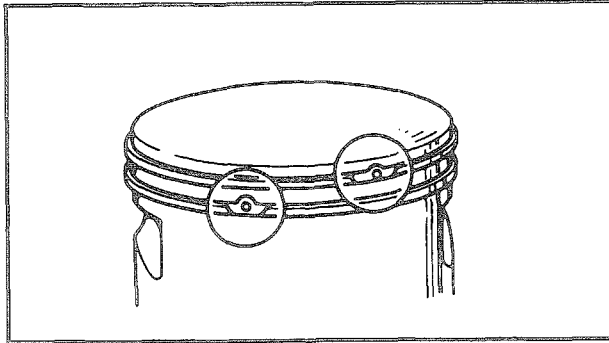
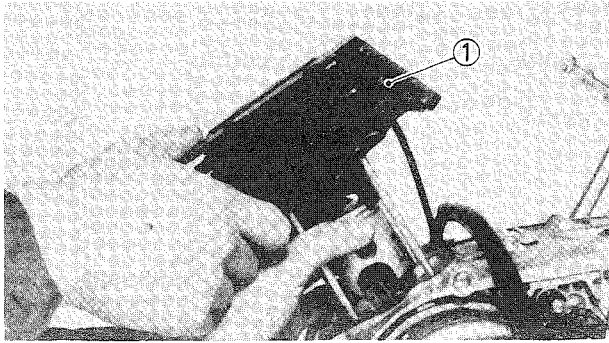
3. Install:
 - Piston pin clip ①

NOTE: _____
Before installing the piston pin clip, cover the crankcase with a clean towel or rag so you will not accidentally drop the pin clip and material into the crankcase.

WARNING: _____

Always use a new piston pin clip.

4. Install:
 - Gaskets (Cylinder-New)




5. Install:
- Cylinder ①

NOTE: _____
 Install the cylinder with one hand while compressing the piston rings with the other hand.


CAUTION: _____
 Before installing the cylinder, make sure ring's ends are properly fitted around the ring locating pins in the grooves.

6. Install:
- Gasket (Cylinder head-New) ①
 - Cylinder head ②
 - Reed valve
 - Gasket
 - Intake manifold
 - Oil delivery hose

NOTE: _____
 Tighten the nuts in stages, using a crisscross pattern.

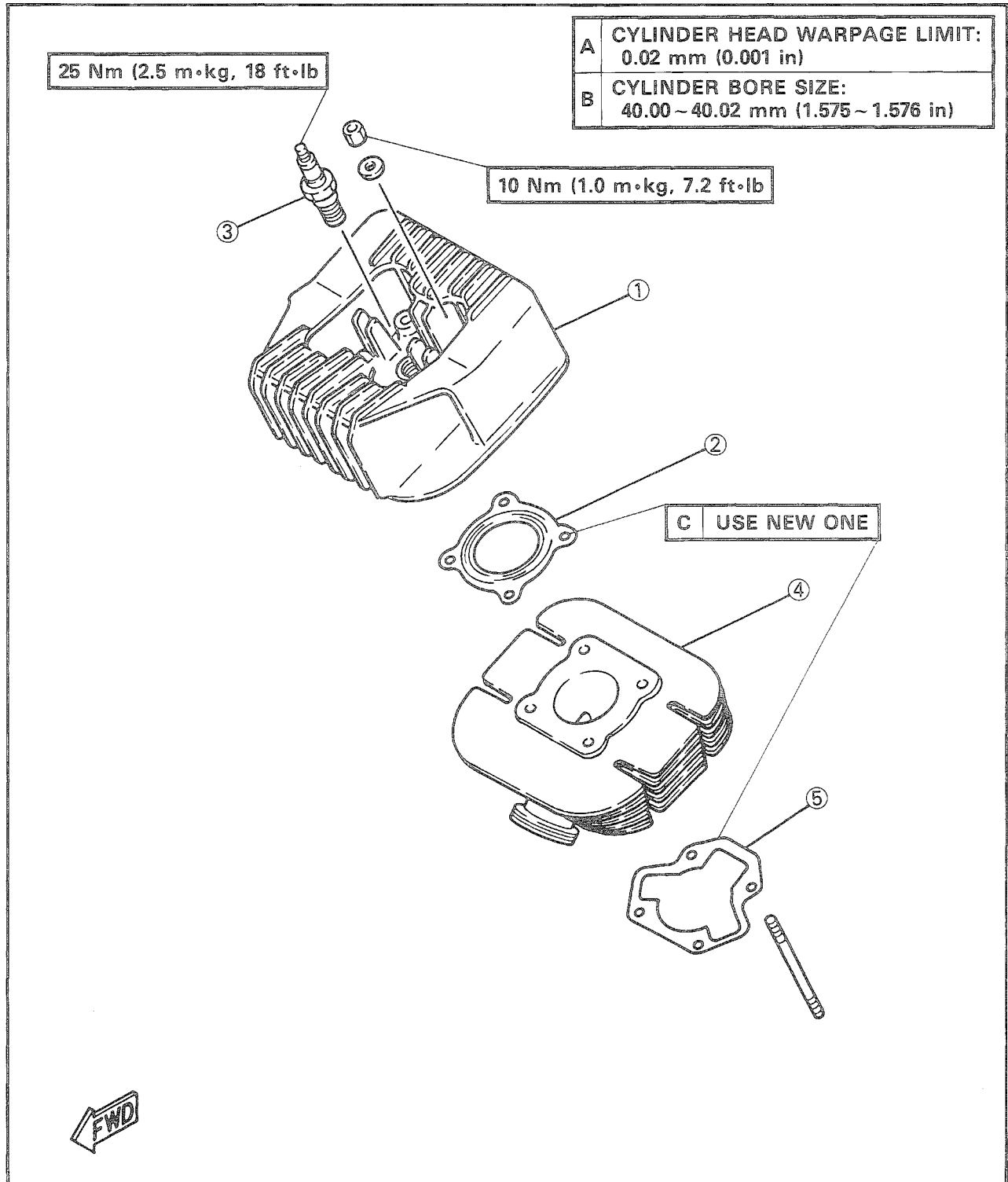
	<p>Nuts (Cylinder Head): 10 Nm (1.0 m·kg, 7.2 ft·lb)</p>
---	--

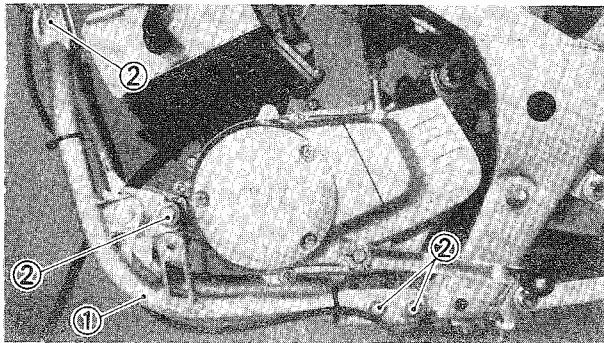
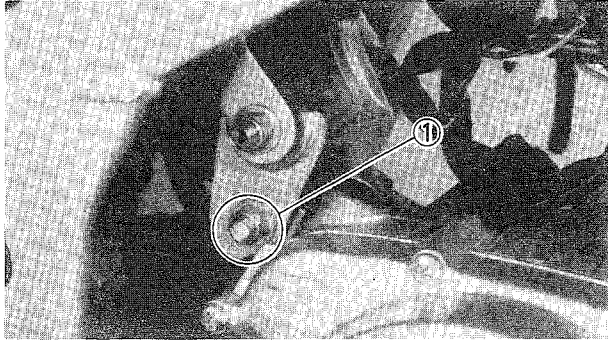
7. Install:
- Spark plug

	<p>Spark Plug: 25 Nm (2.5 m·kg, 18 ft·lb)</p>
---	---

CYLINDER AND CYLINDER HEAD

- ① Cylinder head
- ② Gasket (Cylinder head)
- ③ Spark plug
- ④ Cylinder
- ⑤ Gasket (Cylinder)






REMounting ENGINE

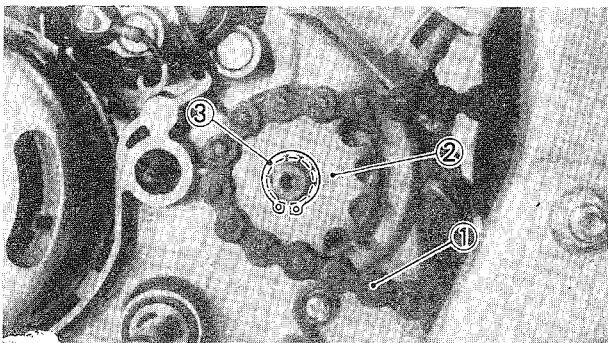
Reverse the engine removal procedure.
Note the following points.

1. Install:
 - Engine assembly
 - Bolt (Rear — Upper) ①

2. Install:
 - Down tube ①
 - Bolts (Down tube) ②

3. Tighten:
 - Nuts
 - Bolts

	Bolts (Down Tube — Front): 25 Nm (2.5 m·kg, 18 ft·lb) Bolts (Down Tube — Rear): 25 Nm (2.5 m·kg, 18 ft·lb) Nut (Engine — Front): 40 Nm (4.0 m·kg, 29 ft·lb) Nut (Engine — Rear): 25 Nm (2.5 m·kg, 18 ft·lb)
---	--



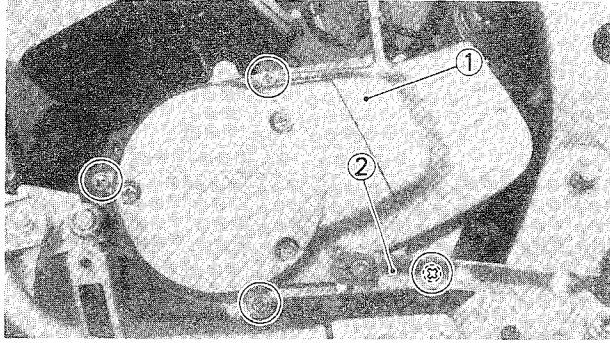
4. Install:
 - Drive chain ①
 - Drive sprocket ②
 - Circlip (New) ③

NOTE:

Before installing the drive sprocket, loosen the rear wheel axle and push forward the rear wheel.

WARNING:

Use a new circlip.

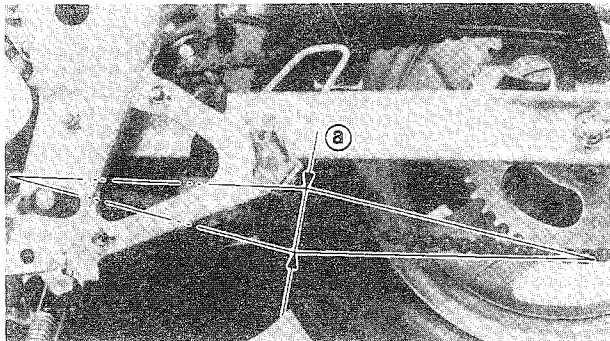


5. Install:
 - Gasket (Crankcase cover — New)
 - Crankcase cover ①
 - Change pedal ②

NOTE: _____
Tighten the screws in stages, using a crisscross pattern.

6. Adjust:
 - Autolube pump cable:
Refer to "CHAPTER 3—AUTOLUBE PUMP CABLE" section.
7. Install:
 - Muffler

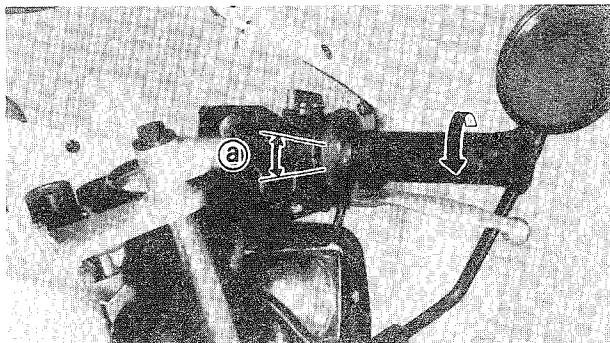
	Ring Nut (Muffler):
	6 Nm (0.6 m·kg, 4.2 ft·lb)
	Bolt (Muffler):
	18 Nm (1.8 m·kg, 13 ft·lb)



8. Adjust:
 - Drive chain slack ①

	Drive Chain Slack:
	25 ~ 30 mm (1.0 ~ 1.2 in)

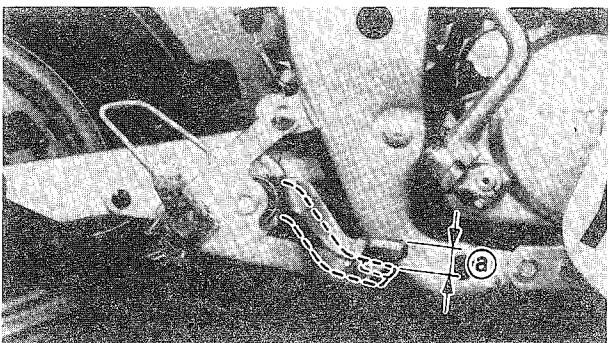
Refer to "CHAPTER 3—DRIVE CHAIN SLACK ADJUSTMENT" section.



9. Adjust:
 - Throttle cable free play ①

	Throttle Cable Free Play:
	3 ~ 7 mm (0.12 ~ 0.28 in)

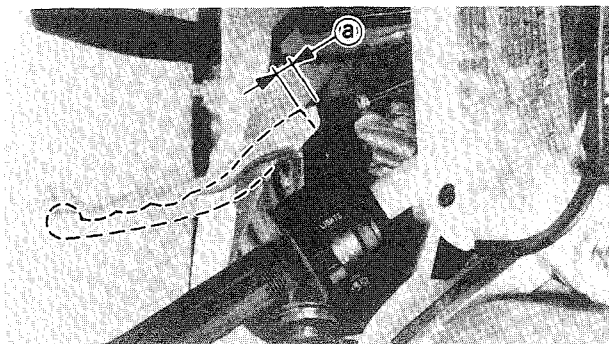
Refer to "CHAPTER 3—THROTTLE CABLE ADJUSTMENT" section.



10. Adjust:
 - Brake pedal free play ①

	Brake Pedal Free Play:
	20 ~ 30 mm (0.8 ~ 1.2 in)

Refer to "CHAPTER 3—REAR BRAKE ADJUSTMENT" section.



11. Adjust:
- Clutch cable free play



Clutch Cable Free Play:
2 ~ 3 mm (0.08 ~ 0.12 in)

Refer to "CHAPTER 3—CLUTCH ADJUSTMENT" section.

12. Fill:
- Transmission oil



Total Amount:
0.65 L (0.57 Imp qt, 0.69 US qt)

Refer to "CHAPTER 3—TRANSMISSION OIL REPLACEMENT" section.

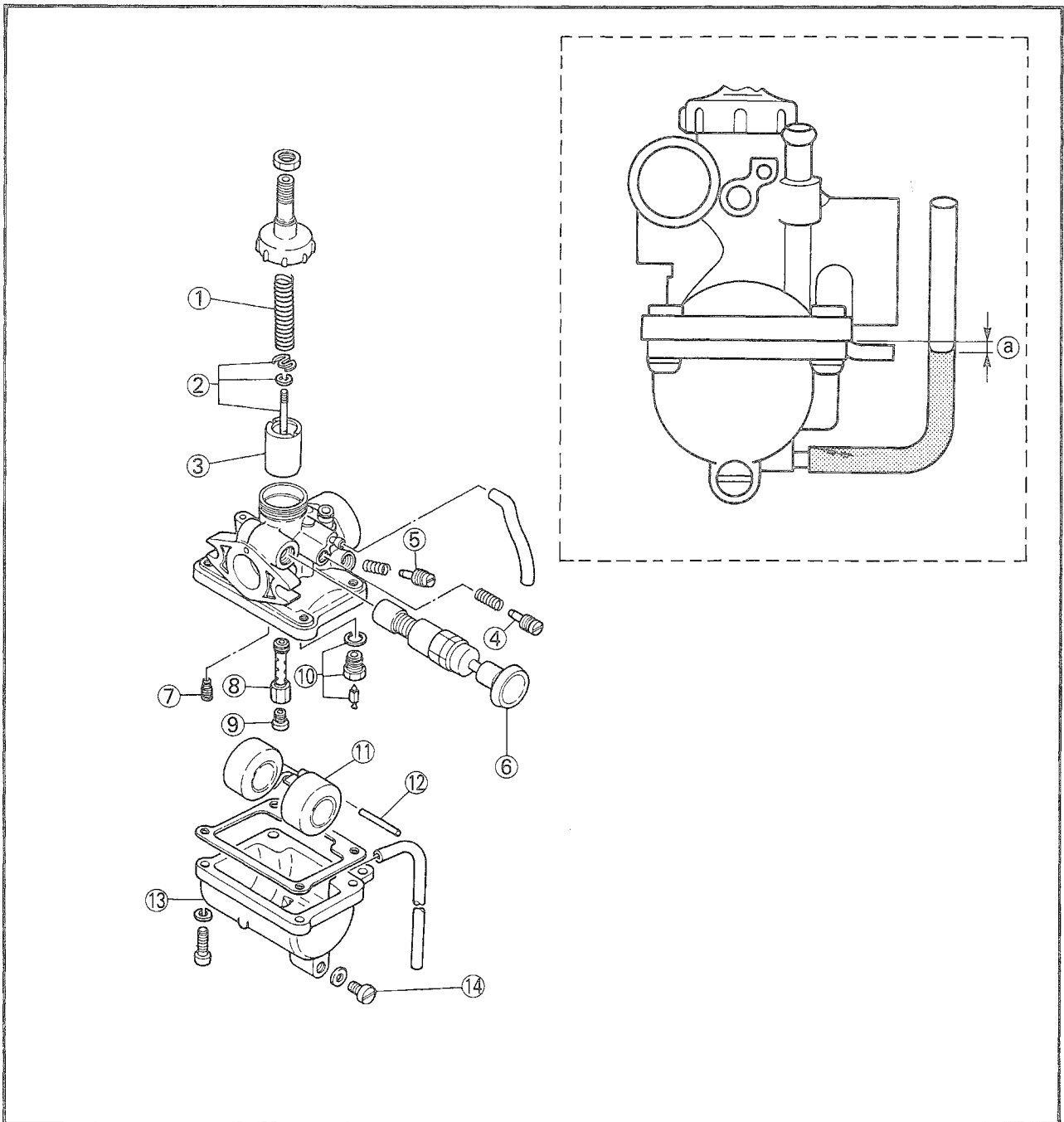
13. Air bleed:
- Autolube pump
- Refer to "CHAPTER 3—AUTOLUBE PUMP AIR BLEEDING" section.

CARBURETION

CARBURETOR

- ① Spring (Throttle valve)
- ② Jet needle assembly
- ③ Throttle valve
- ④ Throttle stop screw
- ⑤ Pilot screw
- ⑥ Starter plunger
- ⑦ Pilot jet
- ⑧ Main nozzle
- ⑨ Main jet
- ⑩ Valve seat assembly
- ⑪ Float
- ⑫ Pin (Float)
- ⑬ Float chamber
- ⑭ Drain screw

SPECIFICATIONS	
Main jet	# 120
Pilot jet	# 17.5
Jet needle	3G21-4
Needle jet	E-0
Throttle valve cut-away	2.0
Pilot screw	1-1/8
Valve seat size	1.5
Starter jet	# 20
Float height	21 ~ 23 mm (0.83 ~ 0.91 in)
Fuel level ^a	0 ~ 1 mm (0 ~ 0.04 in)



5

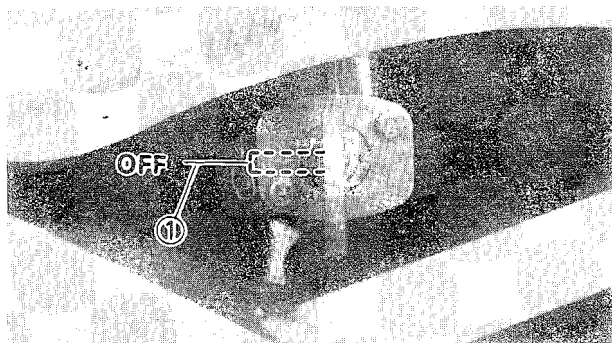


REMOVAL

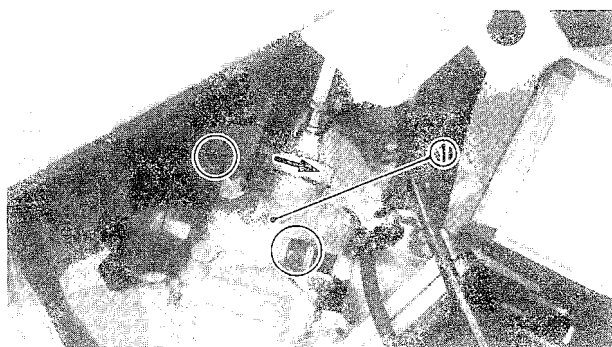
NOTE:

The following parts can be cleaned and inspected without carburetor disassembly.

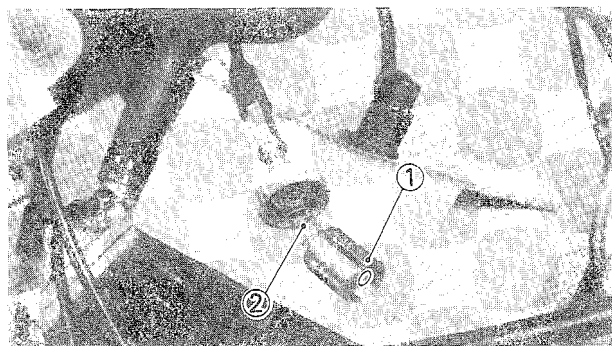
- Starter plunger
- Pilot screw



1. Remove:
 - Lower cowling
Refer to "CHAPTER 3—COWLINGS" section.
2. Turn the fuel cock to "OFF" position and disconnect the fuel hose ①.

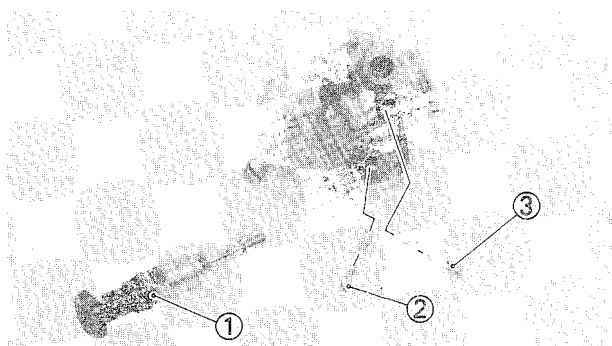


3. Loosen:
 - Screws (Carburetor joint)
4. Remove:
 - Carburetor assembly ①

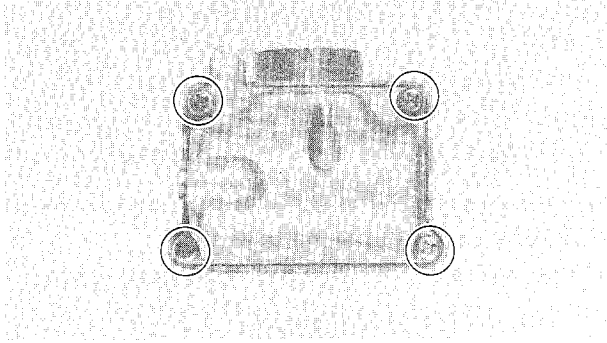


DISASSEMBLY

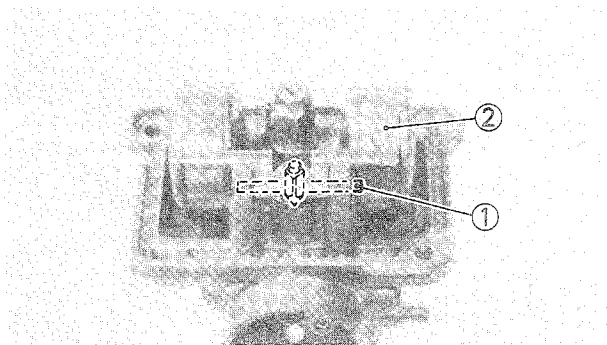
1. Remove:
 - Throttle valve assembly ①
 - Spring (Throttle valve) ②



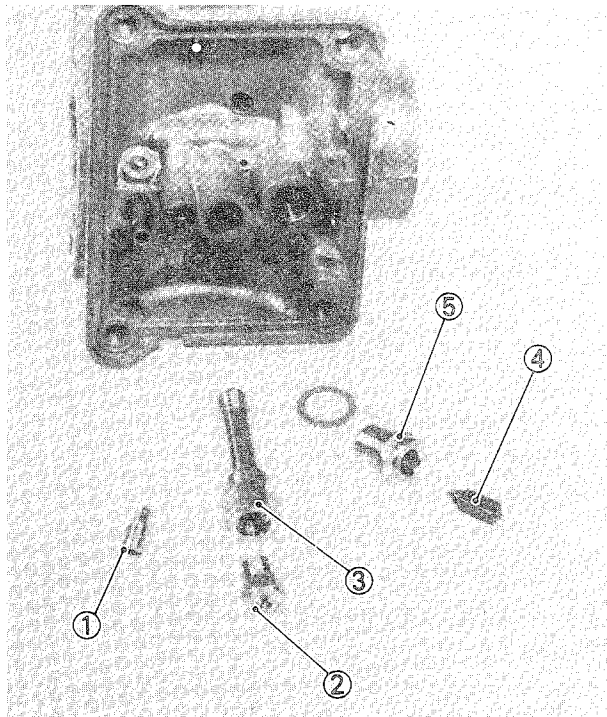
2. Remove:
 - Starter plunger ①
 - Throttle stop screw ②
 - Pilot screw ③



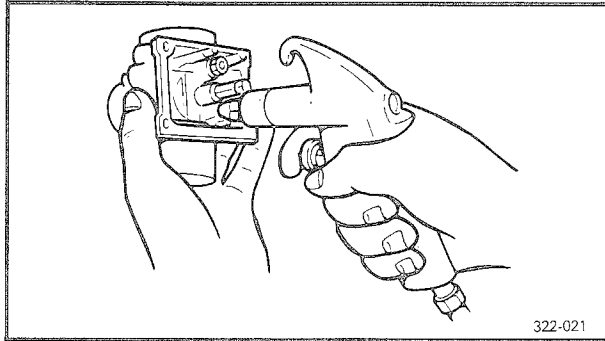
3. Remove:
• Float chamber



4. Remove:
• Pin (Float) ①
• Float ②



5. Remove:
• Pilot jet ①
• Main jet ②
• Main nozzle ③
• Needle valve ④
• Valve seat ⑤

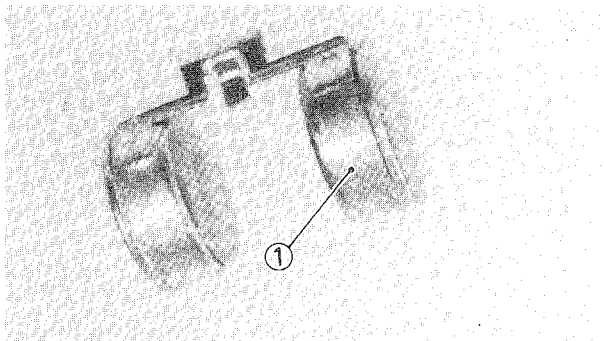


INSPECTION

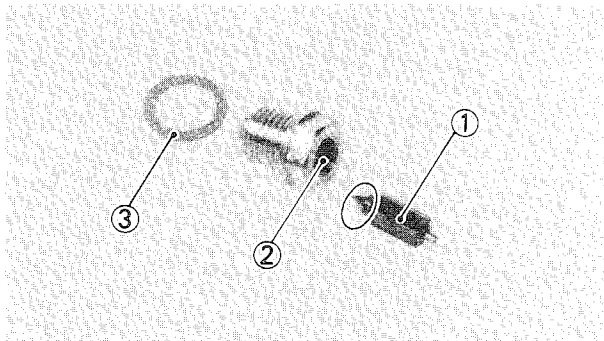
1. Inspect:
 - Carburetor body
 - Fuel passage
 Contamination → Clean as indicated.

Carburetor cleaning steps:

- Wash carburetor in petroleum based solvent. (Do not use any caustic carburetor cleaning solution).
- Blow out all passages and jets with compressed air.

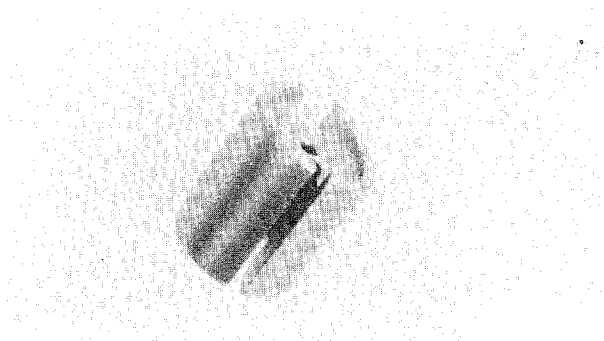


2. Inspect:
 - Float ①
 - Damage → Replace.
 - Gasket
 - O-ring
 - Damage → Replace.

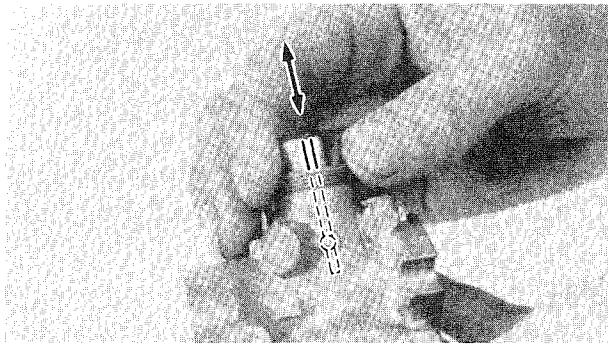


3. Inspect:
 - Needle valve ①
 - Valve seat ②
 - Gasket ③
 Damage/Wear/Contamination → Replace.

NOTE: _____
 Always replace the needle valve and valve seat as a set.

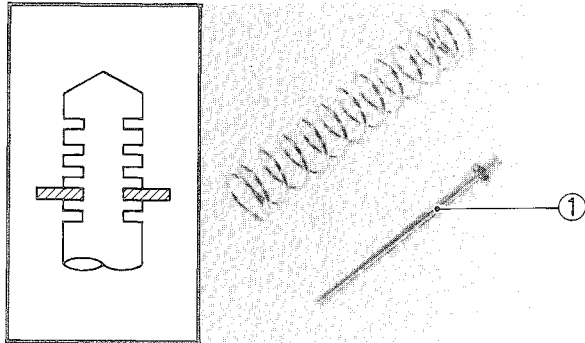


4. Inspect:
 - Throttle valve
 - Wear/Damage → Replace.



5. Check:

- Free movement
Stick → Replace.
Insert the throttle valve into the carburetor body, and check for free movement.



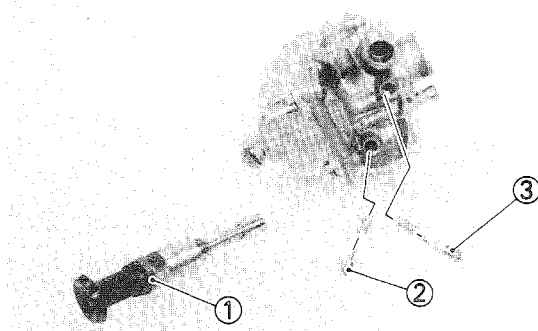
6. Inspect:

- Jet needle ①
Bends/Wear → Replace.
- Clip position

**Standard Clip Position:
No. 4 Groove**

7. Inspect:

- Starter plunger ①
Wear/Damage → Replace.
- Throttle stop screw ②
- Pilot screw ③
Wear/Damage → Replace.



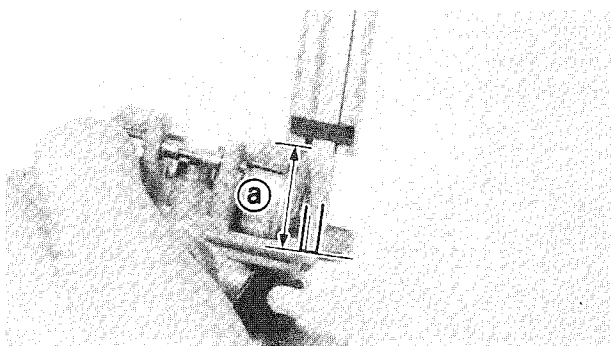
ASSEMBLY

Reverse the disassembly procedure.
Note the following points.

CAUTION: _____
Before reassembling, wash all parts in clean gasoline.

1. Measure:

- Float height (a)
Out of specification → Adjust.



**Float Height (a):
21 ~ 23 mm (0.83 ~ 0.91 in)**



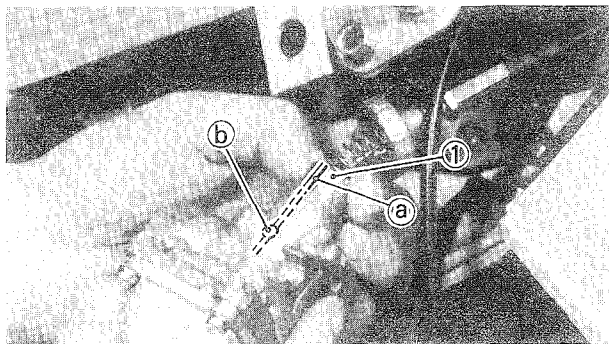
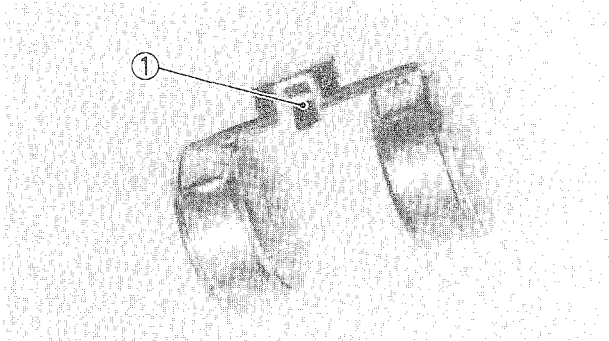
Float height measurement and adjustment steps:

- Hold the carburetor in an upside down position.
- Measure the distance between the mating surface of the float chamber and top of the float using a gauge.

NOTE:

The float arm should be resting on the needle valve, but not compressing the needle valve.

- If the float height is not within specification, inspect the valve seat and needle valve.
- If either is worn, replace them both.
- If both are fine, adjust the float height by bending the float tang ① on the float.
- Recheck the float height.



INSTALLATION

Reverse the removal procedures. Note the following points.

1. Install:

- Throttle valve assembly ①
To carburetor body.

NOTE:


Align the groove ① of the throttle valve with the projection ② of the carburetor body.

2. Adjust:

- Idle speed
Refer to the "CHAPTER 3—IDLE SPEED ADJUSTMENT" section.

	<p>Engine Idle Speed: 1,300 ~ 1,400 r/min</p>
--	--

3. Adjust:
 - Throttle cable free play
 Refer to the "CHAPTER 3—THROTTLE CABLE FREE PLAY ADJUSTMENT" section.

	Throttle Cable Free Play: 3~7 mm (0.12~0.28 in)
---	---

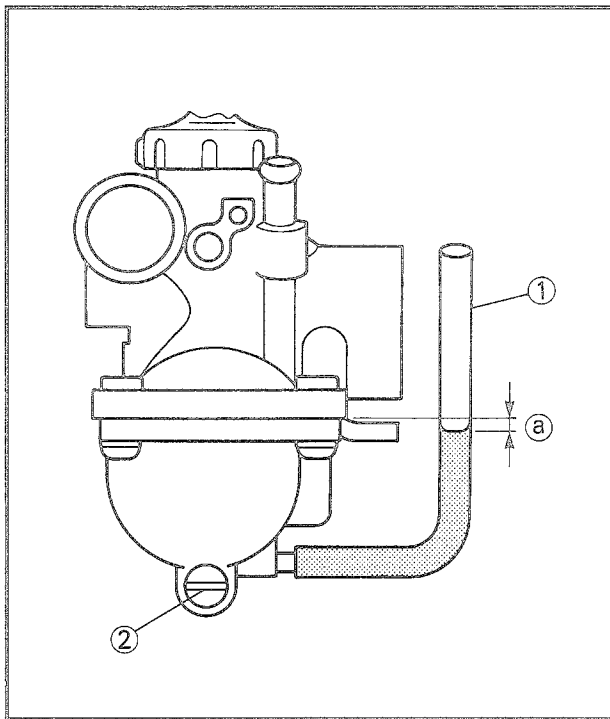
ADJUSTMENT


Fuel Level Adjustment

NOTE: _____


Before adjusting the fuel level, the float height should be adjusted.

1. Place the motorcycle on a level place.
2. Use a garage jack under the engine to ensure that the carburetor is positioned vertically.
3. Attach the Fuel Level Gauge ① to the float chamber nozzle.

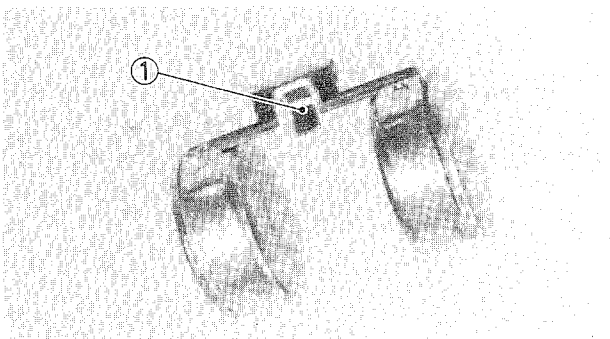


	Fuel Level Gauge: P/N YM-01312
---	--

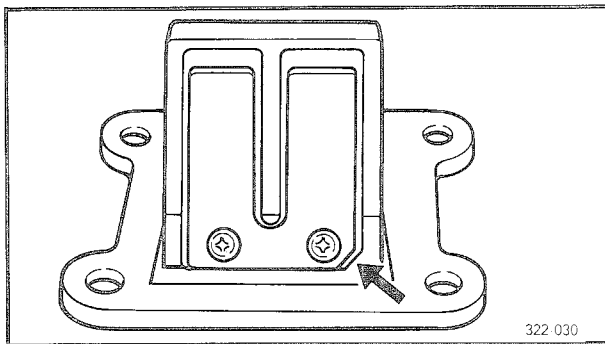
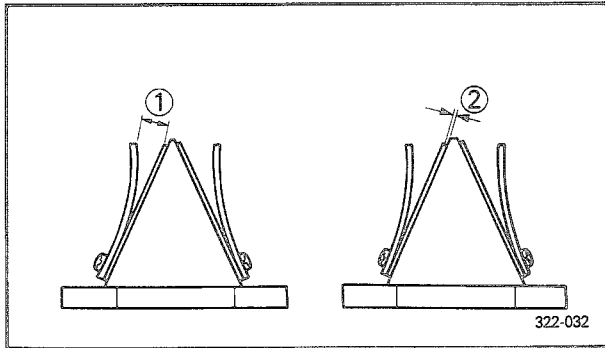
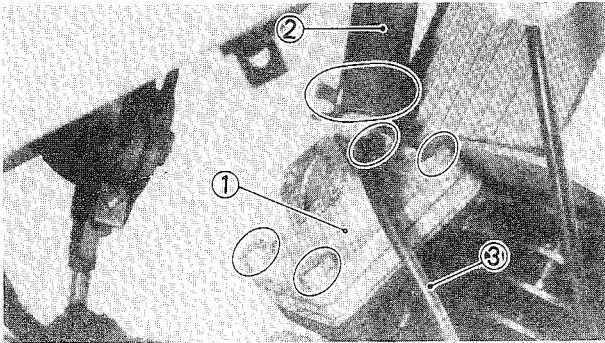
4. Loosen the drain screw ②, and warm up the engine for several minutes.
5. Measure:
 - Fuel level ①
 Out of specification → Adjust.

	Fuel Level ①: Zero ~ 1 mm (Zero ~ 0.04 in) Below the Carburetor Body Edge
---	--

6. Adjust:
 - Fuel level



<p>Adjustment steps:</p> <ul style="list-style-type: none"> ◦ Remove the carburetor. ◦ Inspect the valve seat and needle valve. ◦ If either is worn, replace them both. ◦ If both are fine, adjust the float height by bending the float tang ① on the float. ◦ Recheck the fuel level.



REED VALVE

REMOVAL

1. Remove:
 - Carburetor assembly
Refer to "CARBURETOR—REMOVAL" section.
2. Remove:
 - Carburetor joint ①
 - Y.E.I.S. hose ②
 - Oil hose ③
 - Reed valve

INSPECTION

1. Measure:
 - Valve stopper height ①
Out of specification → Replace.

	Valve Stopper Height: 6.7 ~ 7.3 mm (0.26 ~ 0.29 in)
--	---

2. Measure:
 - Reed valve bending ②
Out of specification → Replace.

	Reed Valve Bending Limit: 0.3 mm (0.012 in)
--	---

Replacement steps:

- Remove the screws (Reed valve)
- Install the reed valves (New)

NOTE: _____
Install the reed valves as shown.

- Tighten the screws (Reed valve).

CAUTION: _____
Tighten each screw gradually to avoid warping.

	Screw (Reed Valve): 1 Nm (0.1 m·kg, 0.7 ft·lb)
--	--

- Recheck reed valve bending.

REED VALVE

CARB



INSTALLATION

Reverse the removal procedure.

Note following points.

1. Tighten:

- Carburetor joint



Bolt (Carburetor Joint):

8 Nm (0.8 m•kg, 5.8 ft•lb)

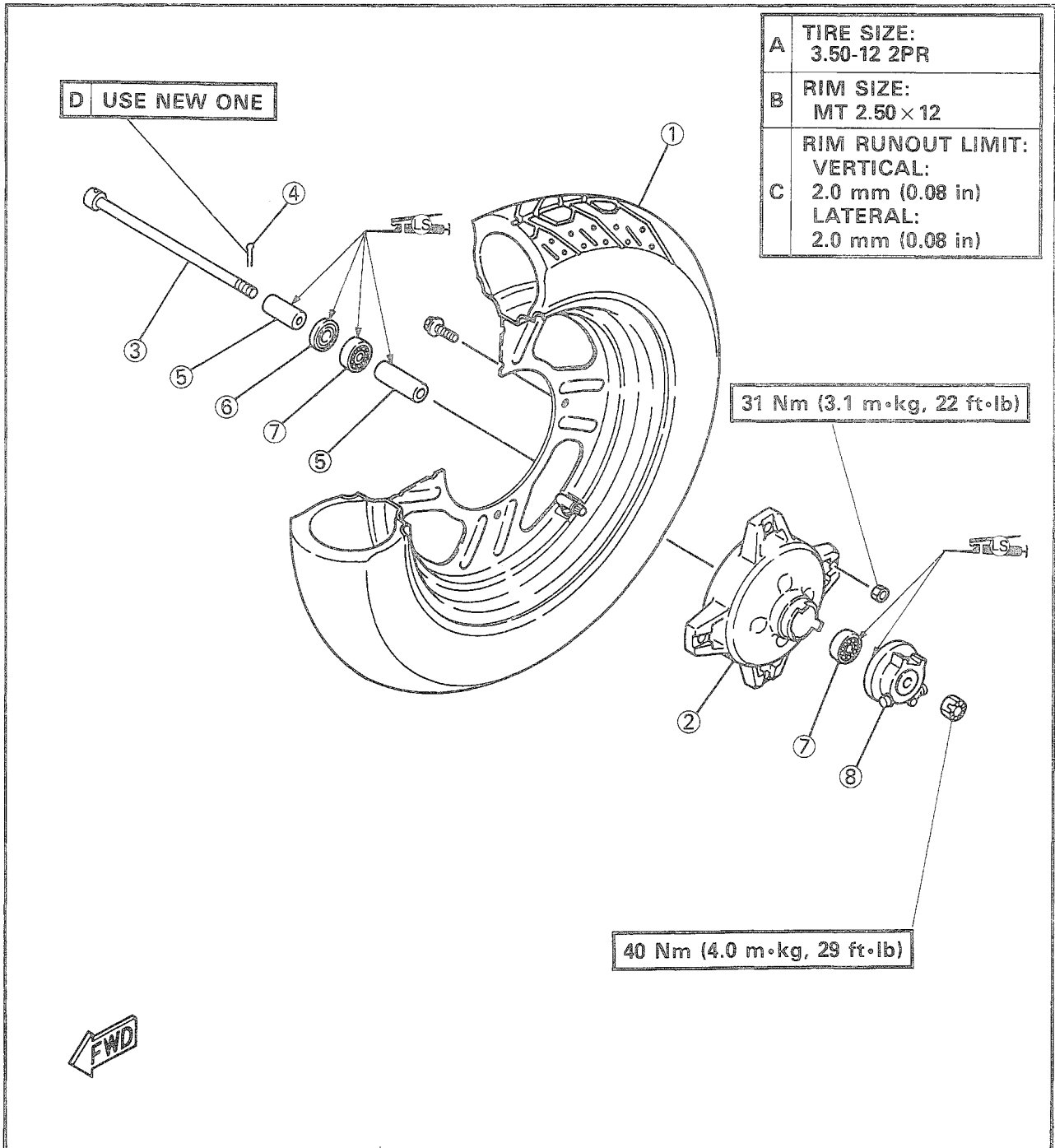
CHASSIS

FRONT WHEEL

- ① Front wheel
- ② Hub
- ③ Front wheel axle
- ④ Cotter pin
- ⑤ Collar
- ⑥ Oil seal
- ⑦ Bearing
- ⑧ Speedometer gear unit

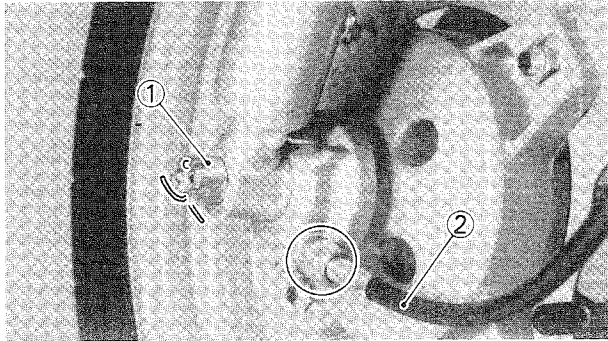
BASIC WEIGHT: WITH OIL AND FULL FUEL TANK	91 kg (201 lb)	
MAXIMUM LOAD*	68 kg (150 lb)	
COLD TIRE PRESSURE:	FRONT	REAR
ZERO ~ MAXIMUM LOAD*	130 kPa (1.3 kg/cm ² , 18 psi)	150 kPa (1.5 kg/cm ² , 21 psi)

*Load is the total weight of cargo, rider, and accessories.

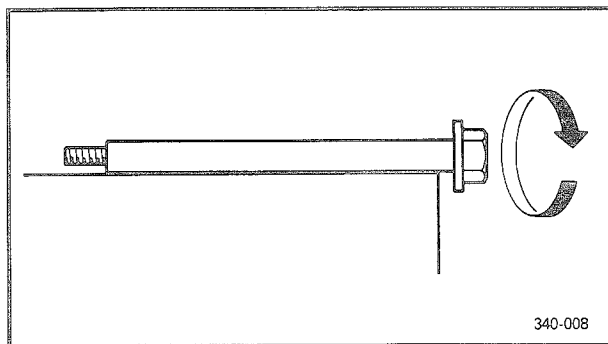


REMOVAL**WARNING:**

Support the motorcycle securely so there is no danger of it falling over.



1. Remove:
 - Lower cowling
Refer to "CHAPTER 3—COWLINGS" section.
2. Remove:
 - Cotter pin
3. Loosen:
 - Nut (Front wheel axle) ①
4. Elevate the front wheel by placing a suitable stand under the engine.
5. Disconnect:
 - Speedometer cable ②
6. Remove:
 - Front wheel
 - Speedometer gear unit
 - Collar
 - Front wheel axle

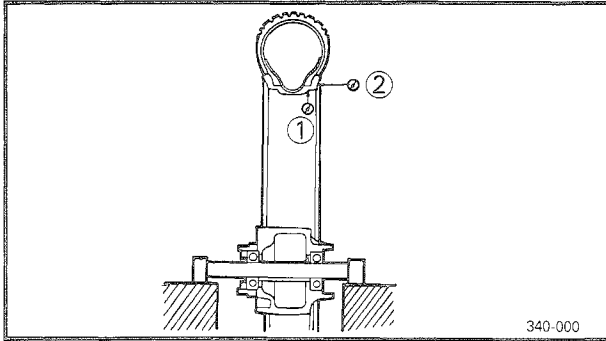
**INSPECTION**

1. Eliminate any corrosion from parts.
2. Inspect:
 - Front axle
Roll the axle on a flat surface.
Bends → Replace.


WARNING:

Do not attempt to straighten a bent axle.

3. Inspect:
 - Wheel
Cracks/Bends/Warpage → Replace.



4. Measure:
- Wheel runout
- Out of specification → Check the wheel and bearing play.

 **Rim Runout Limit:**
 Radial ①: 2.0 mm (0.08 in)
 Lateral ②: 2.0 mm (0.08 in)

5. Check:
- Wheel bearings
- Bearings allow play in the wheel hub or wheel turns roughly → Replace.

Wheel bearing replacement steps:

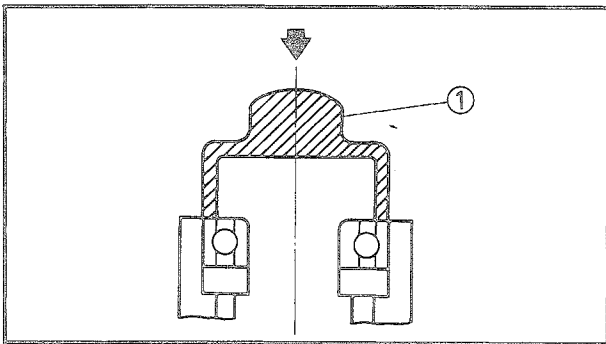
- Clean the out side of the wheel hub.
- Remove the bearing using a general bearing puller
- Install the new bearing.

NOTE: _____

Use a socket ① that matches the outside diameter of the race of the bearing.

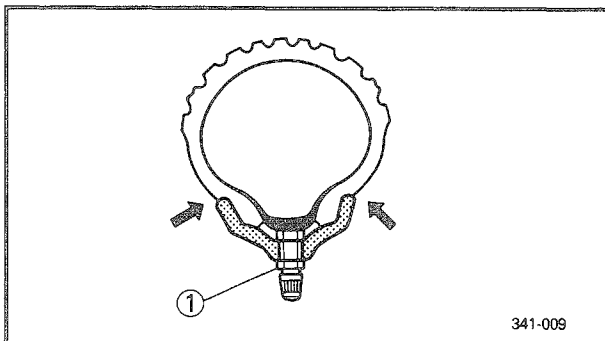
CAUTION: _____


Do not strike the inner race of balls of the bearing. Contact should be made only with the outer race.



WARNING: _____

- After mounting a tire, ride conservatively to allow proper tire to rim seating. Failure to do so may cause an accident resulting in motorcycle damage and possible operator injury.
- After a tire repair or replacement, be sure to torque tighten the valve stem locknut ① to specification.



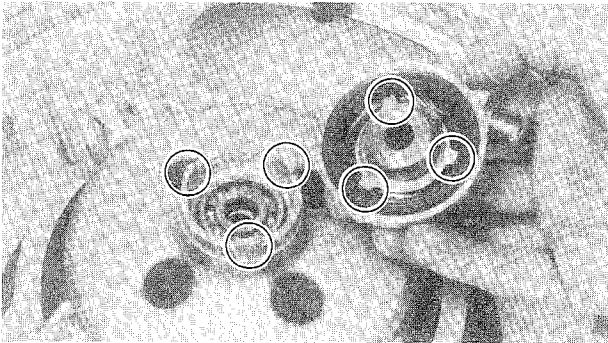
 **Valve-stem Locknut:**
 1.5 Nm (0.15 m•kg, 1.1 ft•lb)

INSTALLATION

Reverse the removal procedure. Note the following points.

1. Apply:
 - Lithium base grease

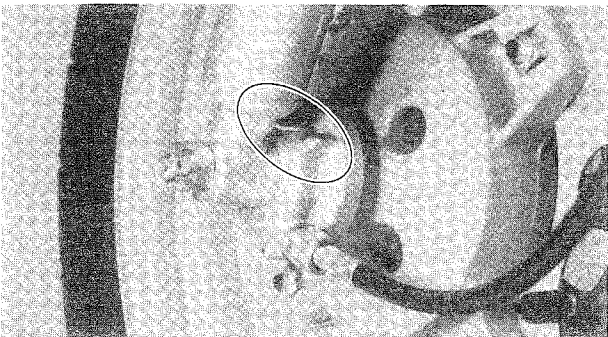
Lightly grease to the oil seal and gear unit.



2. Install:
 - Speedometer gear unit
 - Collar

NOTE: _____

Make sure the projections inside the gear unit are meshed with the flats in the wheel hub.



3. Install:
 - Front wheel assembly

NOTE: _____

Be sure the boss on the outer fork tube correctly engages with the locating slot on the gear unit assembly.

4. Tighten:
 - Nut (Front wheel axle)



Nut (Front Wheel Axle):
40 Nm (4.0 m•kg, 29 ft•lb)

5. Install:
 - Cotter pin (New)

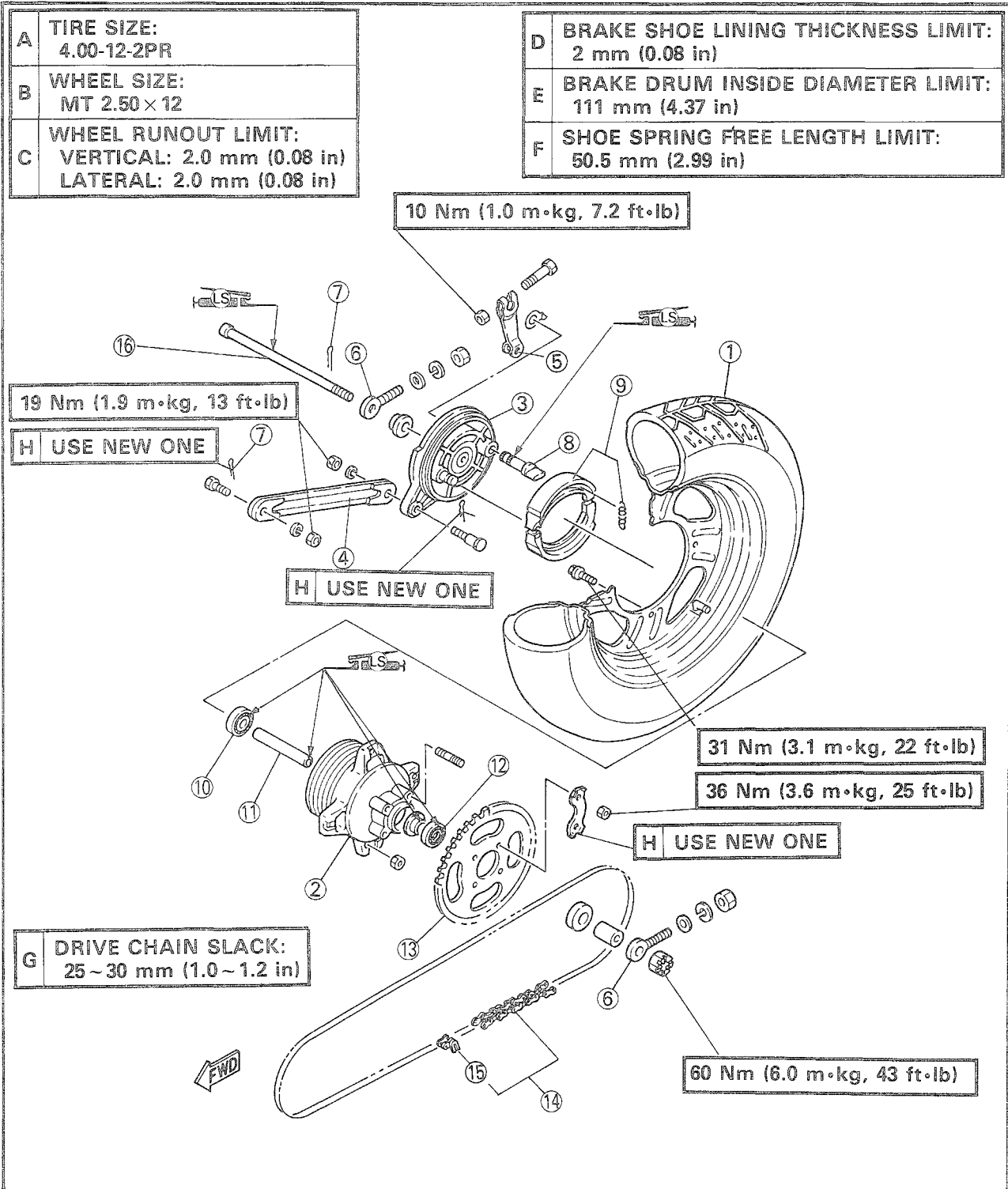
WARNING: _____

Always use a new cotter pin.

6. Bend the end of cotter pin.

REAR WHEEL

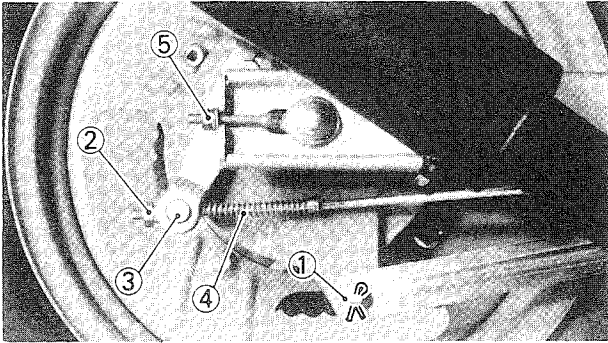
- ① Rear wheel
- ② Hub
- ③ Brake shoe plate
- ④ Tension bar
- ⑤ Brake cam lever
- ⑥ Drive chain puller
- ⑦ Cotter pin
- ⑧ Brake cam shaft
- ⑨ Brake shoes
- ⑩ Bearing
- ⑪ Collar
- ⑫ Bearing
- ⑬ Driven sprocket
- ⑭ Drive chain
- ⑮ Joint
- ⑯ Rear wheel axle



REMOVAL

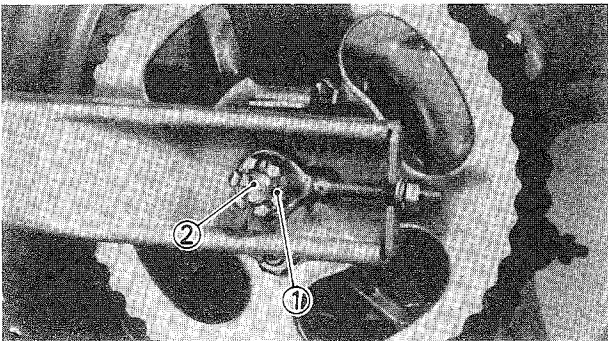
WARNING:

Support the motorcycle securely so there is no danger of it falling over.

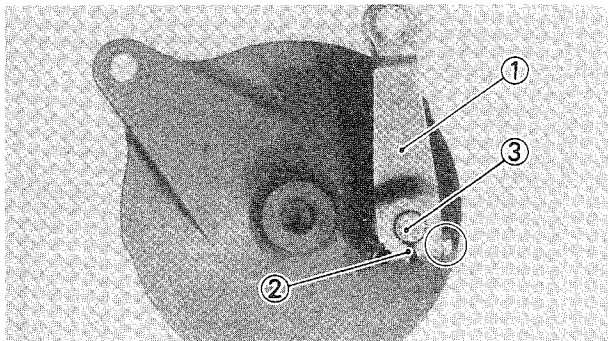


1. Remove:
 - Cotter pin (Tension bar)
 - Nut (Tension bar) ①
 - Adjuster (Rear brake) ②
 - Pin ③
 - Spring ④
 - Cotter pin (Rear axle)

2. Loosen:
 - Nut (Rear wheel axle)
 - Nuts (Chain puller) ⑤
3. Elevate the rear wheel by placing a suitable stand under the engine.
4. Push the wheel forward and remove the drive chain.



5. Remove:
 - Nut (Rear wheel axle) ①
 - Rear wheel axle ②
 - Rear wheel
 - Collars
 - Brake shoe plate



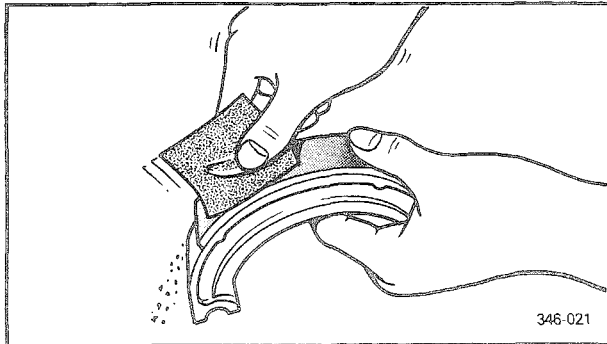
6. Remove:
 - Brake cam lever ①
 - Wear indicator ②
 - Brake shoes
 - Springs (Brake shoe)
 - Brake cam shaft ③

INSPECTION

1. Inspect:
 - Rear wheel axle
Refer to "FRONT WHEEL—INSPECTION" section.
2. Inspect:
 - Wheel
Refer to "FRONT WHEEL—INSPECTION" section.

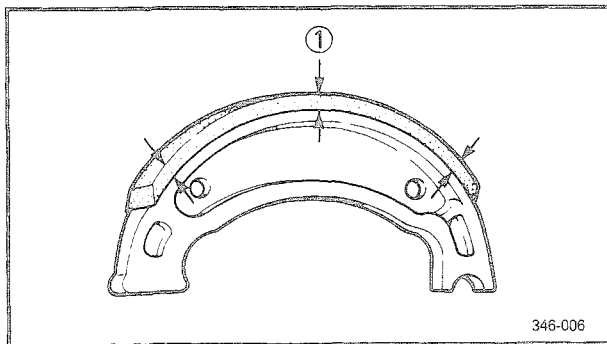
3. Measure:
 ◦Wheel runout
 Refer to "FRONT WHEEL—INSPECTION" section.

4. Check:
 ◦Wheel bearings
 Refer to "FRONT WHEEL—INSPECTION" section.




6. Inspect:
 ◦Brake lining surface
 Blazed areas → Remove.
 Use a coarse sand paper.

NOTE: _____
 After using the sand paper, clean of the polished particles with cloth.



7. Measure:
 ◦Brake lining thickness
 Out of specification → Replace.

① Measuring points

	Brake Lining Thickness:
	4 mm (0.16 in)
	Wear Limit:
	2 mm (0.08 in)

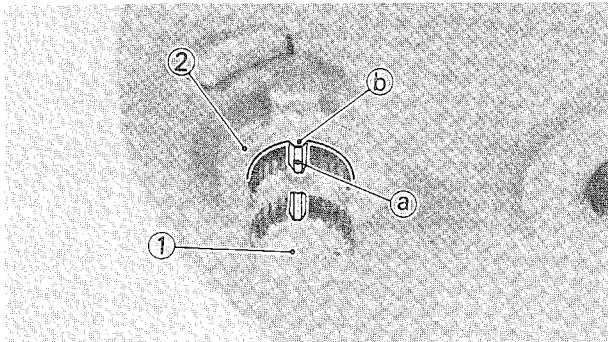
NOTE: _____
 Replace the brake shoes as a set if either is found to be worn to the wear limit.

8. Inspect:
 ◦Brake drum inner surface
 Oil/Scratches → Remove.

Oil	Use a rag soaked in lacquer thinner or solvent.
Scratches	Use an emery cloth (lightly and evenly polishing).

9. Measure:
- Brake drum inside diameter
- Out of specification → Replace.

	Brake Drum Wear Limit: 111 mm (4.37 in)
---	---



INSTALLATION

Reverse the removal procedure. Note the following points.

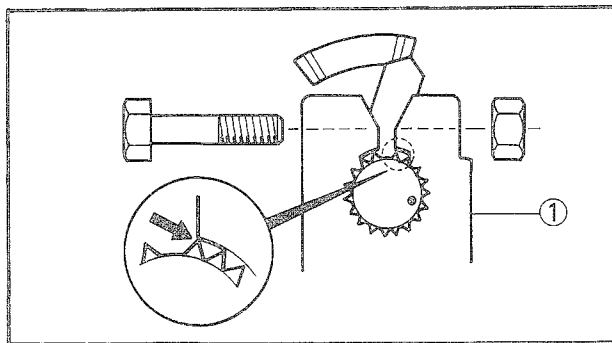
1. Install:
- Brake cam shaft ①
 - Wear indicator ②

NOTE: _____

- Apply the lithium soap base grease onto the brake cam shaft.
- Align the slot ① on the brake cam shaft with the projection ② on the wear indicator.

CAUTION: _____


Wipe off the excess grease.



2. Install:
- Brake cam lever ①

NOTE: _____

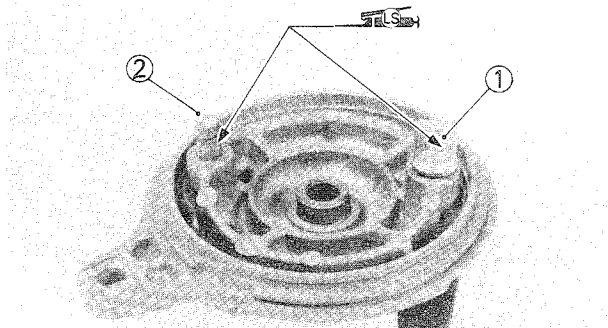
Install the brake cam lever as shown.

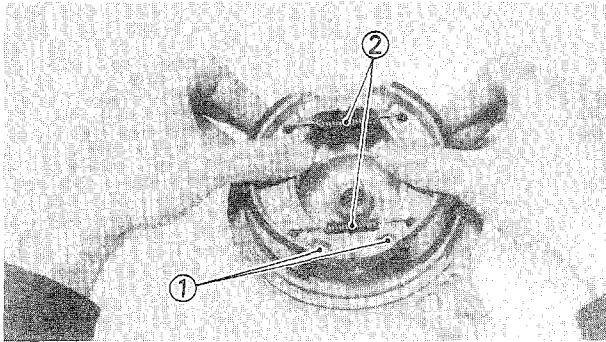
	Bolt (Brake Cam Lever): 10 Nm (1.0 m·kg, 7.2 ft·lb)
---	---

3. Apply:
- Lithium soap base grease
- Onto the brake cam lever ① and pivot shaft ②.

CAUTION: _____

Wipe off the excess grease.






4. Install:
- Brake shoes ①
 - Springs (Brake shoe) ②

CAUTION: _____


When installing the spring and brake shoe, take care not to damage the spring and not to apply grease to the brake shoes.

5. Apply:
- Lithium base grease
- Lightly grease to the oil seal lips.

6. Adjust:
- Drive chain slack
- Refer to "CHAPTER 3—DRIVE CHAIN ADJUSTMENT" section.

	<p>Drive Chain Slack: 25 ~ 30 mm (1.0 ~ 1.2 in)</p>
---	--

7. Tighten:
- Nut (Rear wheel axle)
 - Nut (Torsion bar)

	<p>Nut (Rear Wheel Axle): 60 Nm (6.0 m·kg, 43 ft·lb)</p> <p>Nut (Torsion bar): 19 Nm (1.9 m·kg, 13 ft·lb)</p>
---	---


8. Install:
- Cotter pin

WARNING _____

Always use a new cotter pin.

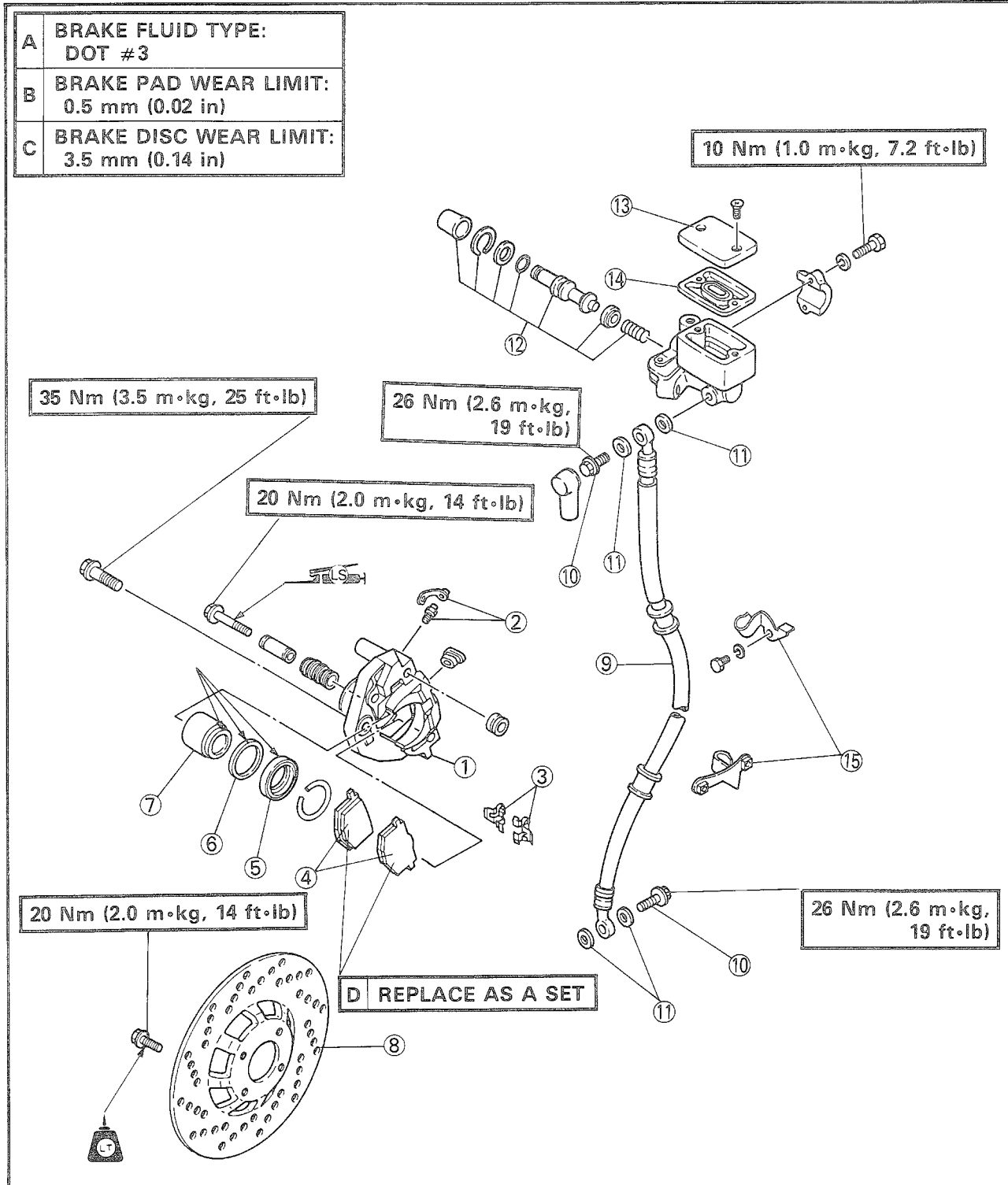
9. Bend the ends of cotter pins.

10. Adjust:
- Rear brake pedal free play
- Refer to "CHAPTER 3—REAR BRAKE ADJUSTMENT" section.

	<p>Rear Brake Pedal Free Play: 20 ~ 30 mm (0.8 ~ 1.2 in)</p>
---	---

FRONT BRAKE

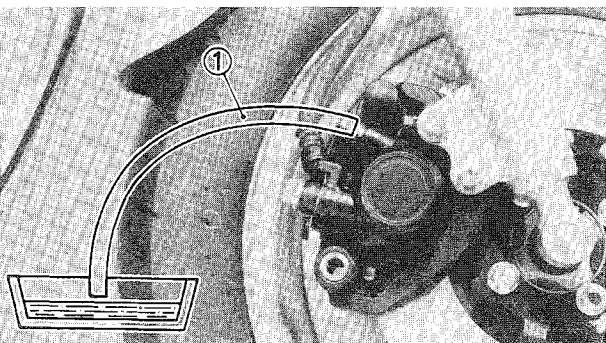
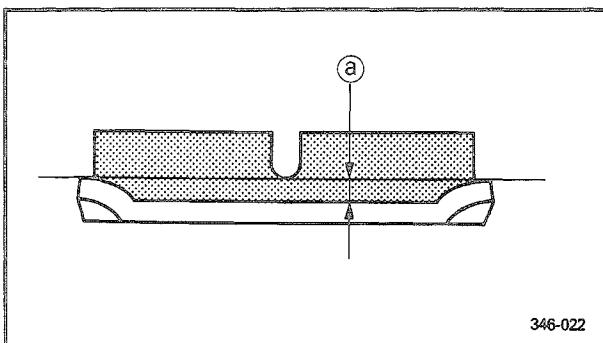
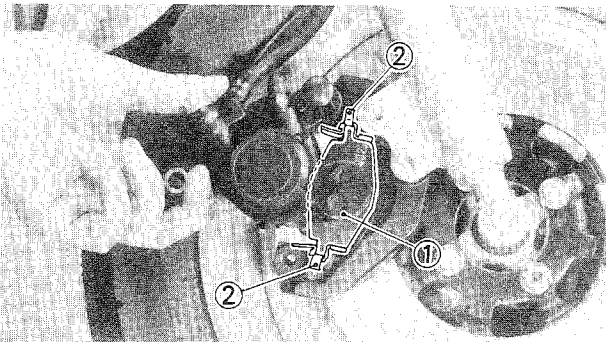
- ① Caliper
- ② Bleed screw
- ③ Pad spring
- ④ Brake pads
- ⑤ Dust seal
- ⑥ Piston seal
- ⑧ Brake disc
- ⑨ Brake hose
- ⑩ Union bolt
- ⑪ Copper washer
- ⑫ Master cylinder kit
- ⑬ Master cylinder cap
- ⑭ Diaphragm
- ⑮ Brake hose holder



CAUTION:

Disc brake components rarely require disassembly. Do not disassemble components unless absolutely necessary. If any hydraulic connection in the system is opened, the entire system should be disassembled, drained, cleaned and then properly filled and bled upon reassembly. Do not use solvents on brake internal components.

Solvents will cause seals to swell and distort. Use only clean brake fluid for cleaning. Use care with brake fluid. Brake fluid is injurious to eyes and will damage painted surfaces and plastic parts.

**BRAKE PAD REPLACEMENT****NOTE:**

It is not necessary to disassemble the brake caliper and brake hose to replace the brake pads.

1. Remove:
 - Bolt (Caliper body)
2. Remove:
 - Brake pads ①
 - Pad springs ②

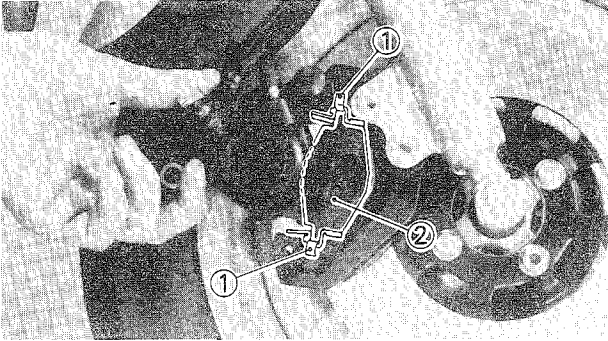
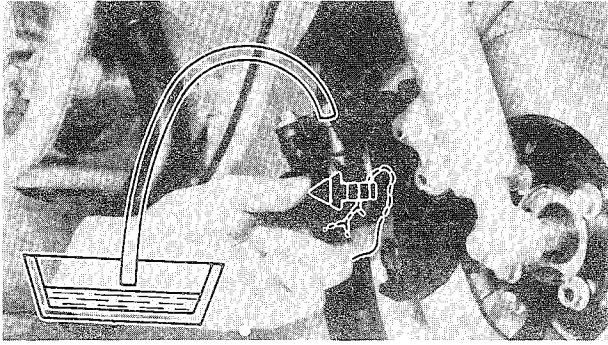


Pad Wear Limit (a):
0.5 mm (0.02 in)

NOTE:

Replace the pads as a set if either is found to be worn to the wear limit.

3. Connect a suitable hose ① tightly to the caliper bleed screw. Then, place other end of this hose into an open container.



4. Loosen the caliper bleed screw and push the pistons into the caliper by your finger.
5. Tighten:
 - Caliper bleed screw



Caliper Bleed Screw:
5 Nm (0.5 m·kg, 3.6 ft·lb)

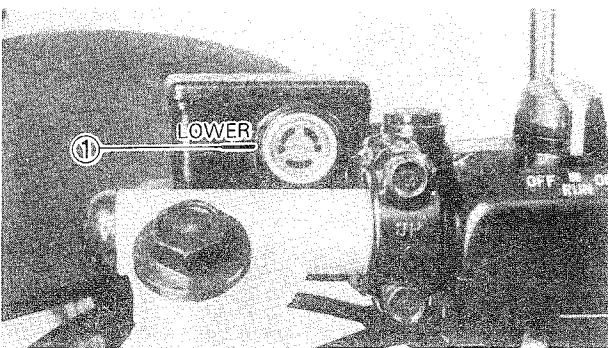
6. Install:
 - Pad springs ①
 - Brake pads (New) ②

NOTE: _____
Install the pad spring with it longer tangs facing towards the disc rotation direction.

7. Install:
 - Bolts (Caliper body)
 - Caliper cover



Bolts (Caliper body):
20 Nm (2.0 m·kg, 14 ft·lb)



8. Inspect:
 - Brake fluid level
Refer to "BRAKE FLUID INSPECTION" section in CHAPTER 3.

① "LOWER" level line

9. Check:
 - Brake lever operation
A softy or spongy filling → Bleed brake system.
Refer to "AIR BLEEDING" section in CHAPTER 6.



CALIPER DISASSEMBLY

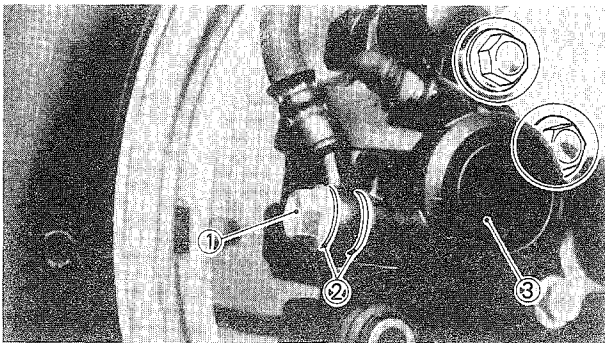
NOTE:

Before disassembling the brake caliper, drain the brake system of the brake fluid.

1. Remove:

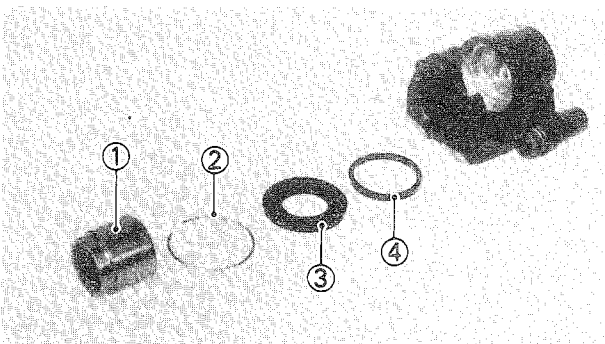
- Brake pads

Refer to "BRAKE PAD REPLACEMENT" section.



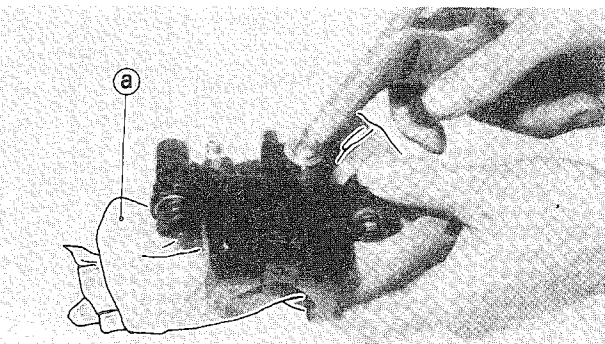
2. Remove:

- Union bolt (Brake hose) ①
- Copper washers ②
- Caliper body
- Caliper bracket ③



3. Remove:

- Caliper piston ①
- Clip ②
- Piston seal ③
- Dust seal ④



Removal steps:

- Using a rag (a), lock the right side piston.
- Blow compressed air into the hose joint opening to force out the caliper piston from the caliper body.
- Remove the clip.

CAUTION:

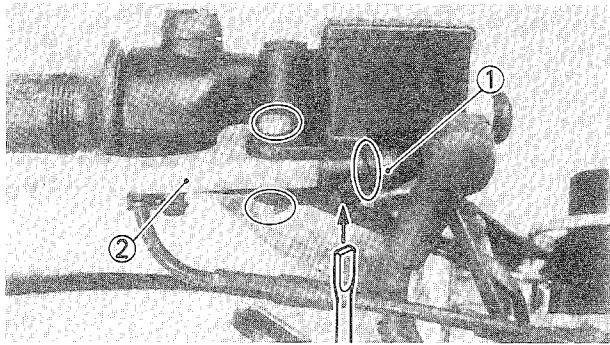
When removing the clip, take care not to damage the dust seal.

- Remove the dust seal and piston seal.

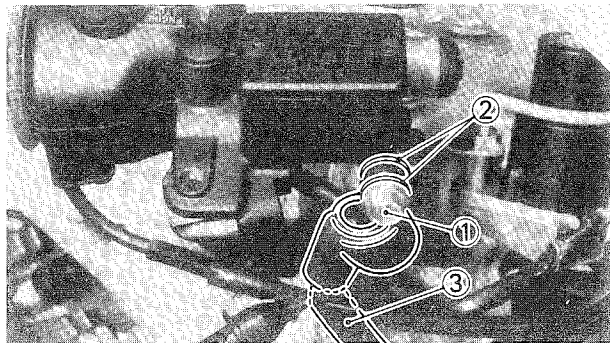
MASTER CYLINDER DISASSEMBLY

NOTE:

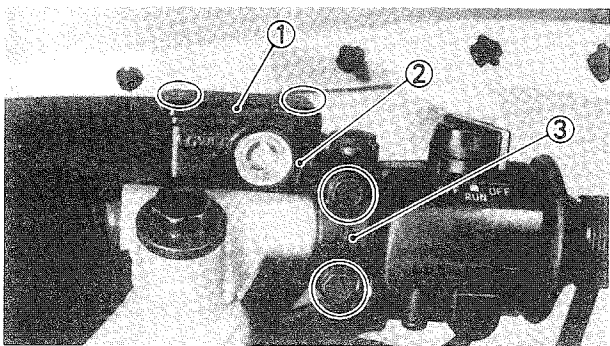
Before disassembling the front master cylinders, drain the brake system of the brake fluid.



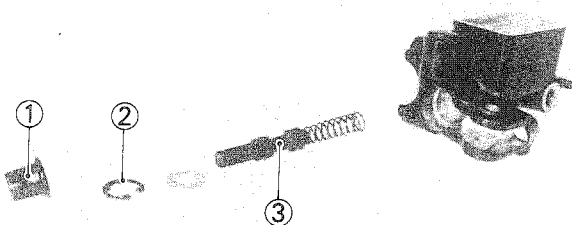
1. Remove:
 - Brake switch ①
 - Brake lever ②
 - Spring



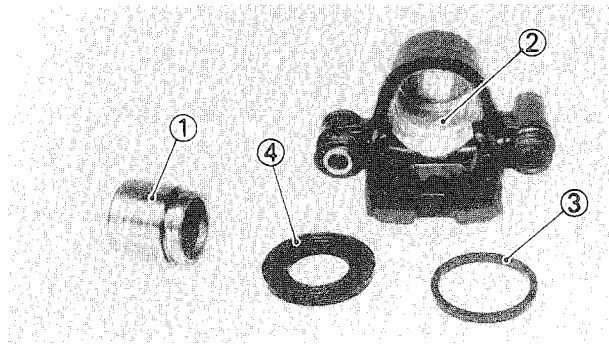
2. Remove:
 - Union bolt (Brake hose) ①
 - Copper washers ②
 - Brake hose ③



3. Remove:
 - Master cylinder cap ①
 - Diaphragm
 - Master cylinder ②
 - Master cylinder bracket ③



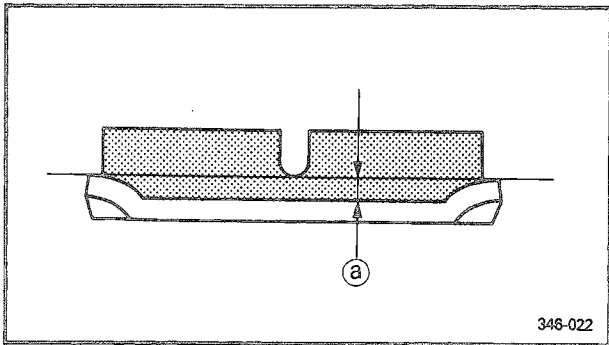
4. Remove:
 - Master cylinder boot ①
 - Circlip ②
 - Master cylinder kit ③



INSPECTION AND REPAIR


1. Inspect:

- Caliper piston ①
Rust/Wear → Replace.
- Caliper cylinder body ②
Wear/Scratches → Replace.
- Piston seal ③
- Dust seal ④
Damage → Replace.



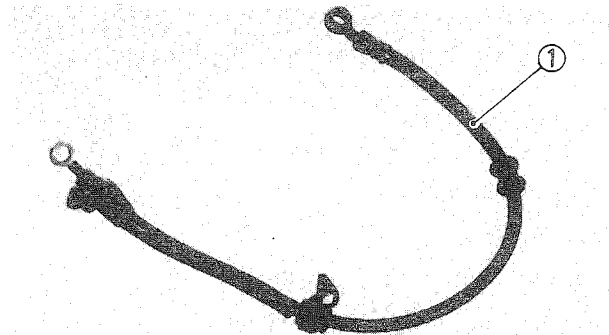
2. Measure:

- Brake pad thickness ①
Out of specification → Replace. !

	<p>Pad Wear Limit: 0.5 mm (0.02 in)</p>
---	--

NOTE: _____

Replace the pads as a set if either is found to be worn to the wear limit.



3. Inspect:

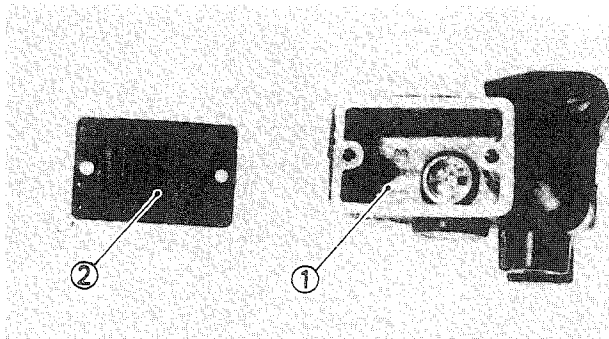
- Brake hose ①
Cracks/Damage → Replace.

4. Inspect:

- Master cylinder body ①
Scratches/Wear → Replace.

NOTE: _____

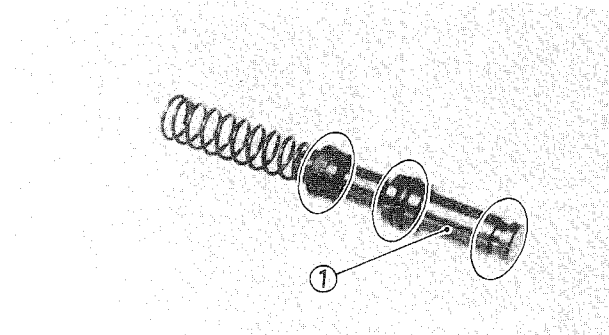
Clean all passages with new brake fluid.




- Diaphragm ②
Damage → Replace.

5. Inspect:

- Master cylinder kit ①
Scratches/Wear → Replace.



6. Inspect:
- Brake disc
- Out of specification → Replace.

	Maximum Deflection:
	0.15 mm (0.006 in)
	Minimum Disc Thickness:
	3.5 mm (6.14 in)

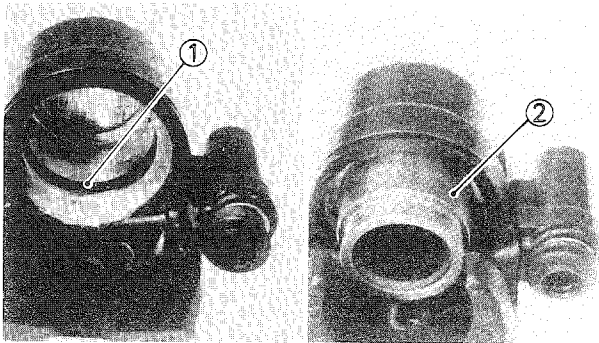
ASSEMBLY

WARNING: _____

- All internal parts should be cleaned in new brake fluid only.
- Internal parts should be lubricated with brake fluid when installed.

	Brake Fluid:
	DOT #3

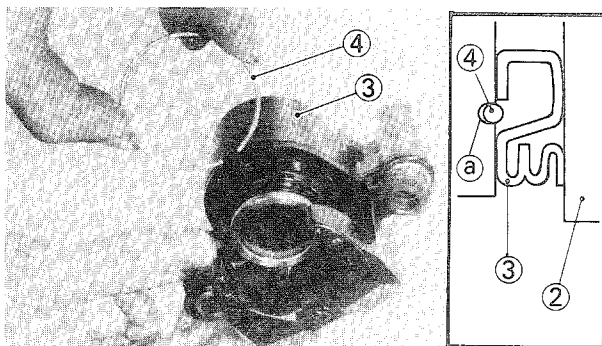
- Replace the piston seals whenever a caliper is disassembled.



1. Install:
- Piston seal ①
 - Caliper piston ②
 - Dust seal ③
 - Clip ④

NOTE: _____


Apply the lithium soap base grease onto the piston seal, caliper piston and dust seal.

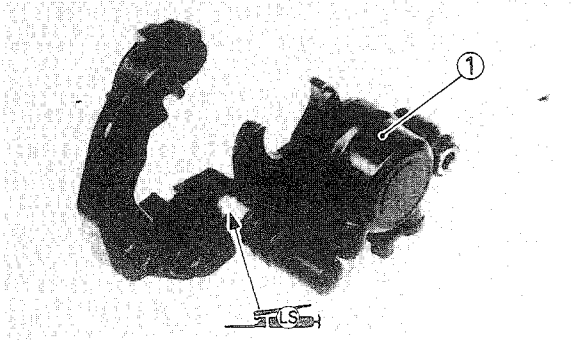
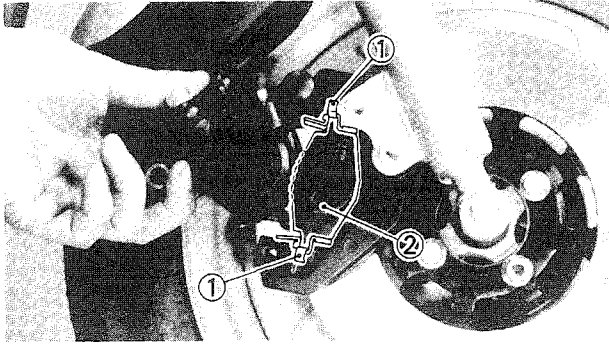


CAUTION: _____

Install the clip onto the slot (a) on the caliper body correctly.

2. Install:
- Caliper

	Bolt (Caliper bracket):
	35 Nm (3.5 m•kg, 25 ft•lb)



3. Install:

- Pad springs ①
 - Brake pads ②
- Refer to "BRAKE PAD REPLACEMENT" section.

4. Install:

- Caliper ①

NOTE: _____


Apply the grease onto the caliper shaft.

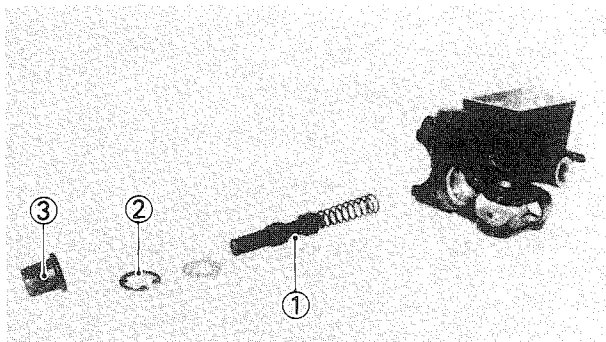
CAUTION: _____

- Take care not to allow the brake pads to be smeared by grease.
- Wipe off any unnecessary grease that comes out of place.

5. Install:

- Bolt (Caliper body)

	Bolt (Caliper body): 20 Nm (2.0 m•kg, 14 ft•lb)
---	---



6. Install:

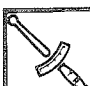
- Master cylinder kit ①
- Circlip ②
- Dust boot ③

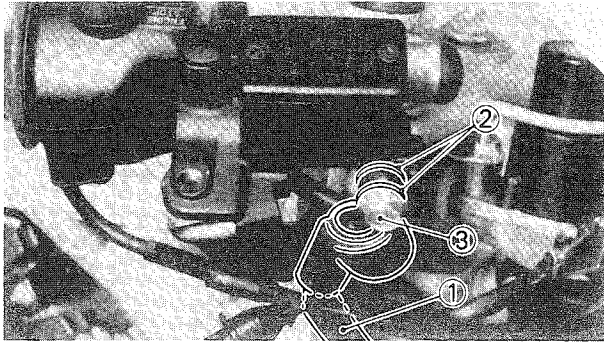
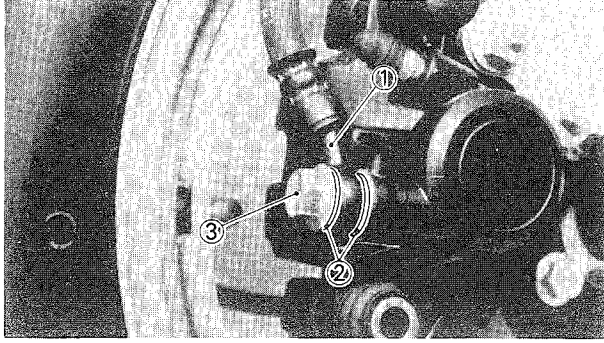
7. Install:

- Master cylinder
- Master cylinder bracket

NOTE: _____

Install the master cylinder bracket with the "UP" mark facing upward.

	Bolt (Master Cylinder Bracket): 10 Nm (1.0 m•kg, 7.2 ft•lb)
---	---



8. Install:

- Brake hose ①
- Copper washers ②
- Union bolts ③

**Union Bolts:**

26 Nm (2.6 m•kg, 19 ft•lb)

WARNING:

Proper hose routing is essential to insure safe motorcycle operation. Refer to "CABLE ROUTING".

9. Install:

- Brake lever
- Spring

10. Fill:

- Brake fluid

**Brake Fluid:**

DOT #3

11. Bleed:

- Air
- From brake system.
Refer to "AIR BLEEDING" section.

12. Install:

- Diaphragm
- Master cylinder cap



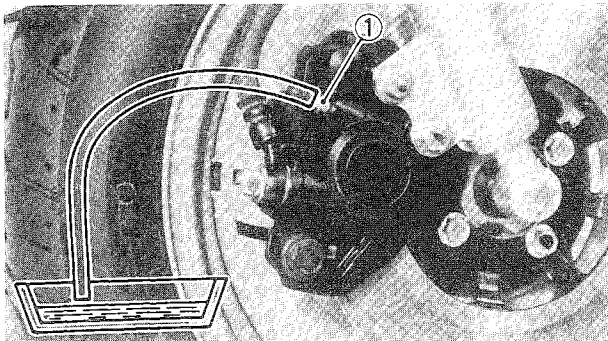
AIR BLEEDING

WARNING

Bleed the brake system if:

- The system has been disassembled.
- A brake hose has been loosened or removed.
- The brake fluid is very low.
- The brake operation is faulty.

A dangerous loss of braking performance may occur if the brake system is not properly bled.

**Air bleeding steps:**

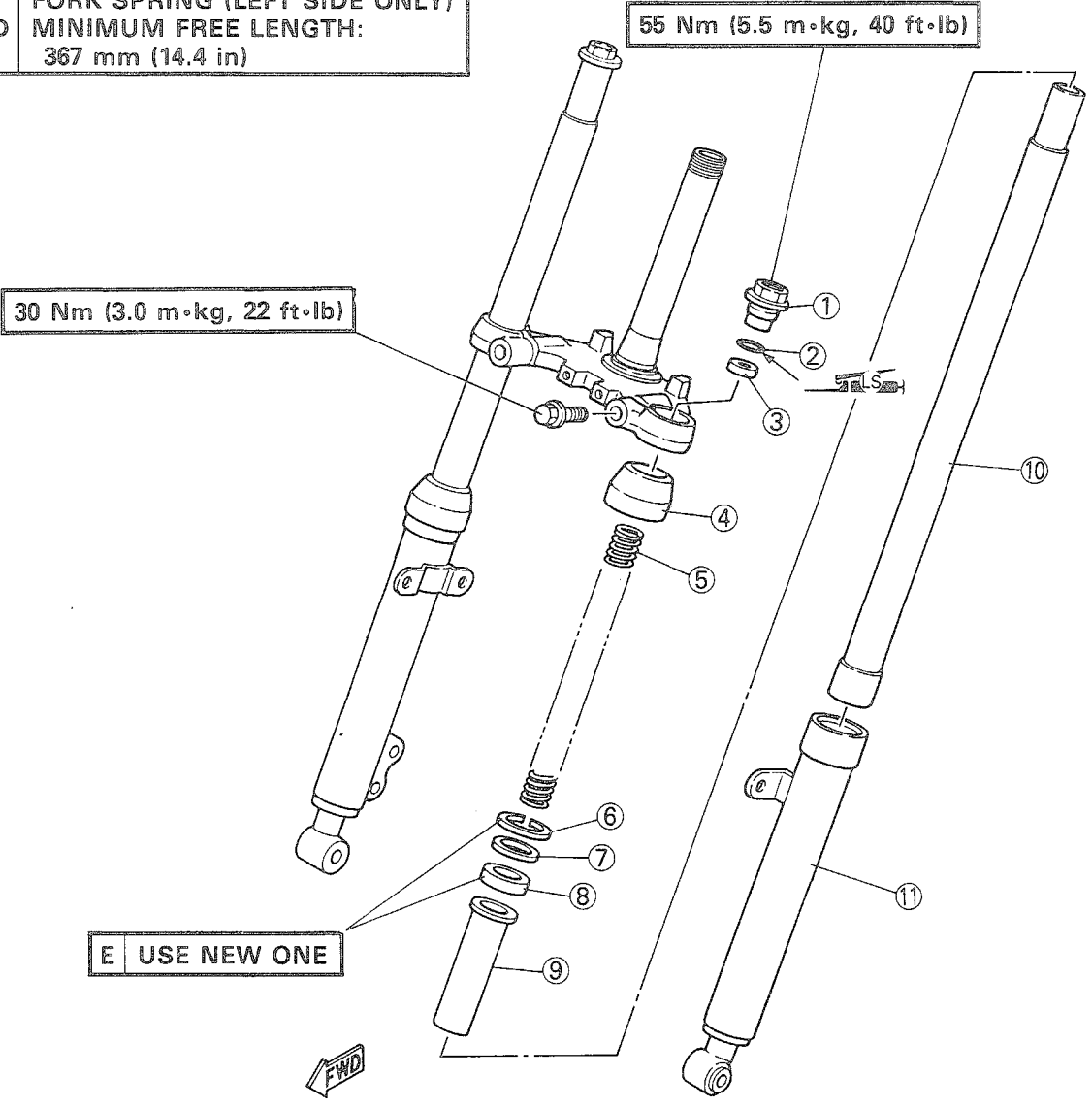
- a. Add proper brake fluid to the reservoir.
- b. Install diaphragm.
Be careful not to spill any fluid or allow the reservoir to overflow.
- c. Connect the clear plastic tube (4.5 mm (3/16 in) inside dia.) tightly to the caliper bleed screw ①.
- d. Place the other end of the tube into a container.
- e. Slowly apply the brake lever several times.
- f. Pull the lever in. Hold the lever in position.
- g. Loosen the bleed screw and allow the lever to travel towards its limit.
- h. Tighten the bleed screw when the lever limit has been reached; then release the lever.
- i. Repeat steps (e) to (h) until all of the air bubbles have been removed from the system.

FRONT FORK

- ① Cap bolt
- ② O-ring
- ③ Spring seat
- ④ Dust seal
- ⑤ Fork spring
- ⑥ Circlip
- ⑦ Plain washer
- ⑧ Oil seal
- ⑨ Slide metal
- ⑩ Inner tube
- ⑪ Outer tube

	LEFT	RIGHT
A FORK OIL CAPACITY:	126 cm ³ (4.44 Imp qt, 4.26 US qt)	164 cm ³ (5.77 Imp qt, 5.54 US qt)
B FORK OIL LEVEL:	146 mm (5.74 in)	51 mm (2.01 in)
FROM TOP OF THE INNER FORK TUBE FULLY COMPRESSED (WITHOUT SPRING)		
C FORK OIL GRADE:	YAMAHA FORK OIL 10WT OR EQUIVALENT	

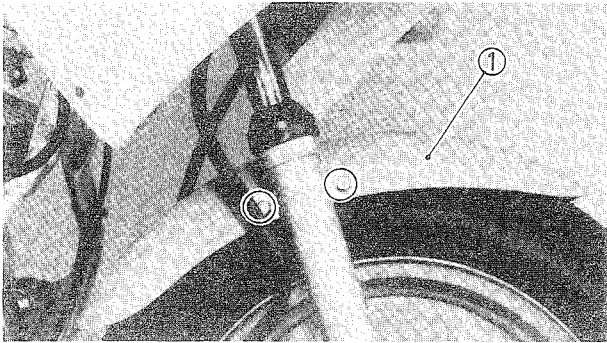
D FORK SPRING (LEFT SIDE ONLY) MINIMUM FREE LENGTH: 367 mm (14.4 in)



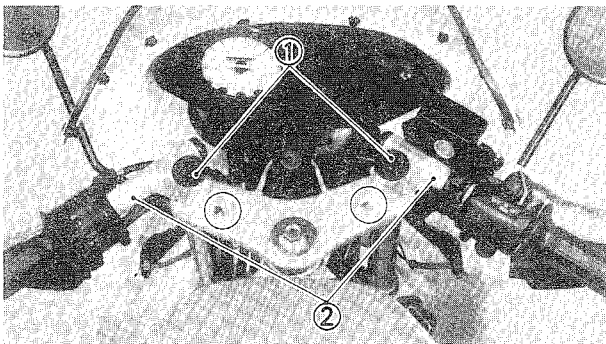
REMOVAL**WARNING:**

Support the motorcycle securely so there is no danger of it falling over.

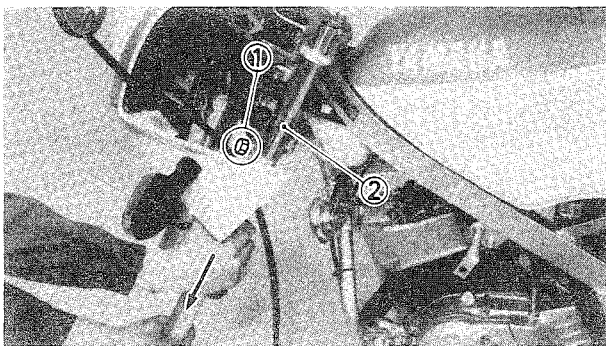
1. Remove:
 - Front wheel
Refer to "FRONT WHEEL—REMOVAL" section.



2. Remove:
 - Front fender (1)



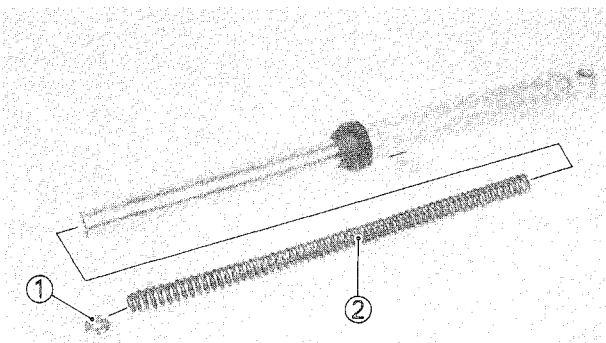
3. Remove:
 - Cap bolts (1)
 - Handlebars (2)



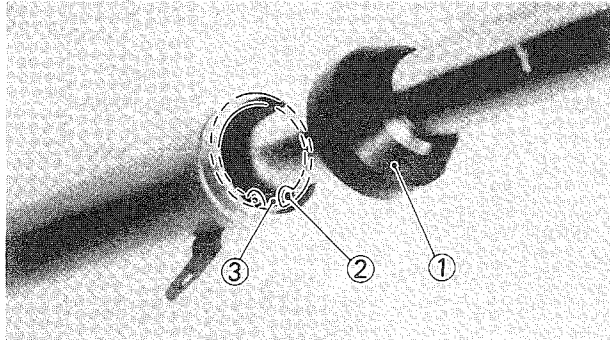
4. Loosen:
 - Pinch bolt (Lower) (1)
5. Remove:
 - Front fork (2)

CAUTION:

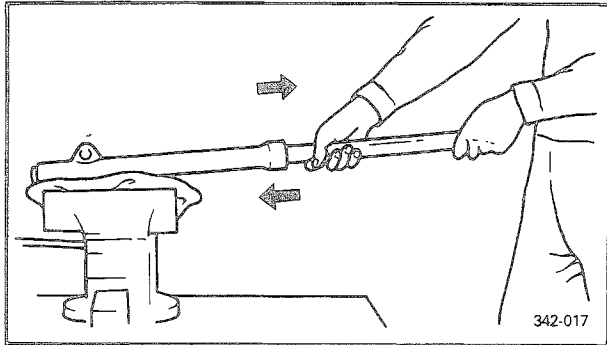
Support the fork before loosening the pinch bolt.

**DISASSEMBLY**

1. Remove:
 - Spring seat (1) (Left side only)
 - Fork spring (2) (Left side only)



2. Drain:
 - Fork oil
3. Remove:
 - Dust seal ①
 - Circlip ②
 - Plain washer ③



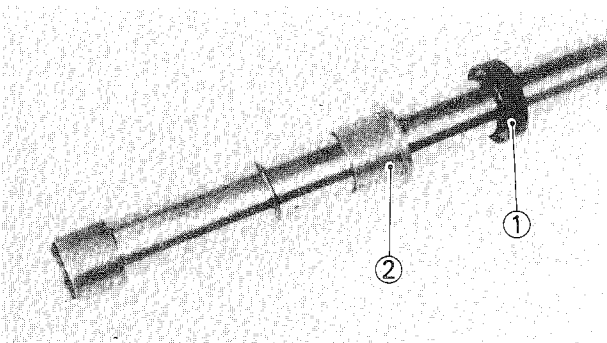
4. Remove:
 - Inner tube

Removal steps:

- Hold the fork leg horizontally.
- Pull out the inner fork tube from the outer tube by forcefully, but carefully, withdrawing the inner fork tube.

NOTE: _____

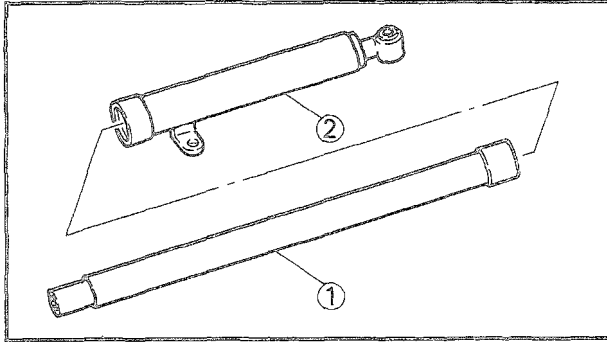
Avoid bottoming the inner tube in the outer tube during the above procedure, as the inner tube will be damaged.



5. Remove:
 - Oil seal ①
 - Slide metal ②

CAUTION: _____

Always replace the oil seal when disassembling the front fork.



INSPECTION

1. Inspect:

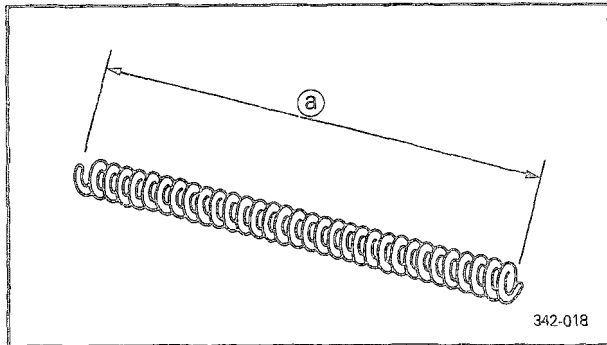
- Inner fork tube ①
- Outer fork tube ②
- Scratches/Bends/Damage → Replace.

WARNING

Do not attempt to straighten a bent inner fork tube as this may dangerously weaken the tube.


2. Inspect:

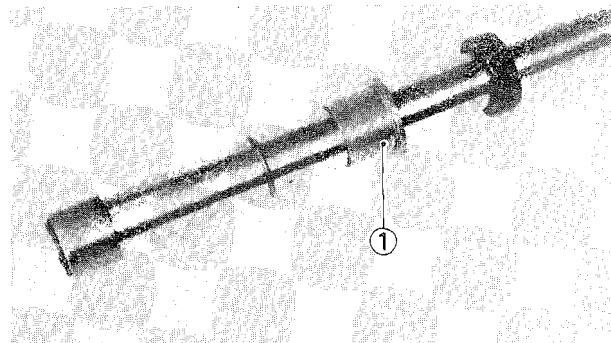
- Dust seal
- O-ring (Cap bolt)
- Scratches/Damage → Replace.



2. Measure:

- Fork spring free length ② (Left side only)
- Out of specification → Replace.

	Fork Spring Free Length:
	374.2 mm (14.7 in)
	Minimum Free Length:
	367 mm (14.4 in)



3. Inspect:

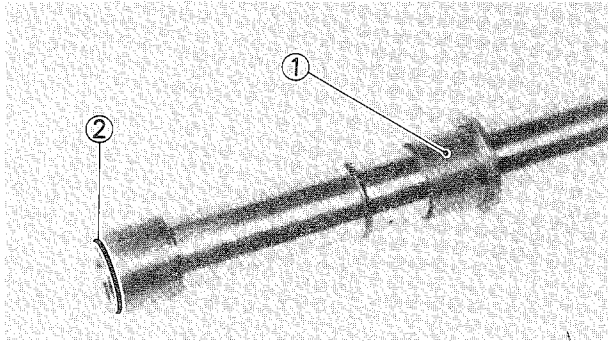
- Slide metal ①
- Scratches/Wear/Damage → Replace.

ASSEMBLY

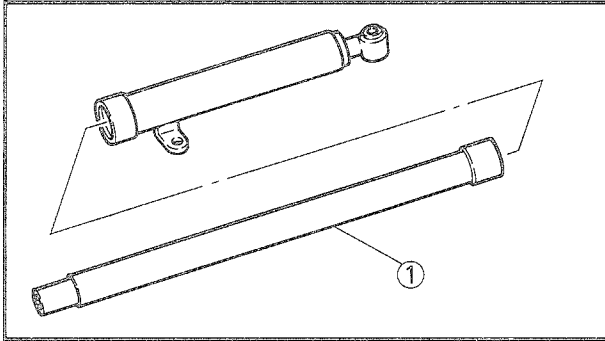
Reverse the disassembly procedure.
Note the following points.

NOTE: _____

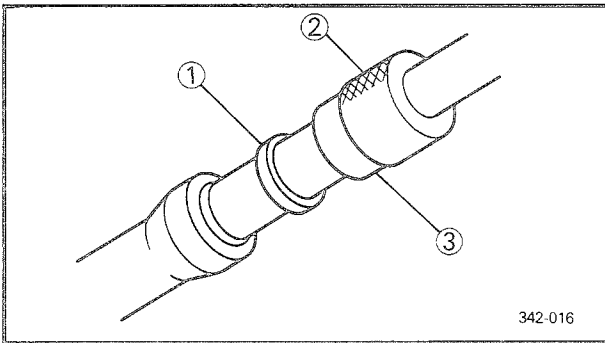
Be sure all components are clean before assembly.



1. Install:
 - Slide metal ①
 - Clip ②
 To inner tube.



2. Install:
 - Inner tube ①
 To outer tube.



3. Install:
 - Oil seal (New) ①


NOTE: _____

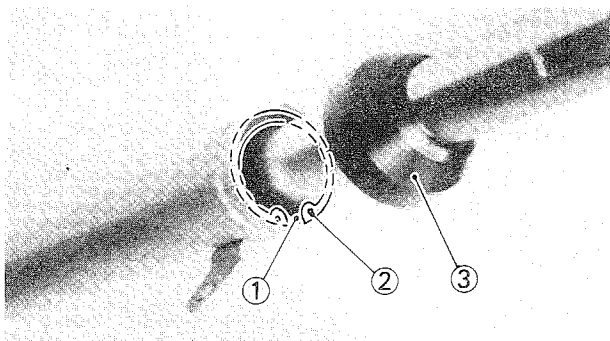
- Apply the lithium soap base grease onto the oil seal lip before installing the oil seal.
- Be sure oil seal numbered side face upward.

CAUTION: _____

- Take care not to damage the oil seal lip.
- Always use a new oil seal.

4. Press the oil seal into the inner tube with Fork Seal Driver ③ and Weight ②.

	Fork Seal Driver:
	YM-33281
	Weight:
	YM-33963



5. Install:
 - Plain washer ①
 - Circlip ②
 - Dust seal ③

6. Fill:
 ◦ Front fork



Fork Oil Capacity:

Left:

126 cm³ (4.44 Imp qt,
4.26 US qt)

Right:

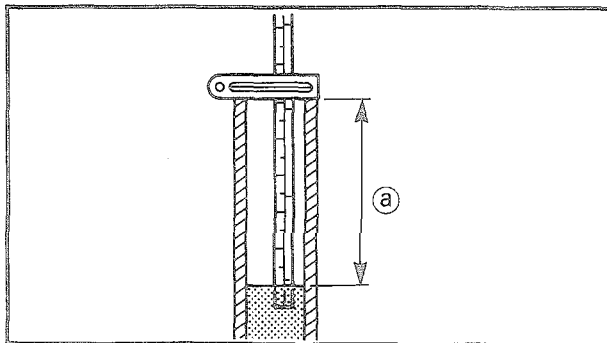
164 cm³ (5.77 Imp qt,
5.54 US qt)

Grade:

Yamaha Fork Oil 10WT or
Equivalent

NOTE:

After filling the front fork with fork oil, slowly pump the front fork up and down to distribute oil.



7. Measure:

- Oil level (a)

Out of specification → Add or reduce oil.



Oil Level:

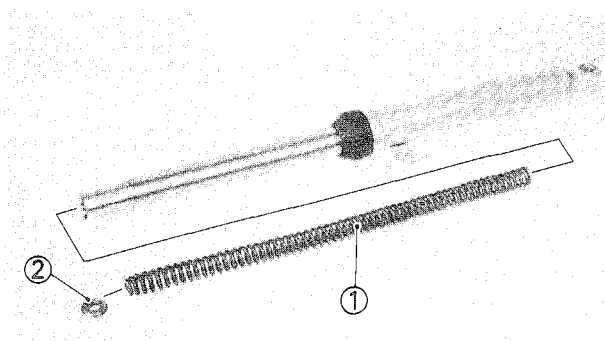
Left: 146 mm (5.74 in)

Right: 51 mm (2.01 in)

From the top of the inner fork tube fully compressed without spring.

NOTE:

Place the front fork on upright position.



8. Install:

- Fork spring ① (Left side only)
 ◦ Spring seat ② (Left side only)

NOTE:

Install the fork spring so that tapered side face upward.

**INSTALLATION**

Reverse the removal procedure.

Note the following points.

1. Install:
 - Front fork

**Pinch Bolt (Lower):****30 Nm (3.0 m•kg, 22 ft•lb)**

2. Install:
 - Handlebar
 - Cap bolt ①

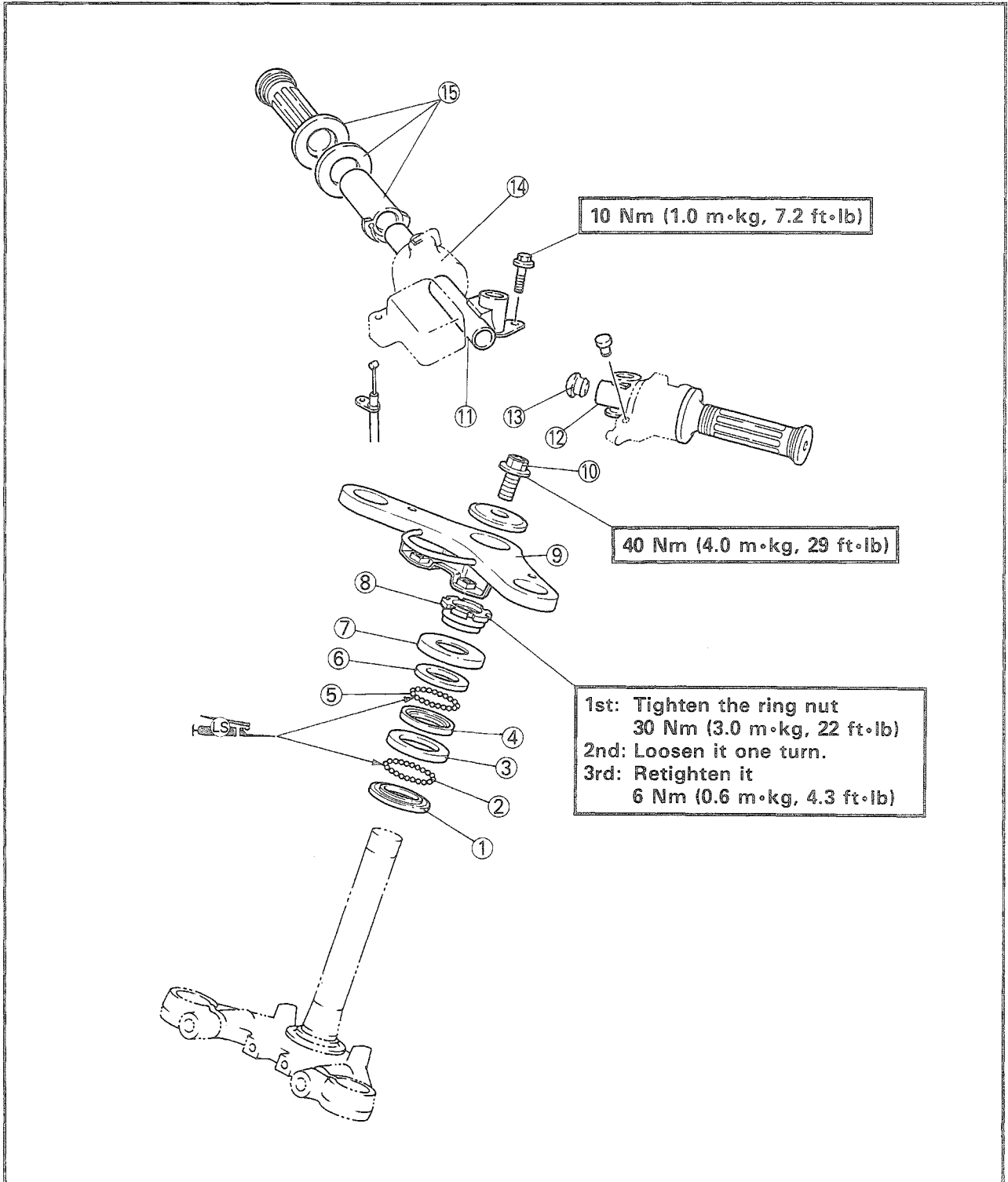
NOTE: _____

Apply the lithium soap base grease onto the O-ring.

**Bolt (Handlebar):****10 Nm (1.0 m•kg, 7.2 ft•lb)****Cap Bolt:****55 Nm (5.5 m•kg, 40 ft•lb)**

STEERING HEAD AND HANDLEBAR

- | | |
|-------------------------------|----------------------|
| ① Bearing race (Lower—Bottom) | ⑨ Handle crown |
| ② Ball (1/4 in—19 pcs.) | ⑩ Steering stem bolt |
| ③ Bearing race (Lower—Top) | ⑪ Handlebar (Right) |
| ④ Bearing race (Upper—Bottom) | ⑫ Handlebar (Left) |
| ⑤ Ball (3/16 in—22 pcs.) | ⑬ Cap |
| ⑥ Bearing race (Upper—Top) | ⑭ Throttle housing |
| ⑦ Bearing race cover | ⑮ Throttle grip |
| ⑧ Ring nut | |

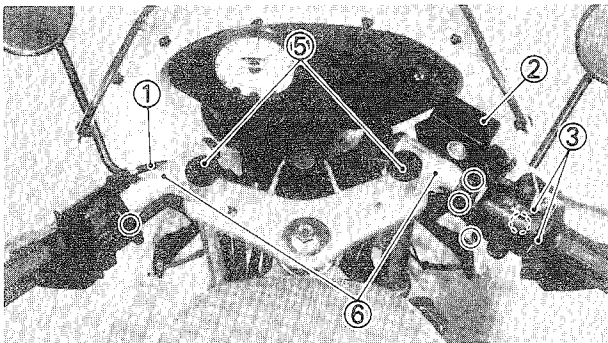


REMOVAL

WARNING:

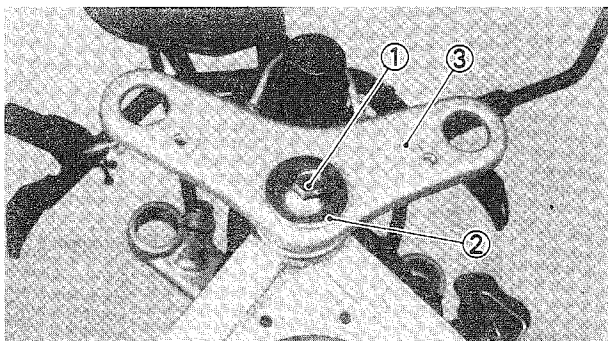
Securely support the motorcycle so there is no danger of it falling over.

1. Remove:
 - Lower cowling
 - Upper cowling
 Refer to "CHAPTER 3—COWLINGS" section.
2. Remove:
 - Front wheel
 Refer to "FRONT WHEEL—REMOVAL" section.

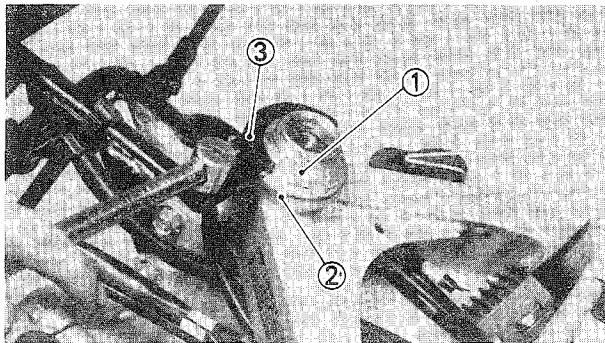


3. Disconnect:
 - Clutch cable ①
4. Remove:
 - Front brake master cylinder ②
 - Throttle grip ③
 - Handlebar switch (Left) ④
 - Cap bolts ⑤
 - Handlebars ⑥

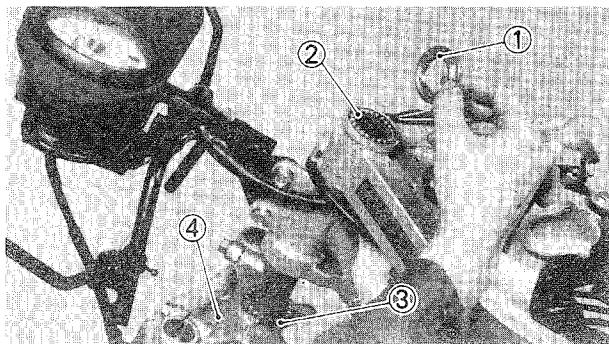
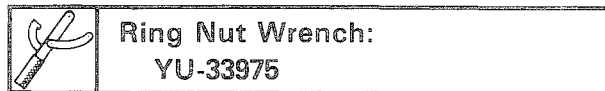
5. Remove:
 - Front forks
 Refer to "FRONT FORK—REMOVAL" section.



6. Remove:
 - Steering stem bolt ①
 - Washer ②
 - Handle crown ③



7. Remove:
- Ring nut ①
 - Ball race cover ②
- Use the Ring Nut Wrench ③.

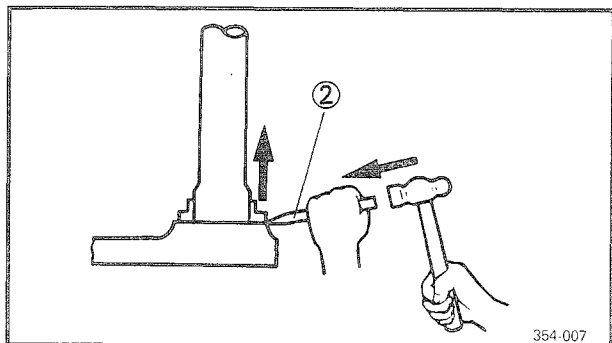
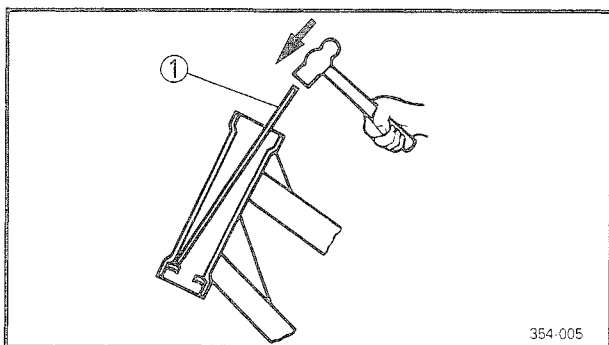


8. Remove:
- Ball race (Upper—Top) ①
 - Upper balls (3/16 in—22 pcs.) ②
 - Lower balls (1/4 in—19 pcs.) ③
 - Under bracket ④

INSPECTION

1. Wash the ball bearings and bearing races with a solvent.
2. Inspect:
 - Ball bearings
 - Bearing races
 Pitting/Damage → Replace.

NOTE: _____
 Always replace bearings and races as a set.



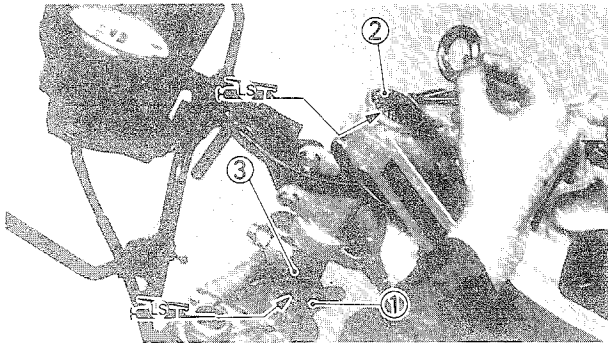
Bearing race replacement steps:

- Remove the bearing races on the head pipe using long rod ① and the hammer as shown.
- Remove the bearing race on the under bracket using the floor chisel ② and the hammer as shown.
- Install the new dust seal and races.

3. Inspect:
 - Handlebars
 - Bends/Cracks/Damage → Replace.

WARNING:

Do not attempt to straighten a bent handlebar as this may dangerously weaken the handlebar.



INSTALLATION

Reverse the removal procedure. Note the following points.

1. Apply:
 - Lithium soap base grease
 - To bearing races.
2. Install:
 - Upper balls ②
 - To bearing race (Upper—Bottom).
 - Lower balls ①
 - To bearing race (Lower—Bottom).
 - Arrange the bearings around race, and apply more grease.

Ball Quantity/Size
 Upper 22 pcs./ 3/14 in
 Lower 19 pcs./ 1/4 in

3. Install:
 - Under bracket ③

CAUTION:

Hold the under bracket until it is secured.



4. Tighten:
 - Ring nut

Ring nut tightening steps:

- Tighten the ring nut using the Ring Nut Wrench ①.



Ring Nut Wrench:
 YU-33975

NOTE: _____

Set the torque wrench to the ring nut wrench so that they form a right angle.



Ring Nut (Initial Tightening):
30 Nm (3.0 m•kg, 22 ft•lb)

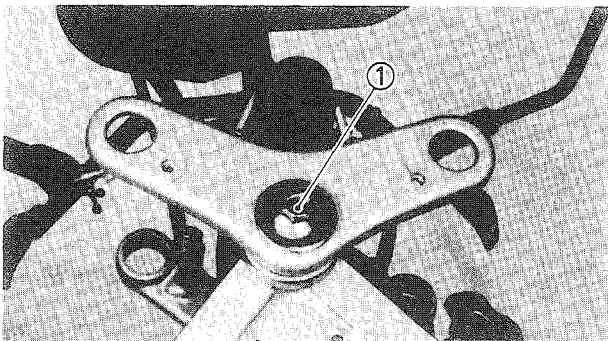
- Loosen the ring nut one turn.
- Retighten the ring nut using the Ring Nut Wrench.

WARNING: _____

Avoid over-tightening.



Ring Nut (Final Tightening):
6 Nm (0.6 m•kg, 4.3 ft•lb)



5. Install:
- Handle crown

NOTE: _____

Temporary tighten the steering fitting bolt ①.

6. Install:
- Front forks
- Refer to "FRONT FORK—INSTALLATION" section.



Pinch Bolt (Lower):
30 Nm (3.0 m•kg, 22 ft•lb)

7. Tighten:
- Steering stem bolt




Steering Stem Bolt:
40 Nm (4.0 m•kg, 29 ft•lb)

8. Install:
- Handlebars
 - Cap bolts

NOTE: _____


Before installing the right-hand handlebar onto the handle crown, apply a light coat of lithium soap base grease onto the handlebar end and install the throttle grip to the handlebar.

	Bolt (Handlebar): 10 Nm (1.0 m·kg, 7.2 ft·lb)
	Cap Bolt: 55 Nm (5.5 m·kg, 40 ft·lb):

9. Install:
- Front brake master cylinder

NOTE: _____

- Install the master cylinder bracket with the "UP" mark facing upward.
- Tighten first the upper bolt, then the lower bolt.


	Bolts (Master Cylinder Bracket): 10 Nm (1.0 m·kg, 7.2 ft·lb)
---	--

10. Install:
- Clutch cable


NOTE: _____

Apply a light coat of lithium soap base grease onto the clutch cable end.

11. Install:
- Front wheel
Refer to "FRONT WHEEL—REMOVAL" section.

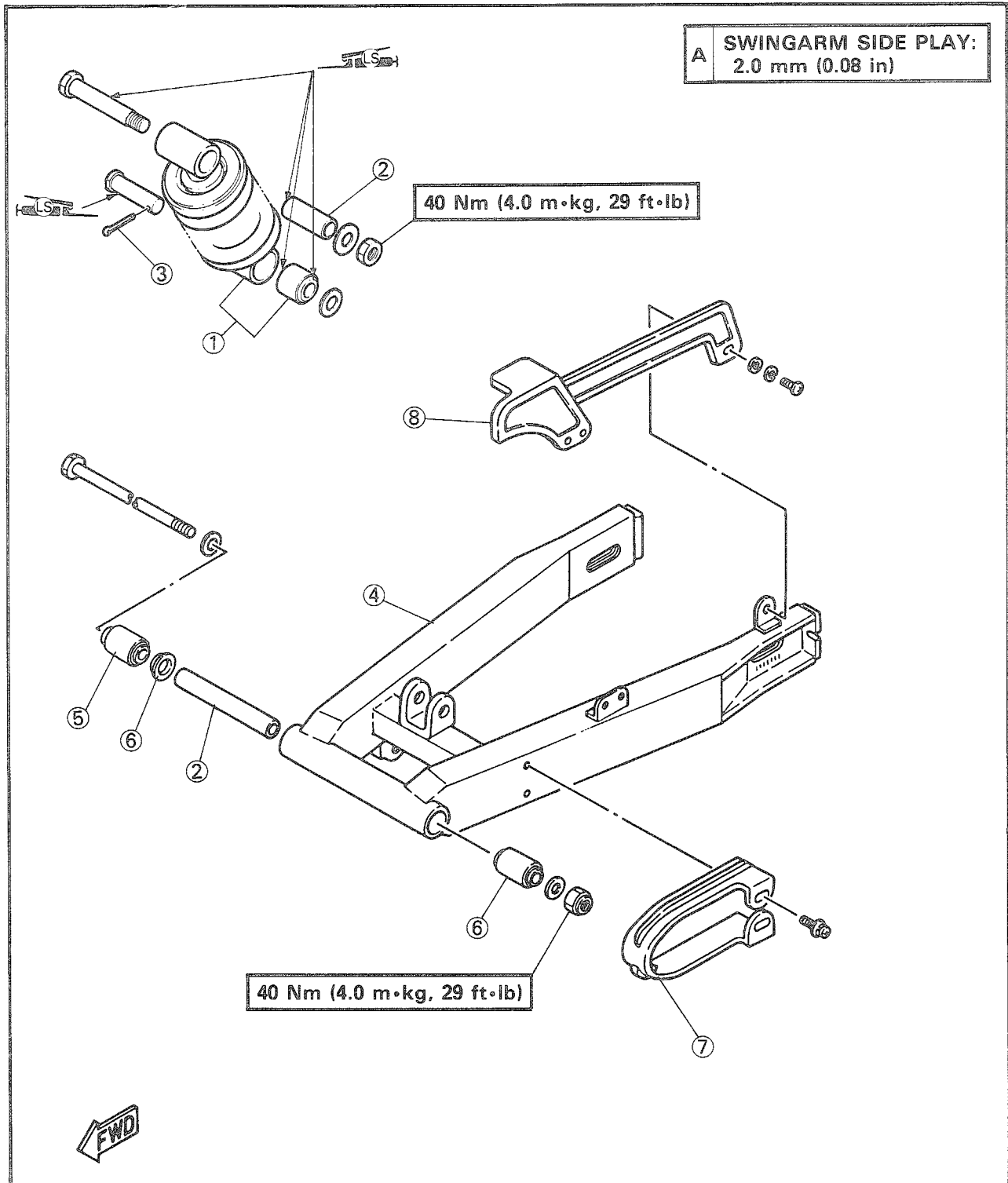
	Nut (Front Wheel Axle): 40 Nm (4.0 m·kg, 29 ft·lb)
---	--

12. Adjust:
- Clutch Cable Free Play

	Free Play: 2~3 mm (0.08~0.12 in)
---	--

REAR SHOCK ABSORBER AND SWINGARM

- ① Rear shock absorber
- ② Bush
- ③ Cotter pin
- ④ Swingarm
- ⑤ Push
- ⑥ Spacer
- ⑦ Chain support
- ⑧ Chain cover



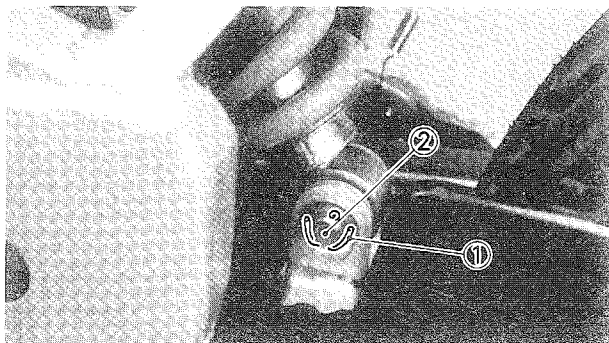
REMOVAL

WARNING

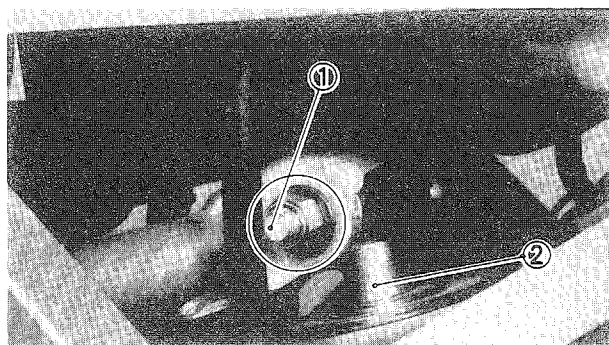
Securely support the motorcycle so there is no danger of it falling over.

Rear Shock Absorber

1. Remove:
 - Lower cowlings
Refer to "CHAPTER 3—COWLINGS" section.
2. Place a jack under the engine and elevate the motorcycle.



3. Remove:
 - Cotter pin ①
 - Plain washer
 - Pin (Rear shock absorber—Lower) ②



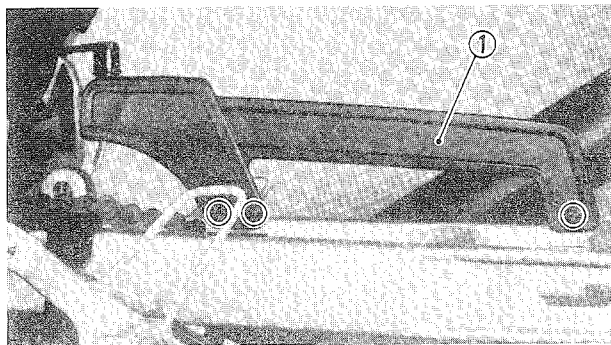
4. Remove:
 - Bolt (Rear shock absorber—Upper) ①
 - Rear shock absorber ②
 - Bush

Swingarm

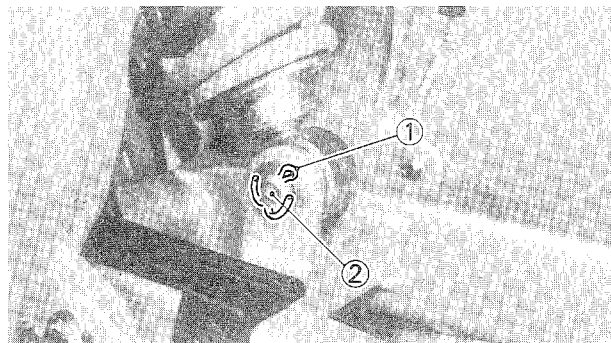
WARNING

Securely support the motorcycle so there is no danger of it falling over.

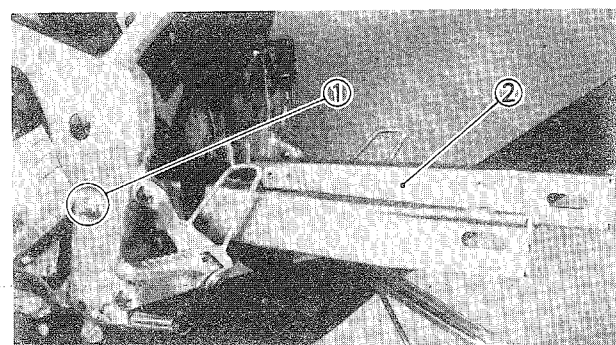
1. Remove:
 - Rear wheel
Refer to "REAR WHEEL—REMOVAL" section.



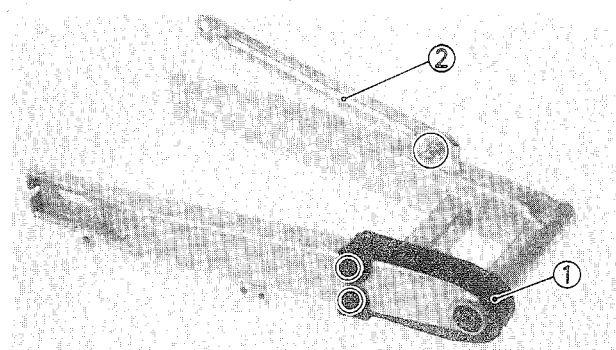
2. Remove:
- Chain cover ①



3. Remove:
- Cotter pin ①
 - Plain washer
 - Pin (Rear shock absorber – Lower) ②



4. Remove:
- Pivot shaft ①
 - Swingarm ②



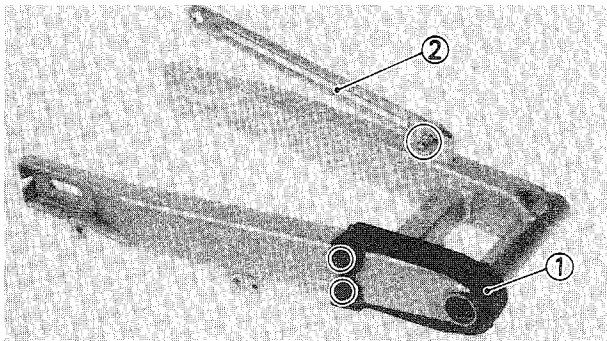
DISASSEMBLY

1. Remove:
- Chain guide ①
 - Tension bar ②

INSPECTION


1. Wash the bushes and swingarm pivot in a solvent.
2. Inspect:
 - Rear shock absorber
 - Oil leaks/Damage → Replace.

3. Inspect:
 - Swingarm
 - Bends/Cracks/Damage → Replace.
4. Inspect:
 - Bushes
 - Wear/Damage → Replace.
5. Inspect:
 - Chain guide
 - Excess wear/Damage → Replace.



ASSEMBLY

1. Install:
 - Chain guide ①
 - Tension bar ②

	Nut (Tension Bar): 19 Nm (1.9 m•kg, 13 ft•lb)
---	---

INSTALLATION

Swingarm


Reverse removal procedure.

Note the following points.

1. Install:
 - Swingarm

NOTE: _____

Apply the lithium soap base grease onto the pivot shaft.

	Nut (Pivot Shaft): 40 Nm (4.0 m•kg, 29 ft•lb)
---	---

2. Install:
 - Pin (Rear shock absorber—Lower)
 - Cotter pin


WARNING: _____

Always use a new cotter pin.

3. Install:

- Rear wheel


Refer to "REAR WHEEL – INSTALLATION" section.

	Nut (Rear Wheel Axle): 60 Nm (6.0 m•kg, 43 ft•lb)
	Nut (Tension Bar): 19 Nm (1.9 m•kg, 13 ft•lb)

4. Adjust:

- Brake pedal free play
- Drive chain slack

Refer to "CHAPTER 3 – REAR BRAKE ADJUSTMENT and DRIVE CHAIN ADJUSTMENT" section.

	Drive Chain Slack: 25 ~ 30 mm (1.0 ~ 1.2 in)
	Brake Pedal Free Play: 20 ~ 30 mm (0.8 ~ 1.2 in)


Rear Shock Absorber

Reverse the removal procedure.

Note the following points.

1. Install:

- Rear shock absorber

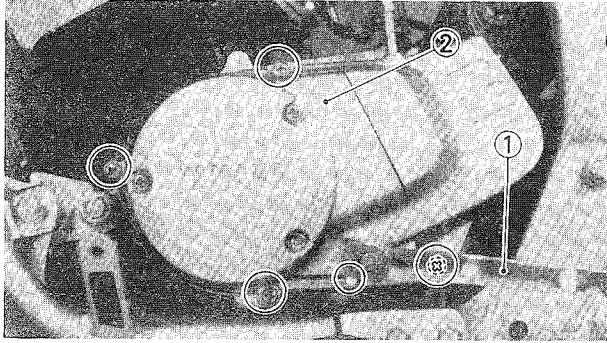
	Bolt (Rear Shock Absorber – Upper): 40 Nm (4.0 m•kg, 29 ft•lb)
---	--

NOTE:

Apply the lithium soap base grease onto the pin, bolt and oil seal lip.

WARNING:

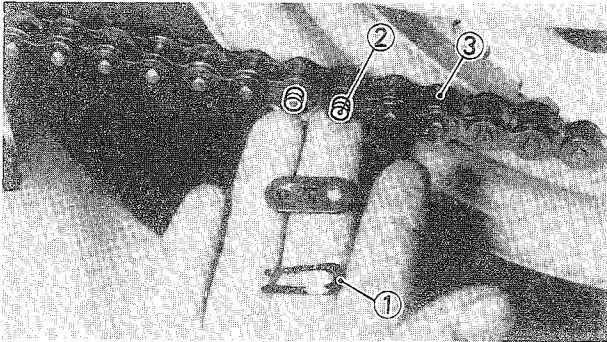
Always use a new cotter pin.



DRIVE CHAIN AND SPROCKETS REMOVAL

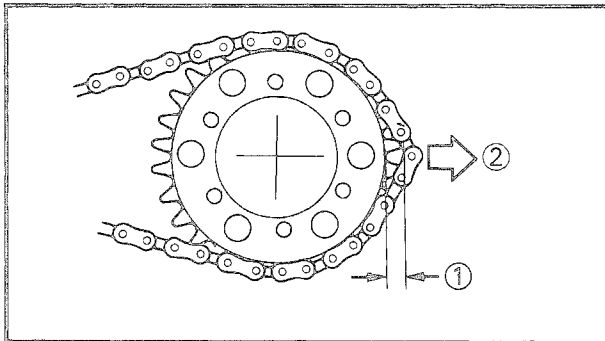
1. Remove:

- Change pedal ①
- Crankcase cover (Left) ②



2. Remove:

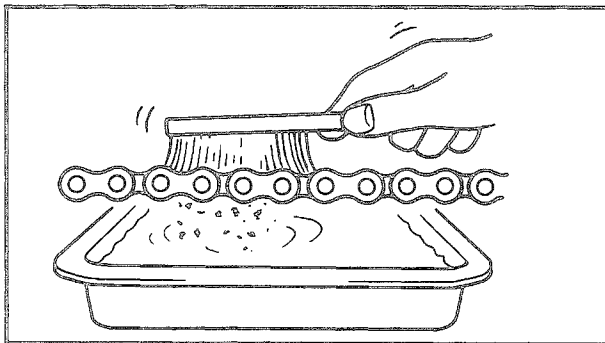
- Clip (Drive chain) ①
- Joint (Drive chain) ②
- Drive chain ③



INSPECTION

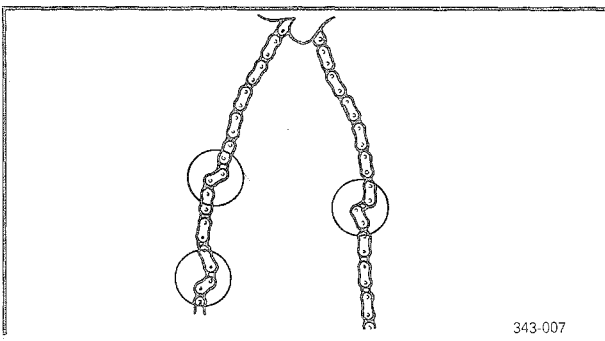
1. Check:

- Drive chain stretch
Pull ② the chain away from the driven sprocket.
Distance chain/sprocket higher than 1/2 tooth ① → Replace drive chain.



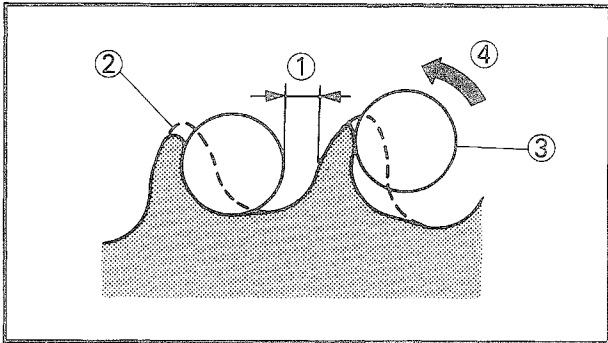
2. Clean:

- Drive chain
Place it in solvent, and brush off as much dirt as possible. Then remove the chain from the solvent and dry the chain.



3. Check:

- Drive chain stiffness
Clean and oil the chain and hold as illustrated.
Stiff → Replace drive chain.



4. Inspect:

- Drive and driven sprockets
- Wear/Damage → Replace.

- ① 1/4 tooth
- ② Correct
- ③ Roller
- ④ Slip off

Driven sprocket replacement steps:

- Straighten the lock washer tabs and remove the driven sprocket.
- Install a new driven sprocket and lock washers.

WARNING

Always use new lock washers.



Nut (Driven Sprocket):

35 Nm (3.5 m·kg, 25 ft·lb)

- Bend the lock washer tabs along the nut flats.

INSTALLATION

Reverse the removal steps.

Note the following points.

1. Install:

- Rear wheel

Refer to "CHAPTER 3—REAR WHEEL INSTALLATION" section.



Nut (Rear Wheel):

60 Nm (6.0 m·kg, 43 ft·lb)

Nut (Tension Bar):

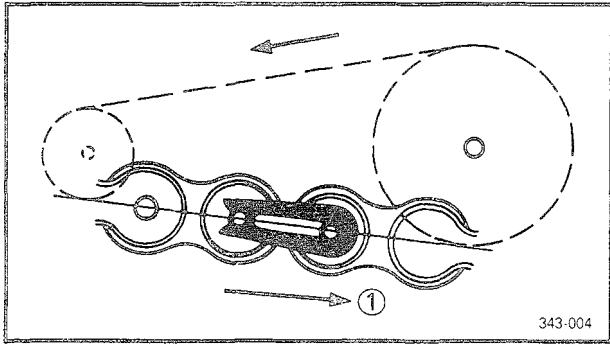
19 Nm (1.9 m·kg, 13 ft·lb)

2. Install:

- Drive sprocket
- Circlip

WARNING

Use a new circlip.



3. Install:
 - Drive chain
 - Joint (Drive chain)
 - Clip (Drive chain)

NOTE: During reassembly, the master link clip must be installed with the rounded end facing the direction of travel.

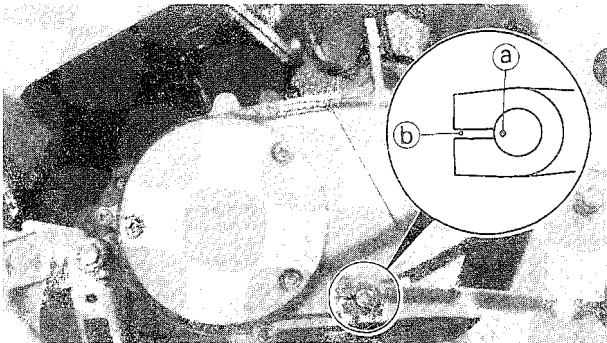
① Turning direction

4. Lubricate:
 - Drive chain



Chain Lube:
Yamaha Chain Lube or
Equivalent

5. Install:
 - Crankcase cover
 - Change pedal

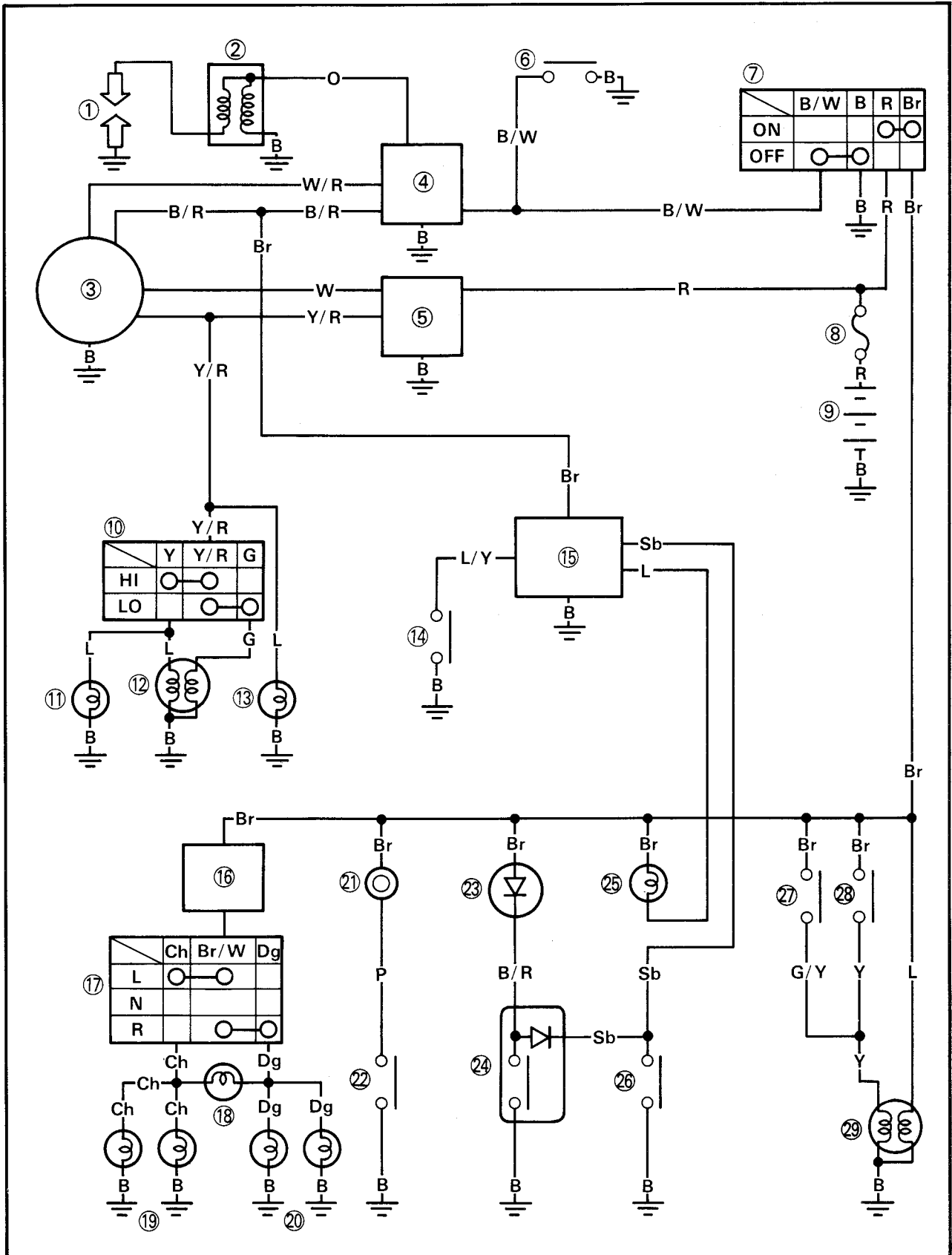


Screw (Crankcase Cover):
8 Nm (0.8 m·kg, 5.8 ft·lb)
Bolt (Change Pedal):
10 Nm (1.0 m·kg, 7.2 ft·lb)

NOTE: Align the punch mark (a) with slit (b).

ELECTRICAL

YSR50T CIRCUIT DIAGRAM



7

YSR50T CIRCUIT DIAGRAM



- ① Spark plug
- ② Ignition coil
- ③ CDI magneto
- ④ CDI unit
- ⑤ Rectifier/Regulator
- ⑥ "ENGINE STOP" switch
- ⑦ Main switch
- ⑧ Fuse
- ⑨ Battery
- ⑩ "LIGHTS" (Dimmer) switch
- ⑪ "HIGH BEAM" indicator light
- ⑫ Headlight
- ⑬ Meter light
- ⑭ Sidestand switch
- ⑮ Ignition control unit
- ⑯ Flasher relay
- ⑰ "TURN" switch
- ⑱ "TURN" indicator light
- ⑲ Flasher light (Left)
- ⑳ Flasher light (Right)
- ㉑ Horn
- ㉒ "HORN" switch
- ㉓ "OIL" warning indicator light
- ㉔ Oil level switch
- ㉕ "NEUTRAL" indicator light
- ㉖ Neutral switch
- ㉗ Front brake switch
- ㉘ Rear brake switch
- ㉙ Tail/Brake light

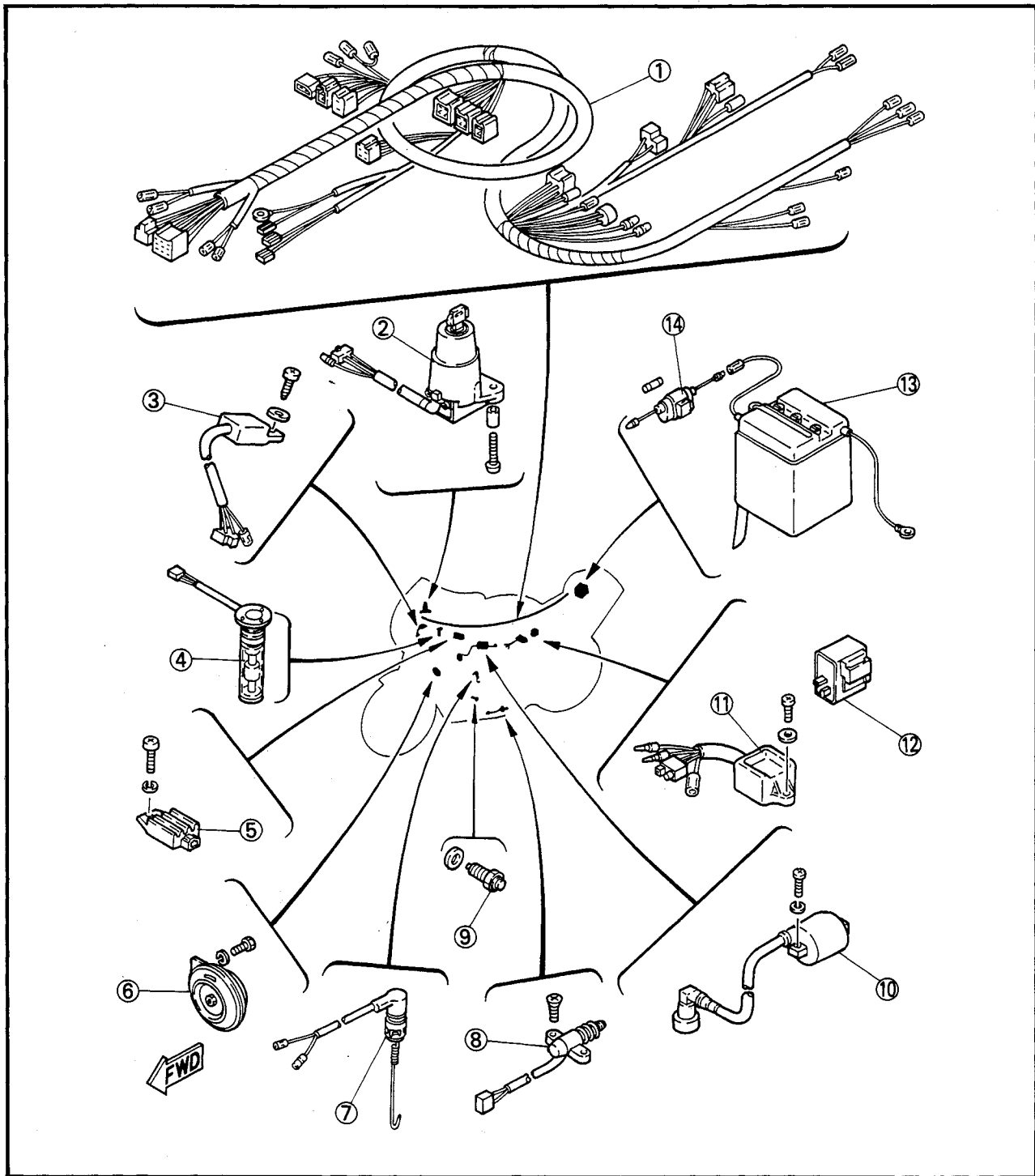
COLOR CODE

B	Black	P	Pink
R	Red	Sb	Sky blue
Br	Brown	B/R	Black/Red
O	Orange	B/W	Black/White
W	White	W/R	White/Red
L	Blue	Br/W	Brown/White
G	Green	G/Y	Green/Yellow
Y	Yellow	Y/R	Yellow/Red
Dg	Dark green	L/Y	Blue/Yellow
Ch	Chocolate		

ELECTRICAL COMPONENTS

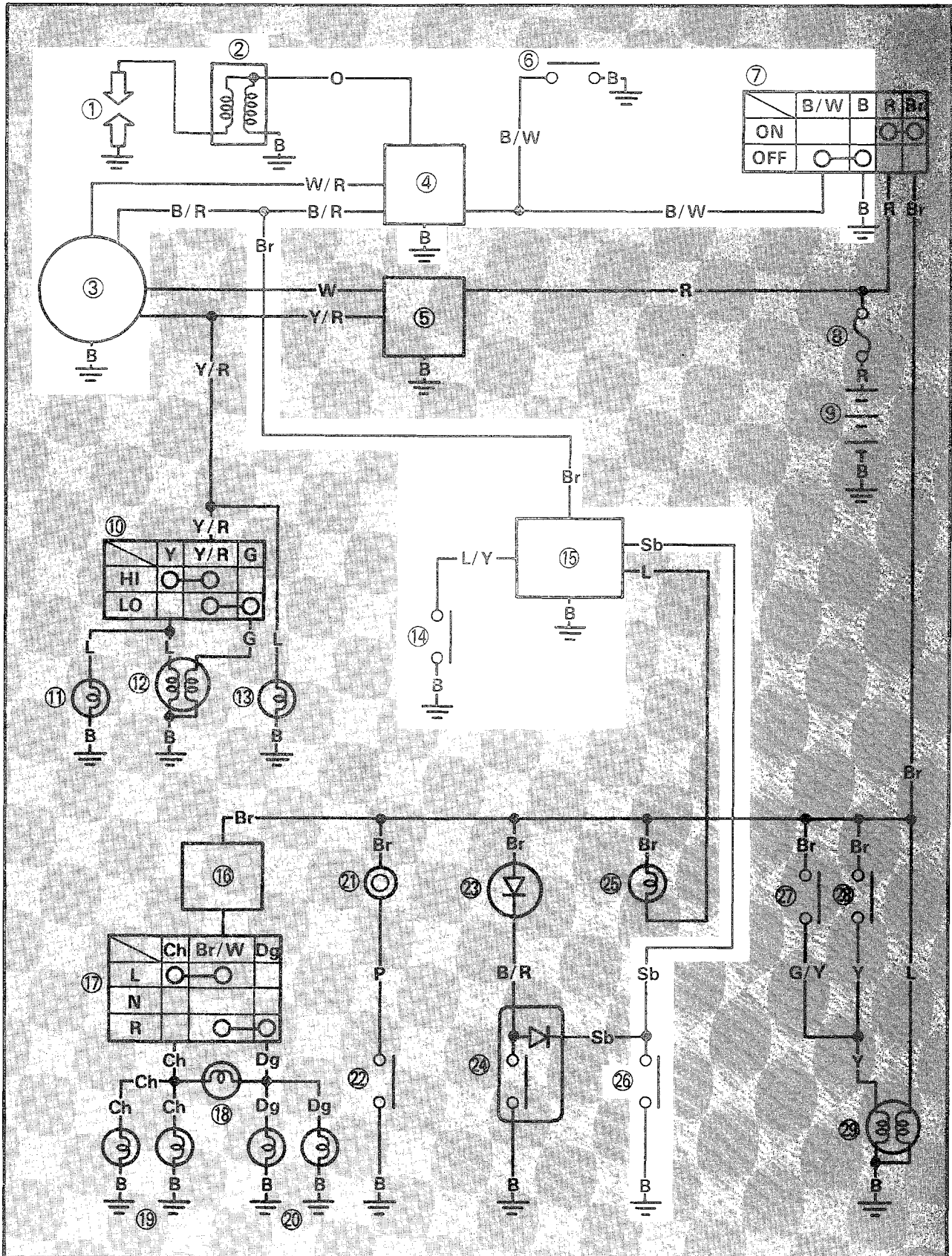
- | | |
|-------------------------|--------------------|
| ① Wireharness | ⑧ Sidestand switch |
| ② Main switch | ⑨ Neutral switch |
| ③ Ignition control unit | ⑩ Ignition coil |
| ④ Oil level switch | ⑪ CDI unit |
| ⑤ Rectifier/Regulator | ⑫ Flasher relay |
| ⑥ Horn | ⑬ Battery |
| ⑦ Rear brake switch | ⑭ Fuse |

BATTERY:
CAPACITY 6V 4AH
SPECIFIC GRAVITY 1.280
IGNITION COIL:
PRIMARY COIL
 0.7 ~ 1.1Ω at 20°C (68°F)
SECONDARY COIL
 5.7 ~ 8.5kΩ at 20°C (68°F)



IGNITION AND STARTING SYSTEM

Below circuit diagram shows ignition and starting system.



IGNITION AND STARTING SYSTEM

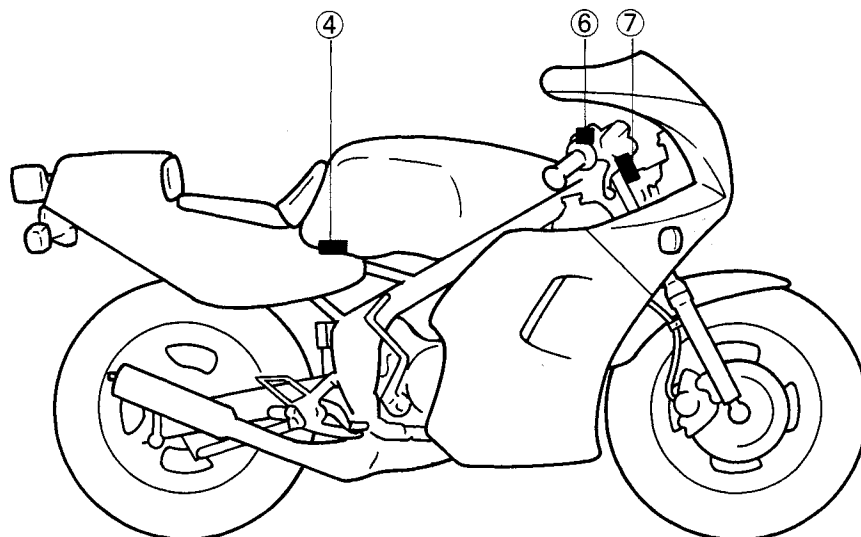
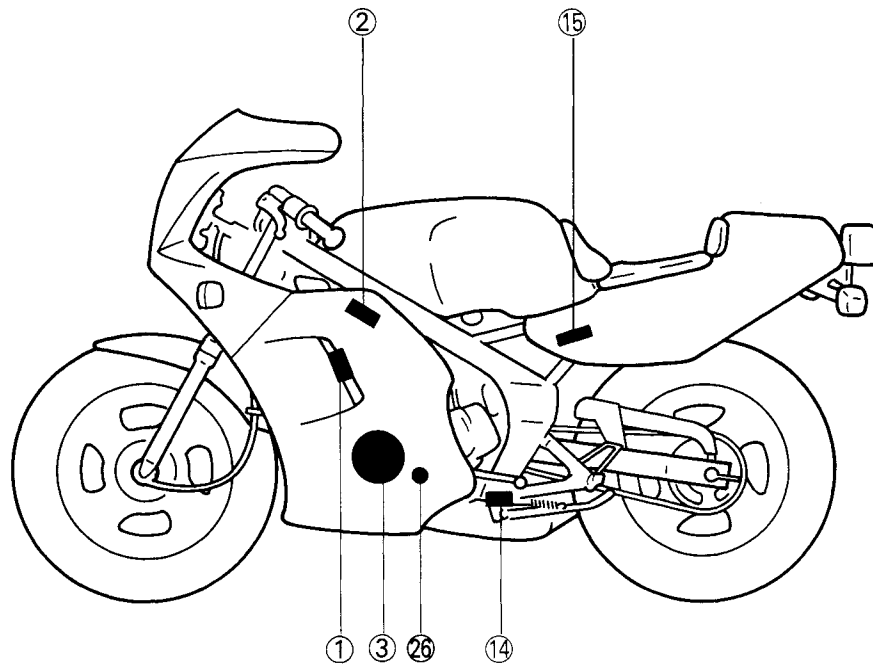
ELEC



NOTE: _____

For the color codes, see page 7-2.

- ① Spark plug
- ② Ignition coil
- ③ CDI magneto
- ④ CDI unit
- ⑥ "ENGINE STOP" switch
- ⑦ Main switch
- ⑭ Sidestand switch
- ⑮ Ignition control unit
- ⑯ Neutral switch

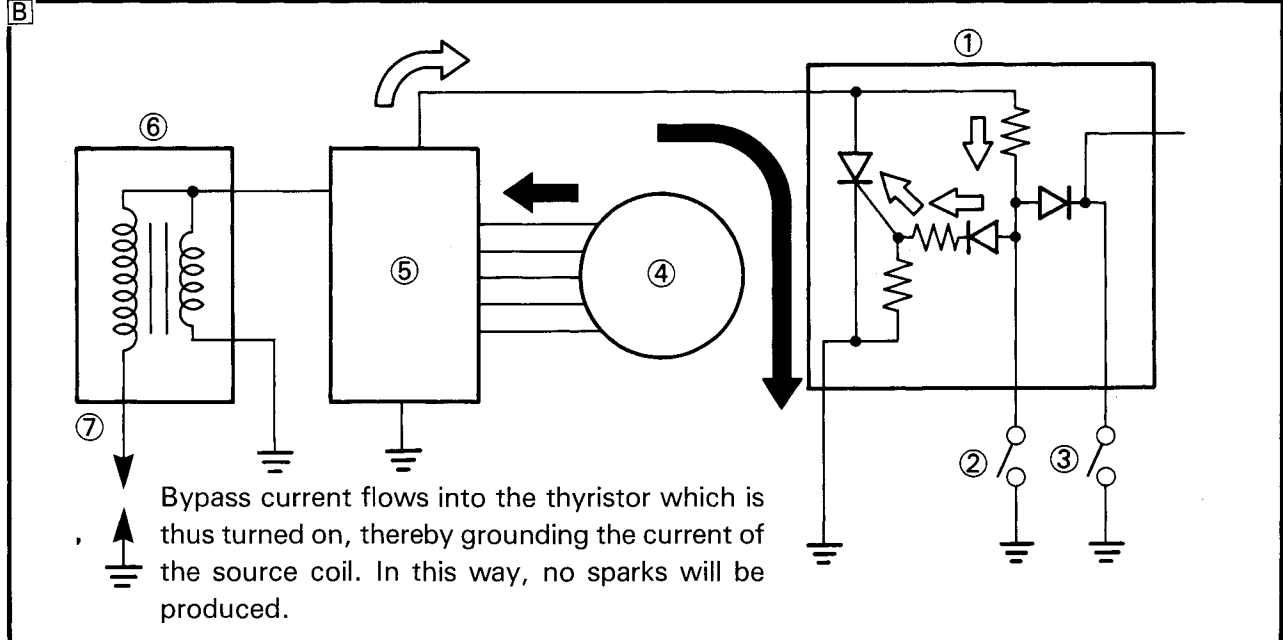
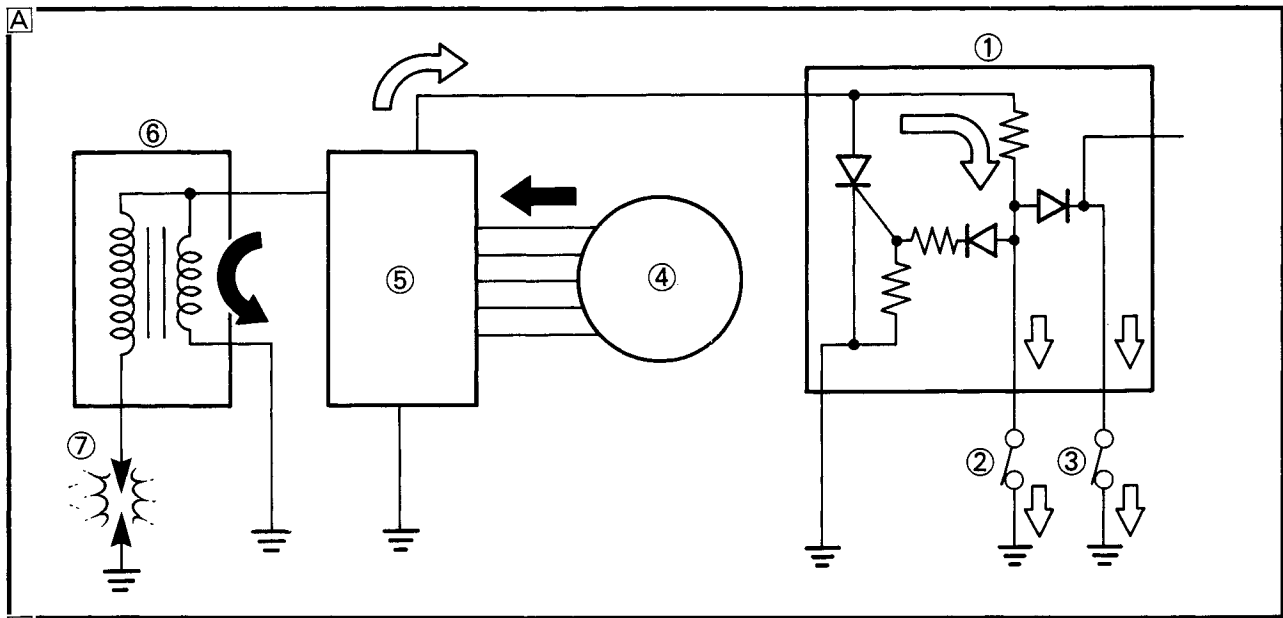


IGNITION CONTROL CIRCUIT OPERATION

The ignition control circuit on this model consists of the ignition control unit, neutral switch, neutral indicator light, and the sidestand switch. If the engine stop switch and the main switch are both on, the ignition spark can produce only if:

1. The transmission is in neutral (the neutral switch is on).
2. The sidestand is up (the sidestand switch is on).

	Transmission (Neutral switch)	Sidestand (Sidestand switch)	Spark plug
A	Neutral (close)	Up (close)	Spark
A	Neutral (close)	Down (open)	Spark
A	IN gear (open)	Up (close)	Spark
B	IN gear (open)	Down (open)	No spark



- | | |
|--|--|
| <ul style="list-style-type: none"> ① Ignition control unit ② Sidestand switch ③ Neutral switch ④ CDI magneto | <ul style="list-style-type: none"> ⑤ CDI unit ⑥ Ignition coil ⑦ Spark plug ⑧ Thyristor |
|--|--|
- ⇐ Bypass current
⇐ Current of source coil



TROUBLESHOOTING

IF IGNITION SYSTEM SHOULD BECOME INOPERATIVE (NO SPARK OR INTERMITTENT SPARK).

Procedure (1)

Check;

- | | |
|--|--|
| <ol style="list-style-type: none"> 1. Spark plug 2. Ignition spark gap 3. Ignition circuit 4. Main switch 5. Spark plug cap resistance 6. "ENGINE STOP" switch | <ol style="list-style-type: none"> 7. Ignition coil resistance 8. Pick-up coil resistance 9. Source coil resistance 10. Wiring connection
(Entire ignition system) |
|--|--|

NOTE:

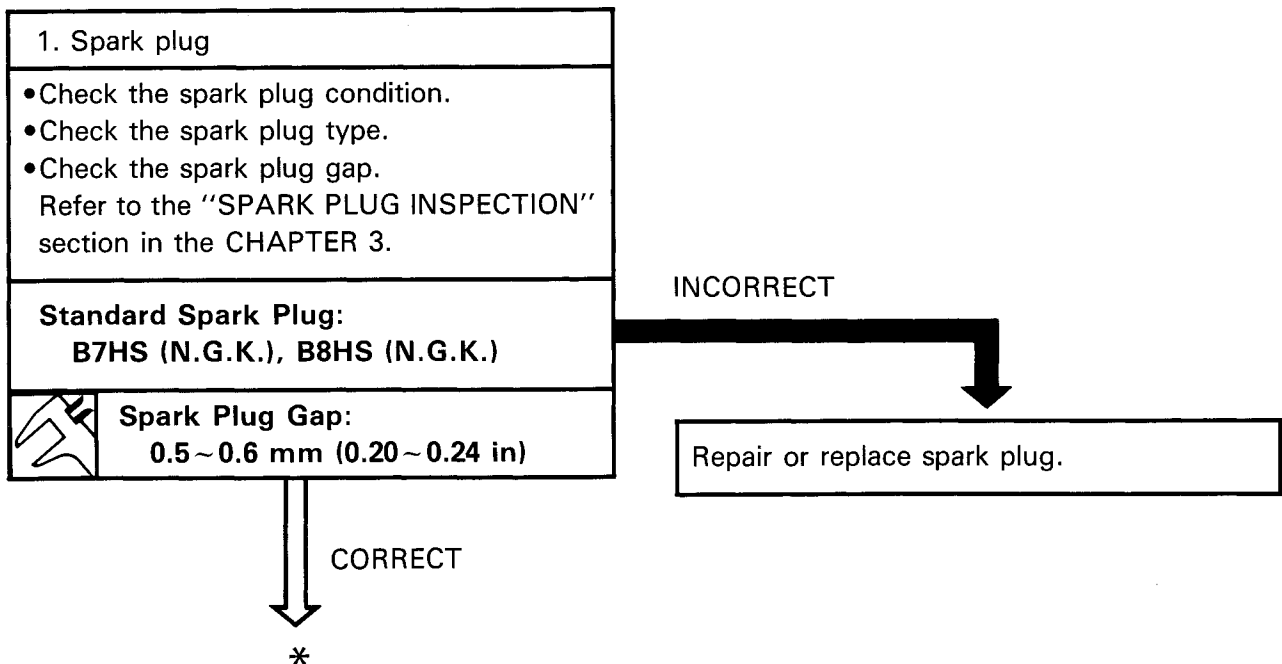
- Remove the following parts before troubleshooting.
 - 1) Lower cowling
 - 2) Upper cowling
 - 3) Seat
 - 4) Side cover
 - 5) Fuel tank
- Use the following special tool(s) in this troubleshooting.



Coil Tester:
YU-33261



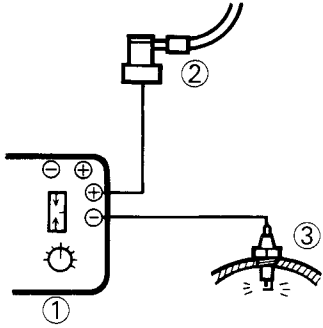
Pocket Tester:
YU-03112





2. Ignition spark gap

- Connect the Coil Tester ① as shown.
- ② Spark plug cap
- ③ Spark plug



MEETS SPECIFICATION

Ignition system is good.

- Start the engine, and increase the spark gap until misfire occurs.

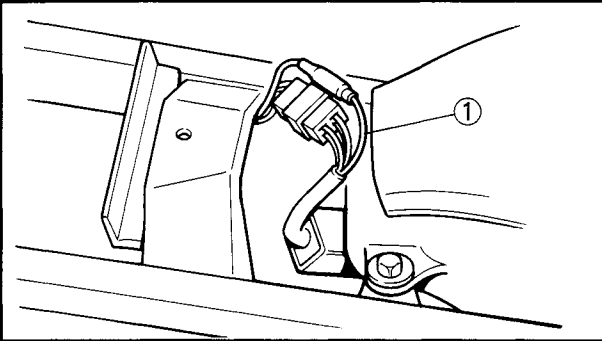


Minimum Spark Gap:
6 mm (0.24 in)

OUT OF SPECIFICATION
OR NO SPARK

3. Ignition circuit

- Disconnect the ignition control unit lead ① (Brown).
- Start the engine.



ENGINE STARTS (SPARK)

Starting circuit is faulty, go to "Procedure (2)".

ENGINE DOES
NOT START

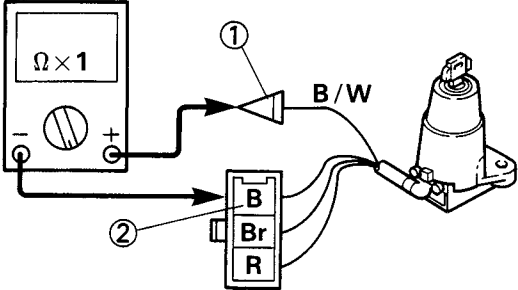




4. Main switch

- Disconnect the main switch coupler (Red, Brown and Black) and lead (Black/White) from the wireharness.
- Connect the Pocket Tester ($\Omega \times 1$) to the main switch.

Tester (+) Lead → Black/White ① Lead
Tester (-) Lead → Black ② Lead.



- Turn the main switch to "ON" and "OFF".
- Check the main switch for continuity.

Switch position	Good condition	Bad condition		
OFF	○	×	×	○
ON	×	○	×	○

○: Continuity ×: Nocontinuity

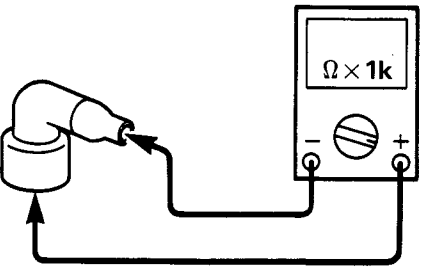
BAD CONDITION

Main switch is faulty, replace it.

GOOD CONDITION

5. Spark plug cap resistance

- Remove the spark plug cap.
- Connect the pocket Tester ($\Omega \times 1k$) to the spark plug cap.



IGNITION AND STARTING SYSTEM



•Check the spark plug cap for specified resistance.

Spark Plug Cap Resistance:
4 ~ 6k Ω at 20°C (68°F)

OUT OF SPECIFICATION

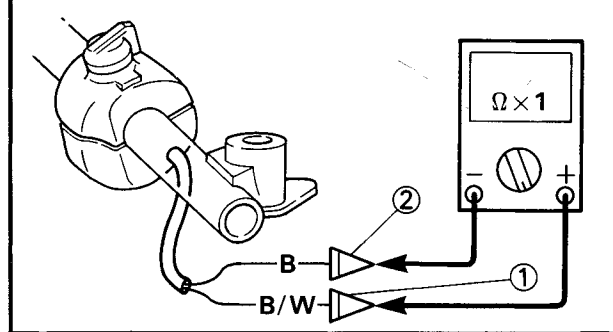
Spark plug cap is faulty, replace it.

MEETS SPECIFICATION

6. "ENGINE STOP" switch

- Disconnect the "ENGINE STOP" switch leads (Black/White and Black) from the wireharness.
- Connect the Pocket Tester ($\Omega \times 1$) to the "ENGINE STOP" switch.

Tester (+) Lead \rightarrow Black/White ① Lead
Tester (-) Lead \rightarrow Black ② Lead



- Turn the "ENGINE STOP" switch to "OFF" and "RUN".
- Check the "ENGINE STOP" switch for continuity.

BAD CONDITION

"ENGINE STOP" switch is faulty, replace it.

Switch position	Good condition	Bad condition		
RUN	×	○	×	○
OFF	○	×	×	○

○: Continuity ×: Nocontinuity

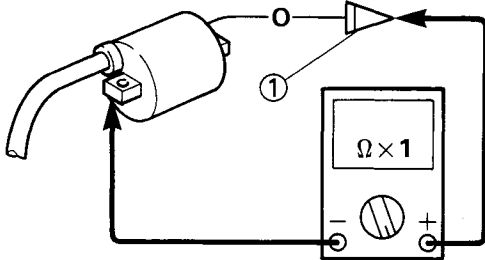
GOOD CONDITION

7. Ignition coil resistance

- Disconnect the ignition coil lead (Orange) from the wireharness.
- Connect the Pocket Tester ($\Omega \times 1$) to the ignition coil.



Tester (+) Lead → Orange ① Lead
 Tester (-) Lead → Ignition Coil Base



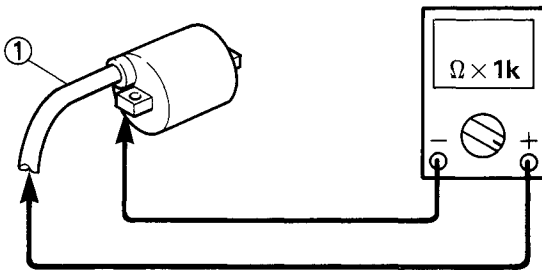
- Check the primary coil for specified resistance.



Primary Coil Resistance:
 0.7 ~ 1.1Ω at 20°C (68°F)
 (Orange—Coil Base)

- Connect the Pocket Tester (Ω × 1k) the ignition coil.

Tester (+) Lead → Spark Plug Lead ①
 Tester (-) Lead → Ignition Coil Base



- Check the secondary coil for specified resistance.



Secondary Coil Resistance:
 5.7 ~ 8.5kΩ at 20°C (68°F)
 (Spark Plug Lead—Coil Base)

OUT OF SPECIFICATION

Ignition coil is faulty, replace it.

BOTH MEET SPECIFICATIONS

8. Pickup coil resistance

- Disconnect the CDI magneto lead (White/Red) and coupler (Sky blue, White, Black and Yellow/Red) from the wireharness.
- Connect the Pocket Tester (Ω × 10) to the pickup coil leads.



Tester (+) Lead → White/Red ① Lead
 Tester (-) Lead → Black ② Lead

• Check the pickup coil for specified resistance.

Pickup Coil Resistance:
 16 ~ 24Ω at 20°C (68°F)
 (White/Red – Black)

OUT OF SPECIFICATION

Pickup coil is faulty, replace it.

MEETS SPECIFICATION

9. Source coil resistance

- Disconnect the CDI magneto lead (Black/Red) and coupler (Sky blue, White, Black and Yellow/Red) from the wireharness.
- Connect the Pocket Tester (Ω × 100) to the source coil leads.

Tester (+) Lead → Black/Red ① Lead
 Tester (-) Lead → Black ② Lead

• Check the source coil for specified resistance.

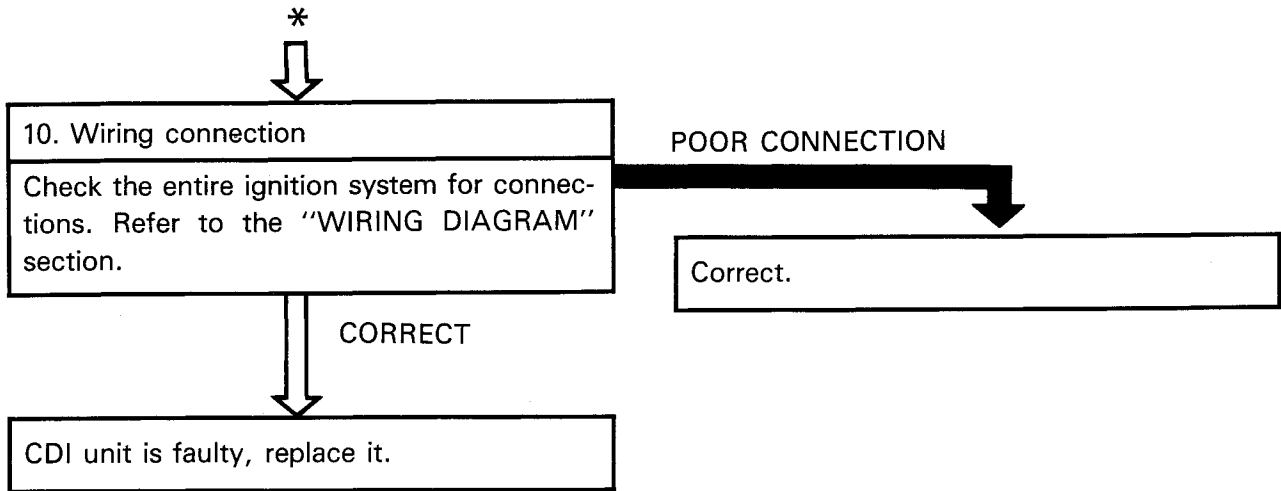
Source Coil Resistance:
 264 ~ 396Ω at 20°C (68°F)
 (Black/Red – Black)

OUT OF SPECIFICATION

Source coil is faulty, replace it.

MEETS SPECIFICATION

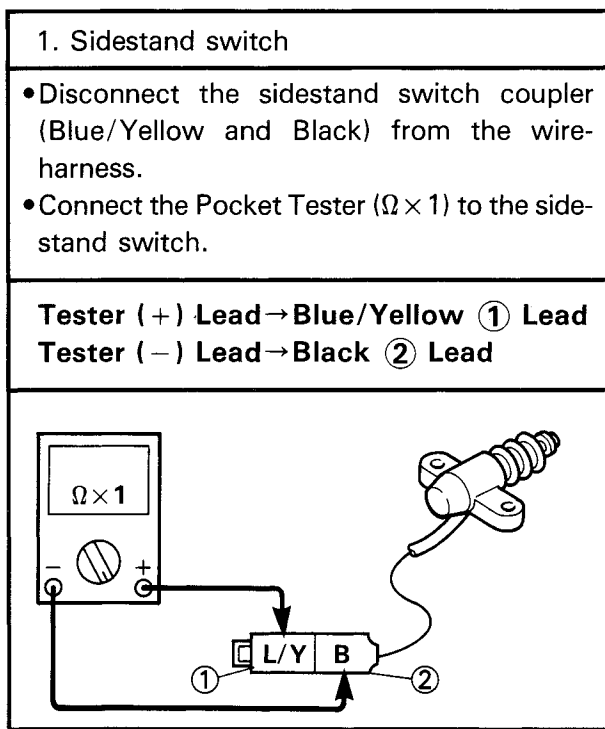
*



Procedure (2)

Check;

1. Sidestand switch
2. Neutral switch
3. Wiring connection
(Entire starting system)



IGNITION AND STARTING SYSTEM



- Move the sidestand to up position and down position.
- Check the sidestand switch for continuity.

Sidestand position	Good condition			Bad condition		
	○	×	○	×	×	○
Up	○	×	×	×	×	○
Down	×	○	○	×	×	○

○: Continuity ×: Nocontinuity

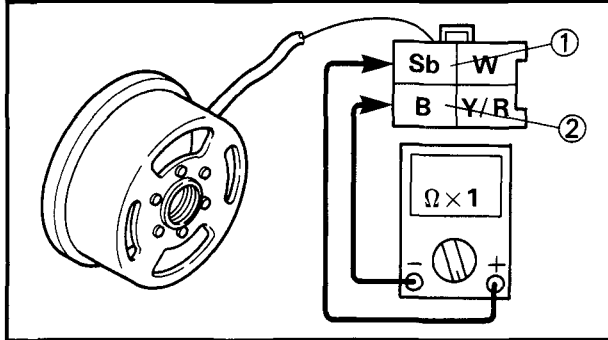
BAD CONDITION

Sidestand switch is faulty, replace it.

GOOD CONDITION

2. Neutral switch
- Disconnect the CDI magneto coupler (Sky blue, White, Black and Yellow/Red) from the wireharness.
 - Connect the Pocket Tester ($\Omega \times 1$) to the neutral switch leads.

Tester (+) Lead → Sky blue ① Lead
 Tester (-) Lead → Black ② Lead.



- Shift the transmission in neutral and gear.
- Check the neutral switch for continuity.

Transmission position	Good condition			Bad condition		
	○	×	○	×	×	○
Neutral	○	×	×	×	×	○
Gear	×	○	○	×	×	○

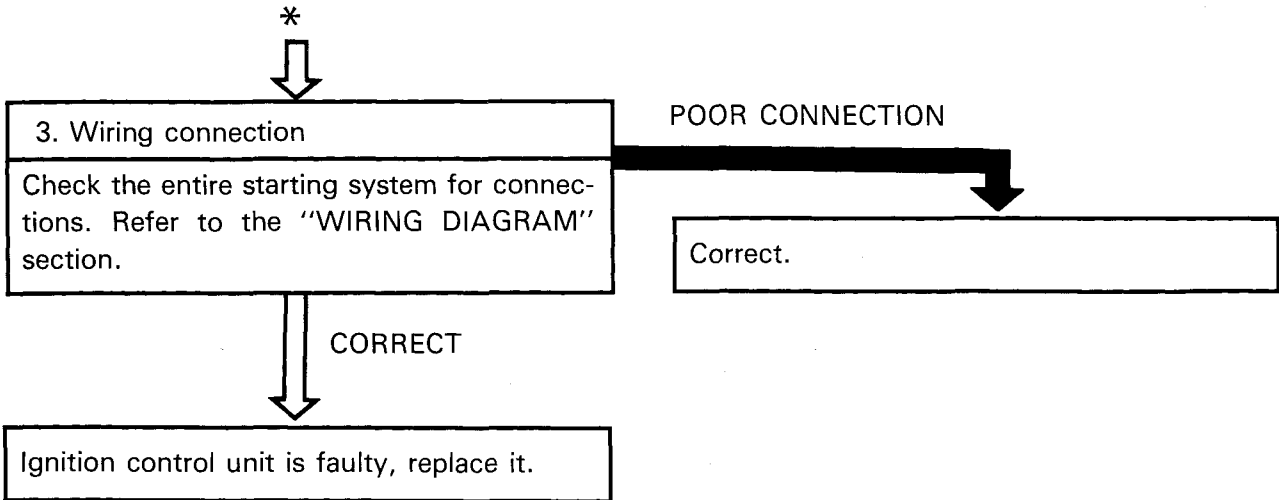
○: Continuity ×: Nocontinuity

BAD CONDITION

Neutral switch is faulty, replace it.

GOOD CONDITION

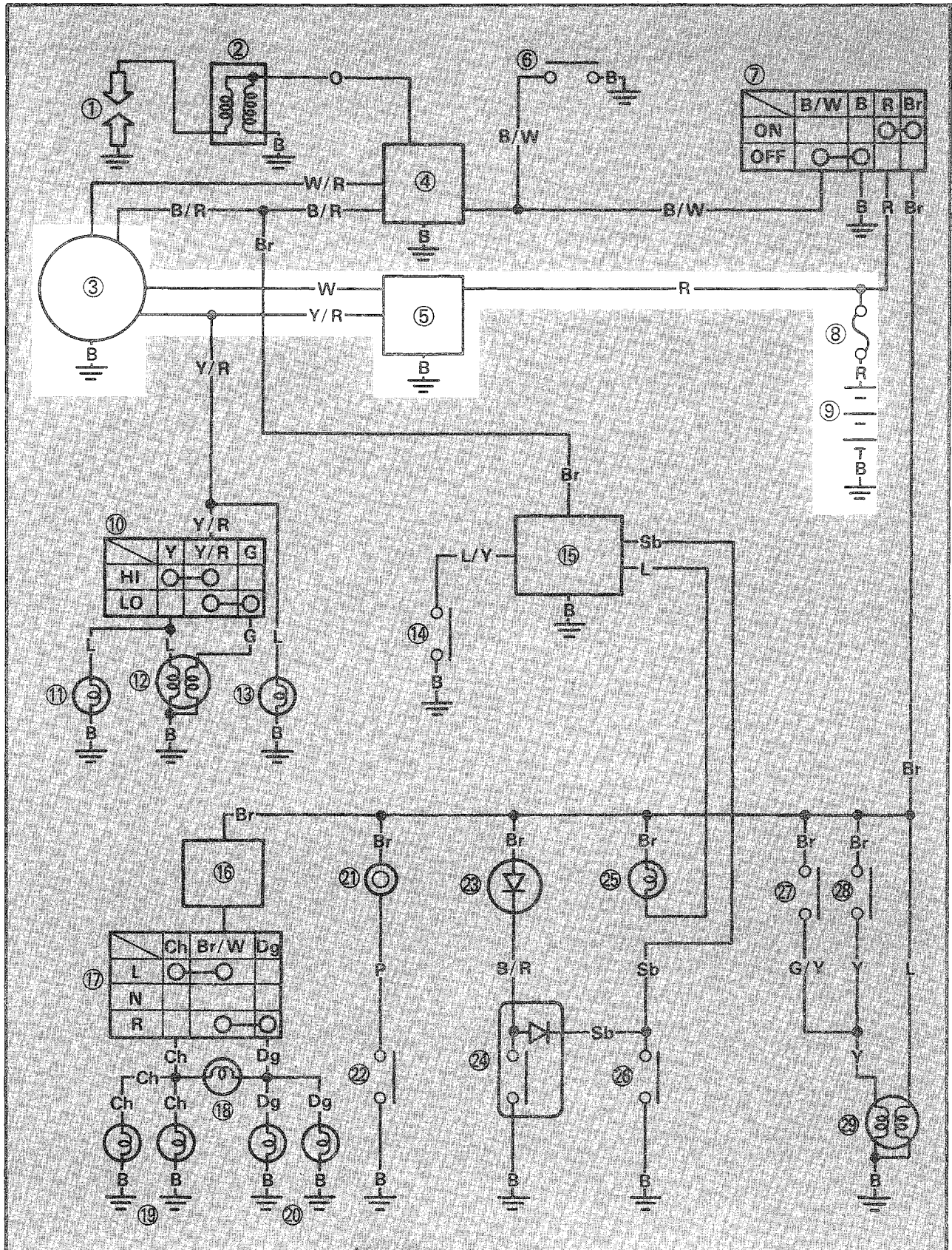
*





CHARGING SYSTEM

Below circuit diagram shows charging system.



CHARGING SYSTEM

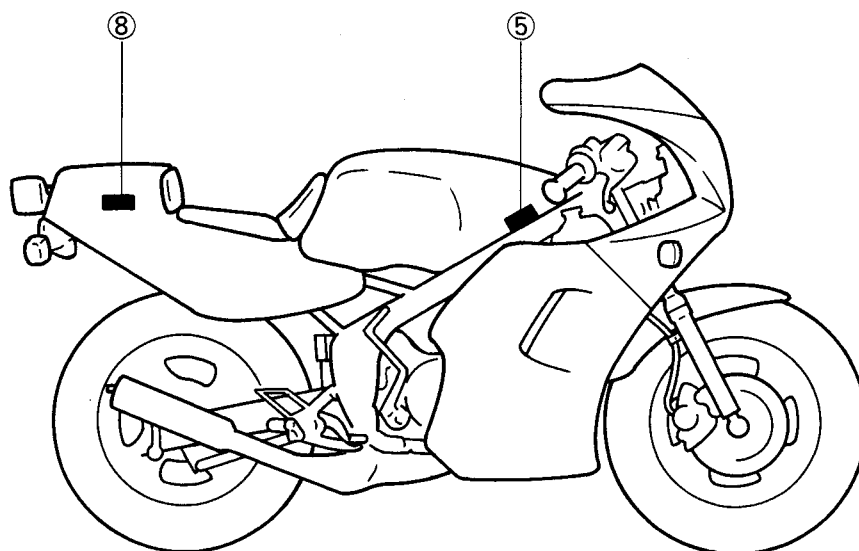
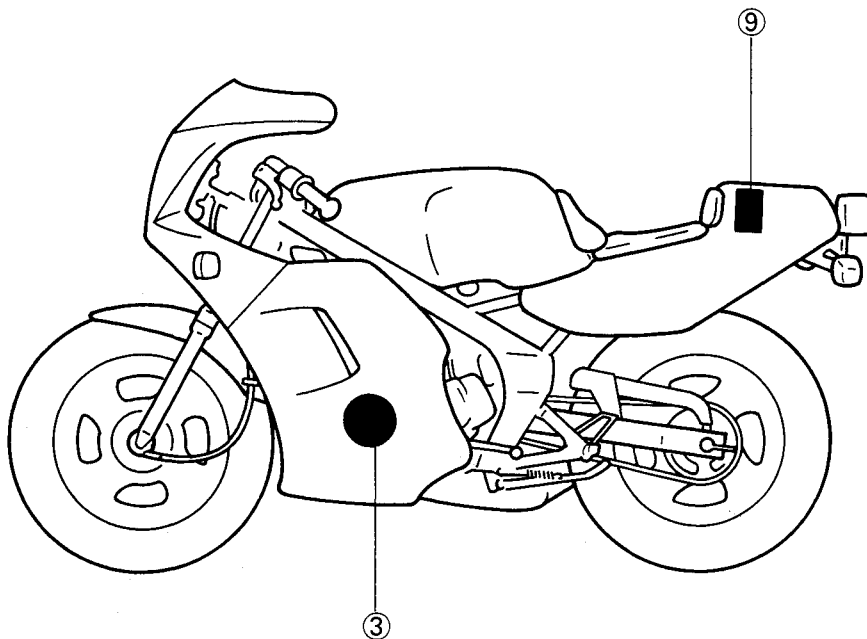
ELEC



NOTE:

For the color codes, see page 7-2.

- ③ CDI magneto
- ⑤ Rectifier/Regulator
- ⑧ Fuse
- ⑨ Battery





TROUBLESHOOTING

THE BATTERY IS NOT CHARGED.

Procedure

Check;

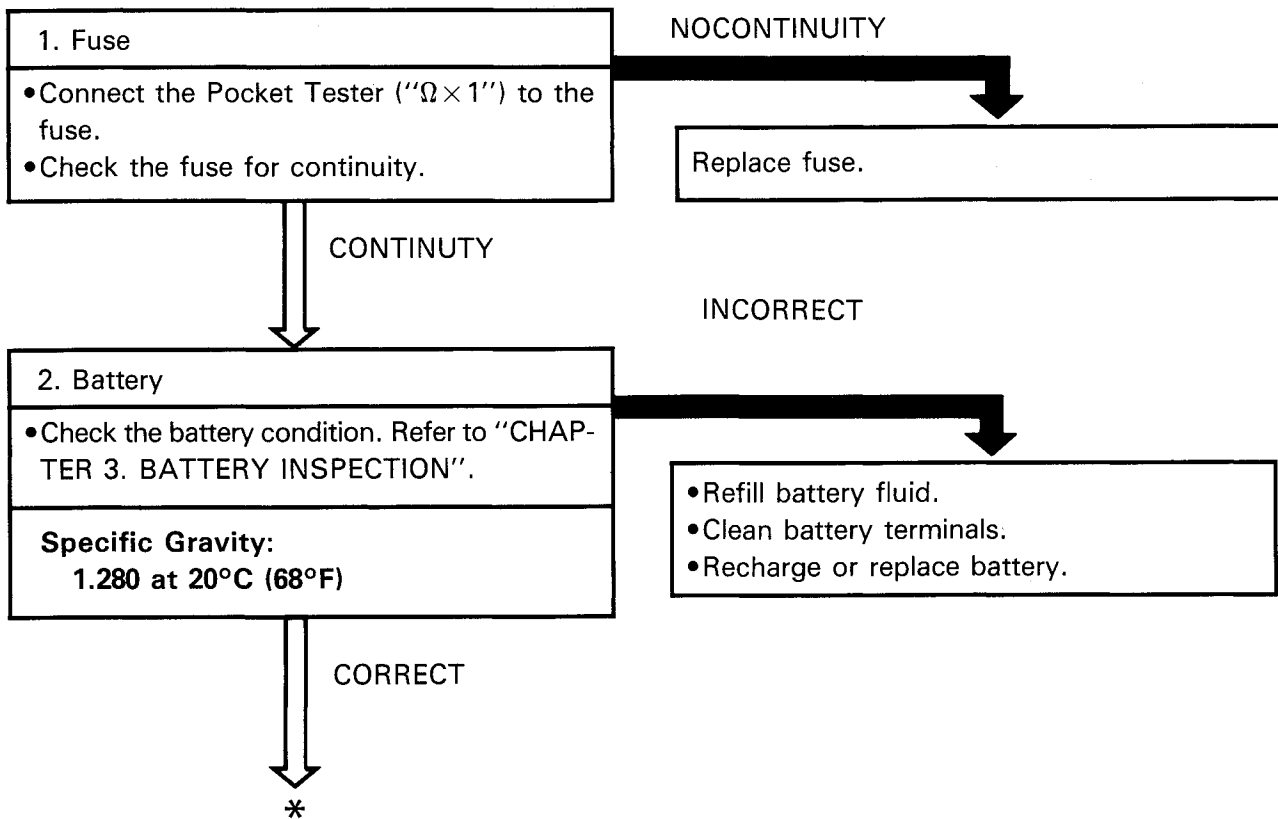
- | | |
|---------------------|---|
| 1. Fuse | 4. Charging coil resistance |
| 2. Battery | 5. Wiring connection
(Charging system) |
| 3. Charging voltage | |

NOTE:

- Remove the following parts before troubleshooting.
 - 1) Side cover
- Use the following special tool(s) in this troubleshooting.

	Inductive Tachometer: YU-08036
--	---

	Pocket Tester: YU-03112
--	--





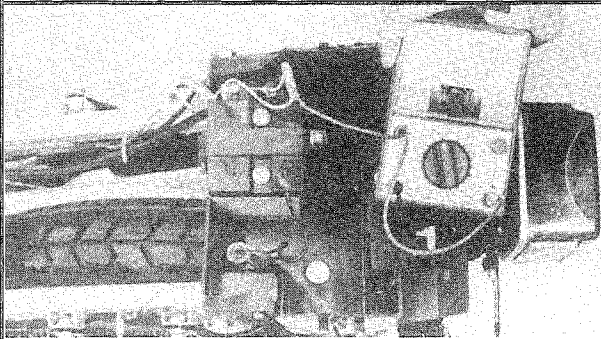
*




3. Charging voltage

- Connect the Engine Tachometer to the spark plug lead.
- Connect the Pocket Tester (DC20V) to the battery.

Tester (+) Lead → Battery (+) Terminal
 Tester (-) Lead → Battery (-) Terminal



- Start the engine and accelerate to about 5,000 r/min.
- Check charging voltage.

 **Charging Voltage:**
 7.4~8.2V at 5,000 r/min

MEETS SPECIFICATION

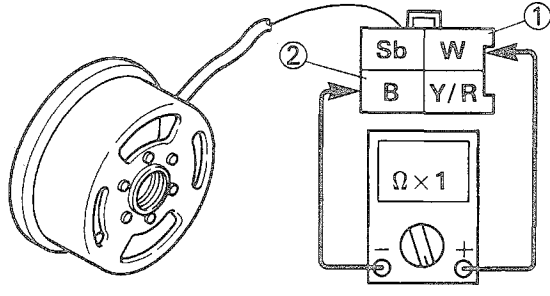
Charging system is good.

OUT OF SPECIFICATION

4. Charging coil resistance

- Disconnect the CDI magneto coupler (Sky blue, White, Black and Yellow/Red) from the wireharness.
- Connect the Pocket Tester ($\Omega \times 1$) to the charging coil leads.

Tester (+) Lead → White ① Lead
 Tester (-) Lead → Black ② Lead



CHARGING SYSTEM

ELEC



•Check the charging coil for specified resistance.



Charging Coil Resistance:
0.24 ~ 0.36Ω at 20°C (68°F)
(White – Black)

OUT OF SPECIFICATION

Charging coil is faulty, replace it.

MEETS SPECIFICATION

5. Wiring connection

Check the entire charging system for connections. Refer to the "WIRING DIAGRAM" section.

POOR CONNECTION

Correct.

CORRECT

Rectifier/Regulator is faulty, replace it.

CHARGING SYSTEM

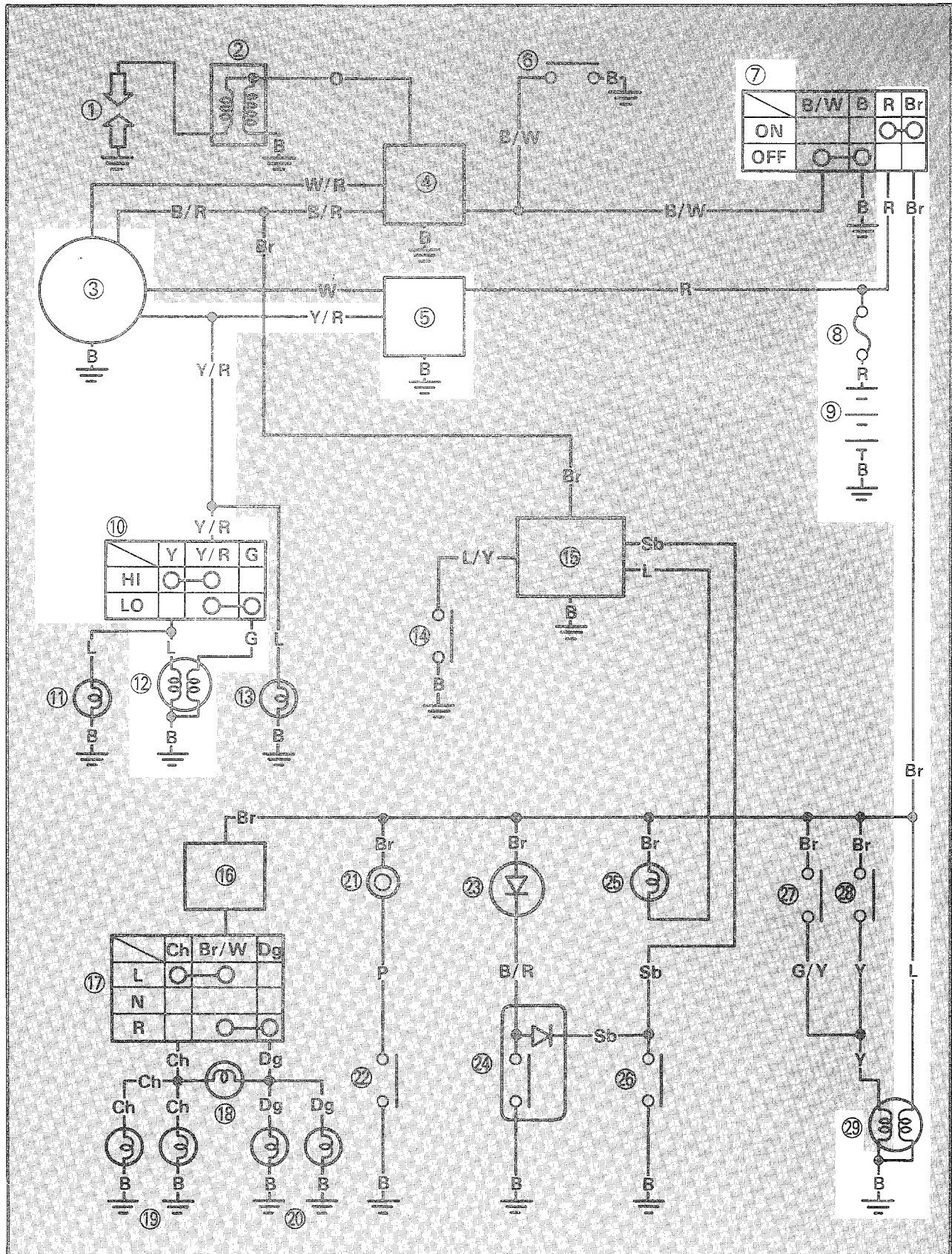


MEMO



LIGHTING SYSTEM

Below circuit diagram shows lighting system.

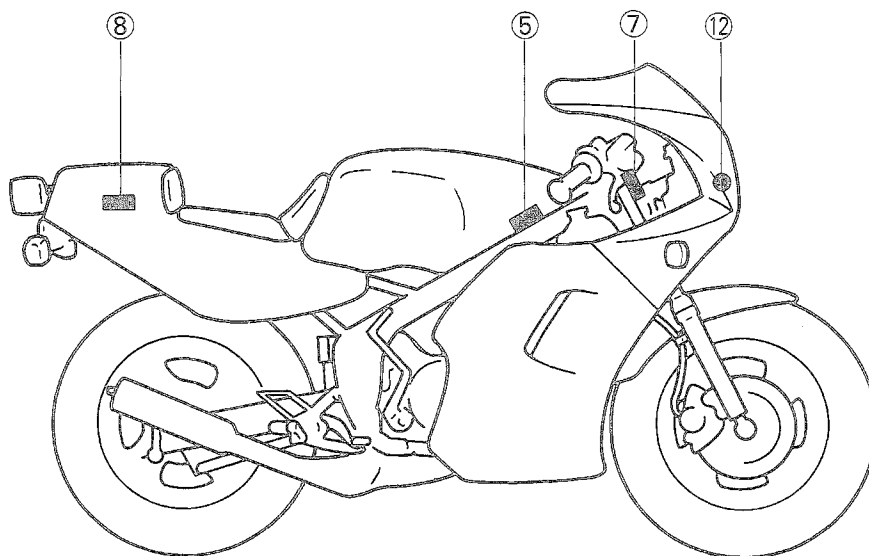
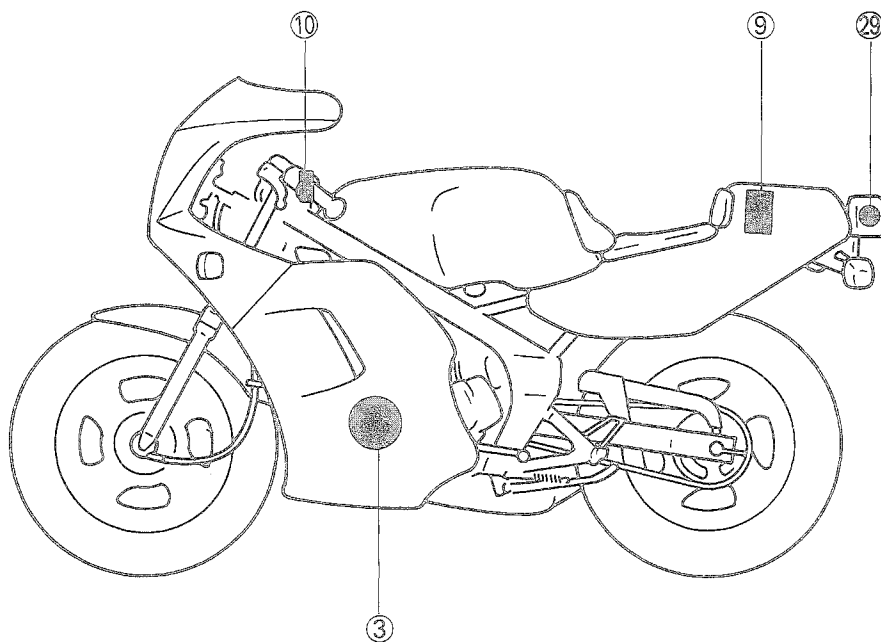




NOTE: _____

For the color codes, see page 7-2.

- ③ CDI magneto
- ⑤ Rectifier/Regulator
- ⑦ Main switch
- ⑧ Fuse
- ⑨ Battery
- ⑩ "LIGHTS" (Dimmer) switch
- ⑫ Headlight
- ⑲ Tail/Brake light





TROUBLESHOOTING (1)

HEADLIGHT DOES NOT COME ON.


Procedure

Check;

1. Headlight
2. "LIGHTS" (Dimmer) switch
3. Lighting circuit output
4. Lighting coil resistance
5. Wiring connection

NOTE:

- Remove the following parts before troubleshooting.
 - 1) Seat
 - 2) Side cover
- Use the following special tool(s) in this troubleshooting.

 **Pocket Tester:**
YU-03112

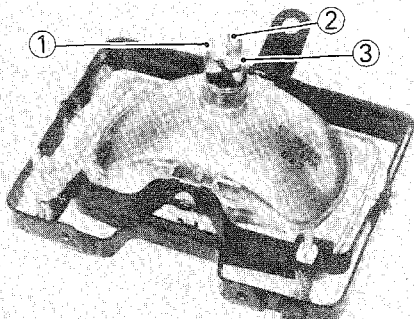
 **Inductive Tachometer:**
YU-08036

1. Headlight

◦ Connect the Pocket Tester ($\Omega \times 1k$) to the headlight.

Tester (+) Lead → Terminal ①
Tester (-) Lead → Terminal ③

Tester (+) Lead → Terminal ②
Tester (-) Lead → Terminal ③



◦ Check the headlight for continuity.

CONTINUITY DOES NOT EXIST ON ONE CIRCUIT.

Headlight is faulty, replace it.

CONTINUITY EXISTS ON BOTH CIRCUITS.

*

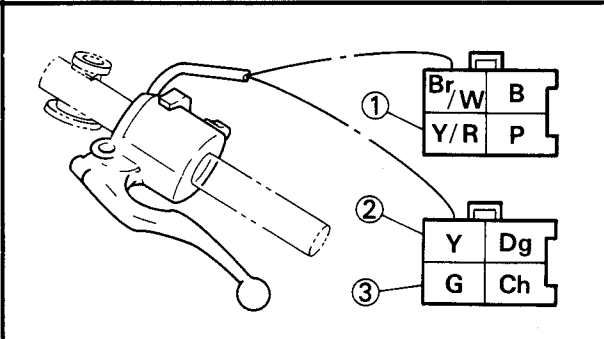


2. "LIGHTS" (Dimmer) switch

- Disconnect the handlebar switch couplers [(Chocolate, Green, Dark green and Yellow) (Black, Pink, Yellow/Red and Brown/White)] from the wireharness.
- Connect the Pocket Tester ($\Omega \times 1$) to the "LIGHTS" (Dimmer) switch leads.

When turning "LIGHTS" (Dimmer) switch to "HI".
 Tester (+) Lead → Yellow/Red ① Lead
 Tester (-) Lead → Yellow ② Lead

When turning "LIGHTS" (Dimmer) switch to "LO".
 Tester (+) Lead → Yellow/Red ① Lead
 Tester (-) Lead → Green ③ Lead



- Turn the "LIGHTS" (Dimmer) switch to the "HI" and "LO".
- Check the "LIGHTS" (Dimmer) switch for continuity.

Switch position	Good condition		Bad condition	
	○	×	○	×
HI	○	×	○	×
LO	○	○	×	×

○: Continuity ×: Nocontinuity

BAD CONDITION

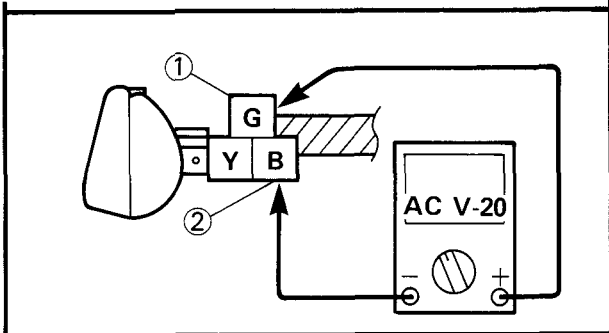
"LIGHTS" (Dimmer) switch is faulty, replace handlebar switch.



3. Lighting circuit output

- Turn the "LIGHTS" (Dimmer) switch to "LO".
- Connect the Pocket Tester (AC V-20) to the headlight leads.

Tester (+) Lead → Green ① Lead
 Tester (-) Lead → Black ② Lead



- Connect the Inductive Tachometer to the spark plug lead.
- Start the engine and check the output voltage.

CAUTION:

Do not run the engine in neutral above 6,000 r/min for more than 1 or 2 seconds.



Standard Output:
6.2 ~ 7.2V at 3,000 r/min or more

MEETS SPECIFICATION

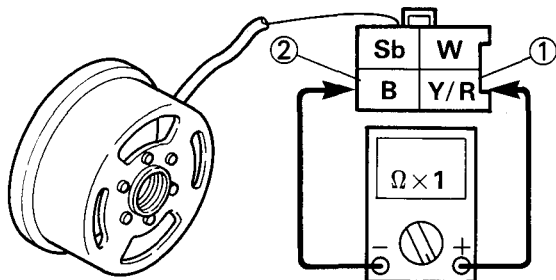
Lighting system is good.

OUT OF SPECIFICATION

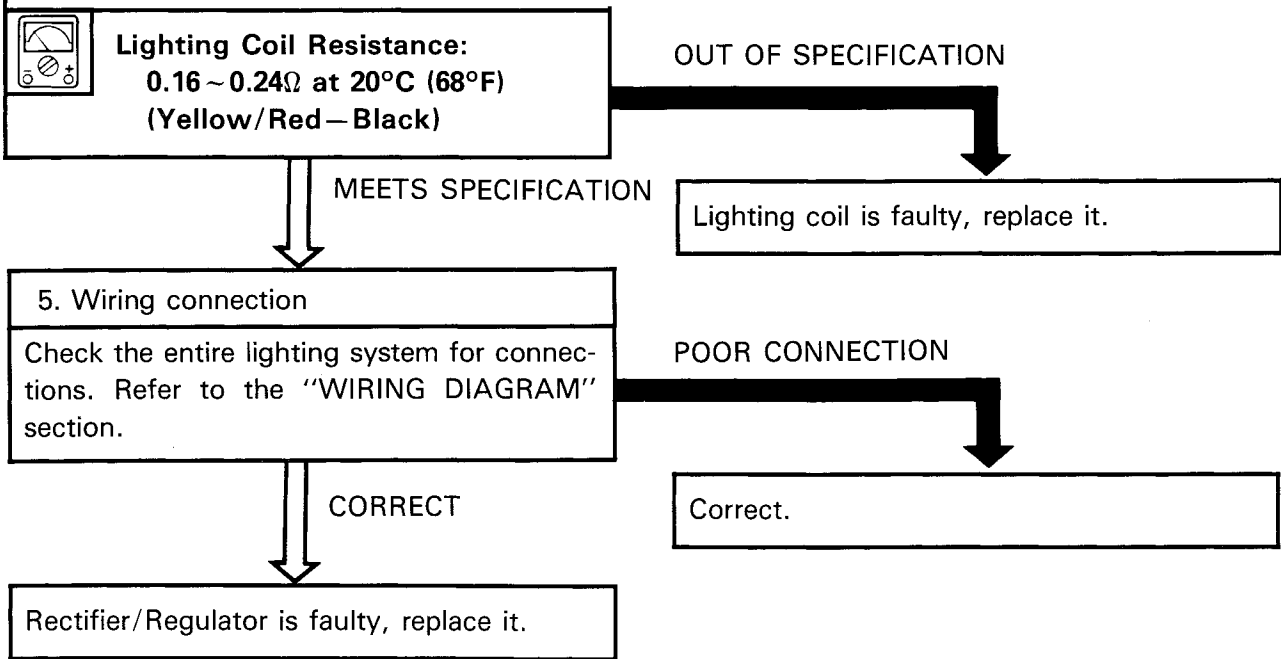
4. Lighting coil resistance

- Disconnect the CDI magneto coupler (Sky blue, White, Black and Yellow/Red) from the wireharness.
- Connect the Pocket Tester ($\Omega \times 1$) to the lighting coil leads.

Tester (+) Lead → Yellow/Red ① Lead
Tester (-) Lead → Black ② Lead



- Check the lighting coil for specified resistance.



TROUBLESHOOTING (2)


TAILLIGHT DOES NOT COME ON.

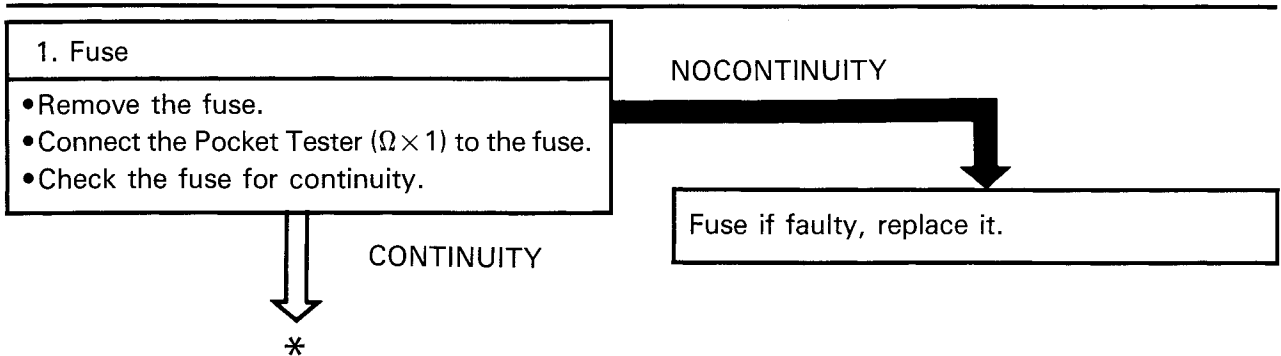
Procedure

1. Fuse
2. Battery
3. Tail/Brake light bulb
4. Main switch
5. Wiring connection

NOTE:

- Remove the following parts before troubleshooting.
 - 1) Seat
 - 2) Side cover
- Use the following special tool(s) in this troubleshooting.

 **Pocket Tester:**
YU-03112





2. Battery

- Check the battery condition. Refer to the "BATTERY INSPECTION" section in the CHAPTER 3.

Specific Gravity:
1.280 at 20°C (68°F)

INCORRECT

- Refill battery fluid.
- Clean battery terminals.
- Recharge or replace battery.

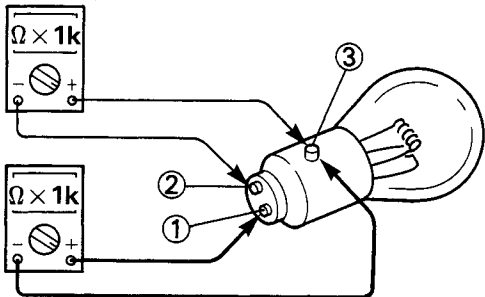
CORRECT

3. Tail/Brake light bulb

- Remove the tail/brake light bulb.
- Connect the Pocket Tester ($\Omega \times 1k$) to the tail/brake light bulb.

Tester (+) Lead → Terminal ①
Tester (-) Lead → Terminal ③

Tester (+) Lead → Terminal ②
Tester (-) Lead → Terminal ③



CONTINUITY DOES NOT EXIST ON ONE CIRCUIT.

• Check the tail/brake light bulb for continuity.

Tail/Brake light bulb is faulty, replace it.

CONTINUITY EXISTS ON BOTH CIRCUITS.

4. Main switch

- Disconnect the main switch coupler (Red, Brown and Black) from the wireharness.
- Connect the Pocket Tester ($\Omega \times 1$) to the main switch leads.



Tester (+) Lead → Red ① Lead
 Tester (-) Lead → Brown ② Lead

- Turn the main switch to "ON" and "OFF".
- Check the main switch for continuity.

Switch position	Good condition			Bad condition		
	○	×	○	×	×	○
ON	○	×	×	×	×	○
OFF	×	○	×	○	×	○

○: Continuity ×: Nocontinuity

BAD CONDITION

Main switch is faulty, replace it.

GOOD CONDITION

5. Wiring connection

Check the entire lighting system for connections. Refer to the "WIRING DIAGRAM" section.

INCORRECT

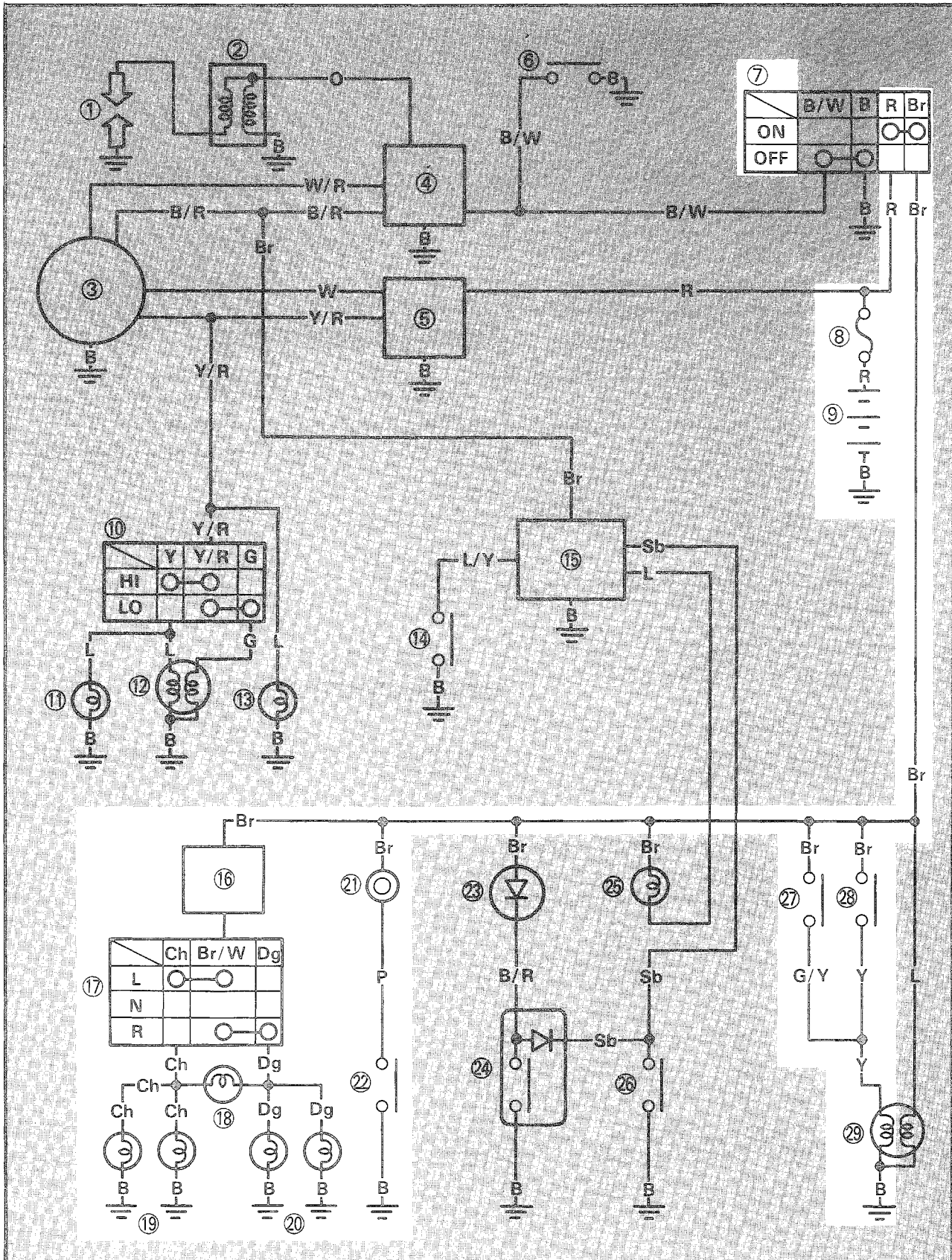
Correct.

CORRECT

Tail/Brake light bulb socket is faulty, replace tail/brake light assembly.

SIGNAL SYSTEM

Below circuit diagram shows signal system.



SIGNAL SYSTEM

ELEC

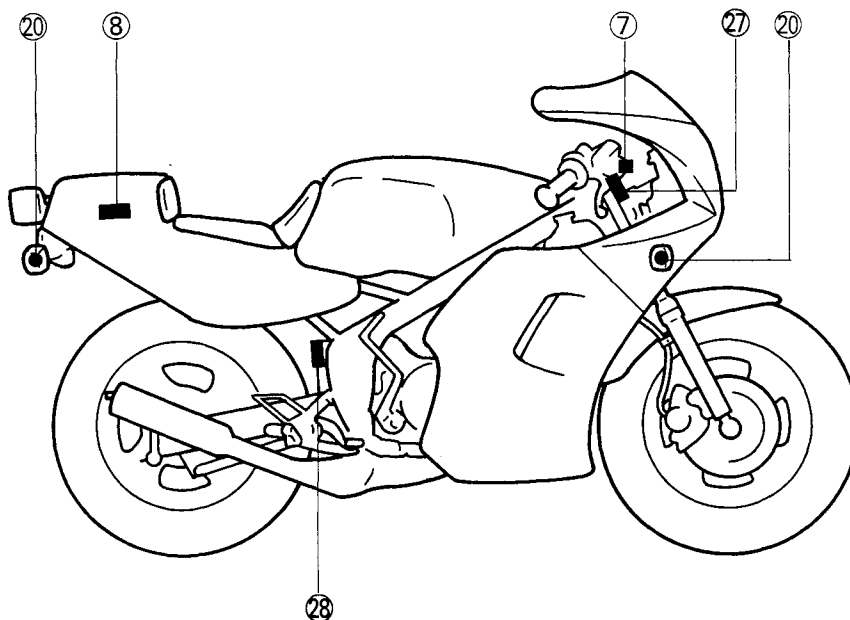
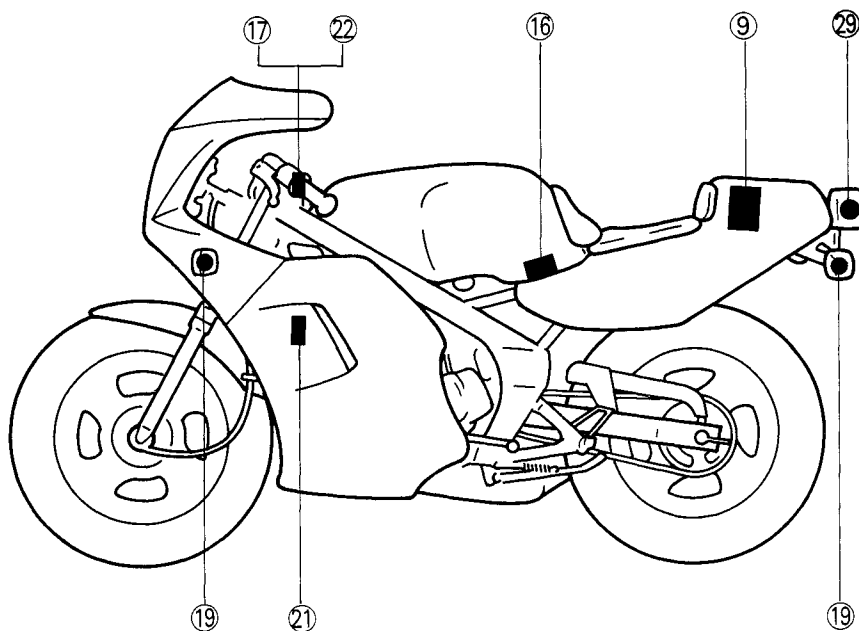


NOTE: _____

For the color code, see page 7-2.

- ⑦ Main switch
- ⑧ Fuse
- ⑨ Battery
- ⑯ Flasher relay
- ⑰ "TURN" switch
- ⑲ Flasher light (Left)

- ⑳ Flasher light (Right)
- ㉑ Horn
- ㉒ "HORN" switch
- ㉓ Front brake switch
- ㉔ Rear brake switch
- ㉕ Tail/Brake light





TROUBLESHOOTING

FLASHER LIGHT, BRAKE LIGHT AND/OR HORN DO NOT OPERATE.

Procedure

Check;

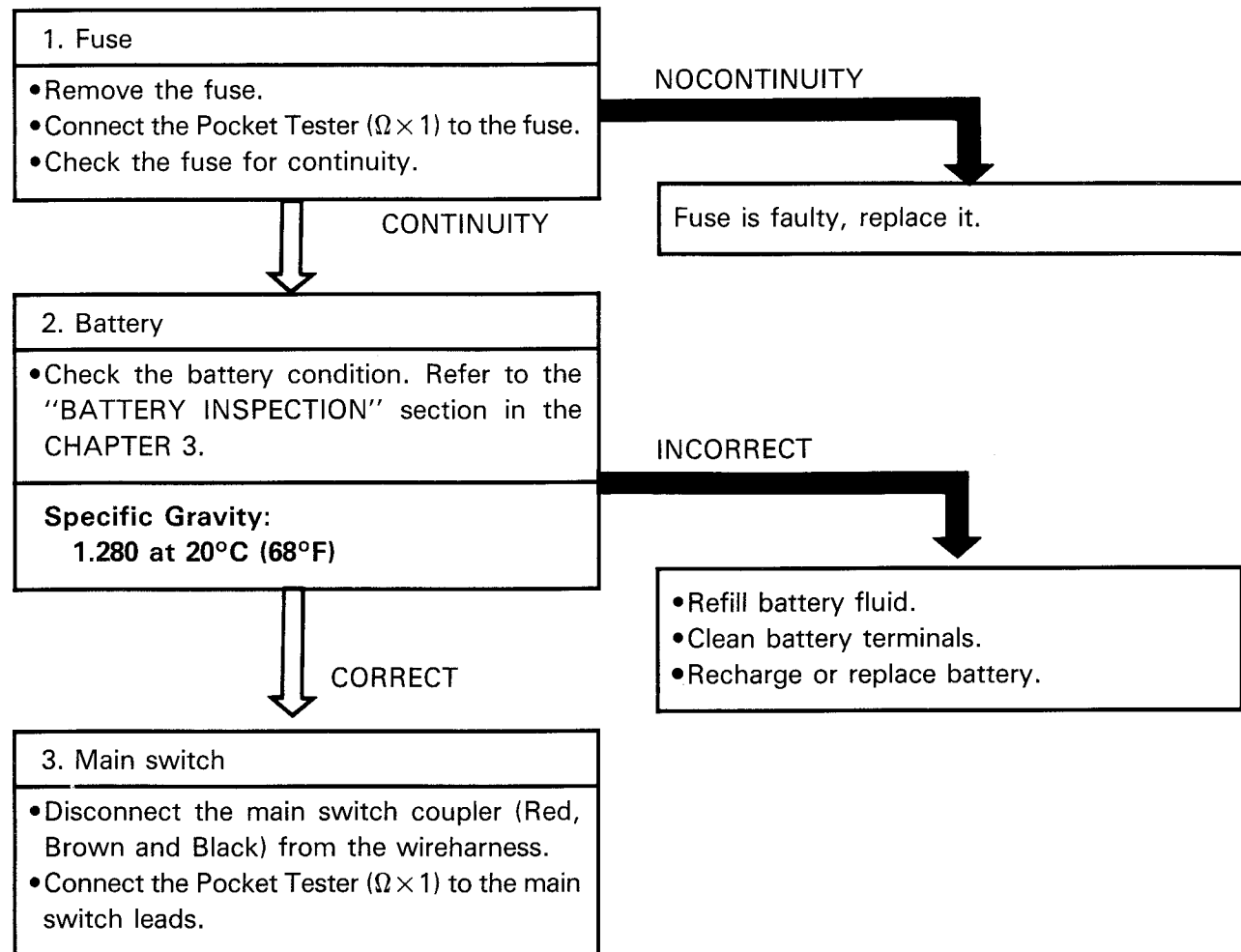
- 1) Fuse
- 2) Battery
- 3) Main switch
- 4) Wiring connection

NOTE:

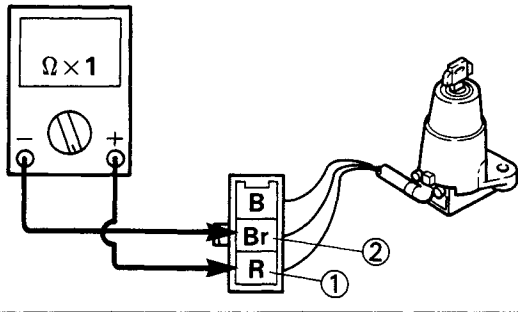
- Remove the following parts before troubleshooting.
 - 1) Seat
 - 2) Side cover
- Use the following special tool(s) in this troubleshooting.



**Pocket Tester:
YU-03112**



Tester (+) Lead → Red ① Lead
 Tester (-) Lead → Brown ② Lead



- Turn the main switch to "ON" and "OFF".
- Check the main switch for continuity.

Switch position	Good condition	Bad condition		
		○	×	○
ON	○	×	×	○
OFF	×	○	×	○

○: Continuity ×: Nocontinuity

GOOD CONDITION

4. Wiring connection

Check the entire signal system for connections. Refer to the "WIRING DIAGRAM" section.

CORRECT

Go to the "SIGNAL SYSTEM TEST AND CHECK" section.

BAD CONDITION

Main switch is faulty, replace it.

INCORRECT

Correct.

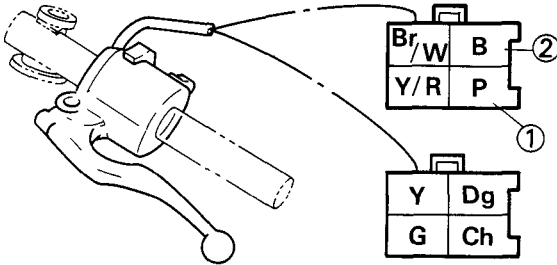
SIGNAL SYSTEM TEST AND CHECK

1. Horn does not sound, when pushing "HORN" switch.

1. "HORN" switch check

- Disconnect the handlebar switch couplers [(Brown/White, Yellow/Red, Black and Pink) (Yellow, Green, Dark green and Chocolate)] from the wireharness.
- Connect the Pocket Tester ($\Omega \times 1$) to the "HORN" switch.

Tester (+) Lead → Pink ① Lead
 Tester (-) Lead → Black ② Lead



- Check the "HORN" switch for continuity.

Switch position	Good condition	Bad condition		
		○	×	○
"HORN" switch is pushed.	○	×	×	○
"HORN" switch is not pushed	×	○	×	○

○: Continuity ×: Nocontinuity

BAD CONDITION

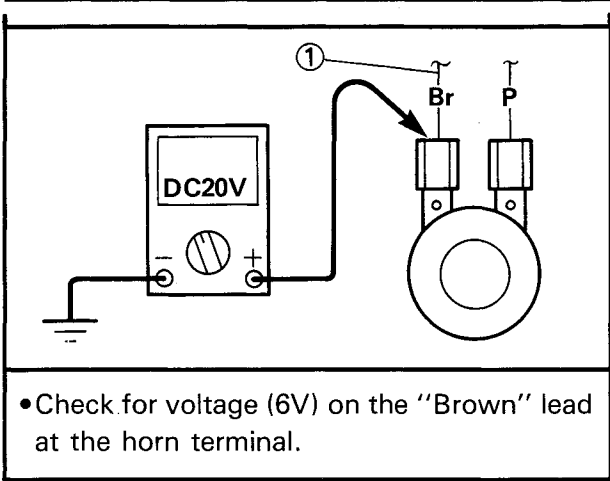
"HORN" switch is faulty, replace handlebar switch.

GOOD CONDITION

2. Voltage check

- Connect the Pocket Tester (DC20V) to the horn at the brown terminal.

Tester (+) Lead → Brown ① Lead
 Tester (-) Lead → Frame Ground



• Check for voltage (6V) on the "Brown" lead at the horn terminal.

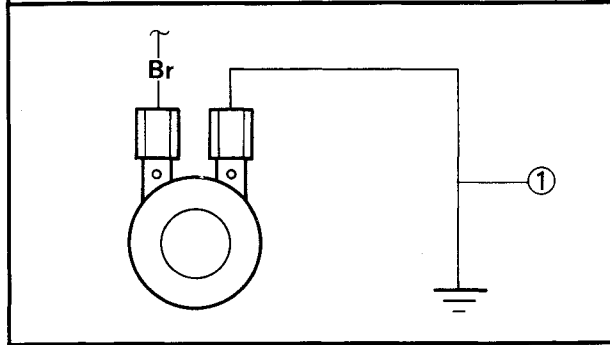
OUT OF SPECIFICATION

Wiring circuit from main switch to horn terminal is faulty, repair.

MEETS SPECIFICATION (6V)

3. Horn check

- Disconnect the "Pink" lead at the horn terminal.
- Connect a jumper lead ① to the horn terminal and ground the jumper lead.



HORN IS SOUNDED

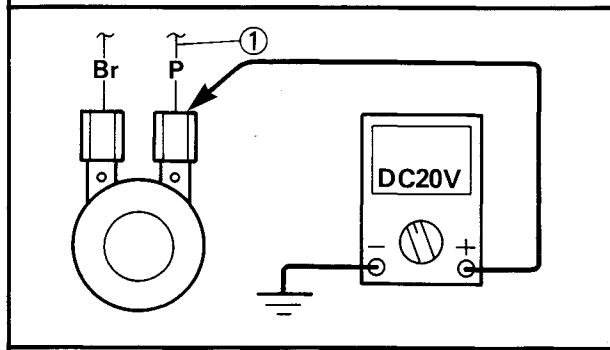
Horn is good.

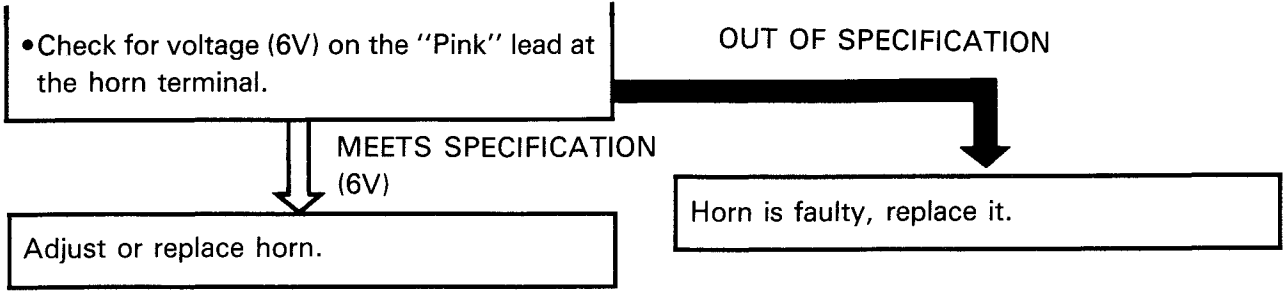
HORN IS NOT SOUNDED

4. Voltage check

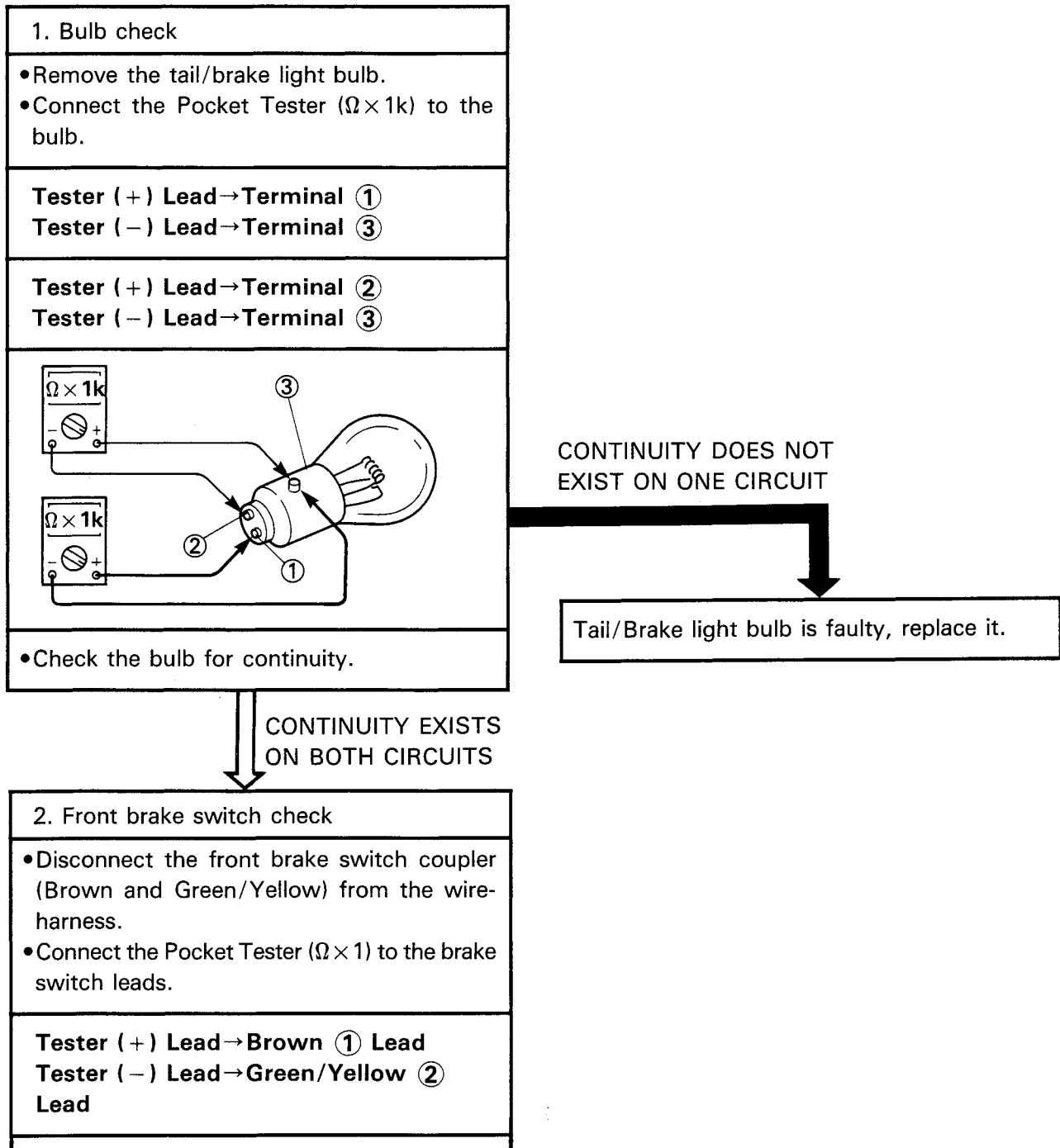
- Connect the Pocket Tester (DC20V) to the horn at the Pink terminal.

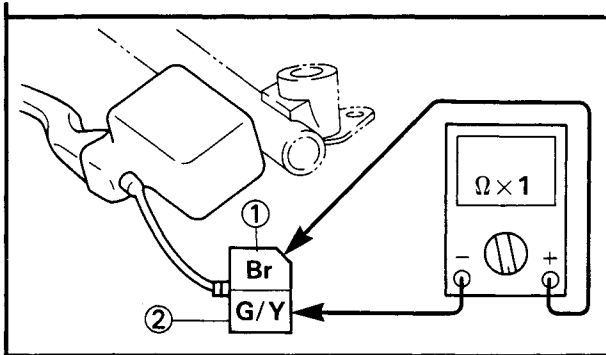
Tester (+) Lead → Pink ① Lead
Tester (-) Lead → Frame Ground





2. Brake light does not come on when applying rear or front brake.





• Check the brake switch for continuity.

Switch position	Good condition	Bad condition		
Front brake is applied.	○	×	×	○
Front brake is not applied	×	○	×	○

○: Continuity ×: Nocontinuity

BAD CONDITION

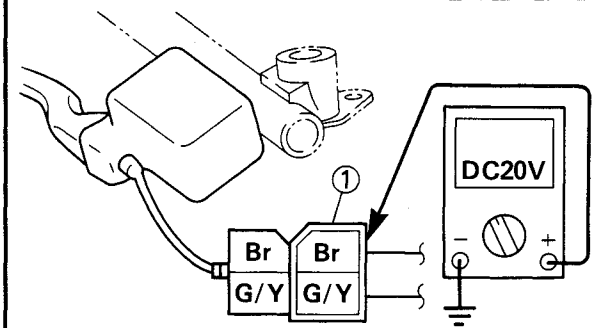
Front brake switch is faulty, replace it.

GOOD CONDITION

3. Voltage check

• Connect the Pocket Tester (DC20V) to the front brake switch.

Tester (+) Lead → Brown ① Lead
Tester (-) Lead → Frame Ground



• Check for voltage (6V) on the "Brown" lead at the brake switch coupler.

OUT OF SPECIFICATION

Wiring circuit from main switch to brake switch connector is faulty, repair.

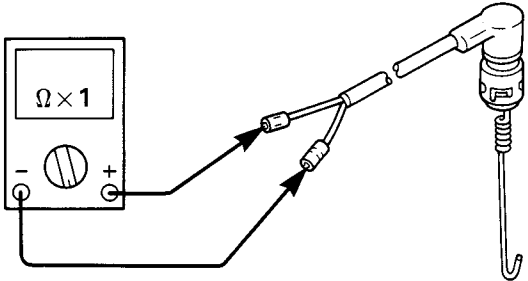
MEETS SPECIFICATION (6V)

*



4. Rear brake switch check

- Disconnect the rear brake switch leads (Brown and Yellow) from the wireharness.
- Connect the Pocket Tester ($\Omega \times 1$) to the brake switch lead.



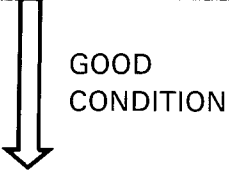
- Check the brake switch for continuity.

Switch position	Good condition	Bad condition		
Rear brake is applied.	○	×	×	○
Rear brake is not applied	×	○	×	○

○: Continuity ×: Nocontinuity

BAD CONDITION

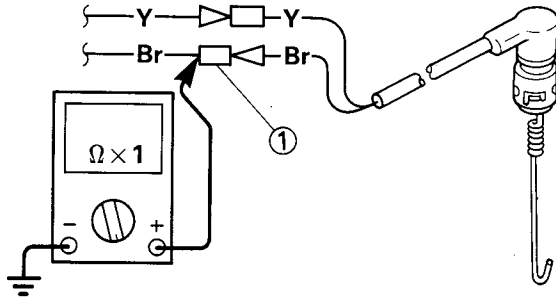
Rear brake switch is faulty, replace it.

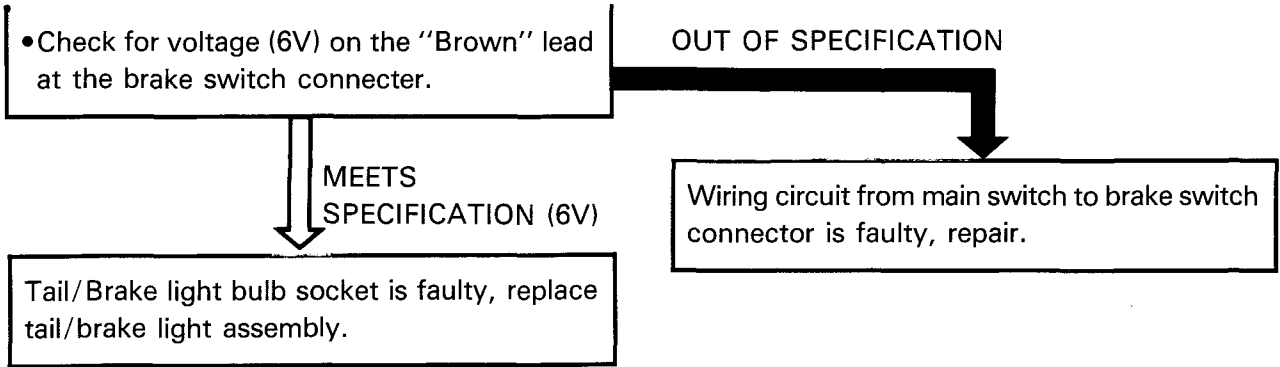


5. Voltage check

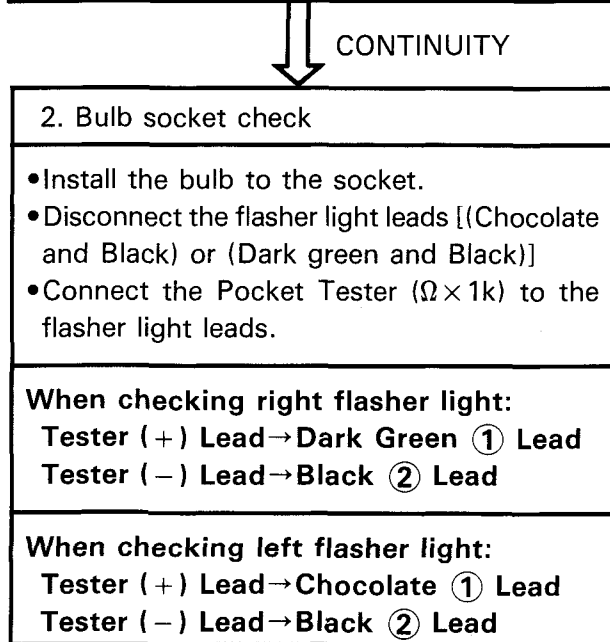
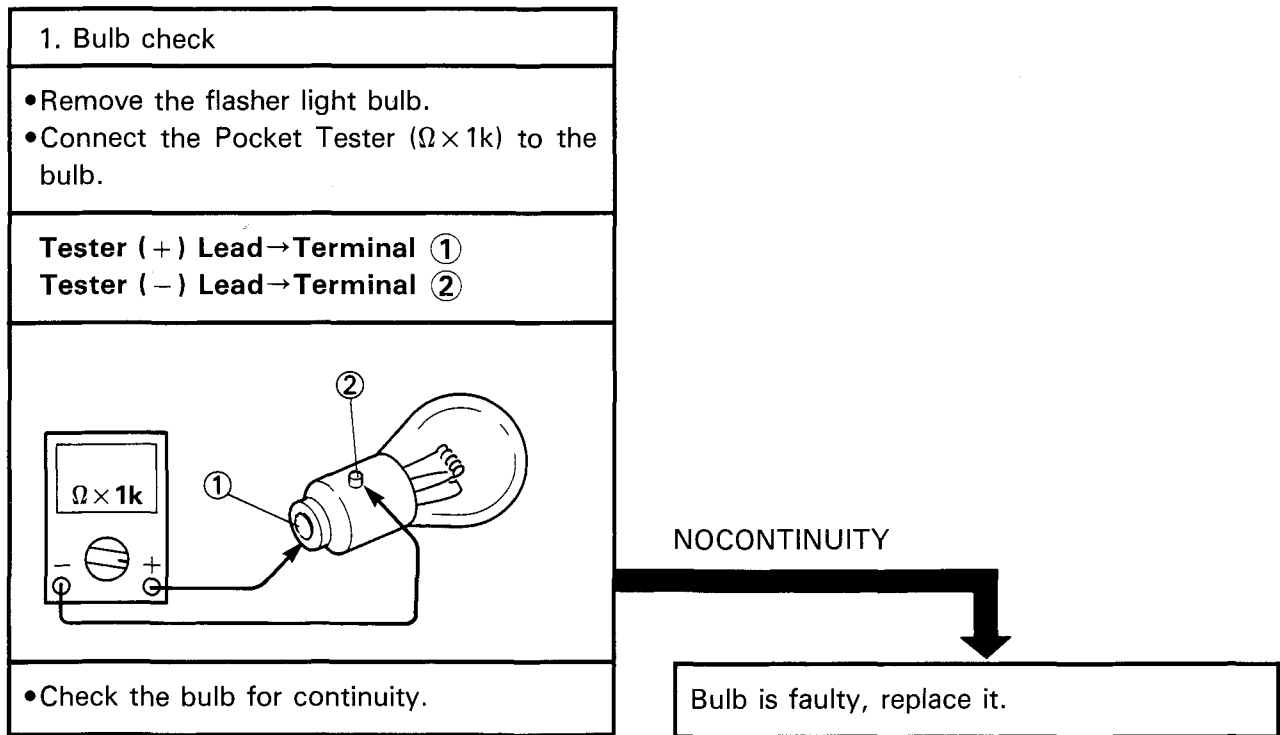
- Connect the Pocket Tester (DC20V) to the rear brake switch.

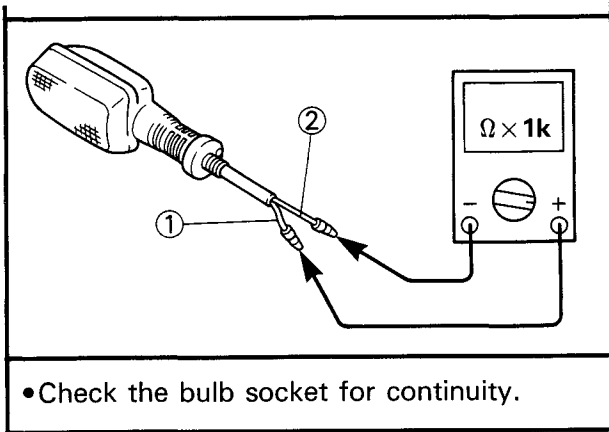
Tester (+) Lead → Brown ① Lead
 Tester (-) Lead → Frame Ground





3. Flasher lights do not blink.





NOCONTINUITY

Bulb socket is faulty, replace flasher light assembly.

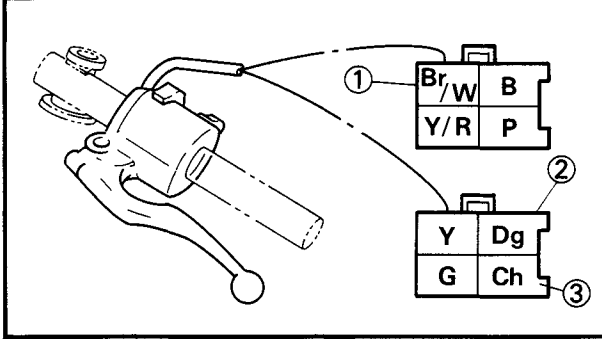
CONTINUITY

3. "TURN" switch check

- Disconnect the handlebar switch couplers [(Chocolate, Dark green, Yellow and Green) (Black, Pink, Yellow/Red and Brown/White)] from the wireharness.
- Connect the Pocket Tester ($\Omega \times 1$) to the "TURN" switch leads.

When turning "TURN" switch to "R":
 Tester (+) Lead → Brown/White ① Lead
 Tester (-) Lead → Dark green ② Lead

When turning "TURN" switch to "L":
 Tester (+) Lead → Brown/White ① Lead
 Tester (-) Lead → Chocolate ③ Lead



- Turn the "TURN" switch to the "R" and "L".
- Check the "TURN" switch for continuity.

Switch position	Good condition	Bad condition		
R	○	×	○	×
L	○	○	×	×

○: Continuity ×: Nocontinuity

BAD CONDITION

"TURN" switch is faulty, replace handlebar switch.

GOOD CONDITION
*



4. Voltage check

- Connect the Pocket Tester (DC20V) to the flasher relay.

Tester (+) Lead → Brown ① Lead
Tester (-) Lead → Frame Ground

- Check for voltage (6V) on the "Brown" lead at the flasher relay terminal.

MEET SPECIFICATION (6V)

Flasher relay is faulty, replace it.

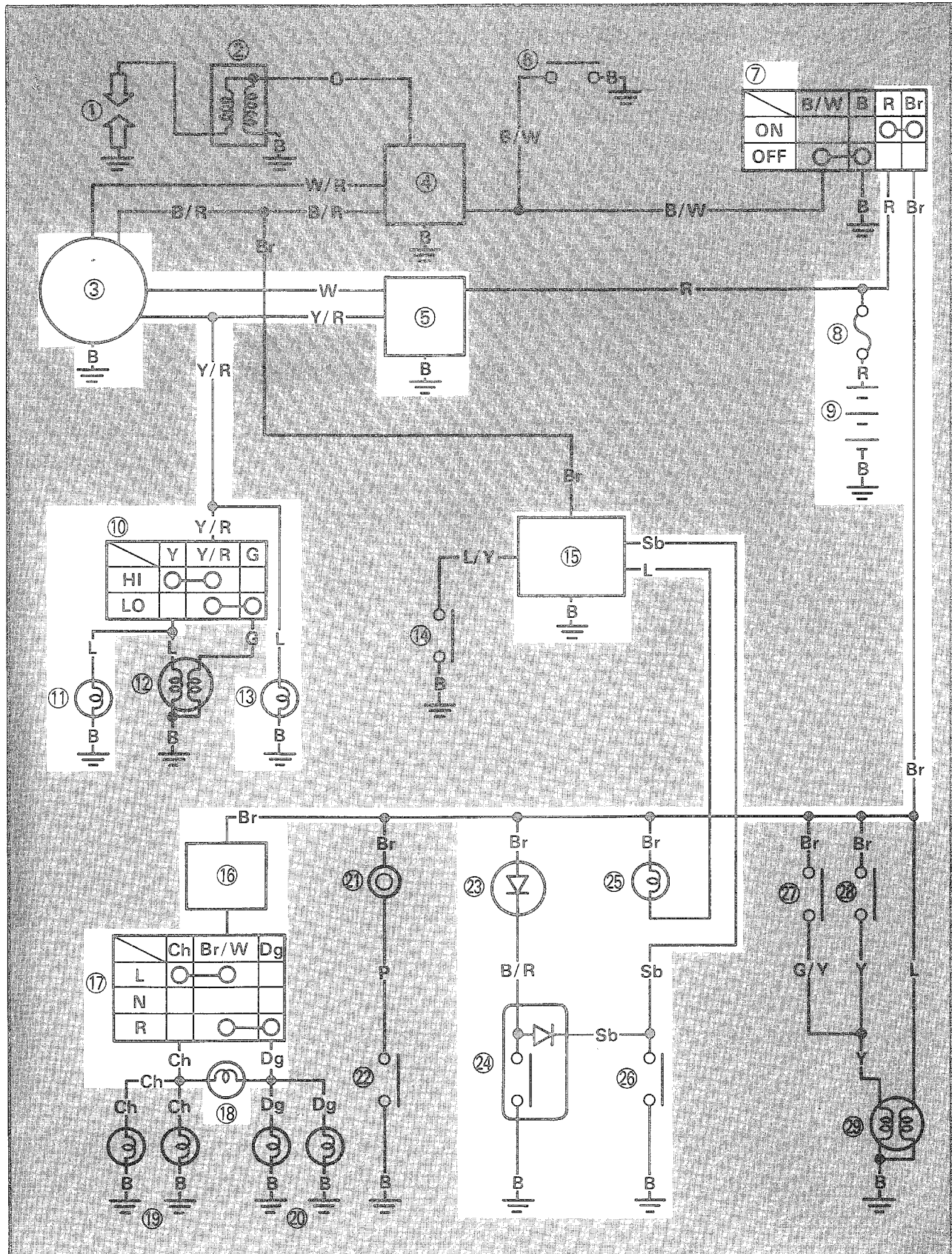
OUT OF SPECIFICATION

Wiring circuit from main switch to flasher relay connector is faulty, repair.



DISPLAY SYSTEM

Below circuit diagram shows display system.

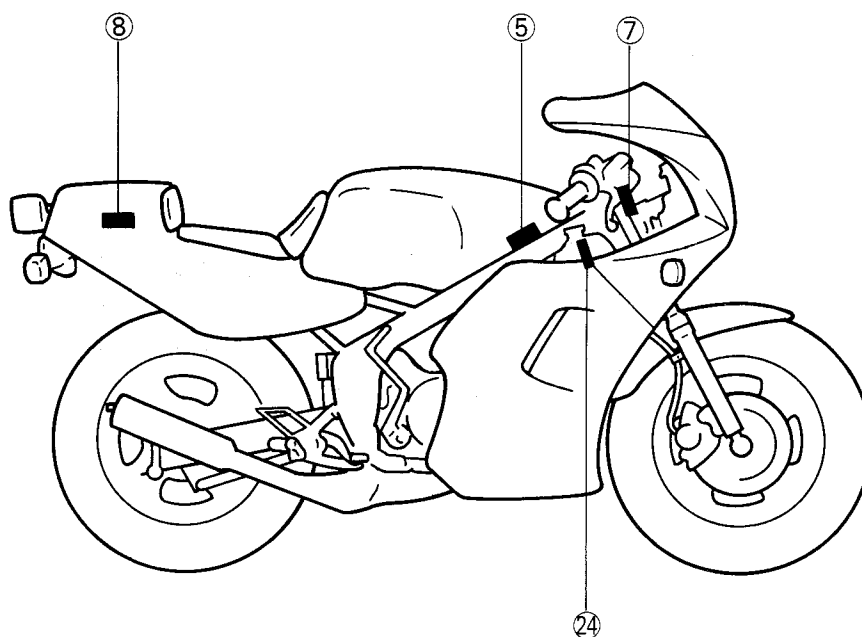
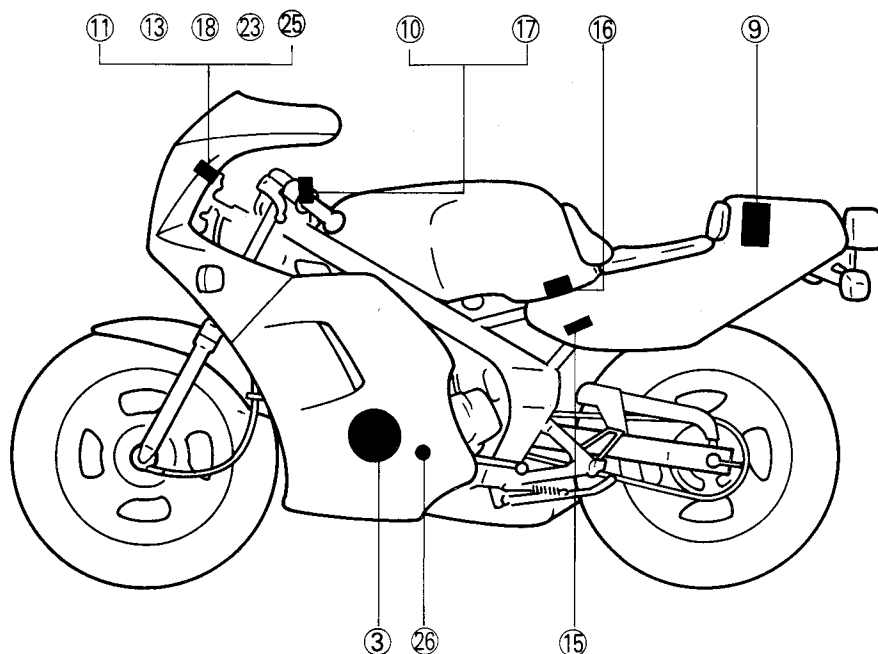




NOTE: _____

For the color codes, see page 7-2.

- | | |
|-------------------------------|---------------------------------|
| ③ CDI magneto | ⑮ Ignition control unit |
| ⑤ Rectifier/Regulator | ⑯ Flasher relay |
| ⑦ Main switch | ⑰ "TURN" switch |
| ⑧ Fuse | ⑱ "TURN" indicator light |
| ⑨ Battery | ⑲ "OIL" warning indicator light |
| ⑩ "LIGHTS" (Dimmer) switch | ⑳ Oil level switch |
| ⑪ "HIGH BEAM" indicator light | ㉑ "NEUTRAL" indicator light |
| ⑬ Meter light | ㉒ Neutral switch |





TROUBLESHOOTING (1)

METER LIGHT AND/OR "HIGH BEAM" INDICATOR LIGHT DO NOT COME ON.

Procedure

Check;

- 1) Meter light and "HIGH BEAM" indicator light
- 2) "LIGHTS" (Dimmer) switch
- 3) Lighting circuit output
- 4) Lighting coil resistance
- 5) Wiring connection

NOTE:

- Remove the following parts before troubleshooting.
 - 1) Seat
 - 2) Side cover
- Use the following special tool(s) in this troubleshooting.

Pocket Tester:
YU-03112

Inductive Tachometer:
YU-08036

1. Meter light and "HIGH BEAM" indicator light

- Remove the bulb (Meter light or "HIGH BEAM" indicator light).
- Connect the Pocket Tester ($\Omega \times 1k$) to the bulb.

Tester (+) Lead → Terminal ①
Tester (-) Lead → Terminal ②

- Check the bulb for continuity.

NOCONTINUITY

↓

Bulb is faulty, replace it.

↓ CONTINUITY

*

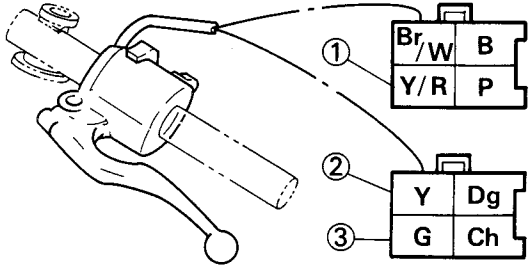


2. "LIGHTS" (Dimmer) switch

- Disconnect the handlebar switch couplers [(Chocolate, Green, Dark green and Yellow) (Black, Pink, Yellow/Red and Brown/White)] from the wireharness.
- Connect the Pocket Tester ($\Omega \times 1$) to the "LIGHTS" (Dimmer) switch leads.

When turning "LIGHTS" (Dimmer) switch to "HI":
 Tester (+) Lead → Yellow/Red ① Lead
 Tester (-) Lead → Yellow ② Lead

When turning "LIGHTS" (Dimmer) switch to "LO":
 Tester (+) Lead → Yellow/Red ① Lead
 Tester (-) Lead → Green ③ Lead



- Turn the "LIGHTS" (Dimmer) switch to the "HI" and "LO".
- Check the "LIGHTS" (Dimmer) switch for continuity.

Switch position	Good condition	Bad condition		
HI	○	×	○	×
LO	○	○	×	×

○: Continuity ×: Nocontinuity

BAD CONDITION

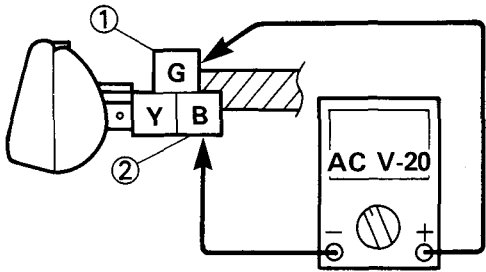
"LIGHTS" (Dimmer) switch is faulty, replace handlebar switch.

GOOD CONDITION

3. Lighting circuit output

- Turn the "LIGHTS" (Dimmer) switch to "LO".
- Connect the Pocket Tester (AC V-20) to the headlight leads.

Tester (+) Lead → Green ① Lead
 Tester (-) Lead → Black ② Lead



- Connect the Inductive Tachometer to the spark plug lead.
- Start the engine and check the output voltage.

CAUTION:

Do not run the engine in neutral above 6,000 r/min for more than 1 or 2 seconds.



Standard Output:
6.2 ~ 7.2V at 3,000 r/min or More

MEETS SPECIFICATION

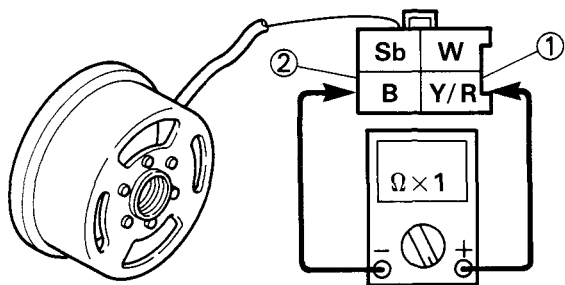
Bulb socket is faulty, replace it.

OUT OF SPECIFICATION

4. Lighting coil resistance

- Disconnect the CDI magneto coupler (Sky blue, White, Black and Yellow/Red) from the wireharness.
- Connect the Pocket Tester ($\Omega \times 1$) to the lighting coil leads.

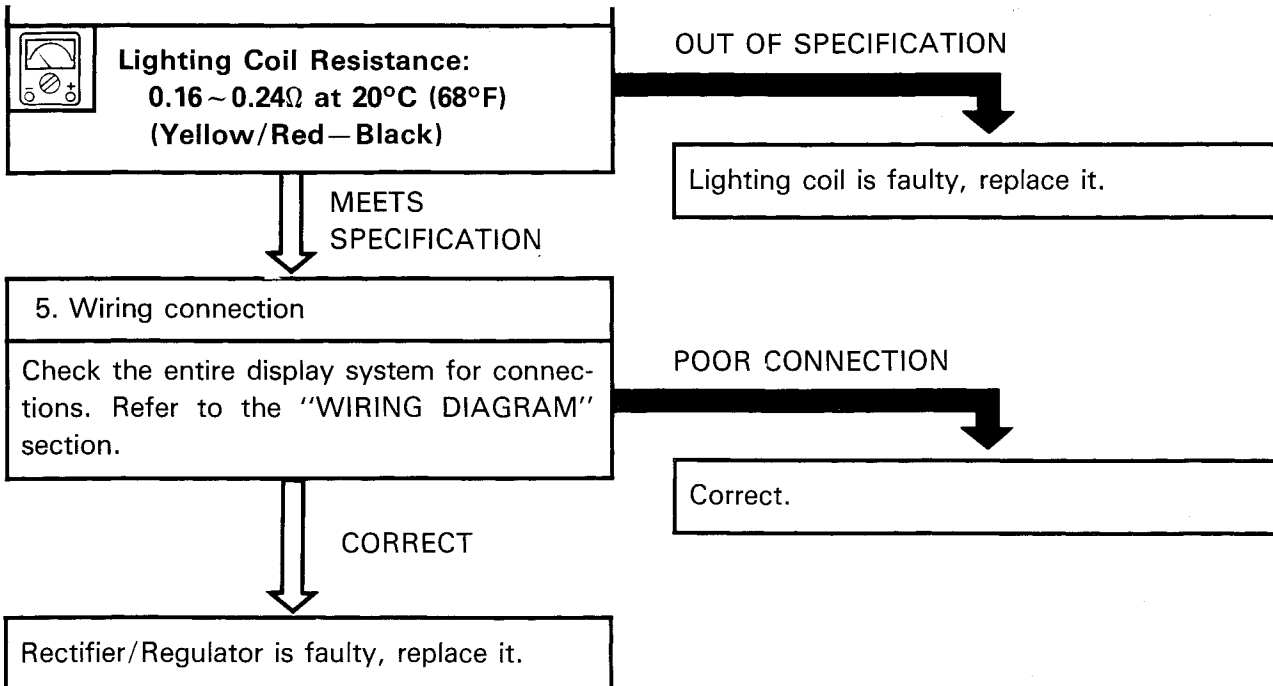
Tester (+) Lead \rightarrow Yellow/Red ① Lead
Tester (-) Lead \rightarrow Black ② Lead



- Check the lighting coil for specified resistance.

DISPLAY SYSTEM

ELEC	
-------------	--





TROUBLESHOOTING (2)

“TURN”, “NEUTRAL” INDICATOR LIGHT AND/OR “OIL” WARNING INDICATOR LIGHT DO NOT COME ON.

Procedure

Check;

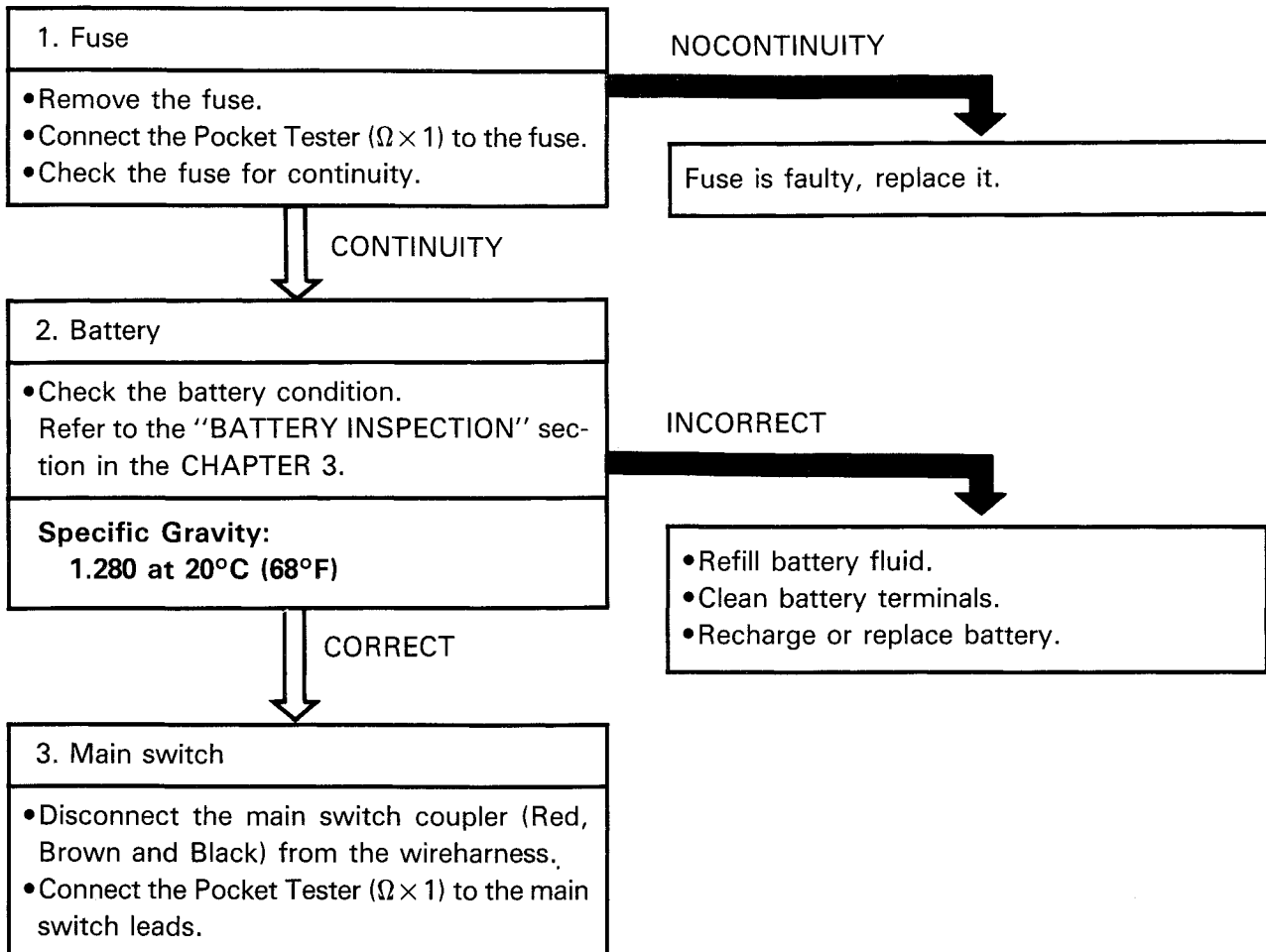
- 1) Fuse
- 2) Battery
- 3) Main switch
- 4) Wiring connection

NOTE:

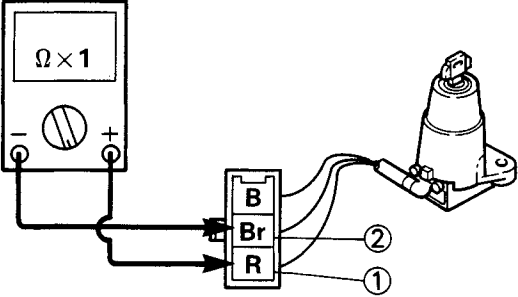
- Remove the following parts before troubleshooting.
 - 1) Seat
 - 2) Side cover
- Use the following special tool(s) in this troubleshooting.



**Pocket Tester:
YU-03112**



Tester (+) Lead → Red ① Lead
 Tester (-) Lead → Brown ② Lead



- Turn the main switch to "ON" and "OFF".
- Check the main switch for continuity.

Switch position	Good condition	Bad condition		
ON	○	×	×	○
OFF	×	○	×	○

○: Continuity ×: Nocontinuity

BAD CONDITION

Main switch is faulty, replace it.

GOOD CONDITION

4. Wiring connection

Check the entire display system for connections. Refer to the "WIRING DIAGRAM" section.

INCORRECT

Correct.

CORRECT

Go to the "DISPLAY SYSTEM TEST AND CHECK" section.

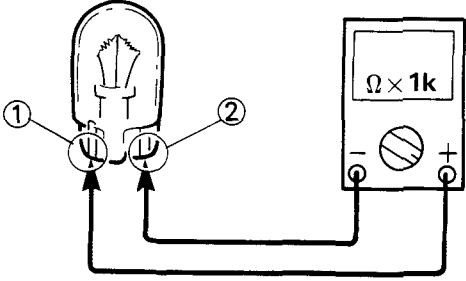
DISPLAY SYSTEM TEST AND CHECK

1. "NEUTRAL" indicator light does not come on.

1. Bulb check

- Remove the bulb.
- Connect the Pocket Tester ($\Omega \times 1k$) to the bulb.

Tester (+) Lead \rightarrow Terminal ①
Tester (-) Lead \rightarrow Terminal ②



- Check the bulb for continuity.

NOCONTINUITY

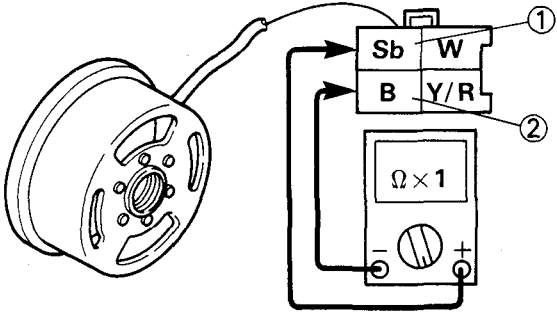
Bulb is faulty, replace it.

CONTINUITY

2. Neutral switch check

- Disconnect the CDI magneto coupler (Sky blue, White, Black and Yellow/Red) from the wireharness.
- Connect the Pocket Tester ($\Omega \times 1$) to the neutral switch leads.

Tester (+) Lead \rightarrow Sky blue ① Lead
Tester (-) Lead \rightarrow Black ② Lead



- Shift the transmission in neutral and gear.
- Check the neutral switch for continuity.

Transmission position	Good condition			Bad condition		
	○	×	×	○	×	○
Neutral	○	×	×	○	×	○
Gear	×	○	×	○	×	○

○: Continuity ×: Nocontinuity

BAD CONDITION

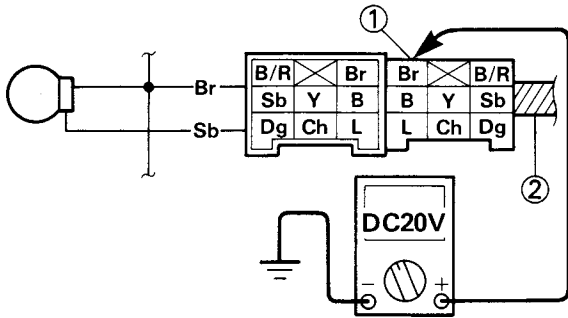
Neutral switch is faulty, replace it.

GOOD CONDITION

3. Voltage check

- Connect the Pocket Tester (DC20V) to the "NEUTRAL" indicator light lead.

Tester (+) Lead → Brown ① Lead
 Tester (-) Lead → Frame Ground



OUT OF SPECIFICATION

Wiring circuit from main switch to "NEUTRAL" indicator light connector is faulty, repair.

- ② Wireharness
- Check for voltage (6V) on the "Brown" lead at the connector.

MEETS SPECIFICATION (6V)

Ignition control unit is faulty, replace it.



2. "OIL" warning indicator light does not come on.

1. "OIL" warning indicator light (L.E.D.) check

- Disconnect the meter coupler (Black/Red, Brown, Sky blue, Yellow, Black, Dark green, Chocolate and Blue) from the wireharness.
- Connect a full charged battery (6V) to the meter coupler.

Battery (+) Lead → Brown ① Lead
Battery (-) Lead → Black/Red ② Lead

INDICATOR LIGHT DOES NOT COME ON.

"OIL" warning indicator light (L.E.D.) is faulty, replace it.

INDICATOR LIGHT COMES ON.

2. Oil level switch check (1)

- Remove the oil level switch from the oil tank.
- Connect the Pocket Tester ($\Omega \times 1$) to the oil level switch lead.

Tester (+) Lead → Black/Red ① Lead
Tester (-) Lead → Sky blue ② Lead

- Check the oil level switch for continuity.

NOCONTINUITY

Oil level switch is faulty, replace it.

CONTINUITY

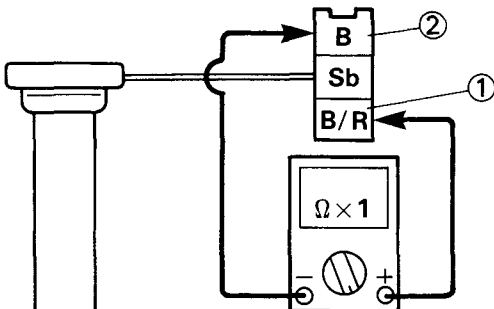
*



3. Oil level switch check (2)

- Connect the Pocket Tester ($\Omega \times 1$) to the oil level switch.

Tester (+) Lead \rightarrow Black/Red ① Lead
 Tester (-) Lead \rightarrow Black ② Lead



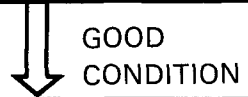
- Check the oil level switch for continuity.

Switch position	Good condition	Bad condition		
Upright position	○	×	×	○
Up-side down position	×	○	×	○

○: Continuity ×: Nocontinuity

BAD CONDITION

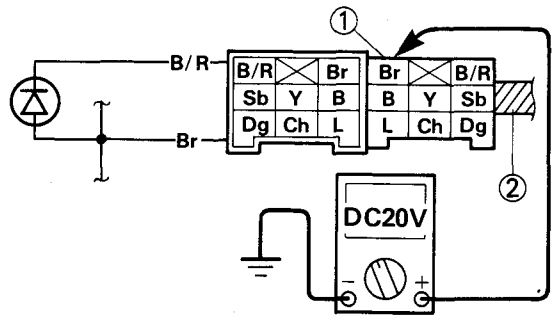
Oil level switch is faulty, replace it.



4. Voltage check

- Connect the Pocket Tester (DC20V) to the "OIL" warning indicator light.

Tester (+) Lead \rightarrow Brown ① Lead
 Tester (-) Lead \rightarrow Frame Ground



② Wireharness



- Check for voltage (6V) on the "Brown" lead at connector.

MEETS SPECIFICATION (6V)

Wiring connection is faulty, correct.

OUT OF SPECIFICATION

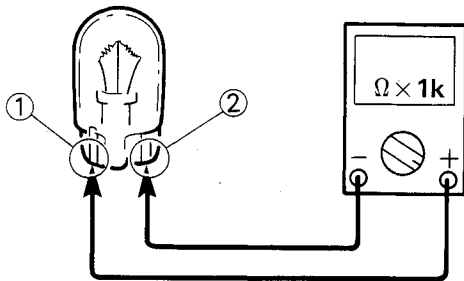
Wiring circuit from main switch to "OIL" warning indicator light connector is faulty, repair.

3. "TURN" indicator light does not come on.

1. Bulb Check

- Remove the bulb.
- Connect the Pocket Tester ($\Omega \times 1k$) to the bulb.

Tester (+) Lead → Terminal ①
 Tester (-) Lead → Terminal ②



- Check the bulb for continuity.

NOCONTINUITY

Bulb is faulty, replace it.

CONTINUITY

2. "TURN" switch check

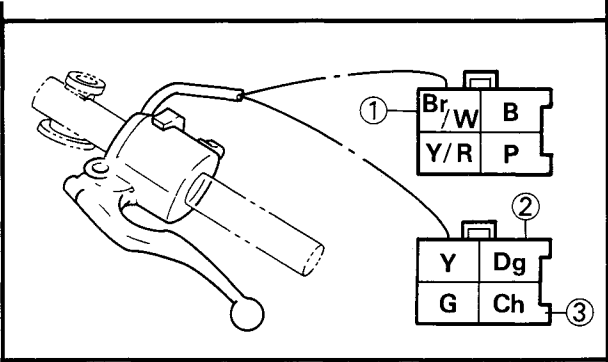
- Disconnect the handlebar switch couplers [(Chocolate, Dark green, Yellow and Green) (Black, Pink, Yellow/Red and Brown/White)] from the wireharness.
- Connect the Pocket Tester ($\Omega \times 1$) to the "TURN" switch leads.

When turning "TURN" switch to "R":

Tester (+) Lead → Brown/White ① Lead
 Tester (-) Lead → Dark green ② Lead

When turning "TURN" switch to "R":

Tester (+) Lead → Brown/White ① Lead
 Tester (-) Lead → Chocolate ③ Lead



- Turn the "TURN" switch to the "R" and "L".
- Check the "TURN" switch for continuity.

Switch position	Good condition	Bad condition		
R	○	×	○	×
L	○	○	×	×

○: Continuity ×: Nocontinuity

BAD CONDITION

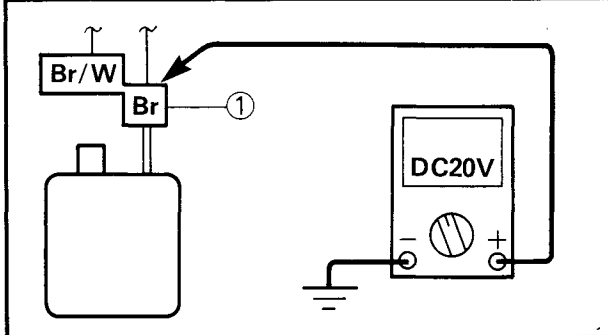
"TURN" switch is faulty, replace handlebar switch.

GOOD CONDITION

3. Voltage check

- Connect the Pocket Tester (DC20V) to the flasher relay.

Tester (+) Lead → Brown ① Lead
 Tester (-) Lead → Frame Ground



OUT OF SPECIFICATION

Wiring circuit from main switch to flasher relay connector is faulty, repair.

- Check for voltage (6V) on the "Brown" lead at the flasher relay terminal.

MEET SPECIFICATION (6V)

Flasher relay is faulty, replace it.

ELEC



TROUBLESHOOTING

NOTE:

The following troubleshooting does not cover all the possible causes of trouble. It should be helpful, however, as a guide to troubleshooting. Refer to the relative procedure in this manual for inspection, adjustment and replacement of parts.

STARTING FAILURE/HARD STARTING

FUEL SYSTEM	PROBABLE CAUSE
Fuel tank	<ul style="list-style-type: none"> • Empty • Clogged fuel filter • Clogged air passage (Fuel tank cap) • Deteriorated fuel or fuel containing water or foreign material
Fuel cock	<ul style="list-style-type: none"> • Clogged fuel hose
Carburetor	<ul style="list-style-type: none"> • Deteriorated fuel, fuel containing water or foreign material • Clogged pilot jet • Clogged pilot air passage • Sucked-in air • Deformed float • Groove-worn needle valve • Improperly sealed valve seat • Improperly adjusted fuel level • Improperly set pilot jet • Clogged starter jet • Starter plunger malfunction • Improperly adjusted starter cable
Air cleaner	<ul style="list-style-type: none"> • Clogged air filter

STARTING FAILURE/HARD STARTING

TRBL SHTG	?
--------------	---

ELECTRICAL SYSTEM

PROBABLE CAUSE

Spark plug	<ul style="list-style-type: none">• Improper plug gap• Worn electrodes• Wire between terminals broken• Improper heat range• Faulty spark plug cap
Ignition coil	<ul style="list-style-type: none">• Broken or shorted primary/secondary• Faulty spark plug lead• Broken body
C.D.I. unit system	<ul style="list-style-type: none">• Faulty C.D.I. unit• Faulty source coil• Faulty pick-up coil• Broken woodruff key
Switches and wiring	<ul style="list-style-type: none">• Faulty main switch• Faulty engine stop switch• Broken or shorted wiring• Faulty neutral switch• Faulty sidestand switch• Faulty Ignition control unit

STARTING FAILURE/HARD STARTING/POOR IDLE SPEED PERFORMANCE

TRBL
SHTG



COMPRESSION SYSTEM

PROBABLE CAUSE

- Cylinder and cylinder head
 - Loose spark plug
 - Loose cylinder head or cylinder
 - Broken cylinder head gasket
 - Broken cylinder gasket
 - Worn, damaged or seized cylinder
- Piston and piston rings
 - Improperly installed piston ring
 - Worn, fatigued or broken piston ring
 - Seized piston ring
 - Seized or damaged piston
- Crankcase and crankshaft
 - Improperly seated crankcase
 - Improperly sealed crankcase (Damaged oil seal)
 - Seized crankshaft
- Reed valve
 - Deformed reed valve stopper
 - Improperly seated reed valve
 - Loose intake manifold
 - Broken gasket
 - Broken reed valve

POOR IDLE SPEED PERFORMANCE

POOR IDLE SPEED PERFORMANCE

PROBABLE CAUSE

- Carburetor
 - Improperly returned starter plunger
 - Clogged or loose pilot jet
 - Clogged pilot air jet
 - Improperly adjusted idle speed (Throttle stop screw)
 - Improper throttle cable play
 - Flooded carburetor

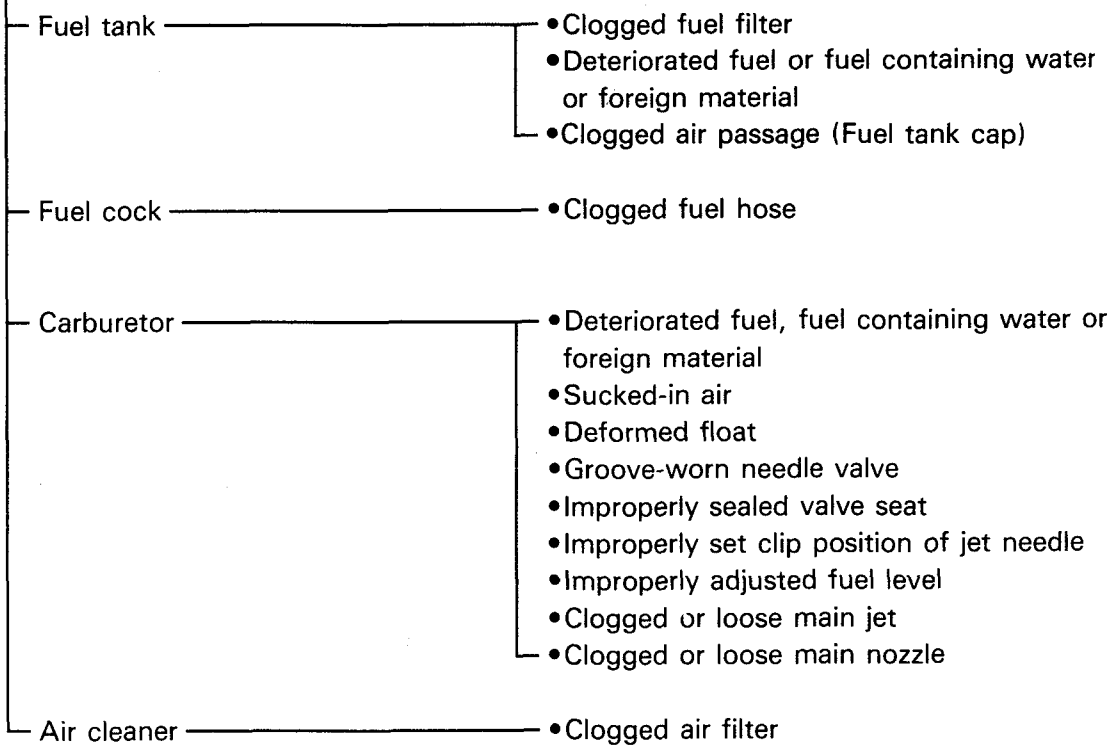
POOR MEDIUM AND HIGH SPEED PERFORMANCE



POOR MEDIUM AND HIGH SPEED PERFORMANCE

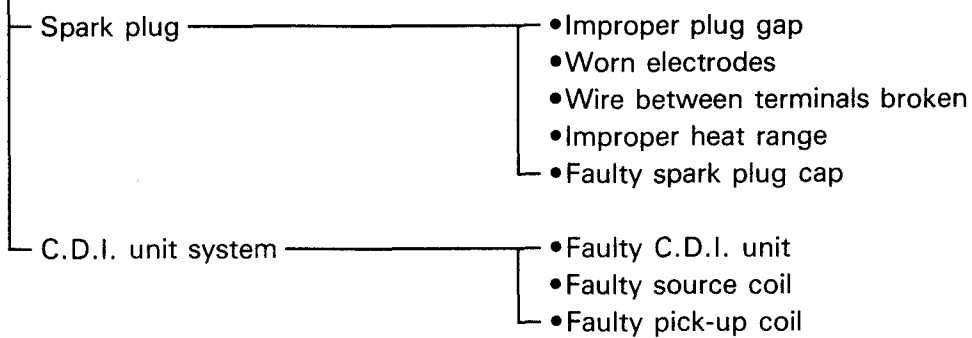
FUEL SYSTEM

PROBABLE CAUSE



ELECTRICAL SYSTEM

PROBABLE CAUSE

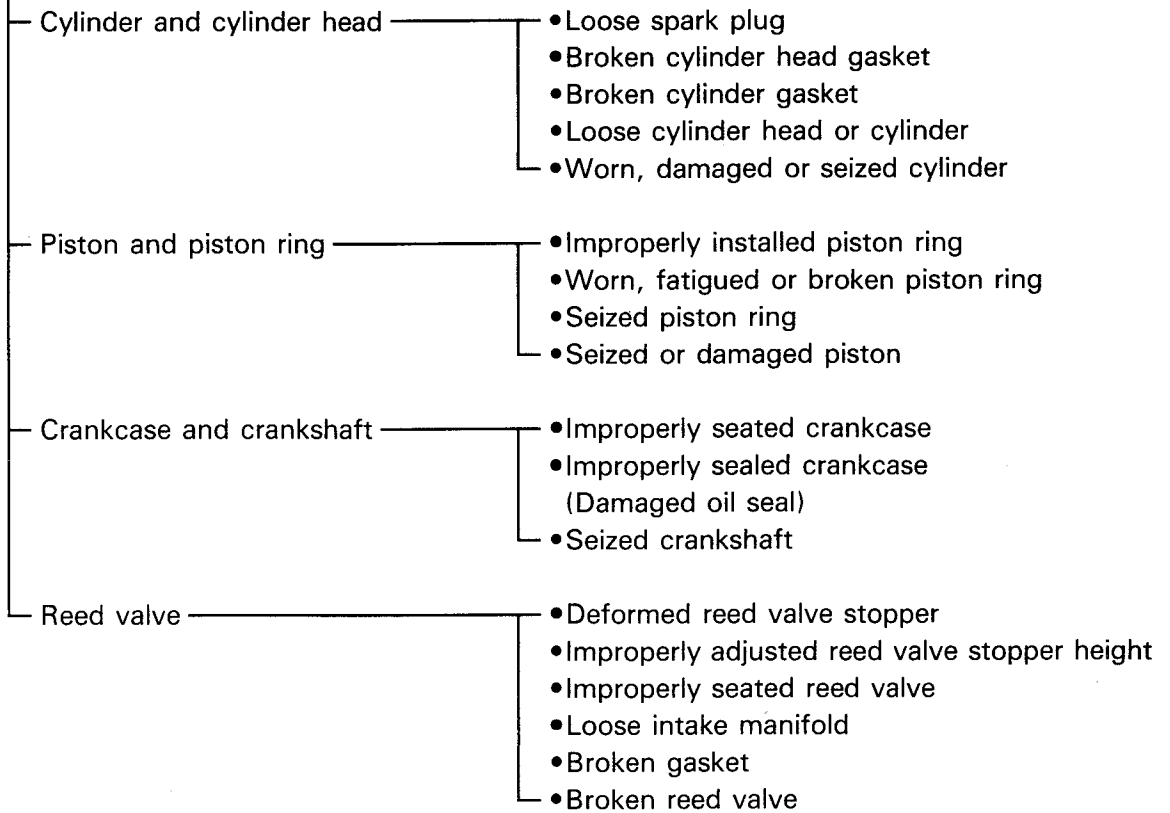


POOR MEDIUM AND HIGH SPEED PERFORMANCE



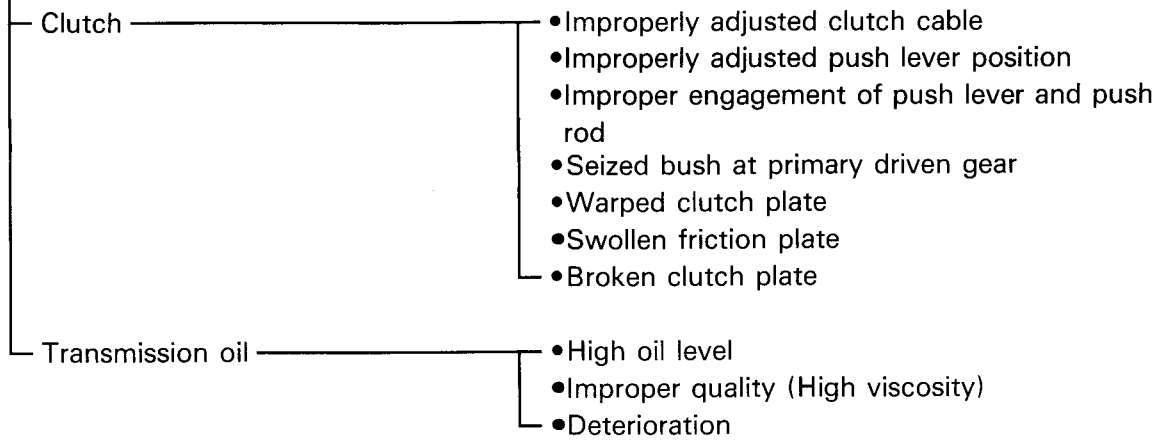
COMPRESSION SYSTEM

PROBABLE CAUSE

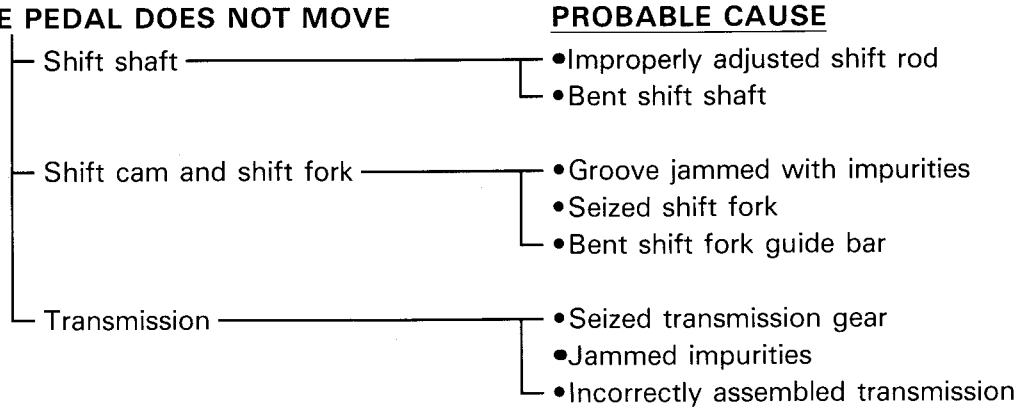


FAULTY GEAR SHIFTING

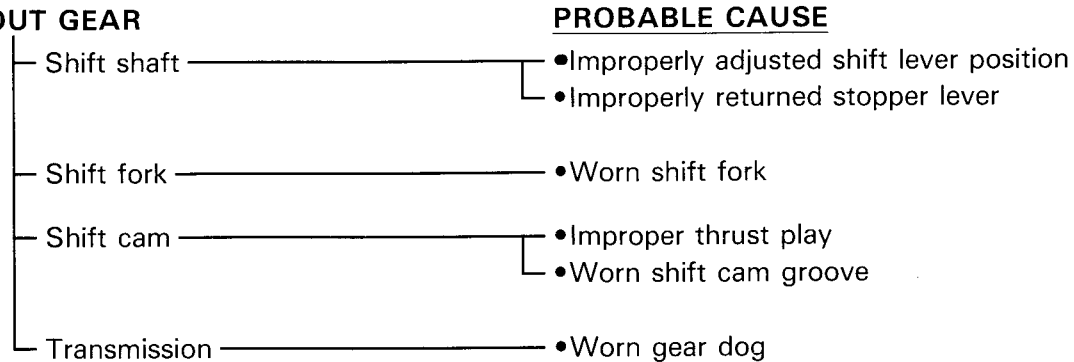
HARD SHIFTING



CHANGE PEDAL DOES NOT MOVE



JUMP-OUT GEAR

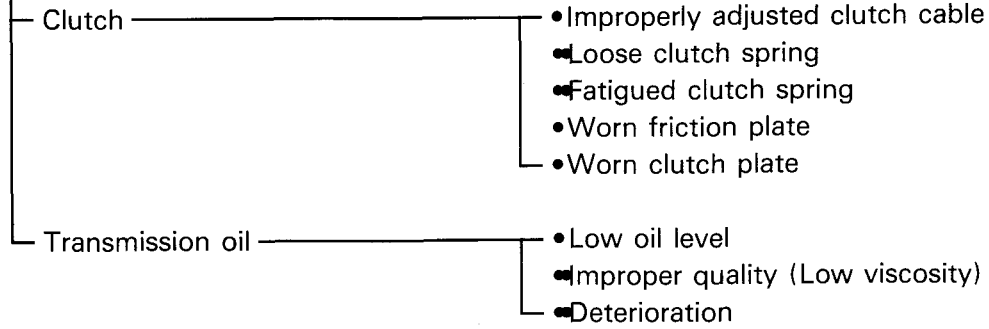


CLUTCH SLIPPING/DRAGGING

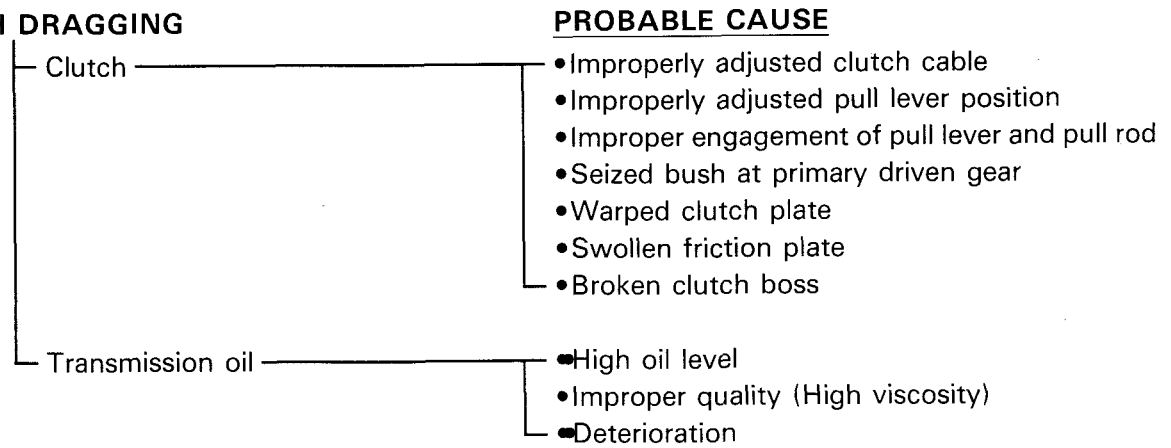
TRBL SHTG	?
----------------------------	----------

CLUTCH SLIPPING/DRAGGING

CLUTCH SLIPPING



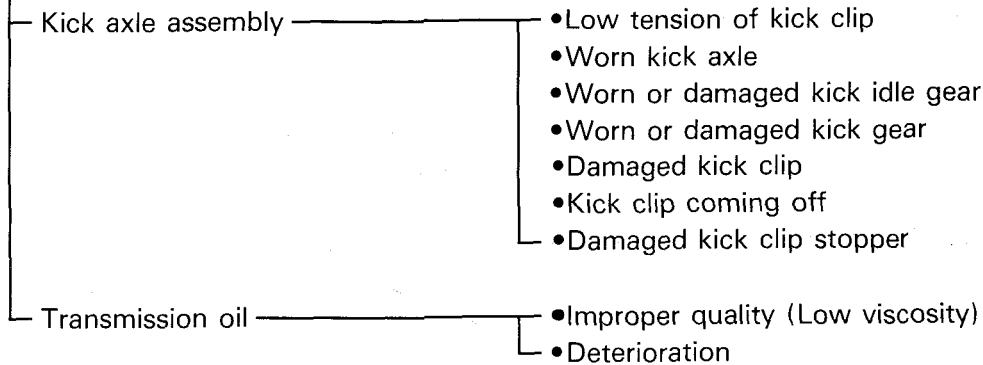
CLUTCH DRAGGING



IMPROPER KICKING

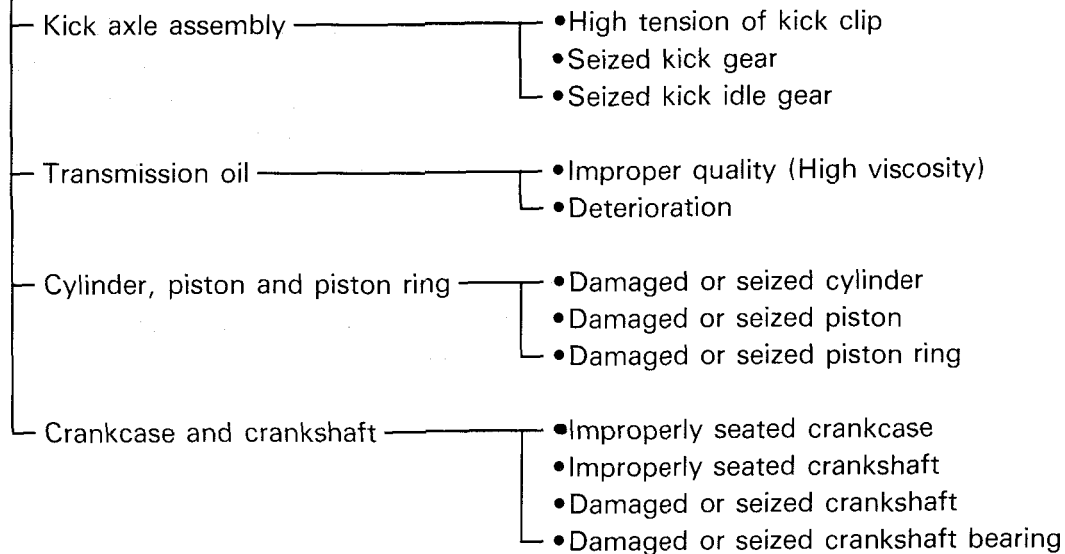
SLIPPING

PROBABLE CAUSE



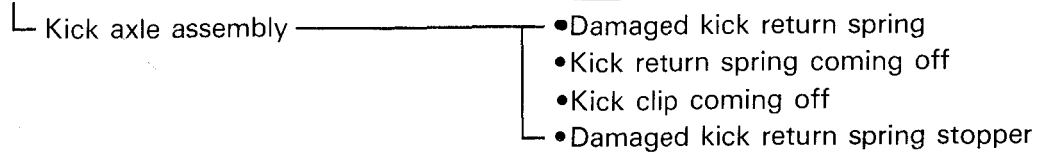
HARD KICKING

PROBABLE CAUSE



KICK CRANK NOT RETURNING

PROBABLE CAUSE



FAULTY BRAKE/FRONT FORK OIL LEAKAGE AND FRONT FORK MALFUNCTION

TRBL
SHTG

?

FAULTY BRAKE

POOR BRAKING EFFECT

Disc brake

PROBABLE CAUSE

- Worn brake pad
- Worn brake disc
- Air in brake fluid
- Leaking brake fluid
- Faulty cylinder kit cup
- Faulty caliper kit seal
- Loosen union bolt
- Broken brake hose
- Oily or greasy brake disc
- Oily or greasy brake pad
- Improper brake fluid level

Drum brake

- Worn brake shoe
- Worn or rusty brake drum
- Improperly adjusted brake cable/pedal free play
- Improper brake cam lever position
- Improper brake shoe position
- Fatigued or/damaged return spring
- Oily or greasy brake shoe
- Rusty, oily or greasy brake drum
- Broken brake cable

FRONT FORK OIL LEAKAGE AND FRONT FORK MALFUNCTION

OIL LEAKAGE

PROBABLE CAUSE

- Bent, damaged or rusty inner tube
- Damaged or cracked outer tube
- Damaged oil seal lip
- Improperly installed oil seal
- Improper oil level (too much)
- Loose damper rod holding bolt
- Broken cap bolt O-ring
- Loose drain bolt
- Damaged drain bolt gasket

MALFUNCTION

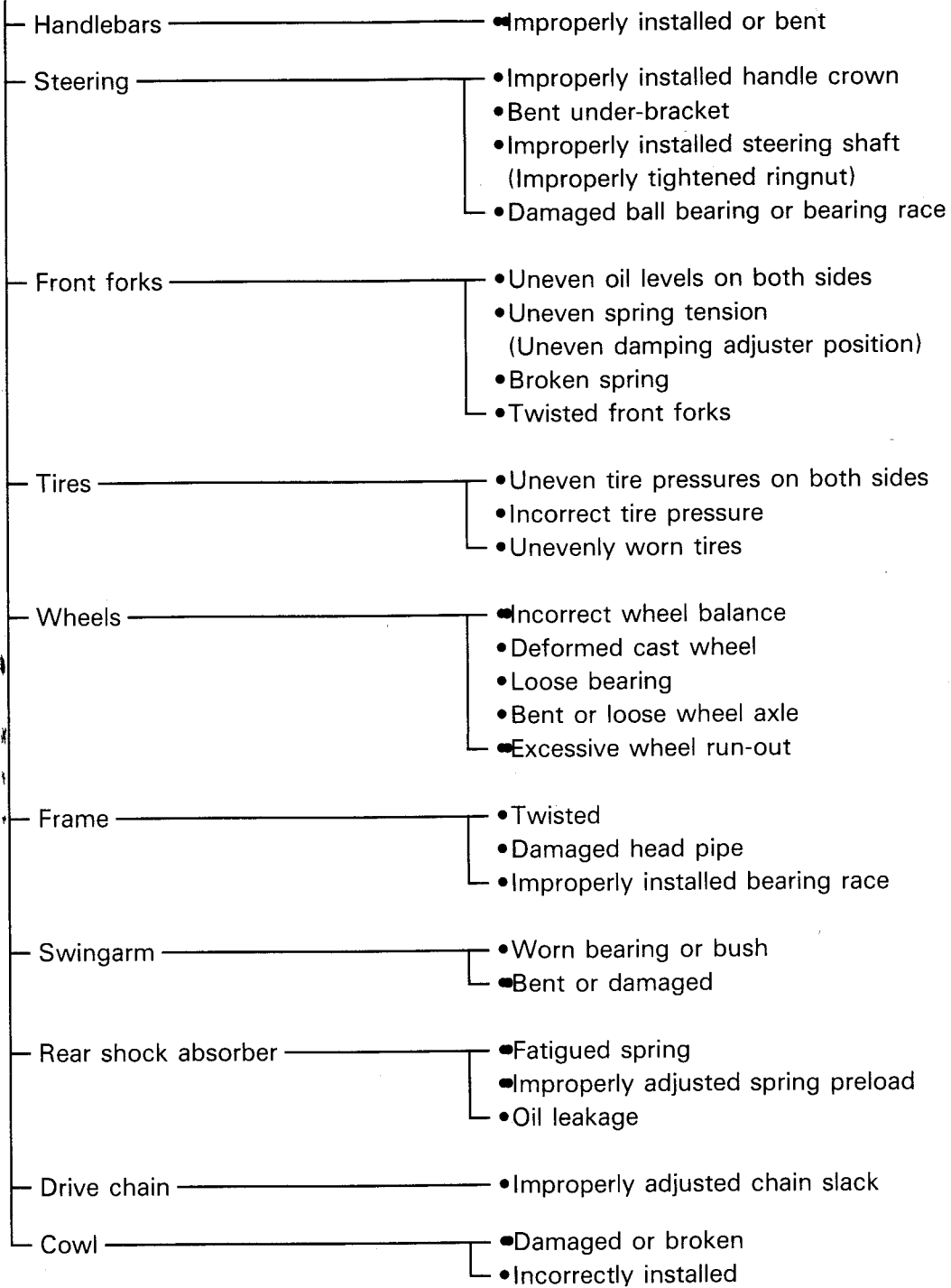
PROBABLE CAUSE

- Bent, deformed or damaged inner tube
- Bent or deformed outer tube
- Damaged fork spring
- Worn or damaged slide metal
- Bent or damaged damper rod
- Improper oil viscosity
- Improper oil level

INSTABLE HANDLING

INSTABLE HANDLING

PROBABLE CAUSE



FAULTY SIGNAL AND LIGHTING SYSTEM

HEADLIGHT DARK

PROBABLE CAUSE

- Improper bulb
- Too many electric accessories
- Hard charging (Broken charging coil and/or faulty rectifier/regulator)
- Incorrect connection
- Improperly grounded
- Poor contacts (main or light switch)
- Bulb life expired

BULB BURNT OUT

PROBABLE CAUSE

- Improper bulb
- Faulty battery
- Faulty rectifier/regulator
- Improperly grounded
- Faulty main and/or light switch
- Bulb life expired

FLASHER DOES NOT LIGHT

PROBABLE CAUSE

- Improperly grounded
- Discharged battery
- Faulty flasher switch
- Faulty flasher relay
- Broken wireharness
- Loosely connected coupler
- Bulb burnt out

FLASHER KEEPS ON

PROBABLE CAUSE

- Faulty flasher relay
- Insufficient battery capacity (nearly discharged)
- Bulb burnt out

FAULTY SIGNAL AND LIGHTING SYSTEM

TRBL SHTG	?
--------------	---

FLASHER WINKS SLOWER

PROBABLE CAUSE

- Faulty flasher relay
- Insufficient battery capacity (nearly discharged)
- Improper bulb
- Faulty main and/or flasher switch

FLASHER WINKS QUICKER

PROBABLE CAUSE

- Improper bulb
- Faulty flasher relay

HORN IS INOPERATIVE

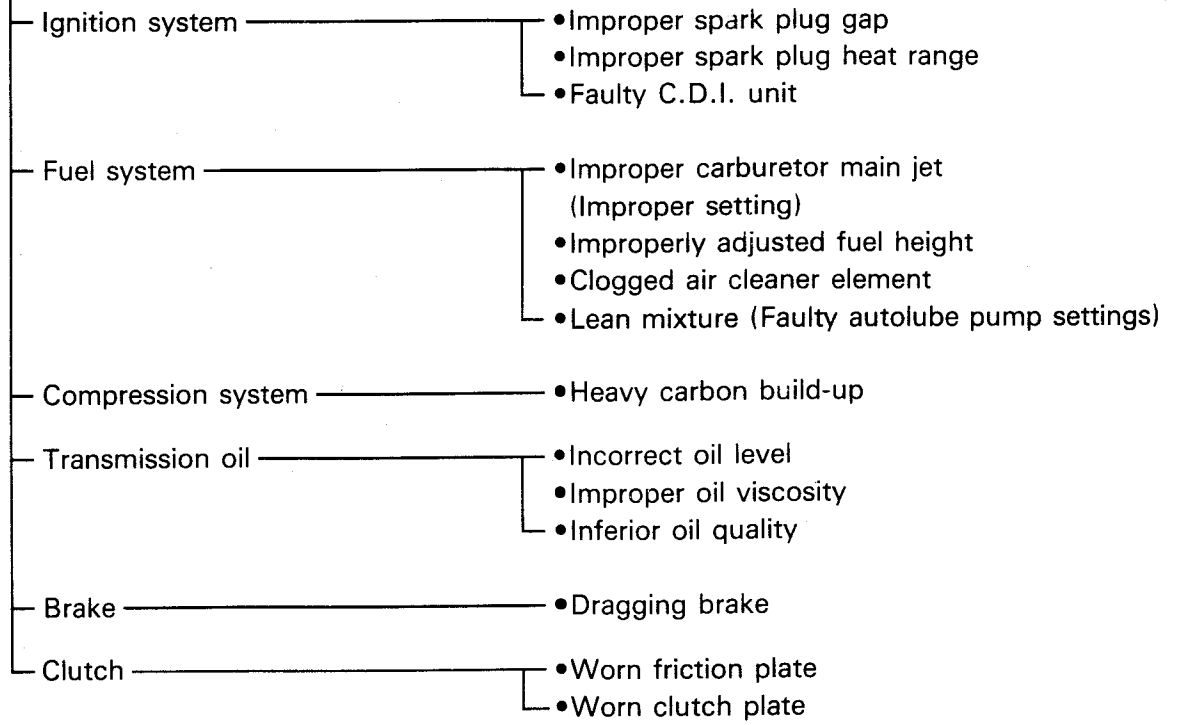
PROBABLE CAUSE

- Faulty battery
- Faulty main and/or horn switch
- Improperly adjusted horn
- Faulty horn
- Broken wireharnes

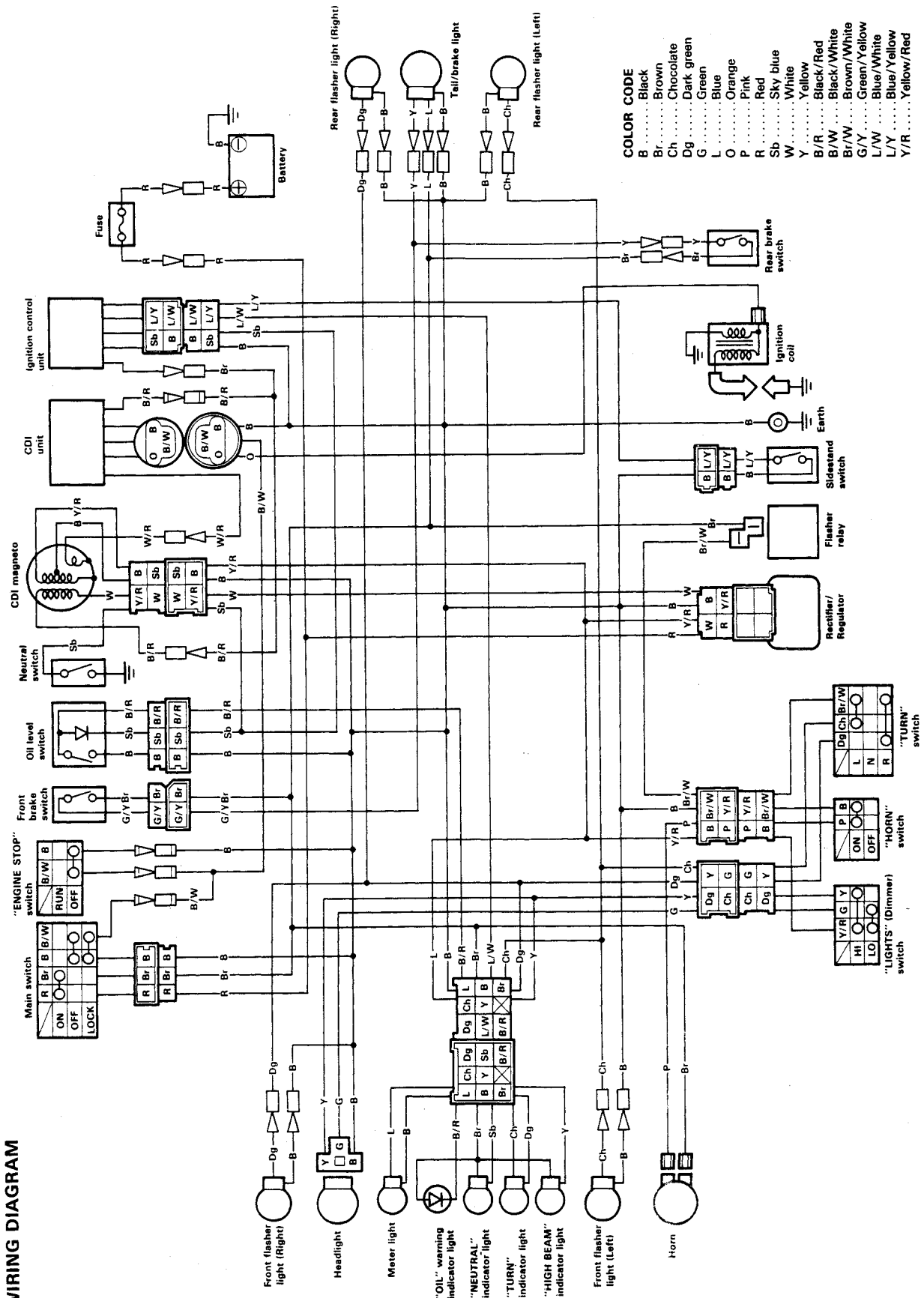
OVERHEATING

OVERHEATING

PROBABLE CAUSE



YSR50T WIRING DIAGRAM



COLOR CODE

- B Black
- Br Brown
- Ch Chocolate
- Dg Dark green
- G Green
- L Blue
- O Orange
- P Pink
- R Red
- Sb Sky blue
- W White
- Y Yellow
- B/R Black/Red
- B/W Black/White
- Br/W Brown/White
- G/Y Green/Yellow
- L/W Blue/White
- L/Y Blue/Yellow
- Y/R Yellow/Red