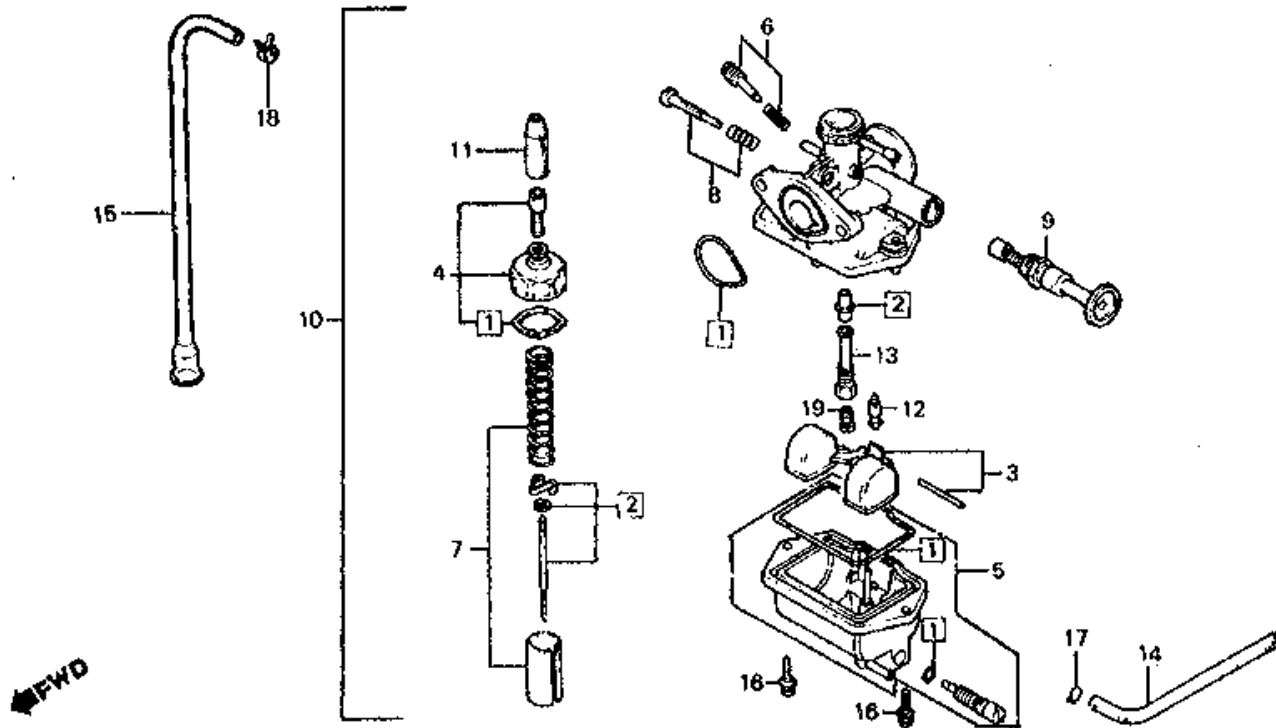


American Honda Motor Co., Inc.

Illustration: CARBURETOR (E 10)

MOTORCYCLE,-----,MB5,1982



PROGRAM AND DATA ARE THE PROPERTY OF AMERICAN HONDA MOTOR CO., INC.

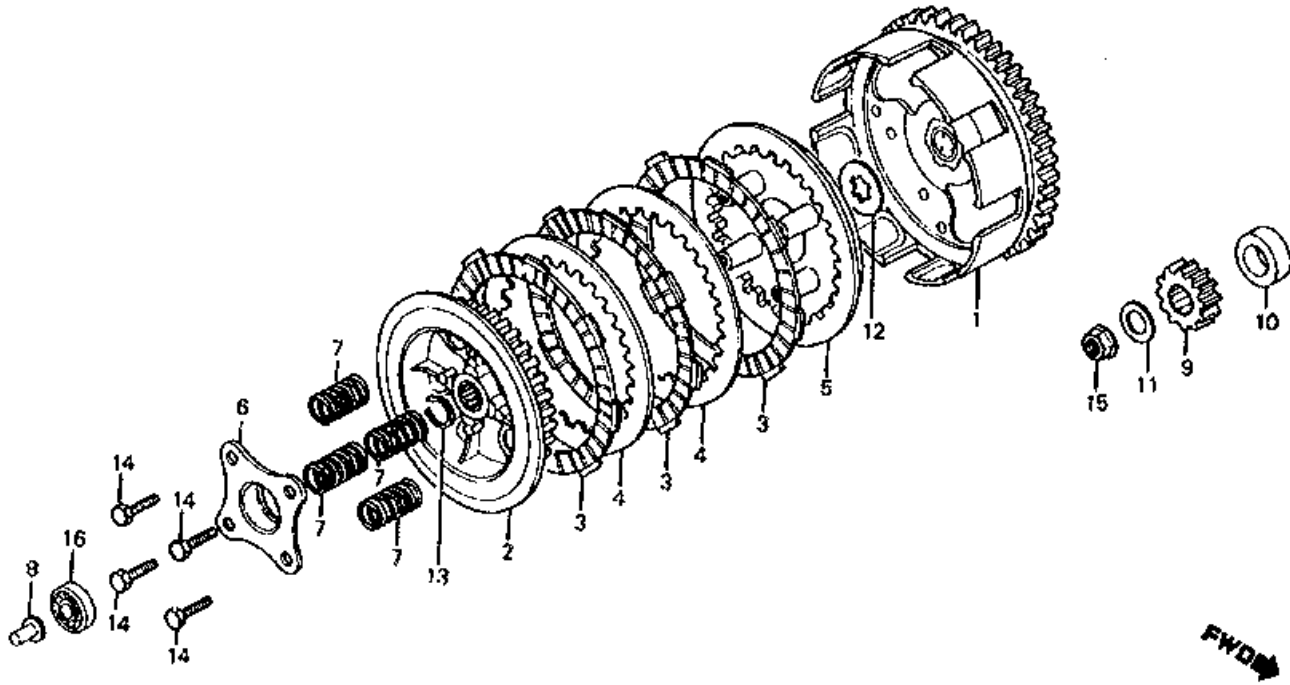
Parts List

Ref.	Part Desc.	Mod.	Qty.	Part Number	Area	Org.	ColorLabel
001	GASKET SET		001	16010-166-004	A	JPN	
002	NEEDLE SET, JET	X	001	16012-166-014	A	JPN	
003	FLOAT SET		001	16013-166-004	A	JPN	
004	TOP SET		001	16014-166-004	A	JPN	
005	CHAMBER SET, FLOAT		001	16015-166-014	A	JPN	
006	SCREW SET A		001	16016-166-004	A	JPN	
007	VALVE SET, THROTTLE		001	16022-166-004	A	JPN	
008	SCREW SET B		001	16028-166-004	A	JPN	
009	VALVE, STARTER		001	16046-166-014	A	JPN	
010	CARBURETOR ASSY.	X	001	161A0-166-044	A	JPN	
011	CAP, CABLE SEALING		001	16118-166-004	A	JPN	
012	VALVE, FLOAT		001	16155-883-005	A	JPN	
013	HOLDER, NEEDLE JET		001	16165-166-004	A	JPN	
014	TUBE, OVERFLOW		001	16199-166-004	A	JPN	
015	TUBE, OIL		001	17504-147-010	A	JPN	
016	SCREW-WASHER (4X16)		002	93892-04016-08	A	JPN	
017	CLIP, TUBE (B7)		001	95002-02070	A	JPN	
018	CLIP, TUBE (D8)		001	95002-40800-08	A	JPN	
019	JET, MAIN (#95)		(1)	99101-166-0950	A	JPN	
019	JET, MAIN (#105)		001	99101-166-1050	A	JPN	

American Honda Motor Co., Inc.

Illustration:CLUTCH (E 03)

MOTORCYCLE,-----,MB5,1982



PROGRAM AND DATA ARE THE PROPERTY OF AMERICAN HONDA MOTOR CO., INC.

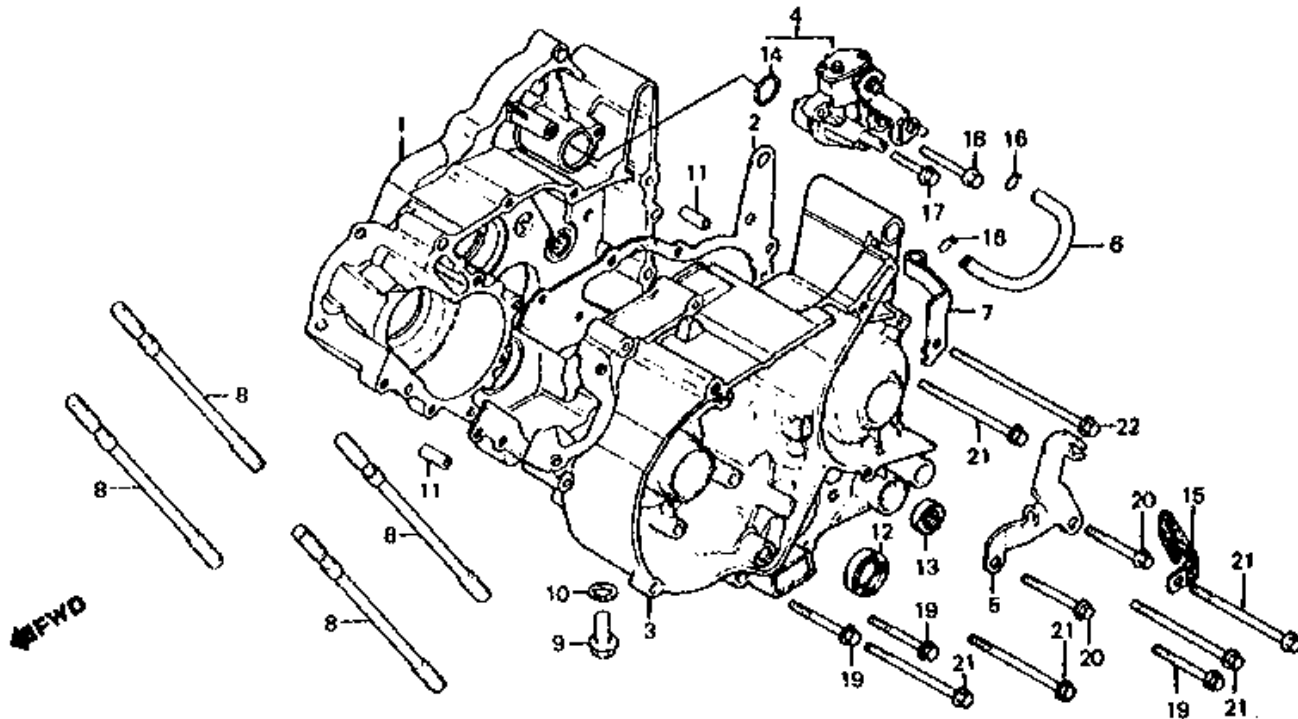
Parts List

Ref.	Part Desc.	Mod.	Qty.	Part Number	Area	Org.	ColorLabel
001	CLUTCH OUTER	X	001	22100-166-010	A	JPN	
002	CENTER, CLUTCH		001	22121-115-010	A	JPN	
003	DISK, CLUTCH FRICTION	M	003	22201-GF6-000	A	JPN	
004	PLATE, CLUTCH		002	22311-KN4-680	A	JPN	
005	PLATE, CLUTCH PRESSURE		001	22350-115-020	A	JPN	
006	PLATE, CLUTCH LIFTER		001	22361-166-000	A	JPN	
007	SPRING, CLUTCH		004	22401-166-000	A	JPN	
008	ROD, CLUTCH LIFTER		001	22847-166-000	A	JPN	
009	GEAR, PRIMARY DRIVE	X	001	23121-166-000	A	JPN	
010	COLLAR, R. CRANKSHAFT		001	90435-166-000	A	JPN	
011	WASHER, PLAIN (12MM)		001	90440-166-000	A	JPN	
012	WASHER B, SPLINE (17MM)		001	90462-115-010	A	JPN	
013	CIRCLIP (OUTER) (17MM)		001	90601-001-000	A	JPN	
014	BOLT, HEX. (6X25)	M	004	92025-06025-0A	A	JPN	
015	NUT, FLANGE (12MM)		001	94050-12000	A	JPN	
016	BEARING, RADIAL BALL (6000)	M	001	96100-60000-00	A	JPN	

American Honda Motor Co., Inc.

Illustration: CRANKCASE @ OIL PUMP (E 06)

MOTORCYCLE,-----,MB5,1982



PROGRAM AND DATA ARE THE PROPERTY OF AMERICAN HONDA MOTOR CO., INC.

Parts List

Ref.	Part Desc.	Mod.	Qty.	Part Number	Area	Org.	ColorLabel
001	CRANKCASE, R.	X	001	11101-166-670	A	JPN	
002	GASKET, CRANKCASE	X	001	11191-166-670	A	JPN	
003	CRANKCASE, L.	X	001	11201-166-670	A	JPN	
004	PUMP ASSY., OIL (HONDALOCK)	W	001	15100-166-013	A	JPN	
005	RECEIVER, OIL PUMP CABLE		001	15151-166-000	A	JPN	
006	TUBE, OIL PASSAGE		001	15525-166-000	A	JPN	
007	CLAMP, OVERFLOW TUBE		001	16236-168-000	A	JPN	
008	BOLT, CYLINDER STUD		004	90031-166-000	A	JPN	
009	BOLT, DRAIN PLUG (12MM)		001	90041-166-000	A	JPN	
010	GASKET, DRAIN VALVE (12.5X20)		001	90407-259-000	A	JPN	
010	WASHER, DRAIN PLUG (12MM)		001	94109-12000	A	JPN	
011	PIN, DOWEL (8X20.5)		002	90705-639-000	A	JPN	
012	OIL SEAL (20X32X7) (NOK)		001	91205-166-004	A	JPN	
013	OIL SEAL (12X22X7) (ARAI)		001	91209-612-003	A	JPN	
014	O-RING (18.3X2.3) (ARAI)		001	91301-147-023	A	JPN	
015	CLIP, WIRE		001	91406-166-000	A	JPN	
016	CLIP, TUBE (B6.5)		002	95002-02650	A	JPN	
017	BOLT, FLANGE (6X20)		001	96001-06020-00	A	JPN	

American Honda Motor Co., Inc.

Illustration:CRANKCASE @ OIL PUMP (E 06)

MOTORCYCLE,-----,MB5,1982

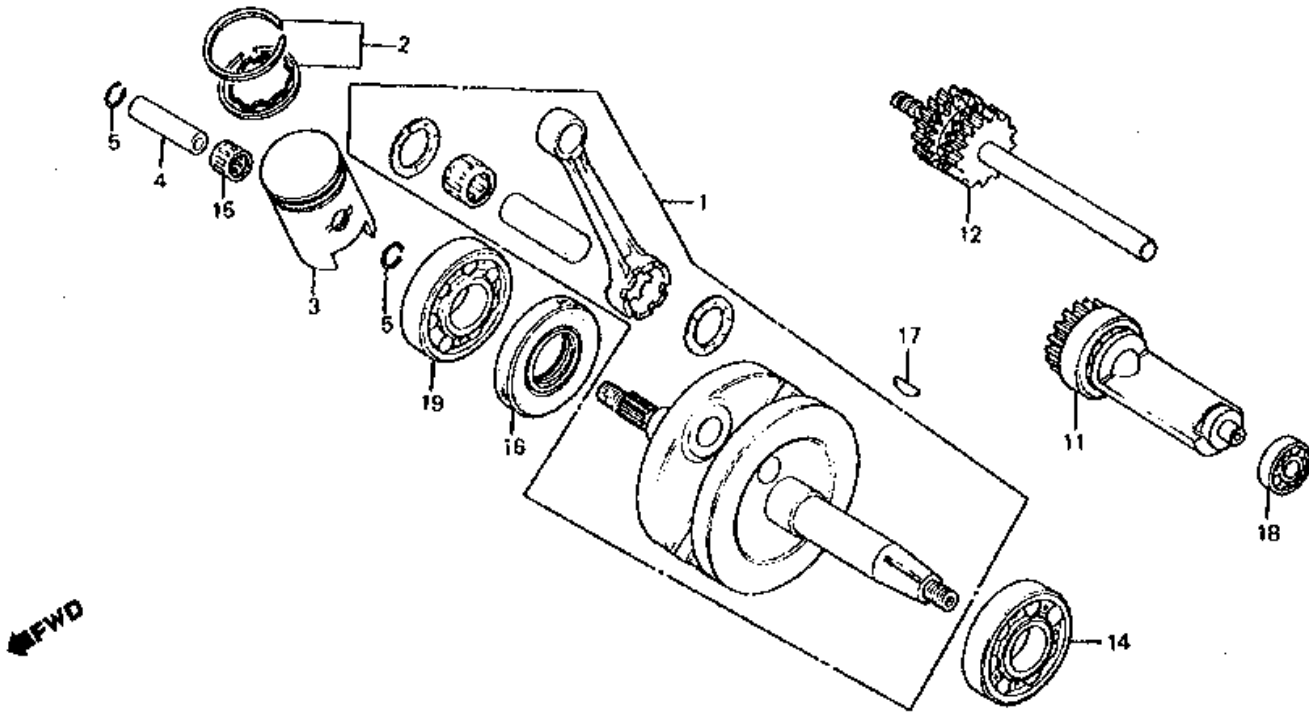
Parts List

Ref.	Part Desc.	Mod.	Qty.	Part Number	Area	Org.	ColorLabel
018	BOLT, FLANGE (6X35)		001	96001-06035-00	A	JPN	
019	BOLT, FLANGE (6X40)		003	96001-06040-00	A	JPN	
020	BOLT, FLANGE (6X45)		002	96001-06045-00	A	JPN	
021	BOLT, FLANGE (6X65)		005	96001-06065-00	A	JPN	
022	BOLT, FLANGE (6X110)		001	96001-06110-00	A	JPN	

American Honda Motor Co., Inc.

Illustration:CRANKSHAFT @ PISTON (E 07)

MOTORCYCLE,-----,MB5,1982



PROGRAM AND DATA ARE THE PROPERTY OF AMERICAN HONDA MOTOR CO., INC.

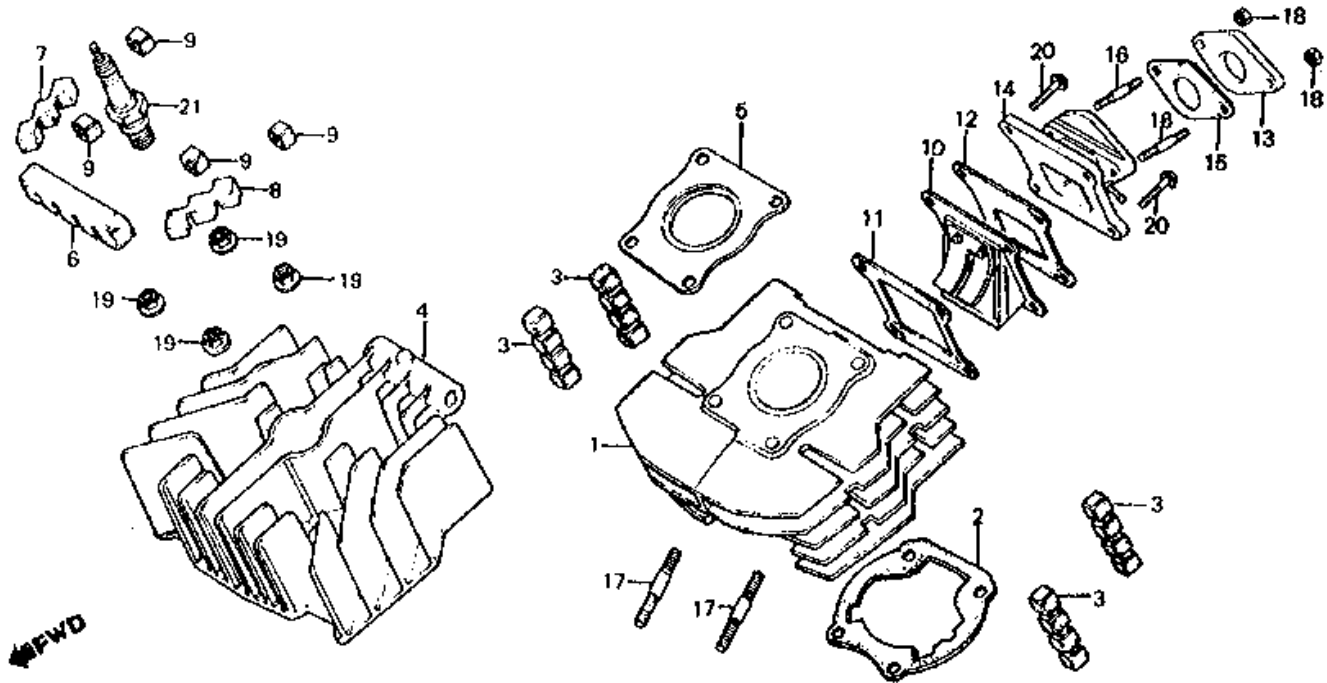
Parts List

Ref.	Part Desc.	Mod.	Qty.	Part Number	Area	Org.	ColorLabel
001	CRANKSHAFT	X	001	13000-166-010	A	JPN	
002	RING SET, PISTON (STD) (RIKEN)		001	13011-166-003	A	JPN	
003	PISTON (STD)		001	13103-167-000	A	JPN	
004	PIN, PISTON		001	13111-166-000	A	JPN	
005	CLIP, PISTON PIN (12MM)		002	13115-156-000	A	JPN	
011	SHAFT, BALANCER		001	13420-166-000	A	JPN	
012	SHAFT, BALANCER IDLE		001	13430-GT5-690	A	JPN	
014	BEARING, RADIAL BALL (6222)		001	91005-166-023	A	JPN	
015	BEARING, CONNECTING ROD SMALL END (TOMUSON)		001	91102-GC8-004	A	JPN	
016	OIL SEAL (28X56X8)		001	91201-KE6-831	A	JPN	
017	KEY, WOODRUFF (25X14)		001	94401-25140	A	JPN	
018	BEARING, RADIAL BALL (6001)		001	96100-60010-00	A	JPN	
019	BEARING, RADIAL BALL (6204)		001	96100-62043-00	A	JPN	

American Honda Motor Co., Inc.

Illustration: CYLINDER @ CYLINDER HEAD (E 01)

MOTORCYCLE,-----,MB5,1982



PROGRAM AND DATA ARE THE PROPERTY OF AMERICAN HONDA MOTOR CO., INC.

Parts List

Ref.	Part Desc.	Mod.	Qty.	Part Number	Area	Org.	ColorLabel
001	CYLINDER	X	001	12100-166-010	A	JPN	
002	GASKET, CYLINDER		001	12191-167-670	A	JPN	
003	RUBBER C, INSERT		004	12195-166-000	A	JPN	
004	CYLINDER HEAD	X	001	12200-166-020	A	JPN	
005	GASKET, CYLINDER HEAD		001	12251-166-000	A	JPN	
006	RUBBER F, INSERT		001	12295-166-000	A	JPN	
007	RUBBER, R. INSERT		001	12296-166-000	A	JPN	
008	RUBBER, L. INSERT		001	12297-166-000	A	JPN	
009	RUBBER S, INSERT		004	12298-166-000	A	JPN	
010	VALVE, REED		001	14100-166-003	A	JPN	
011	GASKET A, REED VALVE		001	14132-167-670	A	JPN	
012	GASKET B, REED VALVE		001	14133-167-670	A	JPN	
013	INSULATOR, CARBURETOR	X	001	16211-166-306	A	JPN	
014	PIPE, INLET	X	001	17100-166-000	A	JPN	
015	GASKET, IN. PIPE	M	001	17119-166-010	A	JPN	
016	BOLT 2, STUD (6X18)		002	92900-06018-1B	A	JPN	
017	BOLT, STUD (8X35)		002	92900-08019-0B	A		

American Honda Motor Co., Inc.

Illustration:CYLINDER @ CYLINDER HEAD (E 01)

MOTORCYCLE,-----,MB5,1982

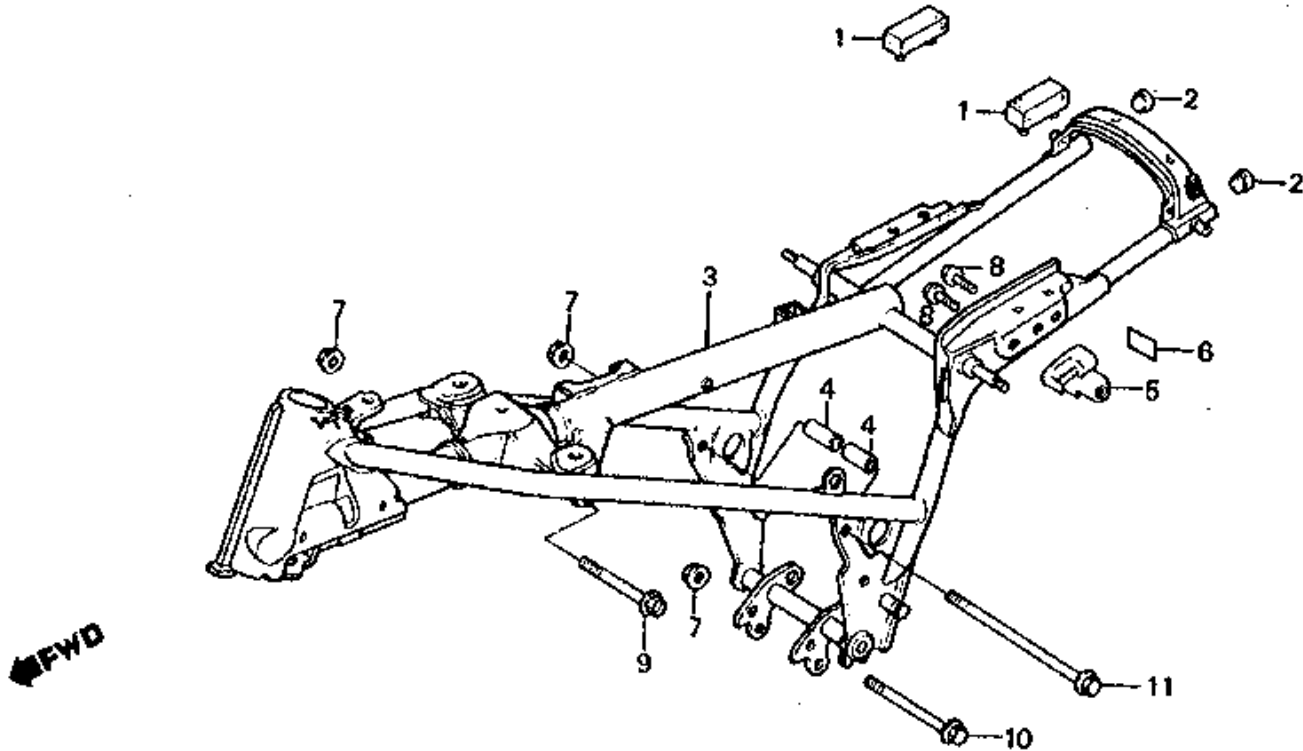
Parts List

Ref.	Part Desc.	Mod.	Qty.	Part Number	Area	Org.	ColorLabel
018	NUT, HEX. (6MM)	M	002	94001-06200-0S	A	JPN	
019	NUT, FLANGE (8MM)	M	004	94050-08000	A	JPN	
020	BOLT, FLANGE (6X20)		004	96001-06020-00	A	JPN	
021	SPARK PLUG (BR7HS) (NGK)		(1)	98076-57716	A	JPN	
021	SPARK PLUG (W22FSR) (DENSO)		(1)	98076-57726	A	JPN	
021	SPARK PLUG (BR8HS) (NGK)		001	98076-58716	A	JPN	
021	SPARK PLUG (W24FSR) (DENSO)		001	98076-58726	A	JPN	
021	SPARK PLUG (BR9HS) (NGK)		(1)	98076-59716	A	JPN	
021	SPARK PLUG (W27SR) (DENSO)		(1)	98076-59726	A	JPN	

American Honda Motor Co., Inc.

Illustration:FRAME (F 24)

MOTORCYCLE,-----,MB5,1982



PROGRAM AND DATA ARE THE PROPERTY OF AMERICAN HONDA MOTOR CO., INC.

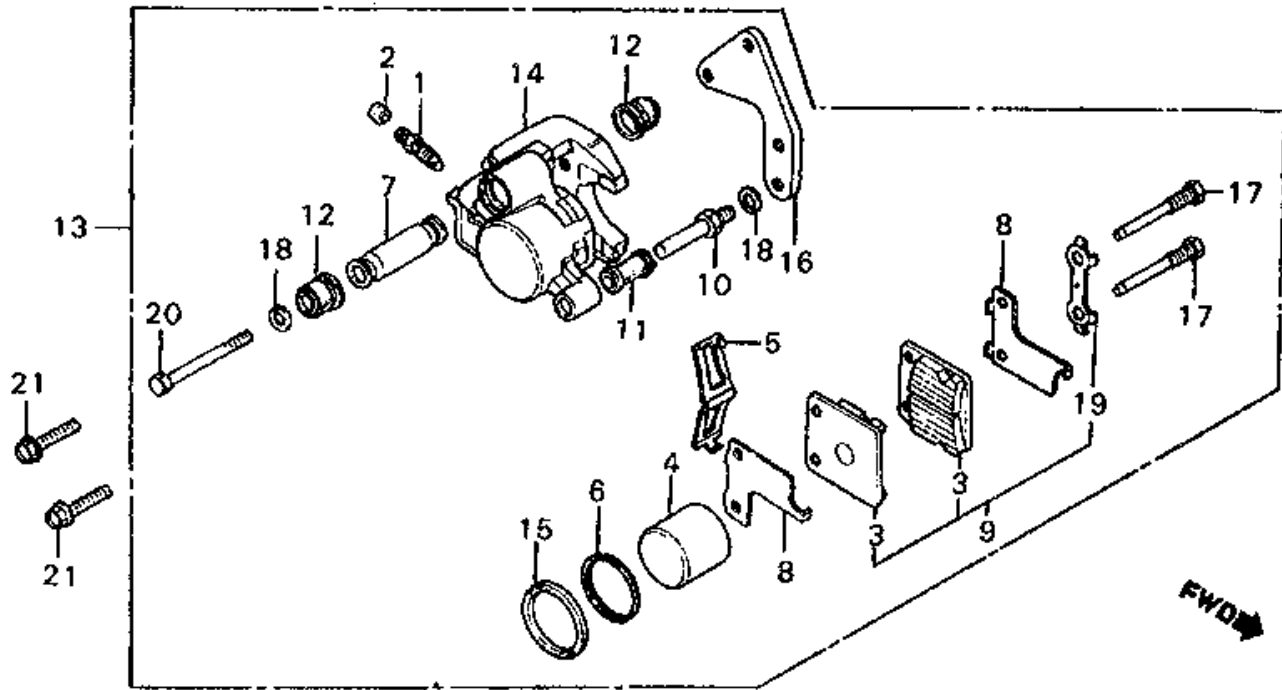
Parts List

Ref.	Part Desc.	Mod.	Qty.	Part Number	Area	Org.	ColorLabel
001	RUBBER, FUEL TANK MOUNT		002	17618-166-000	A	JPN	
002	GROMMET, SIDE COVER (A)		002	19902-865-780	A	JPN	
003	FRAME *R33*(HELIOS RED)	X	001	50100-166-670ZA	A	JPN	
003	FRAME *NH1*(BLACK)	X	001	50100-166-670ZB	A	JPN	
004	COLLAR, ENGINE MOUNTING		002	50311-166-000	A	JPN	
005	HOLDER ASSY., HELMET (HONDALOCK)		001	50710-086-007	A	JPN	
006	LABEL, HELMET HOLDER		001	87511-323-670	A	JPN	
007	NUT, FLANGE (10MM)		003	94050-10000	A	JPN	
008	BOLT, FLANGE (6X10)		002	95701-06010-08	A	JPN	
009	BOLT, FLANGE (10X75)		001	95801-10075-00	A	JPN	
010	BOLT, FLANGE (10X110)		001	95801-10110-00	A	JPN	
011	BOLT, FLANGE (10X200)		001	95800-10200-00	A	JPN	

American Honda Motor Co., Inc.

Illustration:FRONT BRAKE CALIPER (F 08)

MOTORCYCLE,-----,MB5,1982



PROGRAM AND DATA ARE THE PROPERTY OF AMERICAN HONDA MOTOR CO., INC.

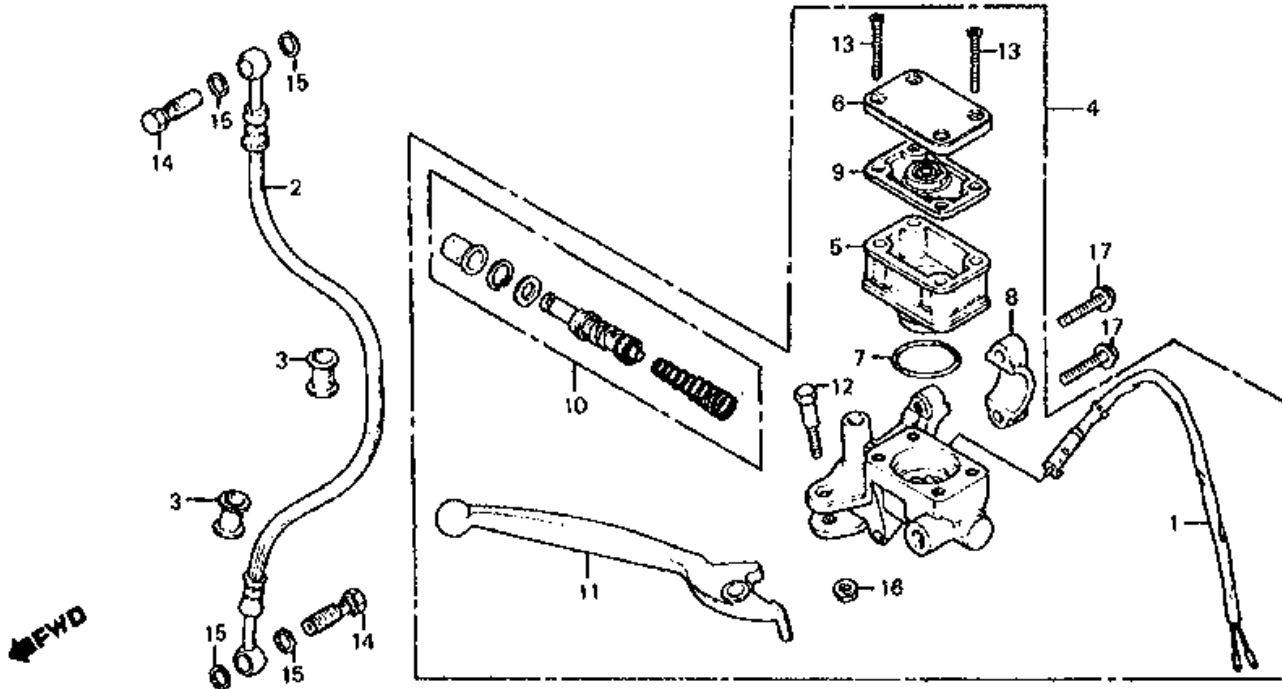
Parts List

Ref.	Part Desc.	Mod.	Qty.	Part Number	Area	Org.	ColorLabel
001	SCREW, BLEEDER		001	43352-568-003	A	JPN	
002	CAP, BLEEDER SCREW		001	43353-548-003	A	JPN	
003	PAD		002	45105-KG2-951	A	JPN	
004	PISTON		001	45107-166-006	A	JPN	
005	SPRING, PAD		001	45108-166-006	A	JPN	
006	DUST SEAL		001	45109-166-006	A	JPN	
007	SLEEVE		001	45111-166-026	A	JPN	
008	SHIM		002	45116-166-006	A	JPN	
009	PAD SET		001	45120-166-000	A	JPN	
010	PIN, BOLT		001	45131-166-016	A	JPN	
011	BUSH, PIN		001	45132-166-016	A	JPN	
012	BOOT, PIN		002	45133-166-016	A	JPN	
013	CALIPER ASSY., R.	X	001	45200-166-037	A	JPN	
014	CALIPER		001	45201-166-006	A	JPN	
015	SEAL, PISTON		001	45209-166-006	A	JPN	
016	BRACKET, CALIPER		001	45210-166-016	A	JPN	
017	PIN, HANGER		002	45215-166-006	A	JPN	
018	WASHER, WAVE (NISSIN)		002	45216-166-006	A	JPN	
019	WASHER, TONGUED		001	45217-166-006	A	JPN	
020	BOLT, HEX. (8X50)		001	92000-08050-0H	A	JPN	
020	BOLT, HEX. (8X50)		001	92201-08050-0H	A	JPN	
021	BOLT, FLANGE (8X25)		002	95701-08025-00	A	JPN	
NI	PAD SET, BRAKE		001	06455-166-405	A	JPN	

American Honda Motor Co., Inc.

Illustration:FRONT BRAKE MASTER @ CYLINDER (F 04)

MOTORCYCLE,-----,MB5,1982



PROGRAM AND DATA ARE THE PROPERTY OF AMERICAN HONDA MOTOR CO., INC.

Parts List

Ref.	Part Desc.	Mod.	Qty.	Part Number	Area	Org.	ColorLabel
001	SWITCH ASSY., FR. STOP (TOYO)		001	35340-437-661	A	JPN	
002	HOSE ASSY., FR. BRAKE (TOYODA)	X	001	45126-166-772	A	JPN	
003	BUSH, BRAKE HOSE		002	45146-371-000	A	JPN	
004	MASTER CYLINDER ASSY.	X	001	45500-166-672	A	JPN	
005	CUP, OIL		001	45511-166-006	A	JPN	
006	CAP, OIL CUP		001	45513-166-671	A	JPN	
007	O-RING (26.7X2.4)		001	45516-166-006	A	JPN	
008	HOLDER, MASTER CYLINDER		001	45517-166-006	A	JPN	
009	DIAPHRAGM		001	45520-166-016	A	JPN	
010	MASTER CYLINDER SET		001	45530-166-305	A	JPN	
011	LEVER, R. HANDLE		001	53175-166-003	A	JPN	
011	LEVER, R. HANDLEBAR (TOYO)		001	53175-GE2-741	A	JPN	
012	BOLT, HANDLEBAR PIVOT		001	90114-166-006	A	JPN	
013	SCREW, CAP (4X35)		004	90137-422-006	A	JPN	
014	BOLT, OIL		002	90145-300-010	A	JPN	
015	WASHER, OIL BOLT		004	90545-300-000	A	JPN	
016	NUT, FLANGE (6MM)		001	94050-06000	A	JPN	

American Honda Motor Co., Inc.

Illustration:FRONT BRAKE MASTER @ CYLINDER (F 04)

MOTORCYCLE,-----,MB5,1982

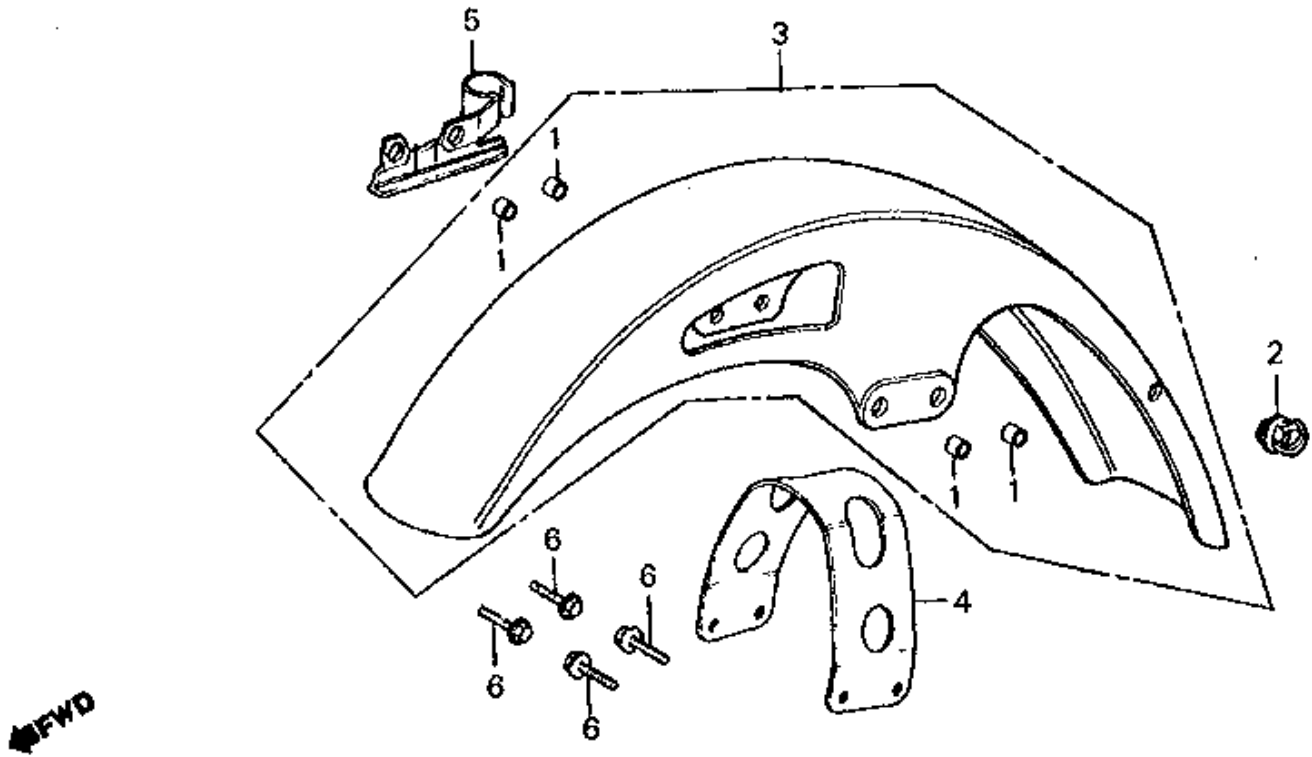
Parts List

Ref.	Part Desc.	Mod.	Qty.	Part Number	Area	Org.	ColorLabel
017	BOLT, FLANGE (6X25)		002	95701-06025-07	A	JPN	

American Honda Motor Co., Inc.

Illustration:FRONT FENDER (F 06)

MOTORCYCLE,-----,MB5,1982



PROGRAM AND DATA ARE THE PROPERTY OF AMERICAN HONDA MOTOR CO., INC.

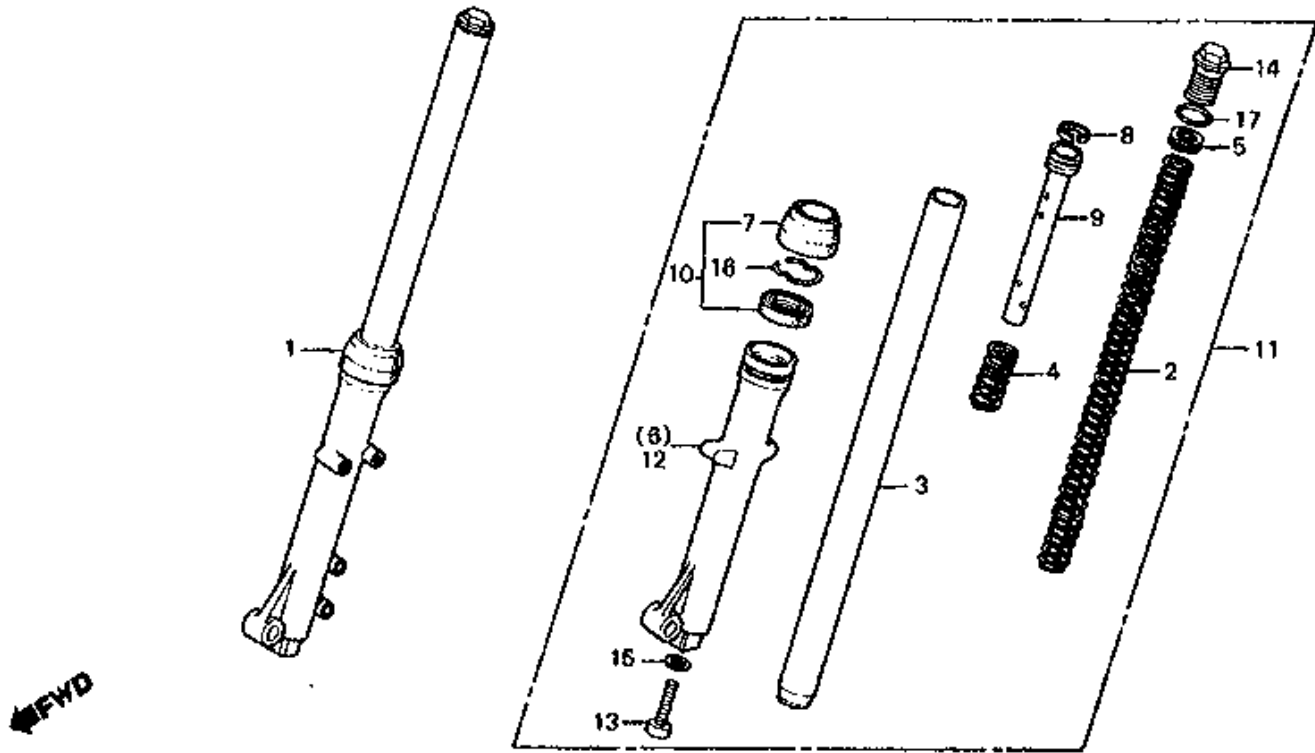
Parts List

Ref.	Part Desc.	Mod.	Qty.	Part Number	Area	Org.	ColorLabel
001	COLLAR, ADJUSTING COVER		004	11346-371-300	A	JPN	
002	GROMMET, CABLE		001	45451-471-000	A	JPN	
003	FENDER, FR. *NH1*(BLACK)	X	001	61100-166-000ZD	A	JPN	
003	FENDER, FR. *R33*	WX	001	61100-166-405ZA	A	JPN	
004	BRIDGE, FR. FENDER		001	61102-166-000	A	JPN	
005	GUIDE, CLIP		001	61118-166-000	A	JPN	
006	BOLT, FLANGE (6X18)	M	004	95700-06018-00	A	JPN	

American Honda Motor Co., Inc.

Illustration:FRONT FORK (F 07)

MOTORCYCLE,-----,MB5,1982



PROGRAM AND DATA ARE THE PROPERTY OF AMERICAN HONDA MOTOR CO., INC.

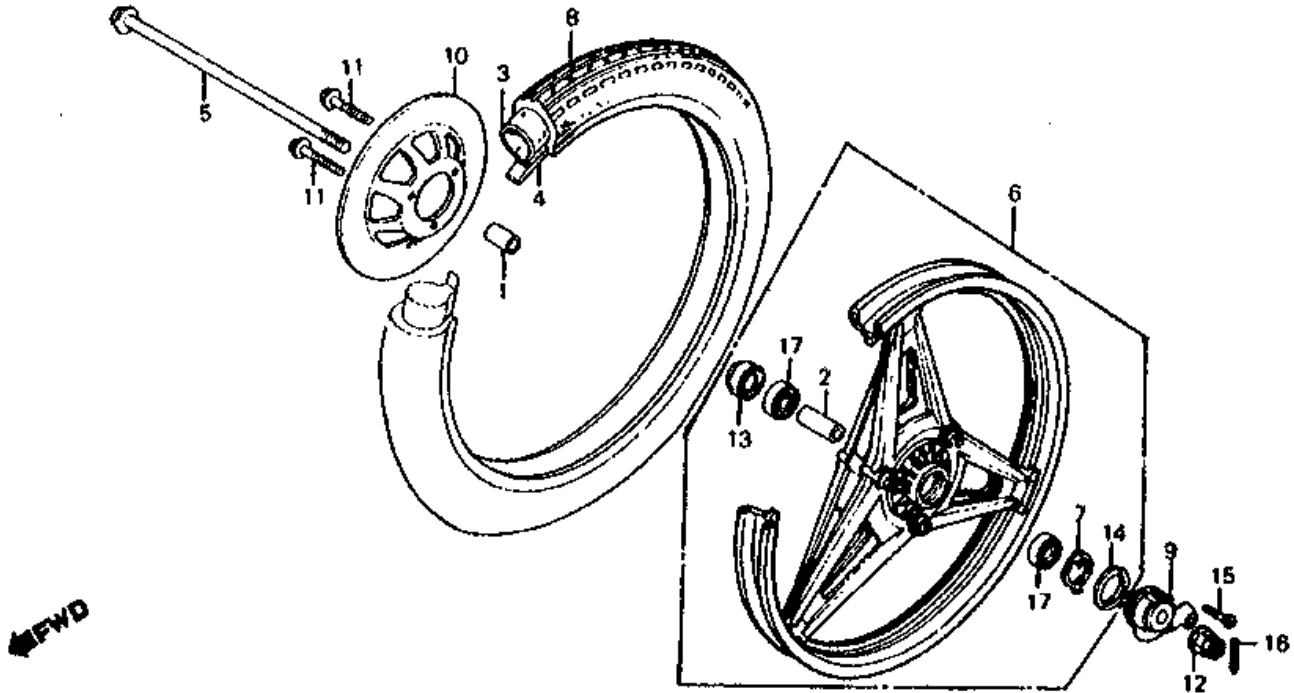
Parts List

Ref.	Part Desc.	Mod.	Qty.	Part Number	Area	Org.	ColorLabel
001	FORK ASSY., R. FR.	X	001	51400-166-772	A	JPN	
002	SPRING, FR. FORK		002	51401-166-003	A	JPN	
003	PIPE, FR. FORK	X	002	51410-166-013	A	JPN	
004	SPRING, REBOUND		002	51412-383-721	A	JPN	
005	BOLT, FR. FORK (INNER)		002	51415-166-003	A	JPN	
006	CASE, R. FR. FORK (LOWER)		001	51421-166-013	A	JPN	
007	DUST SEAL, FR. FORK		002	51425-149-841	A	JPN	
008	RING, PISTON		002	51437-GM0-003	A	JPN	
009	PIPE, SEAT		002	51470-166-003	A	JPN	
010	SEAL SET, FR. FORK		002	51490-149-840	A	JPN	
011	FORK ASSY., L. FR.	X	001	51500-166-772	A	JPN	
012	CASE, L. FR. FORK (LOWER)		001	51521-166-003	A	JPN	
013	BOLT, SOCKET (8MM) (SHOWA)		002	90116-383-721	A	JPN	
014	BOLT, FORK		002	90123-166-771	A	JPN	
015	WASHER, SPECIAL (8MM)		002	90544-283-000	A	JPN	
016	RING, OIL SEAL STOPPER (SHOWA)		002	90601-383-721	A	JPN	
017	O-RING (16.8X2.4)		002	91256-166-003	A	JPN	

American Honda Motor Co., Inc.

Illustration:FRONT WHEEL (F 09)

MOTORCYCLE,-----,MB5,1982



PROGRAM AND DATA ARE THE PROPERTY OF AMERICAN HONDA MOTOR CO., INC.

Parts List

Ref.	Part Desc.	Mod.	Qty.	Part Number	Area	Org.	ColorLabel
001	COLLAR, RR. WHEEL SIDE		001	42311-166-000	A	JPN	
002	COLLAR, FR. AXLE DISTANCE		001	44620-KG8-900	A	JPN	
003	TUBE, TIRE (2.75-18) (YOKOHAMA)	M	001	08400-21600	A	JPN	
003	TUBE, TIRE (3.00-18)	M	001	08400-26800	A	JPN	
003	TUBE, TIRE (2.50-18) (DUNLOP)	M	001	42712-166-004	A	JPN	
003	TUBE, TIRE (3.50/3.75-18) (4.10-18) (YOKOHAMA)	M	001	42712-388-009	A	JPN	
003	TUBE (275/300-18) (IRC)		001	42712-KC6-005	A	JPN	
003	TUBE, TIRE (2.50-18)	M	001	44712-028-000	A	JPN	
003	TUBE, TIRE (2.50-18) (INOUE)		001	44712-150-005	A	JPN	
003	TUBE, TIRE (2.75-18) (YOKOHAMA)	M	001	44712-205-000	A	JPN	
004	FLAP, TIRE (1.40-18) (DUNLOP)		001	42713-166-004	A	JPN	
004	FLAP, TIRE (1.40/1.60-18) (BS)		001	42713-304-003	A	JPN	
004	FLAP, TIRE (1.40-18) (INOUE)		001	44713-150-005	A	JPN	
005	AXLE, FR. WHEEL		001	44301-098-010	A	JPN	
006	WHEEL, FR.	X	001	44650-166-315	A	JPN	
006	WHEEL SET, FR/RR	W	001	44650-166-505	A	JPN	
007	RETAINER, GEAR BOX		001	44680-166-000	A	JPN	

American Honda Motor Co., Inc.

Illustration:FRONT WHEEL (F 09)

MOTORCYCLE,-----,MB5,1982

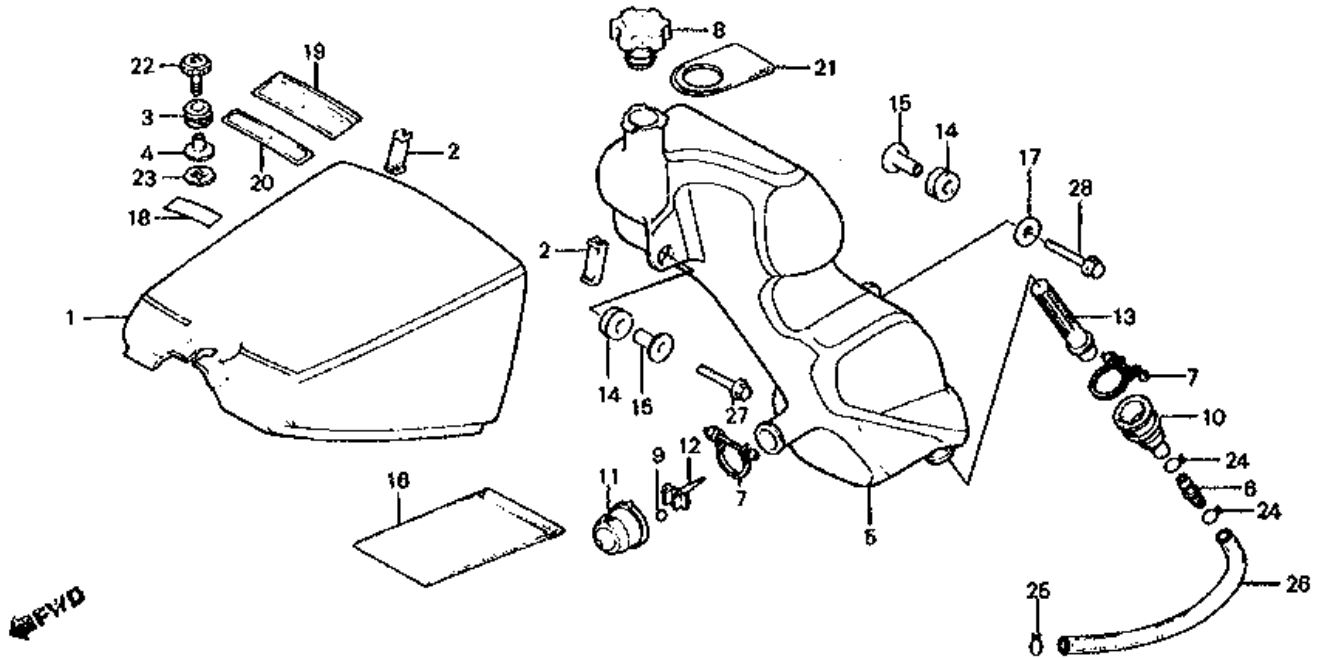
Parts List

Ref.	Part Desc.	Mod.	Qty.	Part Number	Area	Org.	ColorLabel
008	TIRE, FR. (2.50-18) (4PR) (INOUE)		001	44711-166-671	A	JPN	
008	TIRE, FR. (2.50-18) (4PR) (DUNLOP)	D	001	44711-166-672	A	JPN	
008	TIRE, FR. (2.50-18) (4PR) (BS)		001	44711-166-673	A	JPN	
009	BOX ASSY., SPEEDOMETER GEAR (YAMADA)		001	44800-166-013	A	JPN	
010	DISK, FR. BRAKE	X	001	45121-166-000	A	JPN	
011	BOLT, UBS (8X33)		003	90112-413-000	A	JPN	
012	NUT, AXLE (12MM)		001	90305-169-000	A	JPN	
013	OIL SEAL (23X37X7)		001	91252-030-003	A	JPN	
014	DUST SEAL (40X50X5) (ARAI)		001	91258-410-013	A	JPN	
015	SCREW, OVAL (5X16)		001	93700-05016-0A	A	JPN	
016	PIN, COTTER (3.0X45)		001	94201-30450	A	JPN	
017	BEARING, RADIAL BALL (6301U)		002	96140-63010-10	A	JPN	

American Honda Motor Co., Inc.

Illustration:FUEL TANK FRONT COVER @ OIL TANK (F 12)

MOTORCYCLE,-----,MB5,1982



PROGRAM AND DATA ARE THE PROPERTY OF AMERICAN HONDA MOTOR CO., INC.

Parts List

Ref.	Part Desc.	Mod.	Qty.	Part Number	Area	Org.	ColorLabel
001	COVER, FR. FUEL TANK *R33*(HELIOS RED)	X	001	17531-166-000ZA	A	JPN	
001	COVER, FR. FUEL TANK *NH1*(BLACK)	X	001	17531-166-000ZD	A	JPN	
002	RUBBER, FR. COVER MOUNT		002	17533-166-000	A	JPN	
003	RUBBER, FR. COVER MOUNT		001	17534-166-000	A	JPN	
004	COLLAR, FUEL TANK SETTING		001	17535-KE7-000	A	JPN	
005	TANK, OIL		001	55100-183-010	A	JPN	
006	JOINT, OIL TUBE		001	55102-166-000	A	JPN	
007	CLIP, OIL TUBE		002	55104-166-000	A	JPN	
008	CAP, OIL	X	001	55105-167-020	A	JPN	
009	FLOAT, OIL		001	55105-187-000	A	JPN	
010	JOINT, OIL STRAINER		001	55107-166-010	A	JPN	
011	LEVEL, OIL TANK		001	55111-180-000	A	JPN	
012	GUIDE, LEVEL		001	55112-180-000	A	JPN	
013	SCREEN, OIL STRAINER		001	55121-166-000	A	JPN	
014	RUBBER, FR. FENDER SETTING		002	61103-357-000	A	JPN	
015	COLLAR, FR. FENDER		002	61104-428-000	A	JPN	
015	COLLAR, RR. FENDER		002	61105-428-000	A	JPN	
016	BAG, SERVICE BOOK		001	77251-342-000	A	JPN	
017	WASHER, SEAT SETTING		001	77302-124-000	A	JPN	
018	LABEL, OPERATOR WARNING *NH0* (CHAMPIONSHIP WHITE)		001	87510-147-670ZB	A	JPN	
019	LABEL, DRIVE CAUTION *NH1* (TYPEW) (BLACK)		001	87560-181-760ZB	A	JPN	

American Honda Motor Co., Inc.

Illustration:FUEL TANK FRONT COVER @ OIL TANK (F 12)
MOTORCYCLE,-----,MB5,1982

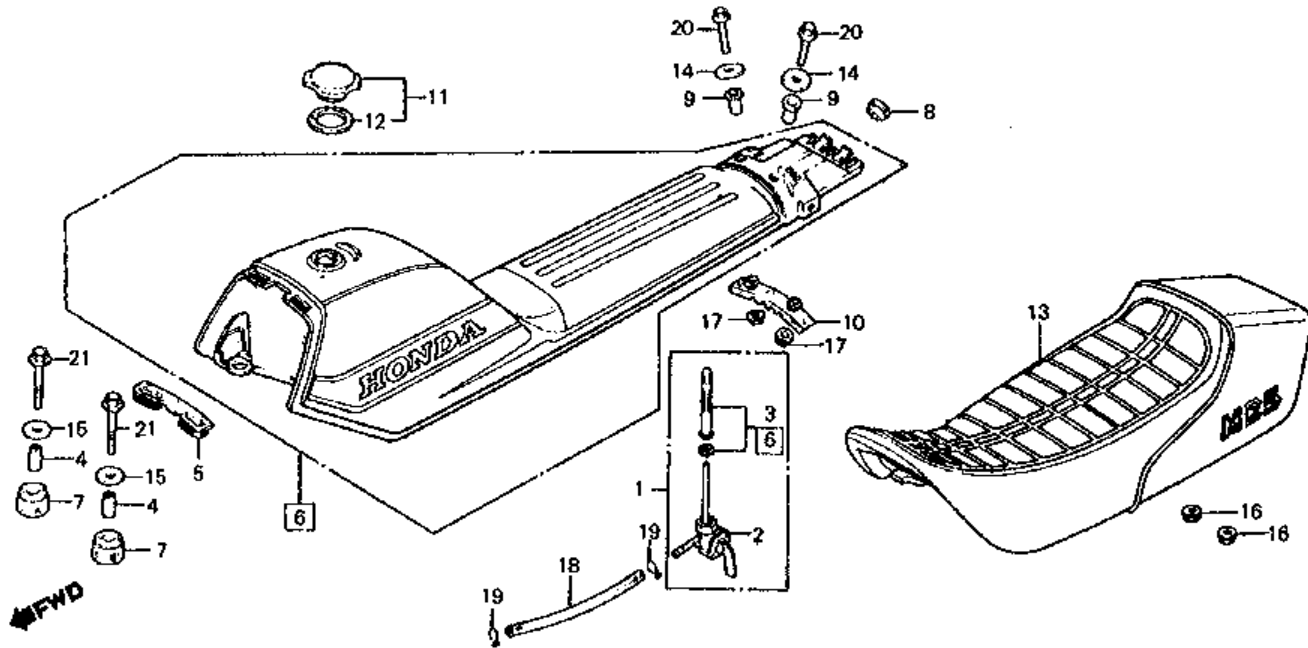
Parts List

Ref.	Part Desc.	Mod.	Qty.	Part Number	Area	Org.	ColorLabel
020	MARK A, OIL CAUTION		001	87570-183-610	A	JPN	
021	MARK, OIL LEVEL		001	87571-166-610	A	JPN	
022	LATCH, FR. COVER MOUNT		001	90112-183-300	A	JPN	
023	WASHER, LATCH LOCK MOUNT		001	90113-183-300	A	JPN	
024	CLIP, TUBE (B10)		002	95002-02100	A	JPN	
025	CLIP, TUBE (C9)		001	95002-50000	A	JPN	
026	TUBE, VINYL (5X9X110)		001	95003-11011-31	A	JPN	
027	BOLT, FLANGE (6X25)	Z	001	95700-06025-00	A	JPN	
027	BOLT, FLANGE (6X25)		001	95701-06025-00	A	JPN	
028	BOLT, FLANGE (6X32)		001	95701-06032-00	A	JPN	

American Honda Motor Co., Inc.

Illustration:FUEL TANK @ SEAT (F 13)

MOTORCYCLE,-----,MB5,1982



PROGRAM AND DATA ARE THE PROPERTY OF AMERICAN HONDA MOTOR CO., INC.

Parts List

Ref.	Part Desc.	Mod.	Qty.	Part Number	Area	Org.	ColorLabel
001	PETCOCK ASSY.		001	16950-GW8-670	A	JPN	
002	BODY, PETCOCK		001	16951-166-025	A	JPN	
003	SCREEN SET, FUEL STRAINER		001	16952-166-305	A	JPN	
004	COLLAR, RR. FUEL TANK MOUNTING		002	17514-155-010	A	JPN	
005	RUBBER, FR. FUEL TANK MOUNT		001	17532-166-000	A	JPN	
006	TANK SET, FUEL *NH0*(CHAMPIONSHIP WHITE)	X	001	17540-166-600ZB	A	JPN	
006	TANK SET, FUEL *R33*(HELIOS RED)	X	001	17540-166-771ZA	A	JPN	
006	TANK SET, FUEL *NH1*(BLACK)	SX	001	17540-166-771ZB	A	JPN	
007	RUBBER, FUEL TANK MOUNT		002	17612-166-000	A	JPN	
008	GROMMET, WIRE HARNESS		001	17614-166-000	A	JPN	
009	COLLAR, RR. FUEL TANK SETTING		002	17615-166-000	A	JPN	
010	RUBBER, RR. FUEL TANK SETTING		001	17617-166-000	A	JPN	
011	CAP, FUEL FILLER		001	17620-166-771	A	JPN	
012	GASKET, FUEL FILLER CAP		001	17631-166-000	A	JPN	
013	SEAT COMP.,SINGLE	X	001	77100-166-020	A	JPN	

American Honda Motor Co., Inc.

Illustration:FUEL TANK @ SEAT (F 13)

MOTORCYCLE,-----,MB5,1982

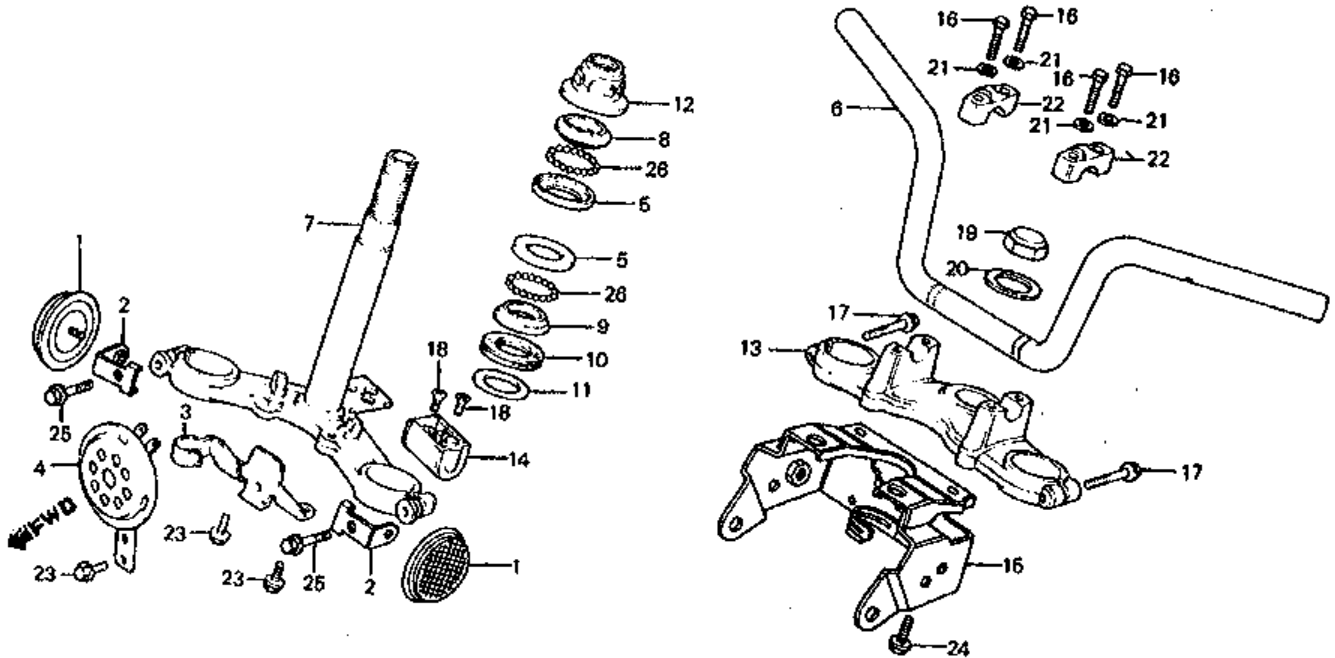
Parts List

Ref.	Part Desc.	Mod.	Qty.	Part Number	Area	Org.	ColorLabel
014	WASHER, SEAT		002	90501-040-000	A	JPN	
015	WASHER (8.3MM)		002	90534-011-000	A	JPN	
016	NUT, FLANGE (6MM)		002	94050-06000	A	JPN	
017	NUT, FLANGE (6MM)		002	94050-06080	A	JPN	
018	BULK HOSE, FUEL (4.5X3000)		001	95001-45003-60M	A	JPN	
019	CLIP, TUBE (B8)		002	95002-02080	A	JPN	
020	BOLT, FLANGE (6X25)		002	95700-06025-08	A	JPN	
020	BOLT, FLANGE (6X25)		002	95701-06025-08	A	JPN	
021	BOLT, FLANGE (8X32)		002	95701-08032-08	A	JPN	

American Honda Motor Co., Inc.

Illustration:HANDLEBAR @ STEERING STEM @ HORN (F 05)

MOTORCYCLE,-----,MB5,1982



PROGRAM AND DATA ARE THE PROPERTY OF AMERICAN HONDA MOTOR CO., INC.

Parts List

Ref.	Part Desc.	Mod.	Qty.	Part Number	Area	Org.	ColorLabel
001	REFLECTOR, FR. REFLEX			33742-HB9-641	A	JPN	
002	STAY, FR. REFLECTOR			33742-166-670	A	JPN	
003	STAY, HORN			38102-166-010	A	JPN	
004	HORN			38110-166-670	A	JPN	
004	HORN			38110-KB4-672	A	JPN	
005	RACE, STEERING TOP BALL	M	002	50301-041-010	A	JPN	
006	HANDLEBAR			53100-166-670	A	JPN	
007	STEM, STEERING			53200-166-000	A	JPN	
008	RACE, STEERING CONE (UPPER)			53211-028-010	A	JPN	
009	RACE, STEERING CONE (LOWER)			53212-030-010	A	JPN	
010	DUST SEAL, STEERING HEAD			53214-001-010	A	JPN	
011	WASHER, STEERING HEAD DUST SEAL			53215-001-000	A	JPN	
012	THREAD, STEERING HEAD TOP			53220-074-000	A	JPN	
013	BRIDGE, FORK TOP			53230-167-000	A	JPN	
014	LOCK, HANDLEBAR (HONDA LOCK)			53600-086-007	A	JPN	
015	STAY, METER	X	001	61311-166-670	A	JPN	
016	BOLT, HEX. (6X28)			90117-065-000	A	JPN	
017	BOLT, FLANGE (7X36)			90155-167-000	A	JPN	
018	SCREW, U-LOCK FLAT (6X12)			90164-028-000	A	JPN	
019	NUT, STEERING STEM			90304-166-010	A	JPN	
020	WASHER, STEERING STEM			90503-166-010	A	JPN	

American Honda Motor Co., Inc.

Illustration:HANDLEBAR @ STEERING STEM @ HORN (F 05)

MOTORCYCLE,-----,MB5,1982

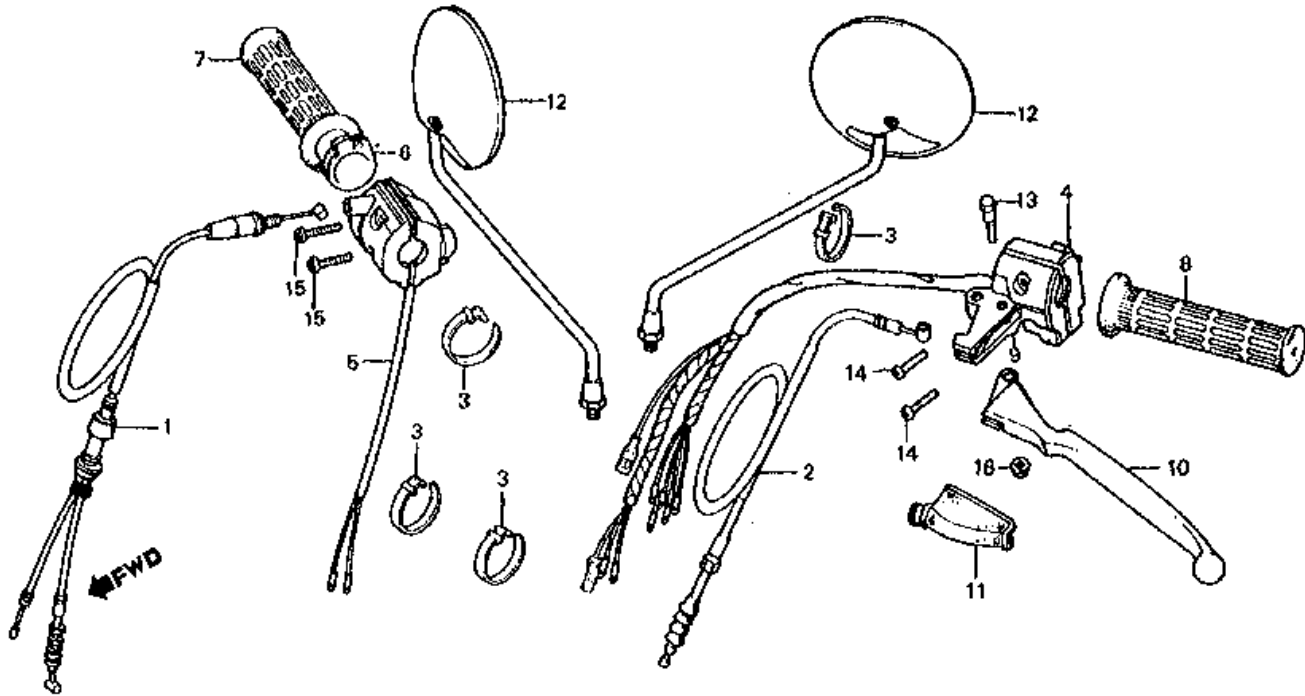
Parts List

Ref.	Part Desc.	Mod.	Qty.	Part Number	Area	Org.	ColorLabel
021	WASHER, PLAIN (6MM)		004	94101-06800	A	JPN	
022	HOLDER A2, HANDLEBAR (UPPER)		002	95014-21201	A	JPN	
023	BOLT, FLANGE (6X12)	M	003	95701-06012-07	A	JPN	
024	BOLT, FLANGE (8X16)	Z	002	95700-08016-00	A	JPN	
024	BOLT, FLANGE (8X16)		002	95701-08016-00	A	JPN	
025	BOLT, FLANGE (8X35)		002	95701-08035-00	A	JPN	
026	BALL, STEEL (#6) (3/16)		042	96211-06000	A	JPN	

American Honda Motor Co., Inc.

Illustration:HANDLE LEVER @ SWITCH @ CABLE (F 03)

MOTORCYCLE,-----,MB5,1982



PROGRAM AND DATA ARE THE PROPERTY OF AMERICAN HONDA MOTOR CO., INC.

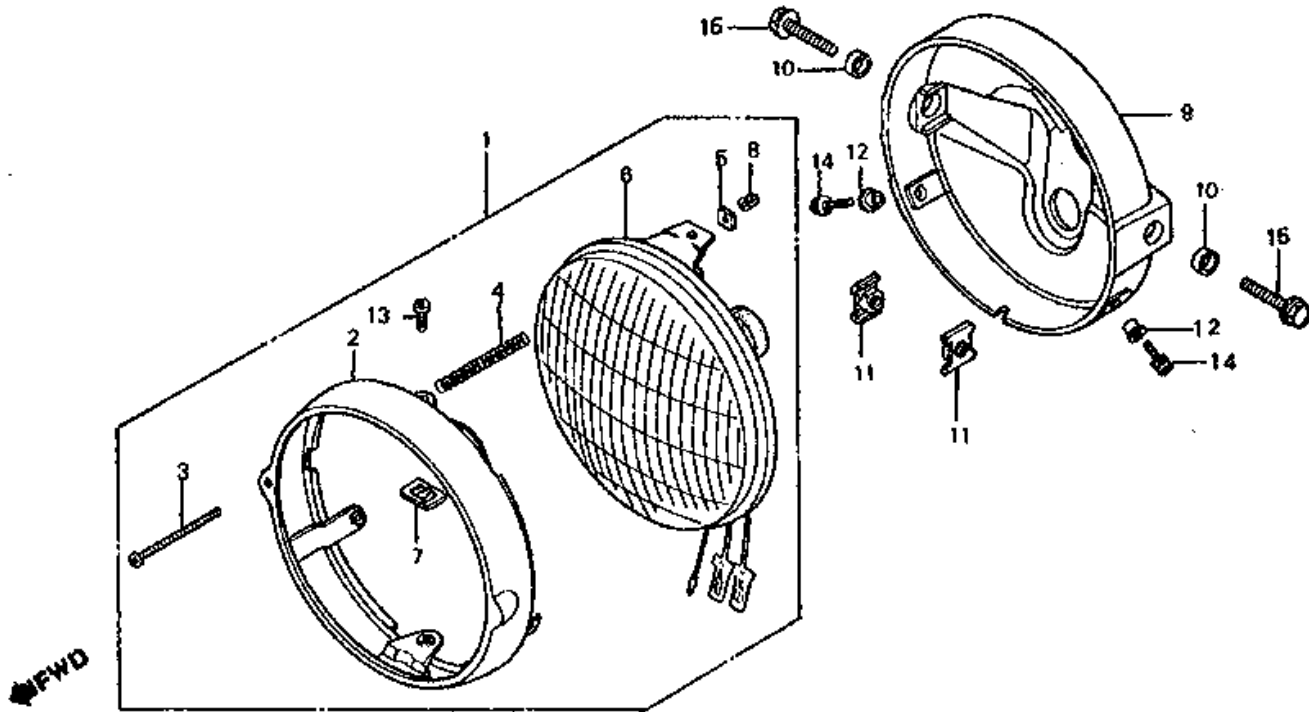
Parts List

Ref.	Part Desc.	Mod.	Qty.	Part Number	Area	Org.	ColorLabel
001	CABLE, THROTTLE	X	001	17910-166-770	A	JPN	
002	CABLE, CLUTCH	X	001	22870-166-770	A	JPN	
003	BAND B1, CABLE		004	32161-404-000	A	JPN	
004	SWITCH, TURN SIGNAL		001	35210-166-670	A	JPN	
005	SWITCH ASSY., STOP		001	35300-166-671	A	JPN	
006	PIPE, THROTTLE GRIP		001	53141-149-000	A	JPN	
007	GRIP, R. HANDLEBAR	M	001	53165-390-780	A	JPN	
008	GRIP, L. HANDLEBAR		001	53166-390-780	A	JPN	
009	BRACKET, L. HANDLEBAR (TOYO)	M	001	53172-166-023	A	JPN	
010	LEVER, L. HANDLEBAR		001	53178-166-000	A	JPN	
011	COVER, L. HANDLE LEVER		001	53179-166-770	A	JPN	
012	MIRROR, R.		002	88110-195-000	A	JPN	
013	BOLT, HANDLEBAR LEVER PIVOT		001	90114-310-000	A	JPN	
014	SCREW, PAN (5X14)		002	90197-601-950	A	JPN	
014	SCREW, PAN (5X14)		002	93500-05014-0G	A	JPN	
015	SCREW, PAN (5X22)		002	93500-05022-0G	A	JPN	
016	NUT, FLANGE (6MM)		001	94050-06000	A	JPN	

American Honda Motor Co., Inc.

Illustration: HEADLIGHT (F 01)

MOTORCYCLE,-----,MB5,1982



PROGRAM AND DATA ARE THE PROPERTY OF AMERICAN HONDA MOTOR CO., INC.

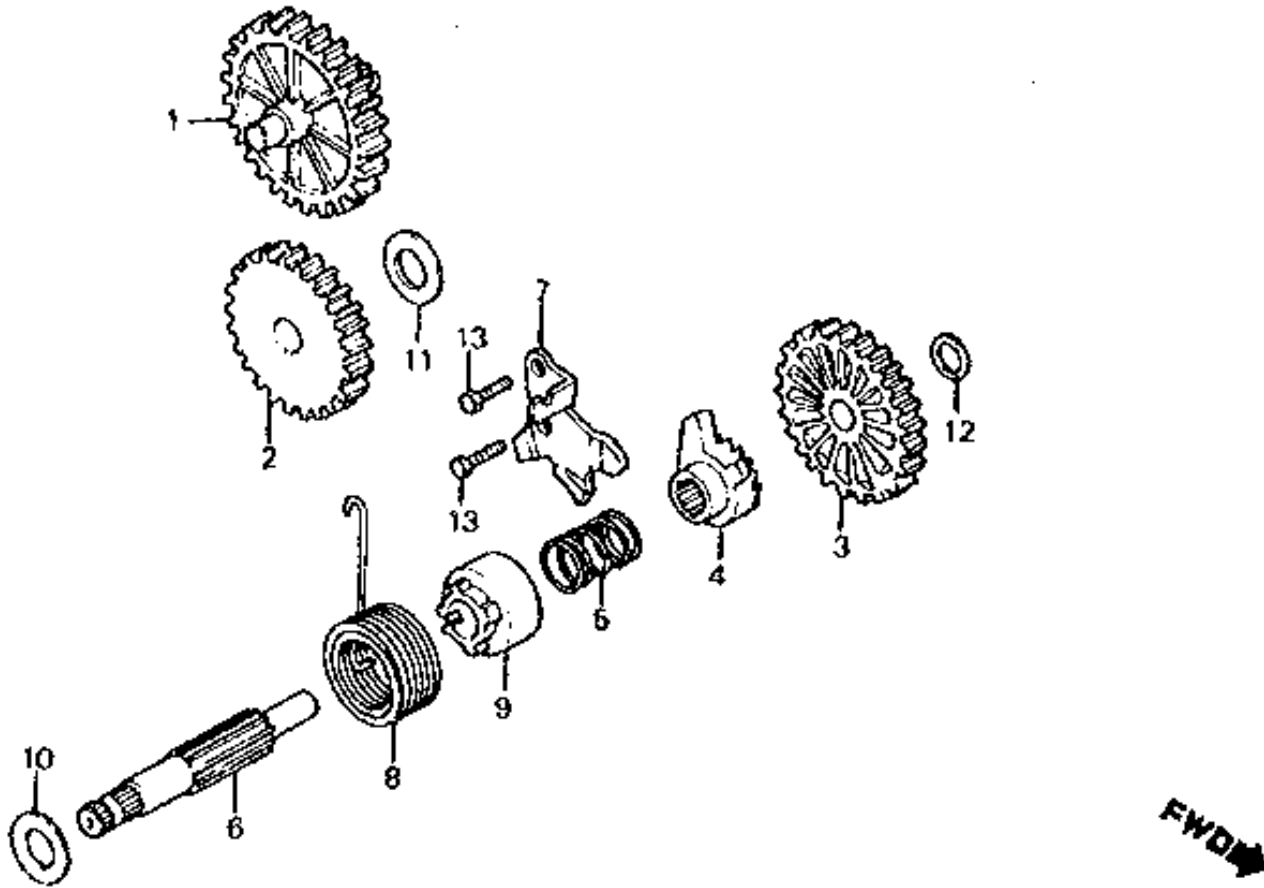
Parts List

Ref.	Part Desc.	Mod.	Qty.	Part Number	Area	Org.	ColorLabel
001	HEADLIGHT ASSY. (12V 30/31.5W) (STANLEY)	X	001	33100-166-671	A	JPN	
002	RIM, HEADLIGHT		001	33101-329-671	A	JPN	
003	SCREW, HEADLIGHT BEAM ADJUSTING		001	33103-329-003	A	JPN	
003	SCREW, HEADLIGHT BEAM ADJUSTING		001	33103-329-671	A	JPN	
004	SPRING, HEADLIGHT BEAM ADJUSTING		001	33107-200-023	A	JPN	
005	NUT, HEADLIGHT BEAM ADJ.		001	33117-001-023	A	JPN	
006	HEADLIGHT UNIT (STANLEY)	X	001	33120-166-671	A	JPN	
007	NUT, UNIT HOLDER		002	33128-200-033	A	JPN	
008	COVER, SCREW		001	33136-426-830	A	JPN	
009	CASE, HEADLIGHT *NH1*(BLACK)		001	61301-166- 670ZA	A	JPN	
010	COLLAR, HEADLIGHT CASE		002	61302-229-300	A	JPN	
011	NUT, HEADLIGHT CASE		002	61303-105-000	A	JPN	
012	COLLAR, HEADLIGHT SETTING		002	61304-292-000	A	JPN	
013	SCREW, PAN (5X8)	M	002	93500-05008-0H	A	JPN	
014	SCREW-WASHER (5X16)		002	93892-05016-00	A	JPN	
015	BOLT, FLANGE (8X25)		002	95701-08025-00	A	JPN	

American Honda Motor Co., Inc.

Illustration: KICK STARTER SPINDLE (E 04)

MOTORCYCLE,-----,MB5,1982



PROGRAM AND DATA ARE THE PROPERTY OF AMERICAN HONDA MOTOR CO., INC.

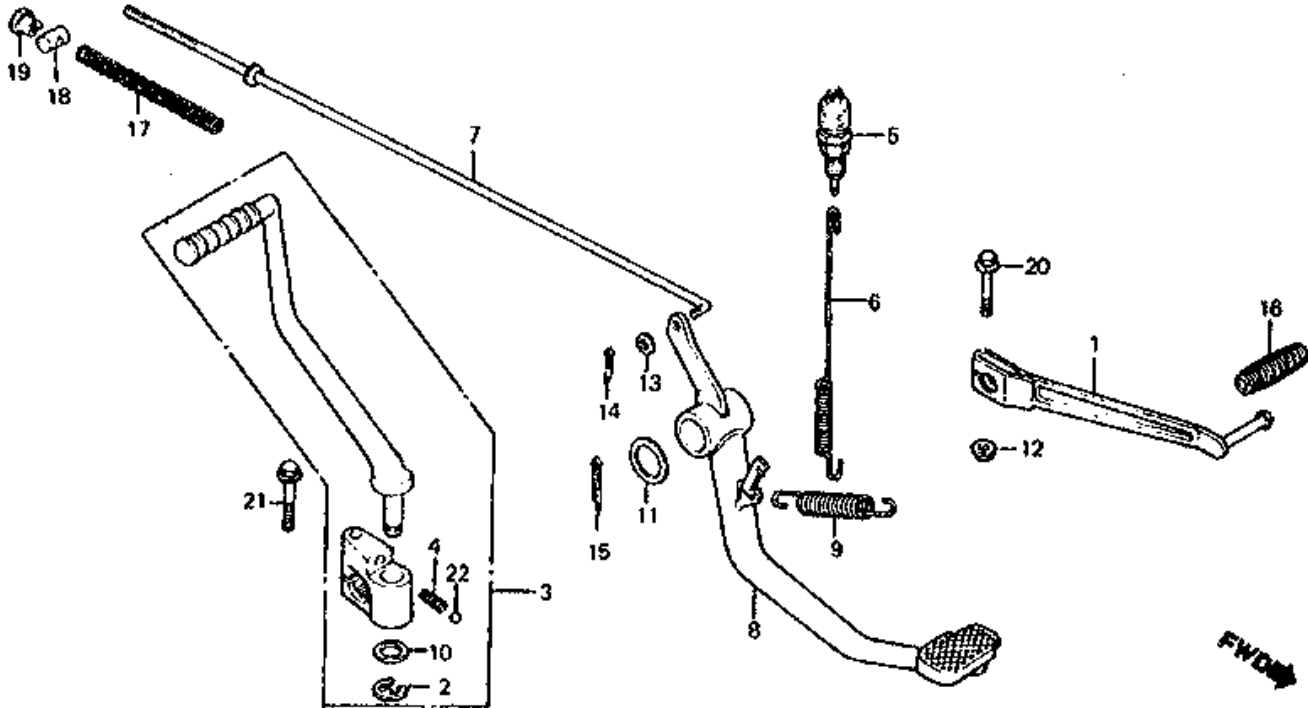
Parts List

Ref.	Part Desc.	Mod.	Qty.	Part Number	Area	Org.	ColorLabel
001	GEAR, OIL PUMP DRIVEN		001	15141-166-000	A	JPN	
002	GEAR, STARTER IDLE (23T)		001	23531-166-010	A	JPN	
003	PINION, KICK STARTER (25T)		001	28211-166-010	A	JPN	
004	RATCHET, STARTER DRIVE		001	28221-166-010	A	JPN	
005	SPRING, RATCHET		001	28223-166-000	A	JPN	
006	SPINDLE, KICK STARTER		001	28251-166-000	A	JPN	
007	PLATE, RATCHET		001	28259-166-000	A	JPN	
008	SPRING, KICK STARTER		001	28281-166-010	A	JPN	
009	COLLAR, KICK SPRING		001	28282-166-000	A	JPN	
010	WASHER, THRUST (15MM)		001	90451-166-000	A	JPN	
011	WASHER (15MM)		001	90458-166-000	A	JPN	
012	WASHER, THRUST (12MM)		001	90459-107-000	A	JPN	
013	BOLT, HEX. (6X16)		002	92101-06016-0A	A	JPN	

American Honda Motor Co., Inc.

Illustration: PEDAL @ KICK STARTER ARM (F 16)

MOTORCYCLE,-----,MB5,1982



PROGRAM AND DATA ARE THE PROPERTY OF AMERICAN HONDA MOTOR CO., INC.

Parts List

Ref.	Part Desc.	Mod.	Qty.	Part Number	Area	Org.	ColorLabel
001	PEDAL, GEARSHIFT		001	24701-166-000	A	JPN	
002	CLIP, KICK STARTER ARM		001	28293-333-000	A	JPN	
003	ARM ASSY., KICK STARTER	W	001	28300-166-000	A	JPN	
004	SPRING, KICK STARTER STOPPER		001	28333-124-000	A	JPN	
005	SWITCH ASSY., RR. STOP (TOYO)		001	35350-166-003	A	JPN	
005	SWITCH ASSY., RR. STOP (DAIICHI)		001	35350-166-015	A	JPN	
006	SPRING, STOP SWITCH		001	35357-166-000	A	JPN	
007	ROD, RR. BRAKE		001	43451-166-000	A	JPN	
008	PEDAL, BRAKE		001	46500-166-000	A	JPN	
009	SPRING, RR. BRAKE		001	46514-GE2-000	A	JPN	
010	WASHER (13X20)		001	90505-116-670	A	JPN	
011	WASHER (17.5MM)		001	90512-303-000	A	JPN	
012	NUT, FLANGE (6MM)		001	94050-06000	A	JPN	
013	WASHER, PLAIN (5MM)		001	94101-05000	A	JPN	
014	PIN, COTTER (1.6X25)		001	94201-16250	A	JPN	
015	PIN, COTTER (3.0X45)		001	94201-30450	A	JPN	
016	RUBBER, SHIFT PEDAL	M	001	95011-40000	A	JPN	

American Honda Motor Co., Inc.

Illustration:PEDAL @ KICK STARTER ARM (F 16)

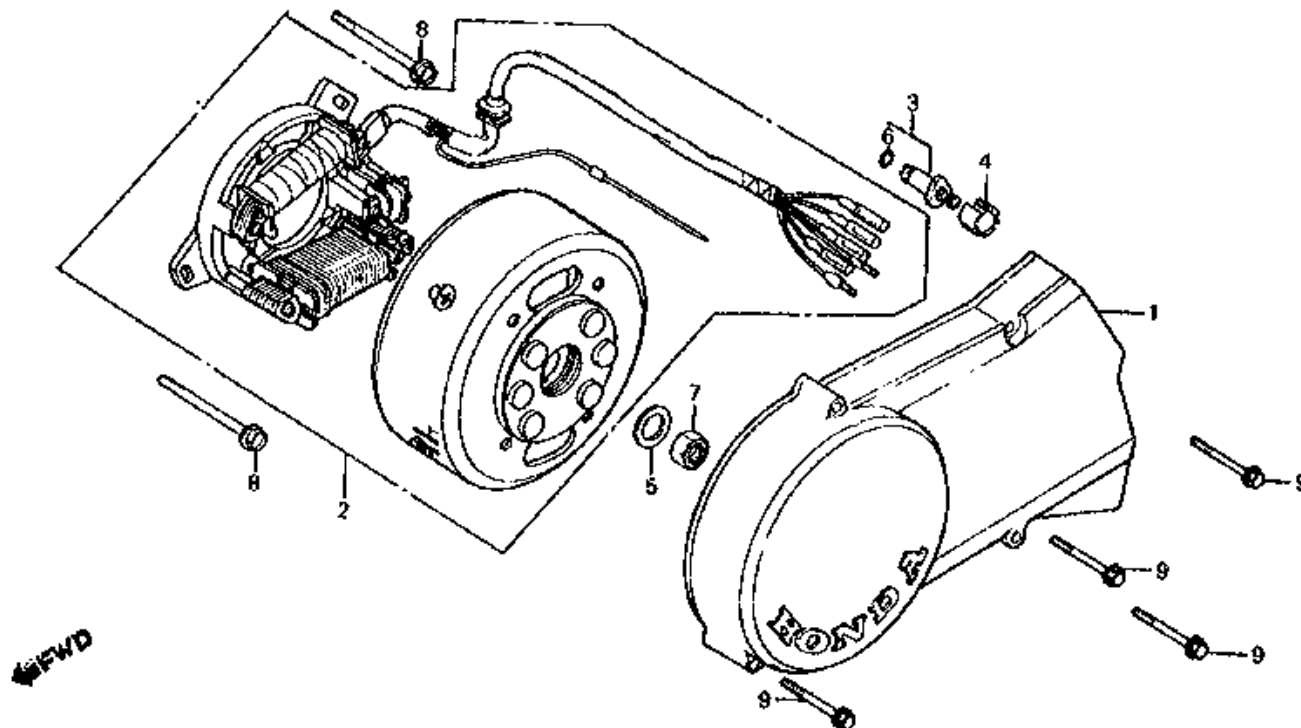
MOTORCYCLE,-----,MB5,1982

Parts List

Ref.	Part Desc.	Mod.	Qty.	Part Number	Area	Org.	ColorLabel
017	SPRING A, BRAKE ROD		001	95014-73100	A	JPN	
018	JOINT, BRAKE ARM		001	95015-32001	A	JPN	
019	NUT B, BRAKE ROD ADJUSTING	M	001	95015-42000	A	JPN	
020	BOLT, FLANGE (6X28)	Z	001	95700-06028-00	A	JPN	
020	BOLT, FLANGE (6X28)		001	95701-06028-00	A	JPN	
021	BOLT, FLANGE (6X32)		001	95701-06032-00	A	JPN	
022	BALL, STEEL (#8) (1/4)		001	96211-08000	A	JPN	

American Honda Motor Co., Inc.

Illustration: LEFT CRANKCASE COVER @ ALTERNATOR (E 05)
 MOTORCYCLE,-----,MB5,1982



PROGRAM AND DATA ARE THE PROPERTY OF AMERICAN HONDA MOTOR CO., INC.

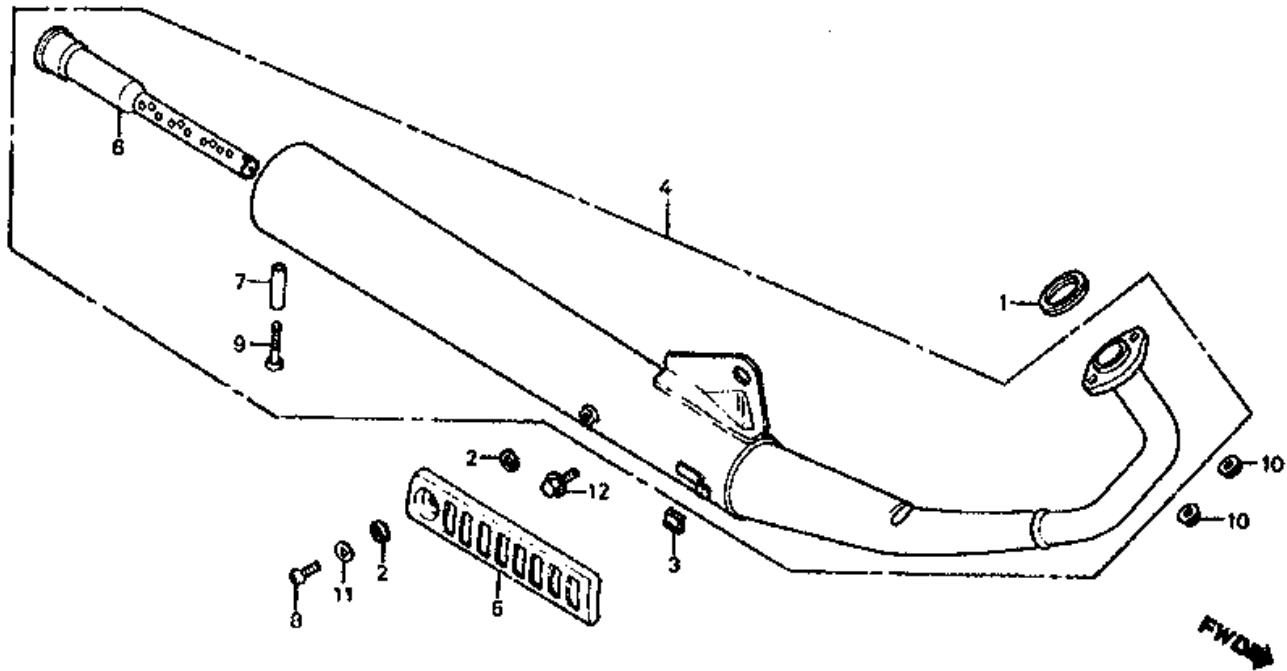
Parts List

Ref.	Part Desc.	Mod.	Qty.	Part Number	Area	Org.	ColorLabel
001	COVER, L. CRANKCASE		001	11341-166-000	A	JPN	
002	ALTERNATOR ASSY. (MITSUBA)	X	001	31100-166-671	A	JPN	
003	CONTACT ASSY., NEUTRAL SWITCH		001	35750-001-020	A	JPN	
004	SPACER, NEUTRAL SWITCH		001	35752-166-300	A	JPN	
005	WASHER, SEAL (12MM)		001	90441-166-000	A	JPN	
006	O-RING (7X1.7)		001	91312-107-000	A	JPN	
007	NUT, HEX. (12MM)		001	94001-12200-0S	A	JPN	
008	BOLT, FLANGE (6X55)		003	95701-06055-00	A	JPN	
009	BOLT, FLANGE (6X35)		004	96001-06035-00	A	JPN	

American Honda Motor Co., Inc.

Illustration:MUFFLER (F 15)

MOTORCYCLE,-----,MB5,1982



PROGRAM AND DATA ARE THE PROPERTY OF AMERICAN HONDA MOTOR CO., INC.

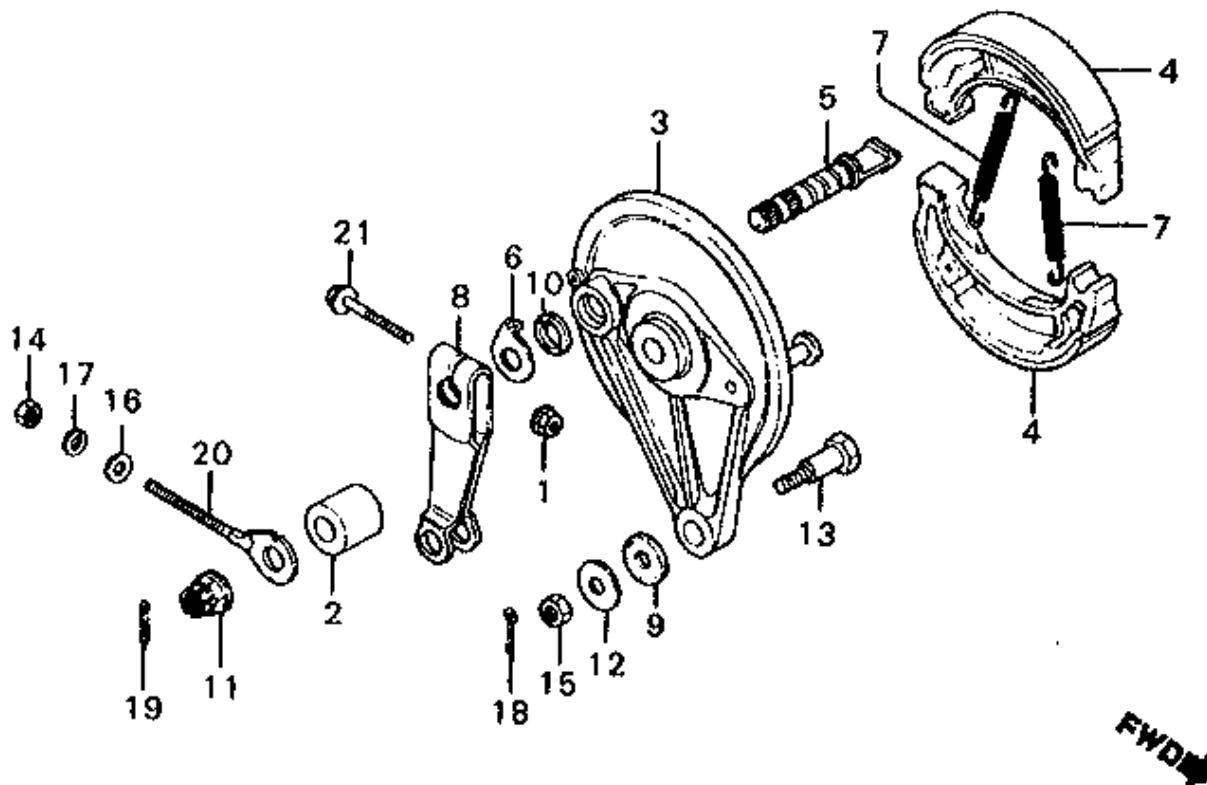
Parts List

Ref.	Part Desc.	Mod.	Qty.	Part Number	Area	Org.	ColorLabel
001	GASKET, EX. PIPE	M	001	18292-KR1-680	A	JPN	
002	GASKET, PROTECTOR	M	002	18292-167-890	A	JPN	
003	RUBBER, PROTECTOR GASKET		001	18293-147-000	A	JPN	
004	MUFFLER, EX.	MX	001	18300-166-020	A	JPN	
005	PROTECTOR, MUFFLER		001	18318-166-010	A	JPN	
006	PIPE, DIFFUSER		001	18350-166-641	A	JPN	
007	COLLAR, DIFFUSER PIPE MOUNT		001	18351-166-000	A	JPN	
008	SCREW, PAN (6X8)	M	001	93500-06008-0G	A	JPN	
009	SCREW, PAN (6X35)		001	93500-06035-0G	A	JPN	
010	NUT, FLANGE (8MM)	M	002	94050-08000	A	JPN	
011	WASHER, PLAIN (6MM)		001	94101-06700	A	JPN	
012	BOLT, FLANGE (8X16)	Z	001	95700-08016-00	A	JPN	
012	BOLT, FLANGE (8X16)		001	95701-08016-00	A	JPN	

American Honda Motor Co., Inc.

Illustration: REAR BRAKE PANEL (F 10)

MOTORCYCLE,-----,MB5,1982



PROGRAM AND DATA ARE THE PROPERTY OF AMERICAN HONDA MOTOR CO., INC.

Parts List

Ref.	Part Desc.	Mod.	Qty.	Part Number	Area	Org.	ColorLabel
001	NUT, FLANGE (6MM)		001	94050-06000	A	JPN	
002	COLLAR, RR. BRAKE PANEL SIDE		001	42313-166-000	A	JPN	
003	PANEL, RR. BRAKE *NH105*(MAT BLACK)		001	43100-153-601ZA	A	JPN	
004	SHOE, BRAKE (NIPPON)		002	43120-365-671	A	JPN	
004	SHOE, FR. BRAKE		002	43120-365-672	A	JPN	
005	CAM, RR. BRAKE		001	43141-400-010	A	JPN	
006	INDICATOR, RR. BRAKE		001	43145-149-000	A	JPN	
007	SPRING, BRAKE SHOE		002	43151-110-000	A	JPN	
008	ARM, RR. BRAKE		001	43410-086-720	A	JPN	
009	RUBBER, STOPPER ARM CUSHION		001	43434-286-000	A	JPN	
010	DUST SEAL, BRAKE CAM		001	45134-250-000	A	JPN	
011	NUT, AXLE (12MM)		001	90305-169-000	A	JPN	
012	WASHER (8MM)		001	90505-425-000	A	JPN	
012	WASHER A, HANDLE HOLDER SETTING		001	90524-030-000	A	JPN	
013	BOLT A, BRAKE STOPPER		001	92811-10000	A	JPN	

American Honda Motor Co., Inc.

Illustration: REAR BRAKE PANEL (F 10)

MOTORCYCLE,-----,MB5,1982

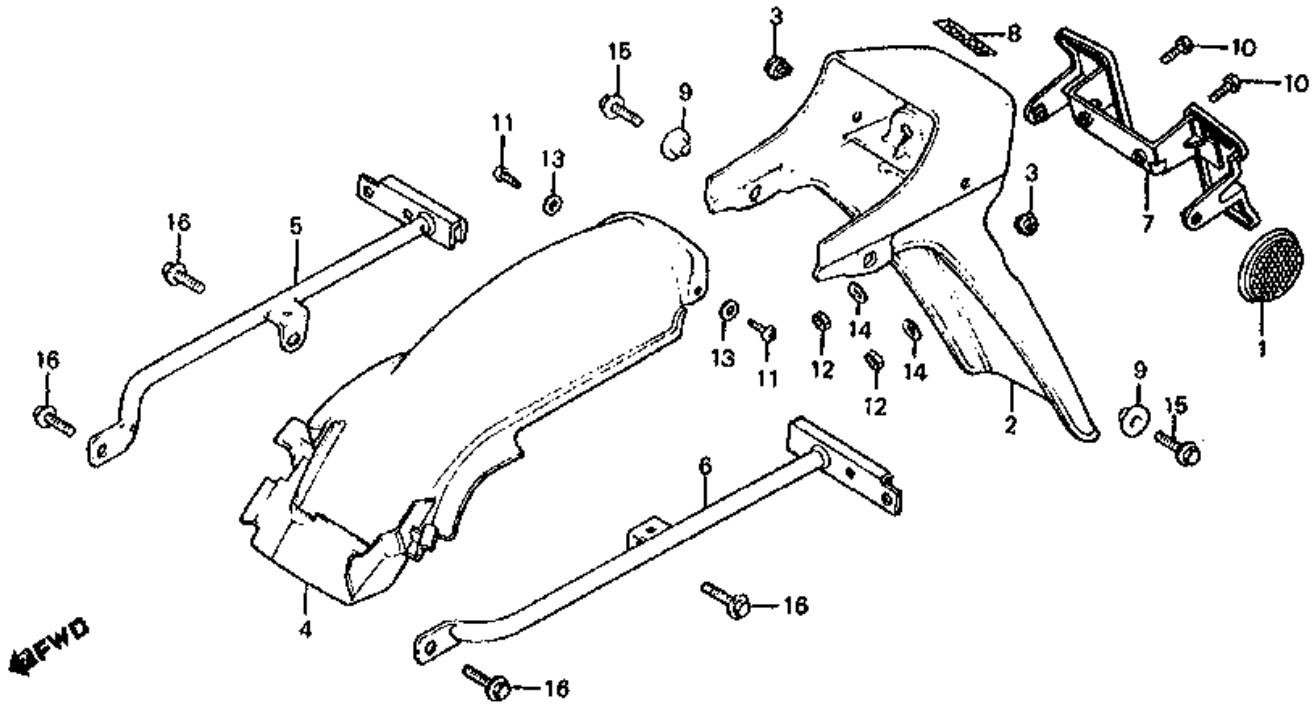
Parts List

Ref.	Part Desc.	Mod.	Qty.	Part Number	Area	Org.	ColorLabel
014	NUT, HEX. (6MM)	M	001	94001-06000-0S	A	JPN	
014	NUT, HEX. (6MM)	M	001	94001-06200-0S	A	JPN	
015	NUT, HEX. (8MM)		001	94001-08000-0S	A	JPN	
016	WASHER, PLAIN (6MM)		001	94103-06000	A	JPN	
017	WASHER, SPRING (6MM)		001	94111-06000	A	JPN	
018	PIN, COTTER (2.0X15)		001	94201-20150	A	JPN	
019	PIN, COTTER (3.0X45)		001	94201-30450	A	JPN	
020	ADJUSTER S, R. CHAIN		001	95014-10010	A	JPN	
021	BOLT, FLANGE (6X32)		001	95701-06032-00	A	JPN	
NI	SHOE SET, BRAKE (ASK)		001	06430-GBJ-J10	A	JPN	

American Honda Motor Co., Inc.

Illustration: REAR FENDER (F 20)

MOTORCYCLE,-----,MB5,1982



PROGRAM AND DATA ARE THE PROPERTY OF AMERICAN HONDA MOTOR CO., INC.

Parts List

Ref.	Part Desc.	Mod.	Qty.	Part Number	Area	Org.	ColorLabel
001	REFLECTOR, RR. REFLEX		002	33741-148-871	A	JPN	
001	REFLECTOR, RR. REFLEX		002	33741-HB9-641	A	JPN	
002	FENDER A, RR. *R33*(HELIOS RED)	X	001	80100-166-000ZA	A	JPN	
002	FENDER A, RR. *NH1*(BLACK)	X	001	80100-166-000ZC	A	JPN	
003	GROMMET, WIRE		002	80101-183-000	A	JPN	
004	FENDER B, RR.		001	80105-183-000	A	JPN	
005	PIPE, R. GRIP		001	84100-166-670	A	JPN	
006	PIPE, L. GRIP		001	84200-166-670	A	JPN	
007	BRACKET, NUMBER PLATE		001	84701-166-670	A	JPN	
008	MARK, RR. FENDER *NH0/A18* (WHITE/SPECIFIED RED)		001	87127-166-000ZA	A	JPN	
008	MARK, RR. FENDER *A73/NH1* (GOLD/BLACK)		001	87127-166-000ZD	A	JPN	
009	WASHER (6X20)		002	90512-300-000	A	JPN	
010	BOLT, HEX. (6X20)	M	002	92101-06012-0H	A	JPN	
011	SCREW, TAPPING (4X12)		002	93901-24320	A	JPN	
012	NUT, HEX. (6MM)		002	94001-06080-0S	A	JPN	
013	WASHER, PLAIN (4MM)		002	94101-04800	A	JPN	

American Honda Motor Co., Inc.

Illustration: REAR FENDER (F 20)

MOTORCYCLE,-----,MB5,1982

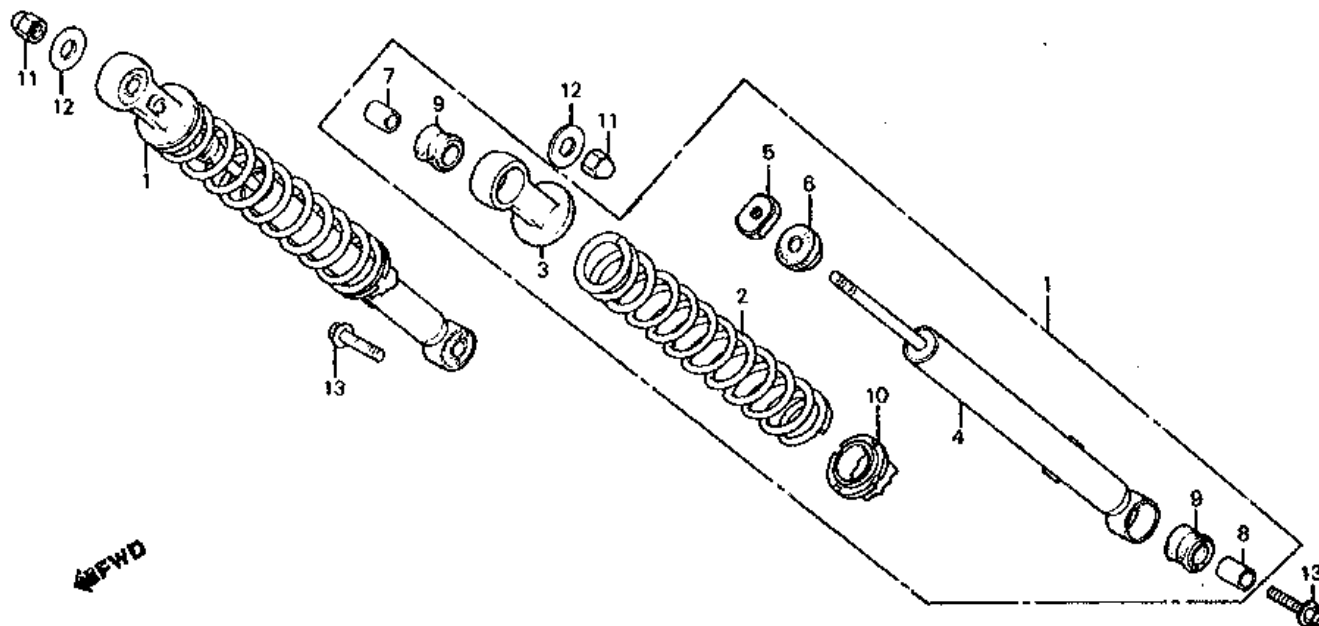
Parts List

Ref.	Part Desc.	Mod.	Qty.	Part Number	Area	Org.	ColorLabel
014	WASHER (6MM)		002	90485-286-000	A	JPN	
015	BOLT, FLANGE (6X16)		002	95701-06016-00	A	JPN	
016	BOLT, FLANGE (8X16)	Z	004	95700-08016-00	A	JPN	
016	BOLT, FLANGE (8X16)		004	95701-08016-00	A	JPN	

American Honda Motor Co., Inc.

Illustration: REAR SHOCK ABSORBER (F 19)

MOTORCYCLE,-----,MB5,1982



PROGRAM AND DATA ARE THE PROPERTY OF AMERICAN HONDA MOTOR CO., INC.

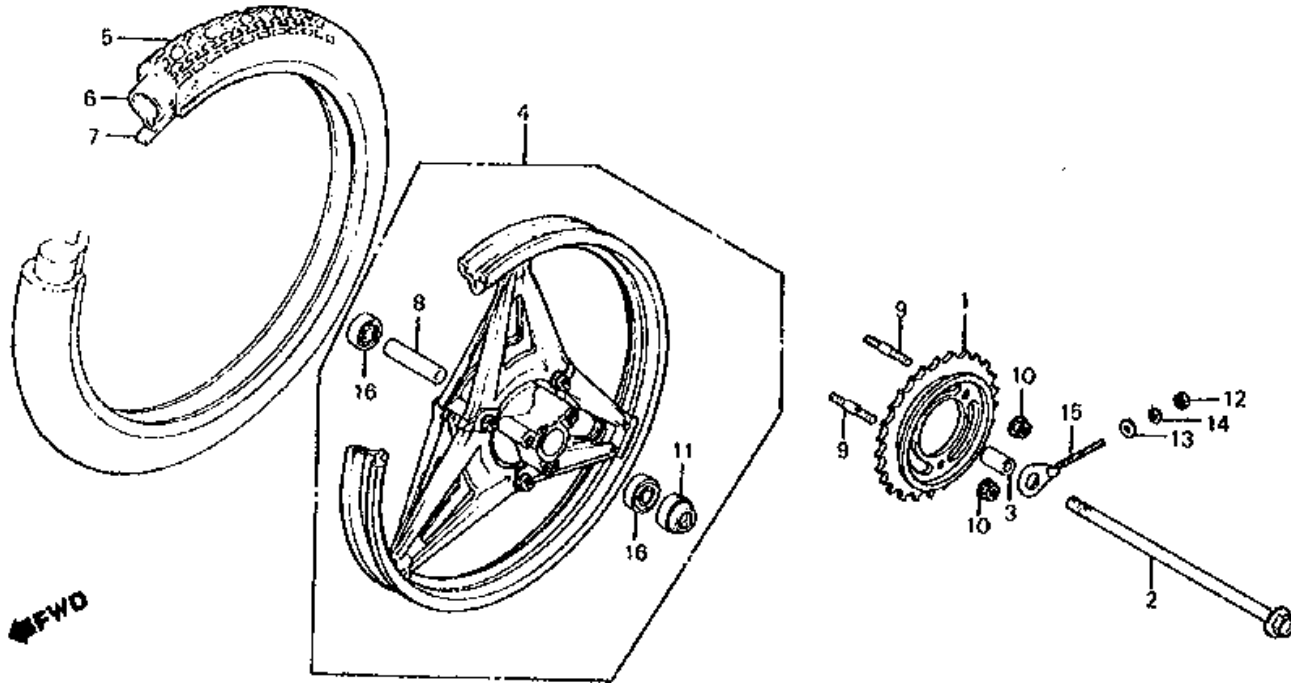
Parts List

Ref.	Part Desc.	Mod.	Qty.	Part Number	Area	Org.	ColorLabel
001	SHOCK ABSORBER ASSY., RR.	X	002	52400-166-613	A	JPN	
002	SPRING, RR. SHOCK ABSORBER		002	52401-166-611	A	JPN	
003	METAL, RR. SHOCK ABSORBER (UPPER)		002	52403-166-003	A	JPN	
004	DAMPER, RR.		002	52410-166-612	A	JPN	
005	NUT, RR. SHOCK ABSORBER LOCKING		002	52482-028-030	A	JPN	
006	RUBBER, SHOCK ABSORBER		002	52483-166-010	A	JPN	
007	COLLAR, RR. SHOCK ABSORBER RUBBER BUSH		002	52486-056-000	A	JPN	
008	COLLAR, RR. SHOCK ABSORBER RUBBER BUSH (UPPER)		002	52488-063-000	A	JPN	
009	BUSH, RUBBER (UPPER) (SHOWA)		004	52489-399-601	A	JPN	
010	ADJUSTER, RR. SHOCK ABSORBER SPRING		002	52490-116-671	A	JPN	
011	NUT, FLANGE (10MM)		002	90309-315-000	A	JPN	
012	WASHER, PLAIN (10.3MM)		002	90527-230-000	A	JPN	
013	BOLT, FLANGE (10X35)		002	95701-10035-00	A	JPN	

American Honda Motor Co., Inc.

Illustration: REAR WHEEL (F 11)

MOTORCYCLE,-----,MB5,1982



PROGRAM AND DATA ARE THE PROPERTY OF AMERICAN HONDA MOTOR CO., INC.

Parts List

Ref.	Part Desc.	Mod.	Qty.	Part Number	Area	Org.	ColorLabel
001	SPROCKET, FINAL DRIVEN (43T)		001	41200-166-670	A	JPN	
002	AXLE, RR. WHEEL		001	42301-166-000	A	JPN	
003	COLLAR, RR. WHEEL SIDE		001	42311-166-000	A	JPN	
004	WHEEL SET, FR/RR	W	001	44650-166-505	A	JPN	
005	TIRE, RR. (2.50-18) (4PR) (INOUE)		001	42711-166-671	A	JPN	
005	TIRE, RR. (2.50-18) (4PR) (DUNLOP)		001	42711-166-672	A	JPN	
005	TIRE, RR. (2.50-18) (4PR) (BS)	D	001	42711-166-673	A	JPN	
006	TUBE, TIRE (2.75-18) (YOKOHAMA)	M	001	08400-21600	A	JPN	
006	TUBE, TIRE (3.00-18)	M	001	08400-26800	A	JPN	
006	TUBE, TIRE (2.50-18) (DUNLOP)	M	001	42712-166-004	A	JPN	
006	TUBE, TIRE (3.50/3.75-18) (4.10-18) (YOKOHAMA)	M	001	42712-388-009	A	JPN	
006	TUBE (275/300-18) (IRC)		001	42712-KC6-005	A	JPN	
006	TUBE, TIRE (2.50-18)	M	001	44712-028-000	A	JPN	
006	TUBE, TIRE (2.50-18) (INOUE)		001	44712-150-005	A	JPN	
006	TUBE, TIRE (2.75-18) (YOKOHAMA)	M	001	44712-205-000	A	JPN	
007	FLAP, TIRE (1.40-18) (DUNLOP)		001	42713-166-004	A	JPN	
007	FLAP, TIRE (1.40/1.60-18) (BS)		001	42713-304-003	A	JPN	

American Honda Motor Co., Inc.

Illustration:REAR WHEEL (F 11)

MOTORCYCLE,-----,MB5,1982

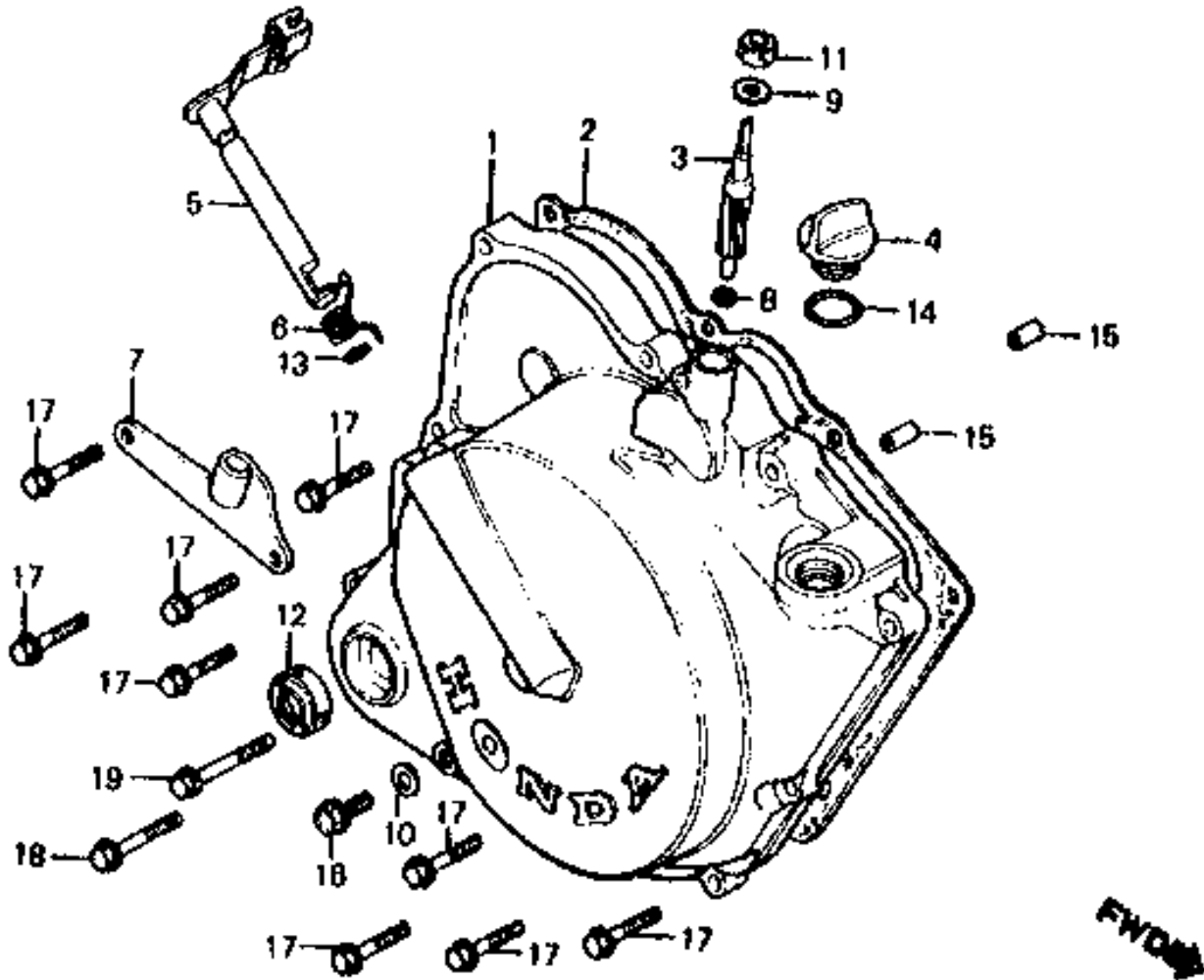
Parts List

Ref.	Part Desc.	Mod.	Qty.	Part Number	Area	Org.	ColorLabel
007	FLAP, TIRE (1.40-18) (INOUE)		001	44713-150-005	A	JPN	
008	COLLAR, DISTANCE		001	44602-098-000	A	JPN	
009	BOLT, STUD (10X48MM)		003	90125-323-000	A	JPN	
010	NUT, FLANGE (10MM)		003	90308-382-670	A	JPN	
011	OIL SEAL (23X37X7)		001	91252-030-003	A	JPN	
012	NUT, HEX. (6MM)	M	001	94001-06000-0S	A	JPN	
012	NUT, HEX. (6MM)	M	001	94001-06200-0S	A	JPN	
013	WASHER, PLAIN (6MM)		001	94103-06000	A	JPN	
014	WASHER, SPRING (6MM)		001	94111-06000	A	JPN	
015	ADJUSTER S, R. CHAIN		001	95014-10010	A	JPN	
016	BEARING, RADIAL BALL (6301U)		002	96140-63010-10	A	JPN	

American Honda Motor Co., Inc.

Illustration:RIGHT CRANKCASE COVER (E 02)

MOTORCYCLE,-----,MB5,1982



PROGRAM AND DATA ARE THE PROPERTY OF AMERICAN HONDA MOTOR CO., INC.

Parts List

Ref.	Part Desc.	Mod.	Qty.	Part Number	Area	Org.	ColorLabel
001	COVER, R. CRANKCASE		001	11331-166-000	A	JPN	
002	GASKET, R. CRANKCASE COVER		001	11393-167-670	A	JPN	
003	GEAR, TACHOMETER		001	12431-166-000	A	JPN	
004	CAP, OIL FILLER		001	15611-381-000	A	JPN	
005	LEVER, CLUTCH		001	22810-166-000	A	JPN	
006	SPRING, CLUTCH LEVER		001	22815-166-000	A	JPN	
007	RECEIVER, CLUTCH CABLE		001	22821-166-000	A	JPN	
008	WASHER A, TACHOMETER		001	90444-611-920	A	JPN	
009	WASHER, THRUST (6.7MM)		001	90458-324-010	A	JPN	
010	WASHER, SEALING (6.5X12)		001	90461-357-000	A	JPN	

American Honda Motor Co., Inc.

Illustration:RIGHT CRANKCASE COVER (E 02)

MOTORCYCLE,-----,MB5,1982

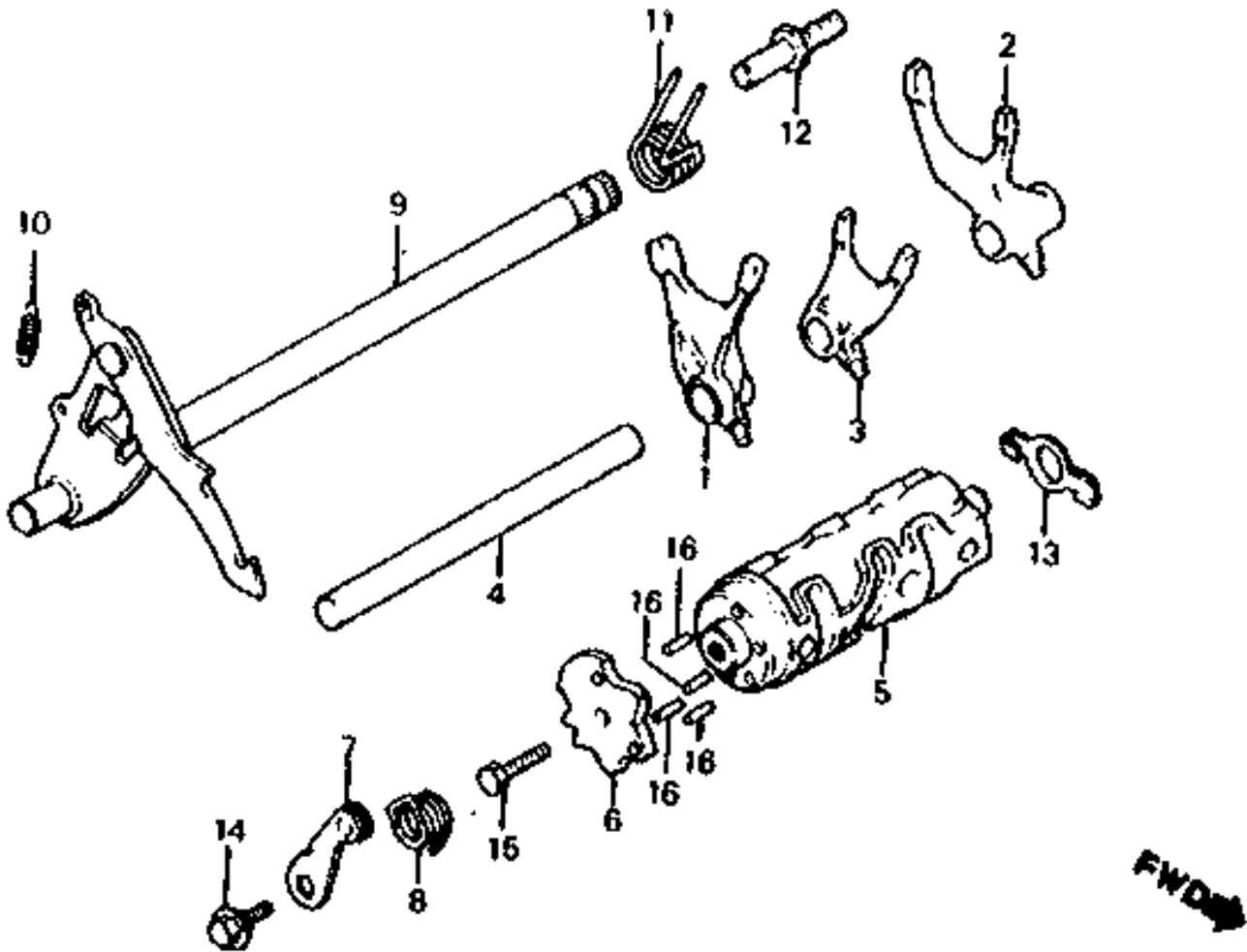
Parts List

Ref.	Part Desc.	Mod.	Qty.	Part Number	Area	Org.	ColorLabel
011	OIL SEAL (6.5X14.5X7) (ARAI)		001	91201-324-023	A	JPN	
012	OIL SEAL (15X25X6)		001	91211-671-003	A	JPN	
013	O-RING (8.8X1.9)		001	91302-GE0-000	A	JPN	
014	O-RING (16MM)		001	91303-800-000	A	JPN	
014	O-RING (15.8X2.4) (SHOWA)		001	91304-MJ0-003	A	JPN	
015	PIN A, DOWEL (8X14)		002	94301-08140	A	JPN	
016	BOLT, FLANGE (6X10)		001	95701-06010-00	A	JPN	
017	BOLT, FLANGE (6X28)	M	009	96001-06028-00	A	JPN	
018	BOLT, FLANGE (6X35)		001	96001-06035-00	A	JPN	
019	BOLT, FLANGE (6X40)		001	96001-06040-00	A	JPN	

American Honda Motor Co., Inc.

Illustration:SHIFT DRUM @ SHIFT FORK (E 09)

MOTORCYCLE,-----,MB5,1982



PROGRAM AND DATA ARE THE PROPERTY OF AMERICAN HONDA MOTOR CO., INC.

Parts List

Ref.	Part Desc.	Mod.	Qty.	Part Number	Area	Org.	ColorLabel
001	FORK, R. GEARSHIFT		001	24210-166-000	A	JPN	
002	FORK, L. GEARSHIFT		001	24221-166-000	A	JPN	
003	FORK, CENTER GEARSHIFT		001	24230-166-000	A	JPN	
003	FORK, CENTER GEARSHIFT		001	24230-GT5-000	A	JPN	
004	SHAFT, GEARSHIFT FORK		001	24241-GT5-000	A	JPN	
005	DRUM, GEARSHIFT		001	24301-166-000	A	JPN	
006	PLATE, GEARSHIFT DRUM CAM		001	24303-166-000	A	JPN	
007	STOPPER, GEARSHIFT DRUM		001	24430-166-000	A	JPN	
008	SPRING, DRUM STOPPER		001	24436-166-000	A	JPN	
009	SPINDLE, GEARSHIFT		001	24610-168-000	A	JPN	
010	SPRING, GEARSHIFT ARM		001	24641-166-000	A	JPN	

American Honda Motor Co., Inc.

Illustration:SHIFT DRUM @ SHIFT FORK (E 09)

MOTORCYCLE,-----,MB5,1982

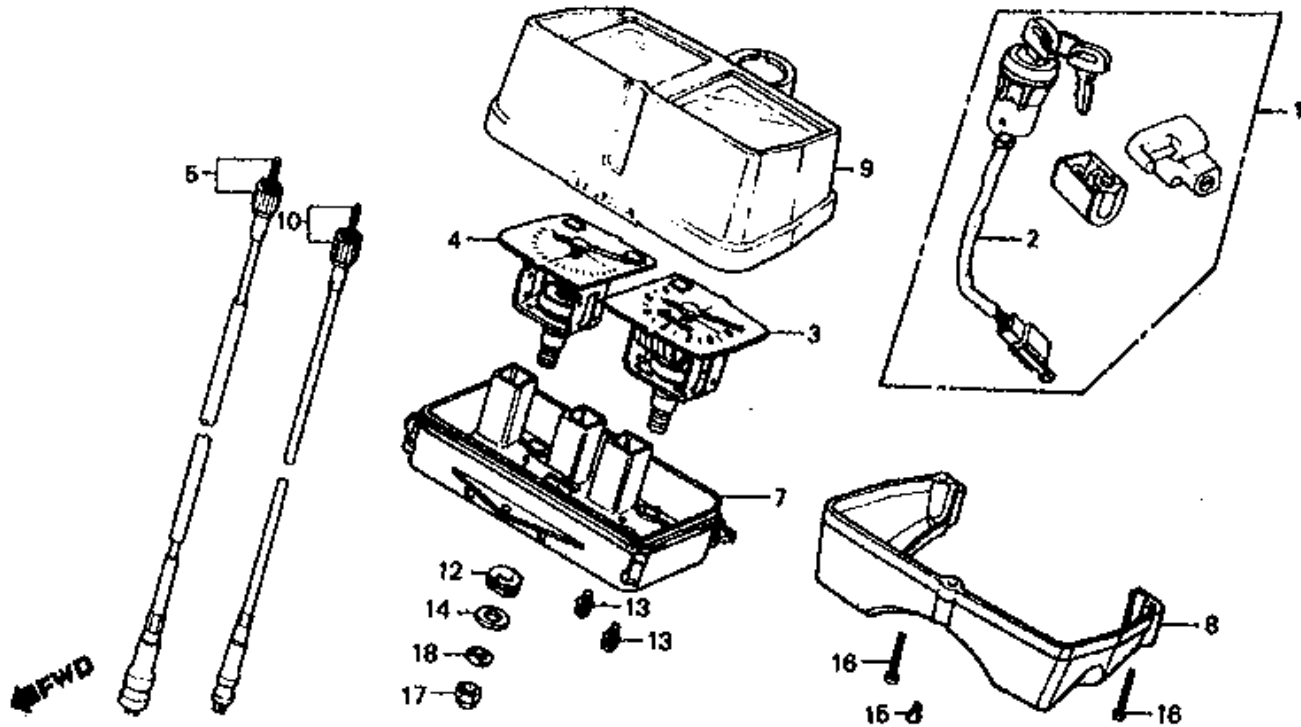
Parts List

Ref.	Part Desc.	Mod.	Qty.	Part Number	Area	Org.	ColorLabel
011	SPRING, GEARSHIFT RETURN		001	24651-166-000	A	JPN	
012	PIN, SHIFT RETURN SPRING		001	24652-035-000	A	JPN	
013	ROTOR, NEUTRAL SWITCH		001	35753-KE6-830	A	JPN	
014	BOLT, GEARSHIFT DRUM STOPPER ARM PIVOT		001	90023-041-010	A	JPN	
0							
015	BOLT, HEX. (6X16)		001	92101-06016-0A	A	JPN	
016	ROLLER (4X15.8)		004	96220-40158	A	JPN	

American Honda Motor Co., Inc.

Illustration: SPEEDOMETER @ TACHOMETER (F 02)

MOTORCYCLE,-----,MB5,1982



PROGRAM AND DATA ARE THE PROPERTY OF AMERICAN HONDA MOTOR CO., INC.

Parts List

Ref.	Part Desc.	Mod.	Qty.	Part Number	Area	Org.	ColorLabel
001	LOCK SET	X	001	35010-166-030	A	JPN	
002	SWITCH ASSY., COMBINATION		001	35100-166-047	A	JPN	
003	SPEEDOMETER ASSY.	X	001	37200-166-670	A	JPN	
004	TACHOMETER ASSY.	SX	001	37250-166-670	A	JPN	
005	CABLE ASSY., TACHOMETER	X	001	37260-436-600	A	JPN	
007	CASE, METER		001	37615-166-008	A	JPN	
007	CASE, METER		001	37615-166-018	A	JPN	
008	COVER, METER (LOWER)		001	37617-166-018	A	JPN	
009	CASE, METER (UPPER)		001	37620-166-008	A	JPN	
010	CABLE ASSY., SPEEDOMETER		001	44830-GE2-720	A	JPN	
012	RUBBER, RR. FENDER CUSHION		002	80101-283-000	A	JPN	
013	SCREW-WASHER, SPECIAL		004	90035-166-008	A	JPN	
014	WASHER (6.5X18)		002	90545-323-700	A	JPN	
015	SCREW, PAN (4X10)		001	93500-04010-0G	A	JPN	

American Honda Motor Co., Inc.

Illustration:SPEEDOMETER @ TACHOMETER (F 02)

MOTORCYCLE,-----,MB5,1982

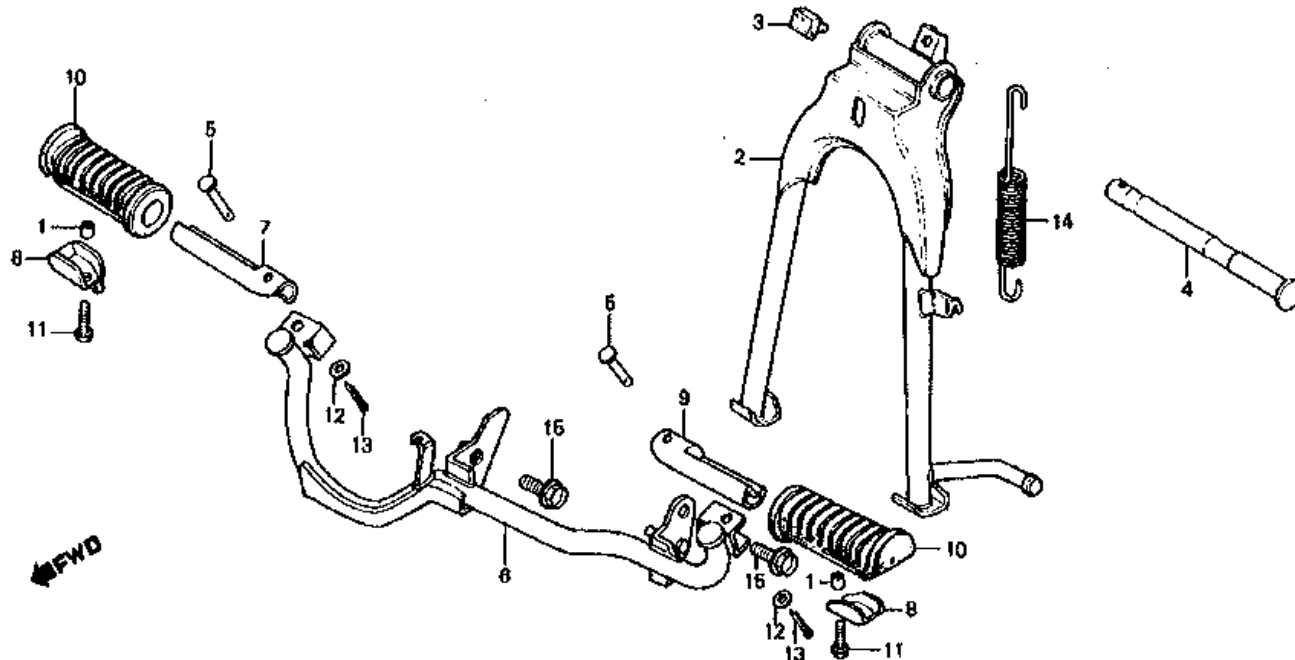
Parts List

Ref.	Part Desc.	Mod.	Qty.	Part Number	Area	Org.	ColorLabel
016	SCREW, PAN (4X25)		002	93500-04025-0G	A	JPN	
017	NUT, CAP (6MM)		002	94021-06000	A	JPN	
017	NUT, CAP (6MM)		002	94021-06020	A	JPN	
018	WASHER, SPRING (6MM)		002	94111-06000	A	JPN	

American Honda Motor Co., Inc.

Illustration:STEP @ STAND (F 17)

MOTORCYCLE,-----,MB5,1982



PROGRAM AND DATA ARE THE PROPERTY OF AMERICAN HONDA MOTOR CO., INC.

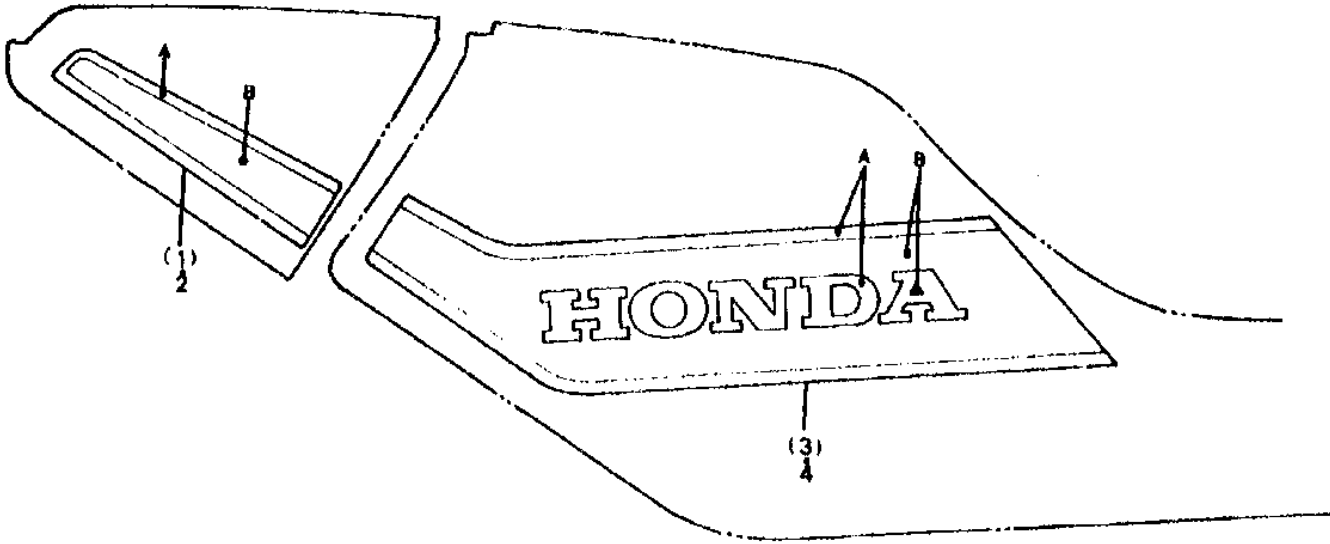
Parts List

Ref.	Part Desc.	Mod.	Qty.	Part Number	Area	Org.	ColorLabel
001	COLLAR, INSTRUMENT SETTING		002	37243-323-000	A	JPN	
002	STAND, MAIN		001	50500-166-010	A	JPN	
003	RUBBER, STAND STOPPER		001	50524-397-000	A	JPN	
004	SHAFT, MAIN STAND PIVOT		001	50526-166-000	A	JPN	
005	PIN, STEP BAR JOINT		002	50603-033-010	A	JPN	
006	BAR, STEP		001	50610-166-670	A	JPN	
007	BAR, R. STEP		001	50612-163-670	A	JPN	
008	STOPPER, STEP RUBBER		002	50619-163-670	A	JPN	
009	BAR, L. STEP		001	50643-163-670	A	JPN	
010	RUBBER, FOOTPEG		002	50661-426-000	A	JPN	
011	BOLT, HEX. (6X16)		002	92101-06016-0A	A	JPN	
012	WASHER, PLAIN (8MM)		002	94101-08000	A	JPN	
013	PIN, COTTER (1.6X25)		002	94201-16250	A	JPN	
014	SPRING J, MAIN STAND		001	95014-71902	A	JPN	
015	BOLT, FLANGE (10X20)		002	95701-10020-00	A	JPN	
015	BOLT, FLANGE (10X20)		002	95800-10020-00	A	JPN	

American Honda Motor Co., Inc.

Illustration:STRIPE (F 26)

MOTORCYCLE,-----,MB5,1982



PROGRAM AND DATA ARE THE PROPERTY OF AMERICAN HONDA MOTOR CO., INC.

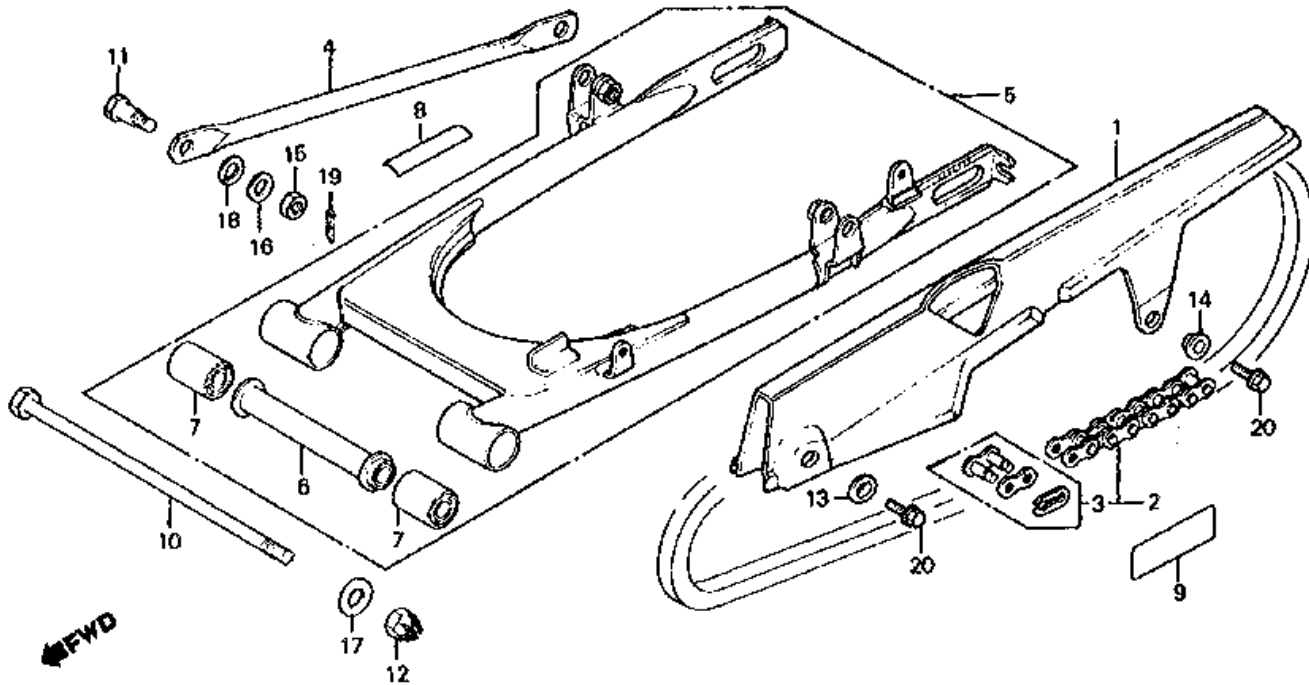
Parts List

Ref.	Part Desc.	Mod.	Qty.	Part Number	Area	Org.	ColorLabel
001	STRIPE, R. FR. COVER (TYPE1) (A.M.)		001	17506-166-770ZA	A	JPN	
001	STRIPE, R. FR. COVER (TYPE2) (A.M.)		001	17506-166-770ZB	A	JPN	
002	STRIPE, L. FR. COVER (TYPE1) (A.M.)		001	17507-166-770ZA	A	JPN	
002	STRIPE, L. FR. COVER (TYPE2) (A.M.)		001	17507-166-770ZB	A	JPN	
003	STRIPE, R. FUEL TANK (TYPE1) (A.M.)		001	17508-166-770ZA	A	JPN	
003	STRIPE, R. FUEL TANK (TYPE2) (A.M.)		001	17508-166-770ZB	A	JPN	
004	STRIPE, L. FUEL TANK (TYPE1) (A.M.)		001	17509-166-770ZA	A	JPN	
004	STRIPE, L. FUEL TANK (TYPE2) (A.M.)		001	17509-166-770ZB	A	JPN	

American Honda Motor Co., Inc.

Illustration: SWING ARM @ CHAIN CASE (F 18)

MOTORCYCLE,-----,MB5,1982



PROGRAM AND DATA ARE THE PROPERTY OF AMERICAN HONDA MOTOR CO., INC.

Parts List

Ref.	Part Desc.	Mod.	Qty.	Part Number	Area	Org.	ColorLabel
001	CASE, DRIVE CHAIN		001	40510-166-000	A	JPN	
002	CHAIN, DRIVE (DID420M-106L) (DAIDO)		001	40530-166-003	A	JPN	
002	CHAIN, DRIVE		001	405W3-GN1-505	A	JPN	
002	CHAIN, DRIVE		001	405W3-GT9-505	A	JPN	
003	MASTER LINK (DAIDO)		001	40531-098-003	A	JPN	
004	ARM, RR. BRAKE STOPPER		001	43431-166-000	A	JPN	
005	SWINGARM ASSY., RR. *R33*(HELIOS RED)		001	52110-166-670ZA	A	JPN	
005	SWINGARM, RR. *NH1*		001	52110-167-880ZD	A	JPN	
006	COLLAR, RR. SWINGARM		001	52111-166-000	A	JPN	
007	BUSH, SWINGARM PIVOT		002	52147-028-300	A	JPN	

American Honda Motor Co., Inc.

Illustration: SWING ARM @ CHAIN CASE (F 18)

MOTORCYCLE,-----,MB5,1982

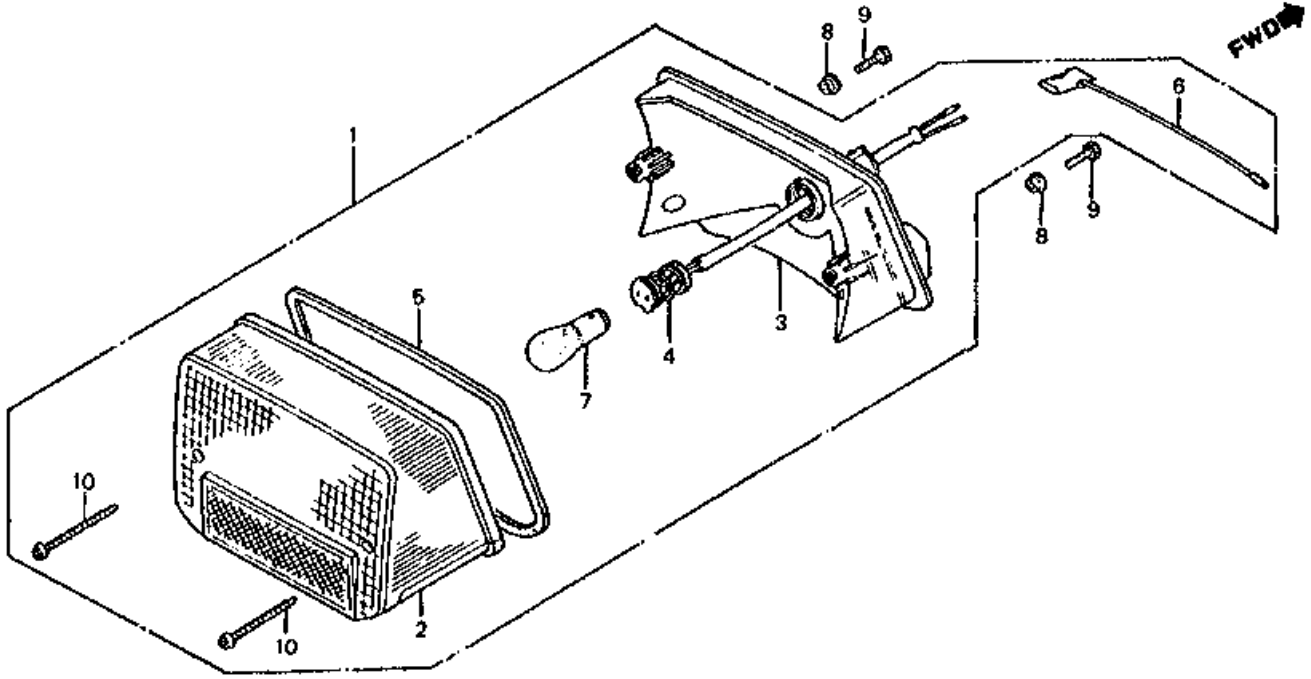
Parts List

Ref.	Part Desc.	Mod.	Qty.	Part Number	Area	Org.	ColorLabel
008	LABEL, MUFFLER CAUTION		001	87504-028-670	A	JPN	
009	MARK, TIRE CAUTION		001	87505-166-670	A	JPN	
010	BOLT, RR. SWINGARM PIVOT		001	90121-360-010	A	JPN	
011	BOLT, RR. BRAKE STOPPER ARM		001	90133-331-770	A	JPN	
012	NUT, SELF-LOCK (12MM)		001	90353-045-000	A	JPN	
013	WASHER (6X9)		001	90513-323-000	A	JPN	
014	WASHER, NUMBER BRACKET SETTING		001	90563-045-000	A	JPN	
015	NUT, HEX. (8MM)		001	94001-08000-0S	A	JPN	
016	WASHER, PLAIN (8MM)		001	94101-08000	A	JPN	
017	WASHER, PLAIN (12MM)		001	94101-12000	A	JPN	
018	WASHER, SPRING (8MM)		001	94111-10000	A	JPN	
019	PIN, COTTER (2.0X15)		001	94201-20150	A	JPN	
020	BOLT, FLANGE (6X12)	Z	002	95700-06012-00	A	JPN	
020	BOLT, FLANGE (6X12)		002	95701-06012-00	A	JPN	

American Honda Motor Co., Inc.

Illustration:TAILLIGHT (F 22)

MOTORCYCLE,-----,MB5,1982



PROGRAM AND DATA ARE THE PROPERTY OF AMERICAN HONDA MOTOR CO., INC.

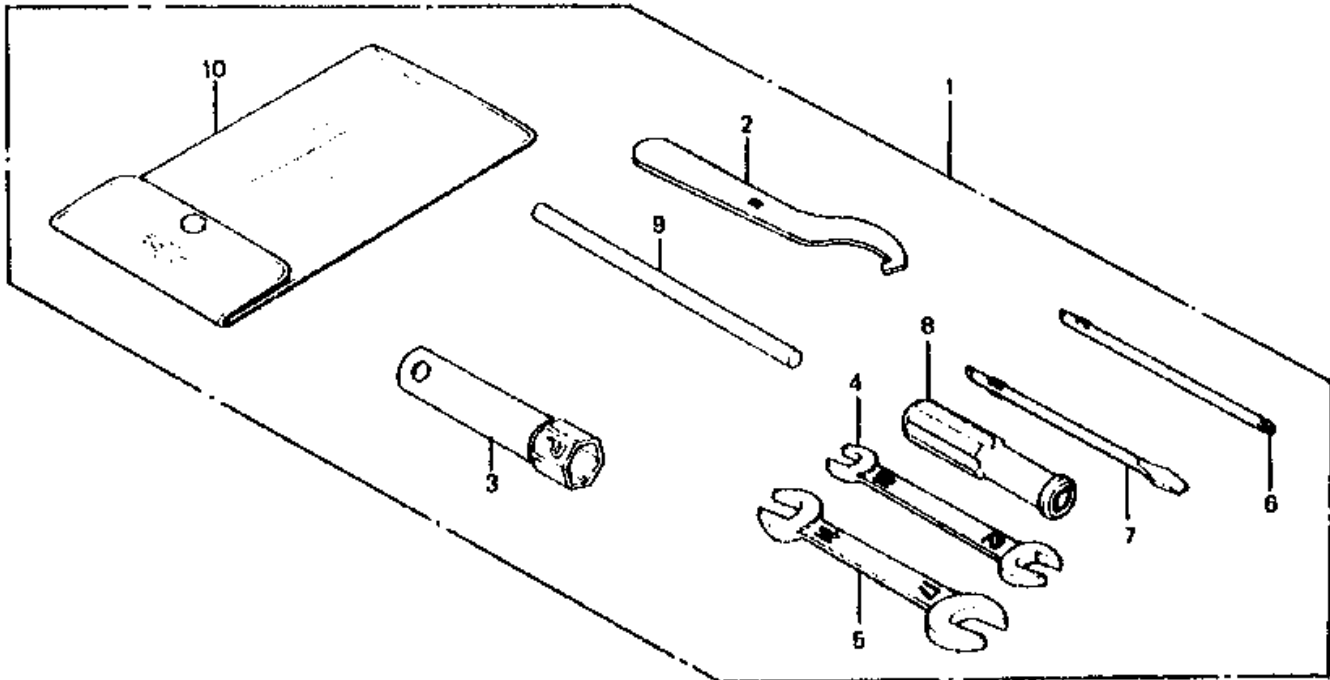
Parts List

Ref.	Part Desc.	Mod.	Qty.	Part Number	Area	Org.	ColorLabel
001	TAILLIGHT UNIT (STANLEY)	X	001	33701-166-671	A	JPN	
002	LENS, TAILLIGHT	X	001	33702-166-671	A	JPN	
003	BASE, TAILLIGHT		001	33703-166-671	A	JPN	
004	WIRE, TAILLIGHT		001	33705-166-770	A	JPN	
005	GASKET, TAILLIGHT LENS		001	33709-166-671	A	JPN	
006	WIRE, GROUND		001	33718-166-003	A	JPN	
007	BULB, TAILLIGHT (12V27/8W) (STANLEY)		001	34906-425-771	A	JPN	
008	WASHER, HEADLIGHT CASE SETTING		002	90520-134-000	A	JPN	
009	BOLT, HEX. (5X16)		002	92101-05016-0H	A	JPN	
010	SCREW, TAPPING (4X30)		002	93901-34710	A	JPN	

American Honda Motor Co., Inc.

Illustration: TOOLS (F 25)

MOTORCYCLE,-----,MB5,1982



PROGRAM AND DATA ARE THE PROPERTY OF AMERICAN HONDA MOTOR CO., INC.

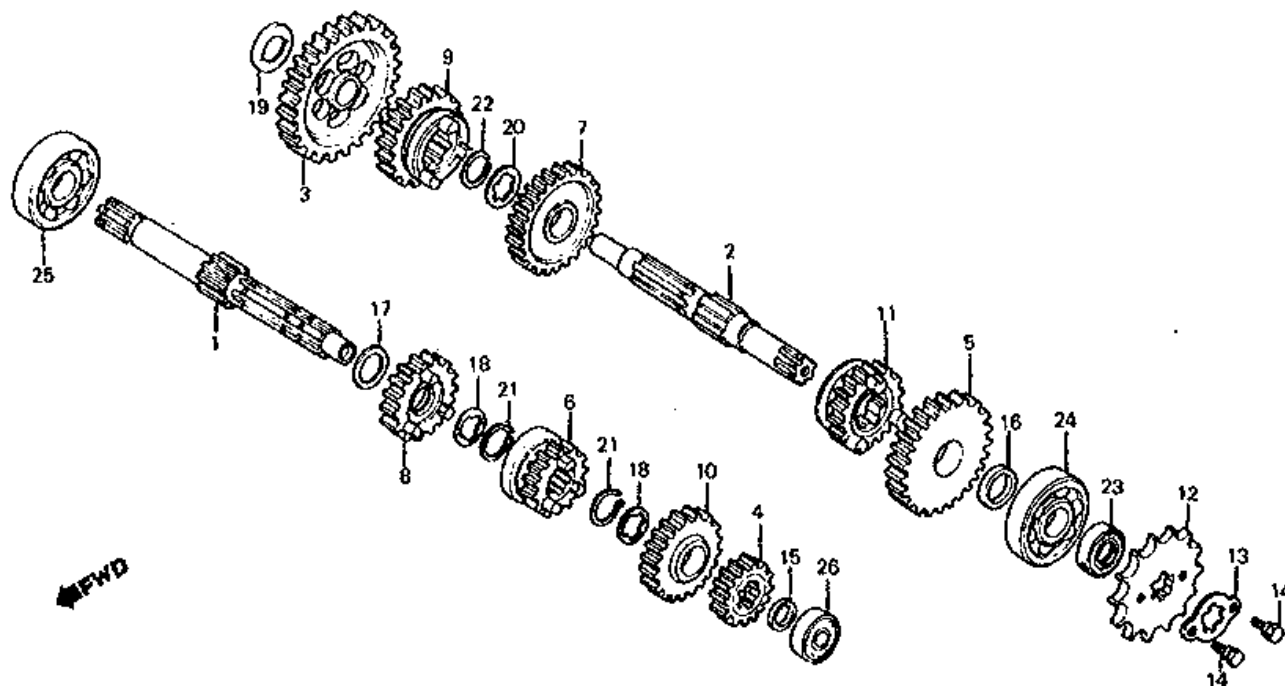
Parts List

Ref.	Part Desc.	Mod.	Qty.	Part Number	Area	Org.	ColorLabel
001	TOOL SET	X	001	89010-166-610	A	JPN	
002	WRENCH, PIN	W	001	89215-404-670	A	JPN	
003	WRENCH, BOX (P21)	W	001	89216-357-000	A	JPN	
004	WRENCH (10X12) (OPEN END)	X	001	99001-10120	A	JPN	
005	WRENCH (14X17) (OPEN END)		001	99001-14170	A	JPN	
006	SCREWDRIVER 1, PHILLIPS (NO.2)		001	99003-10000	A	JPN	
007	SCREWDRIVER 3, STRAIGHT SLOT (NO. 2)		001	99003-30000	A	JPN	
008	GRIP		001	99003-50000	A	JPN	
009	BAR A, HANDLE		001	99005-01000	A	JPN	
010	BAG, TOOL (160MM)		001	99008-01600	A	JPN	

American Honda Motor Co., Inc.

Illustration: TRANSMISSION (E 08)

MOTORCYCLE,-----,MB5,1982



PROGRAM AND DATA ARE THE PROPERTY OF AMERICAN HONDA MOTOR CO., INC.

Parts List

Ref.	Part Desc.	Mod.	Qty.	Part Number	Area	Org.	ColorLabel
001	MAINSHAFT, TRANSMISSION (12T)		001	23211-166-010	A	JPN	
002	COUNTERSHAFT, TRANSMISSION		001	23221-166-000	A	JPN	
003	GEAR, COUNTERSHAFT LOW (37T)		001	23421-166-010	A	JPN	
004	GEAR, MAINSHAFT SECOND (17T)		001	23441-115-010	A	JPN	
005	GEAR, COUNTERSHAFT SECOND (32T)		001	23451-149-000	A	JPN	
006	GEAR, MAINSHAFT THIRD (20T)		001	23462-166-010	A	JPN	
007	GEAR, COUNTERSHAFT THIRD (28T)		001	23471-166-010	A	JPN	
008	GEAR, MAINSHAFT FOURTH (23T)		001	23477-166-010	A	JPN	
009	GEAR, COUNTERSHAFT FOURTH (26T)		001	23482-166-000	A	JPN	
010	GEAR, MAINSHAFT TOP (25T)		001	23501-149-010	A	JPN	
011	GEAR, COUNTERSHAFT TOP (24T)		001	23511-115-010	A	JPN	
012	SPROCKET, DRIVE (13T)		001	23800-GB4-000	A	JPN	
013	PLATE, DRIVE SPROCKET FIXING		001	23802-041-010	A	JPN	
014	BOLT, DRIVE SPROCKET FIXING		002	90084-041-000	A	JPN	
015	COLLAR, MAINSHAFT		001	90437-166-000	A	JPN	
016	COLLAR, COUNTERSHAFT		001	90439-166-000	A	JPN	
017	WASHER B, THRUST (17MM)		001	90453-115-000	A	JPN	
018	WASHER, SPLINE (17MM)		002	90461-115-000	A	JPN	
019	WASHER, THRUST (15MM)		001	90463-166-000	A	JPN	
020	WASHER A, SPLINE (19MM)		001	90464-166-000	A	JPN	
021	CIRCLIP (OUTER) (17MM)		002	90601-001-000	A	JPN	

American Honda Motor Co., Inc.

Illustration:TRANSMISSION (E 08)

MOTORCYCLE,-----,MB5,1982

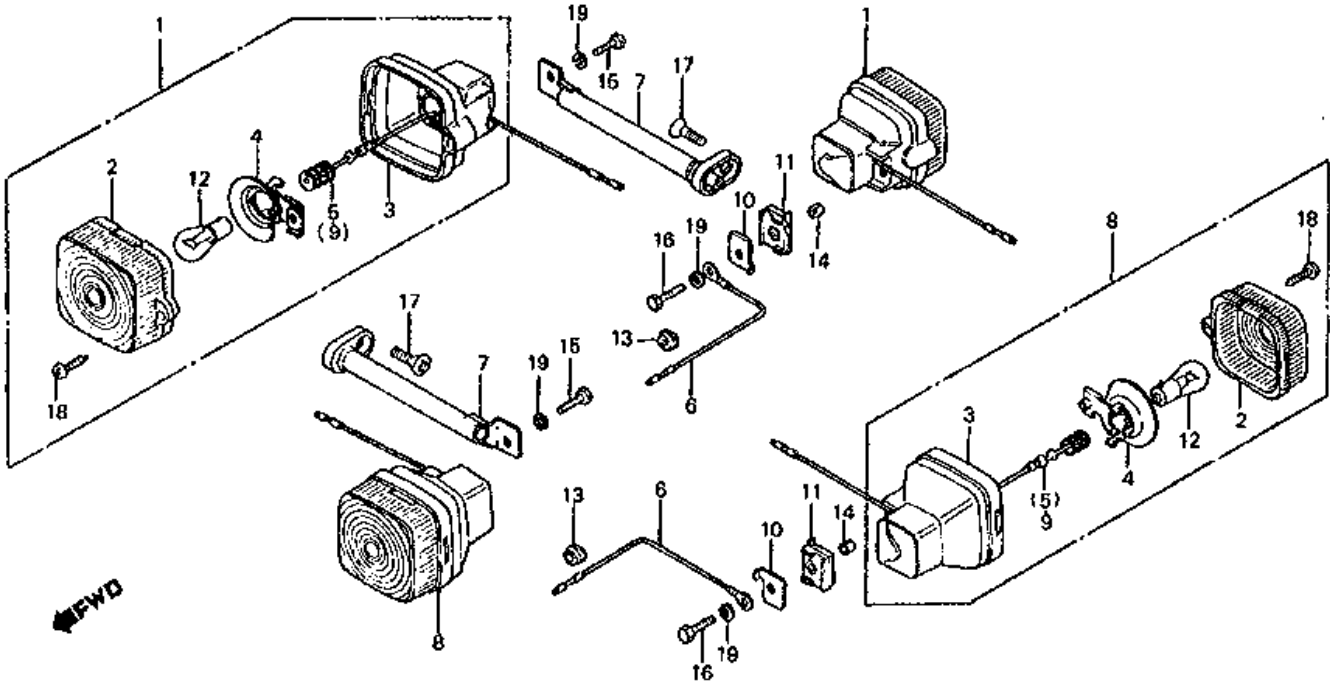
Parts List

Ref.	Part Desc.	Mod.	Qty.	Part Number	Area	Org.	ColorLabel
022	CIRCLIP (19MM)		001	90602-166-010	A	JPN	
023	OIL SEAL (17X28X7)		001	91201-415-013	A	JPN	
024	BEARING, RADIAL BALL (6303)		001	96100-63030-00	A	JPN	
025	BEARING, RADIAL BALL (6303)		001	96120-63030-00	A	JPN	
026	BEARING, RADIAL BALL (6001)		001	96140-60010-00	A	JPN	

American Honda Motor Co., Inc.

Illustration:TURN SIGNAL (F 21)

MOTORCYCLE,-----,MB5,1982



PROGRAM AND DATA ARE THE PROPERTY OF AMERICAN HONDA MOTOR CO., INC.

Parts List

Ref.	Part Desc.	Mod.	Qty.	Part Number	Area	Org.	ColorLabel
001	TURN SIGNAL ASSY., R. FR. (STANLEY)		002	33400-166-671	A	JPN	
001	TURN SIGNAL ASSY.		002	33400-GC1-406	A	JPN	
002	LENS, TURN SIGNAL		004	33402-195-023	A	JPN	
003	BASE, TURN SIGNAL		004	33403-195-003	A	JPN	
003	BASE, TURN SIGNAL		004	33403-195-013	A	JPN	
004	REFLECTOR, TURN SIGNAL		004	33404-174-771	A	JPN	
005	WIRE, R. TURN SIGNAL (STANLEY)	X	002	33410-166-013	A	JPN	
006	WIRE, TURN SIGNAL GROUND		002	33415-166-670	A	JPN	
007	STAY, FR. TURN SIGNAL		002	33441-126-870	A	JPN	
008	TURN SIGNAL ASSY., R. FR. (STANLEY)		002	33400-166-671	A	JPN	
008	TURN SIGNAL ASSY.		002	33400-GC1-406	A	JPN	
008	TURN SIGNAL ASSY., L. (STANLEY)		002	33450-166-671	A	JPN	
009	WIRE, L. TURN SIGNAL (STANLEY)	X	002	33460-166-013	A	JPN	
010	WASHER, TURN SIGNAL MOUNT		002	33611-437-710	A	JPN	
011	RUBBER, TURN SIGNAL MOUNT		002	33612-437-710	A	JPN	
012	BULB, TURN SIGNAL (12V23W32CP)(1073) (STANLEY)		004	34905-268-671	A	JPN	
013	GROMMET, WIRE		002	80101-166-000	A	JPN	
014	COLLAR (7.5X6.8)		002	90501-437-710	A	JPN	

American Honda Motor Co., Inc.

Illustration:TURN SIGNAL (F 21)

MOTORCYCLE,-----,MB5,1982

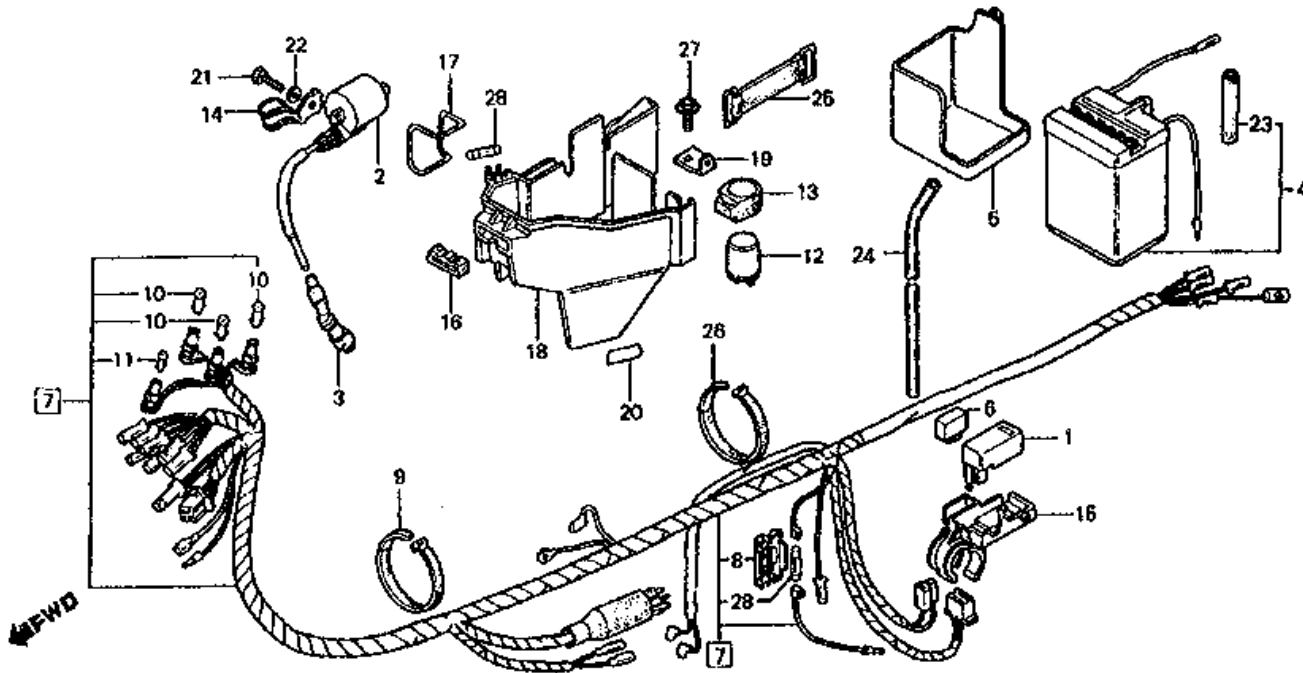
Parts List

Ref.	Part Desc.	Mod.	Qty.	Part Number	Area	Org.	ColorLabel
015	BOLT, HEX. (5X12)		002	92101-05012-0G	A	JPN	
0							
016	BOLT, HEX. (5X16)		002	92101-05016-0A	A	JPN	
017	SCREW, OVAL (6X16)		002	93700-06016-0A	A	JPN	
018	SCREW, TAPPING (4X16)		004	93901-14480	A	JPN	
019	WASHER, SPRING (5MM)		004	94111-05000	A	JPN	

American Honda Motor Co., Inc.

Illustration: WIRE HARNESS @ IGNITION COIL @ BATTERY (F 23)

MOTORCYCLE,-----,MB5,1982



PROGRAM AND DATA ARE THE PROPERTY OF AMERICAN HONDA MOTOR CO., INC.

Parts List

Ref.	Part Desc.	Mod.	Qty.	Part Number	Area	Org.	ColorLabel
001	MODULE, IGNITION CONTROL (CDI) N (SHINDENGEN)		001	30400-183-613	A	JPN	
002	COIL ASSY., IGNITION		001	30500-GA7-405	A	JPN	
003	CAP ASSY., NOISE SUPPRESSOR	M	001	30700-155-163	A	JPN	
004	BATTERY (YB2.5L-C)		001	31500-166-506	A	JPN	
005	CUSHION, BATTERY		001	31502-166-670	A	JPN	
006	RECTIFIER, SILICON (SHINDENGEN)		001	31710-371-008	A	JPN	
007	WIRE HARNESS		001	32100-166-670	A	JPN	
008	CASE, FUSE (7A)		001	32120-155-000	A	JPN	
009	BAND, CABLE		001	32161-399-000	A	JPN	
010	BULB, DASH (12V3.4W) (IMASEN)		003	34902-259-000	A	JPN	
011	BULB, DASH (12V1.7W) (STANLEY)		001	34902-463-711	A	JPN	
012	RELAY ASSY., WINKE		001	38300-415-P00	A	JPN	
013	SUSPENSION, TURN SIGNAL RELAY		001	38306-KB4-010	A	JPN	
014	CLIP, CABLE		001	50402-183-000	A	JPN	
015	HOLDER, IGNITION CONTROL MODULE		001	50412-183-000	A	JPN	

American Honda Motor Co., Inc.

Illustration: WIRE HARNESS @ IGNITION COIL @ BATTERY (F 23)

MOTORCYCLE,-----,MB5,1982

Parts List

Ref.	Part Desc.	Mod.	Qty.	Part Number	Area	Org.	ColorLabel
016	RUBBER, MAINTENANCE BOX MOUNTING		001	50416-166-000	A	JPN	
017	BAND, TOOL SETTING		001	50419-166-000	A	JPN	
018	BOX, TOOL		001	50425-183-000	A	JPN	
019	STAY, OIL TANK		001	55101-183-000	A	JPN	
020	MARK B, OIL CAUTION		001	87508-183-610	A	JPN	
021	BOLT, HEX. (5X16)		002	92101-05016-0H	A	JPN	
022	WASHER, PLAIN (5MM)		002	94101-05800	A	JPN	
023	BULK HOSE, VACUUM (4.5X1000)		001	95005-45001-30M	A	JPN	
024	BULK HOSE, VACUUM (4.5X1000)		001	95005-45001-30M	A	JPN	
0							
025	BAND B2, BATTERY		001	95012-13001	A	JPN	
026	BAND A3, CABLE		001	95014-61300	A	JPN	
027	BOLT, FLANGE (6X16)		001	95701-06016-08	A	JPN	
028	FUSE A (7A)		002	98200-10700	A	JPN	